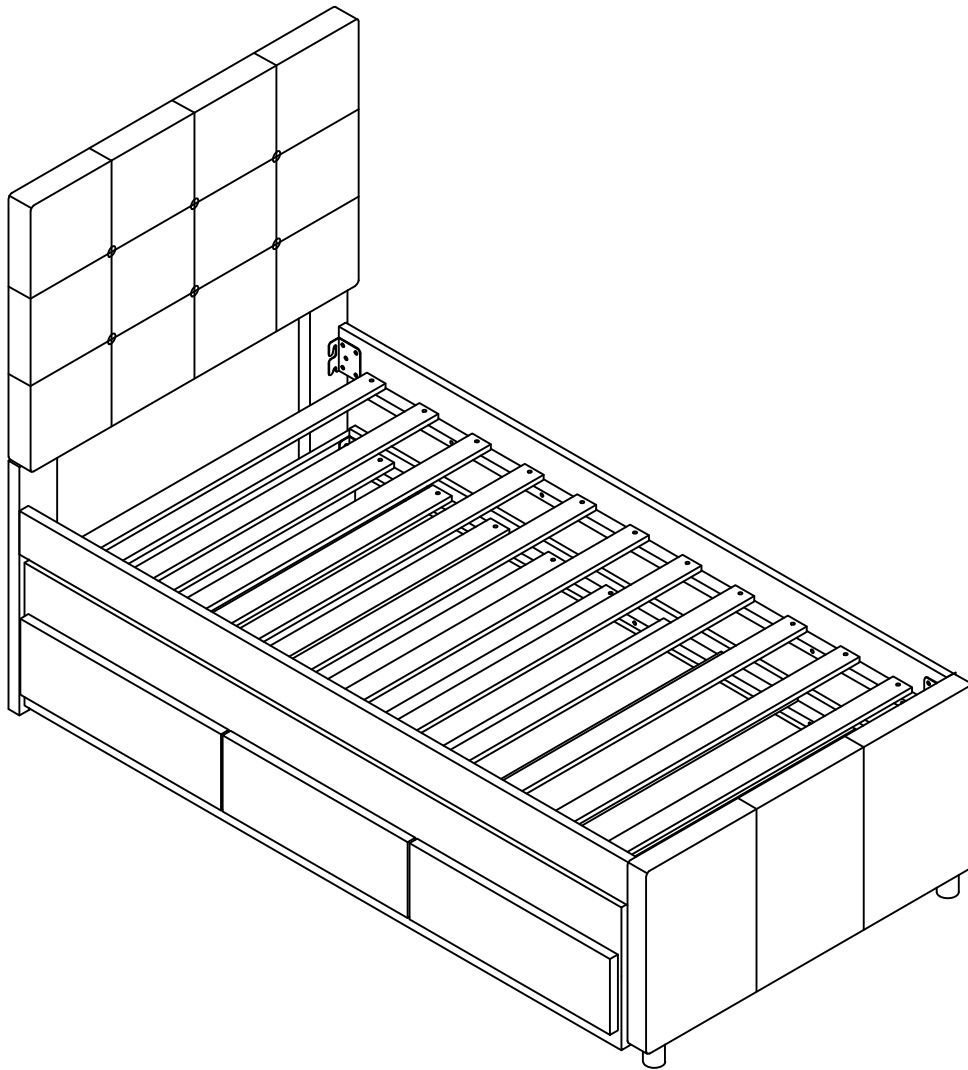


ASSEMBLY INSTRUCTIONS

WF 302056/ WF 302057



IMPORTANT NOTE

****PLACE ALL PARTS ON A CLEAN AND SMOOTH SURFACE SUCH AS A RUG OR CARPET TO AVOID THE PARTS FROM BEING SCRATCHED**

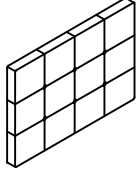

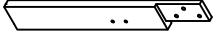
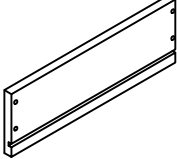
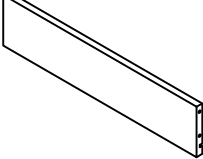
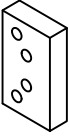
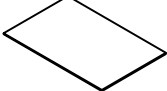
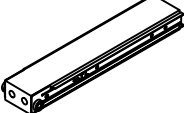
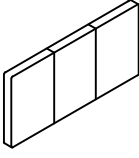
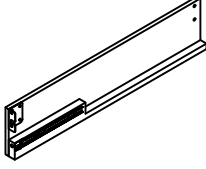
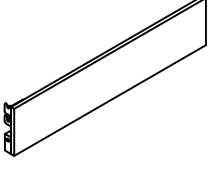
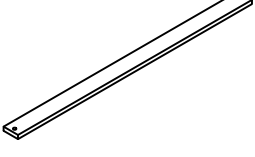
**** BEFORE YOU BEGIN , KINDY FOLLOW THE ASSEMBLY INSTRUCTIONS STEP BY STEP**

****DO NOT TIGHTEN ALL SCREWS AND BOLTS UNTIL THE BED IS FULLY SET-UP**

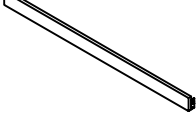

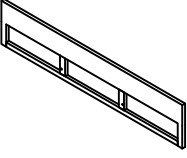
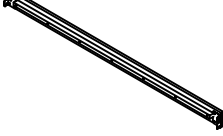
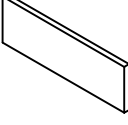



ASSEMBLY INSTRUCTIONS

WF 302056/ WF 302057

PART LIST BOX 1: WF 302056

<p>1</p>  <p>Headboard (1 pcs)</p>	<p>2</p>  <p>Left Headboard Leg (1 pcs)</p>	<p>3</p>  <p>Right Headboard Leg (1 pcs)</p>
<p>4</p>  <p>Side Pull Box (6 pcs)</p>	<p>5</p>  <p>Back Panel Pull Box (3 pcs)</p>	<p>6</p>  <p>Stand in Pull Box (6 pcs)</p>
<p>7</p>  <p>Pull Box Bottom Board (3 pcs)</p>	<p>8</p>  <p>Wheel Board (2 pcs)</p>	<p>9</p>  <p>Footboard (1 pcs)</p>
<p>10</p>  <p>Left Trundle End Panel (1 pc)</p>	<p>11</p>  <p>Right Trundle End Panel (1 pc)</p>	<p>12</p>  <p>Roll Slat (20 pcs) 985*60*15</p>


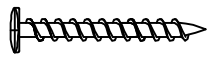
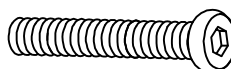
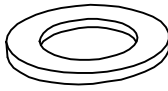
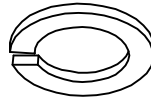

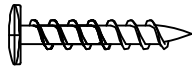
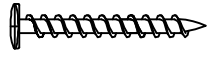
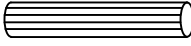


PART LIST BOX 1: WF 302057

<p>13</p>  <p>Left Lower Rail (1 pc)</p>	<p>14</p>  <p>Right Lower Rail (1pc)</p>	<p>15</p>  <p>Front Panel Trundle (1 pc)</p>
<p>16</p>  <p>Back Panel Trundle (1 pc)</p>	<p>17</p>  <p>Pull Box Bottom Board (3pcs)</p>	<p>18</p>  <p>Side Pull Box (1 pc)</p>
<p>19</p>  <p>Leg (2 pcs)</p>	<p>20</p>  <p>(m59x42mmx66mm) Wheels (4 pcs)</p>	

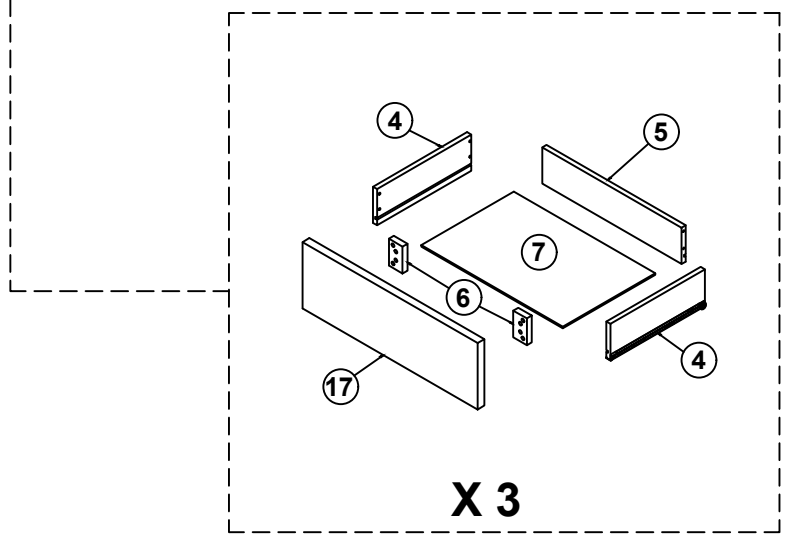
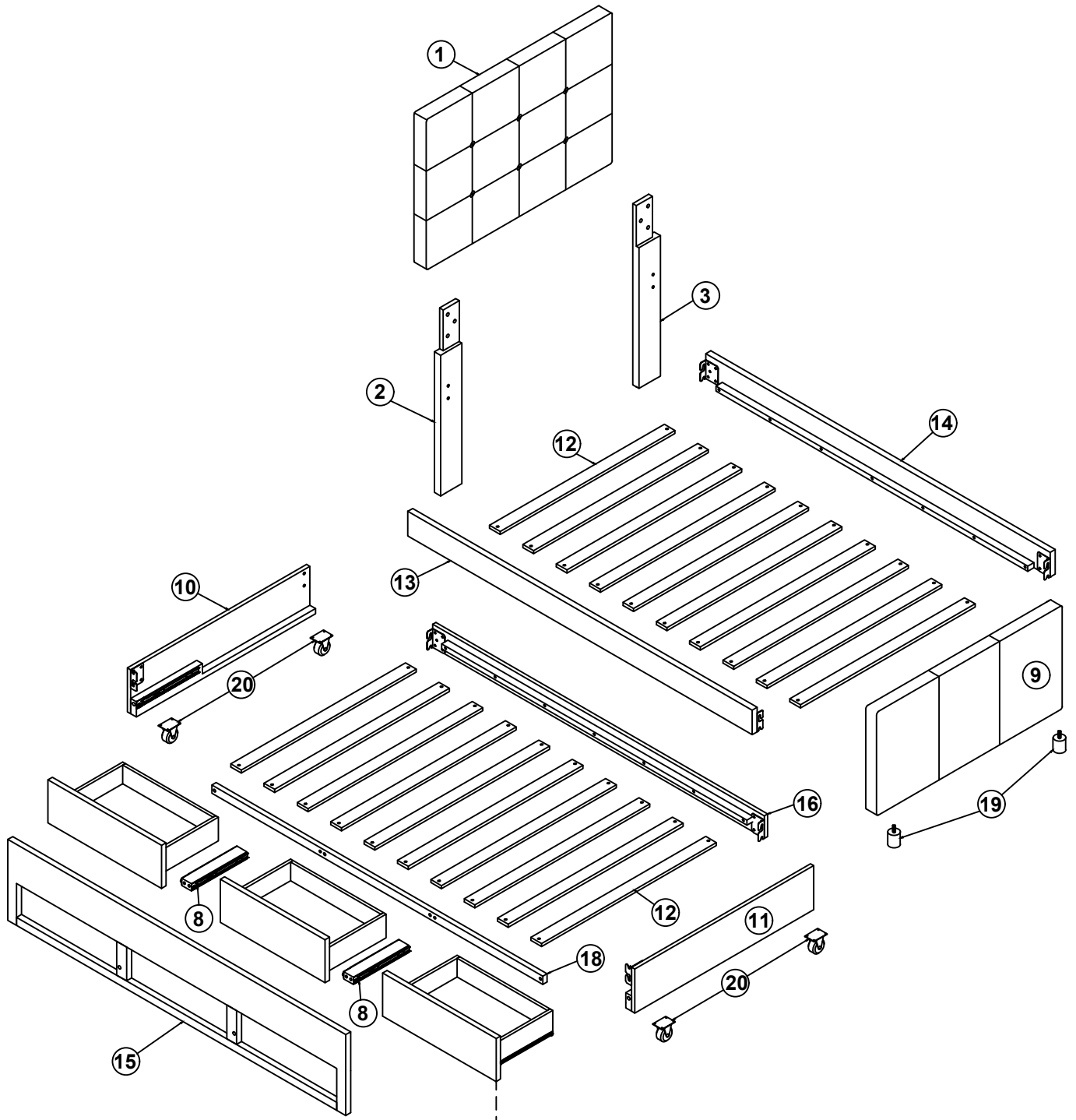
ASSEMBLY INSTRUCTIONS

WF 302056/ WF 302057

HARDWARE LIST IN WF 302057

A  (Ø 5/16 "X20mm) Short Bolt (16pcs)	B  (m4x30mm-RBW) Flat Head Screw (52 pcs)	C  (Ø 5/16 "X45mm) Long Bolt (8 pcs)
D  (Ø 5/16 "-RBW) Flat Washer (30 pcs)	E  (Ø 5/16 "-RBW) Spring Washer (30 pcs)	F  (M4x75mm x32mm) Allen Wrench (1 pc)
G  (m4x20mm-RBW) Flat Head Screw (16 pcs)	H  (m4x38mm-RBW) Flat Head Screw (24 pcs)	I  (Ø 10 X 40mm) Wood dowel (4 pcs)
J  (Ø 5/16 "X38mm) Long Bolt (6 pcs)	K  (Ø10x10mm x10mm) Plastic Button (24 pcs)	

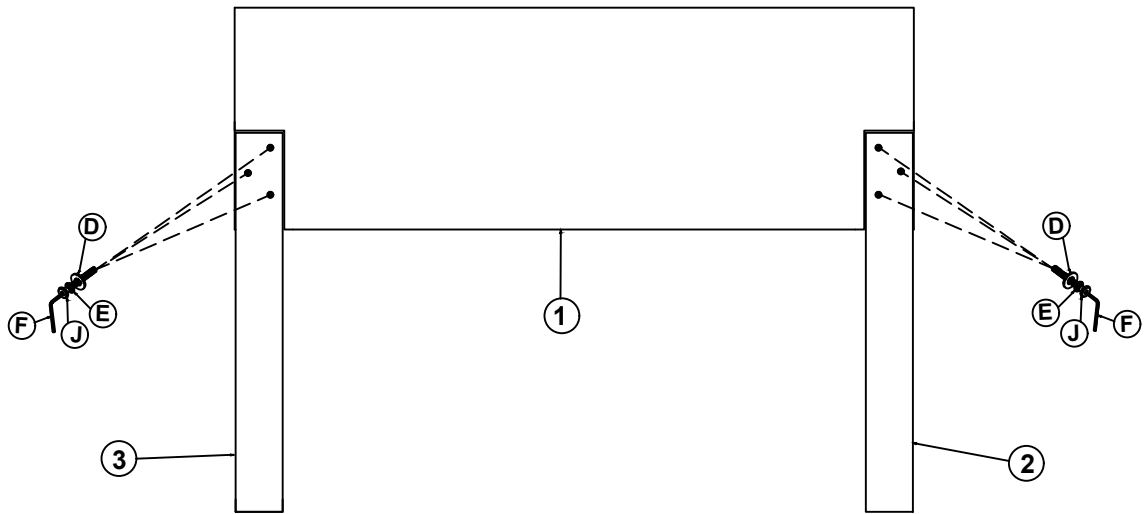
Exploded View







X 3

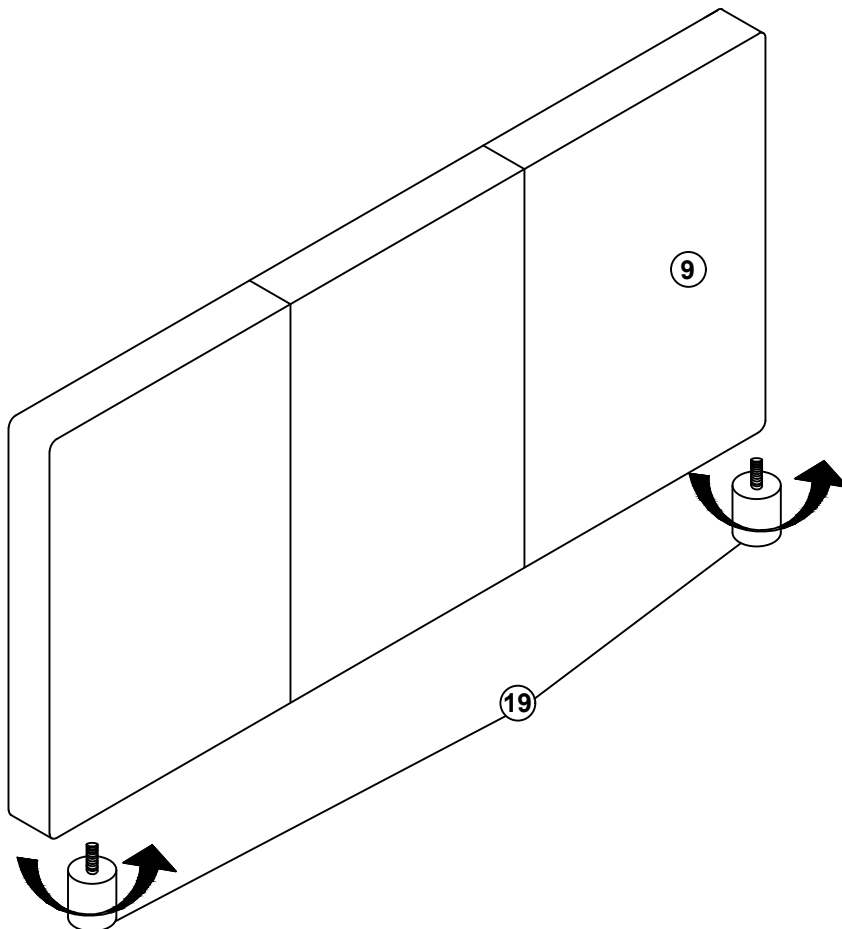
ASSEMBLY INSTRUCTIONS

STEP 1



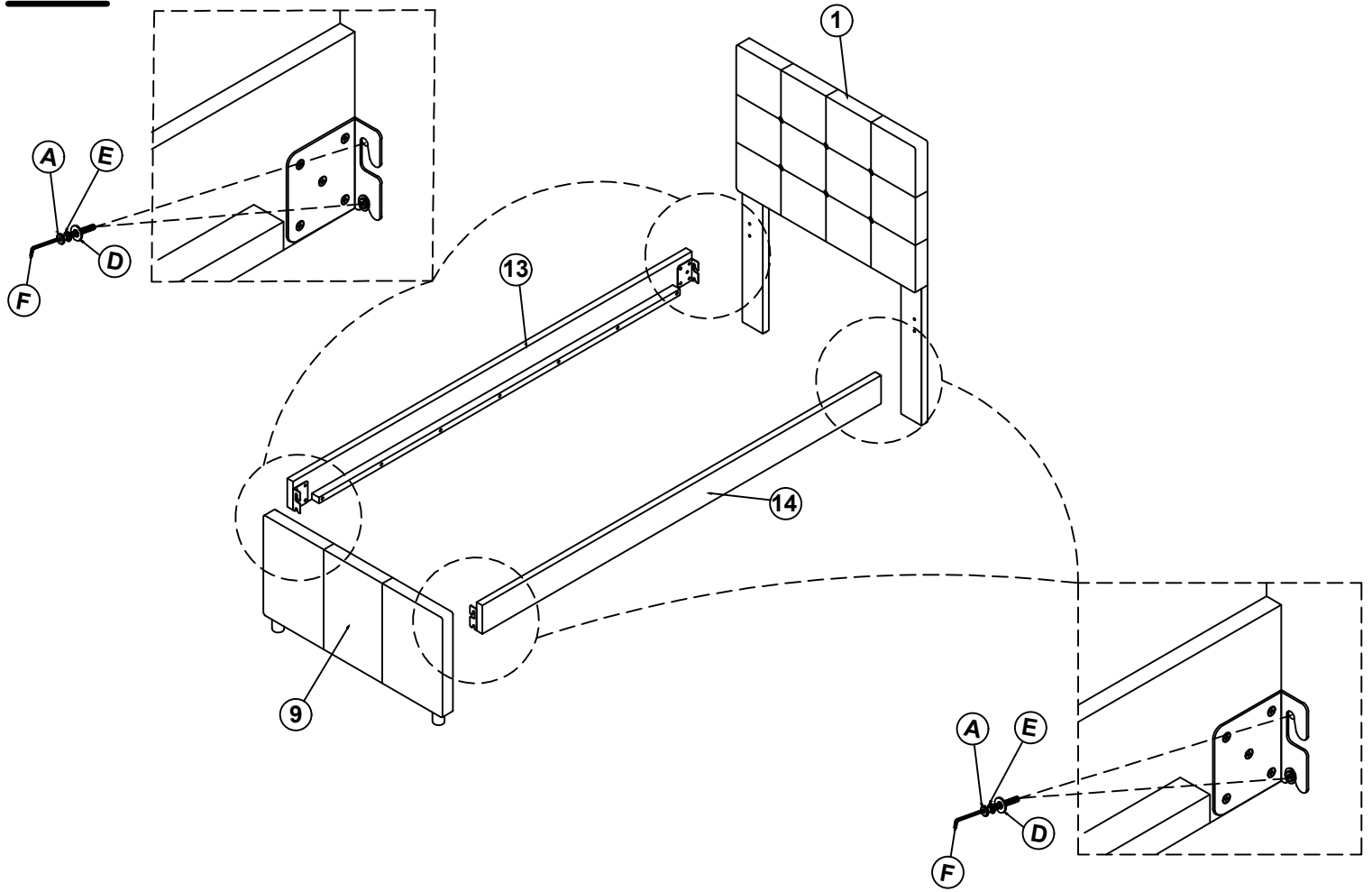
J	Bolt (Ø 5/16 "X38mm)		6pcs	D	Flat Washer (Ø 5/16 "-RBW)		6pcs
E	Spring Washer (Ø 5/16 "-RBW)		6pcs	F	Allen Wrench (M4x75mm x32mm)		1pc





STEP 2



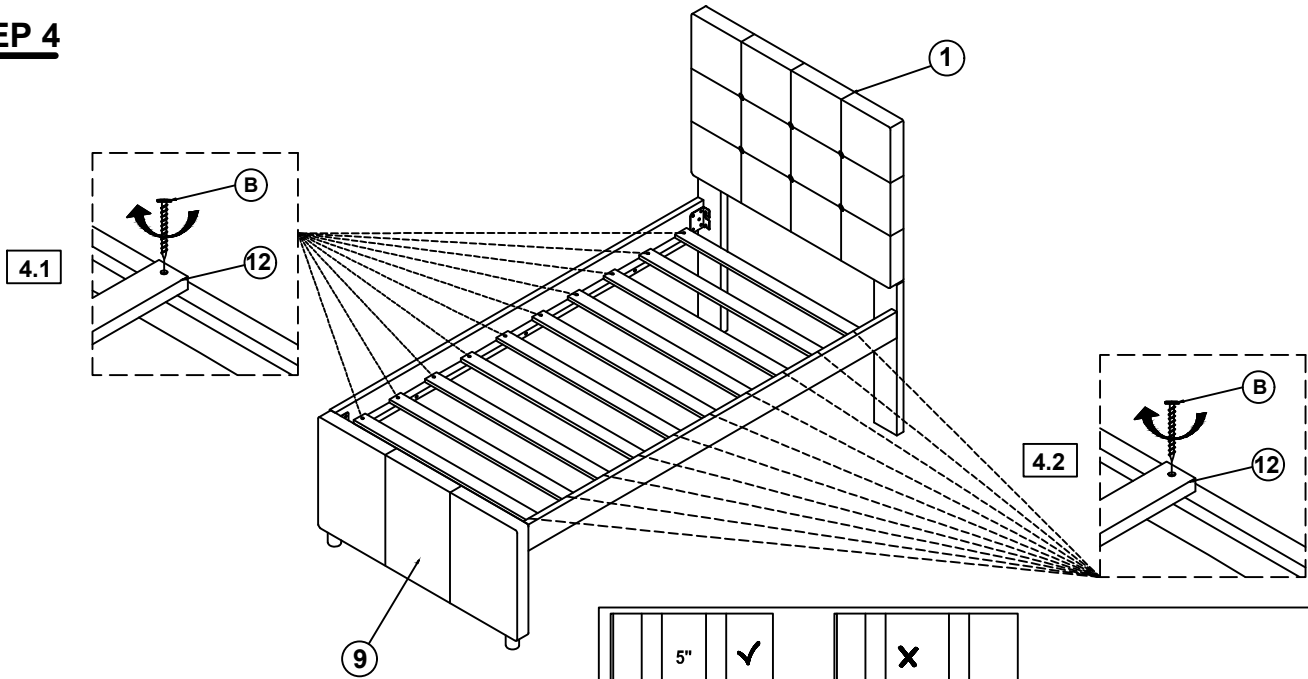
ASSEMBLY INSTRUCTIONS

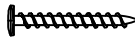
STEP 3



A	Bolt (Ø 5/16 "X20mm)		8pcs	D	Flat Washer (Ø 5/16 " -RBW)		8pcs
E	Spring Washer (Ø 5/16 " -RBW)		8pcs	F	Allen Wrench (M4x75mm x32mm)		1pc

STEP 4



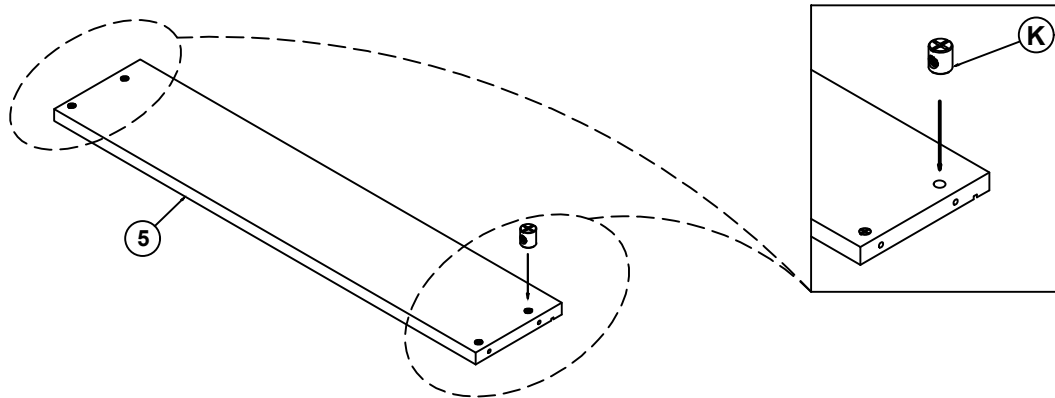
B	Flat Head Screw (m4x30mm-RBW)		20pcs
---	-----------------------------------------	-------------------------------------------------------------------------------------	-------

NOTE: Do not lock the screws of the trundle slats to the utermost edge the trundle slats,you need to leave a certain space at the edges, otherwise it will cause the board to break.

ASSEMBLY INSTRUCTIONS

STEP 5

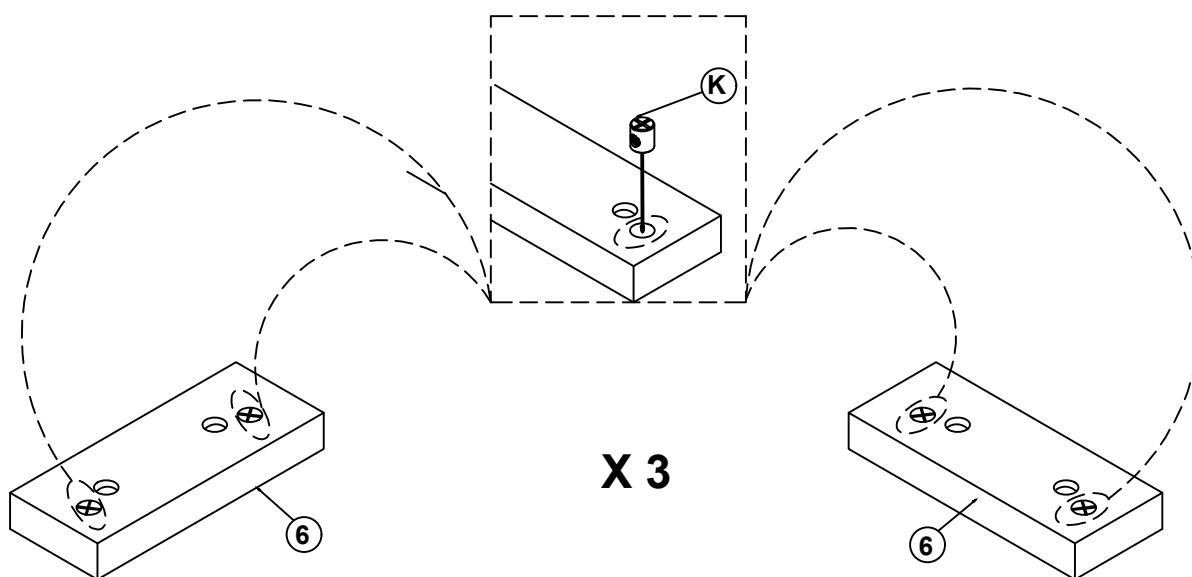
X 3



K	Plastic Button (Ø10x10mmx10mm)		12pcs
---	-----------------------------------	-----------------------------------------------------------------------------------	-------

STEP 6

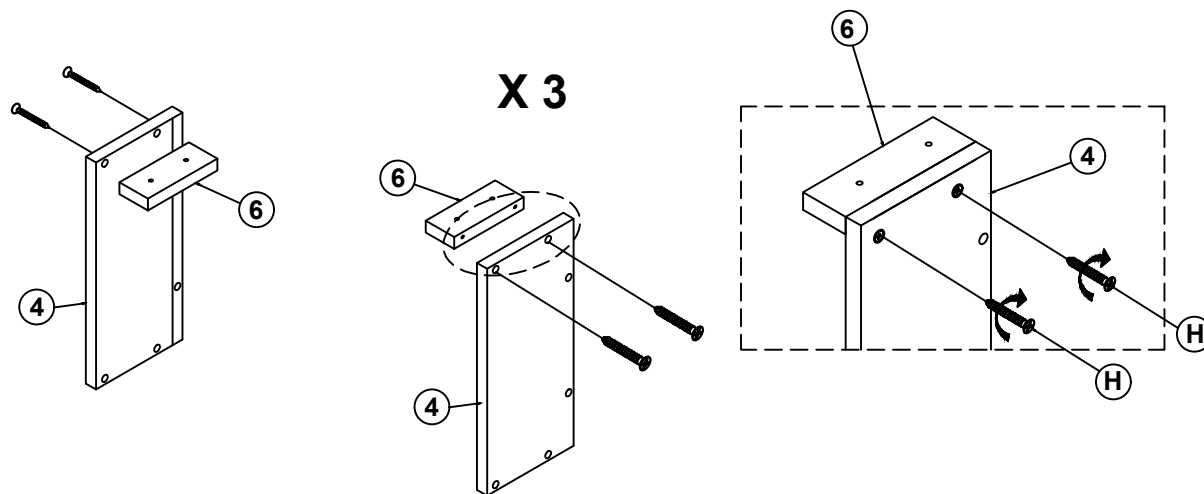
X 3

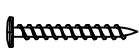


K	Plastic Button (Ø10x10mmx10mm)		12pcs
---	-----------------------------------	-------------------------------------------------------------------------------------	-------

STEP 7

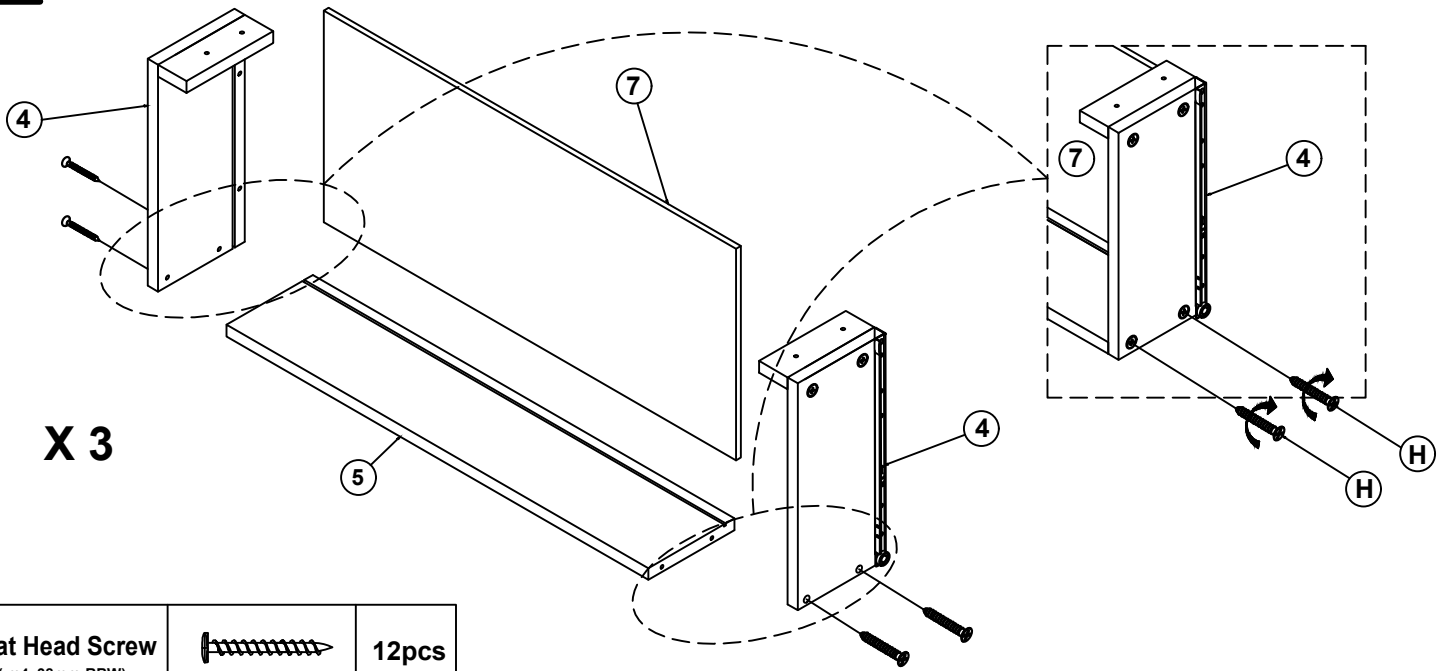
X 3

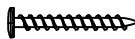


H	Flat Head Screw (m4x38mm-RBW)		12pcs
---	----------------------------------	-------------------------------------------------------------------------------------	-------

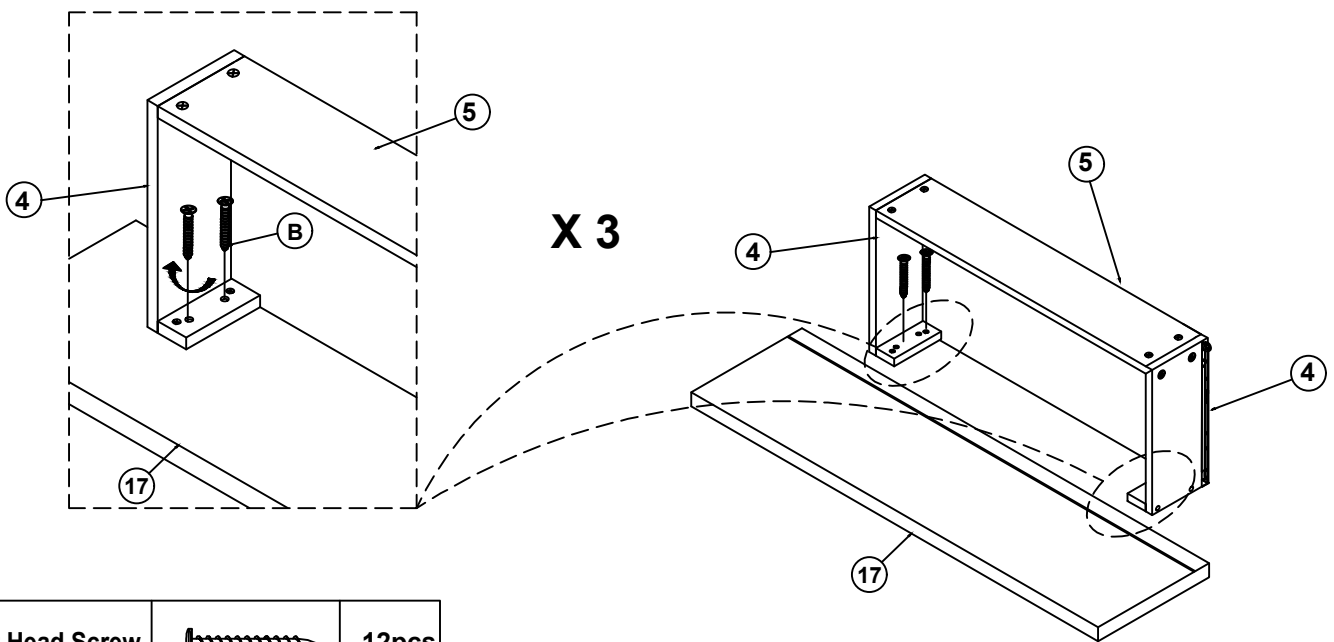
ASSEMBLY INSTRUCTIONS

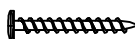
STEP 8



H	Flat Head Screw (m4x38mm-RBW)		12pcs
---	----------------------------------	-----------------------------------------------------------------------------------	-------

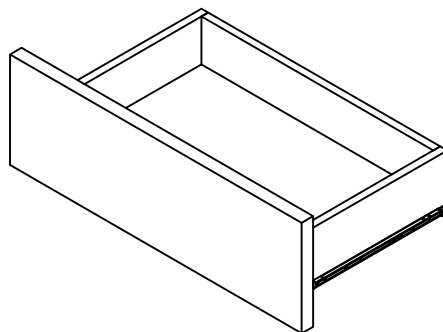
STEP 9



B	Flat Head Screw (m4x30mm-RBW)		12pcs
---	----------------------------------	-------------------------------------------------------------------------------------	-------

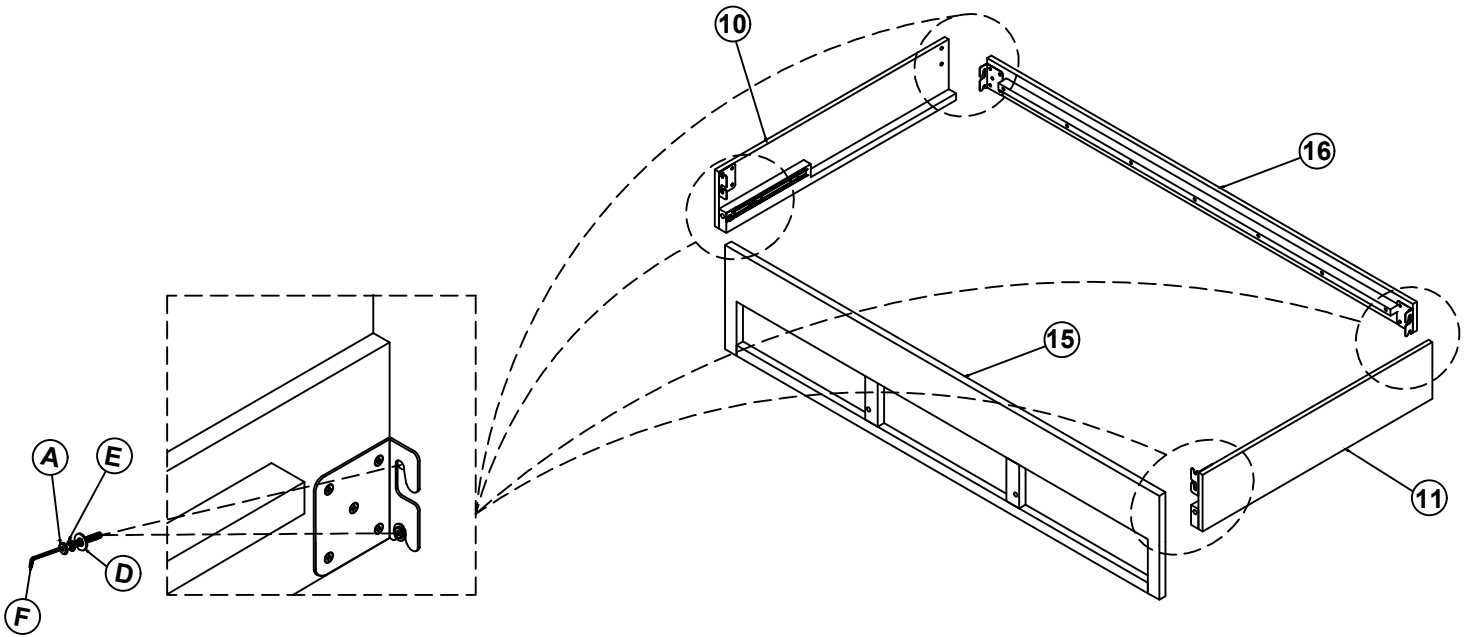
STEP 10





COMPLETE PULL BOX



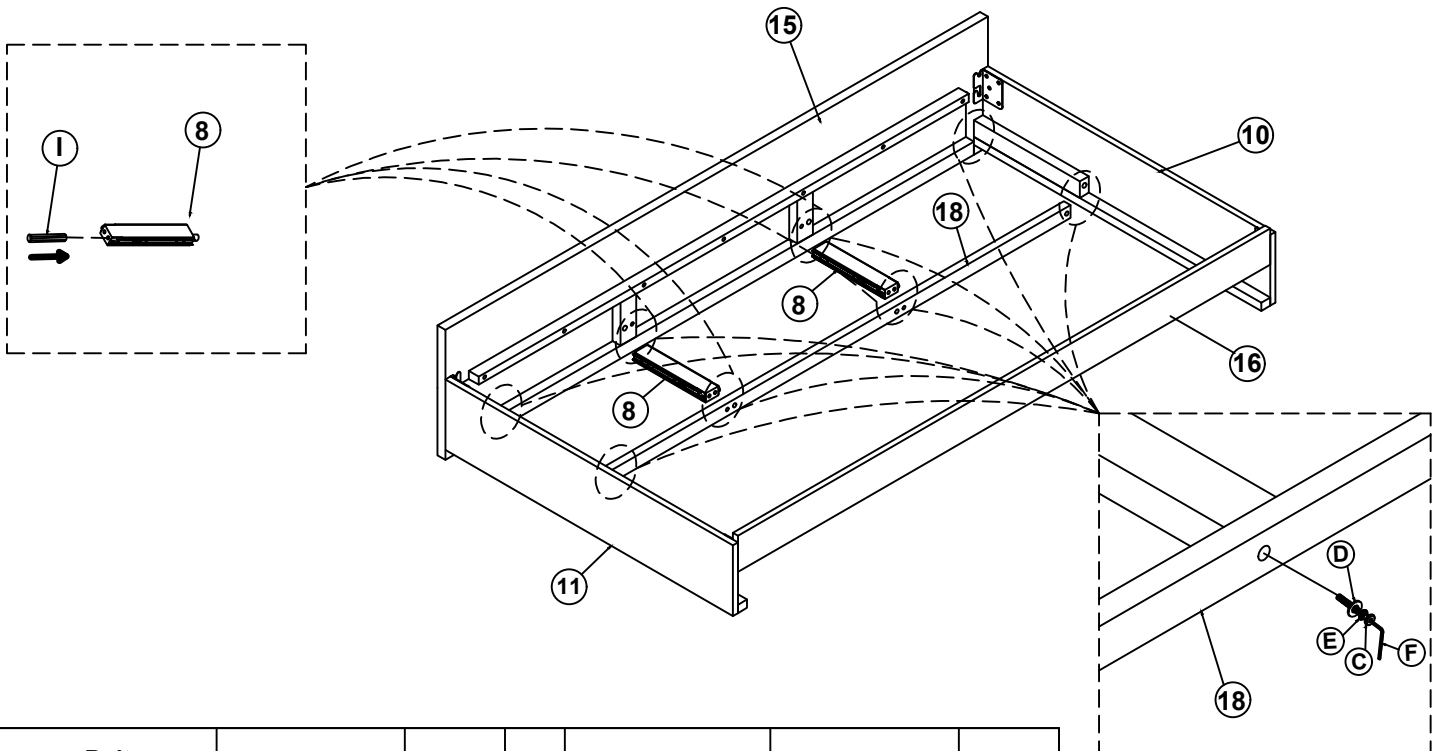
ASSEMBLY INSTRUCTIONS





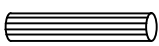
STEP 11



A	Bolt (Ø 5/16 "X20mm)		8pcs	D	Flat Washer (Ø 5/16 "-RBW)		8pcs
E	Spring Washer (Ø 5/16 "-RBW)		8pcs	F	Allen Wrench (M4x75mm x32mm)		1pc

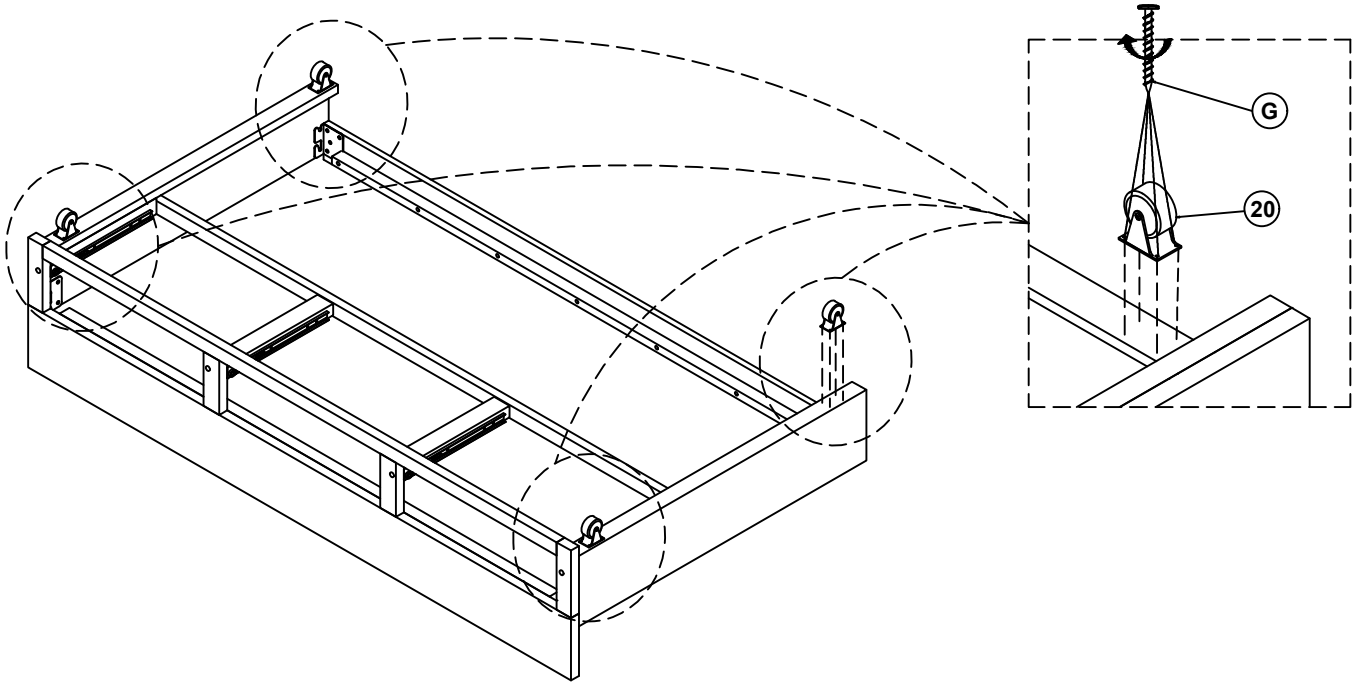
STEP 12



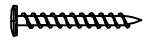
C	Bolt (Ø 5/16 "X45mm)		8pcs	D	Flat Washer (Ø 5/16 "-RBW)		8pcs
E	Spring Washer (Ø 5/16 "-RBW)		8pcs	F	Allen Wrench (M4x75mm x32mm)		1pc
I	Wood dowel (Ø 10 X 40mm)		4pcs				

ASSEMBLY INSTRUCTIONS

STEP 13

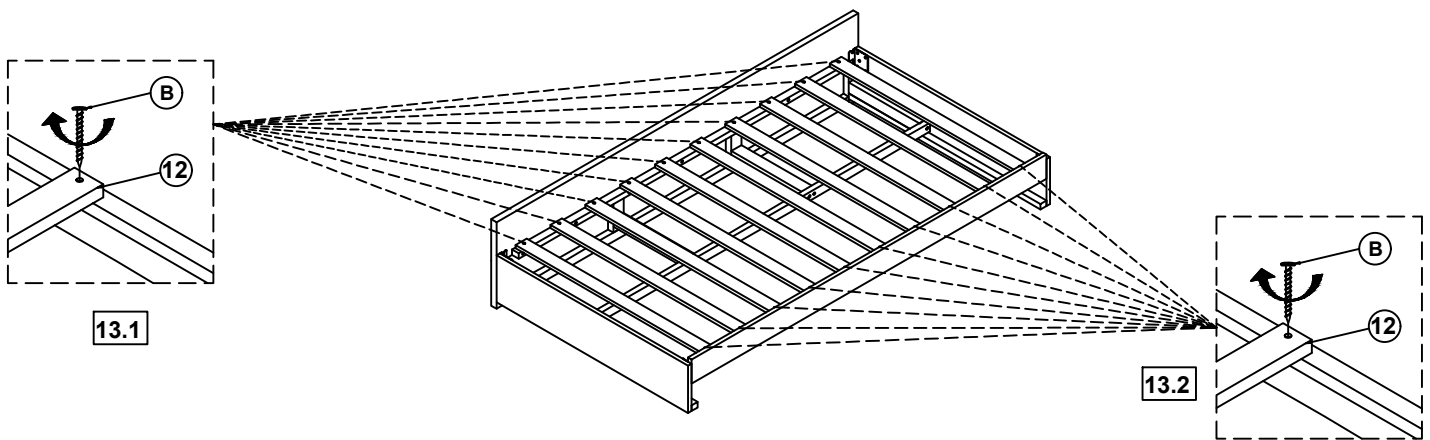


G Flat Head Screw
(m4x20mm-RBW)



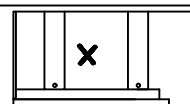
16pcs

STEP 14



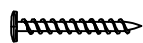
13.1

13.2



NOTE: Do not lock the screws of the trundle slats to the utermost edge the trundle slats, you need to leave a certain space at the edges, otherwise it will cause the board to break.

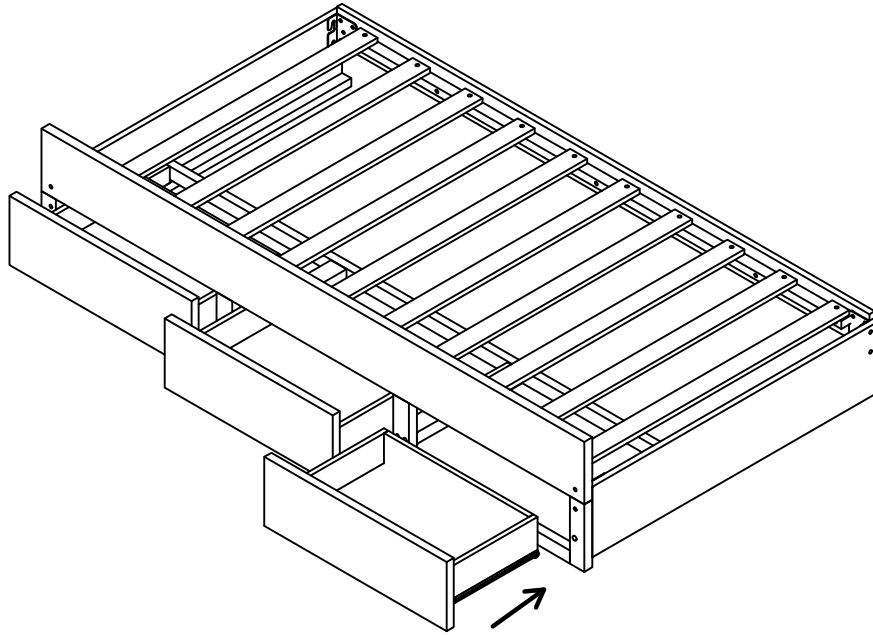
B Flat Head Screw
(m4x30mm-RBW)



20pcs

ASSEMBLY INSTRUCTIONS

STEP 15



STEP 16 COMPLETE

