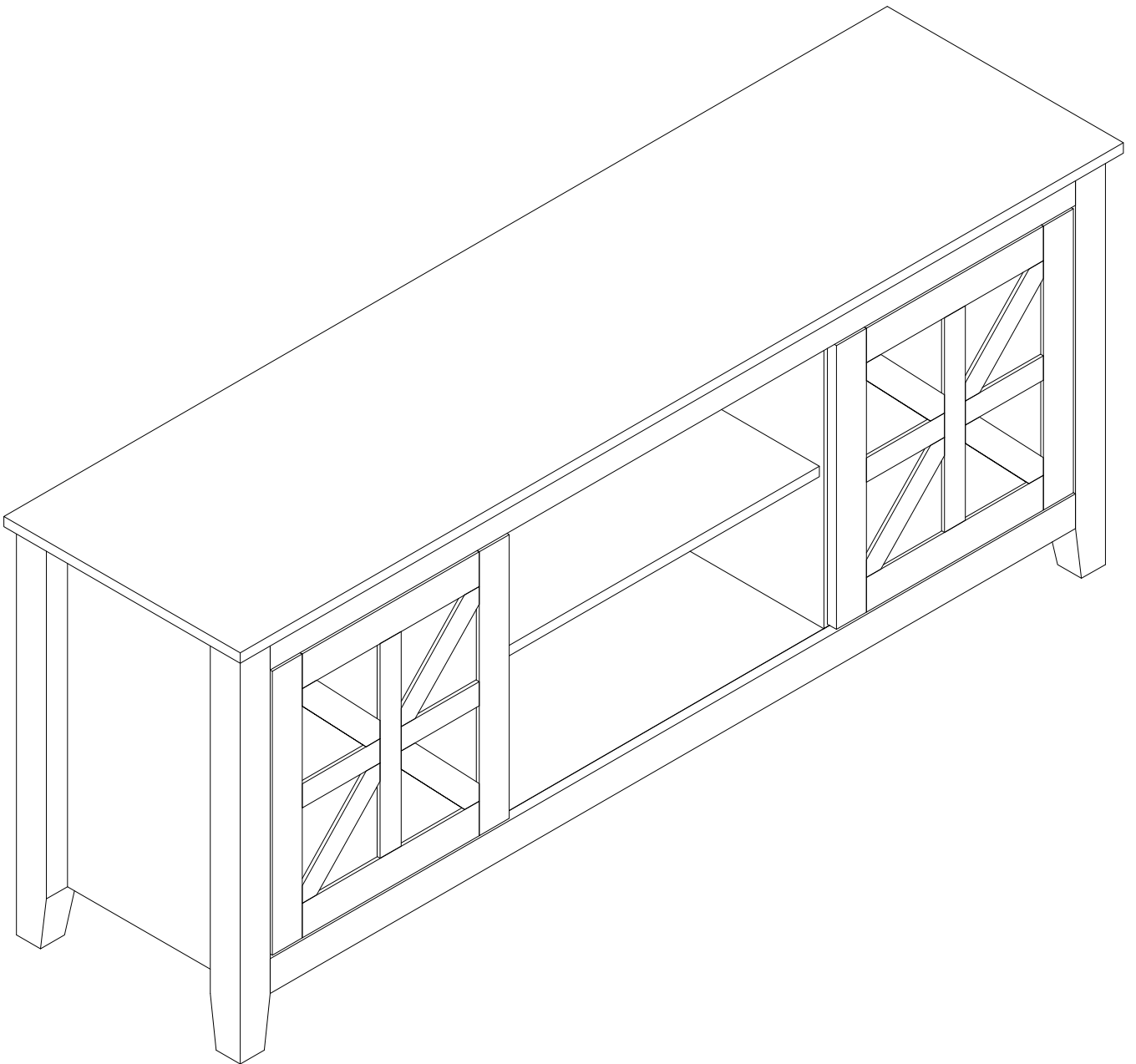


ASSEMBLY INSTRUCTION



WARNING

Serious or fatal crushing injuries can occur from furniture tip-over. To help prevent tip-over.

- Place heaviest items in the lowest drawers.
- Do not set TVs or other heavy objects on the top of this product.
- Never allow children to climb or hang on drawer, door, or shelves.
- Never open more than one drawer at a time.
- Use of tip-over restraints, only reduces, but does not eliminate, the risk of tip-over.
- Never open more than one drawer at a time.

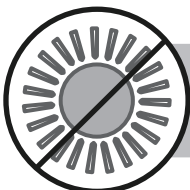
MAINTENANCE TIPS



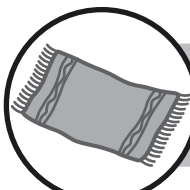
Avoid liquid spraying or infiltrating on the product surface.



Never use chemical cleaning products. They can damage the finish. For cleaning, use only a slightly damp cloth and wipe dry.



To avoid dulling of finish, do not place furniture in direct sunlight.



Do not put plastic or rubber rings under appliances. Use cloth or felt protectors.



To clean, use a soft or slightly damp cloth, then wipe with a clean, dry cloth.



Sicherheitshinweise

Schwere oder tödliche Quetschverletzungen können durch Umkippen von Möbeln auftreten. Um ein Umkippen zu verhindern.

- Lege die schwersten Gegenstände in die untersten Schubladen.
- Legen Sie keine Überlastungsobjekte auf die Oberseite dieses Produkts.
- Lassen Sie Kinder niemals klettern oder an Schubladen, Tür oder Regale hängen.
- Öffnen Sie niemals mehr als eine Schublade gleichzeitig.
- Das Umkippen der Rückhalteeinrichtung eliminiert nicht das Risiko eines Umkippens.
- Öffnen Sie niemals mehr als eine Schublade gleichzeitig.

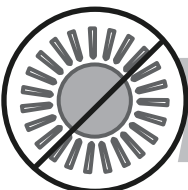
WARTUNGSTIPPE



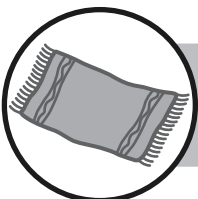
Vermeiden Sie das Versprühen oder Eindringen von Flüssigkeiten auf die Produktoberfläche.



Verwenden Sie keine chemischen Reinigungsmittel. Sie können das Produkt beschädigen und müssen nach Abschluss der Reinigung nur mit einem leicht feuchten Tuch trocken abgewischt werden.



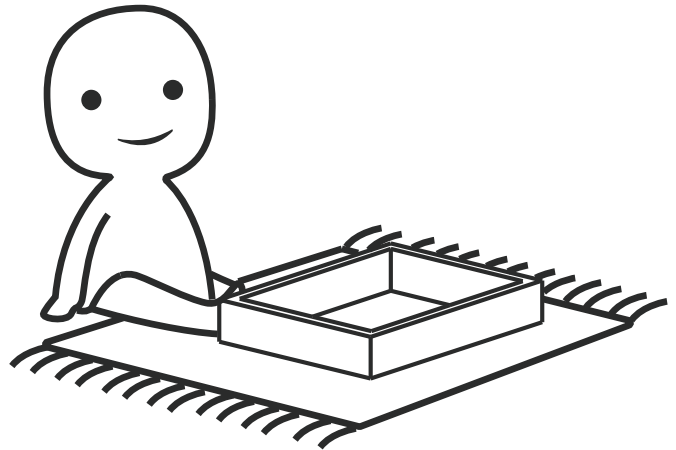
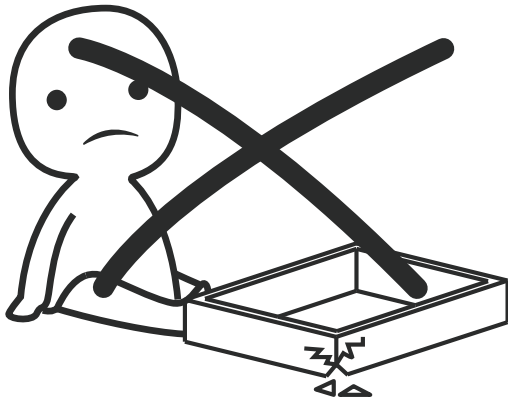
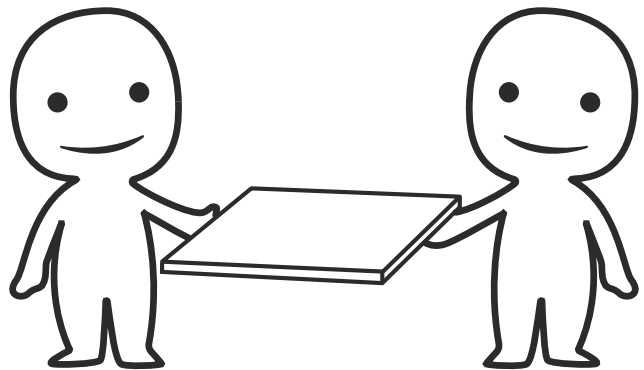
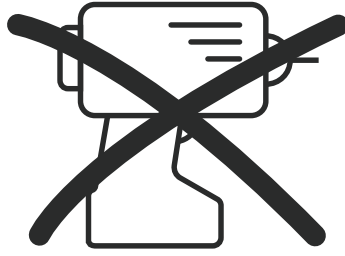
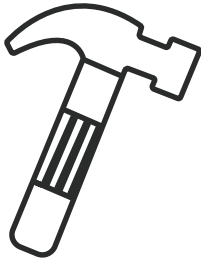
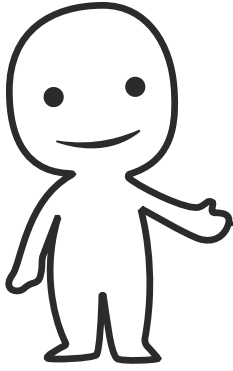
Um ein stumpfes Finish zu vermeiden, stellen Sie Furniture nicht in direktes Sonnenlicht.



Legen Sie keine Kunststoff- oder Gummiringe unter Geräte. Verwenden Sie ein Tuch aus Filzschutz.



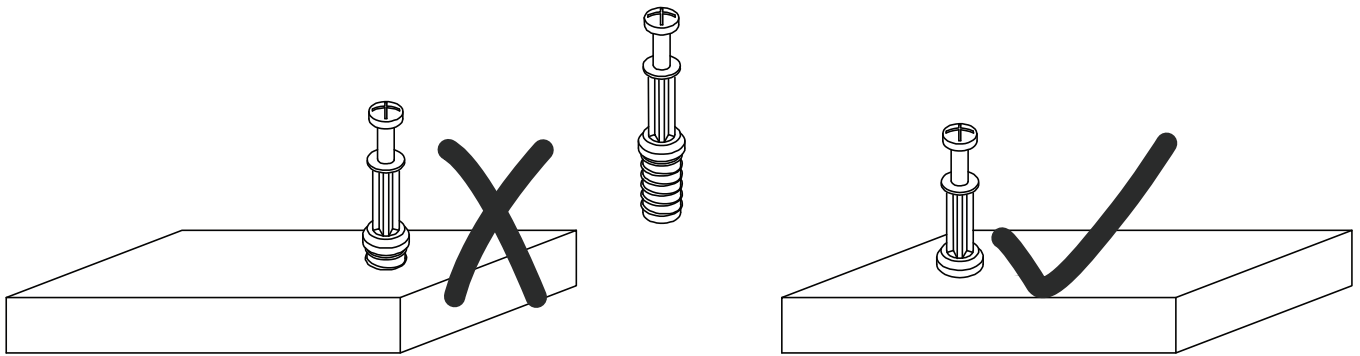
Verwenden Sie ein weiches oder leicht feuchtes Tuch, wischen Sie es mit einem sauberen, trockenen Tuch ab.



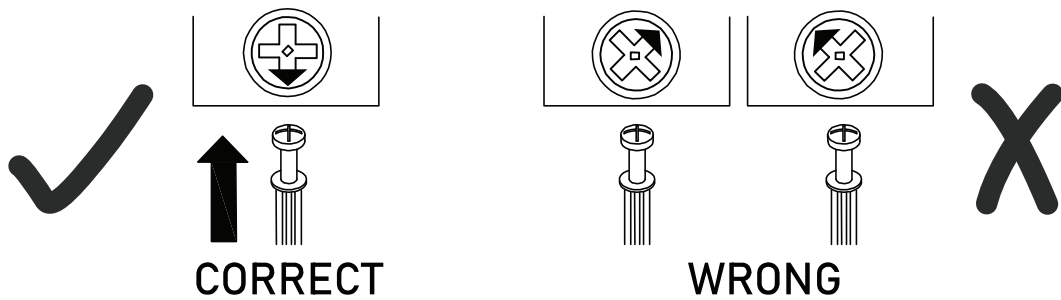
GB

Safety information

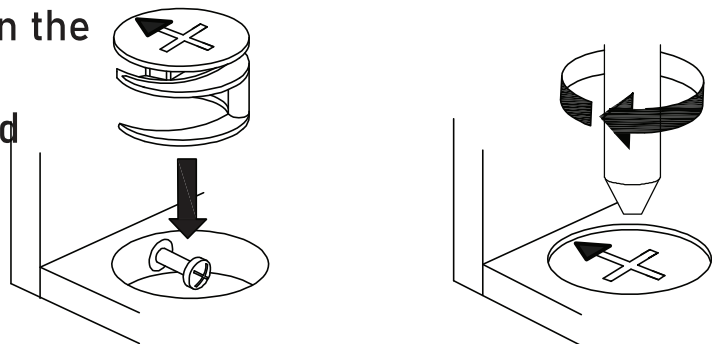
- Important information
- Please read closely and carefully
- Save this information



CAM LOCK



Quickfit head should be in the centre of the cam lock when the two panels are joined.
Cam lock should be inserted before quickfit.



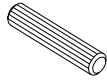
Hardware List



30 x A



30 x B



33 x C



4 x D



4 x E



12 x F



4 x G



32 x H



4 x J

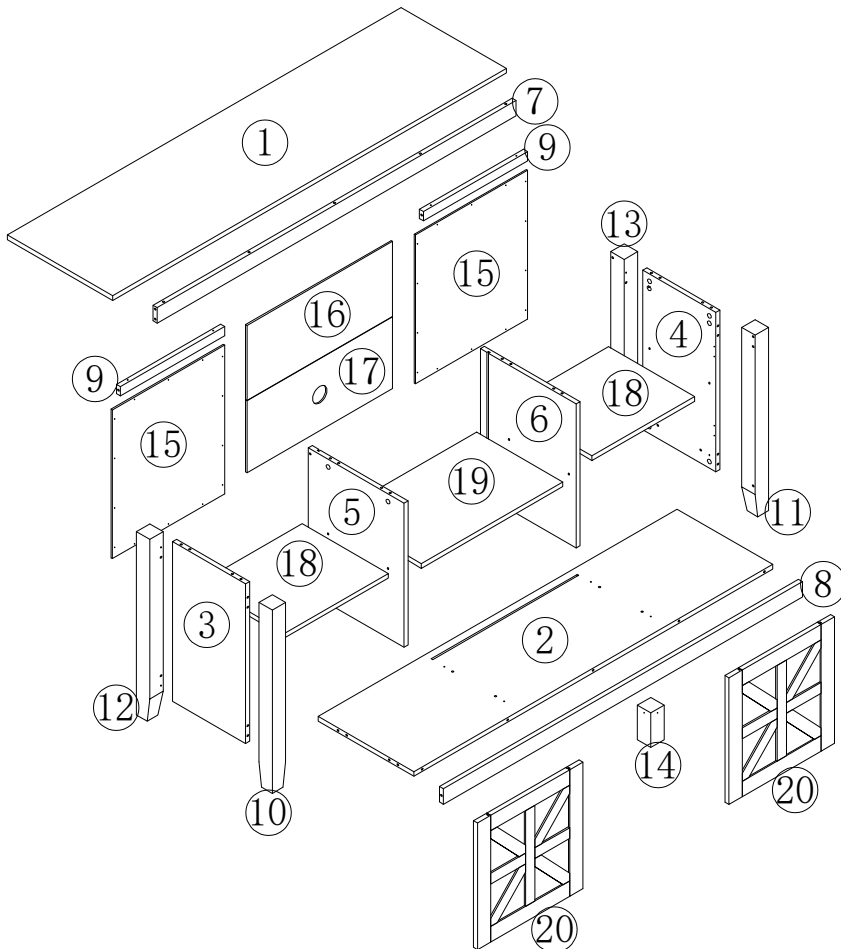


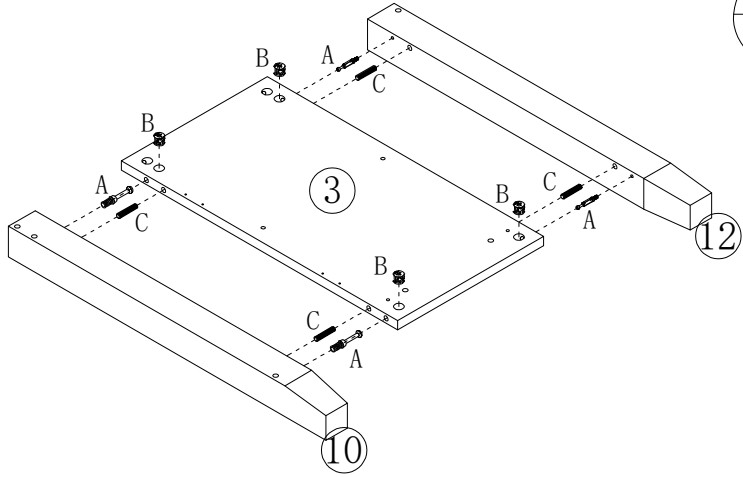
28 x K



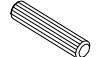


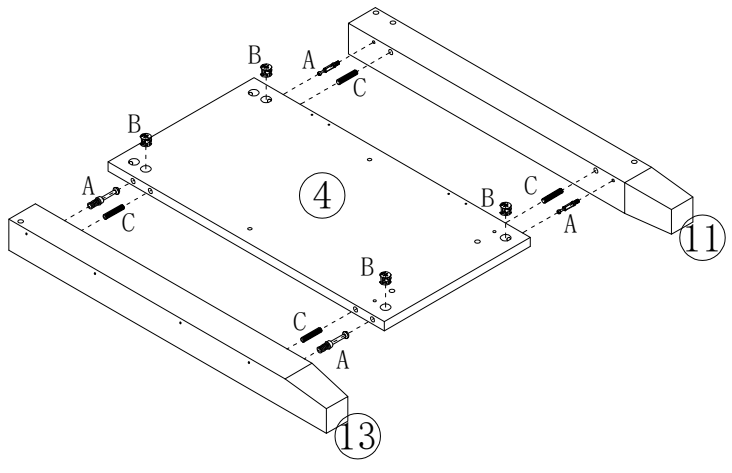
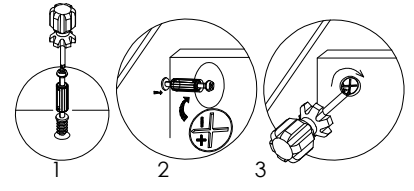
1 x L



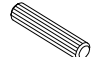
Parts List

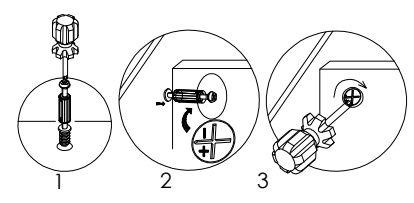


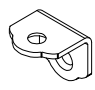



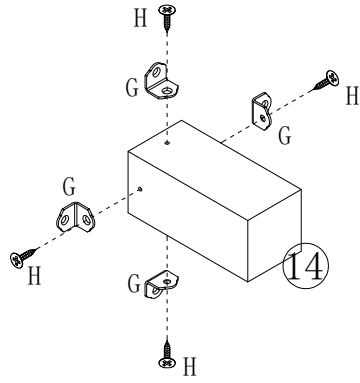
| | | |
|-----------------------------------------------------------------------------------------------------------|-----------------------------------------------------------------------------------------------------------|-----------------------------------------------------------------------------------------------------------|
| <p>A</p>  <p>4 PCS</p> | <p>B</p>  <p>4 PCS</p> | <p>C</p>  <p>4 PCS</p> |
|-----------------------------------------------------------------------------------------------------------|-----------------------------------------------------------------------------------------------------------|-----------------------------------------------------------------------------------------------------------|

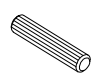



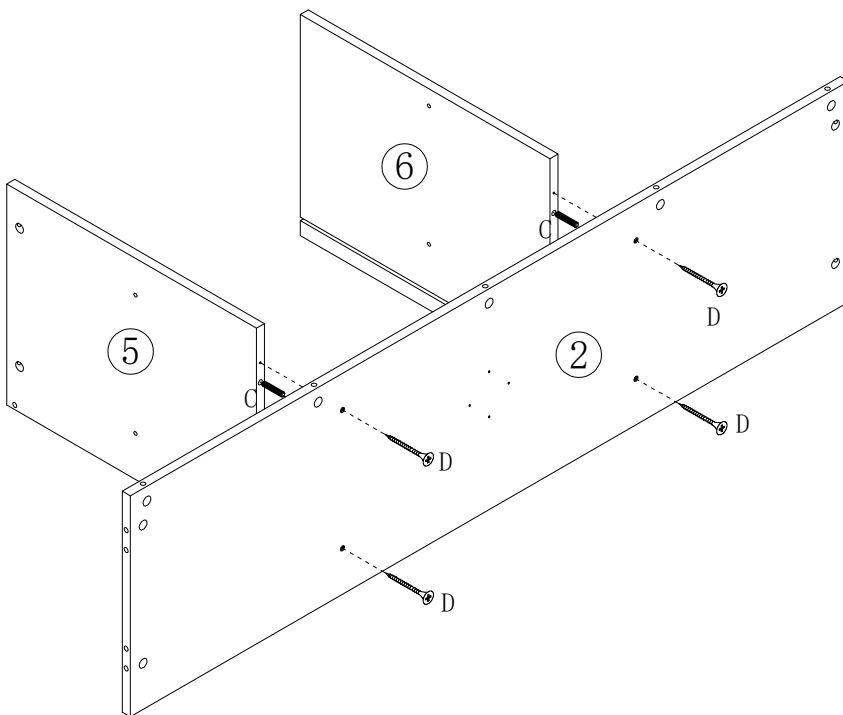
| | | |
|-------------------------------------------------------------------------------------------------------------|-------------------------------------------------------------------------------------------------------------|-------------------------------------------------------------------------------------------------------------|
| <p>A</p>  <p>4 PCS</p> | <p>B</p>  <p>4 PCS</p> | <p>C</p>  <p>4 PCS</p> |
|-------------------------------------------------------------------------------------------------------------|-------------------------------------------------------------------------------------------------------------|-------------------------------------------------------------------------------------------------------------|



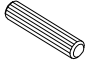



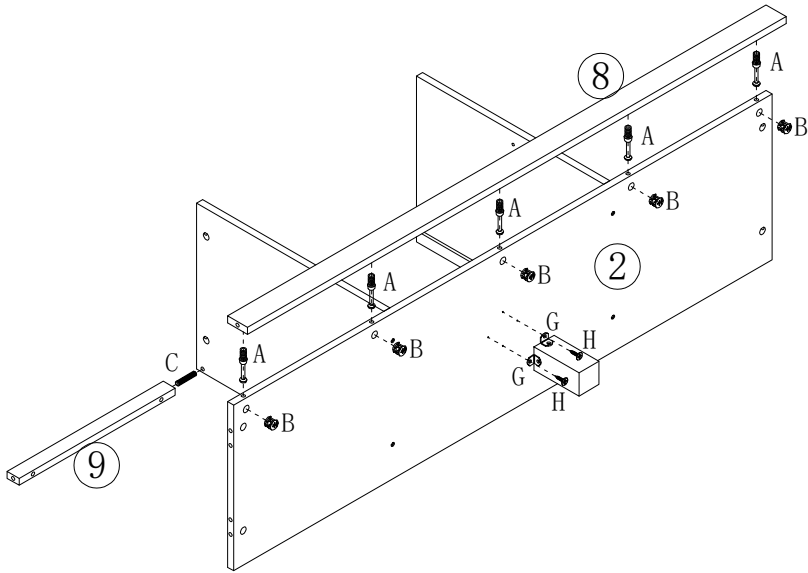
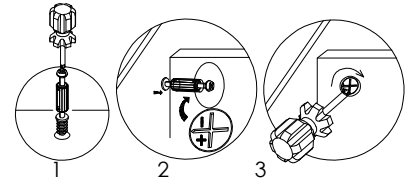
| | |
|-----------------------------------------------------------------------------------------------------------|-----------------------------------------------------------------------------------------------------------|
| <p>G</p>  <p>4 PCS</p> | <p>H</p>  <p>4 PCS</p> |
|-----------------------------------------------------------------------------------------------------------|-----------------------------------------------------------------------------------------------------------|



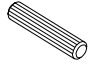


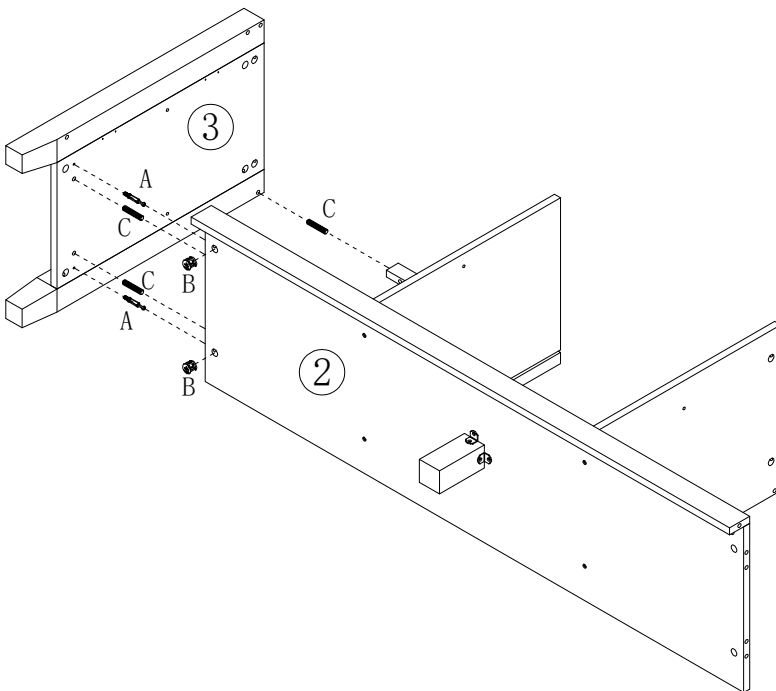
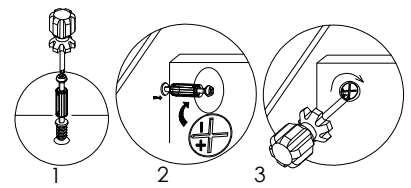
| | |
|-------------------------------------------------------------------------------------------------------------|-------------------------------------------------------------------------------------------------------------|
| <p>C</p>  <p>4 PCS</p> | <p>D</p>  <p>4 PCS</p> |
|-------------------------------------------------------------------------------------------------------------|-------------------------------------------------------------------------------------------------------------|

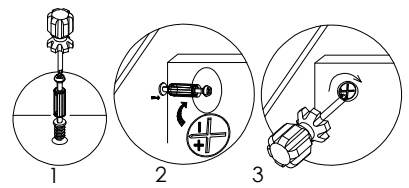
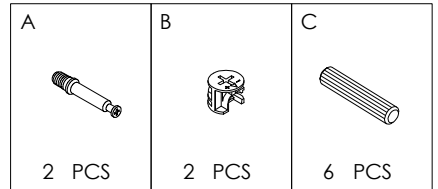
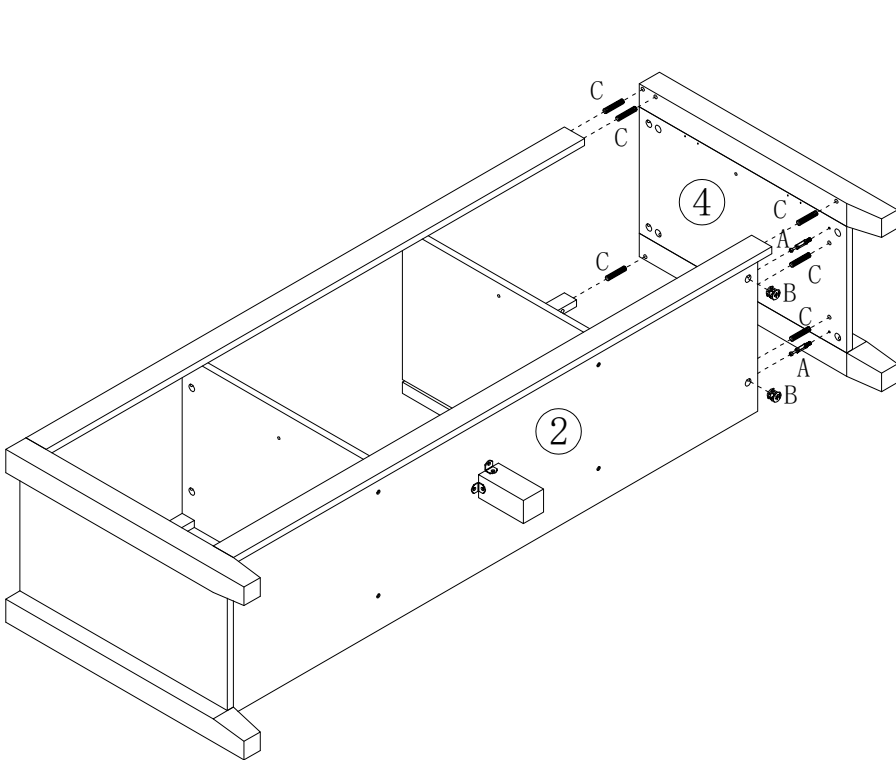
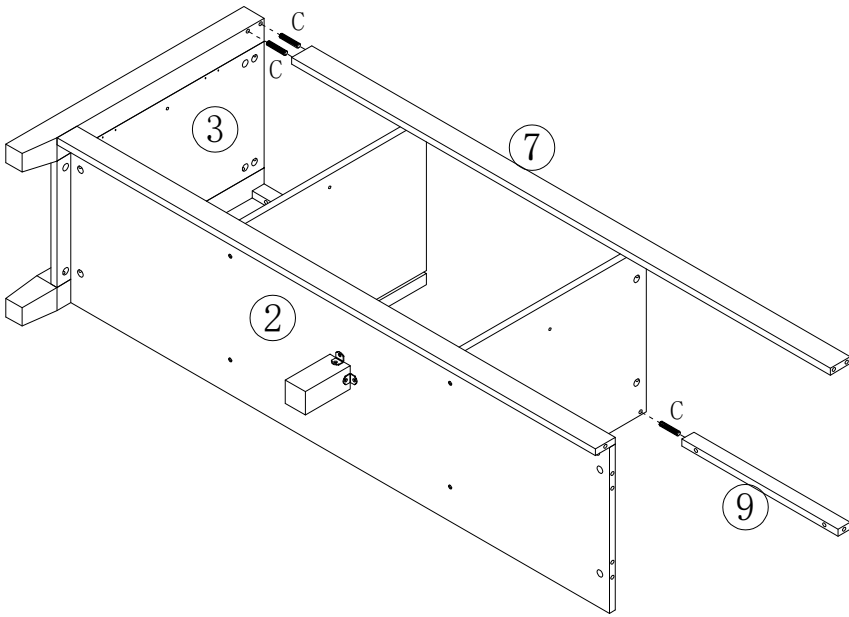
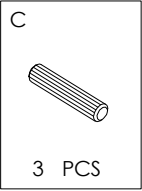


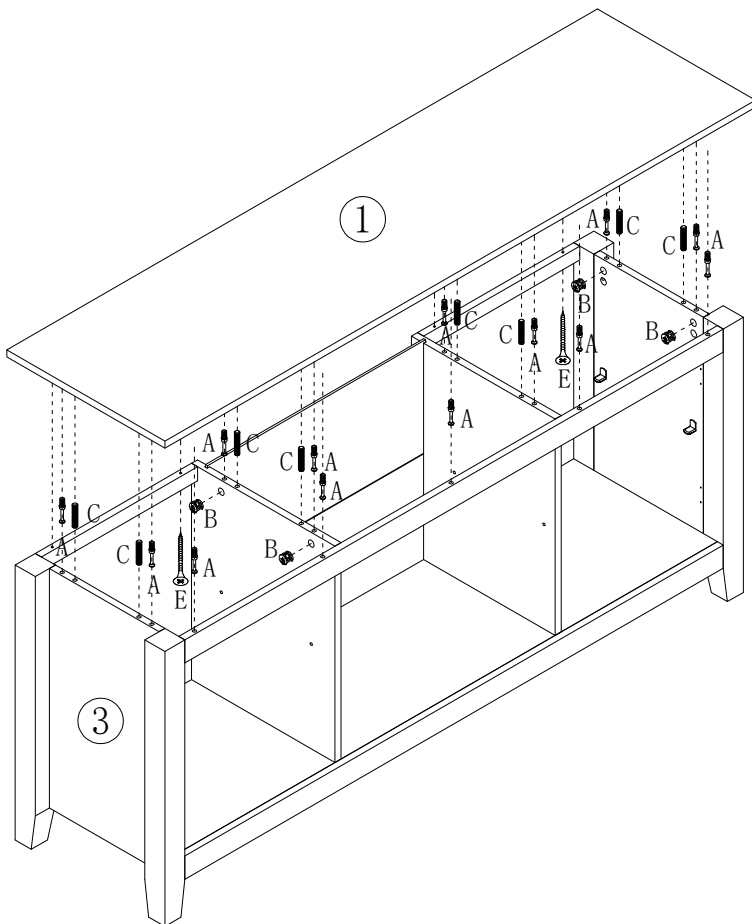
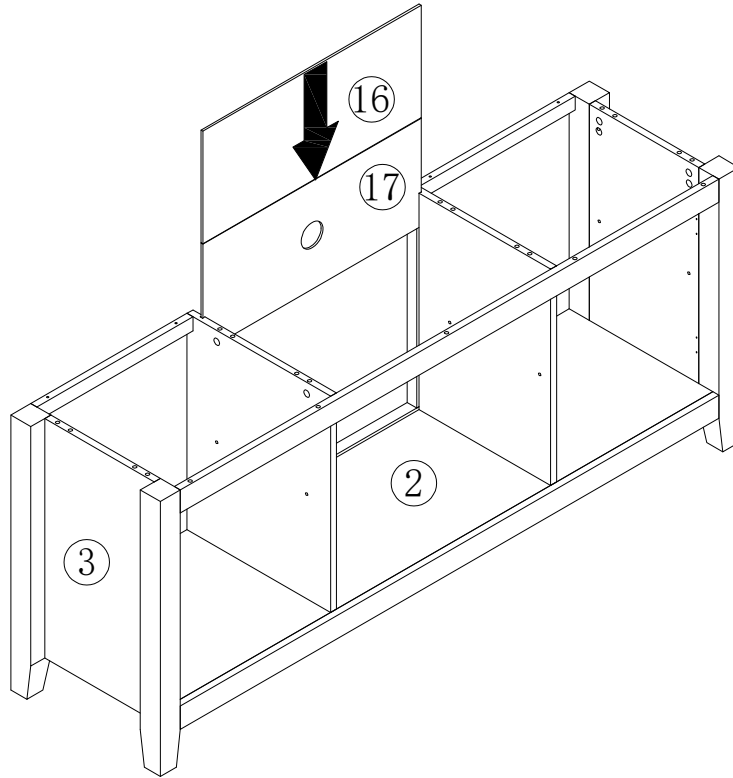
| | | | |
|----------------------------------------------------------------------------------------------------------|-----------------------------------------------------------------------------------------------------------|-----------------------------------------------------------------------------------------------------------|-----------------------------------------------------------------------------------------------------------|
| <p>A</p>  <p>5 PCS</p> | <p>B</p>  <p>5 PCS</p> | <p>C</p>  <p>1 PCS</p> | <p>H</p>  <p>4 PCS</p> |
|----------------------------------------------------------------------------------------------------------|-----------------------------------------------------------------------------------------------------------|-----------------------------------------------------------------------------------------------------------|-----------------------------------------------------------------------------------------------------------|







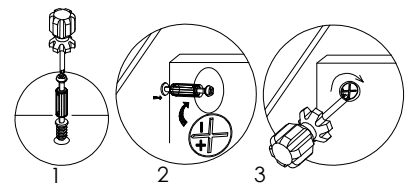
| | | |
|-------------------------------------------------------------------------------------------------------------|-------------------------------------------------------------------------------------------------------------|-------------------------------------------------------------------------------------------------------------|
| <p>A</p>  <p>2 PCS</p> | <p>B</p>  <p>2 PCS</p> | <p>C</p>  <p>3 PCS</p> |
|-------------------------------------------------------------------------------------------------------------|-------------------------------------------------------------------------------------------------------------|-------------------------------------------------------------------------------------------------------------|








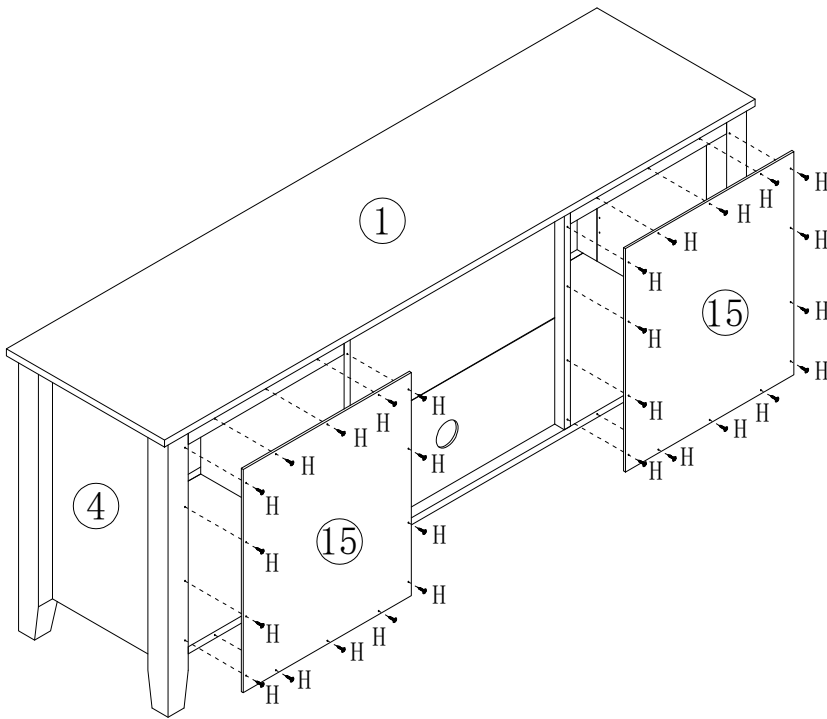
| A | B | C | E |
|--------------------------------------------------------------------------------------|---------------------------------------------------------------------------------------|---------------------------------------------------------------------------------------|---------------------------------------------------------------------------------------|
|  |  |  |  |
| 13 PCS | 13 PCS | 8 PCS | 4 PCS |



K



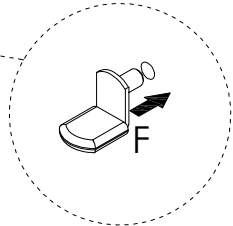
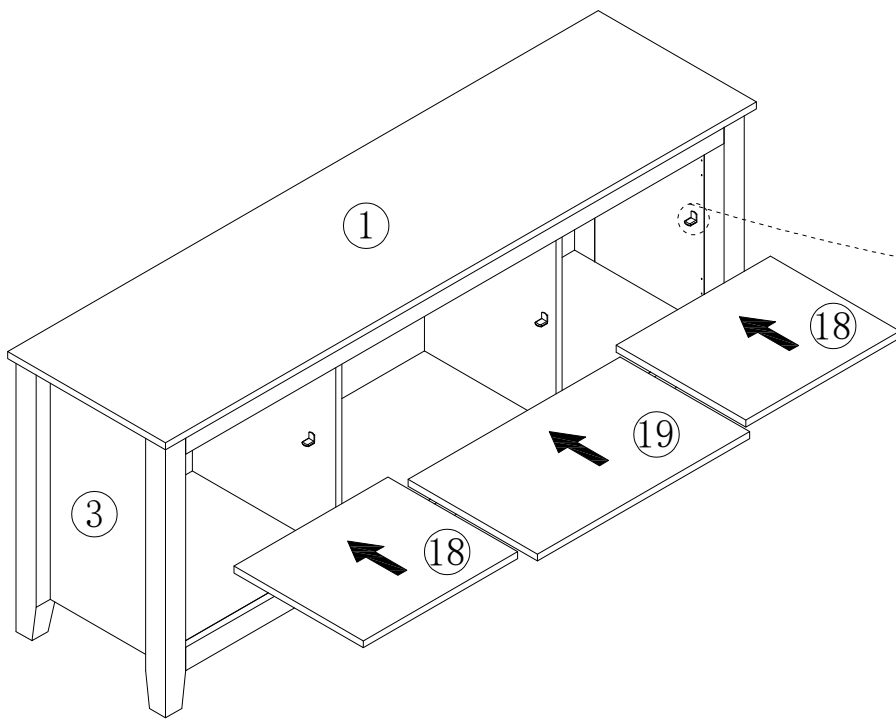
28 PCS





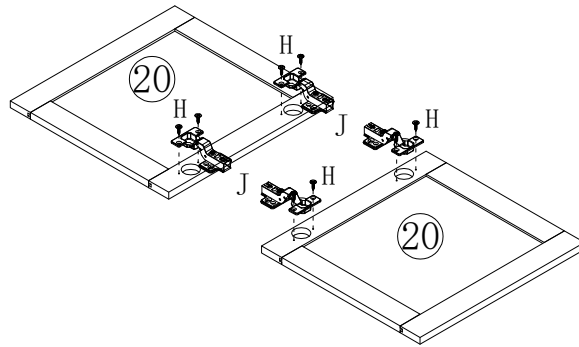
F




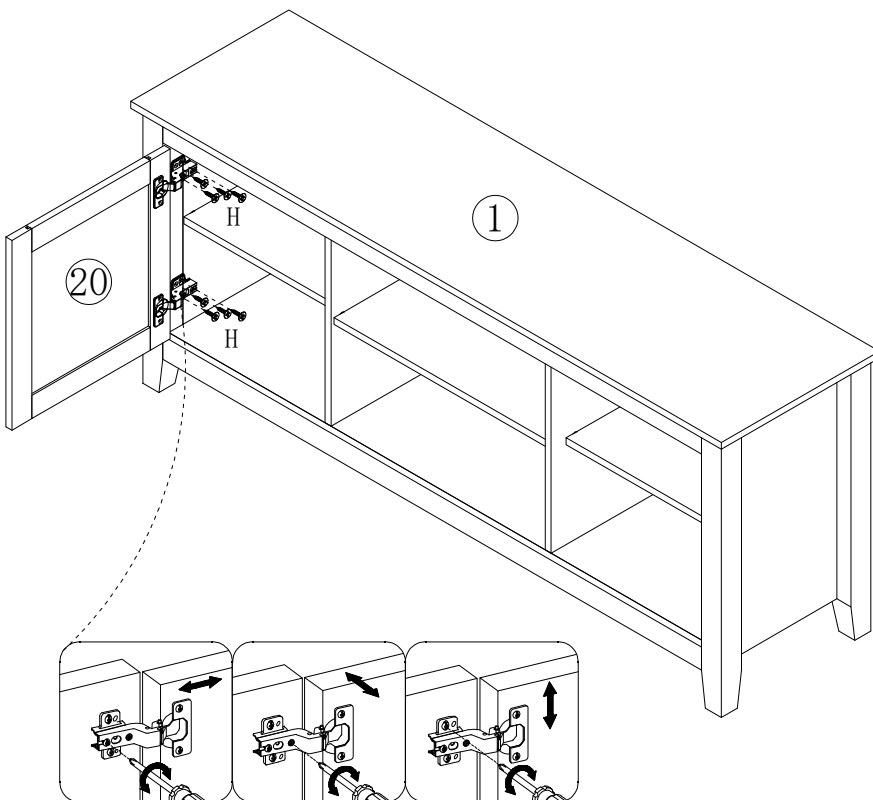
12 PCS

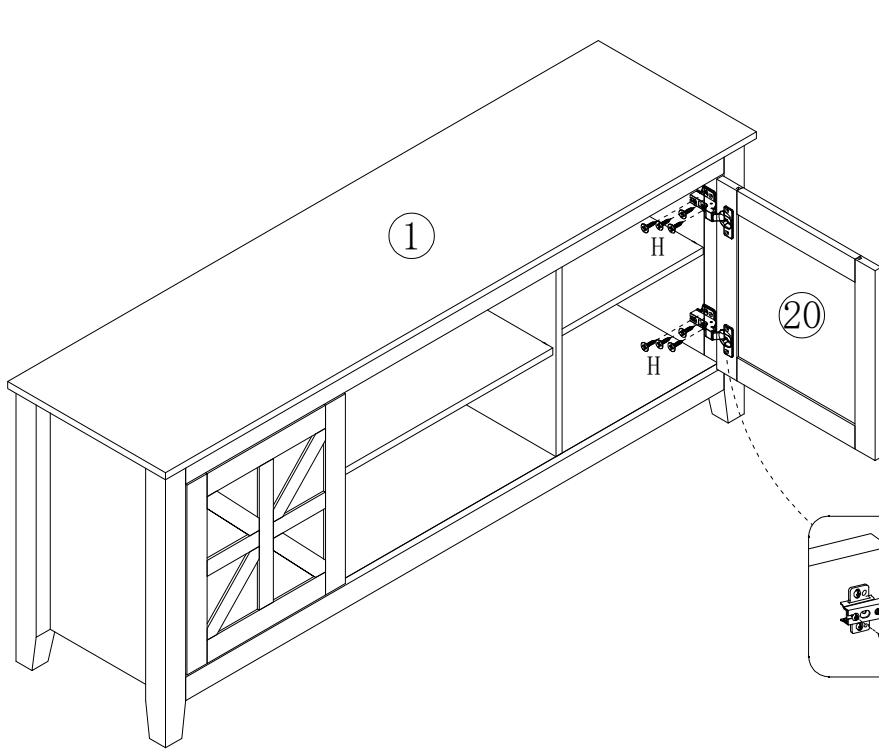


| | |
|-------------------------------------------------------------------------------------|-------------------------------------------------------------------------------------|
| H | J |
|  |  |
| 8 PCS | 4 PCS |




| |
|---------------------------------------------------------------------------------------|
| H |
|  |
| 8 PCS |

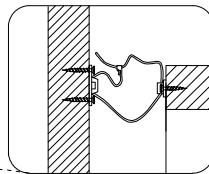
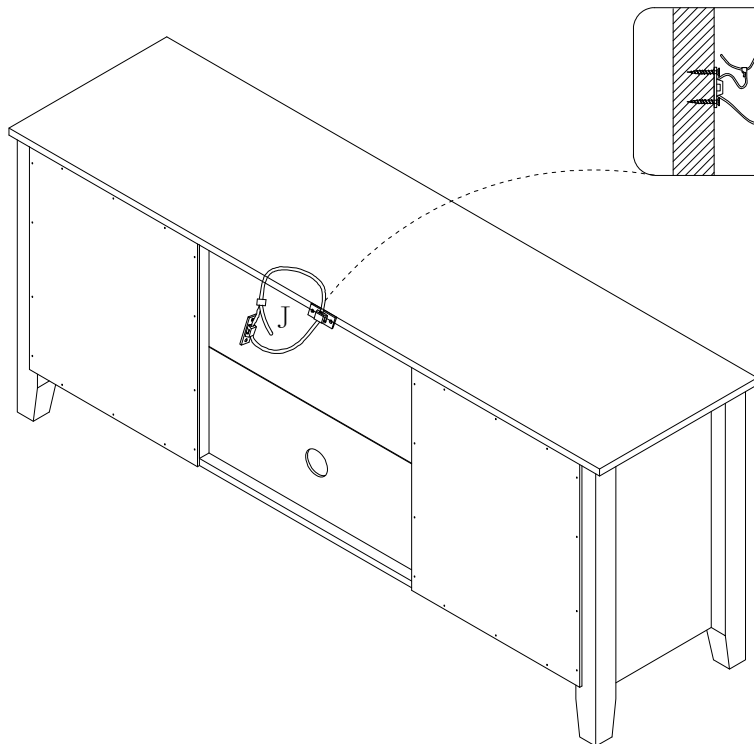
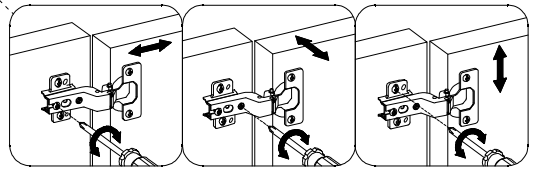





H



8 PCS



L



1 PCS