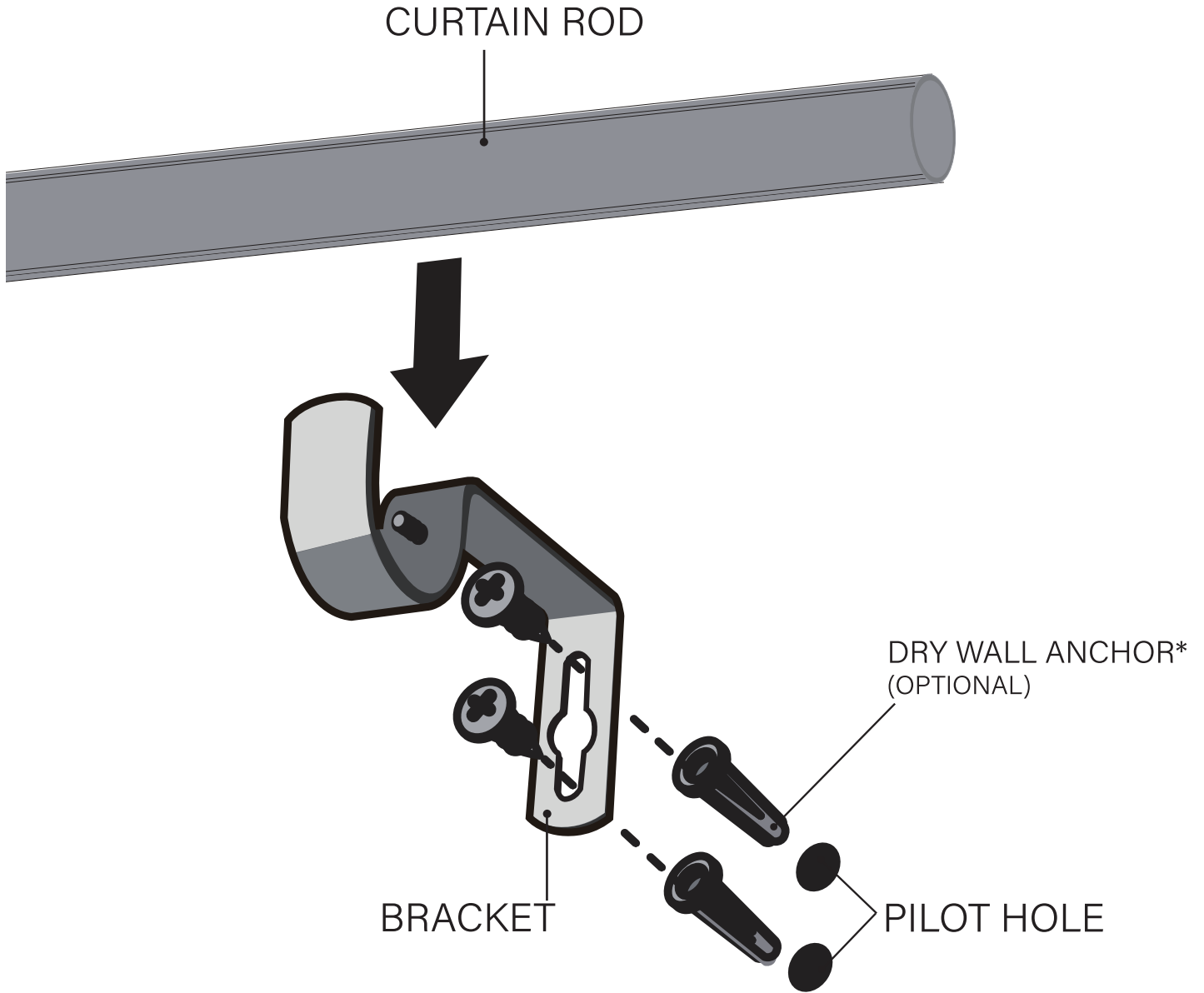


INSTALLATION INSTRUCTION FOR BRACKETS



DRYWALL ANCHOR INSTALLATION



If screws are going directly into wood trim or wall studs - drill 1/8" (3mm) holes and install screws through bracket.
If screws are going into hollow wall - drill 3/16" (5mm) holes and push or lightly hammer plastic anchors into holes.
Then install screws through brackets. Do not tighten screws too much - just snug is best.