

ASSEMBLY INSTRUCTIONS



Fine Furniture for every stage of life

ASSEMBLY INSTRUCTIONS

ASSEMBLY TIPS:

- 1.Remove hardware from box and sort by size.
- 2.Please check to see that all hardware and parts are present prior to start of assembly.
- 3.Please follow attached instruction in the same sequence as numbered to assure fast & easy assembly.

WARNING!



1.Don't attempt to repair or modify parts that are broken or defective. Please contact the store immediately.

2.This product is for home use only and not intended for commercial establishment.



ASSEMBLY TIME PER UNIT:

15 MINUTES

PARTS IDENTIFICATION

A SEAT



1PC

C REAR LEG



2PCS

B FRONT LEG



2PCS

HARDWARE IDENTIFICATION

1. INNER HEXAGON SCREW
SIZE: M8*30MM



12PCS

3. SPRING WASHER
SIZE: M8



12PCS

2. FLAT WASHER
SIZE: Ø 8*18*2MM



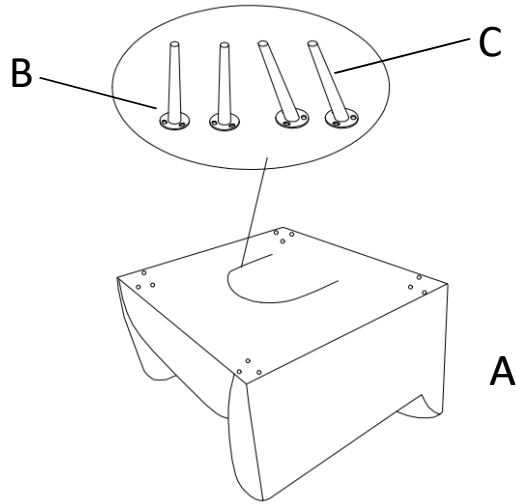
12PCS

4. ALLEN WRENCH
SIZE: M5

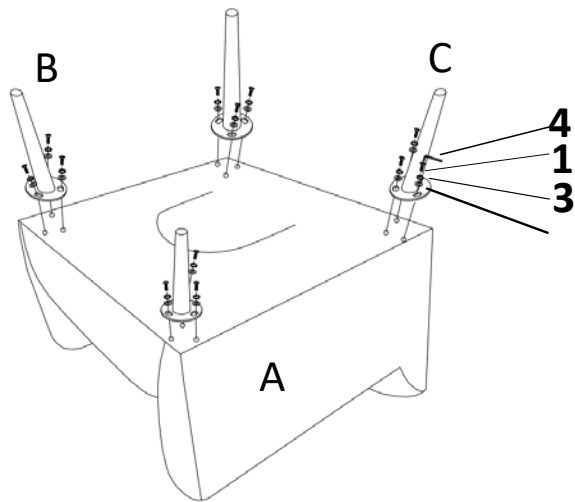


1PC

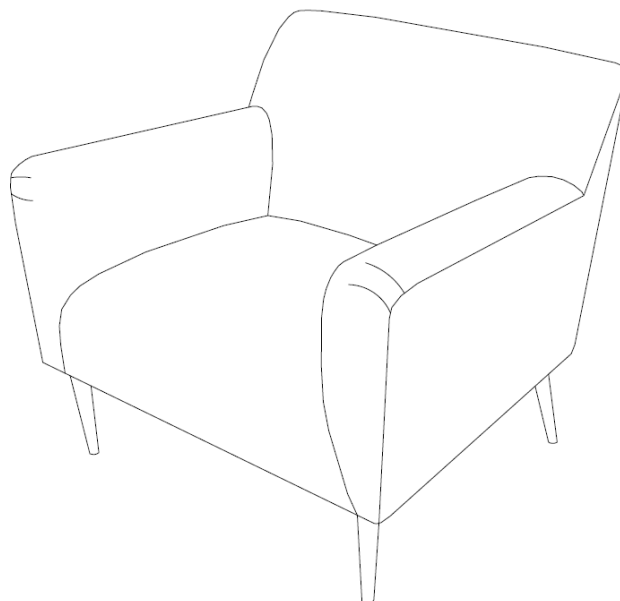
ASSEMBLY INSTRUCTIONS
STEP 1



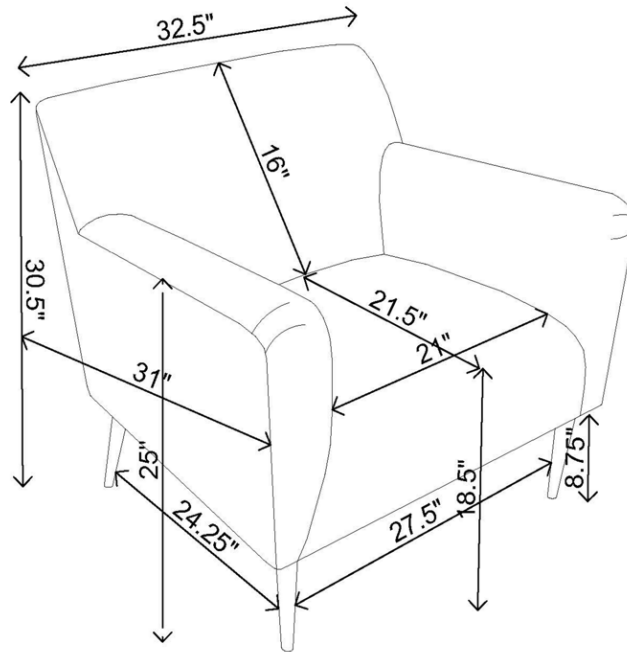
STEP 2



STEP 3



PRODUCT/PART DIMENSIONS



Note: Dimension tolerance $\pm 5\%$