

Benefits



- Large bowl sizes
- Functional designs with classic details, sweeping lines and contemporary features
- Specific graduating drain board design

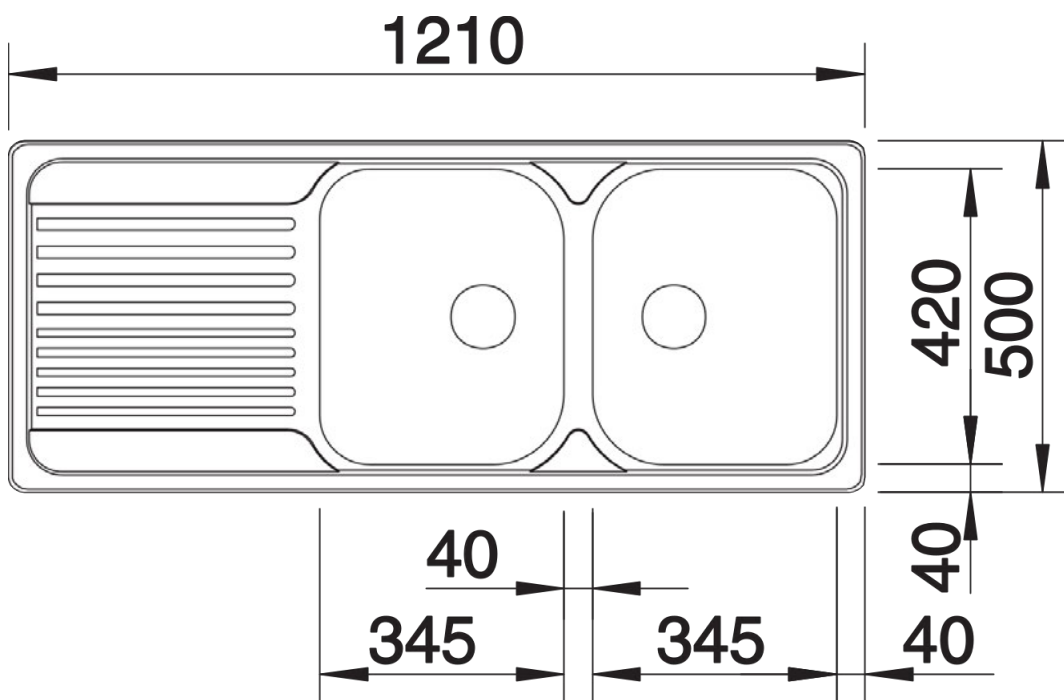
Planning information

- Cut out size: 1192 x 482 x R15
Universal handing

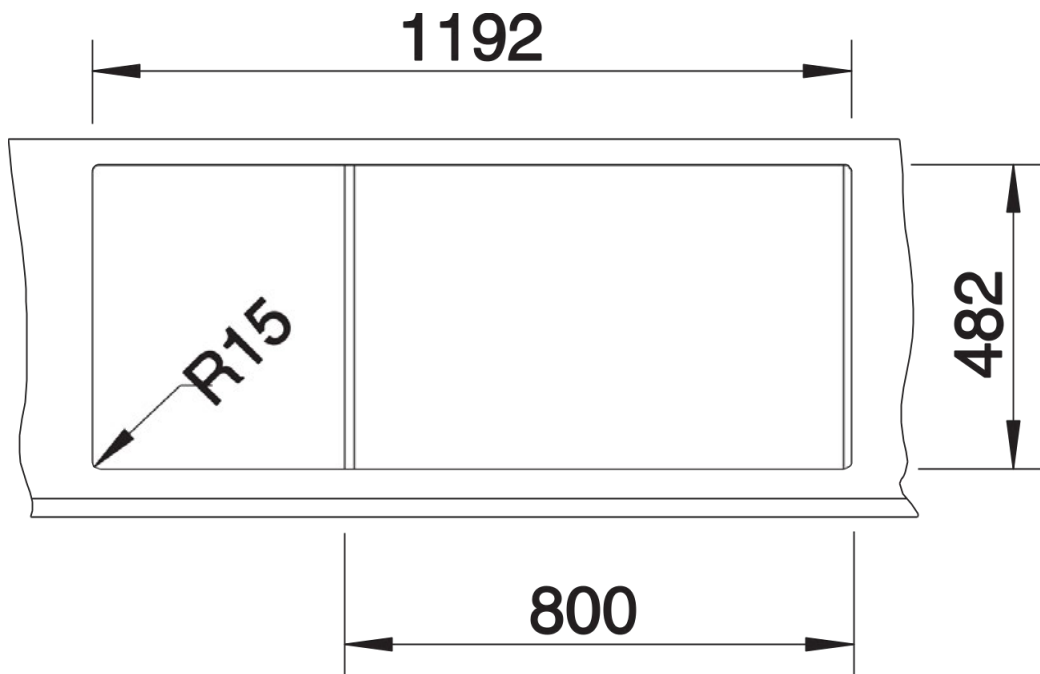
Scope of supply

- waste fitting
- two 3 ½" basket strainers

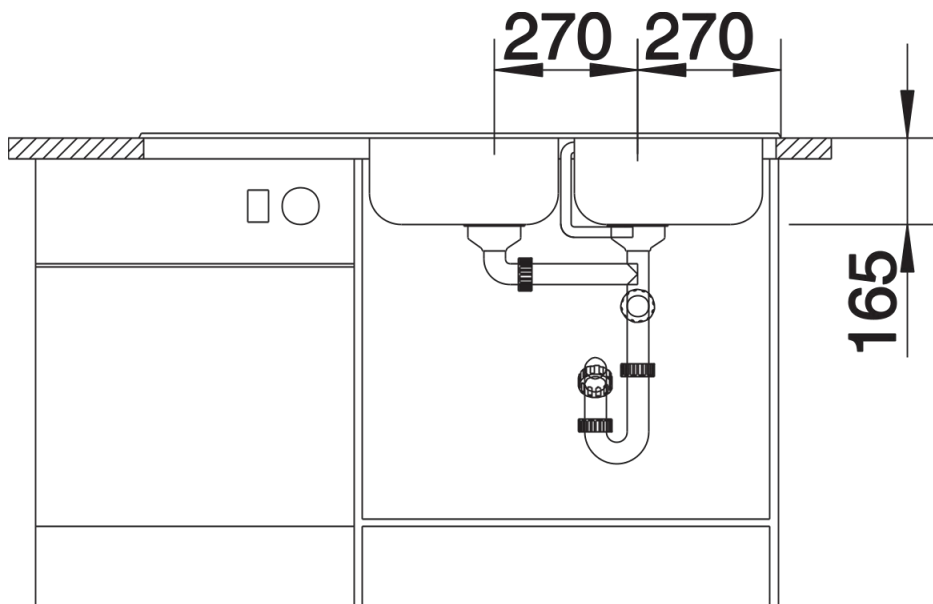
Details



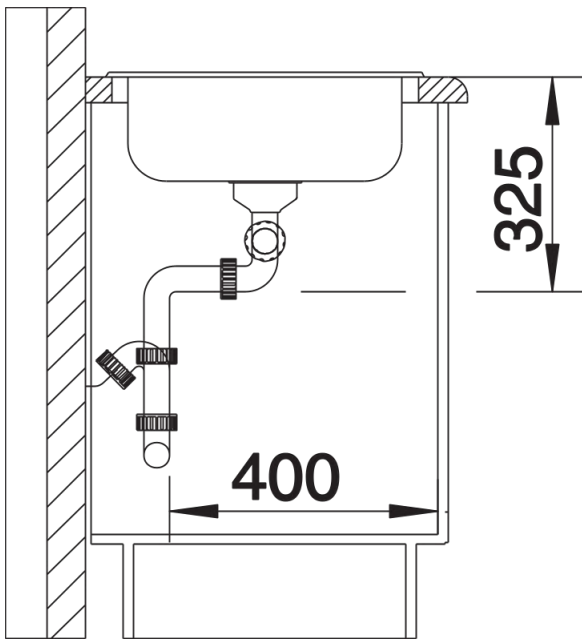
Top view



Cut-out



Front view



Side view