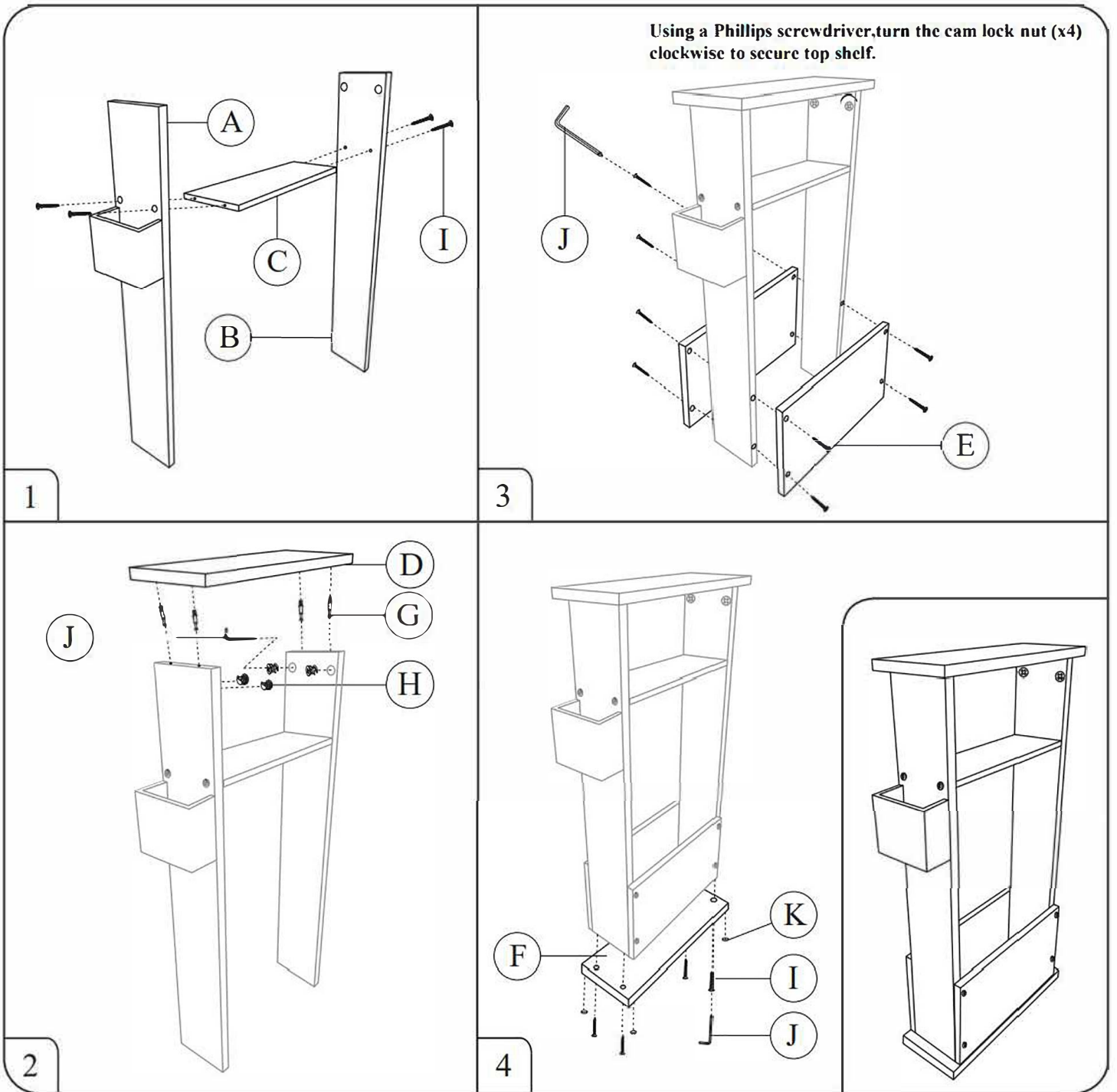


# Vintage Wood End Table with Magazine Holder



No.	A	B	C	D	E	F	G	H	I	J	K
Part											
				*4 holes only on bottom-side		*4 thru holes (visible on both sides)	<b>M6×40</b>	<b>M15×11</b>	<b>S5×42</b>		
Pcs	1	1	1	1	2	1	4	4	16	1	1