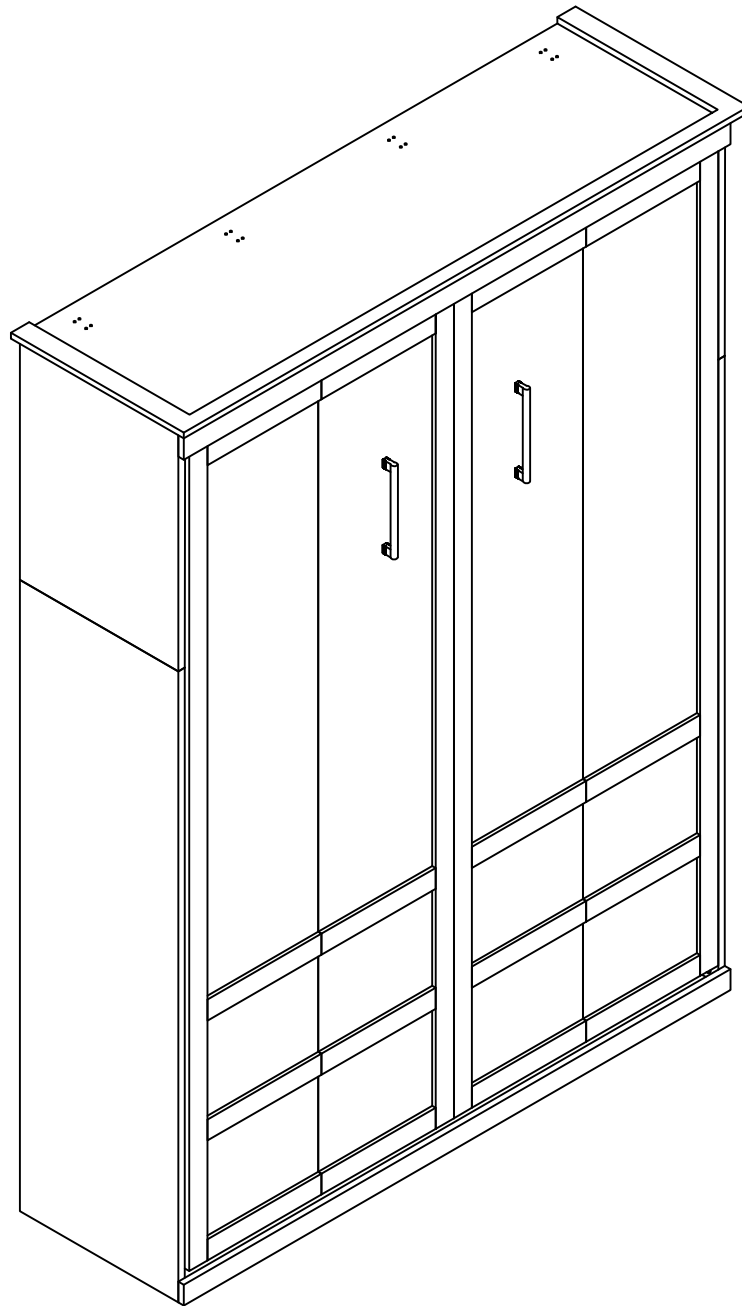


# Murphy Bed



SKU:SML-BGC-7-SXD  
MFSKU:BK-BGC7  
20250119  
PO241212003



# RETURNS

**CHANGED YOUR MIND AND NEED TO RETURN YOUR ITEM?**

**PLEASE FOLLOW THE BELOW INSTRUCTIONS:**

- If you have purchased and have simply changed your mind, follow the retailer's instructions for returns.

## **DEFECTIVE ITEMS**

- If your item is defective in any way, i.e. it doesn't work but you can't identify why, in the first instance, please consult our FAQ section at [Service@househub.cn](mailto:Service@househub.cn) as there may be a simple solution to the issue.

## **DAMAGED ITEMS**

- If you receive an order with obvious shipping damage from the retailer, then we suggest the delivery is refused. If the delivery has been accepted and then shipping damage is found, please follow the specific instructions advised by the retailer.

- In all circumstances, please save all packaging material and paperwork for the order.

- Please be aware that if you dispose of packaging material or attempt to return the merchandise without contacting the retailer, you jeopardize your chances of making a claim, and you may not receive a credit for the return.

**EMAIL: [Service@househub.cn](mailto:Service@househub.cn)**



**(Installation Video)**

# WARRANTY

## **WARRANTY CLAIMS**

- There is a 30-day warranty for broken furniture or any other problems that do not work properly. The warranty will start from the date of purchase which must be verified by proof of purchase.
- The product must be used in accordance with the instructions provided. For health reasons.
- For other reasons, if the furniture needs to be returned, it must be cleaned and dried and operated within 30 days of receipt.

## **Type of Warranty Claim**

- Failure to follow the furniture instructions will invalidate the warranty. Attention please.
- Does not include damage during installation, but includes damage during transportation.

## **Scope of responsibility**

- Shall not bear any responsibility for misuse or user damage and / or loss of parts during the installation of furniture.
- After using, the damage and scratches of the furniture are not covered by the warranty.

## **The Warranty Relates to All Bought in The Us and Covers The Following Areas**

- Sheet parts: 1 month from the date of purchase.
- Electrical parts: 1 month from the date of purchase.

## **IMPORTANT INFORMATION!**

•please read the entire manual before starting to assemble and/or using this product. follow the manual thoroughly and keep it for further reference.

## **AVOID SCRATCHES!**

•In order to avoid scratching this furniture should be assembled on a soft layer-could be a rug.

## **IMPROVE EFFICIENCY !**

•Try to find a partner to install with you, which can speed up the installation efficiency and shorten the time.

## **IMPORTANT !**

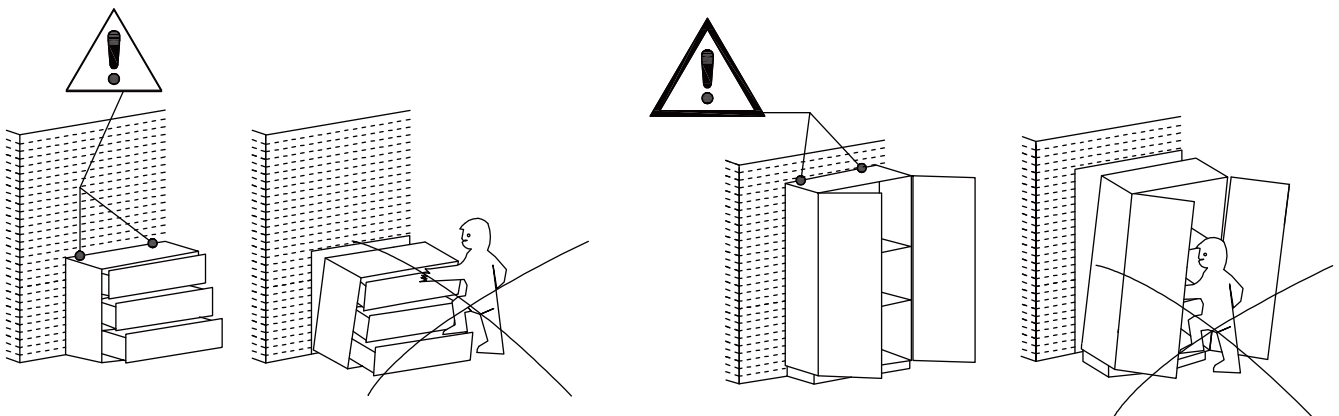
•It is important that any product which is assembled using any kind of screw is re-tightened 2 weeks after assembly, and once every 3 months - in order to assure stability through-out the lifespan of the product.

•For regular maintenance and cleaning of the product, for the frame, please use a rag dipped in neutral detergent to fully wipe it, and then dry it with a clean rag. For glass materials, wipe with a rag dampened with water glass cleaner, and then dry with a dry rag.

•Do not use an electric screwdriver, and do not use too much force when installing, because the board is easy to break.

## **ANTI-TOPPLE WARNING !**

Overtured furniture can cause serious or fatal crush injuries. To prevent tipping over, be sure to use the wall attachment, if not included with this product. Please purchase the wall attachment that fit your wall. If unsure, seek professional advice. Please read and follow each step of the instructions carefully.



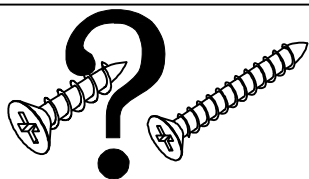
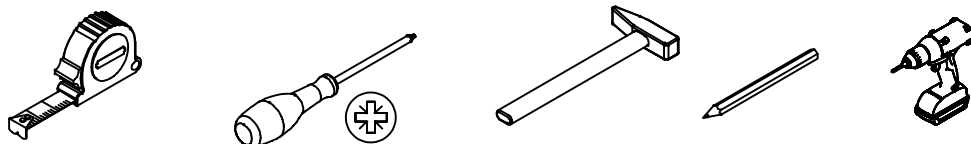
## Installation Precautions

- 1. Familiarize Yourself with the Installation Manual**  
Before starting the installation, make sure to carefully read the product manual to understand the installation requirements and details.
- 2. Follow the Installation Process**  
Install strictly according to the steps outlined in the manual to ensure accuracy and compliance with the instructions.
- 3. Check and Verify Components**  
Before starting the installation, carefully check and verify all panels and accessories to ensure they are complete and undamaged. If there are any issues, please contact us immediately.
- 4. Verify Wall Conditions**  
The wall must be made of solid brick, concrete, or other hard structural materials. If the wall does not meet these requirements, do not use this product.
- 5. Professional Installation Recommended**  
It is recommended to hire a qualified professional installer to ensure quality and safety.
- 6. DIY Installation Requirements**  
If you choose to install it yourself, it is advised to have 2-3 adults working together to ensure control and stability during installation.
- 7. Hydraulic Pump Installation**  
During the hydraulic pump installation, do not cut or strike the components. After installation, make sure to tighten both end nuts to prevent them from loosening.
- 8. Hydraulic Pump Operation Tips**  
If the hydraulic pump makes noise during operation, apply lubricating oil or pencil lead powder to the piston rod to improve lubrication.
- 9. Bed Adjustment and Securing**  
After installing the hydraulic pump, adjust the bed body to ensure the seam alignment is accurate. Then, move the cabinet to the wall and secure it.
- 10. Installation Testing**  
After securing the bed body, apply pressure to the bed and test it multiple times to ensure all connections are firm and correct.
- 11. Do Not Use Before Securing**  
Do not use the bed before it is securely installed to avoid safety hazards.
- 12. Pre-Use Preparation**  
Before using the foldable bed, ensure that the support legs are fully extended to bear the load properly.
- 13. Safety Precautions**  
Follow all safety instructions during the installation and use of the product to ensure safe operation.
- 14. Do Not Modify Accessories**  
Do not alter or replace any parts of the product to avoid affecting its performance and safety.
- 15. Feedback Channels**  
If you encounter any issues, please contact us immediately via email at : [wardrobe2023@163.com](mailto:wardrobe2023@163.com)









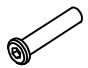
## Usage Precautions

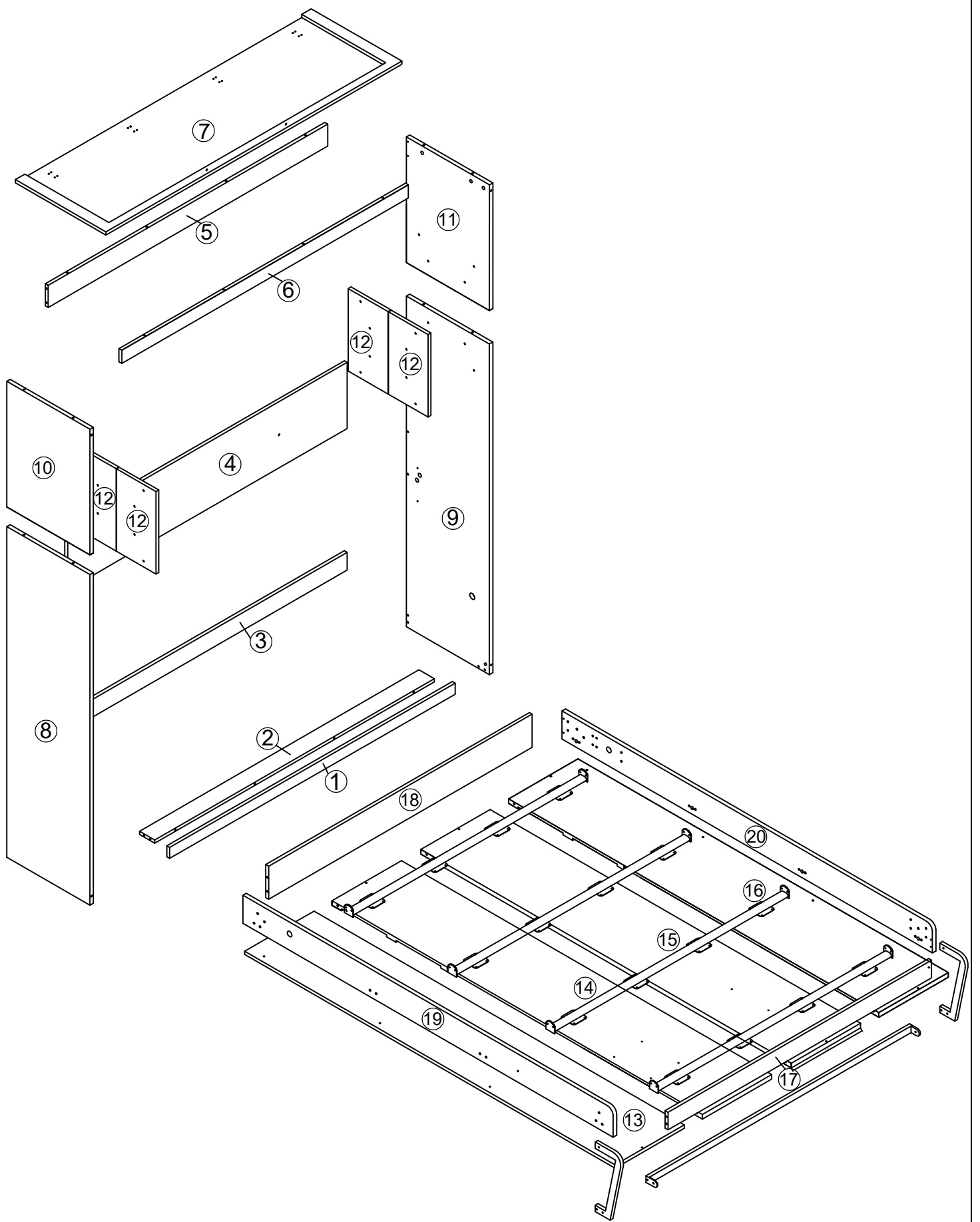
- 1. Pre-Use Condition**  
The product must be installed and secured to a hard wall before use.
- 2. Safety Strap for Mattress**  
The mattress must be securely strapped to the bed frame. Only use the product after assembly and securing.
- 3. Remove Hard Objects**  
Before opening or closing the bed, check and remove any hard objects from the mattress to prevent them from falling and damaging the cabinet or items.
- 4. Children's Usage Restrictions**  
Children should never use this product alone for safety reasons.
- 5. Suitable User Range**  
The product is suitable for healthy adults aged 18 to 55. Other age groups should only use it under supervision by a suitable person.
- 6. Weight Capacity**  
The bed can support a weight range of 407LB to 440LB (185KG to 200KG).

# Please prepare the following tools

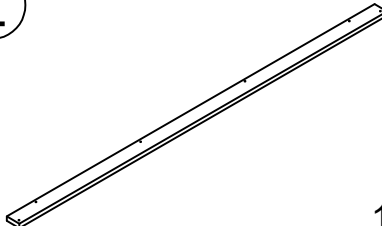
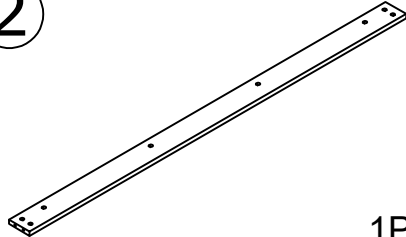
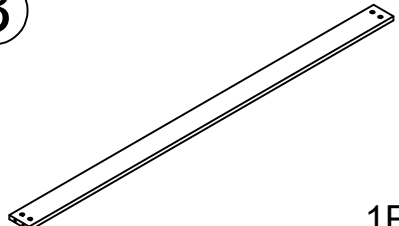
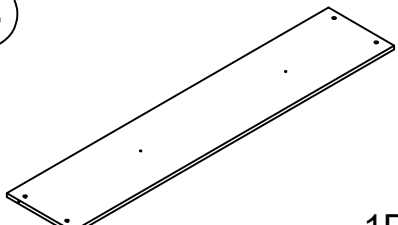
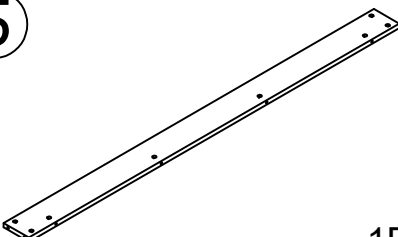
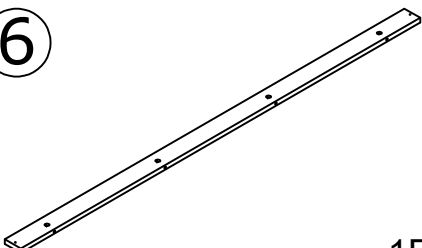
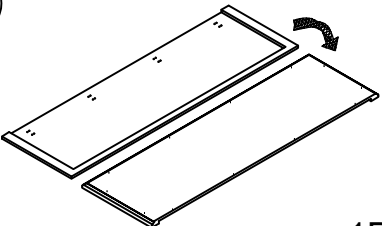
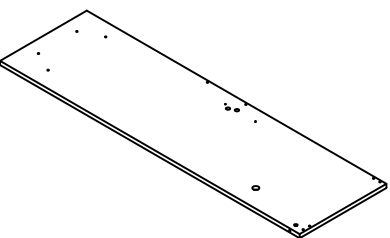
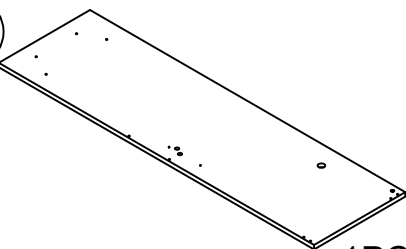
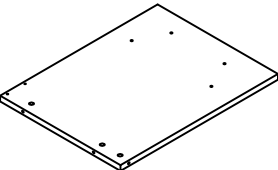
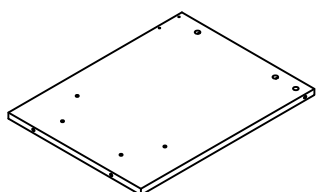
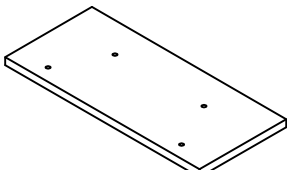
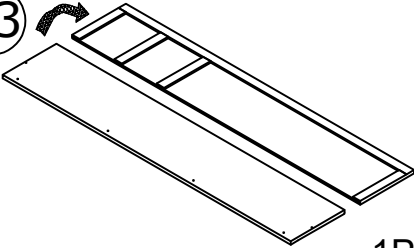
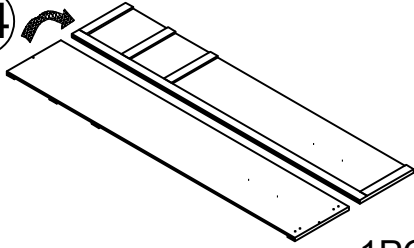
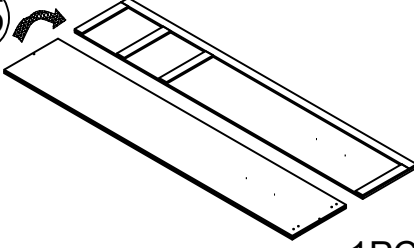
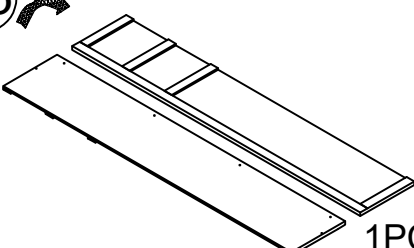
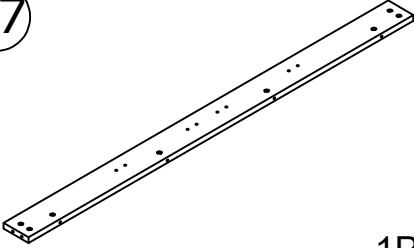
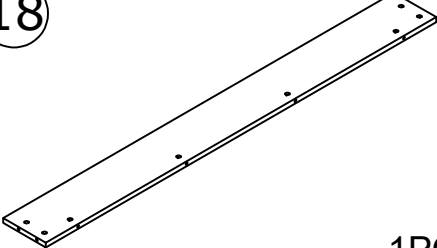
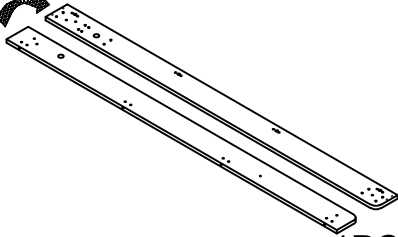
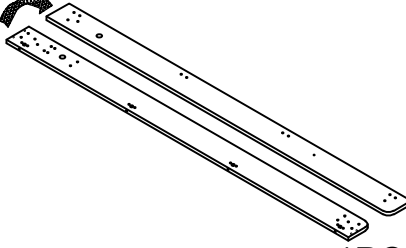


When installing, please carefully confirm whether each screw corresponds to the manual, accessories with similar shapes can be distinguished by size

<p>A x 60</p>  <p>Ø6 x 28mm</p>	<p>B x 60</p>  <p>Ø15 x 10mm</p>	<p>C x 16</p>  <p>Ø8 x 30mm</p>	<p>D x 90</p>  <p>Ø3.5 x 12mm</p>	<p>E x 26</p>  <p>Ø3.5x 20mm</p>	<p>F x 16</p>  <p>Ø6x 20mm</p>
<p>G x 18</p>  <p>Ø6 x 12mm</p>	<p>H x16</p>  <p>Ø6 x 16mm</p>	<p>I x 4</p>  <p>Ø6 x 22mm</p>	<p>J x 2</p>  <p>Ø6 x 30mm</p>	<p>K x 4</p>  <p>Ø6x 25mm</p>	<p>L x 8</p>  <p>M8 x 2mm</p>
<p>M x 2</p>  <p>350-500N</p>	<p>N x 2</p>  <p>350-630N</p>	<p>O x 1</p>  <p>2M</p>	<p>P x 4</p>  <p>M8 x 80mm</p>	<p>Q x 4</p>  <p>M8</p>	<p>R x 2</p> 
<p>S x 4</p>  <p>90x42x25mm</p>	<p>T x 2</p> 	<p>U x 2</p>  <p>150x60x3.5mm</p>	<p>V x 2</p>  <p>150x60x3.5mm</p>	<p>W x 2</p>  <p>100x60x3.5mm</p>	<p>X x 2</p> 
<p>Y x 1</p>  <p>1420x50x30mm</p>	<p>ZW x 3</p>  <p>Z-White x 3 1380x80x50mm</p>	<p>ZS x 1</p>  <p>Z-Silver x 1 1380x80x50mm</p>	<p>A1 x 2</p>  <p>192mm</p>	<p>B1 x 4</p>  <p>Ø4 x 18mm</p>	<p>C1 x 2</p>  <p>Ø6 x 60mm</p>
<p>D1 x 44</p>  <p>Ø6 x 12mm</p>	<p>E1 x 6</p>  <p>Ø3.5x 30mm</p>	<p>F1 x 2</p>  <p>M4</p>	<p>G1 x 1</p>  <p>M8</p>	<p>H1 x 4</p>  <p>60*52*28mm</p>	<p>J1 x 2</p>  <p>M12. 2*15*8mm</p>
<p>K1 x 4</p>  <p>M10*20*2mm</p>	<p>L1 x 2</p>  <p>Ø6 x 43mm</p>				

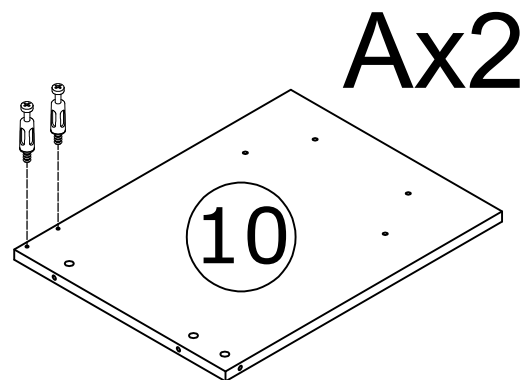
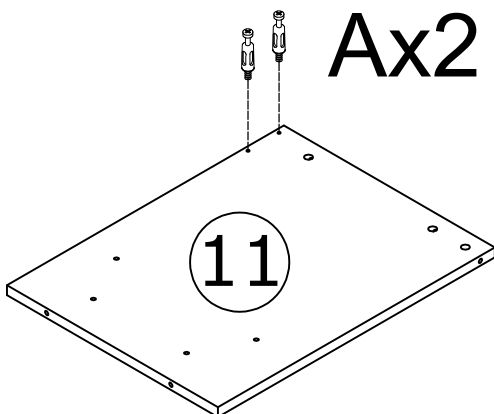
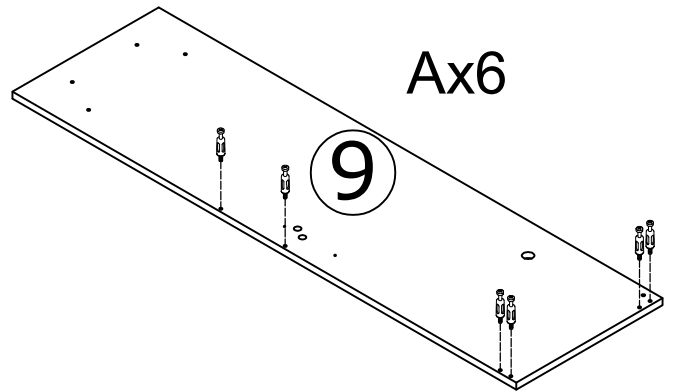
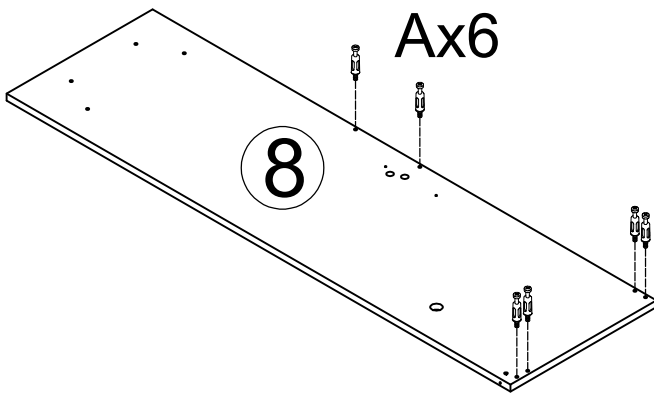
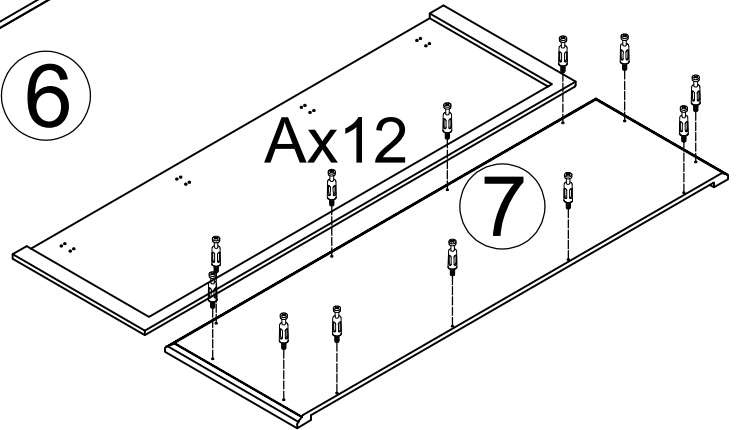
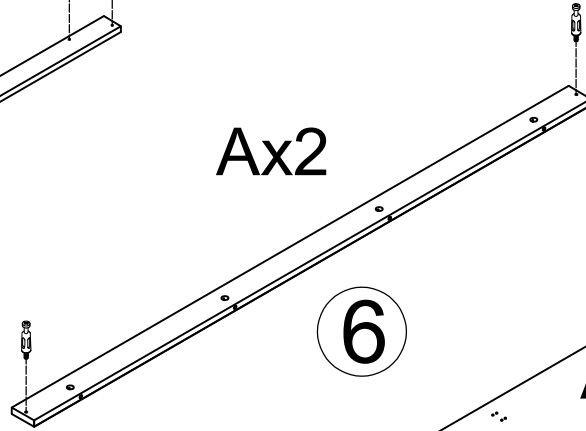
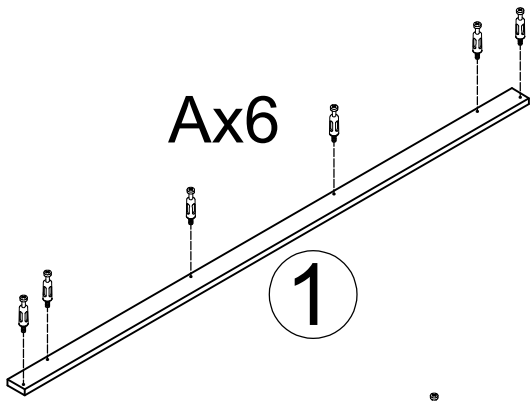
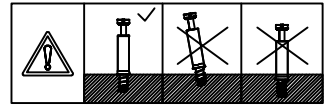
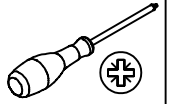


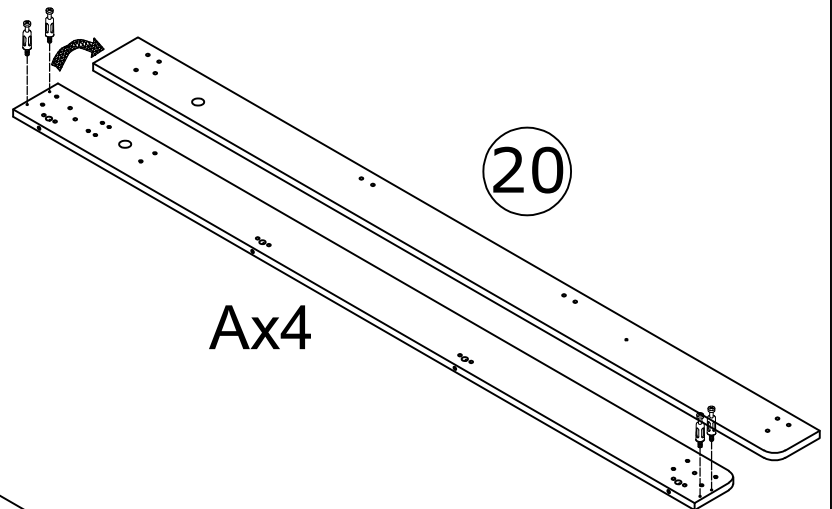
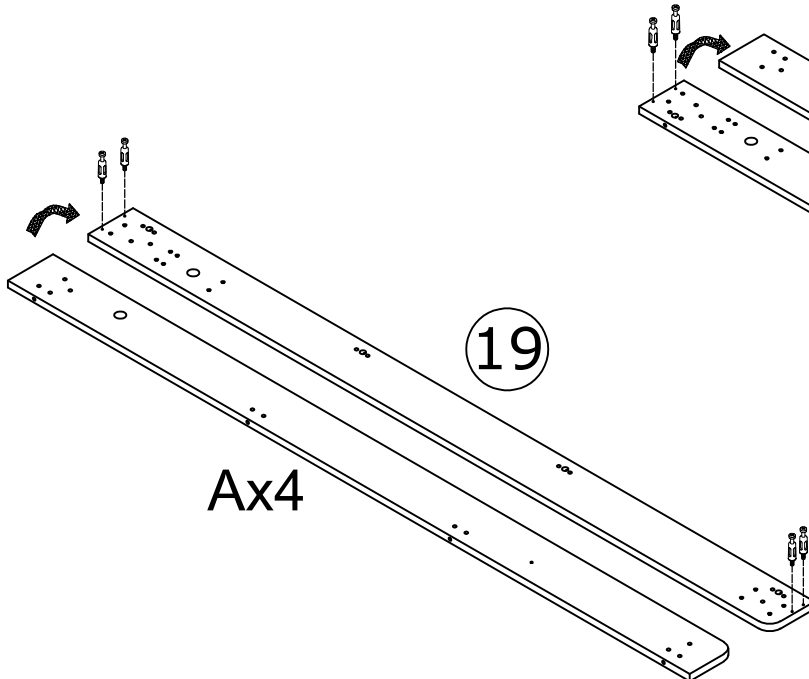
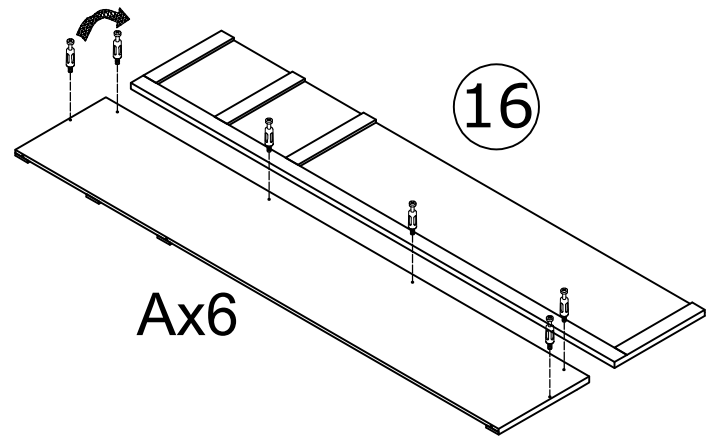
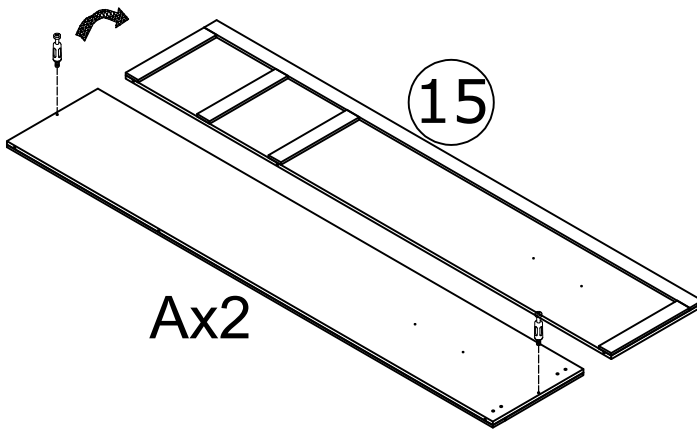
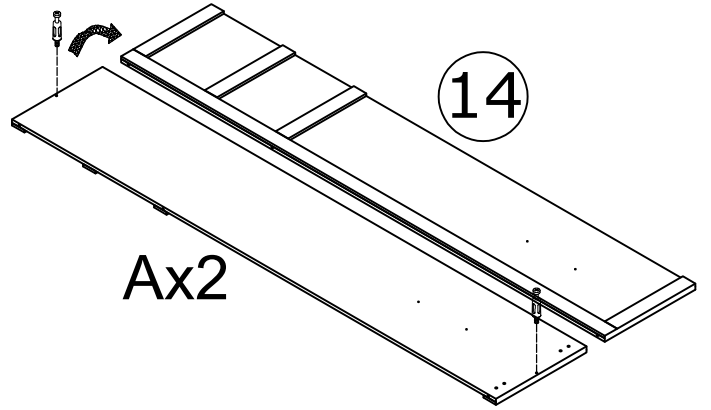
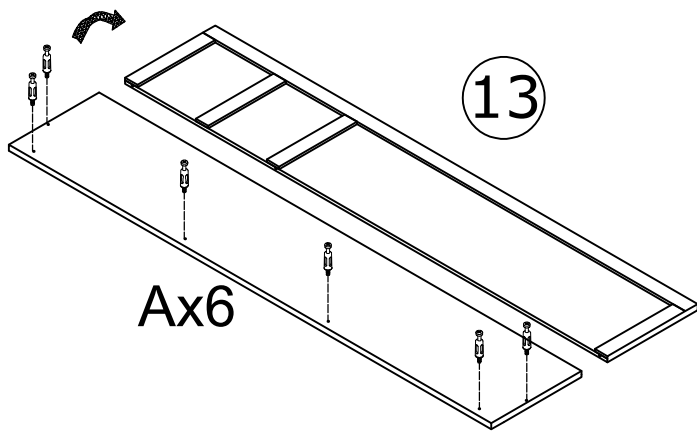
# Parts list

<p>①</p>  <p>1PC</p>	<p>②</p>  <p>1PC</p>	<p>③</p>  <p>1PC</p>
<p>④</p>  <p>1PC</p>	<p>⑤</p>  <p>1PC</p>	<p>⑥</p>  <p>1PC</p>
<p>⑦</p>  <p>1PC</p>	<p>⑧</p>  <p>1PC</p>	<p>⑨</p>  <p>1PC</p>
<p>⑩</p>  <p>1PC</p>	<p>⑪</p>  <p>1PC</p>	<p>⑫</p>  <p>4PCS</p>
<p>⑬</p>  <p>1PC</p>	<p>⑭</p>  <p>1PC</p>	<p>⑮</p>  <p>1PC</p>
<p>⑯</p>  <p>1PC</p>	<p>⑰</p>  <p>1PC</p>	<p>⑱</p>  <p>1PC</p>
<p>⑲</p>  <p>1PC</p>	<p>⑳</p>  <p>1PC</p>	

1

A x 60  
Ø6 x 28mm



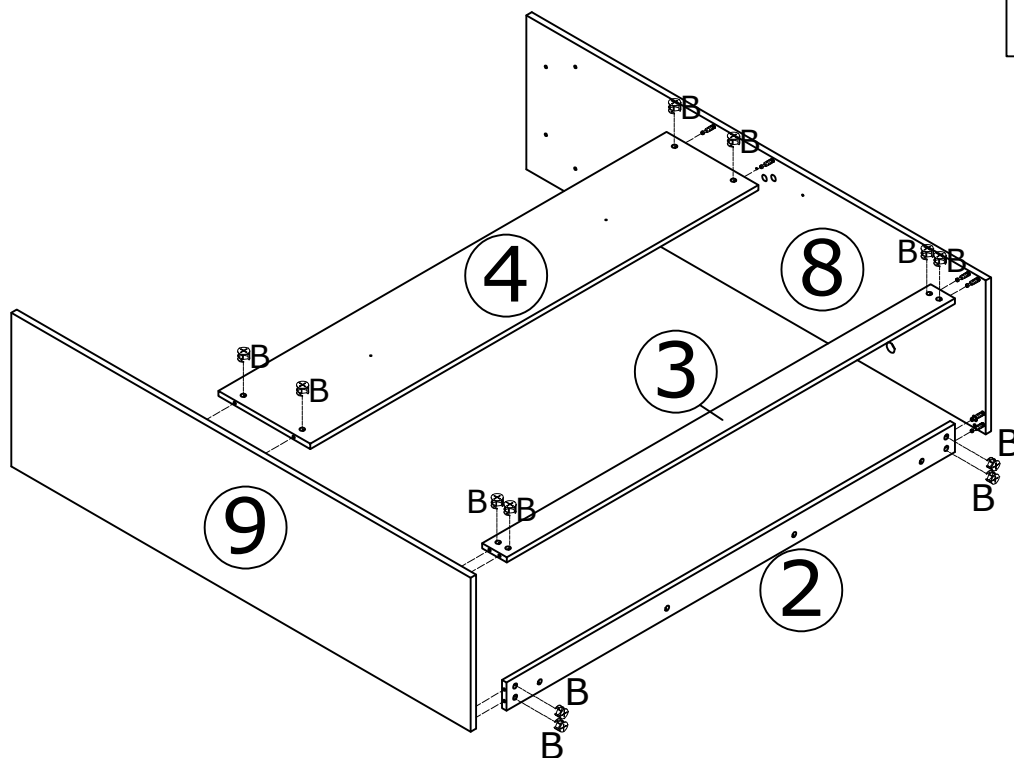
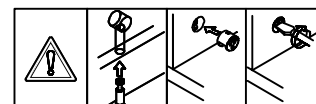
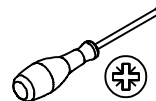


# 2

B x 12



Ø15 x 10mm

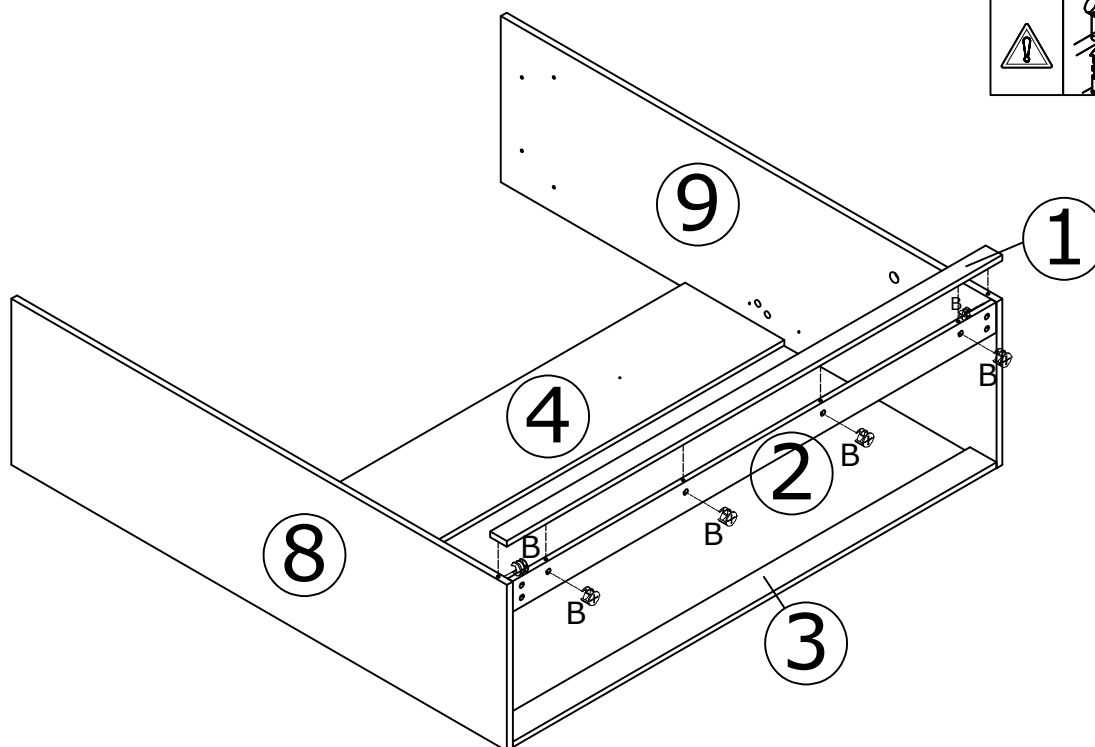
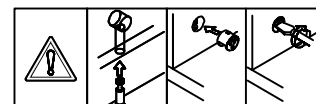
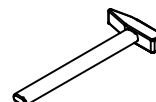
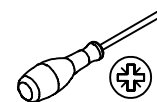


# 3

B x 6



Ø15 x 10mm

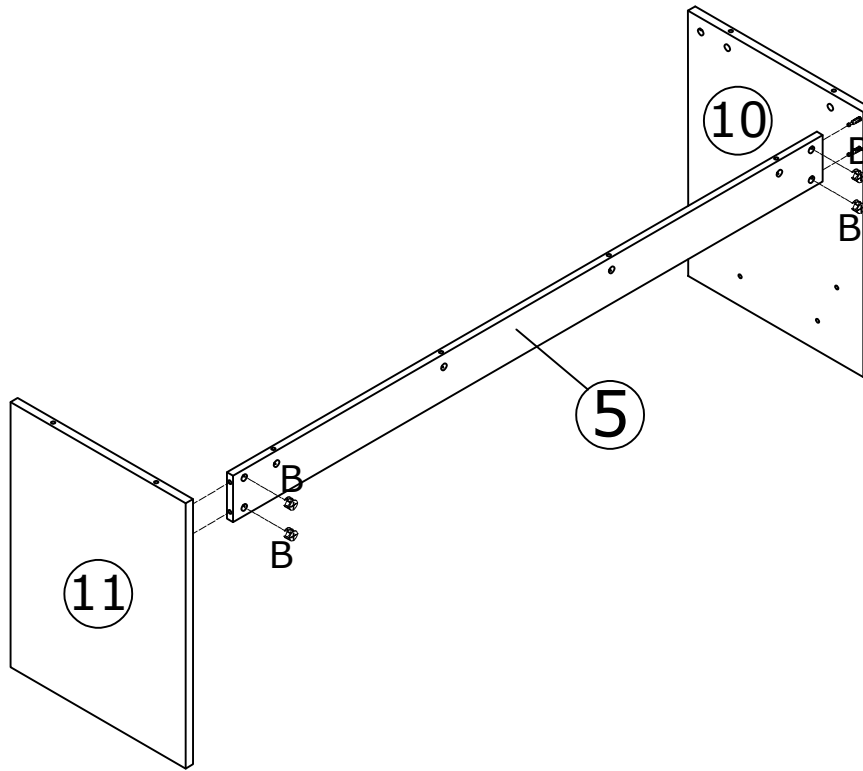
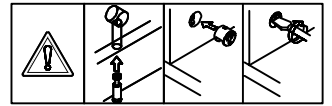
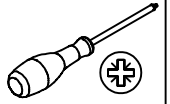


# 4

B x 4



Ø15 x 10mm

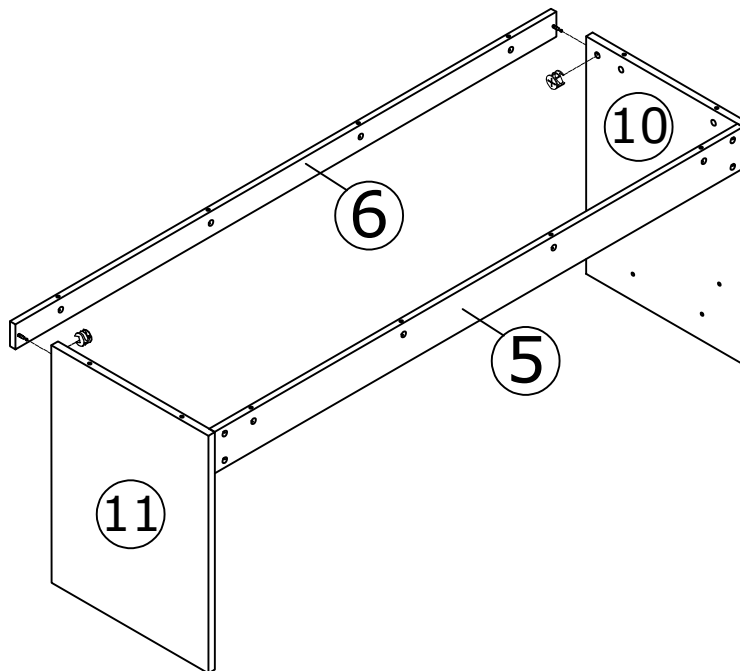
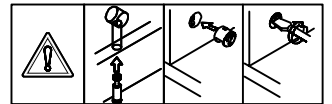
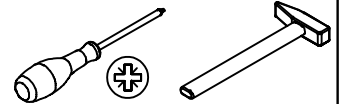


# 5

B x 2



Ø15 x 10mm

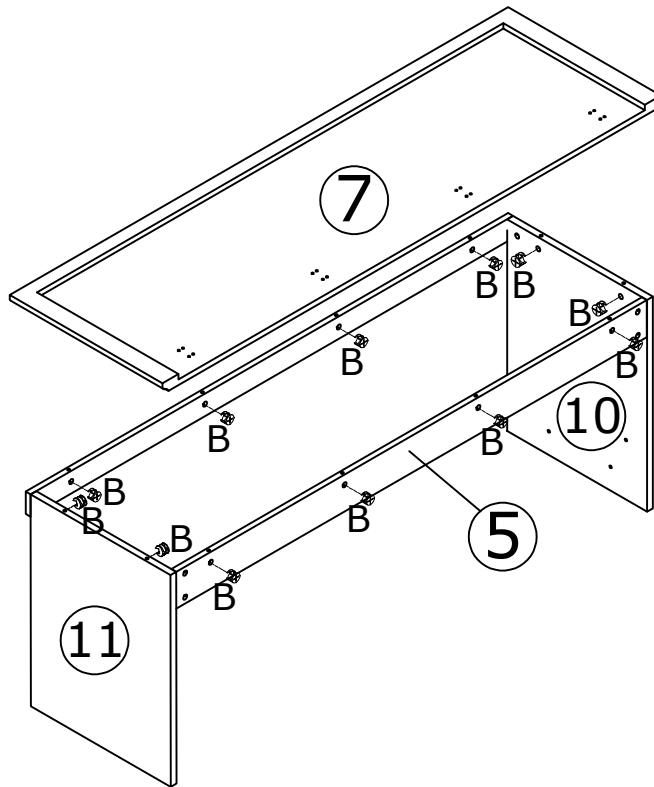
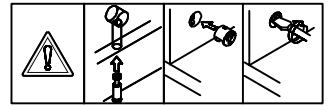
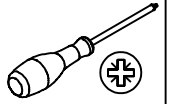


# 6

B x 12



Ø15 x 10mm

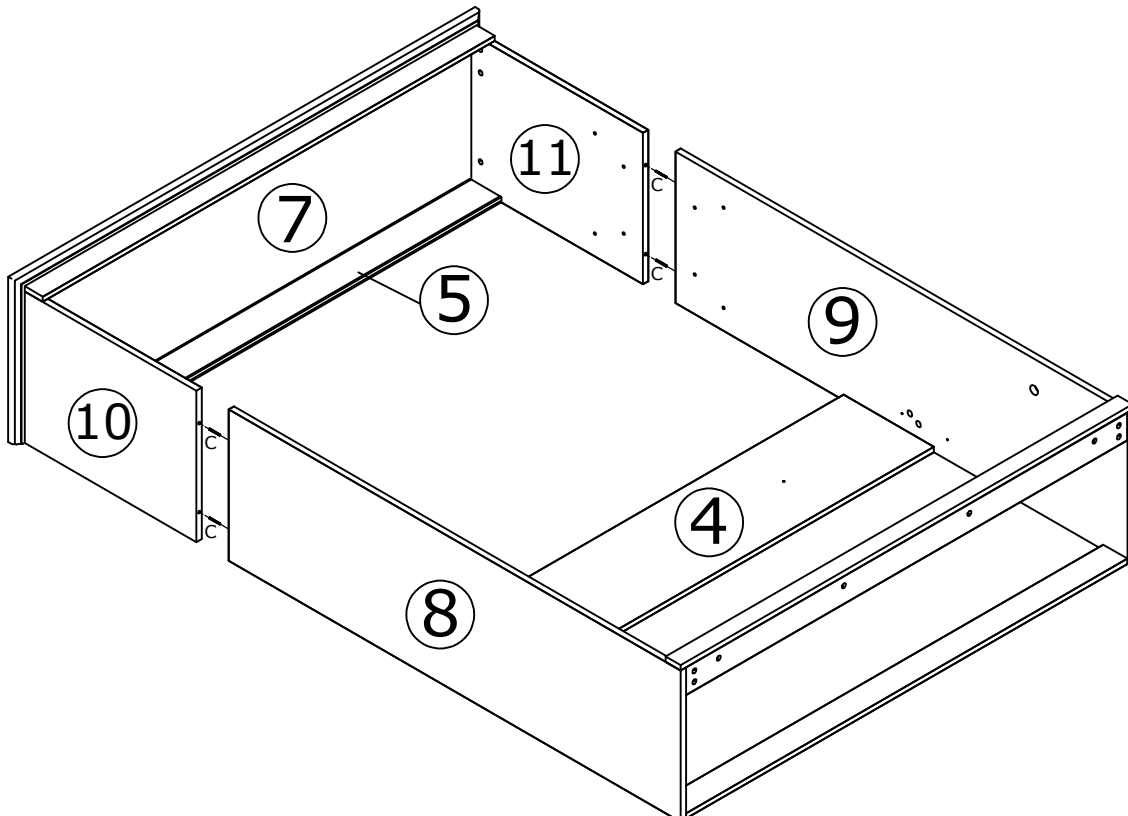
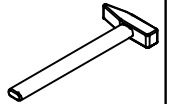
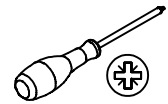


# 7

C x 4



Ø8\*30mm



# 8

F x 8

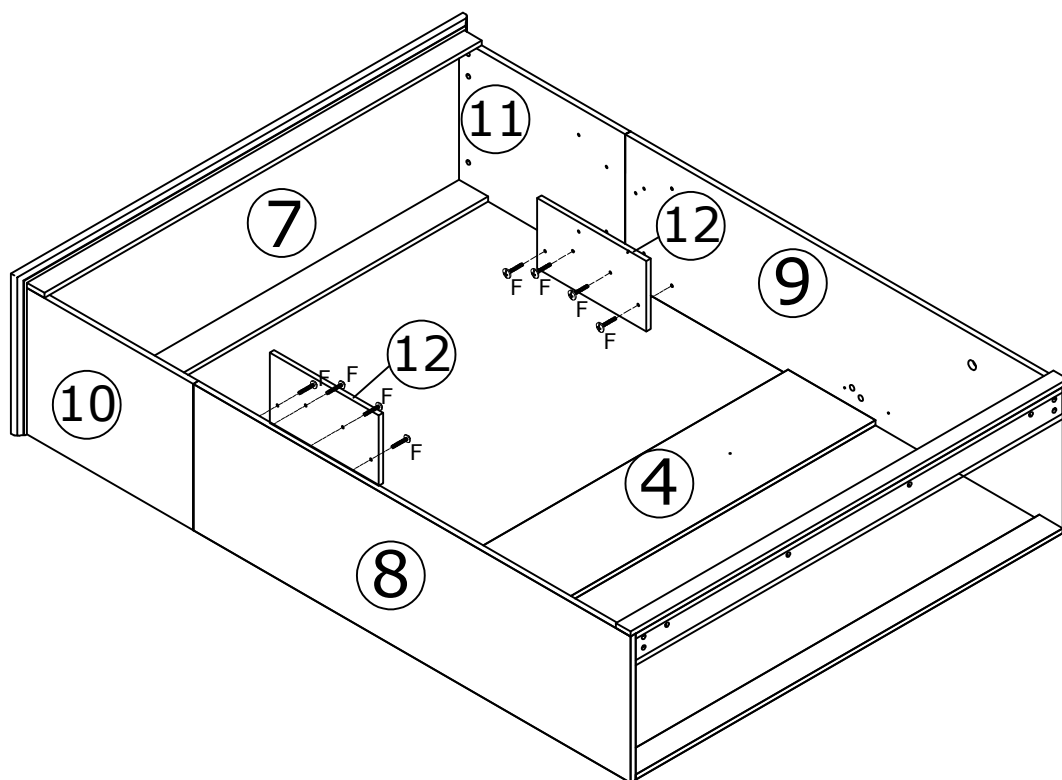
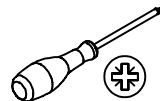


Ø6 x 20mm

F1 x 2



M4

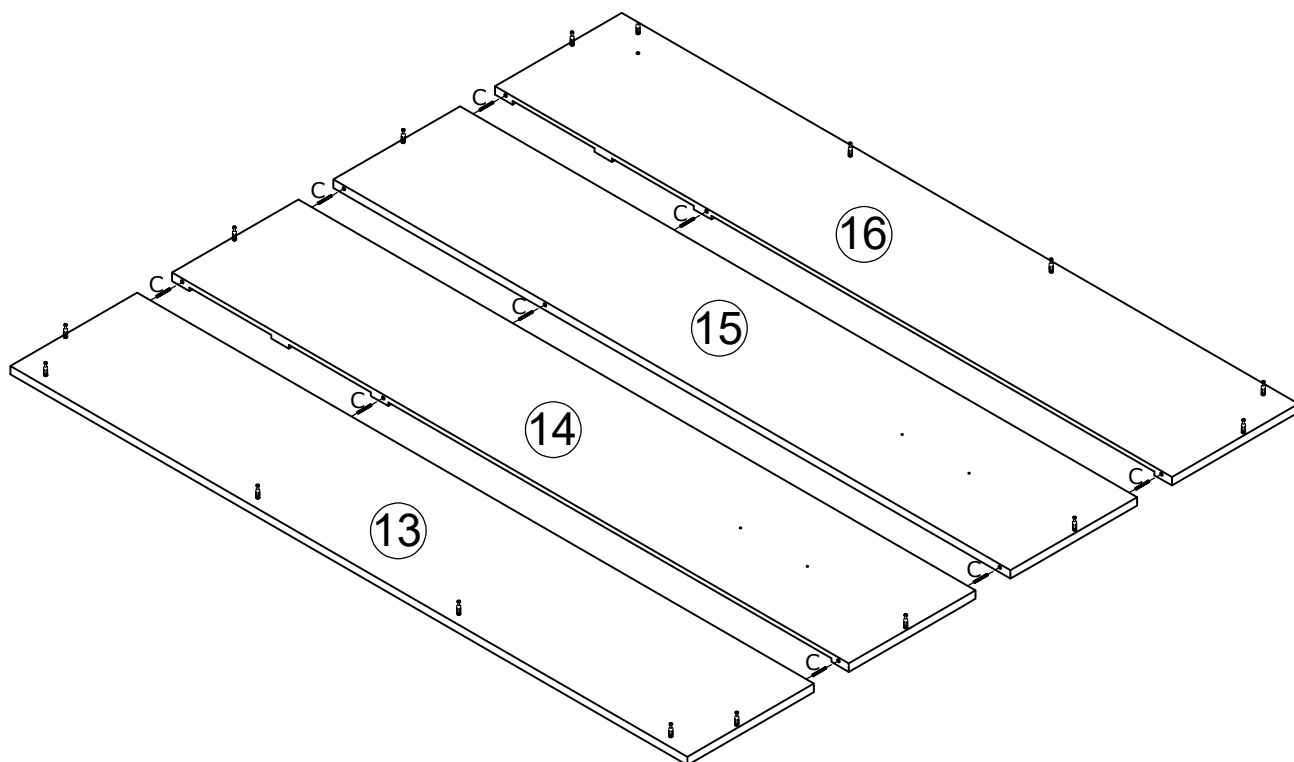
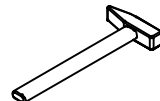
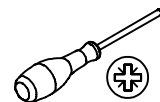


# 9

C x 9



Ø8\*30mm

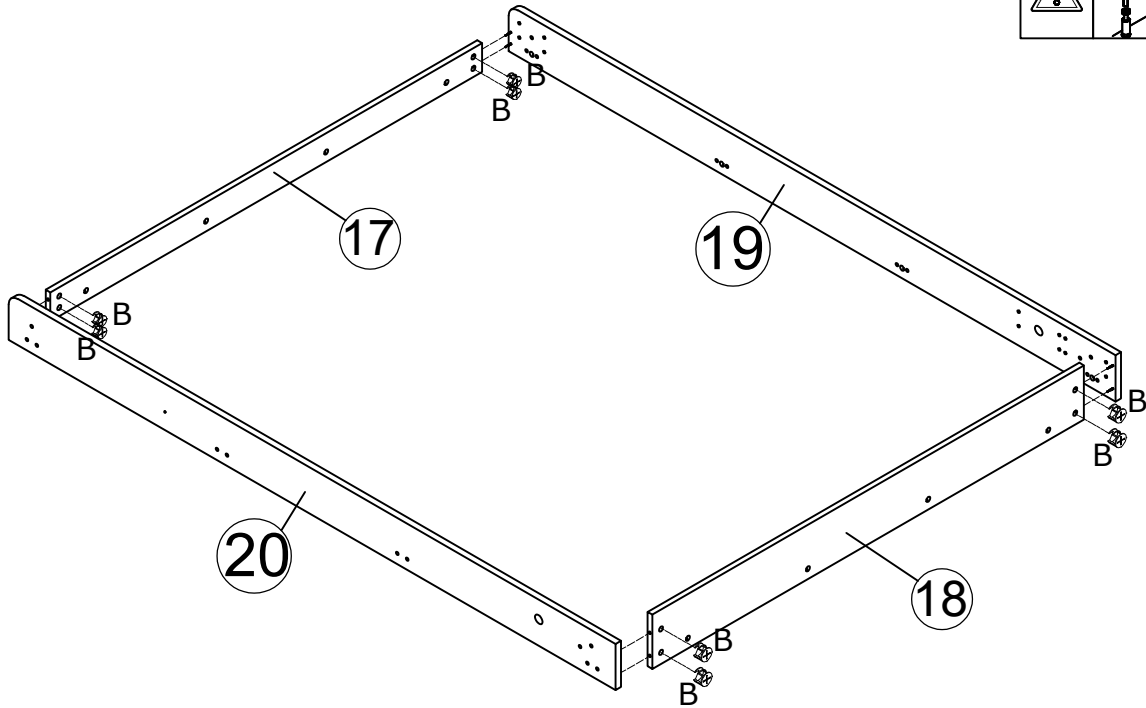
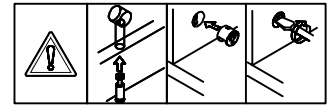
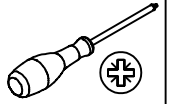


# 10

B x 8



Ø15 x 10mm

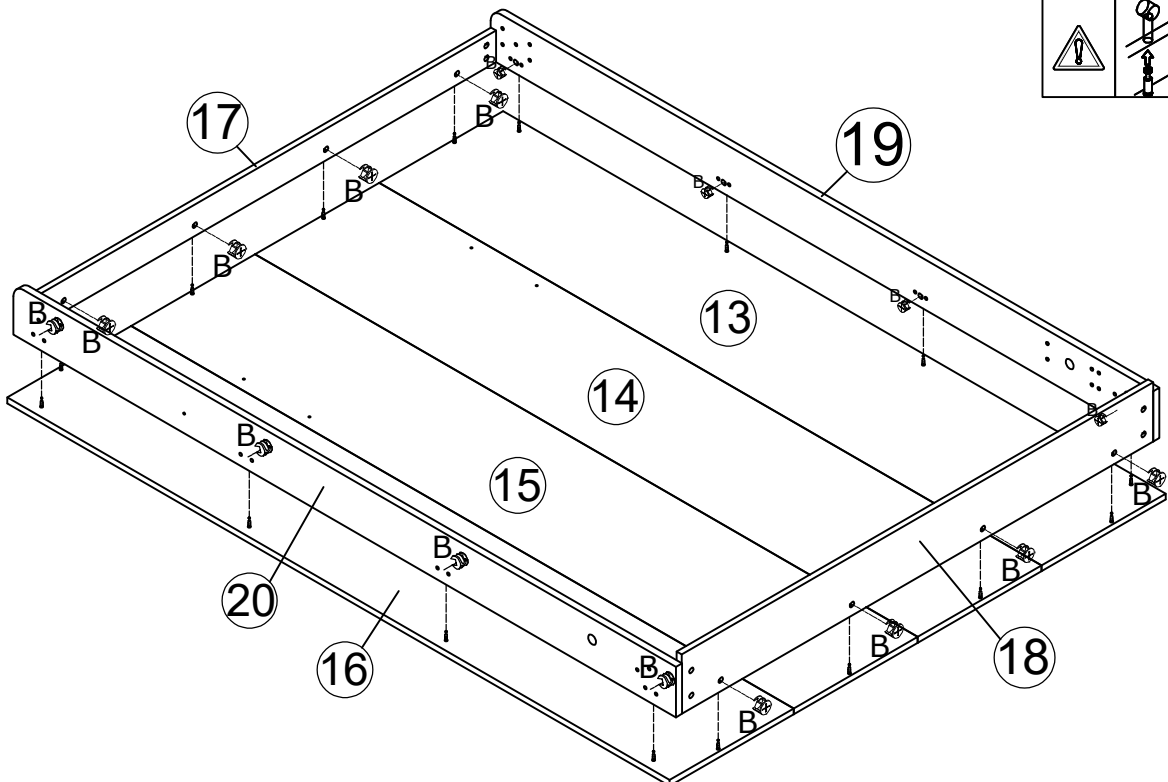
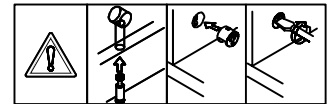
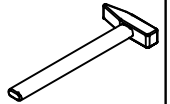
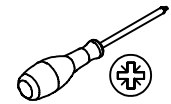


# 11

B x 16



Ø15 x 10mm



# 12

G x 16



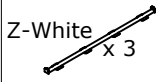
Ø6 x 12mm

H x 16



Ø6 x 16mm

ZW x 4



Z-White  
x 3

ZS x 4

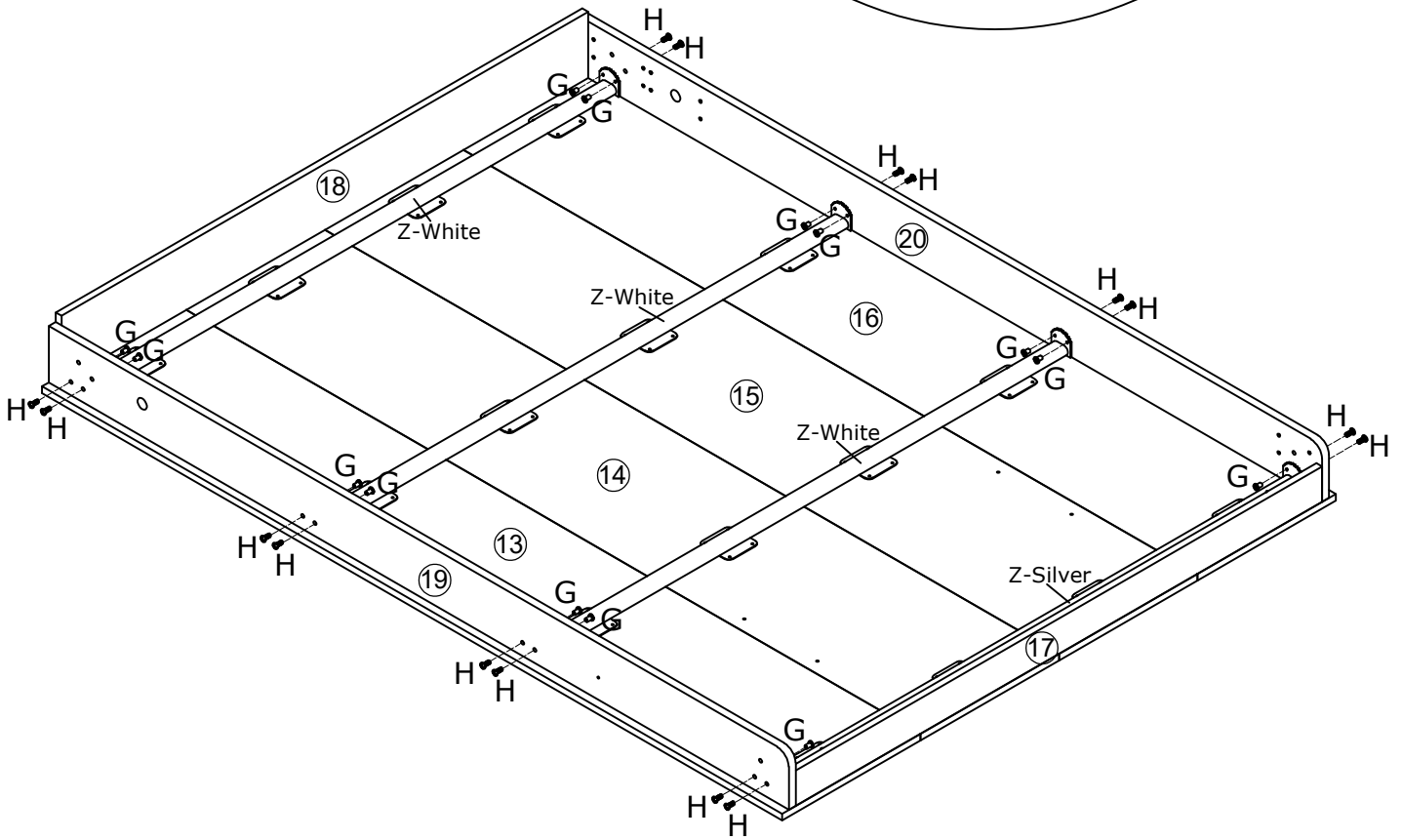
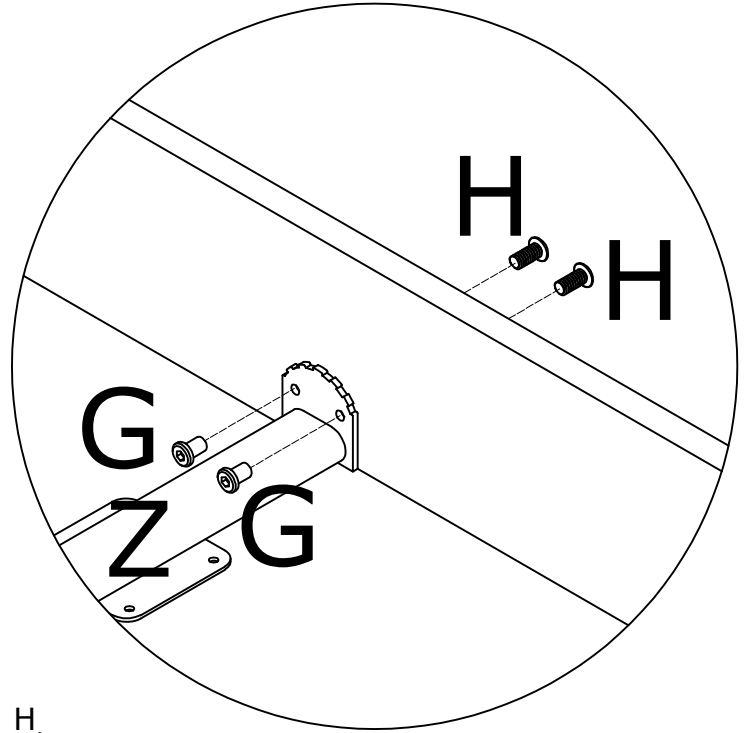
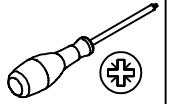


Z-Silver  
x 1

F1 x 2



M4

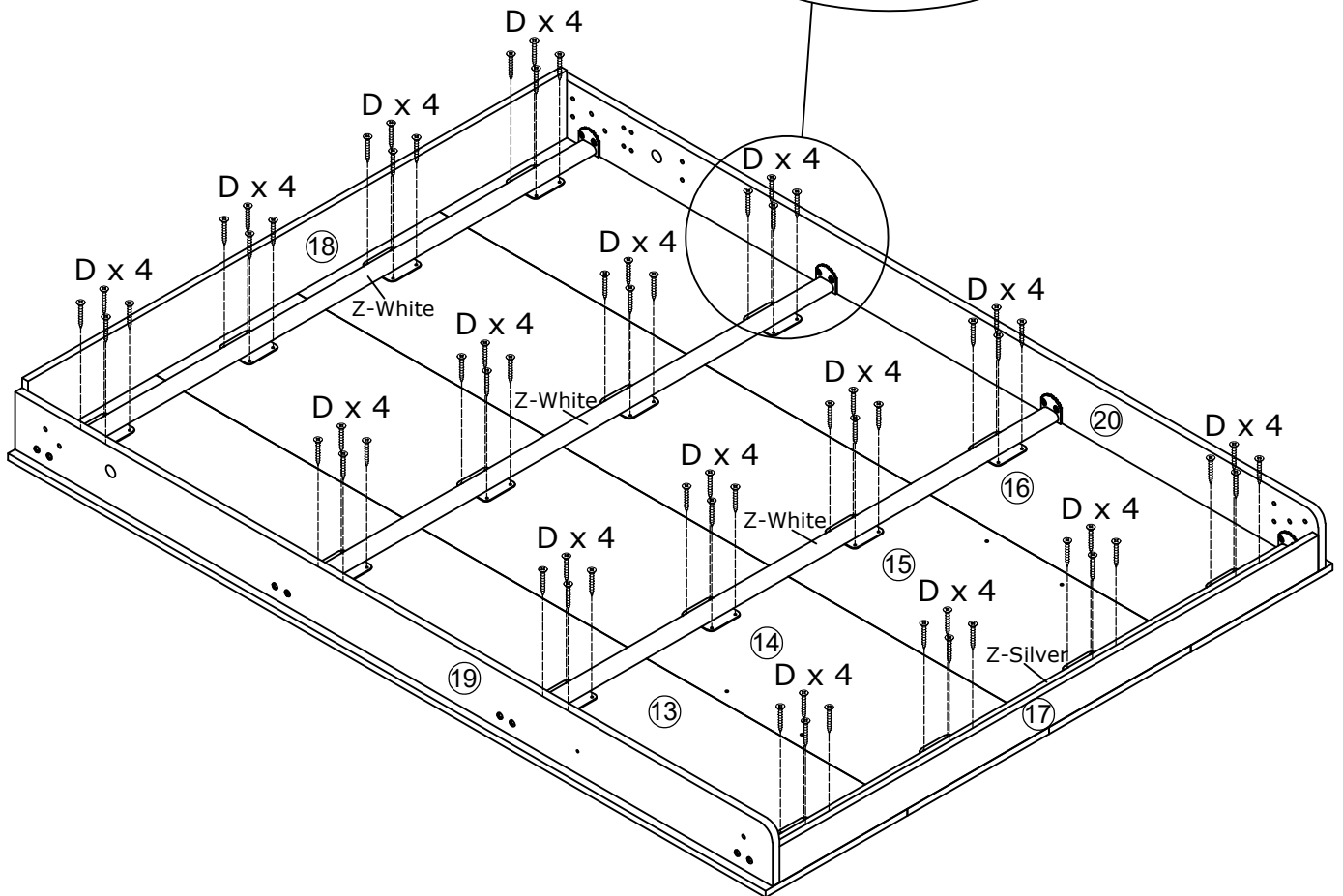
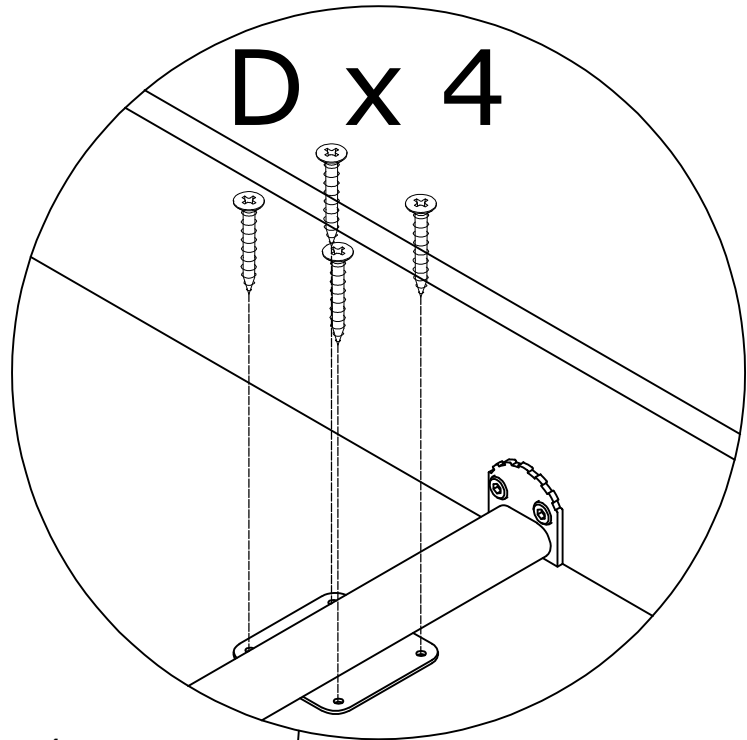
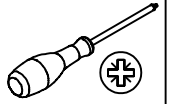


# 13

D x 64



Ø3.5 x 12mm



# 14

U x 2



150x60x3.5mm

W x 2



100x60x3.5mm

D1 x 16

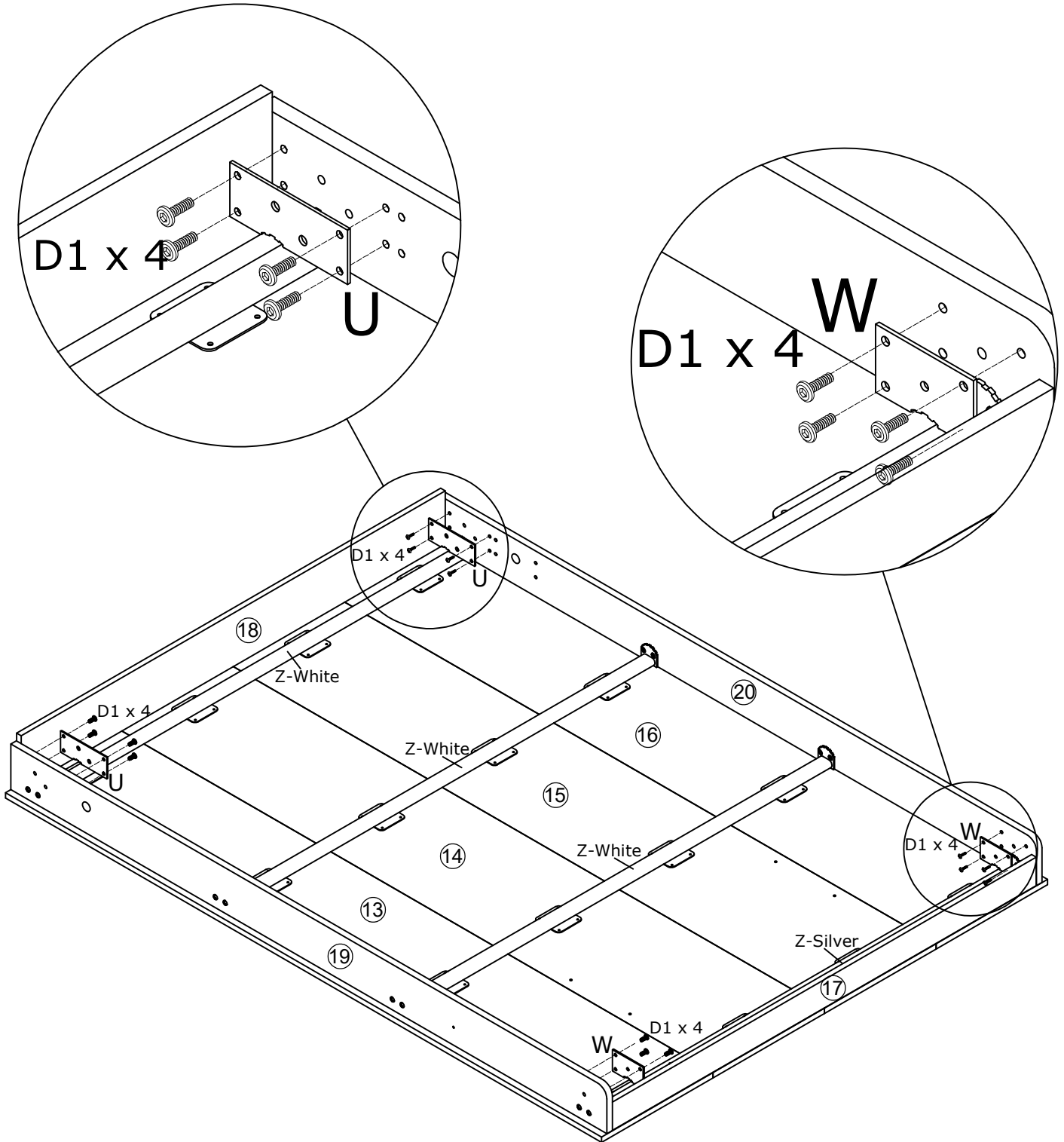
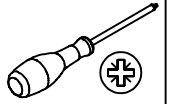


Ø6 x 12mm

F1 x 2



M4



# 15

D1 x 16

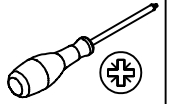


Ø6 x 12mm

H1 x 4

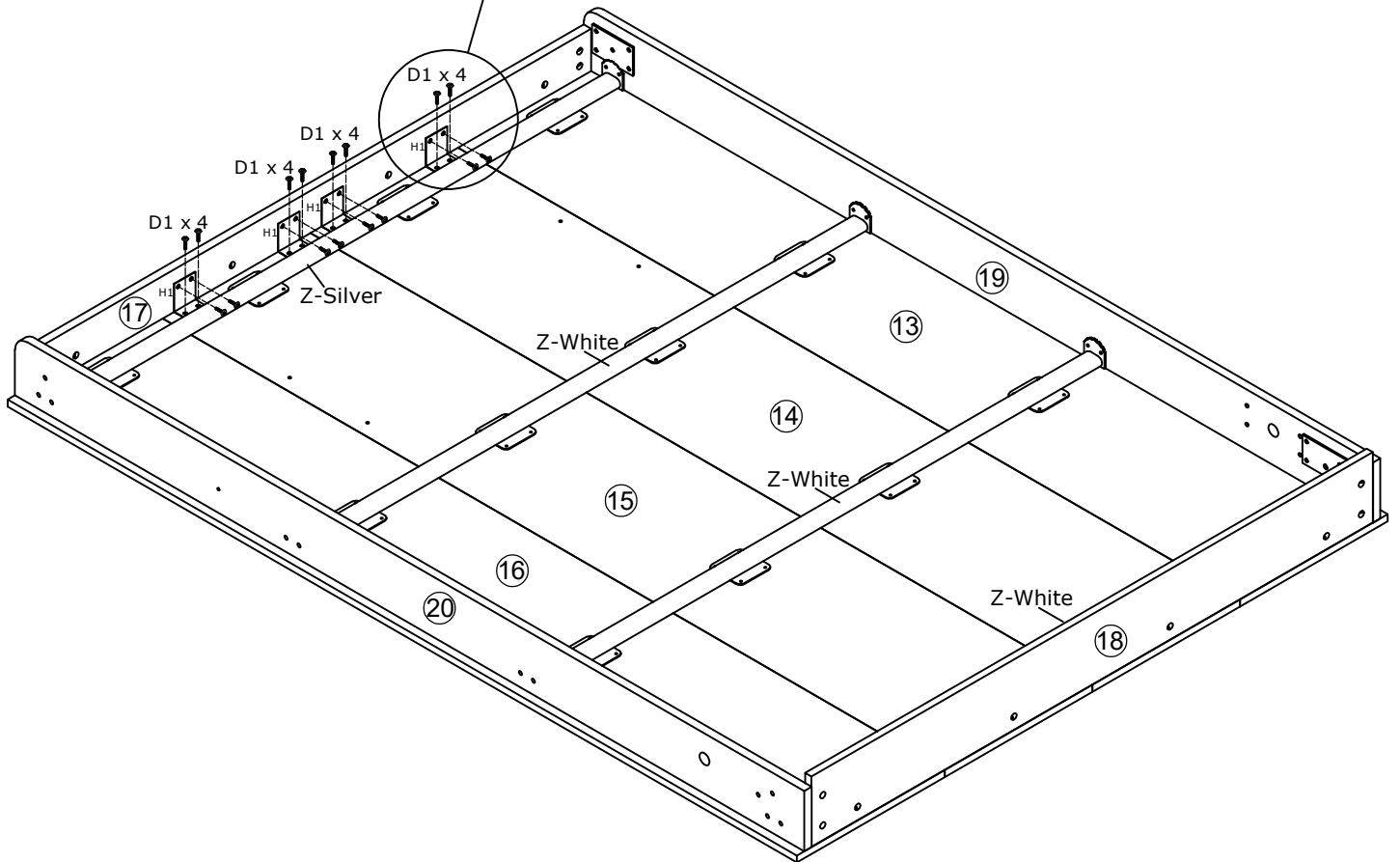


60\*52\*28mm



## D1 x 4

## H1



# 16

X x 2



D1 x 2



Ø6 x 12mm

L1 x 2



Ø6 x 43mm

L x 4

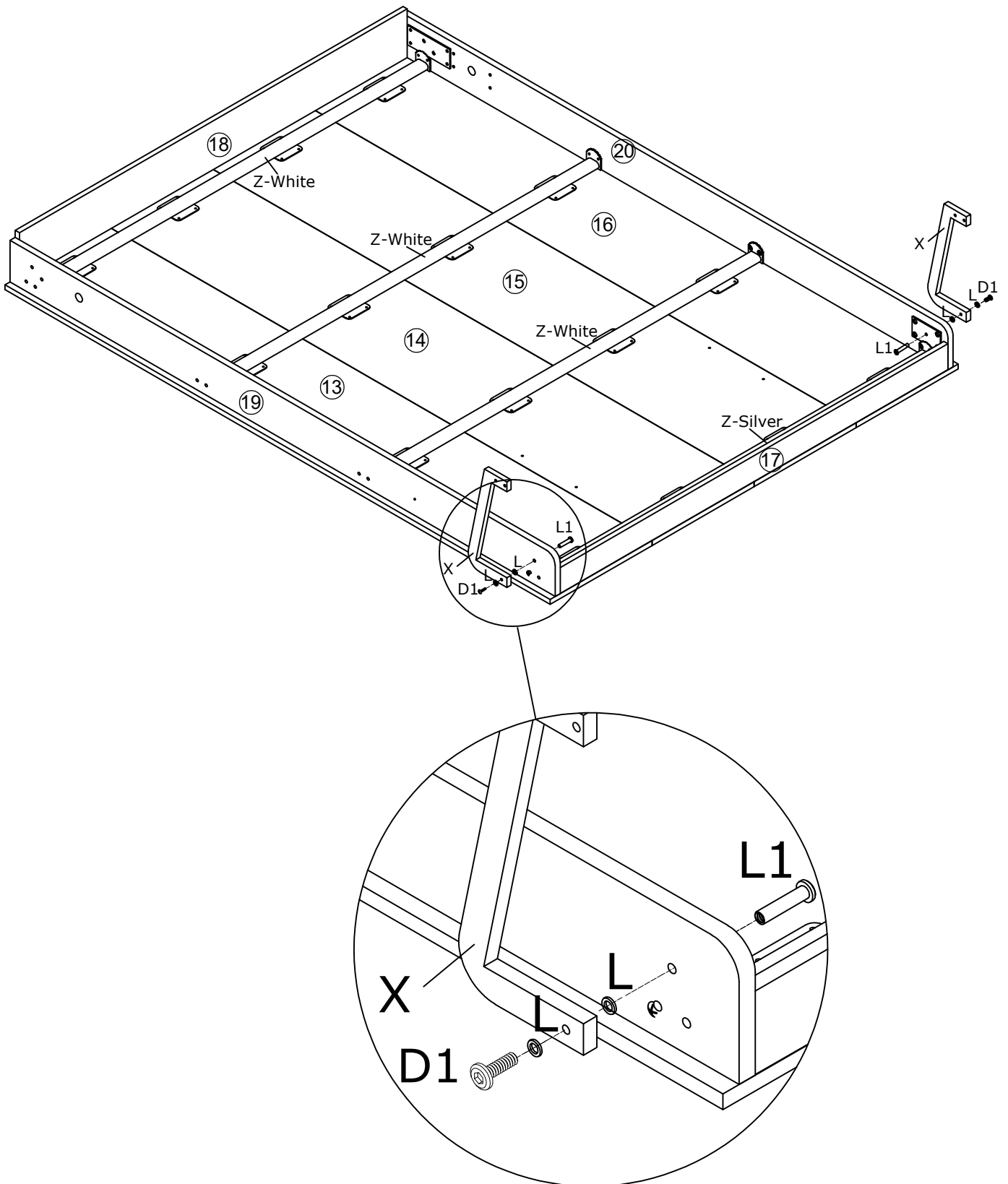
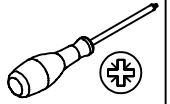


M8 x 2mm

F1 x 2



M4



# 17

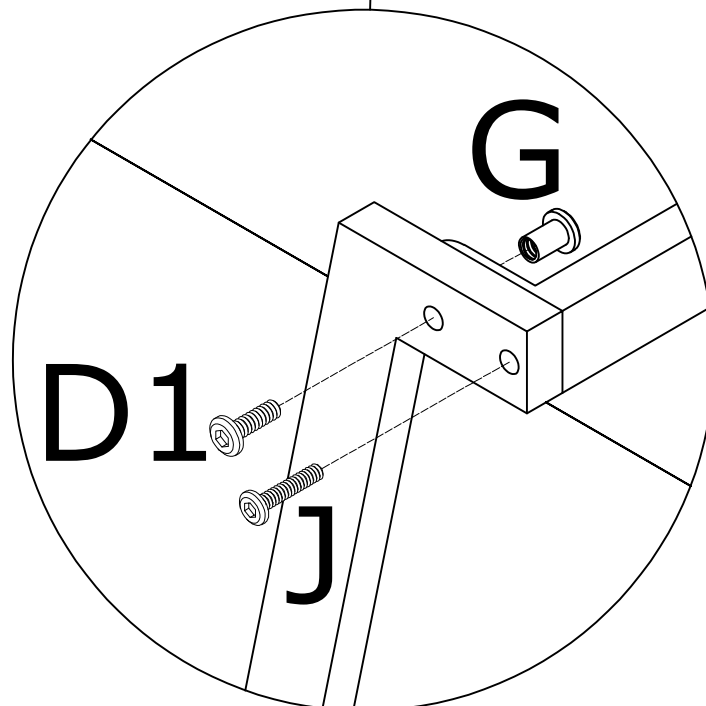
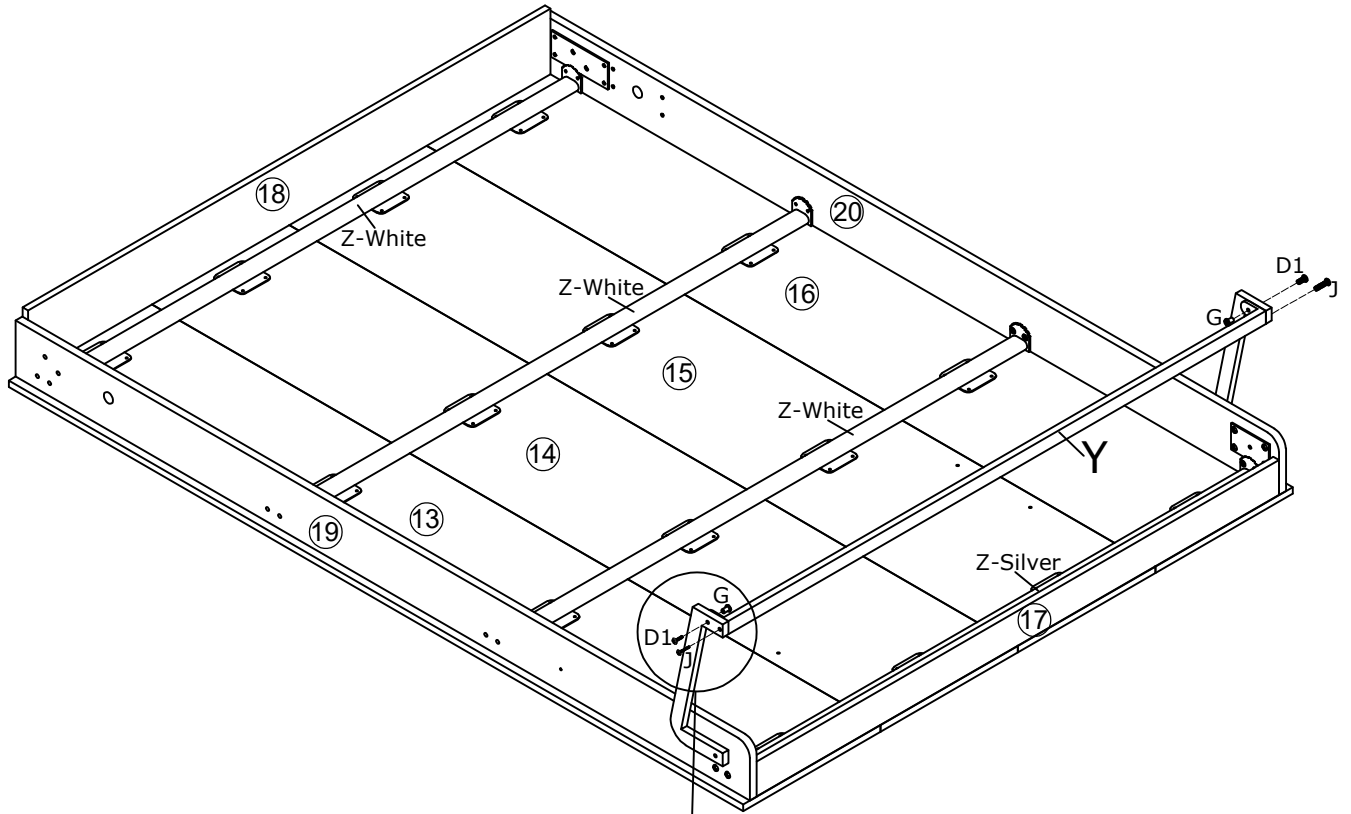
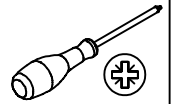
Y x 1  
1420x50x30mm

G x 2  
Ø6 x 12mm

J x 2  
Ø6 x 30mm

D1 x 2  
Ø6 x 12mm

F1 x 2  
M4



# 18

M x 2



350-500N

N x 2



350-630N

K x 4



Ø6 x 25mm

I x 4



Ø6 x 22mm

L x 4

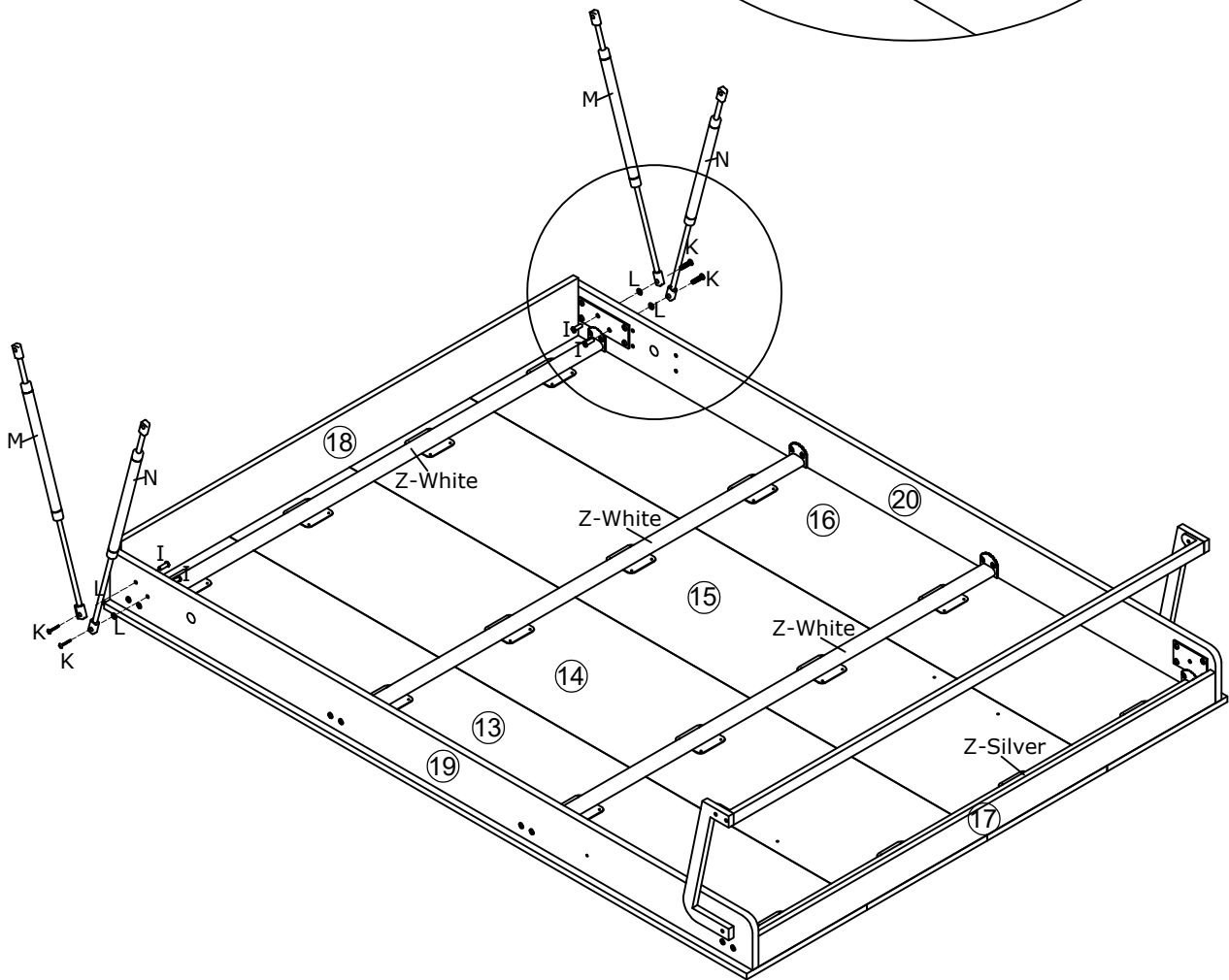
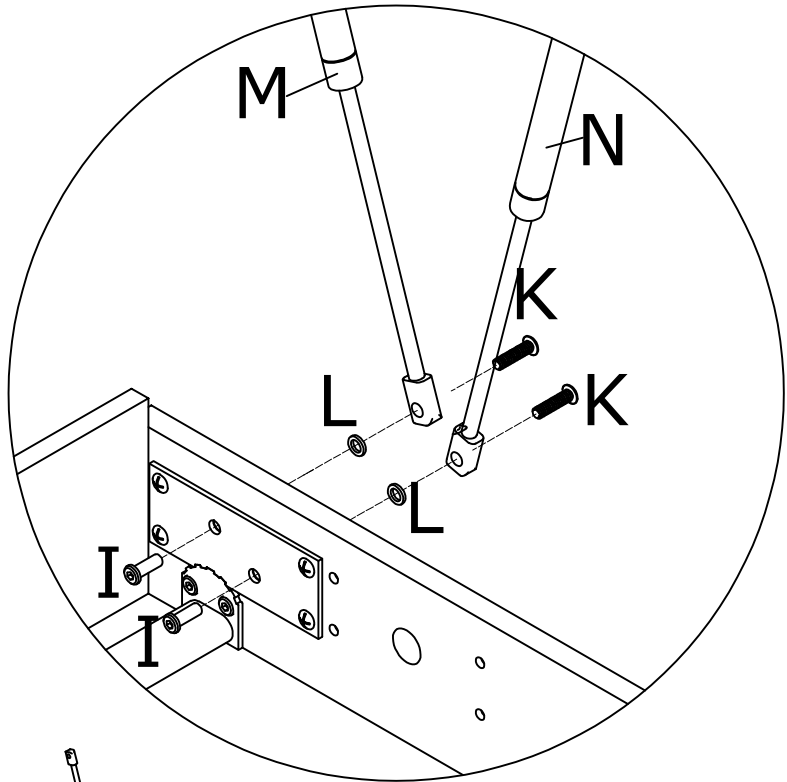
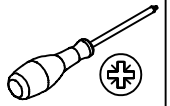


M8 x 2mm

F1 x 2



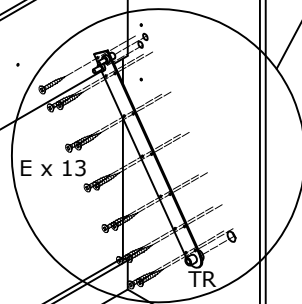
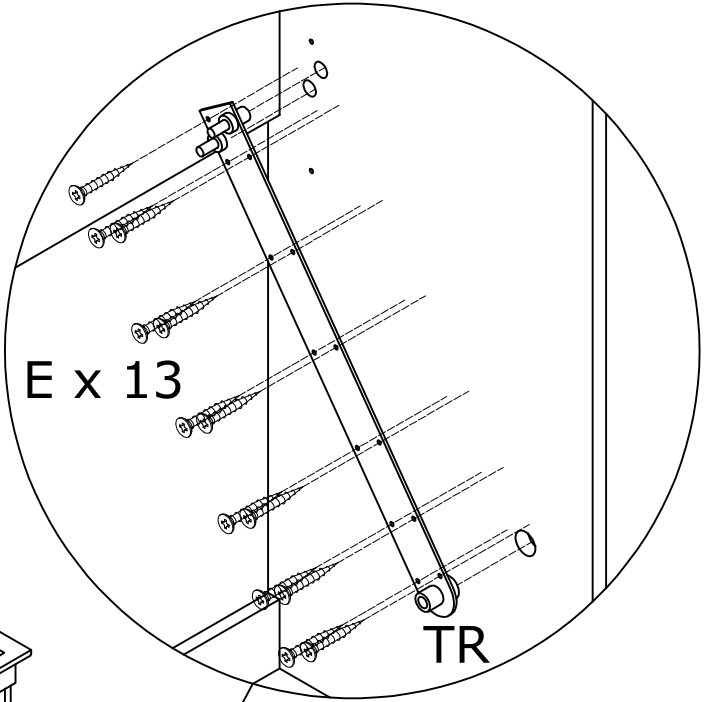
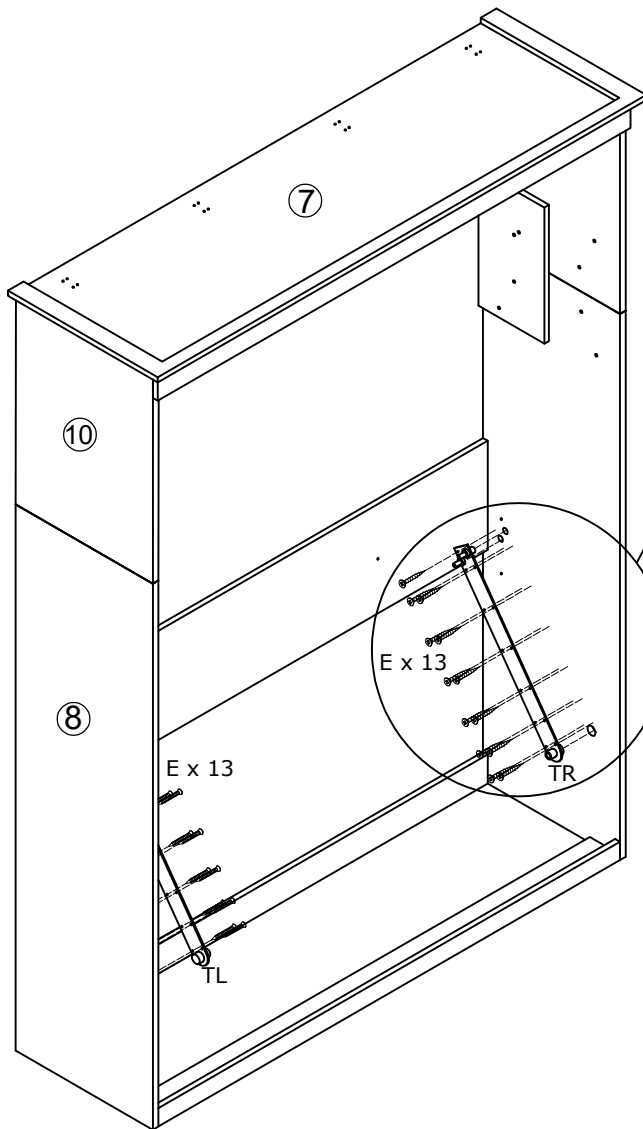
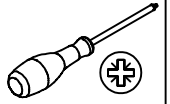
M4



# 19

E x 26  
Ø3.5x 20mm

T x 2  
TL TR



# 20

V x 2



150x60x3.5mm

D1 x 8



Ø6 x 12mm

J1 x 2

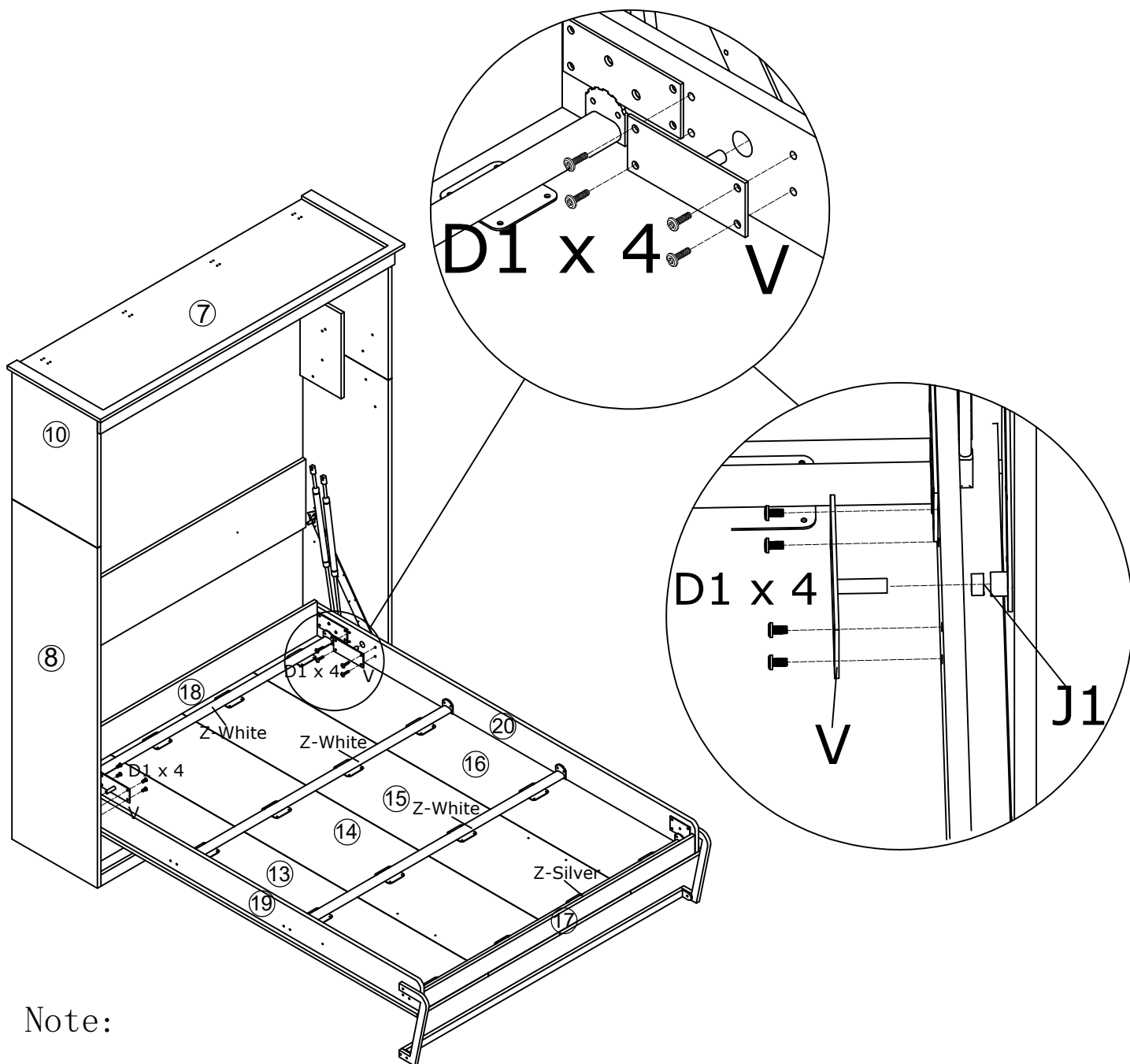
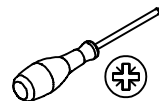


M12. 2\*15\*8mm

F1 x 2



M4



Note:

1. This installation step requires three people.
2. Two people should lift the bed frame (i.e., boards 13 - 20) and move it towards the bed box.
3. Thread Part V through boards 19 and 20 and insert it into the lower end of Part T. Install it as shown in the enlarged diagram. Make sure the gaps on both sides are consistent.
4. After fixing the screws, flip the bed frame upwards by 90 degrees to install the other end of the gas strut.

# 21

Q x 4



M8

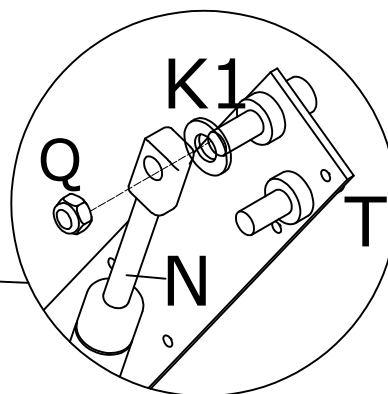
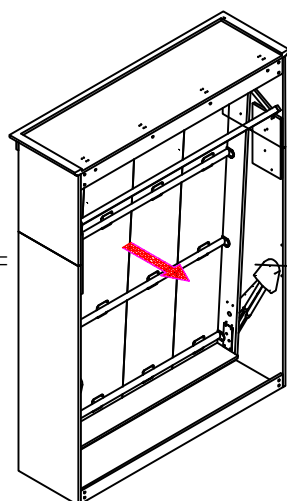
K1 x 4



M10\*20\*2mm

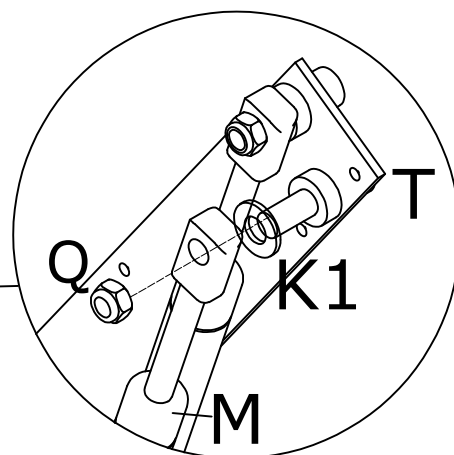
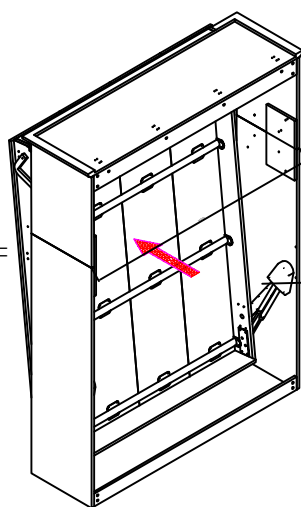


Push it inwards =

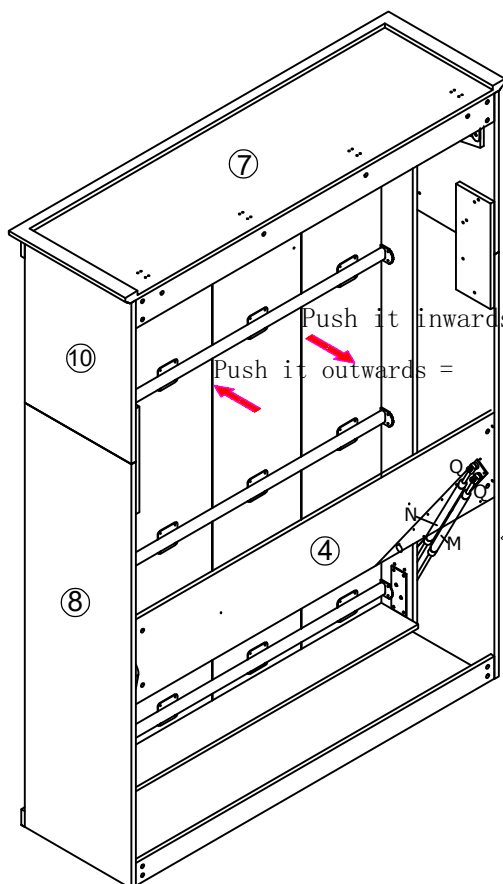


STEP1: Push it inwards =

Push it outwards =



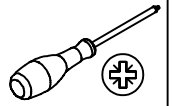
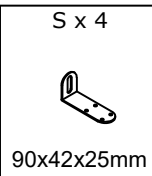
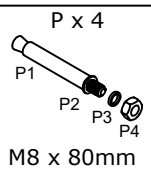
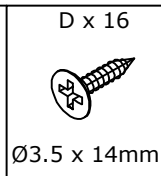
STEP2: Push it outwards =



Note: After flipping, as shown in the figure, install the other end of the gas strut onto the corresponding stud of Part T. During the process, as shown in the enlarged diagram, you can flip the bed frame slightly back and forth to facilitate placing the gas strut onto the stud. Follow the steps for installation. After that, simply lock on the nut. (Note: There is no need to compress the gas strut.)

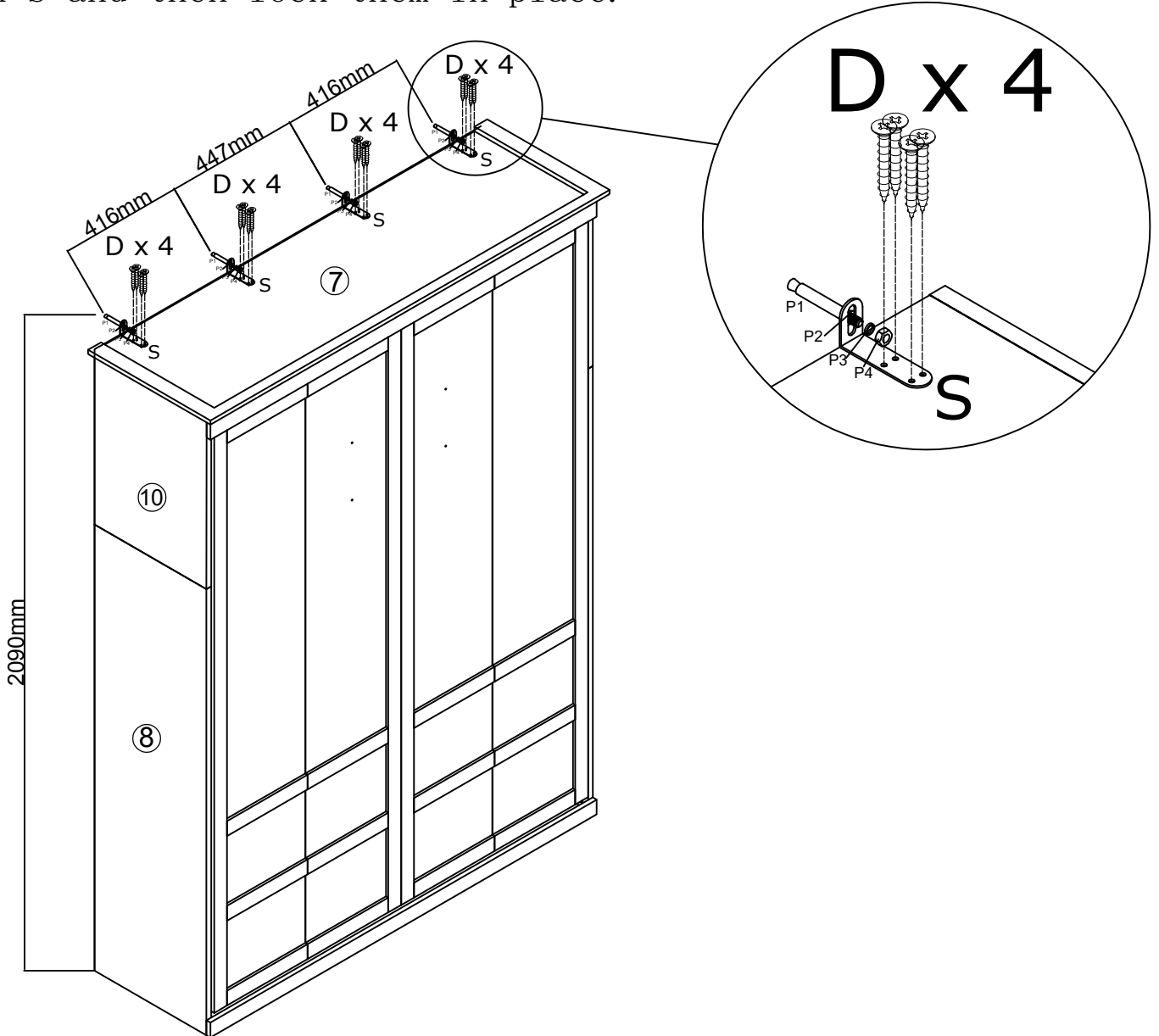
=

# 22



Note:

1. The wall must be constructed of solid brick, concrete, or other rigid structures.
2. Use a professional tool to drill a hole with a diameter of 10 mm and a depth of 60 mm in the wall, following the size indicated by the icon.
3. Insert the P1 expansion rod into the wall hole.
4. Next, move the cabinet body horizontally to align P1 with S and then lock them in place.



Note: Don't open the bed body before the cabinet is securely fastened to the wall. Otherwise, the cabinet could collapse.

# 23

A1 x 2

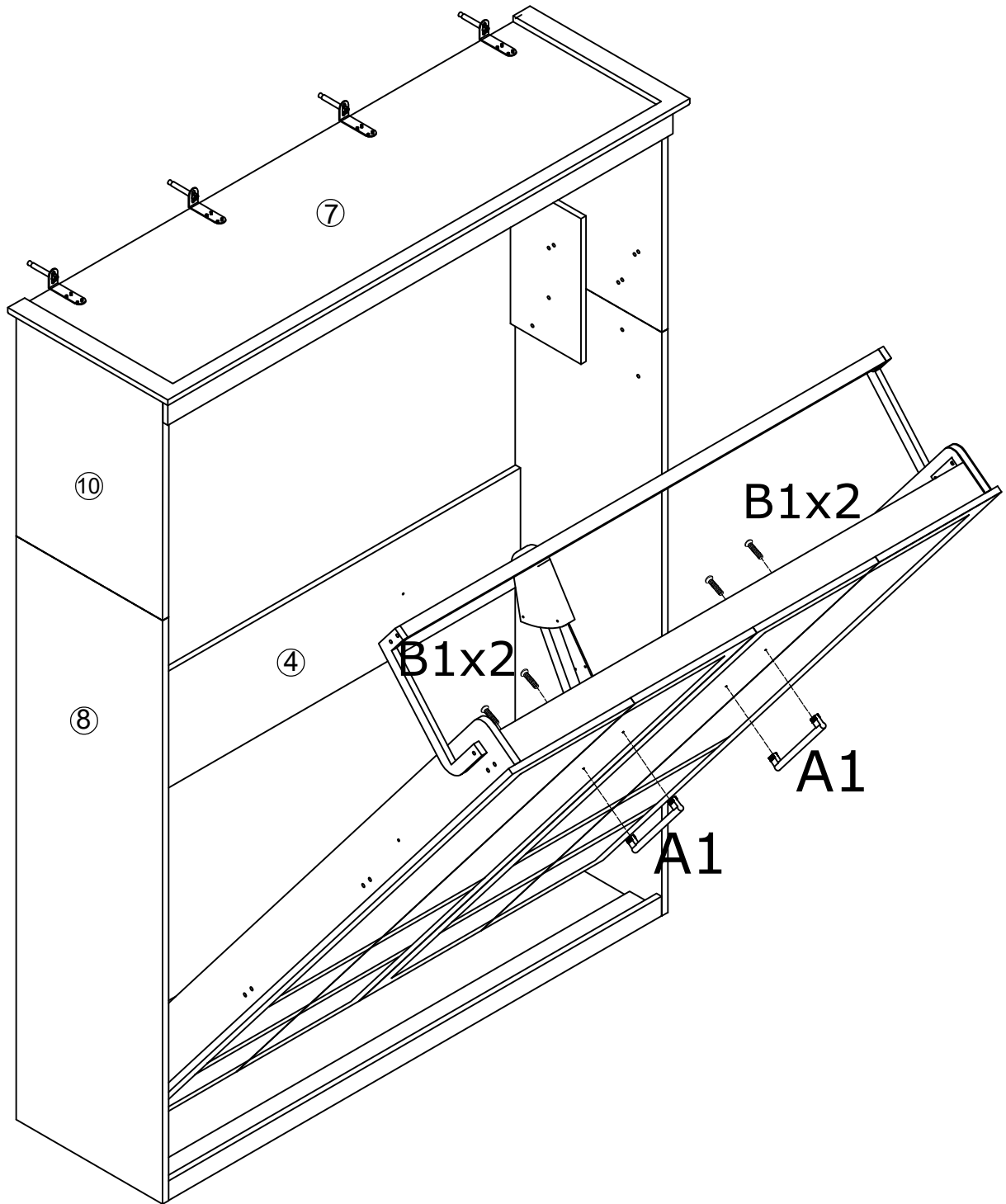
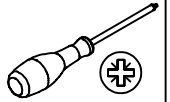


192mm

B1 x 4



Ø4 x 18mm



Note: Install the handle when the cabinet is opened to the halfway point.

# 24

R x 2



E1 x 6



Ø3.5 x 30mm

F x 8

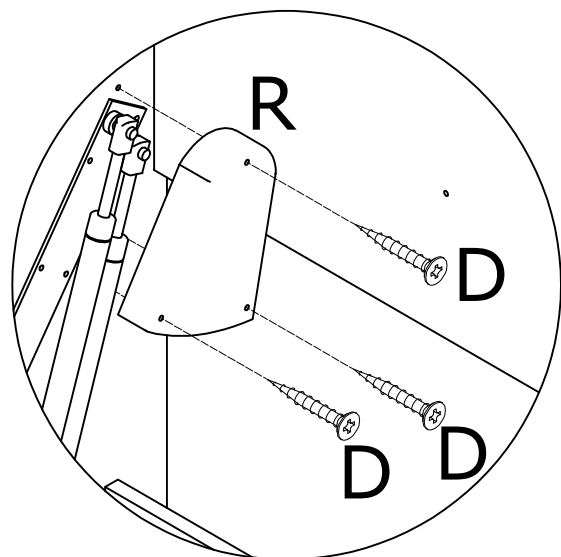
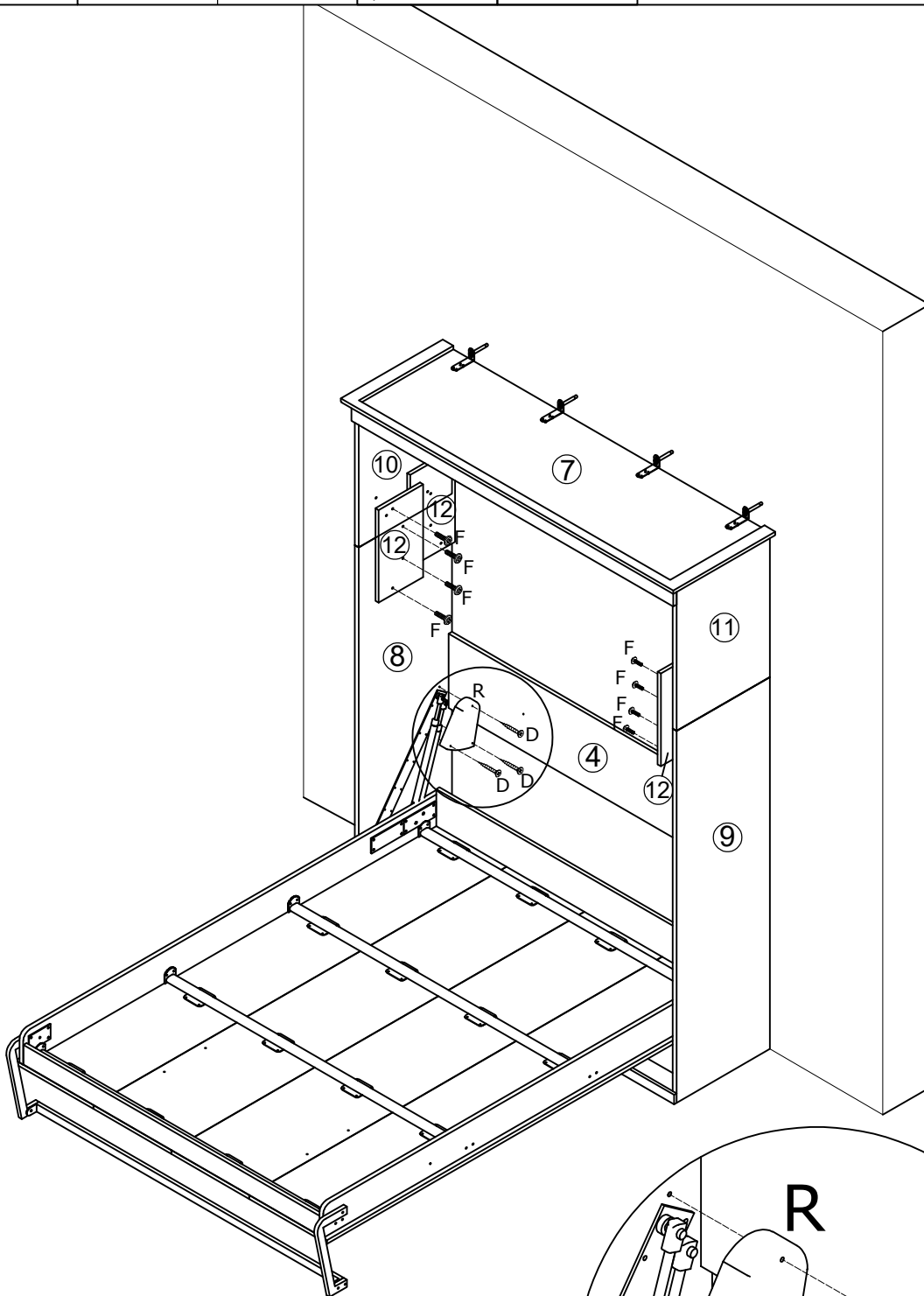
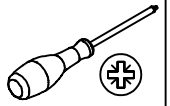


Ø6 x 20mm

F1 x 2



M4



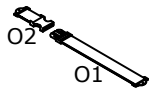
# 25

D x 2



Ø3.5 x 14mm

O x 1

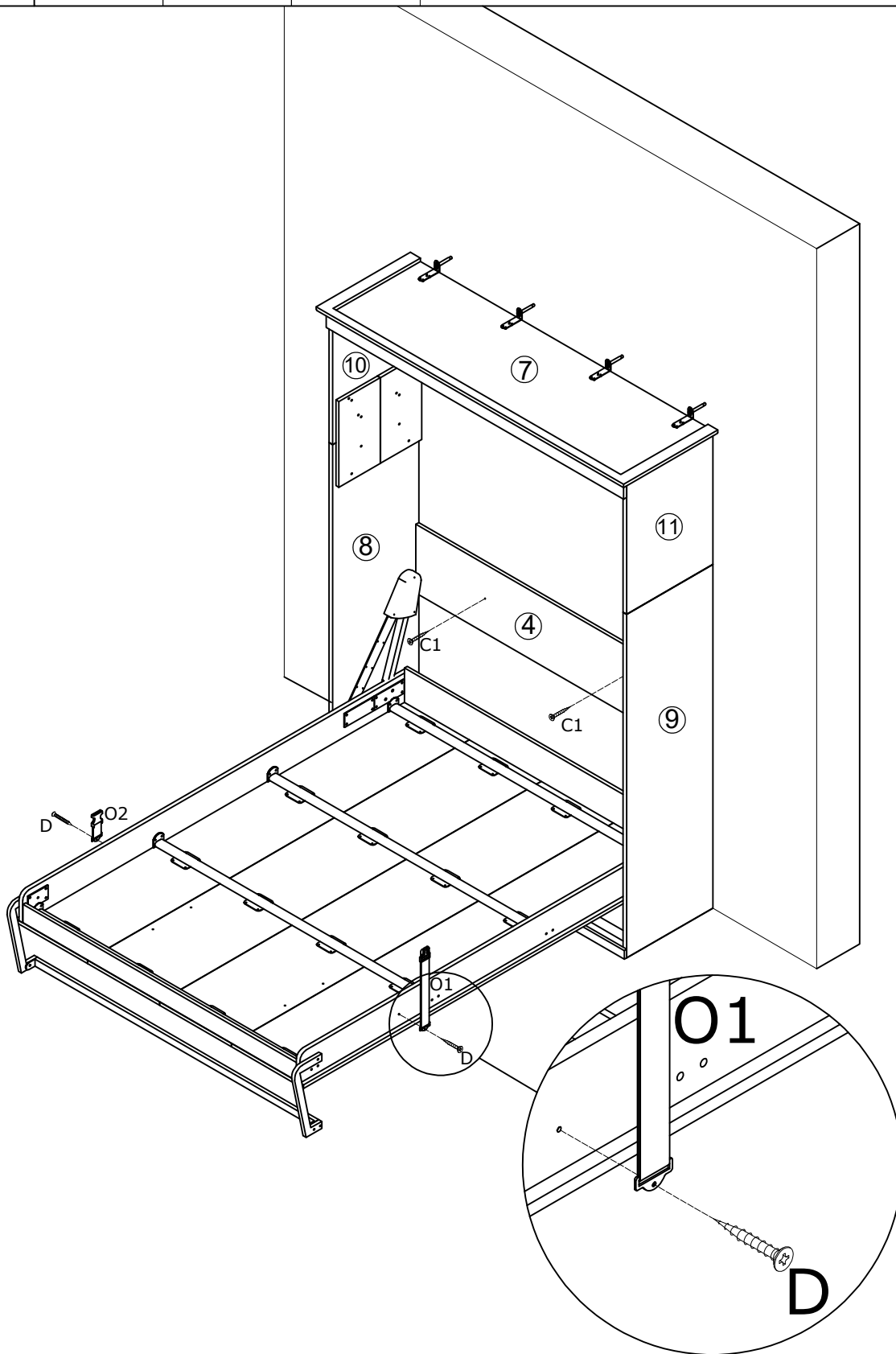
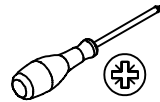


2M

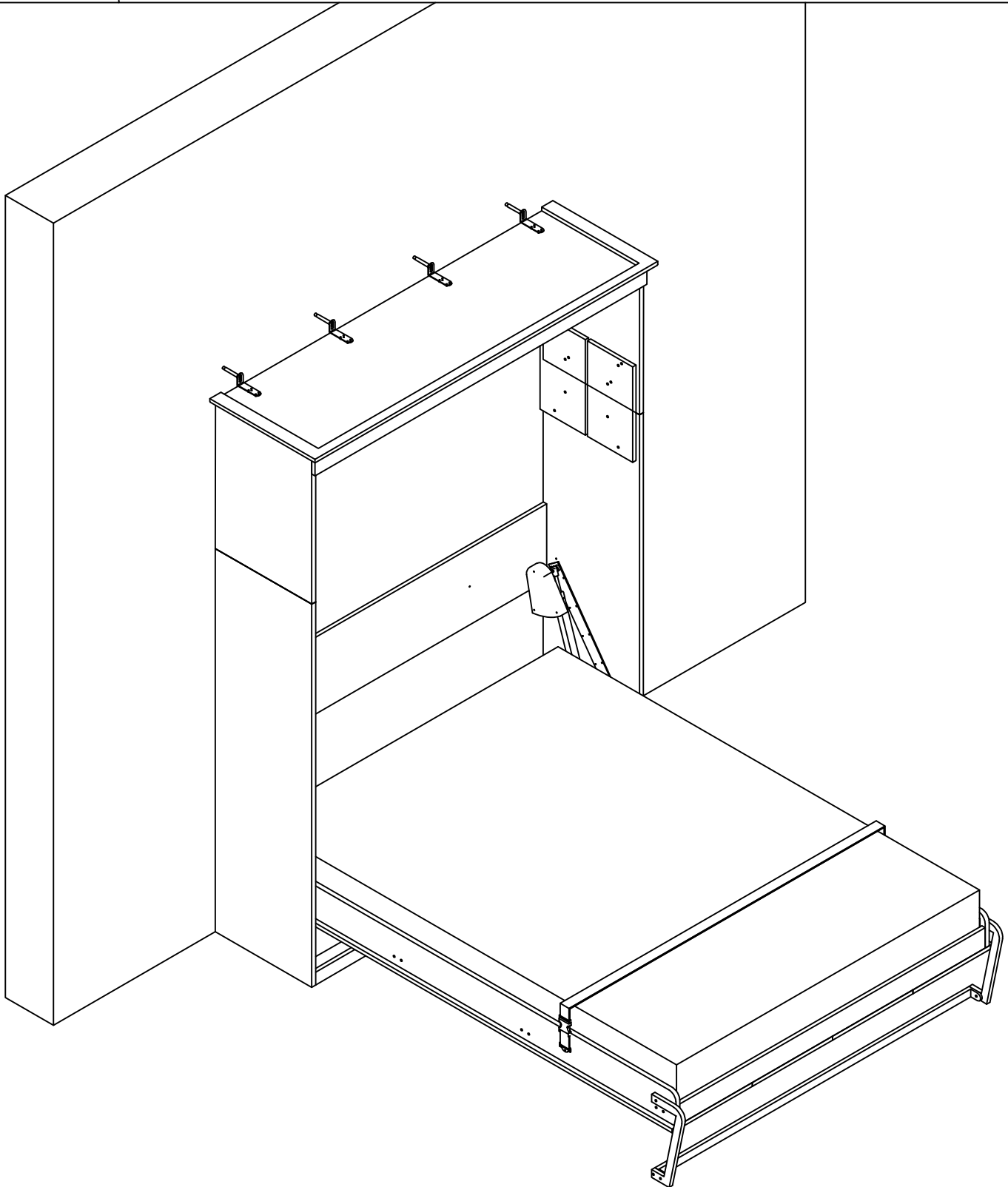
C1 x 2



Ø6 x 60mm



Note: When the empty frame is pulled down, it exerts a significant amount of force and rebounds. This is a normal phenomenon. The empty frame cannot be laid completely flat; a mattress and door panel are required to add weight to it.



For mattress fixation