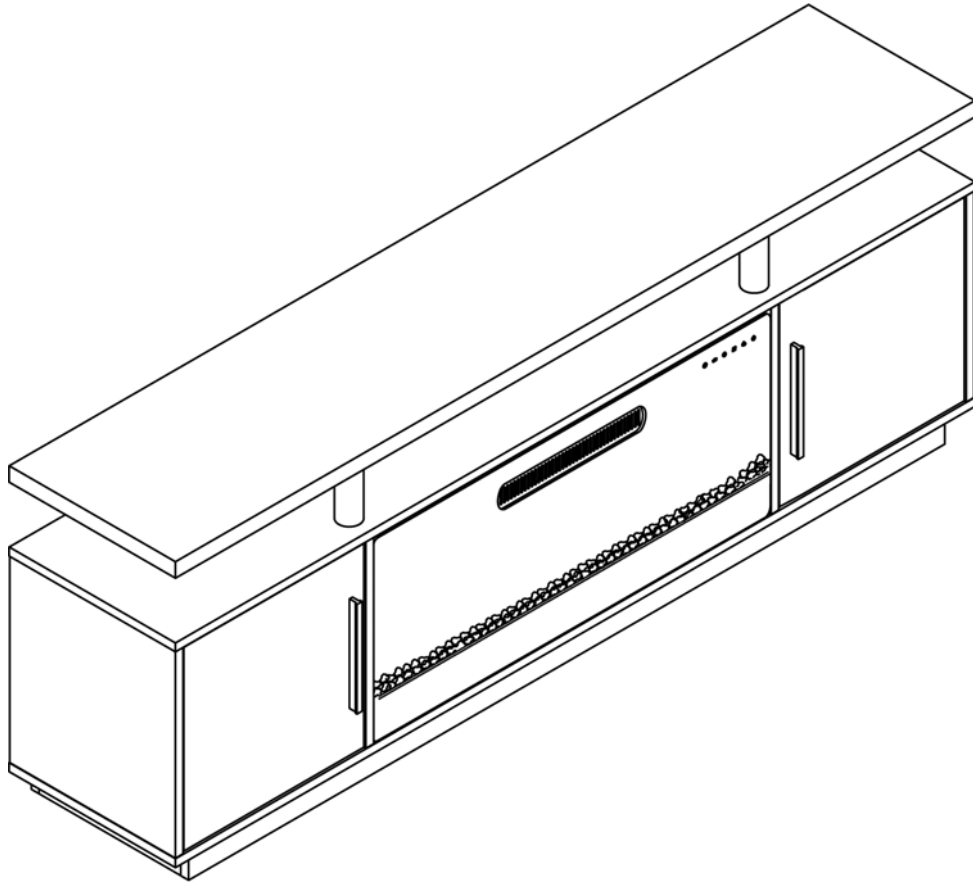


Fireplace



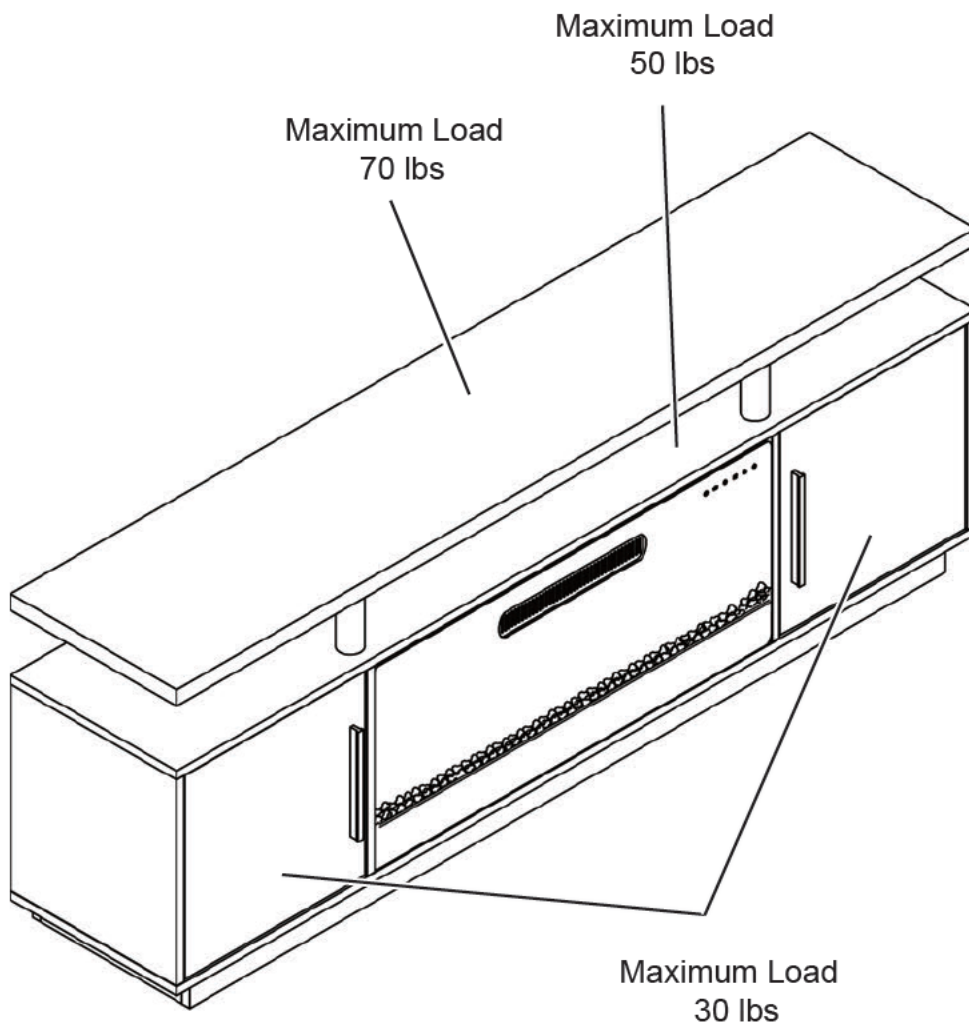


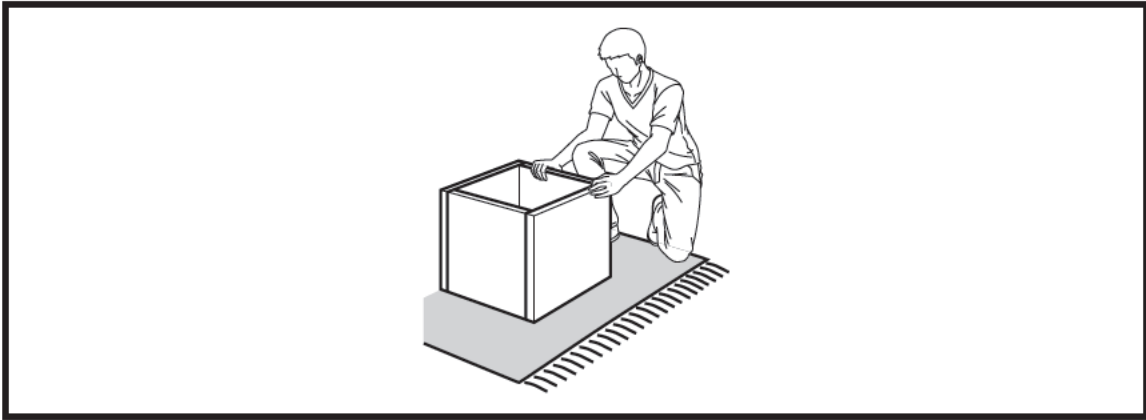
Estimated time for assembly:

90 mins



Weight limitations are as follows:

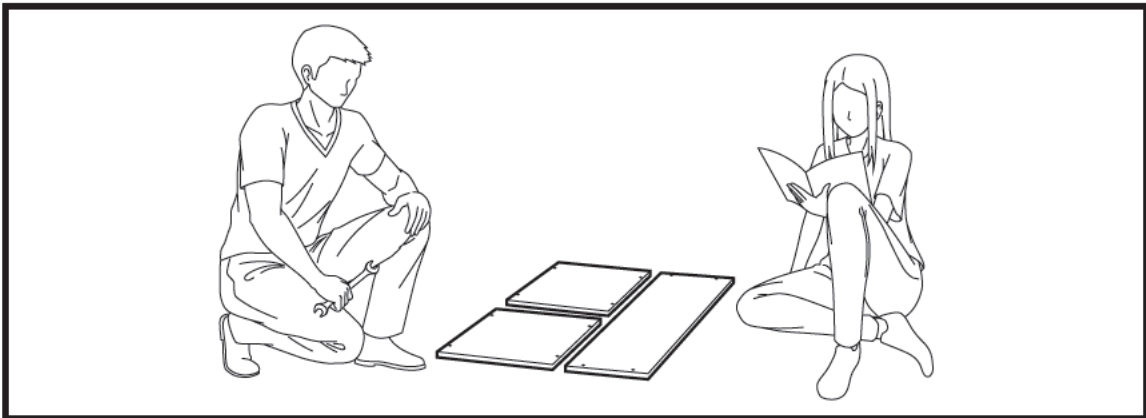




Assemble the furniture on an empty carton, carpet, or rug to prevent scratches or damage.

For safety, please keep pets and children away from the assembly area.

Ensure the product is fully assembled before use. If you are missing any hardware or products, do not use it until you have restored the missing parts.



This furniture requires 2 people for assembly.

Read this instruction manual prior to assembly to familiarize yourself with the various steps.

Lay out all components and hardware separately on a flat surface and make sure that no parts are missing or damaged before assembly. Do not destroy or discard any packaging until you are certain that you have all the necessary parts for assembly.

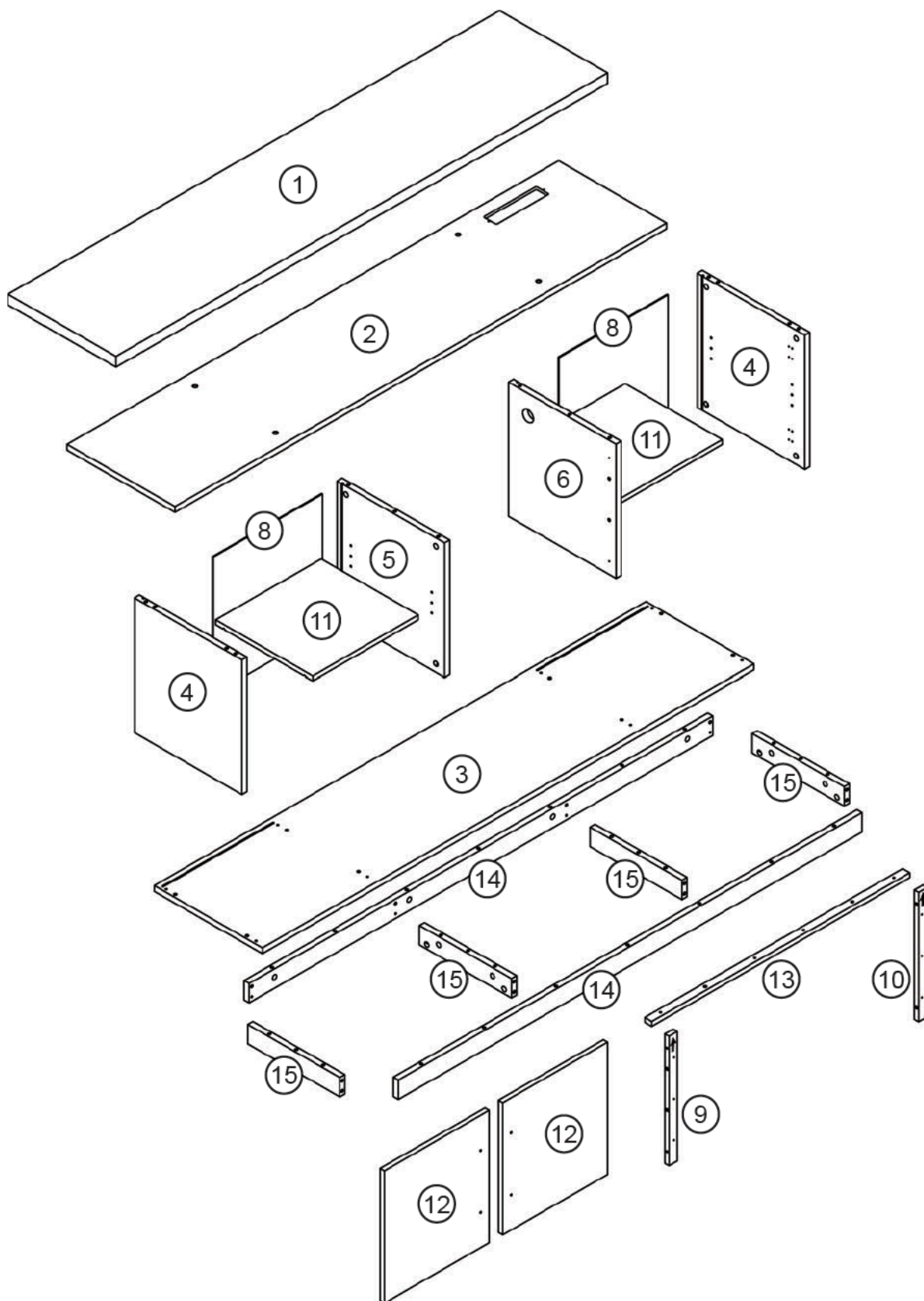
Hand tight all hardware and careful not to over tighten to avoid damaging the product.

CAUTION

There are small components used in the construction of this product. Loose items should be kept away from pets and children to avoid a choking hazard.

Keep all plastic bags and packaging film away from pets and children to avoid suffocation.

PACKAGE CONTENTS



PACKAGE CONTENTS

CODE	DESCRIPTION	QTY
1	Top Panel	1
2	Middle Panel	1
3	Bottom Panel	1
4	Left / Right Side Panel	2
5	Left Medial Panel	1
6	Right Medial Panel	1
8	Back Panel	2
9	Left Surround Panel	1
10	Right Surround Panel	1
11	Storage Shelf Panel	2
12	Cabinet Door	2
13	Top Surround Panel	1
14	Short Base Panel	2
15	Long Base Panel	4

PACKAGE CONTENTS



40x + 4x



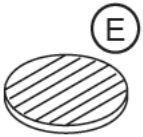
40x + 4x



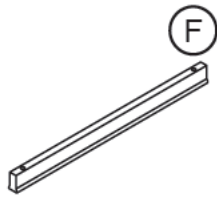
32x + 3x



6x



40x + 4x



2x



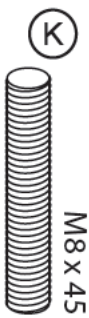
4x



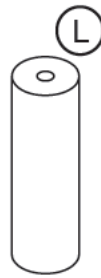
4x



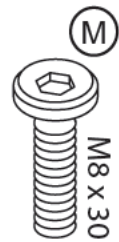
24x + 2x



4x



4x

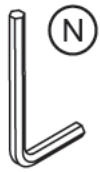


4x



Install all hardware perpendicular to the opening.

PACKAGE CONTENTS



1x



8x



8x



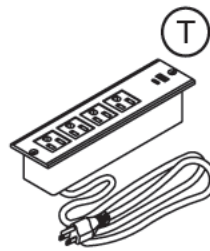
8x



8x



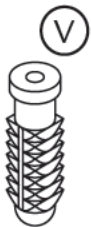
6x



1x



2x



2x



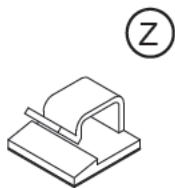
2x



2x



2x

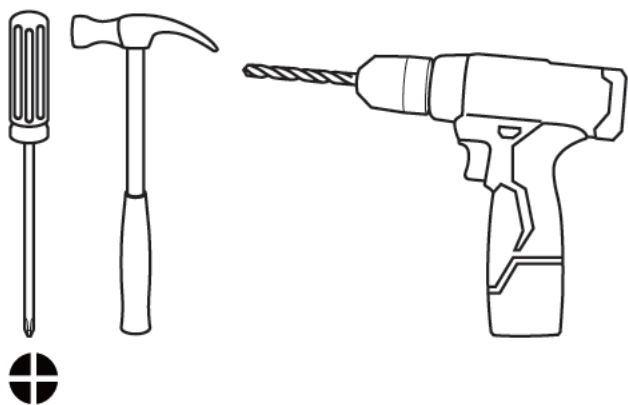


5x



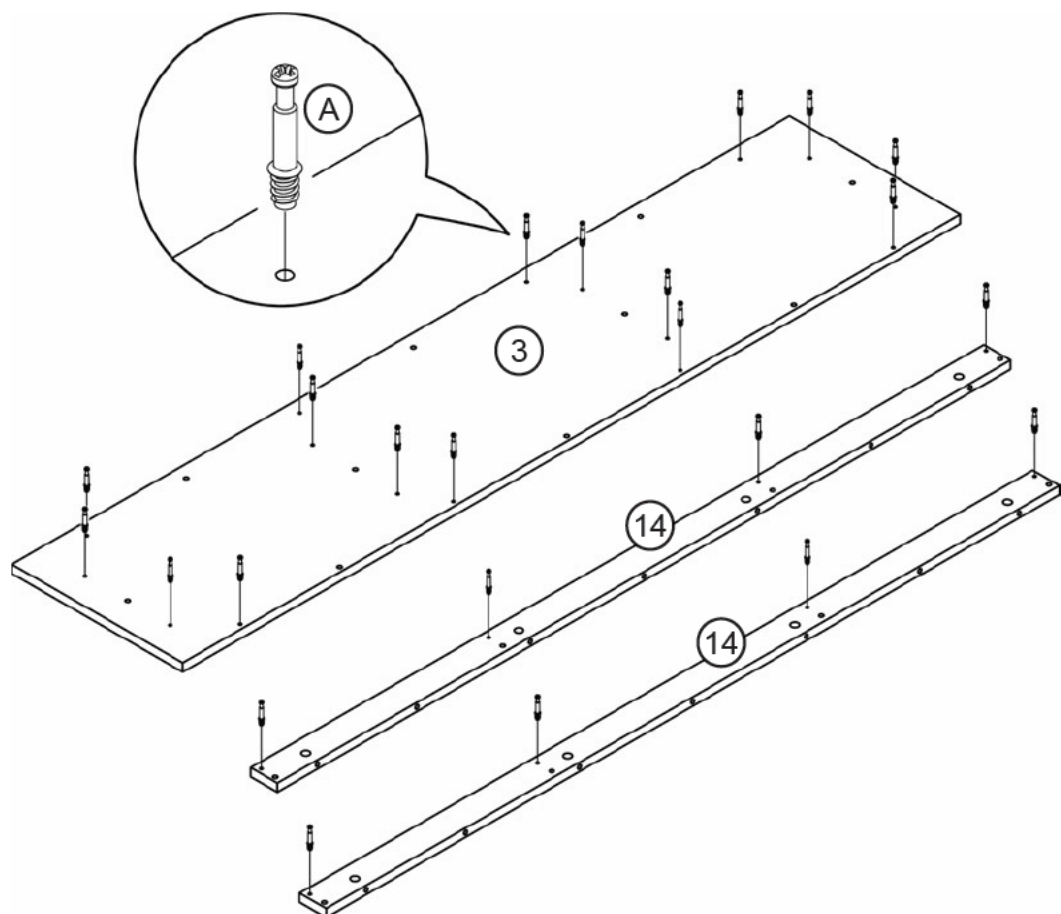
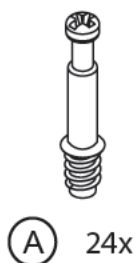
Install all hardware perpendicular to the opening.

Required tools for assembly (Not included)



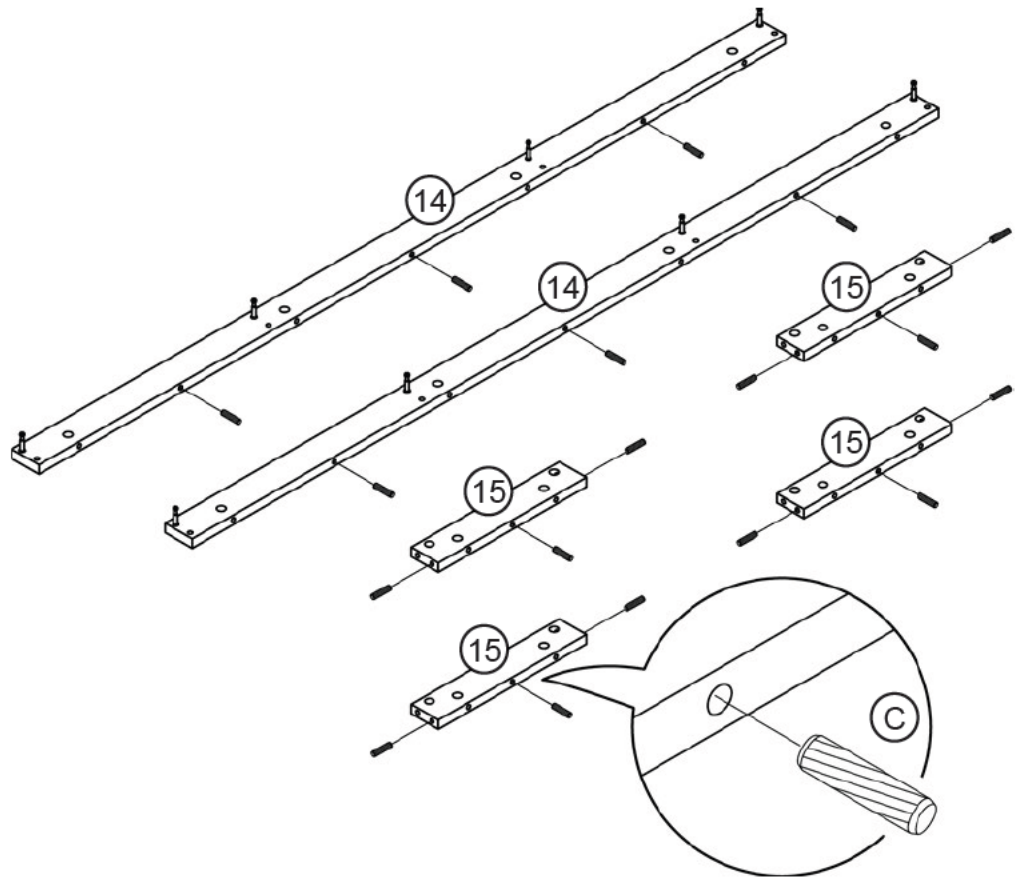
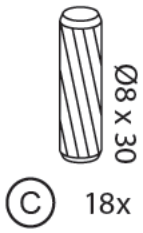
1

Attach cam bolts to the bottom panel (3) and the long base panels (14).



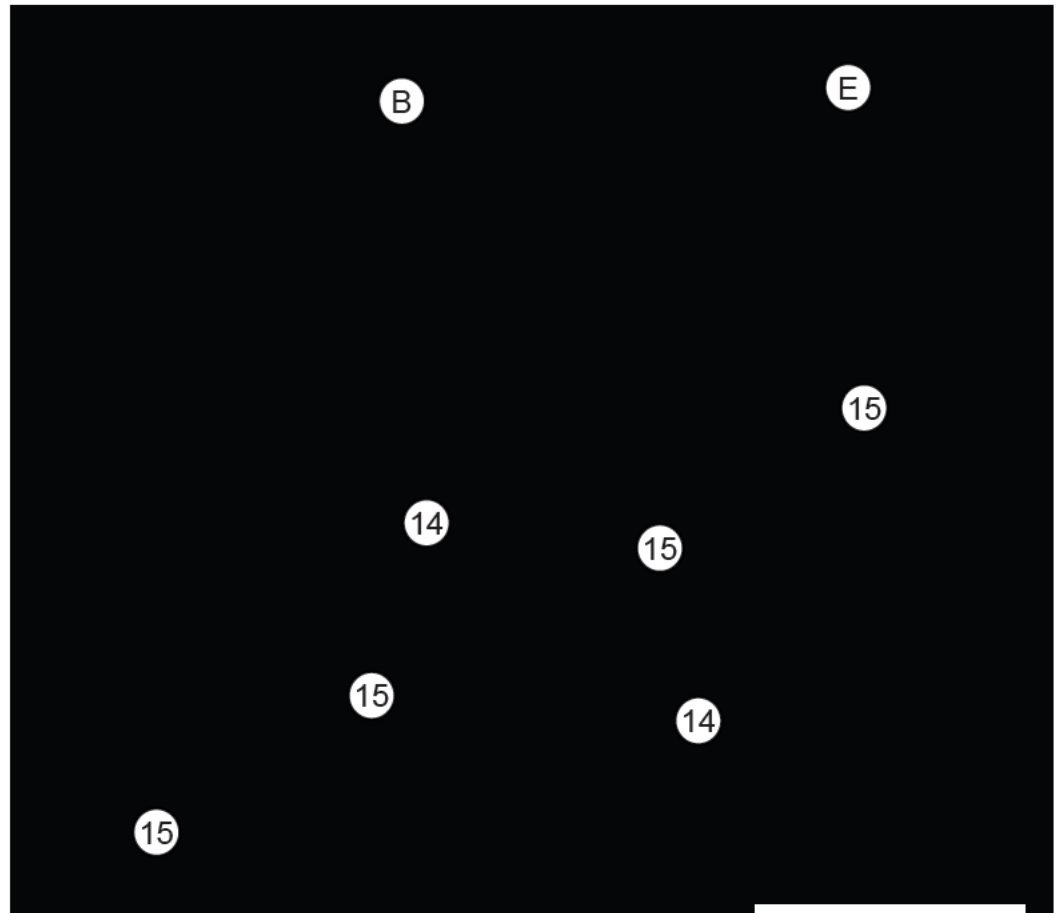
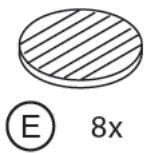
2

Insert wood dowels to the base panels (14, 15).



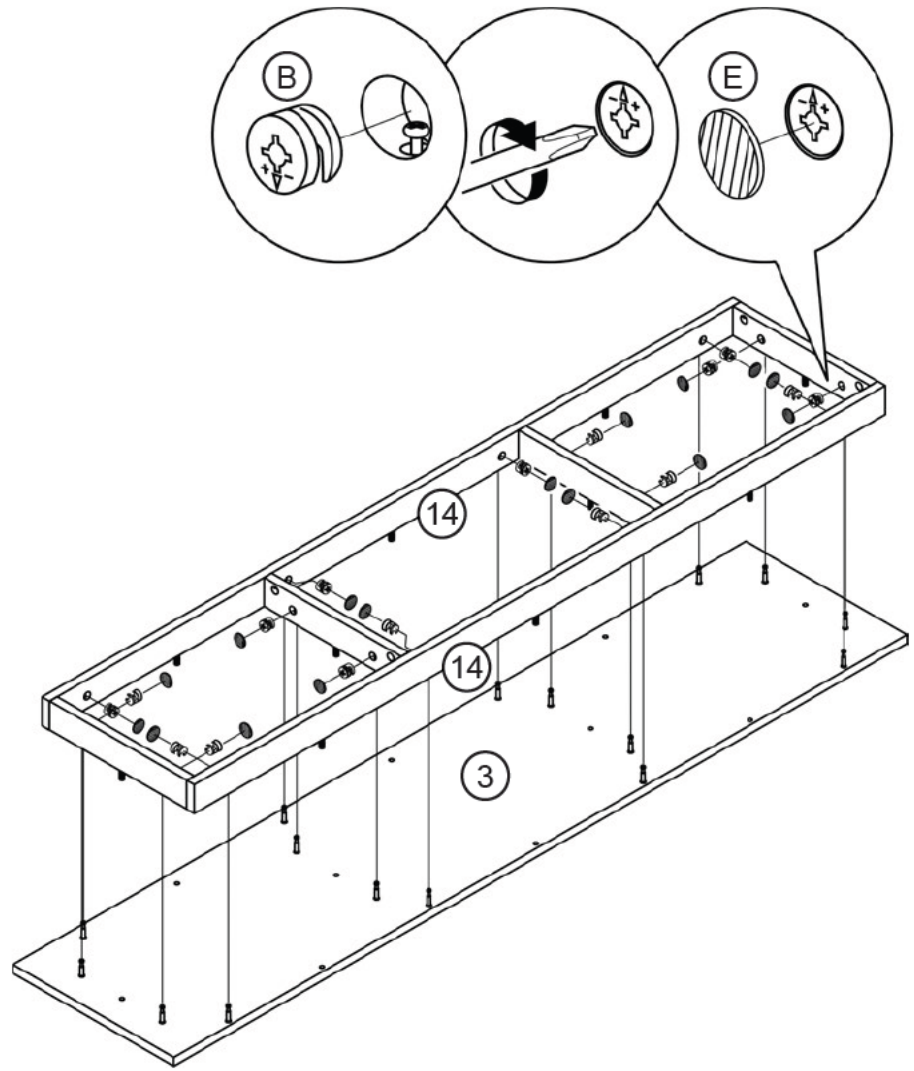
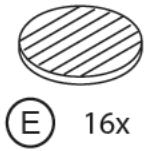
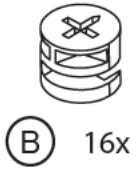
3

Assemble short base panels (15) between the long base panels (14).



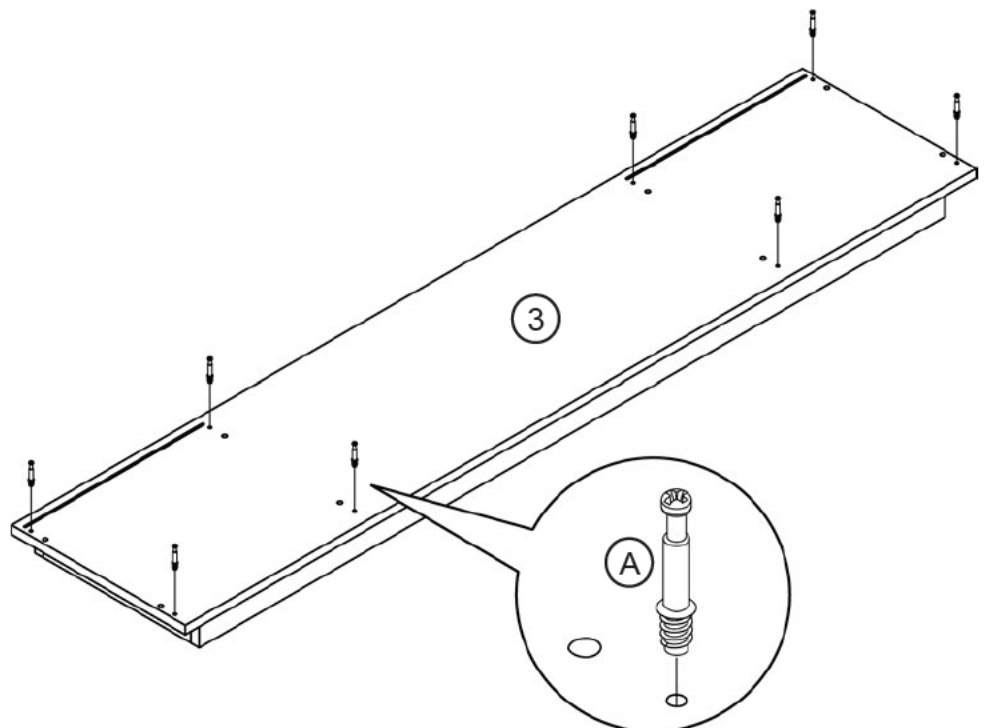
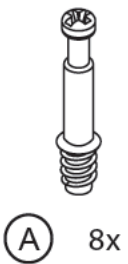
4

Assemble the base to the underside of the bottom panel (3).



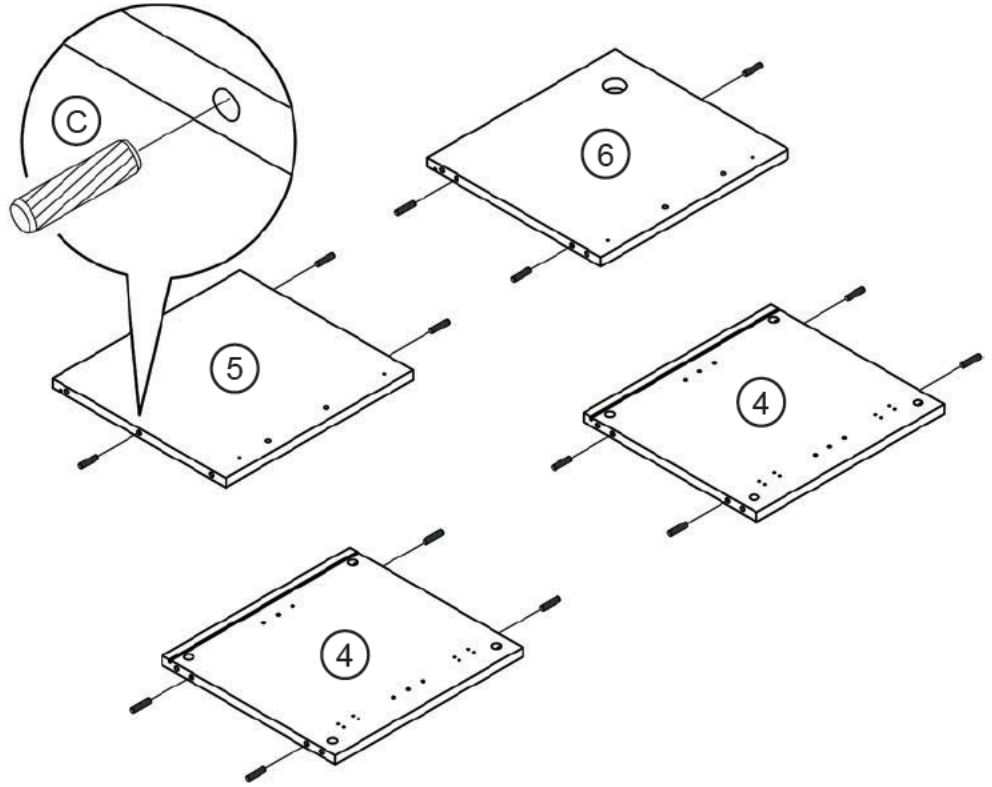
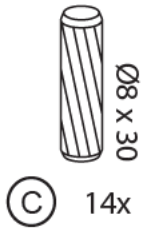
5

Attach cam bolts on the bottom panel (3).



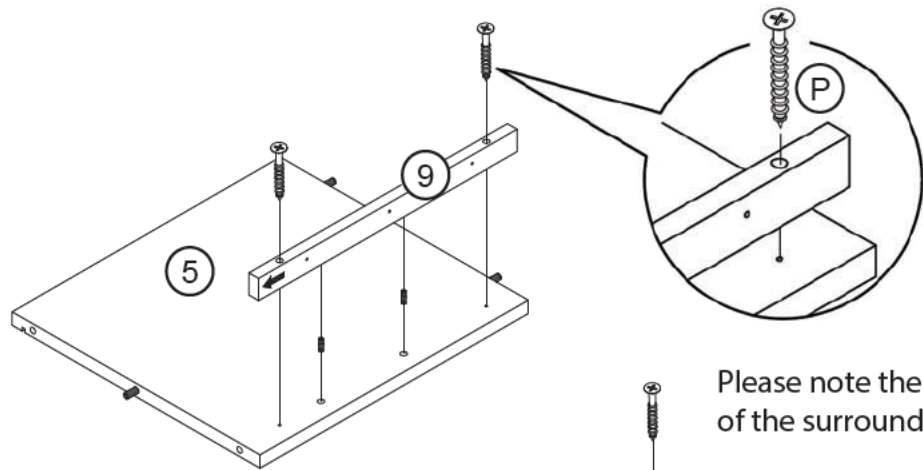
6

Insert wood dowels on the side panels (4) and the medial panels (5, 6).

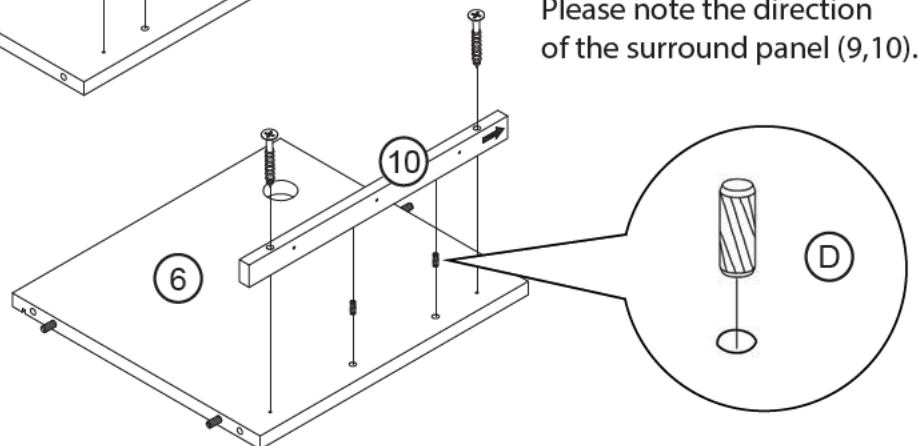


7

Assemble left surround panel (9) to the left medial panel (5) and then assemble the right surround panel (10) to the right medial panel (6).

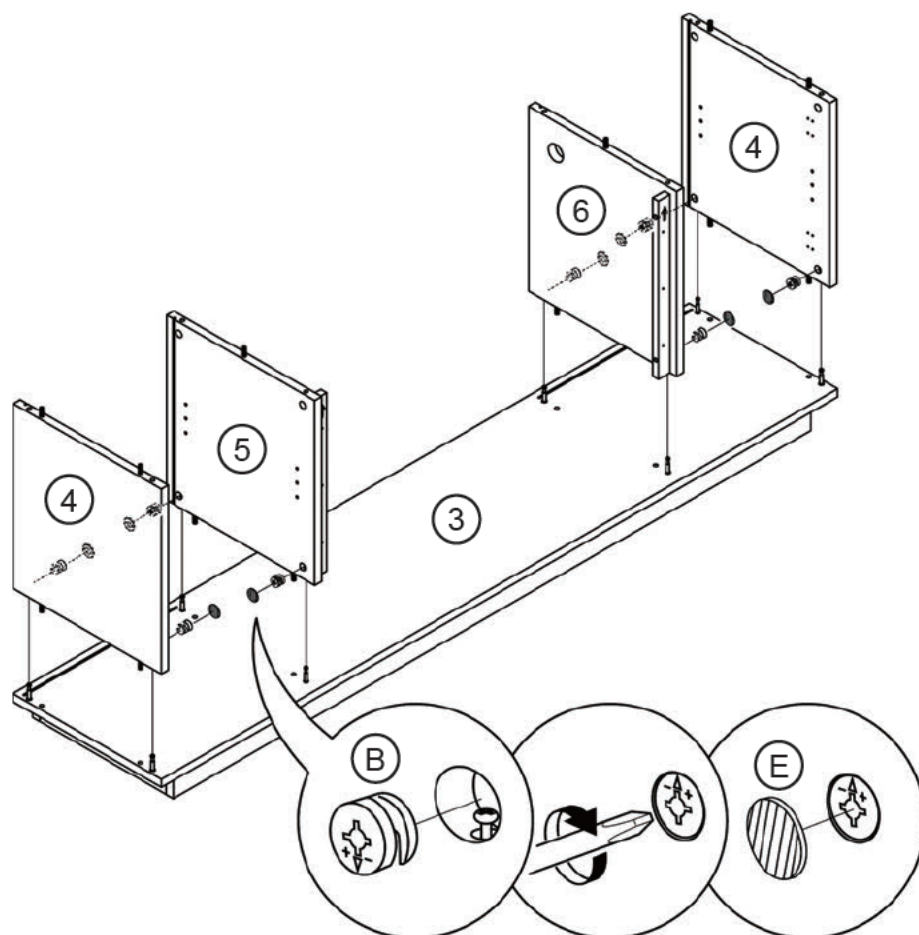
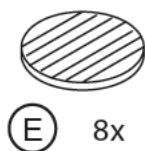


Please note the direction of the surround panel (9,10).



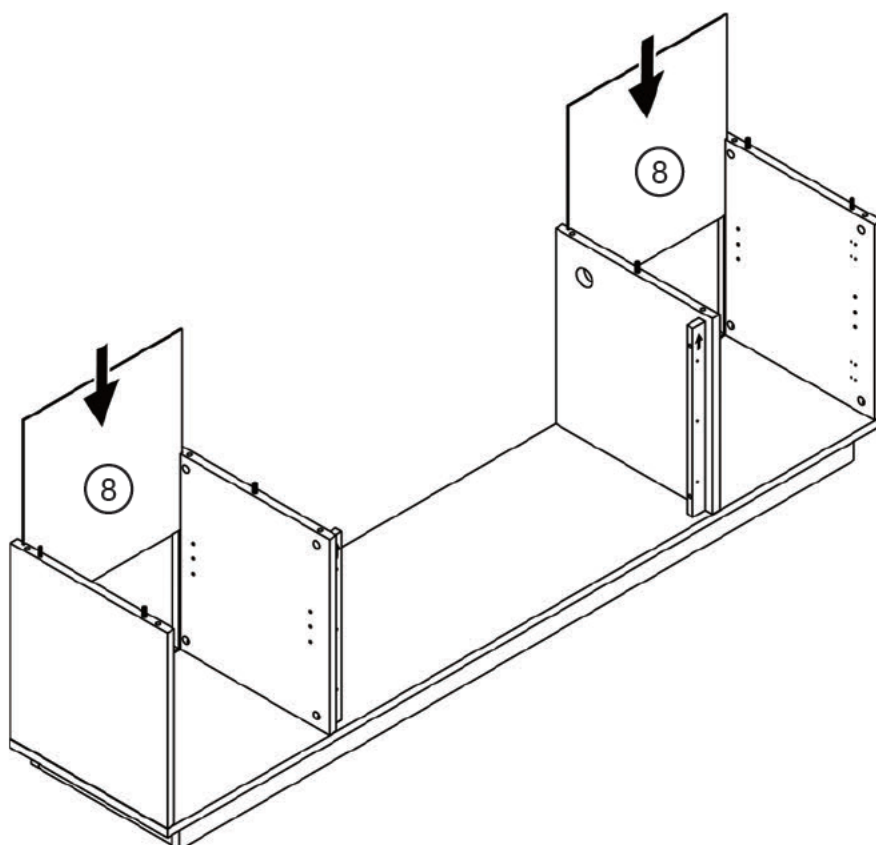
8

Assemble the side panels (4) and medial panels (5, 6) on the bottom panel (3).



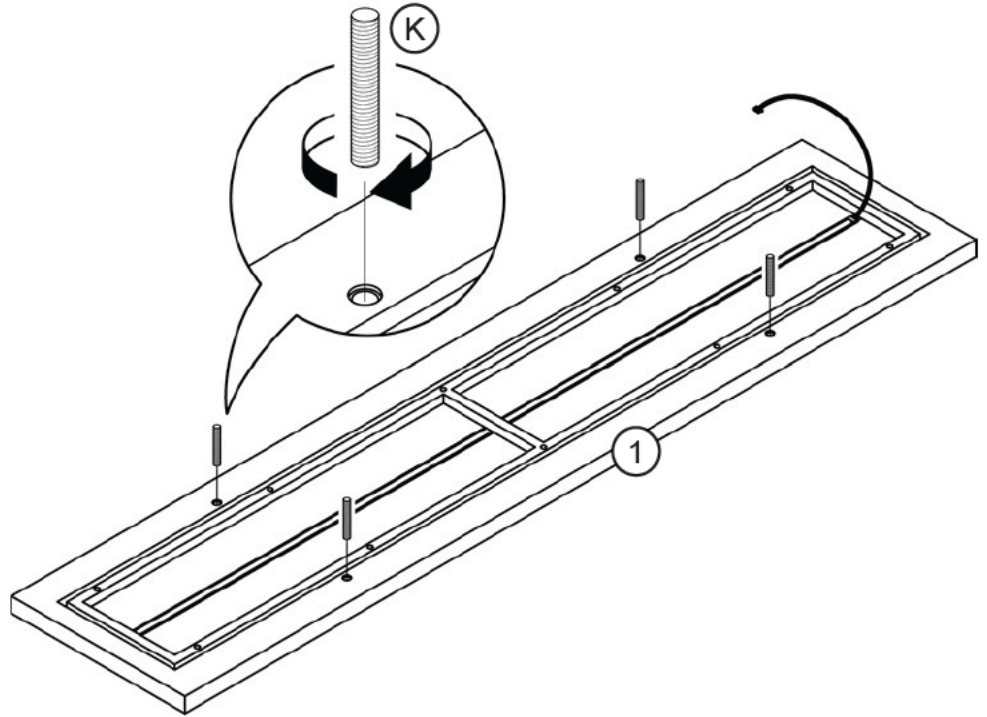
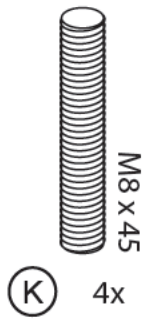
9

Slide back panels (8) into the stand.



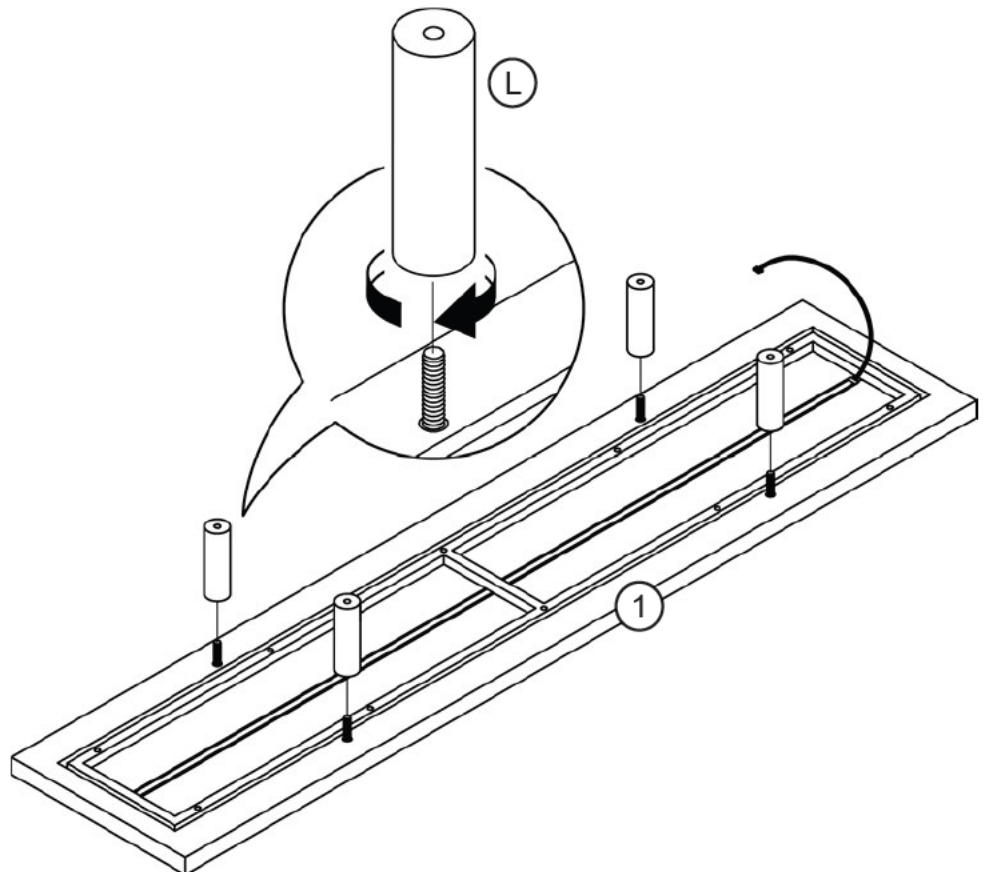
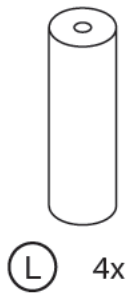
10

Attach stud bolts to the underside of the top panel (1).



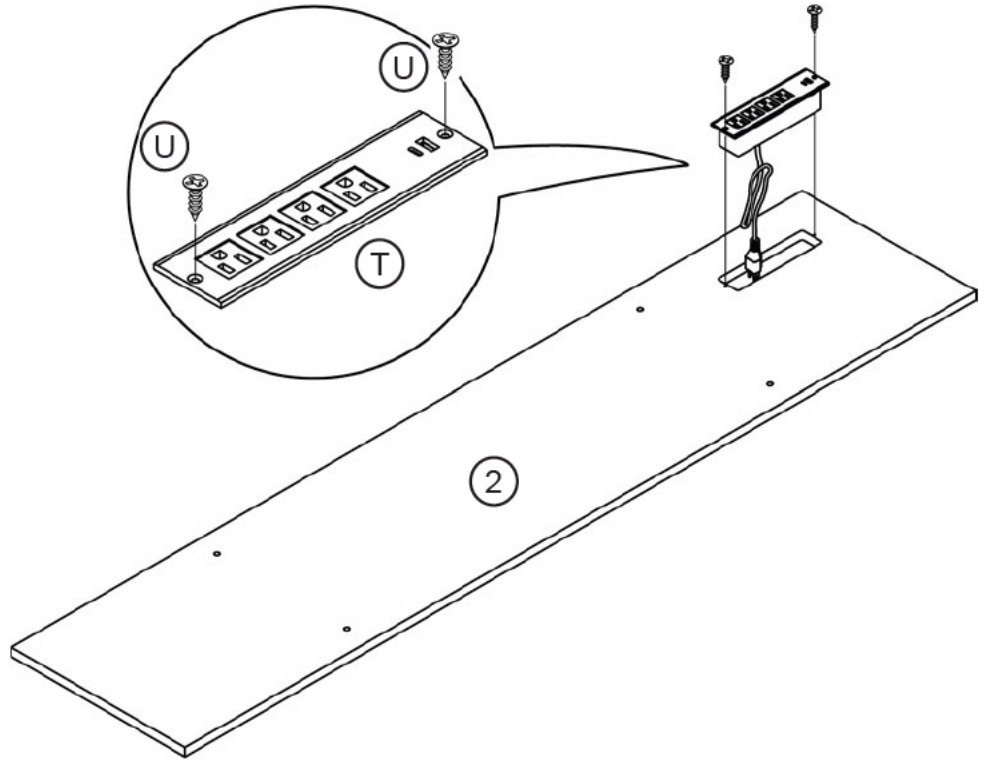
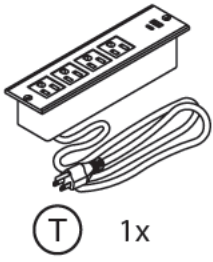
11

Attach the top panel spacer (L) to the stud bolts.



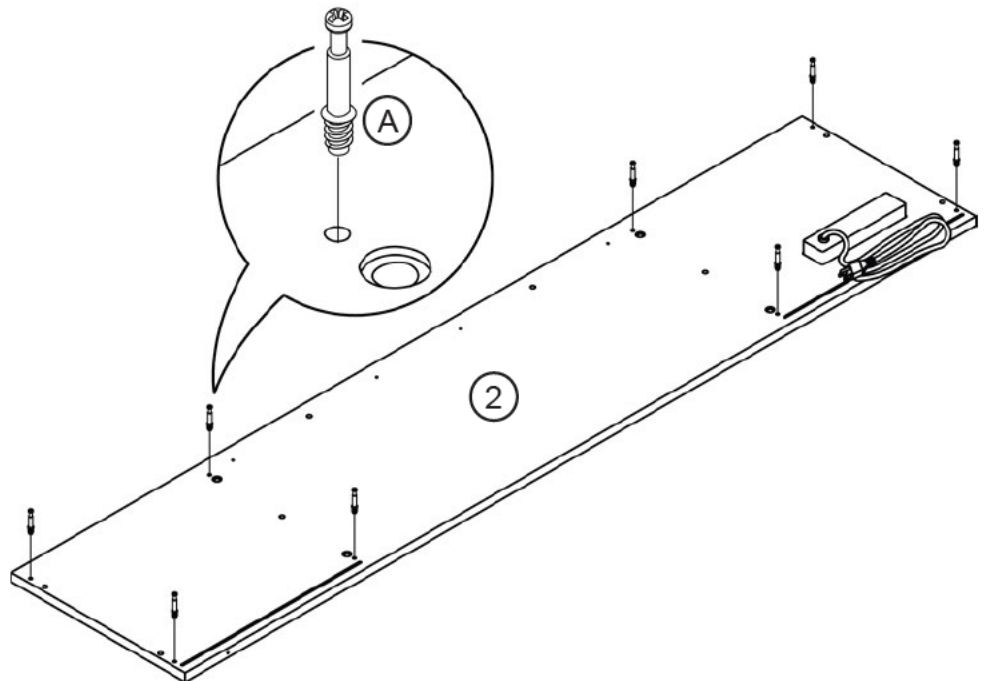
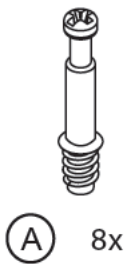
12

Attach power hub to the middle panel (2).



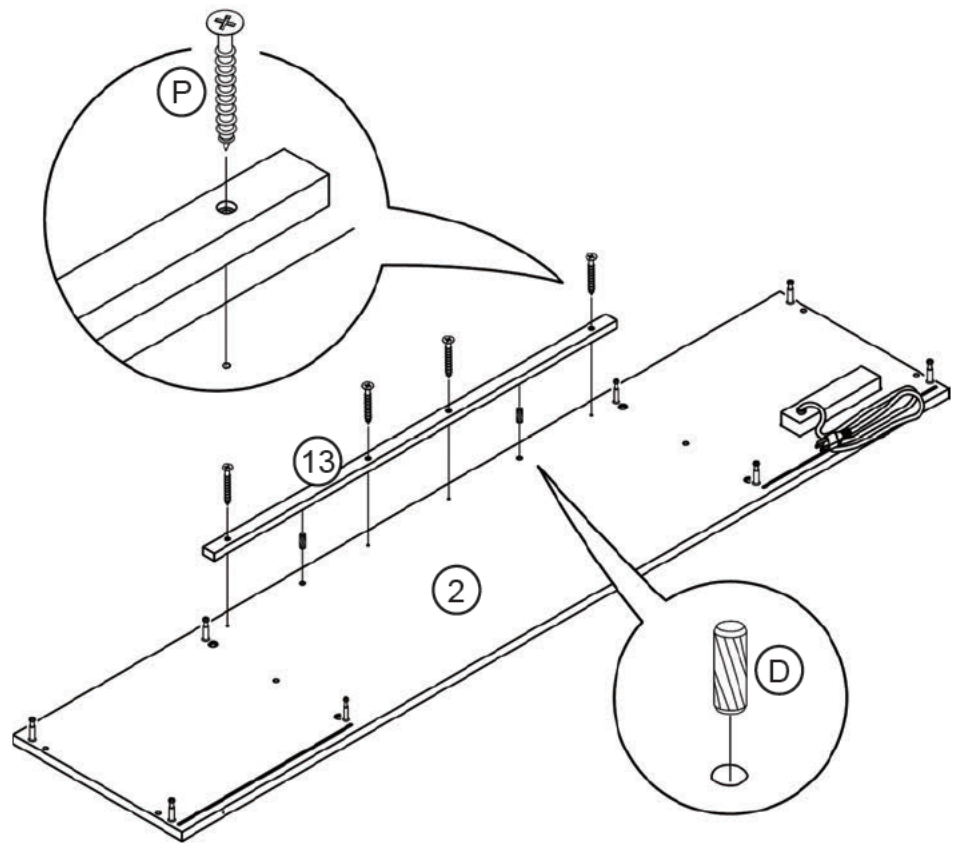
13

Attach cam bolts to the underside of the middle panel (2).



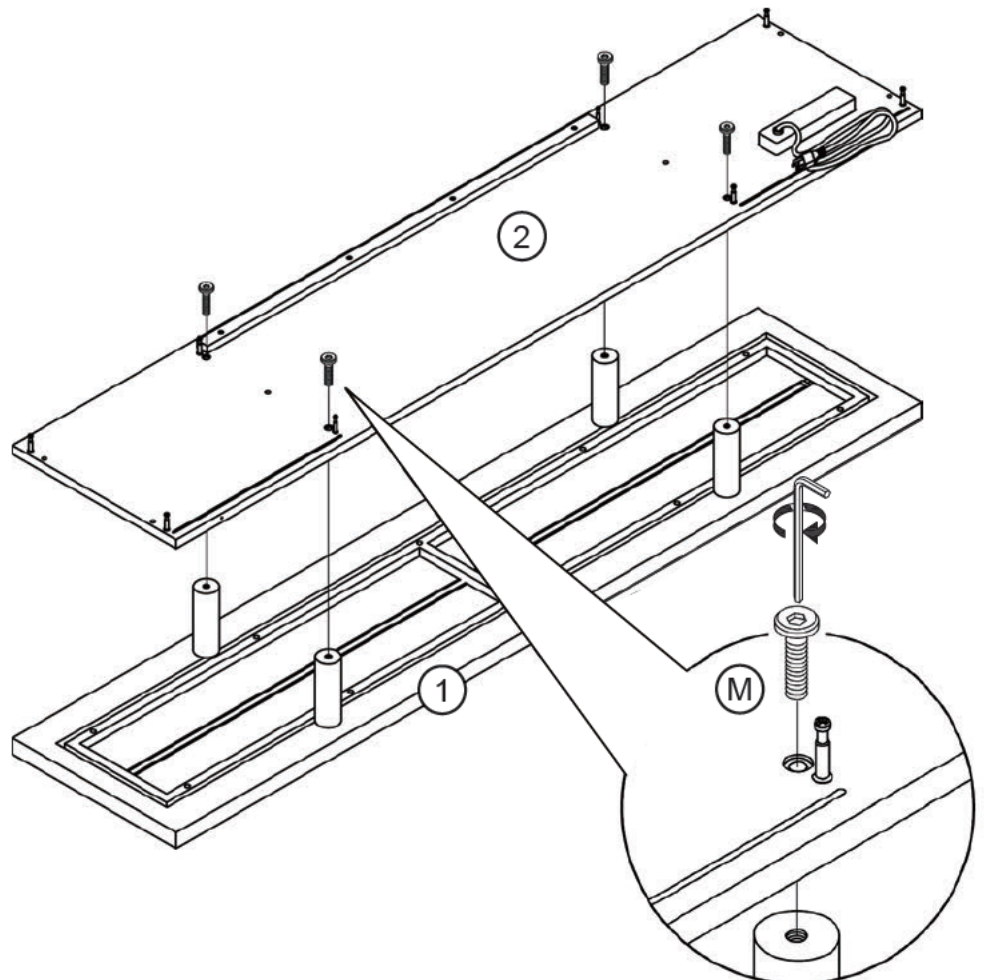
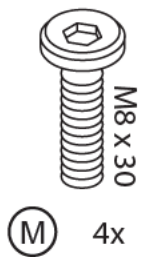
14

Assemble the top surround panel (13) to the middle panel (2).



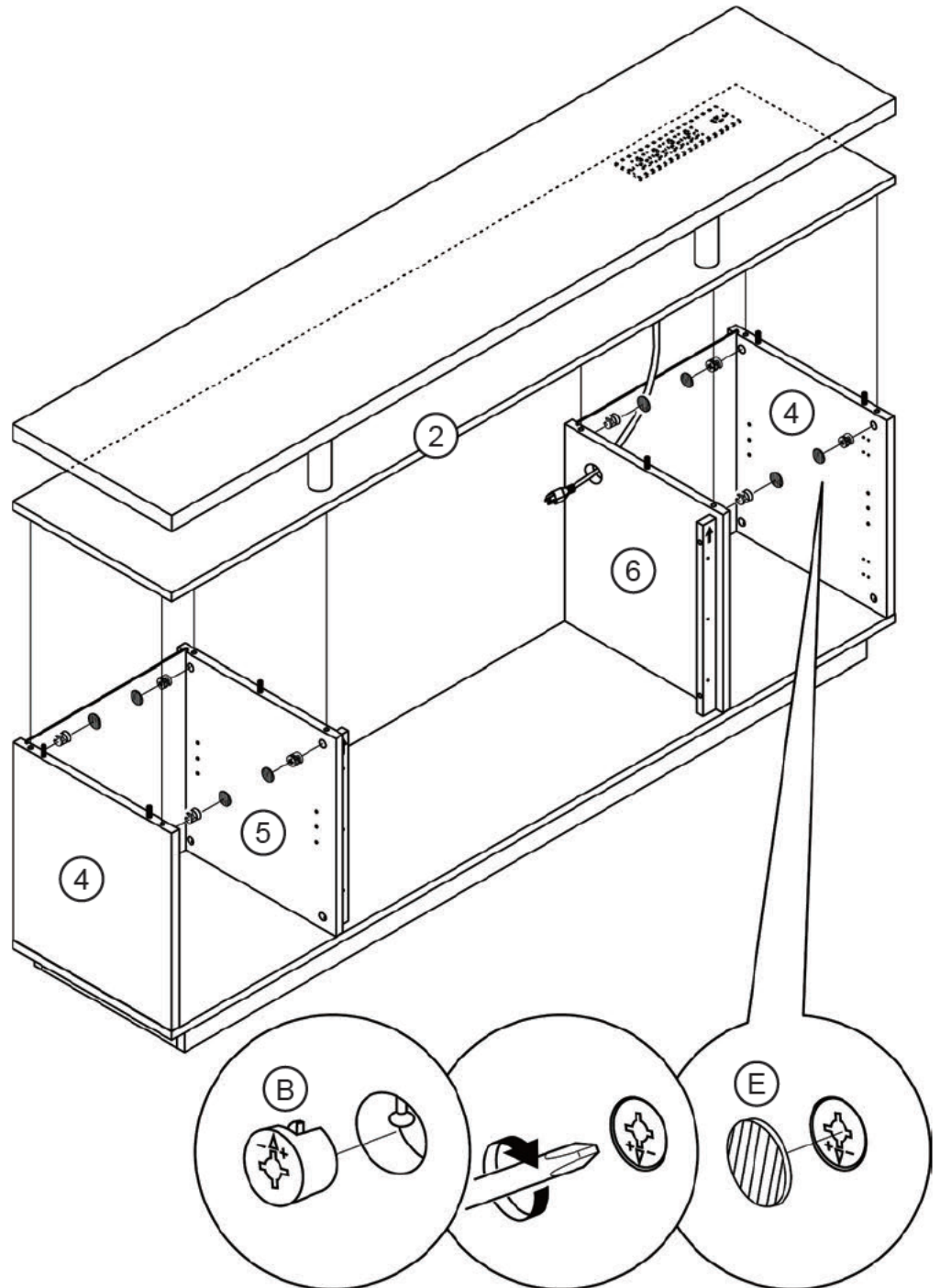
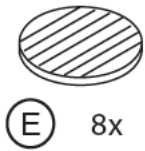
15

Assemble the middle panel (2) onto the panel spacers.



16

Assemble the middle panel on top of the stand.



17

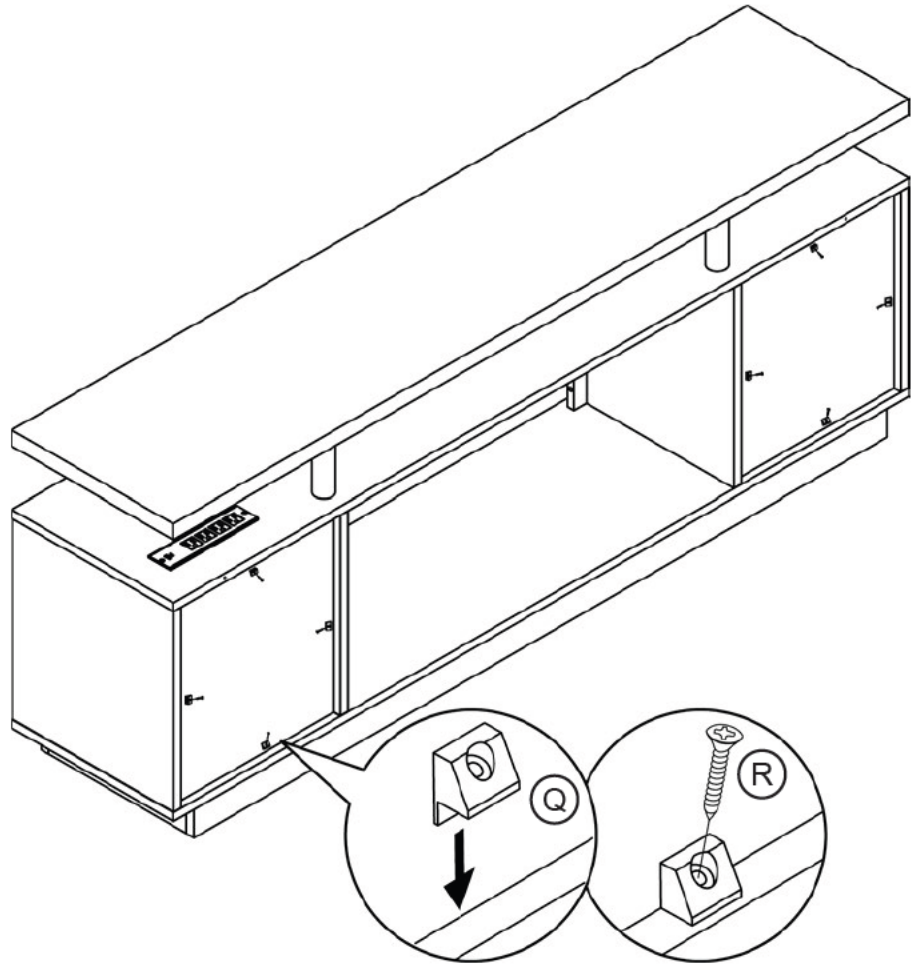
Secure the back panels in place.



Q 8x



R 8x



18

Insert shelf pegs into the stand and put storage shelf panels (11) on top.



O 8x



19

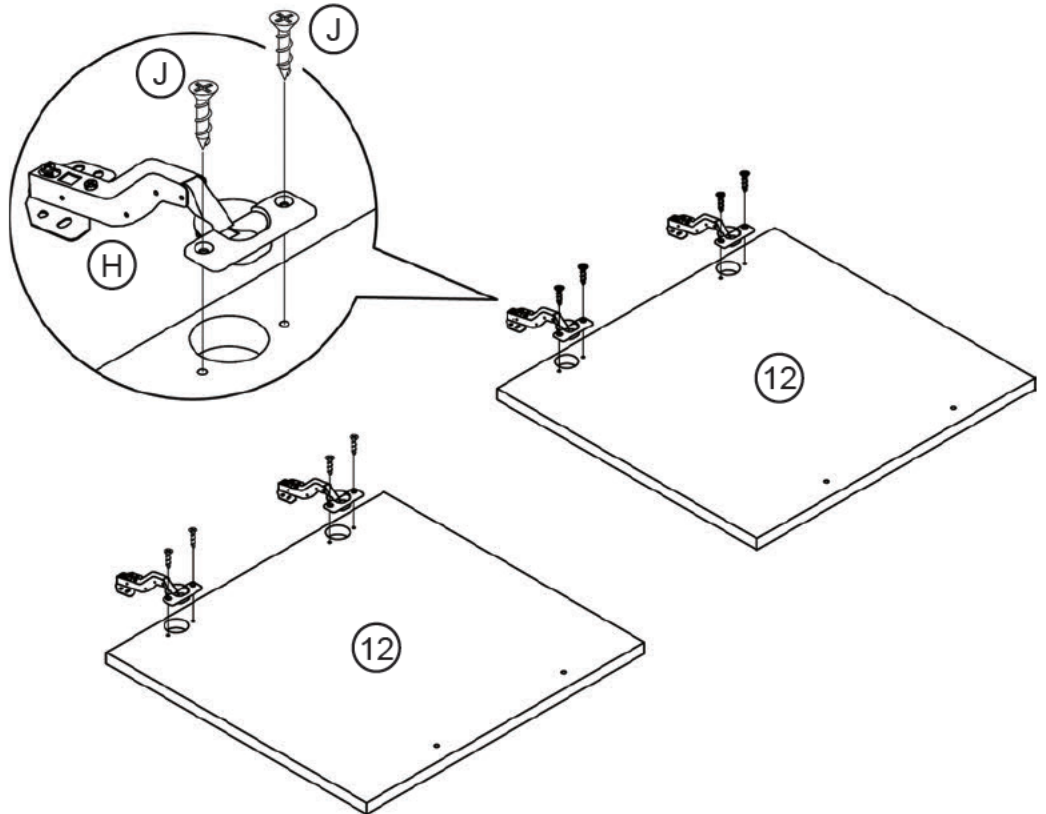
Attach door hinges to the cabinet doors (12).



(H) 4x

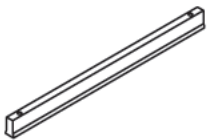


(J) 8x



20

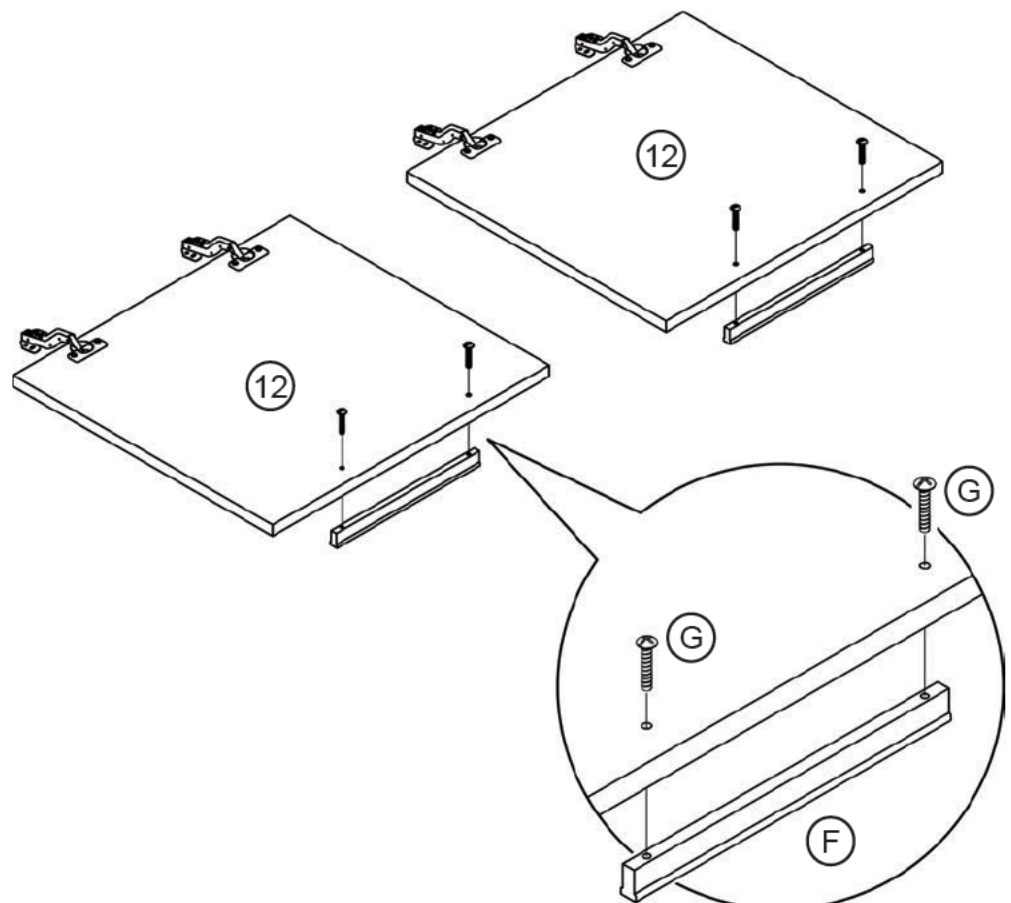
Attach door handles to the cabinet doors.



(F) 2x

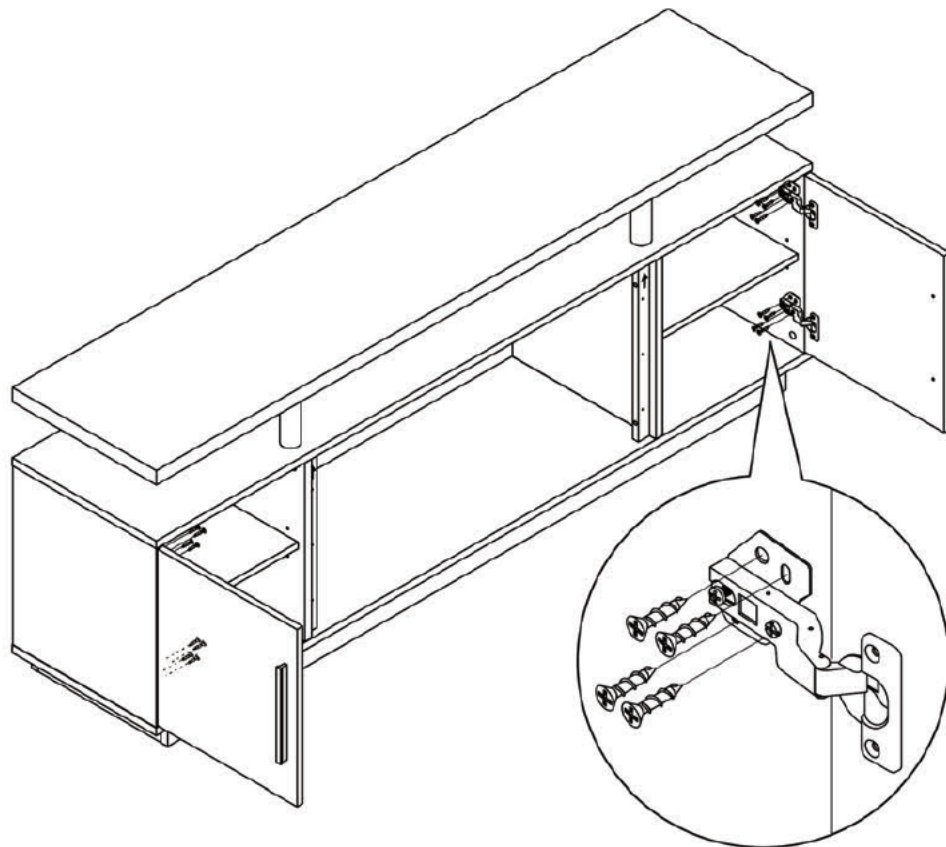
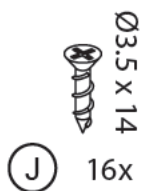


(G) 4x



21

Assemble cabinet doors to the stand.



When the clearance of the door is uneven,
Adjust the cabinet door according to the figure,
If you still have trouble adjusting the door. please contact us.

Up and down
adjustment by
loosening the screws
on the mounting
plate.

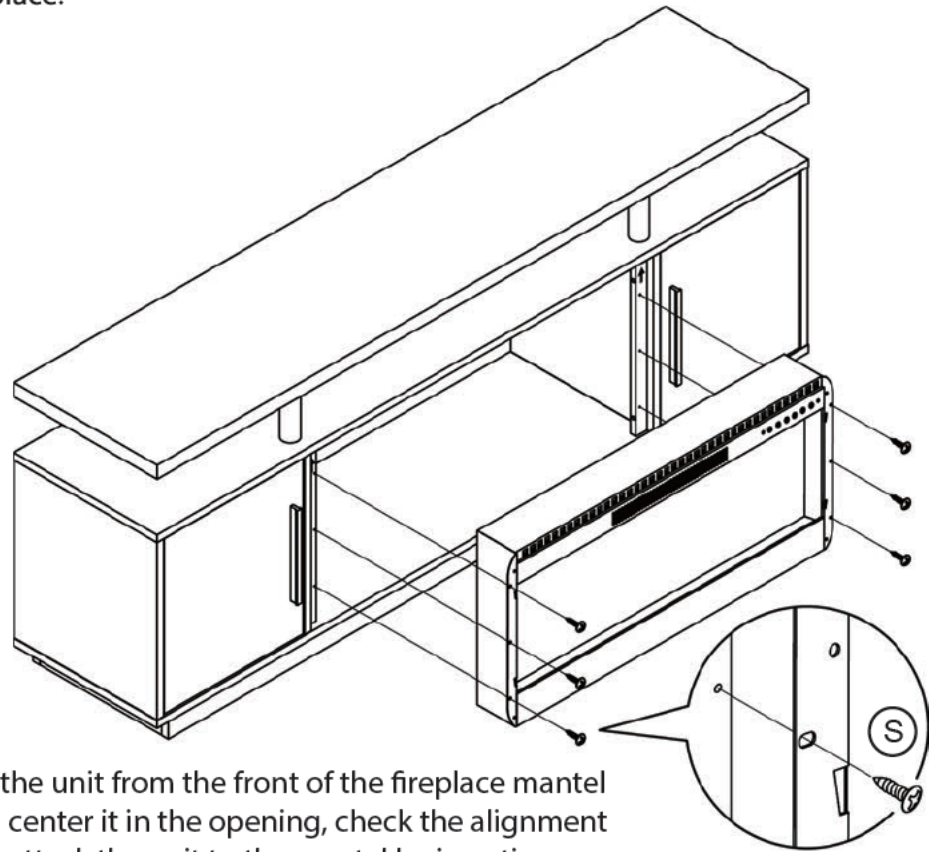
In and out
adjustment by
loosening the screws
on the hinge arm.

Side to side
adjustment using
the front adjustment
screw on the hinge.

22

Assemble your fireplace to the stand.

*For the exact instruction, please refer to the user's manual provided with the fireplace.

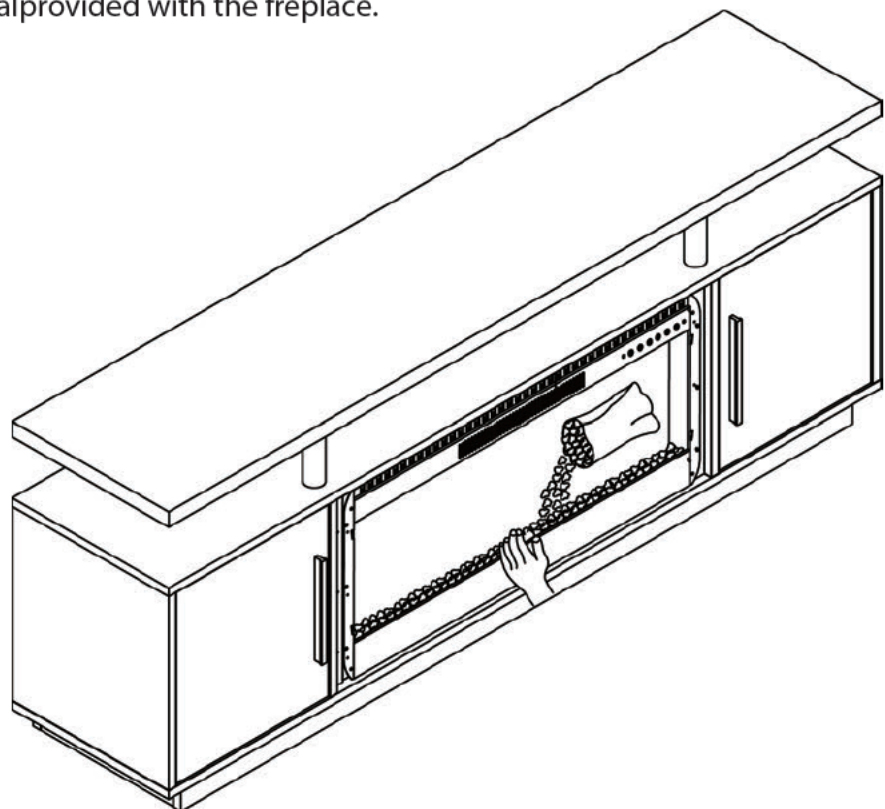


Set the unit from the front of the fireplace mantel and center it in the opening, check the alignment and attach the unit to the mantel by inserting screws through the drilled holes on the mantel.

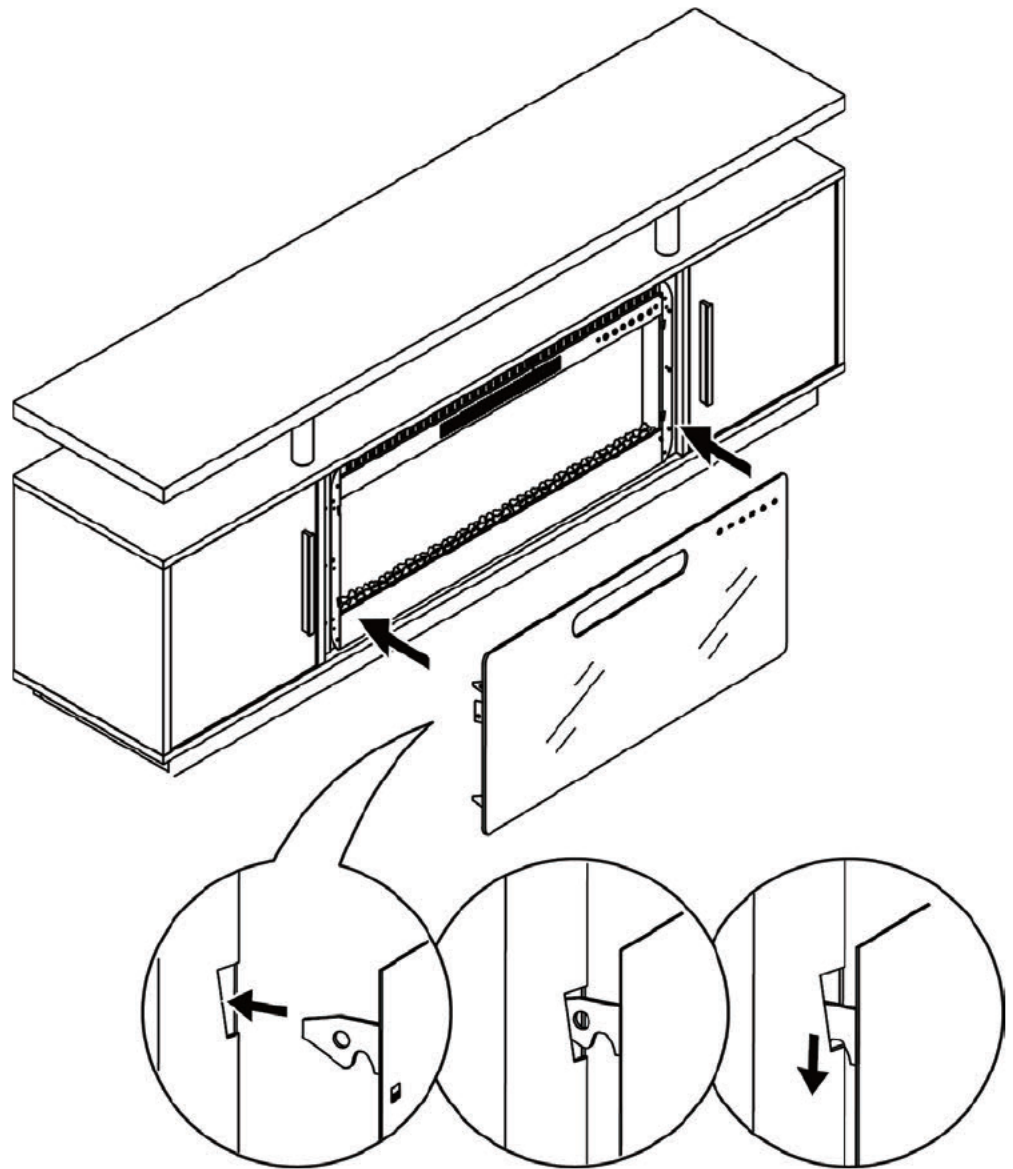
23

Place decorative crystals / rocks into your fireplace.

For the exact instruction, please refer to the user's manual provided with the fireplace.



Snap the fire place front panel onto the fireplace.

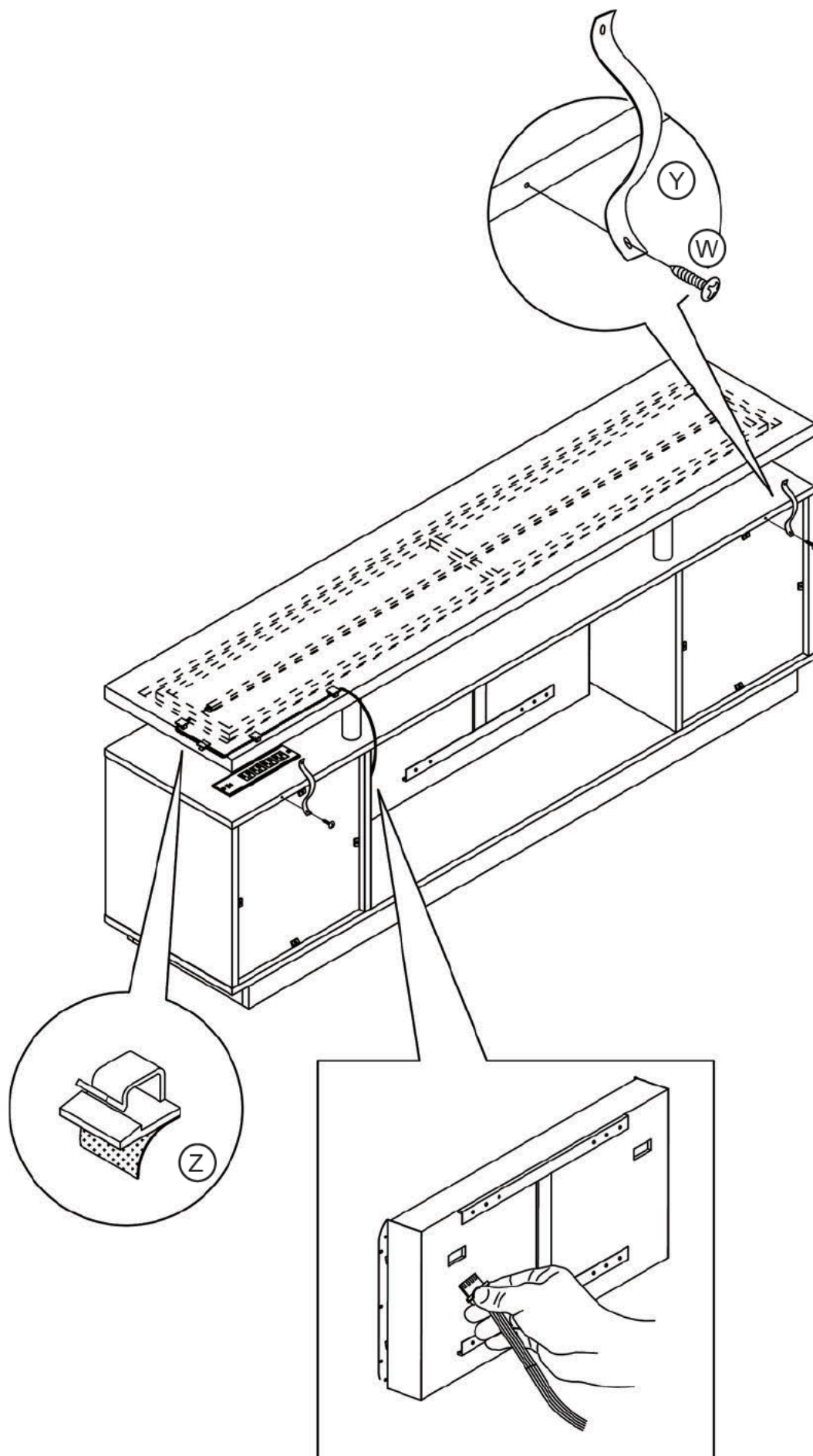


CAUTION

Careful when handling glass to prevent injury or damage.

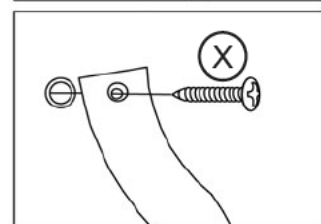
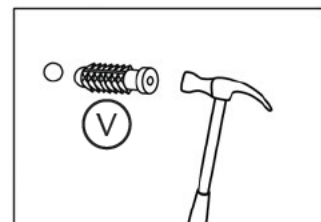
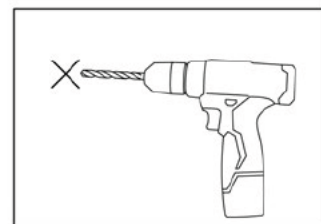
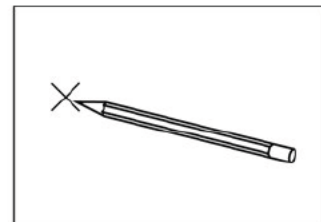
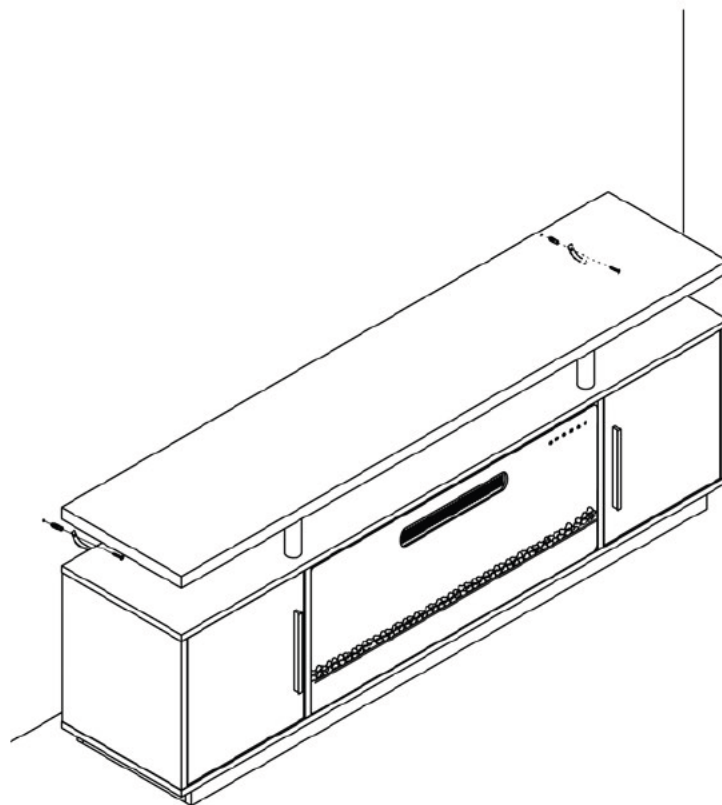
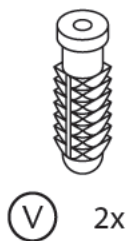
25

Attach anti-tipping straps to the back of the stand.
Hold the LED light cables in place with cable management clips and plug the cable to the fireplace.



26

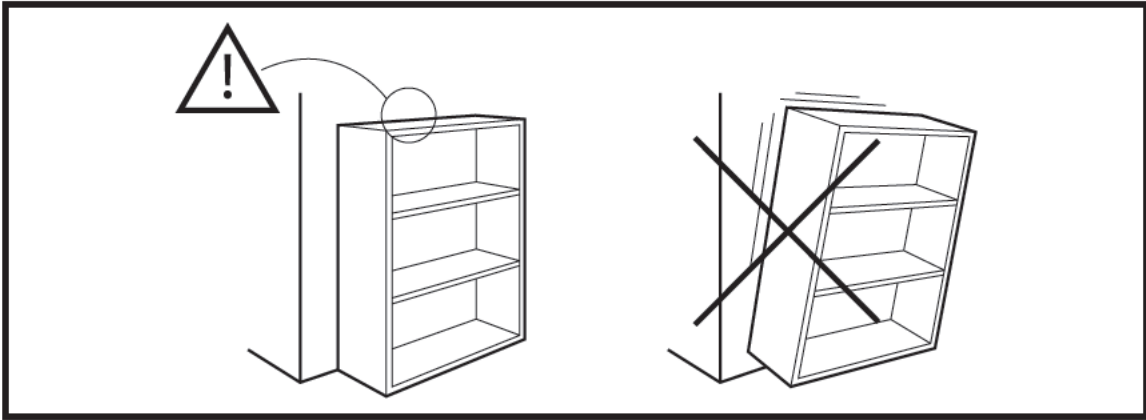
Affix the stand to a wall.



Furniture must permanently fixed to the wall stud with included anti-tipping device to prevent the furniture from tipping over.

- Mark the drill position on the wall with a pencil.
- Drill a small hole on the marked position.
- Insert a wall anchor into the drilled hole.
- Fixed the anti-tipping strap to the wall with provided screws.

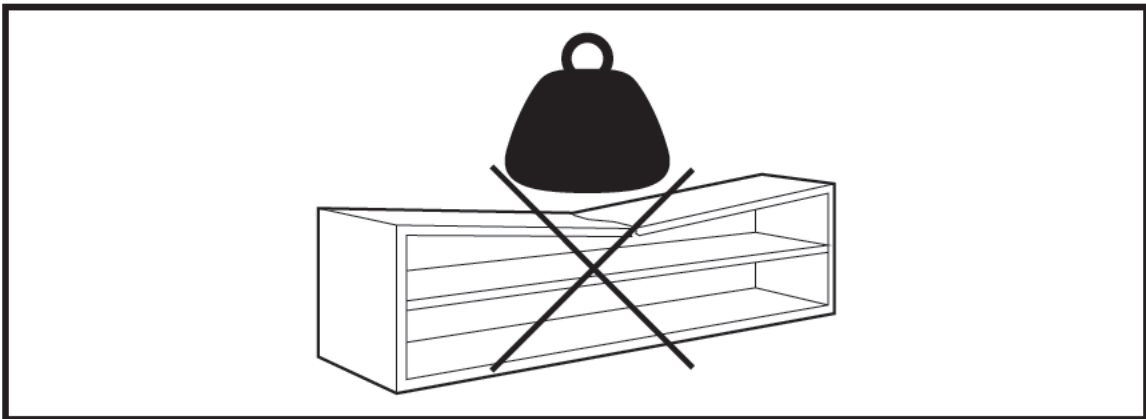
YOU'RE FINISHED!



Warning

Serious or fatal crushing injuries may occur if the furniture tip-over. Furniture must permanently affixed to the wall with included anti-tipping device in order to prevent the furniture from tipping over.

Different wall materials requires different types of wall anchors or screws. Use a suitable wall anchors or screws for your specific wall in order to secure the stability and load bearing capacity of the furniture. If you are uncertain about which type of device to use, please contact us or your local hardware store.



Warning

Only place items on top of the product if they meet the recommended size and weight limits.

Climbing on, stepping on, or placing overweighted objects on the product may cause property damage and/or injuries.

Items placed onto this product must be resting on a support surface without hanging over the edges.

WARNING

For use with televisions weighing 70lbs (31.8kg) or less. Use with heavier televisions may result in instability, causing tip over resulting in death or serious injury.

Death or serious injury may occur when children climb on audio and/or video equipment furniture. A remote control or toys placed on the furnishing may encourage a child to climb on the furnishing and as a result the furnishing may tip over on to the child.

Relocating audio and/or video equipment to furniture not specifically designed to support audio and/or video equipment may result in death or serious injury due to the furnishing collapsing or over turning onto a child.

NOTICE

The recommended maximum width of the television is 85 inches. Do not exceed the maximum load capacity.

This product is designed for flat panel TVs only.

FURNITURE CARE AND MAINTENANCE

Medium - Density Fiberboard

Thank you for your purchase. We want your item to last as long as possible. To ensure the product gives you years of longevity, please follow the recommendations in this care and maintenance guide.



MAINTENANCE

- Tighten all bolts and screws again within the first 2 weeks of assembly.
- Check the tightness of all bolts every 2 months and tighten them if necessary.



CLEANING

- Clean the surface of the MDF (medium - density fiberboard) with a lightly dampened cloth.
- A small amount of mild soap can be used if necessary.
- Dry the surface immediately after cleaning.

⚠ DO NOT use bleach or alcohol to clean the surface.

⚠ DO NOT apply wood treatment on parts made with MDF.

MDF will swell and distort when exposed to water damage. Make sure to dry the furniture immediately after cleaning.

⚠ WARNING

The manufacturer and seller are not responsible for any and all liability relating to personal injury, property damage or losses, whether direct, indirect, or incidental, resulting from the incorrect attachment, improper use, inadequate maintenance, unapproved modification or neglect of this product.

WARRANTY

Our products come with a 1-year warranty from the date of delivery. **Register your product on our website to enjoy our limited lifetime warranty!**

AFTER-SALE SERVICE



Encounter any difficulties or missing parts?



We will send you replacement.



Hassle free!
No need to worry about repackaging and sending your item back.