

NOTICE

* Please make sure that you have all parts indicated and they are in good condition before you begin assembly of this item.

Refer to part list and hardware list below for guidance.

* This item should be assembled on a soft surface to prevent scratching the finish during assembly.

* This item may require periodic tightening.

PREPARATION

*Before beginning assembly of product, make sure all parts are present. Compare parts with part contents list and hardware contents list.

* If any part is missing or damaged, do not attempt to assemble the product.

* Estimated Assembly Time: 10 minutes.

* If you are having difficulty, our friendly Customer Care team is always here to help.

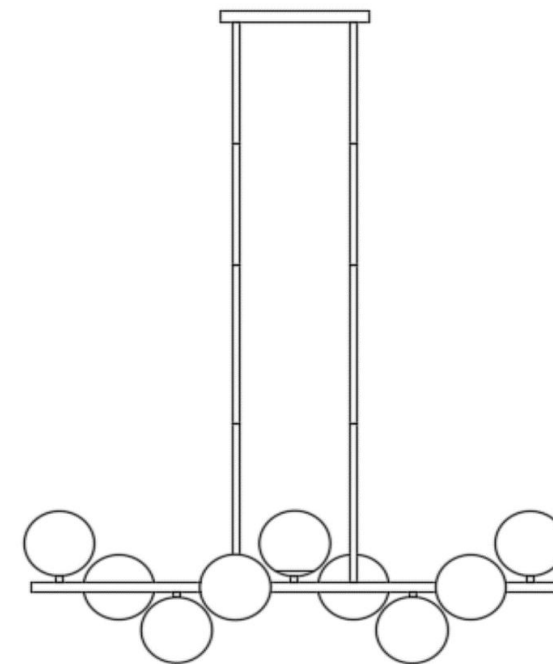
CARE AND MAINTENANCE

Unplug lamps before using any cleaning solutions. Dust shades with a feather duster or with an appropriate vacuum_brush attachment. Wipe with a soft, dry cloth and clean lamp bases with the methods appropriate to the material. Avoid the use of chemicals and household cleaners as they may damage the finish.

Part List and Hardware List

PEICE	DESCRIPTION	PICTURE	QUANTITY	PEICE	DESCRIPTION	PICTURE	QUANTITY
A	Lamp Body		1X	HW3	Screw φ4*25mm		2X
B	A Tubes 300mm		4X	HW4	Screw φ4*25MM		2X
	B Tubes 230mm		4X	HW5	M4 Nut φ 11X9mm		2X
C	Canopy		1X	HW6	Wrench		1X
D	Mounting Plate		1X	E	socket		9X
HW1	Hex Nut		2X	F	Light bulb		9X
HW2	Terminal Cap		3X	G	Glass shade		9X

37.5"Lx12"Wx50"H

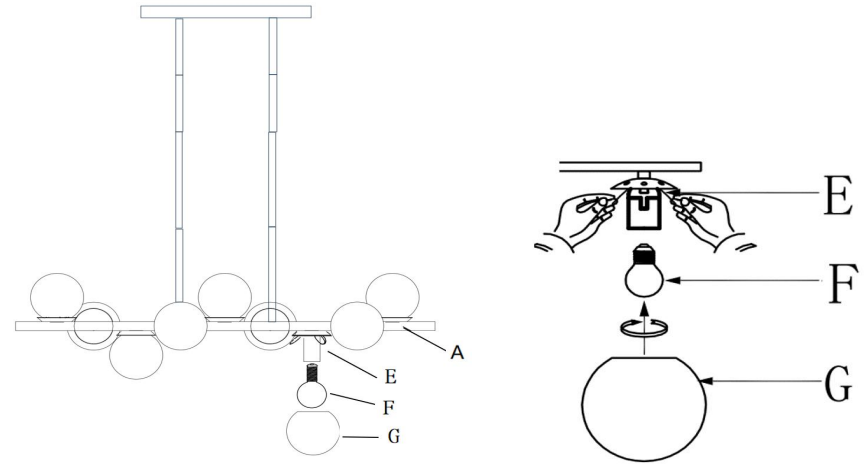
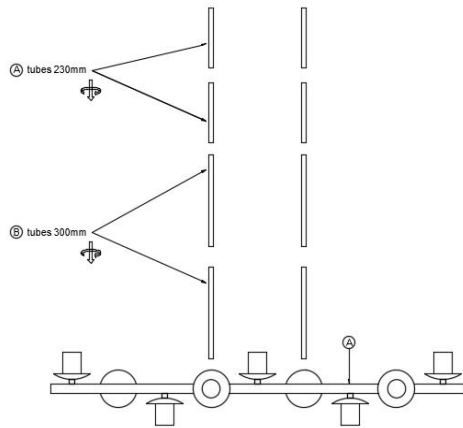


PREPARATION

* Before beginning assembly of product, make sure all parts are present. Compare parts with part contents list and hardware contents list.

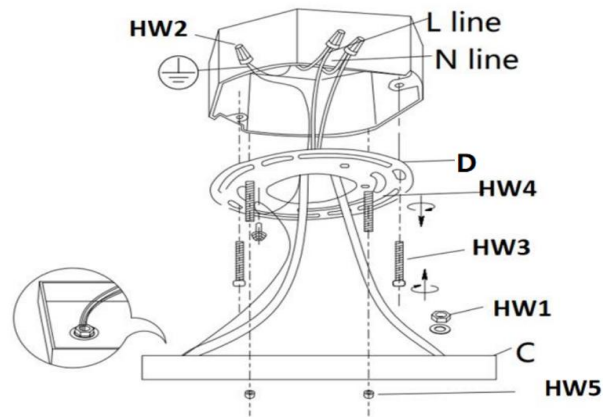
* If any part is missing or damaged, do not attempt to assemble the product.

* Estimated Assembly Time: 10 minutes.

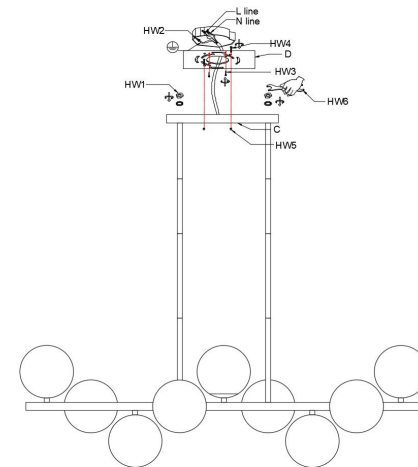


STEP1:Unpack all parts from cartons careful.Install the tube(B) one by one into the lamp body(A), and lock them clockwise.

STEP2: Install all light bulbs(F) into socket(E),and put all glass shades(G) into the socket



STEP3:To connect fixture wires: Connect the live wire (L) from fitting to the live wire from main power supply. Connect the neutral wire (N) from fitting to the neutral wire from main power supply. make the Terminal cap(HW2) connect the ground wire. Please pay close attention to avoiding the wires exposing outside when wiring connections.



STEP4:Install the mounting plate(D) into the canopy (C), lock them with the screw(HW3) fixed with the wrench(HW6).Then install the canopy(C) to the junction box with the screw(HW1),then fixed them with the M4 nuts(HW4).Consult a qualified electrician to ensure correct branch circuit conductor.