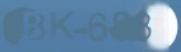


# Professional Blender

## User Manual



# CUSTOMER SERVICE & WARRANTY

Thank you for choosing Blender and becoming our valued customer. We value every customer's trust and are dedicated to delivering the best in both product performance and customer support.

We offers a 1-year warranty + 30-day return/exchange policy lifetime support for this product. We will provide the best service for our brand's customers.

For any user manual problem, missing accessories, damaged package, any questions or feedback, or if you want to extend the warranty for one more year. Please contact the brand support team at:

support@praskylife.com  
praskylife.com  
1-866-228-7981

In order to help you solve the problem efficiently, please send us the following information when you contact us:

\*Amazon order number.

\*A brief description of the problem: problem + the efforts you tried+photos/video.

# CONTENTS

## BEFORE USE

Important Safeguards .....	01
Instructions .....	03
Product Overview .....	04

## HOW TO USE

Control Panel .....	07
How to Use Your Blender .....	08
Cleaning Method and Storage Method .....	11

## Other

Product Parameters .....	12
Common Problems and Solutions .....	13

# Important Safeguards

**WARNING:** This device contains electrical connections and moving parts that may pose a risk to the user. Avoid the risk of serious injury when using the blender. Basic safety precautions should be followed, including but not limited to the following:

\*\*\*Please read all instructions, safety precautions and warnings before operating.

\*\*\*Please take your time and use caution during unboxing and equipment installation. This device contains sharp blades that may cause injury if not handled properly.

\*\*\*Inventory everything to make sure you have all the parts you need to operate your equipment correctly and safely.

**1.Do not** allow children to operate or use this appliance as a toy. Close supervision is necessary when any appliance is used near children.

**2.Do not** operate the blender with a damaged power cord or plug, or if the blender has malfunctioned, been dropped, or damaged in any way.

**3.Do not** let the cord hang over the edge of the table or counter. Do not let the cord come into contact with a hot surface, including the stove.

**4.DO not** operate this appliance on or near any hot surfaces (such as a gas or electric burner or in a heated oven).

**5.Do not** leave foreign objects, such as spoons, forks, knives, or the lid plug, in the container as this will damage the blades and other components when starting the machine and may cause injury.



- 6.DO not** use the appliance if the blade assembly is bent or damaged.
- 7.DO not** attempt to remove the container and lids from the motor base while the blades are still spinning. Allow the appliance to come to a complete stop before removing lids and containers.
- 8.DO not** attempt to Defeat the interlock mechanism.
- 9.DO not** use your container to heat ingredients.
- 10.DO not** continuously use your machine for more than 5 minutes.
- 11.DO not** attempt to sharpen blades.
- 12.DO not** store ingredients in containers with blades before or after blending. Some foods may contain active ingredients or release gases that can expand if placed in a sealed container, causing excessive pressure buildup that may pose a risk of injury.
- 13.DO not** submerge the appliance or allow the power cord to contact any form of liquid to protect against the risk of electric shock.
- 14.Never** operate the appliance on soft surfaces. Always use the appliance on a dry level and firm surface.
- 15.Never** leave an appliance unattended when in use.

# Instructions

## **WARNING**

- Before using the product, please read the manual and all explanations carefully.
- Please don't let power line touch sharp edge or high temperature surface.
- The product must be operated on stable reliable worktable.
- Hold the plug tightly when pulling it, don't pull its line.
- To ensure safety, please don't disassemble the product privately. If there is an abnormal situation, please return to place of purchase.



- Please don't use the product beyond its functions.
- Please don't let children use the product.
- Please stop using the product when power line or plug damage or other functions failure.
- Don't put the product into water or any other liquids



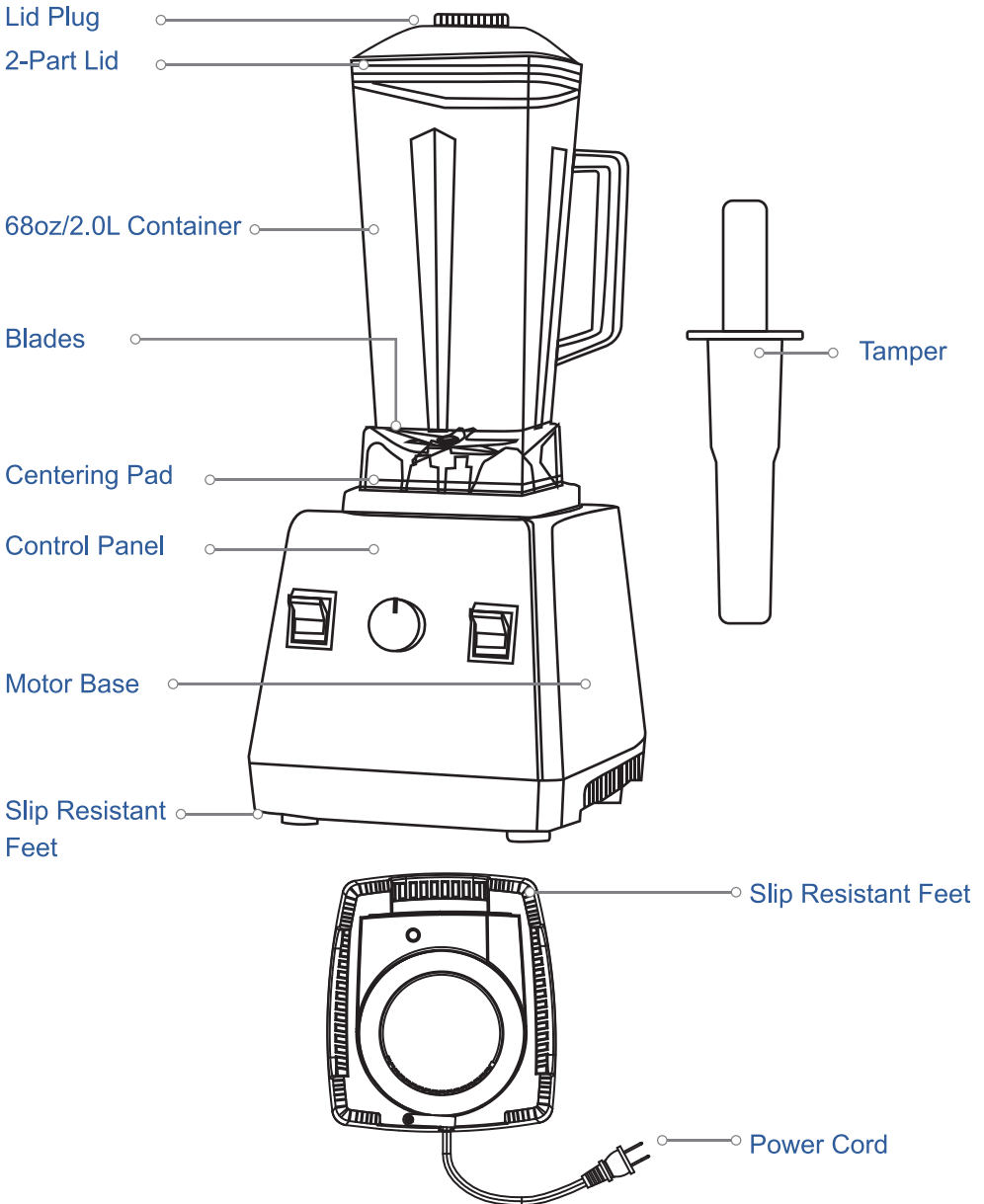
- The voltage to use should be 120V.



## Specifications

Product Model	Voltage	Frequency	Average Power	Capacity	Max. Speed	Max. Instantaneous Power
BK688	AC 120V	60Hz	1000W	68oz/2.0L	25,000RPM	2400W

# Product Overview



**Lid Plug:** Insert through the lid plug opening and secure by turning clockwise. Turn counterclockwise and lift it to remove the lid plug for using the tamper or adding ingredients.

**2-Part Lid:** The 2-part Lid is easy to put on and take off and easy to clean. Always use the complete 2-part lid when blending, especially when blending hot ingredients (unless the tamper is inserted through the lid plug opening). Never operate the blender without the lid securely latched during operation.

**Container:** Ounces/milliliters/cups are marked.

**Blades:** Blades are made of ultra-sharp stainless steel. The container is designed to be completely cleanable without removing retainer nuts and blades. DO NOT attempt to remove the retainer nut or blades from the container.

**Centering Pad:** The container must be aligned over the centering pad. Never attempt to operate with the centering pad removed.

**Motor Base:** The motor is designed with dual protection circuits to prevent overheating and overload.

**Tamper:** Used to process thicker mixtures and keep ingredients moving towards and through the blades.

**CAUTION 1:** The tamper can only be used only when the main part of the lid is in place. Hold the container while using the tamper.

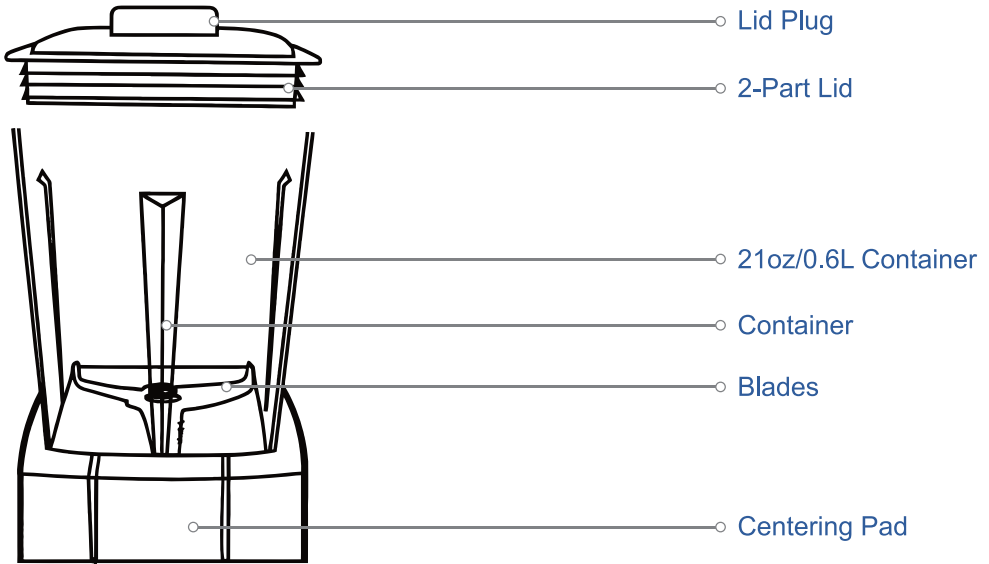
**CAUTION 2:** Lids and tampers are not interchangeable between different container styles, types, and sizes.

**Power Cord:** The blender is equipped with a long power cord. Store the unused portion neatly underneath.

**Bottom View/Cord Wrap:** Plastic cord retainers hold the cord securely. They are flexible and return to position after the cord is lifted out. **Slip Resistant Feet:** Prevent movement during use and prevent damaging marks on countertops or tables.



# Grinding Cup



**CAUTION 1:** When grinding large particles, it is best to press it with your hands to prevent the cup from falling due to sudden strong impact.

**CAUTION 2:** Please pay attention to safety during operation.

**CAUTION 3:** The recommended time for ingredients is 30 seconds.

**CAUTION 4:** The maximum working time is no more than 60 seconds for one cycle; after 3 consecutive working cycles, it must be stopped for 30 minutes and wait for the motor to cool down before working again.

# Control Panel



**a. On/Off:** This key controls power to the machine. Push up to turn on the machine. Push down to turn off.

**b. Variable Speed Dial:** Gives you manual control of lower speed from Variable 0 (stop) to MAX. It is active only when the High/Variable Switch is set in the Variable position. Warning: Always make sure that the marker on the Variable Speed Dial is set to 0 before pushing the On/Off Switch to the On position.

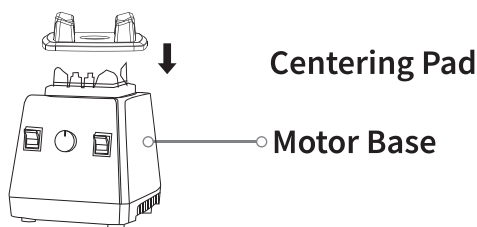
## **c. Pulse/Variable Speed:**

**Pulse:** High provides the best quality of refinement, breaking down ice, frozen fruit, whole fruits or vegetables, and grains to a smooth-lump-free consistency.

**WARNING:** Do not begin processing directly on the High setting. Always make sure that the Pulse/Variable Switch is set to Variable before pushing the On/Off Switch to the On position.

**Variable:** Switch to Variable to activate all of the lower variable speeds by using the Variable Speed Dial.

# How to Use Your Blender



1. Place the motor base on a clean, dry, even, level, and firm surface such as a countertop or table.
2. Make sure the centering pad is securely aligned over the motor base before using.
3. Cut food into smaller pieces for more efficient blending. Add ingredients to the container, making sure not to exceed the "MAX" fill line.

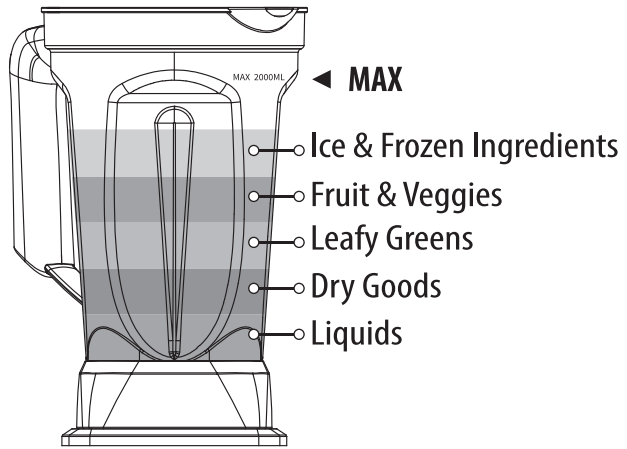
## **WARNING**

DON'T fill the container with Hot ingredients over half full capacity to avoid overflow and cause injury.

**NOTE:** If you need to add additional ingredients while the appliance is processing, open the lid plug and pour ingredients in through the lid plug opening. Make sure the main part of the lid is in place when adding ingredients.

**IMPORTANT: NEVER RUN THE APPLIANCE EMPTY.**

**Tips:** How to load your container according to your recipe? We suggest liquids first, then dry goods, leafy greens, fruit & veggies, and finally ice & frozen ingredients.

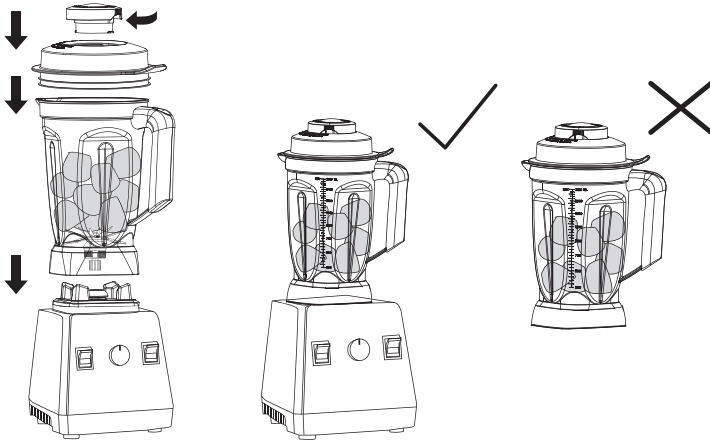


**4.** With the motor off, set the container on the motor base by aligning it over the center pad. The container can be installed in four different orientations. The handle can be aligned on either of the 4 sides of the motor base. Do not ever attempt to put a container on an operating motor base or to operate a motor base without a container properly in place. The motor will not work if the container is not installed correctly.

**CAUTION:** Never attempt to remove the container while the appliance is still running.

**5.** Push the lid down into the container firmly with lid flaps midway between the spout and the handle. Insert the lid plug into the lid plug opening and turn clockwise to lock it in place.

**CAUTION:** Never operate the blender without the lid securely latched during operation. Always use the complete 2-part lid when blending, especially when blending hot ingredients (unless the tamper is inserted through the lid plug opening).

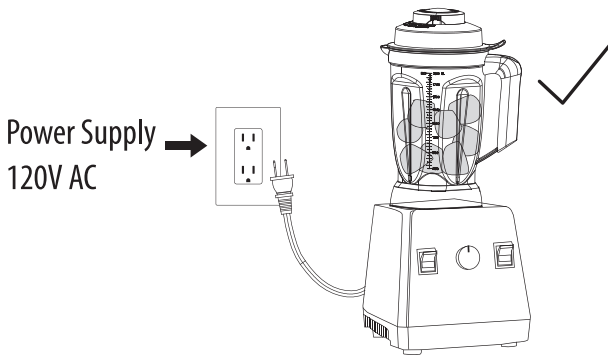


6. Check up the Variable Speed Dial. **Make sure the High/Variable Switch is switched to the Variable position and the marker on the Variable Speed Dial is pointing to "0" before powering on.** When the unit is connected to power and the container is correctly put onto the motor base, the unit will work at once under the set speed that the marker on Variable Speed Dial is pointing if the marker on Variable Speed Dial is not at "0".

7. Plug the blender into a grounded, 2-prong outlet.

**Warning: Make sure the power plug is safely connected to a grounded wall electrical socket.**





Warning: After plugging in, **NEVER** insert your hands into the container, as you may contact one of the blades and experience a laceration.

8. Start to blend using the Variable Speed Dial.

**IMPORTANT!** Never start on speeds above 0 with hot liquids to avoid possible burns. Always start on Variable 0 and slowly increase speed. Escaping steam or splashes from contents may scald. Lock the lid and lid plug securely in place before operating the machine.

## Cleaning Method and Storage Method

Before cleaning, please **make sure** the power plug is unplugged from the socket.

**Do not** use thinners, gasoline, abrasive cleaners, polishing powders, scrubbers, nylon, or metal scrubbers.

**Do not** use hot water above 40°C.

**Do not** use a dishwasher or dishwasher.

Unplug the power plug from the socket when not in use. If you don't use it for a long time, please dry it thoroughly and store it in a well-ventilated place away from direct sunlight.

1. Fill a cup to about 1/2 full with water or lukewarm water (40°C or lower), add a small amount of kitchen detergent, and close the lid.
2. Clean for more than 30 seconds.
3. Rinse with water and dry thoroughly.
4. Wipe the main unit with a wrung cloth, and then wipe it with a dry cloth.

## Product Parameters

Power supply	120V 60Hz
Average Power	1000W
Number of speeds	25000
Maximum working hours	≤60 sec
Cool down time	≥60 sec
Capacity	2000ML
Power cord length	1.5M
Max. Instantaneous Power	2400W

# Common Problems and Solutions

Cases	Consider possible reasons	Solution
Does not work even when connected to power	Is the power plug disconnected from the outlet?	Make sure the power is properly connected.
Idling (doesn't stir well)	Is the amount of fluid too low?	Please add an appropriate amount of liquid (not less than 50ml).
	Too many ice cubes?	Please reduce the number of ice cubes.
	The safety device was activated due to the use of too large or too much material.	Cut the material into small pieces and wait about 10 minutes for the body to cool before use.
	Is it used continuously?	Please wait for the machine to cool down before use.
Water leakage	Is the cover tight?	Please tighten the cover.
	Is the cup out of place?	Please place the cup correctly on the machine.
	Does the blade wobble?	Prolonged use may cause wear to the blade.
Abnormal sound	Is the material too large or too much?	Cut the material into small pieces/reduce.
	Are the ice cubes too big?	Will cause damage to the blade, please do not use ice cubes that are too large.
Vibration is severe	Are you using the product on uneven or unstable surfaces?	Please use it on a level table.
	Is the food too big or too much?	Cut the material into small pieces and reduce.
Machine heat/odor	Is the food too big or too much?	Cut the material into small pieces and reduce.
	Is the continuous run time too long and the rest time too short?	The maximum operating time is 5 minute. Please wait about 20 minutes for the body to cool down before use.

Learn more about , please visit us at

[praskylife.com](https://praskylife.com) 



## Support Online Instant Chat



 [support@praskylife.com](mailto:support@praskylife.com)  
 [praskylife.com](https://praskylife.com)  
 1-866-228-7981



Made in China



COLORO 121-39-28



PANTONE 7457 C

素材:128G铜版纸

尺寸:145\*210