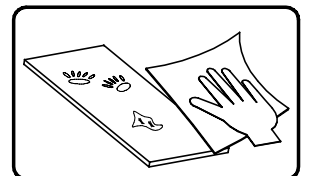
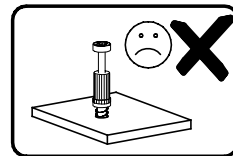
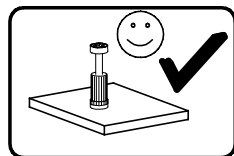
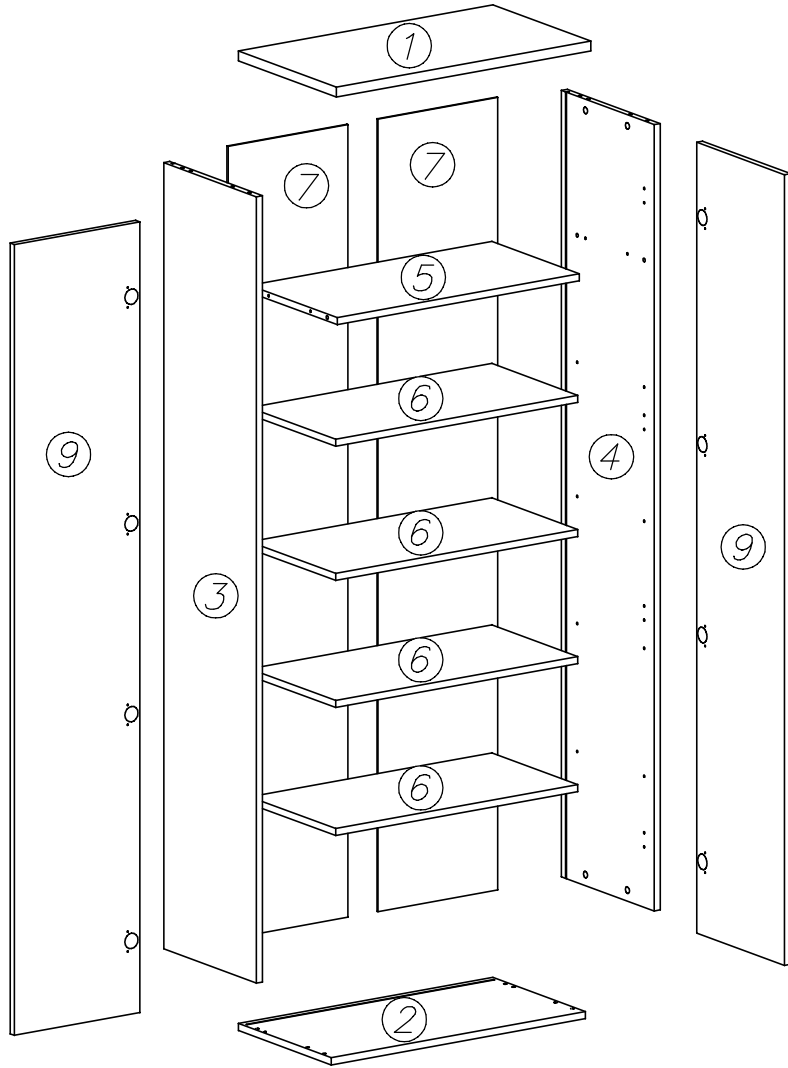
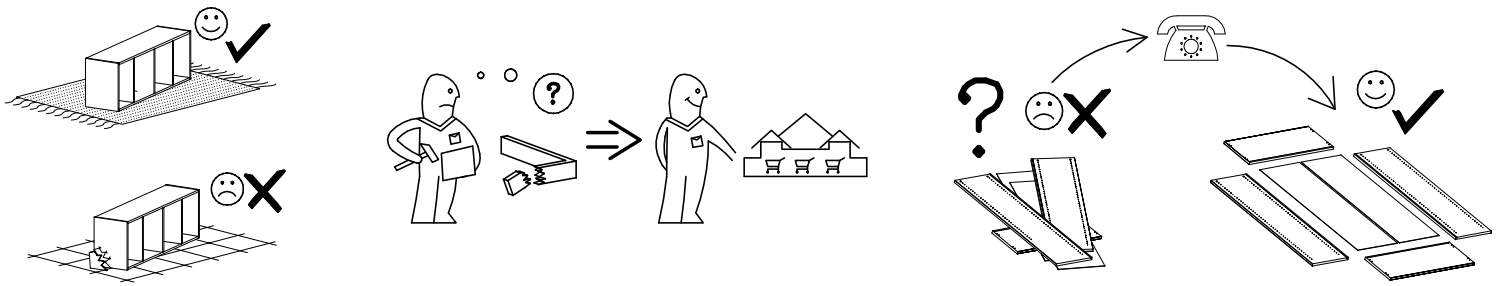
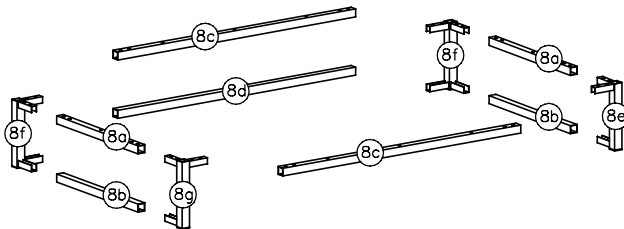


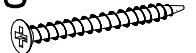
1,5h

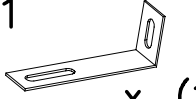


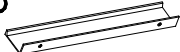


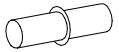
nr	L[mm]	B[mm]	T[mm]	Menge	Colli
1	680	374	22	1	1/2
2	680	354	16	1	1/2
3	1782	354	16	1	2/2
4	1782	354	16	1	2/2
5	647	334	16	1	1/2
6	647	328	16	4	1/2
7	1794	329	3	2	2/2
8a	314	18	18	2	1/2
8b	314	18	18	2	1/2
8c	636	18	18	2	1/2
8d	636	18	18	1	1/2
8e	150	20	20	1	1/2
8f	150	20	20	2	1/2
8g	150	20	20	1	1/2
9	1792	335	16	2	2/2
BESCHLAGE					1/2

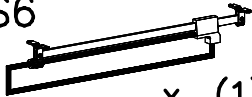



G28

 4x60 x...(1)


M11

 x...(1)


E96

 224mm x...(1)


F2

 x...(16)

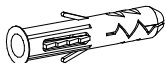
S6

 x...(1)


N36

 M5x10 x...(28)

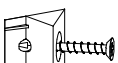
G34B 
 Black/Schwarz
 3,5x16 x...(2)


G34 
 3,5x16 x...(28)

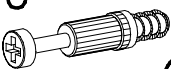
K1 
 ø15x12 x...(12)


U6 
 ø8x40 x...(1)

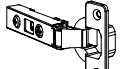
I7 
 x...(12)


I1 
 x...(10)

S1 
 1781mm x...(1)

K10 
 x...(12)

B1 
 ø8x35 x...(12)

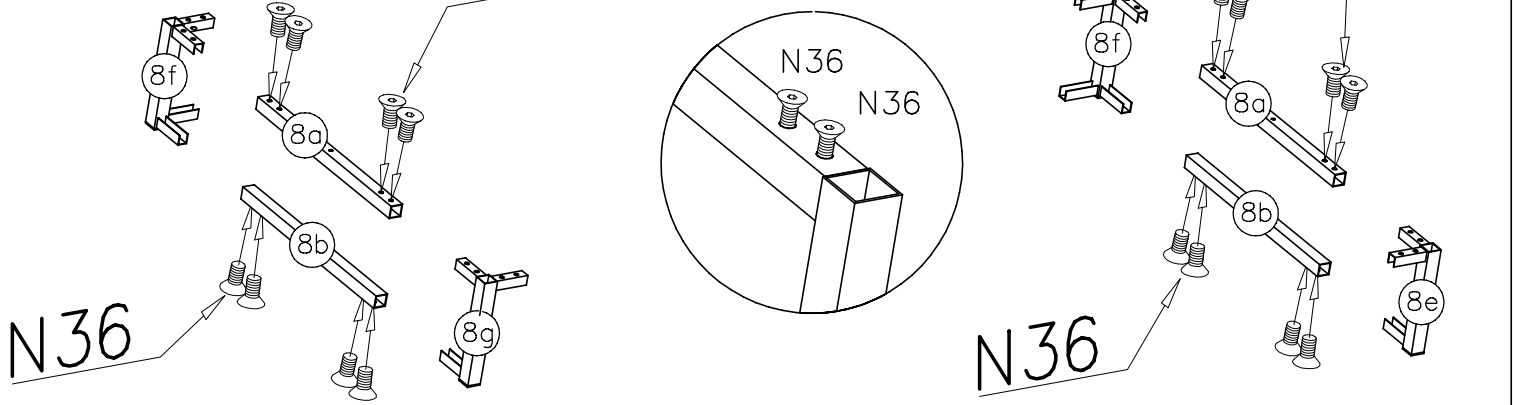
C15 
 Z35CL x...(8)

D15 
 PZ35CL x...(8)

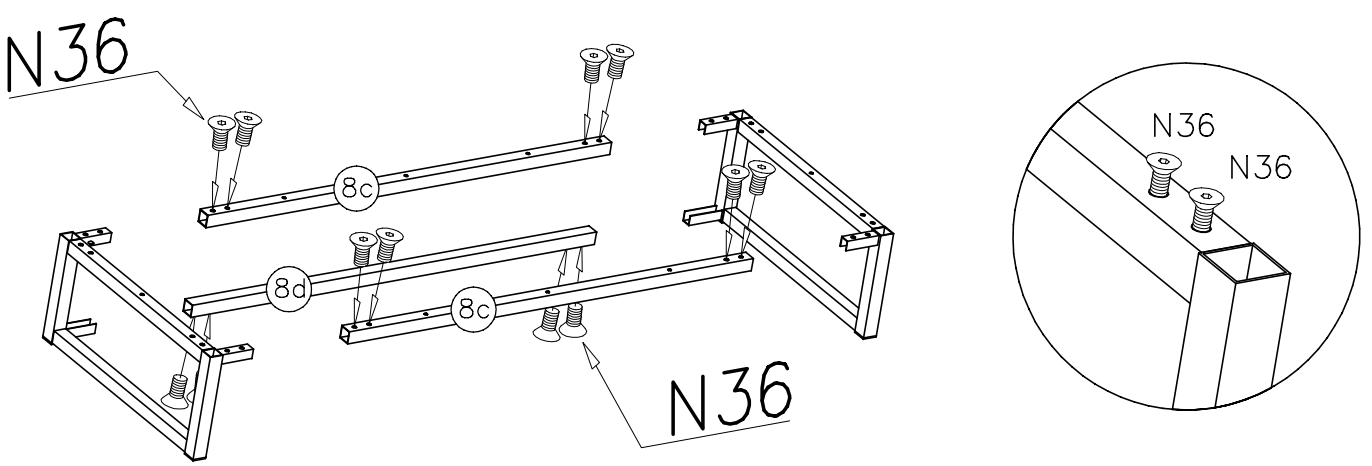
G8B 
 Black/Schwarz
 4x30 x...(8)



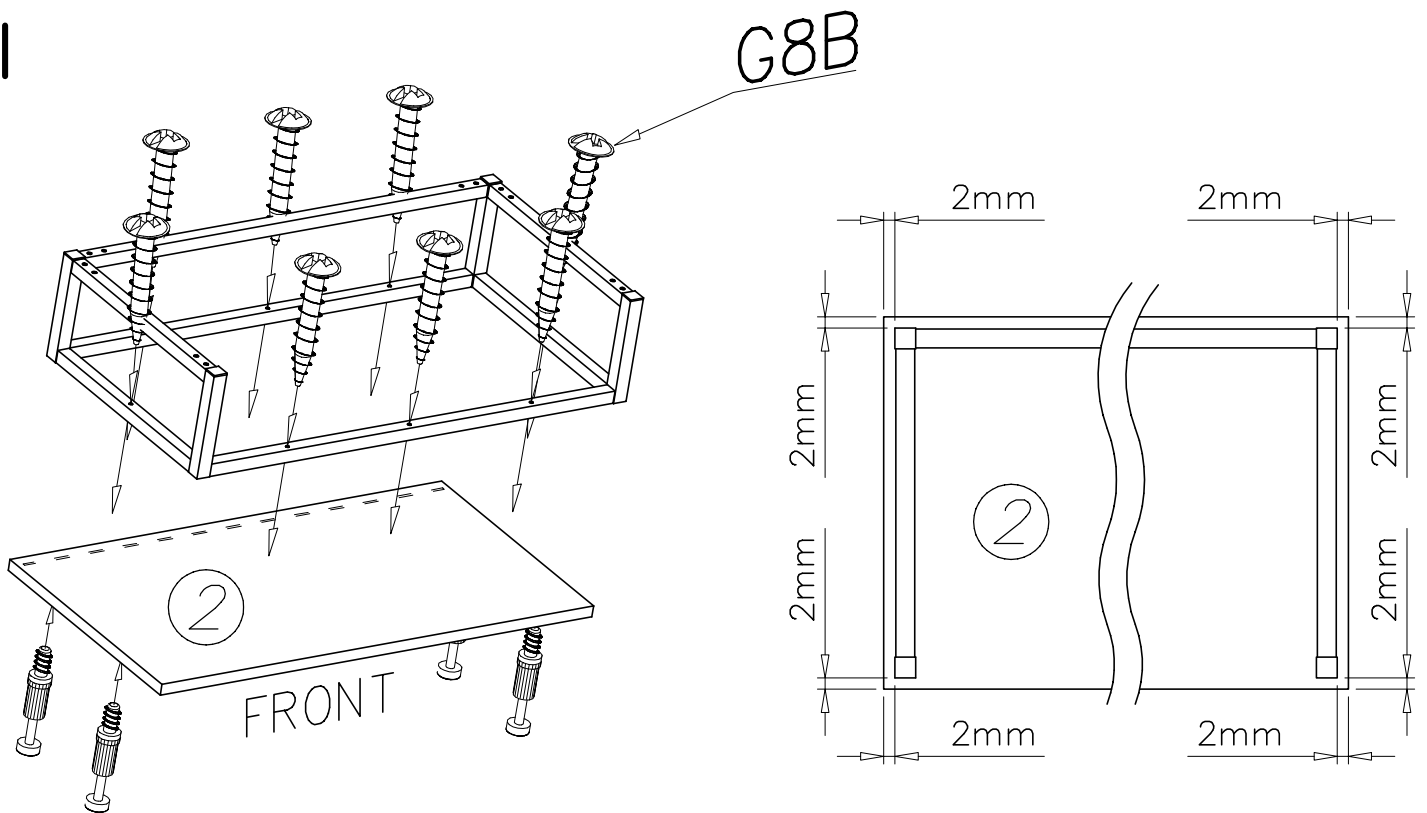
I

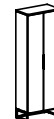


II

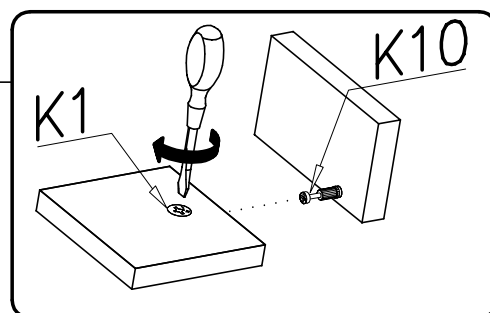
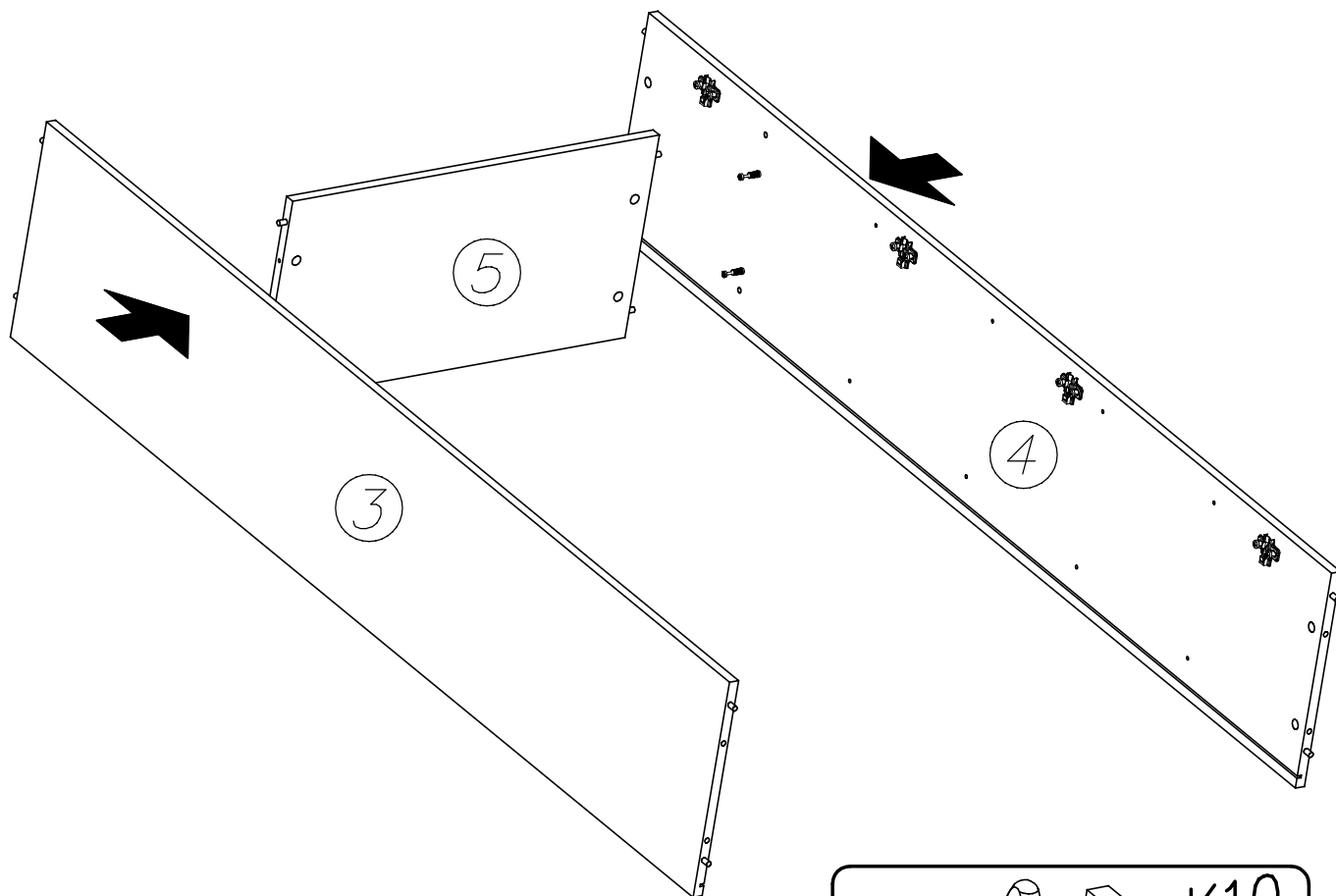


III

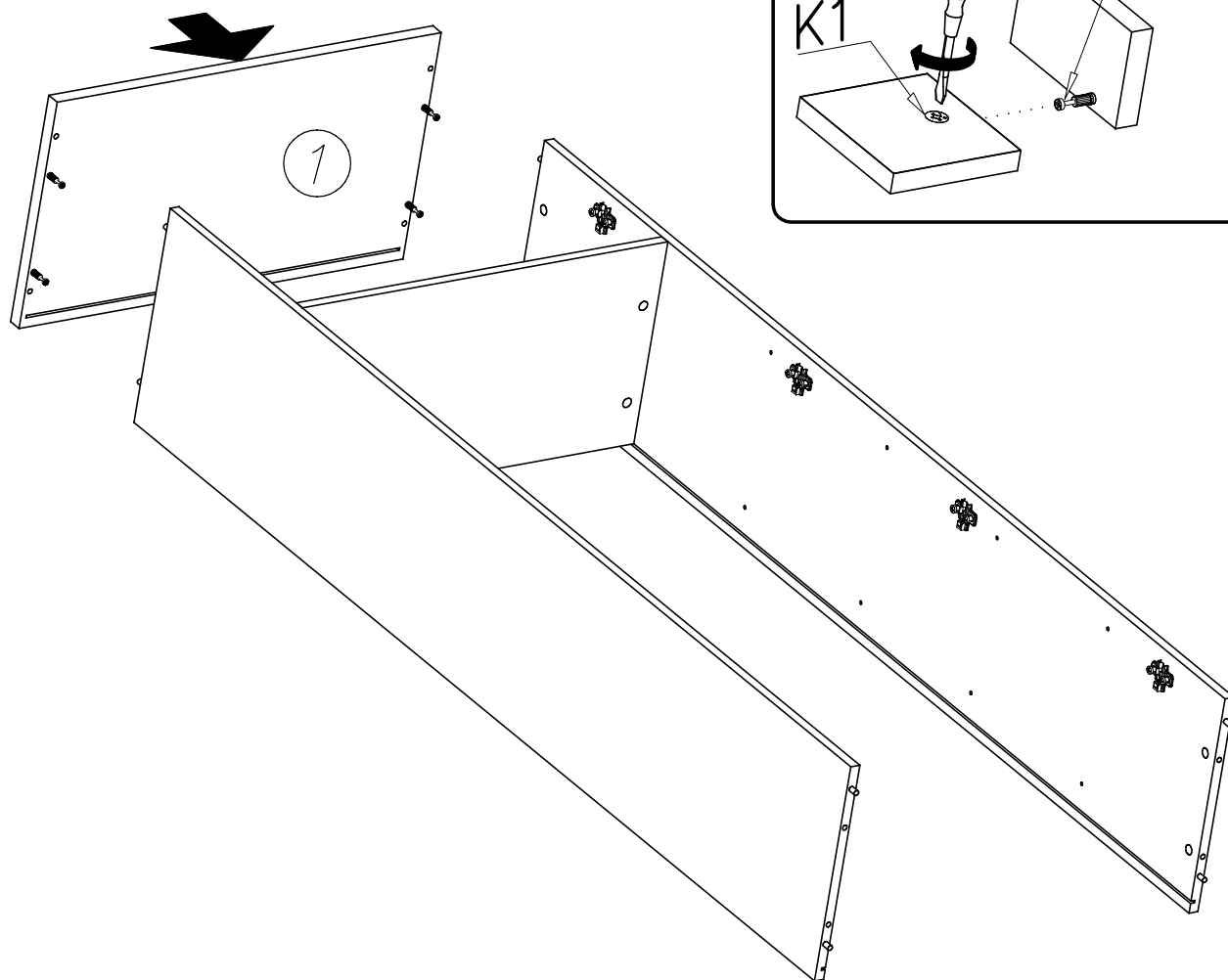


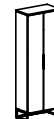


V

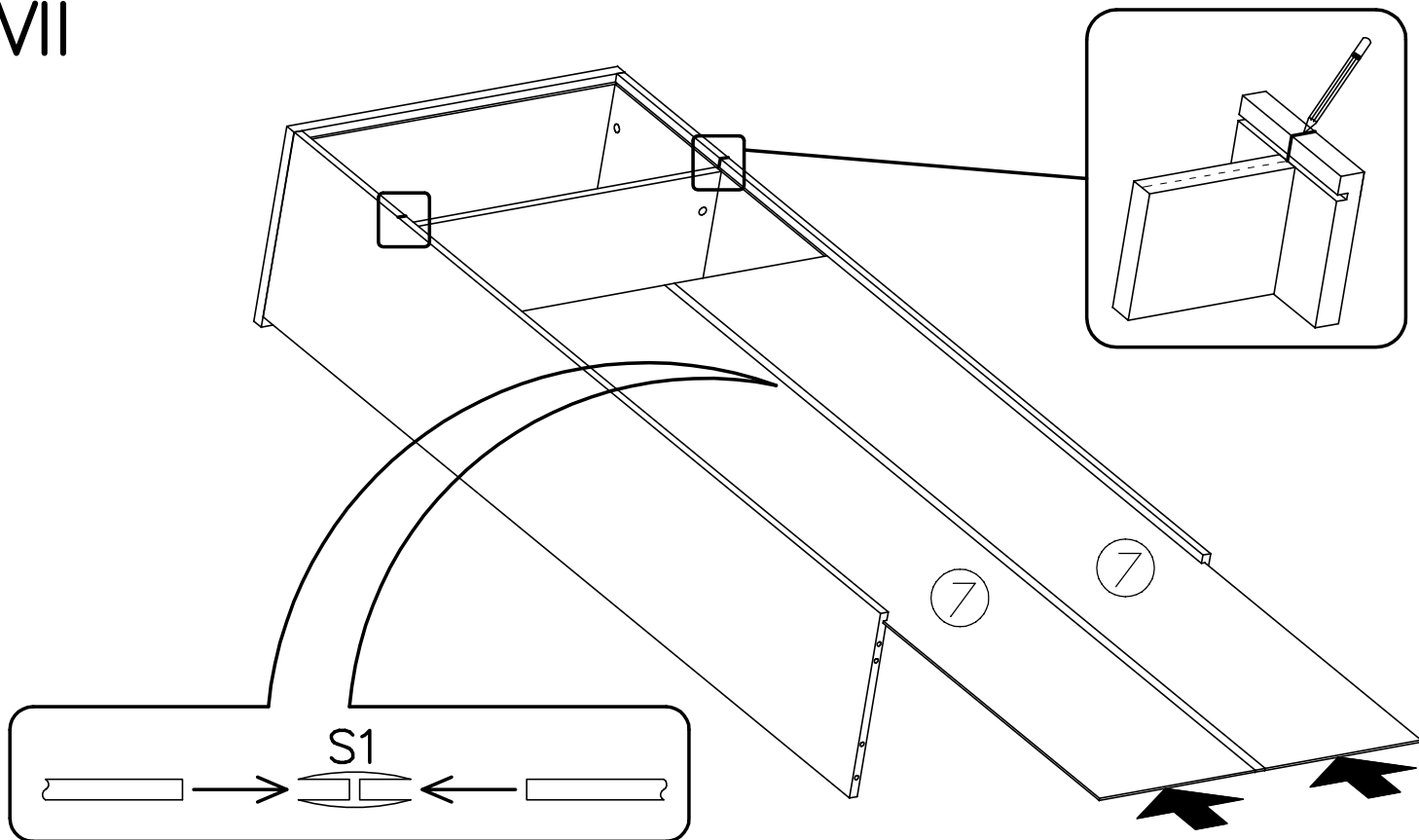


VI

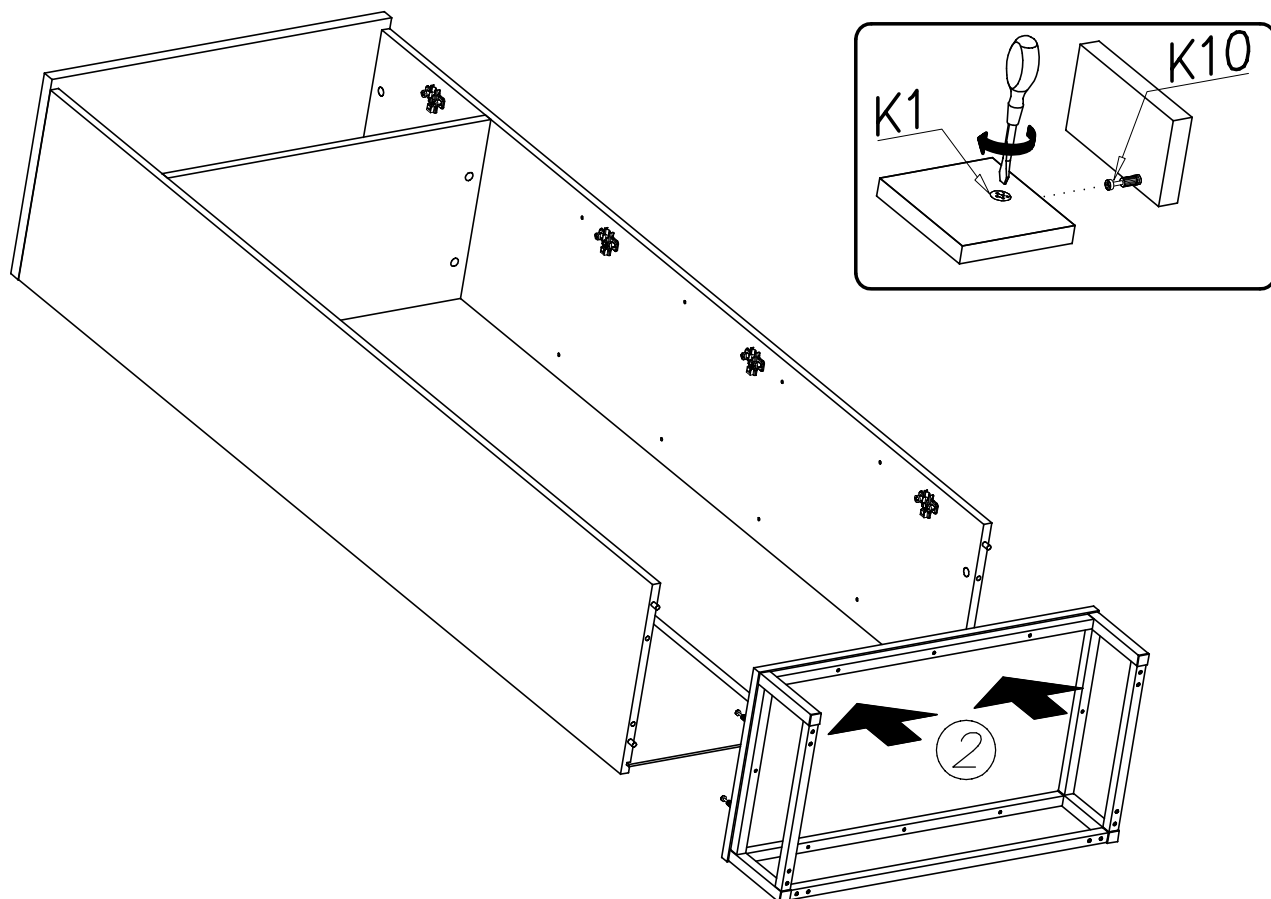




VII

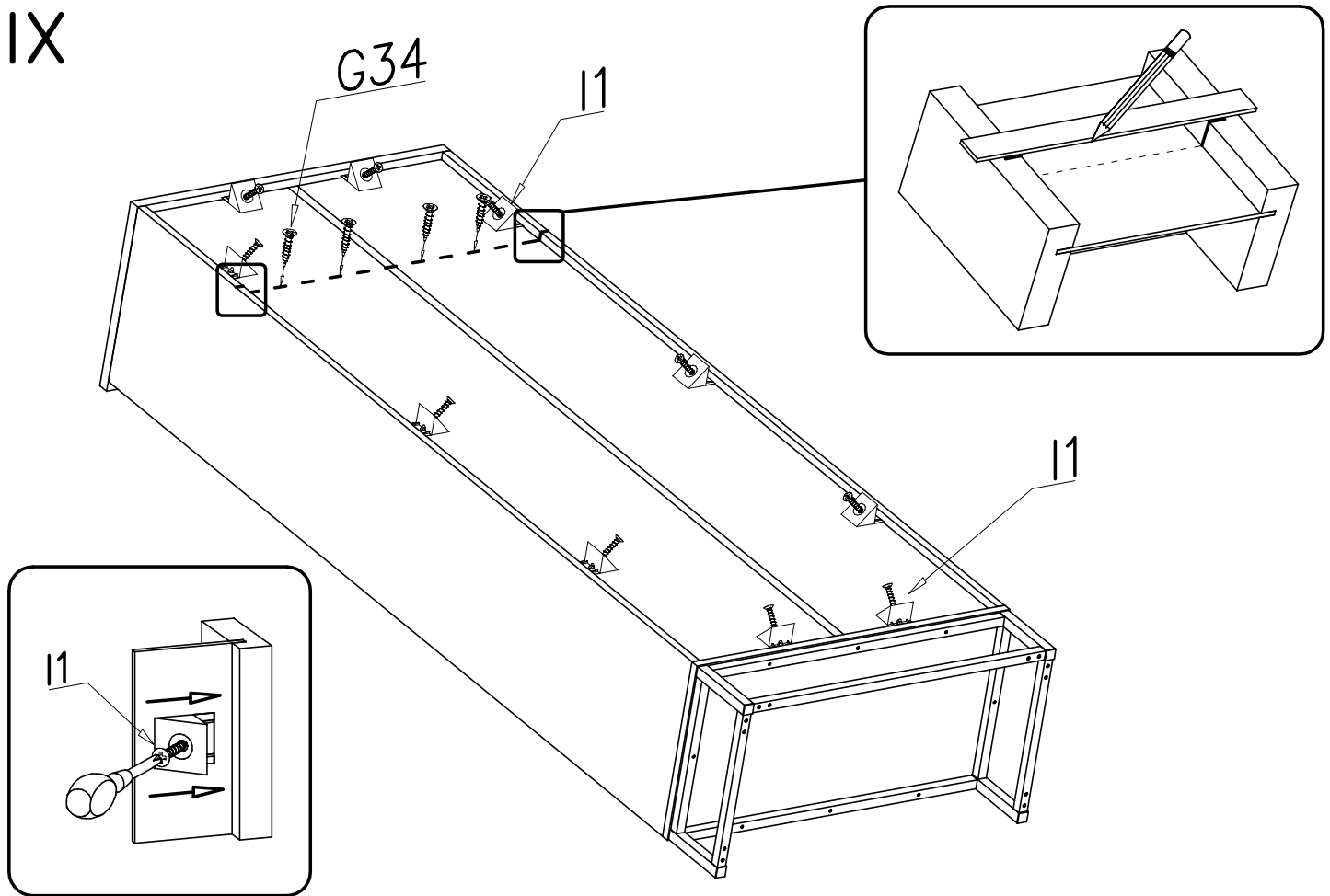


VIII

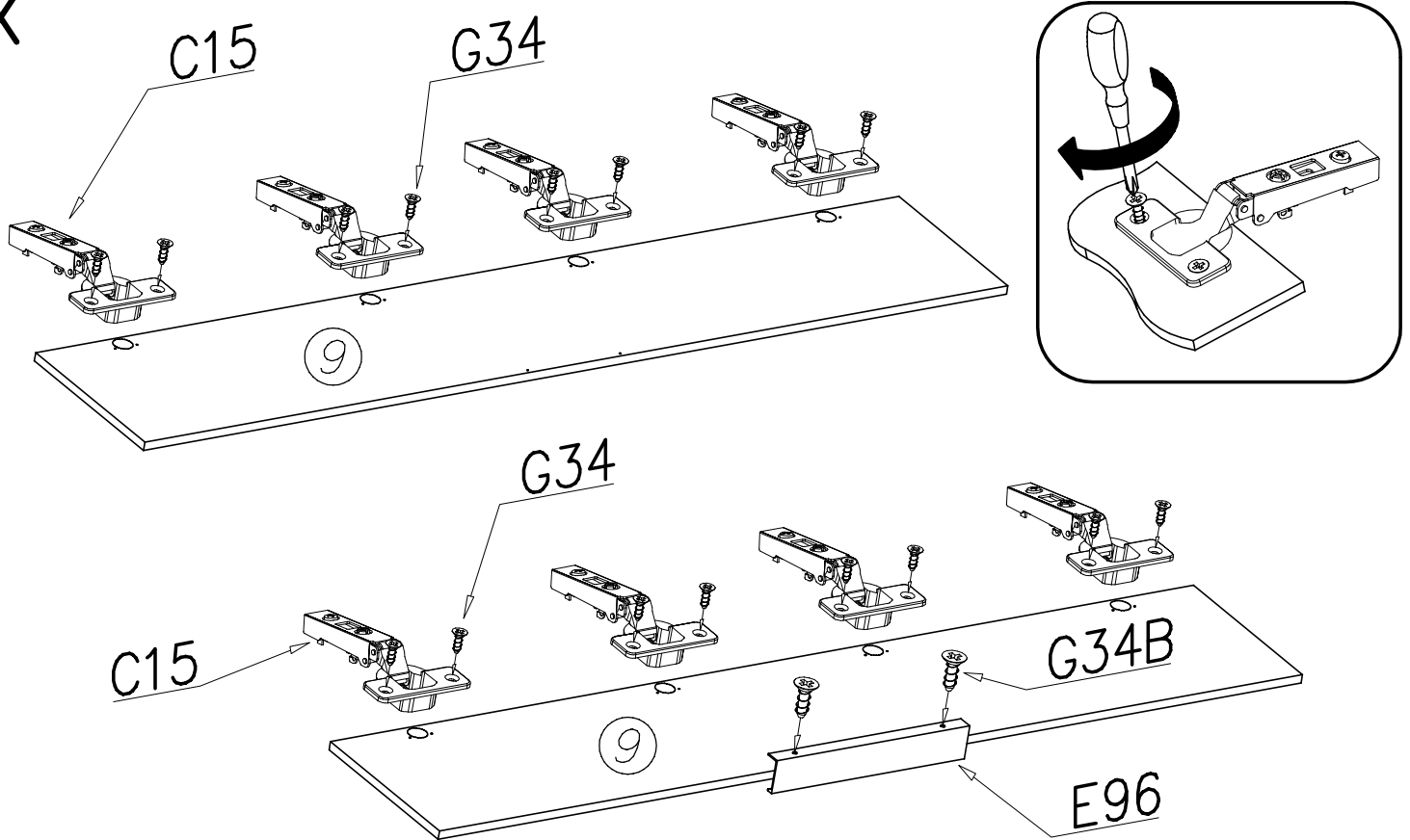


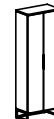


IX

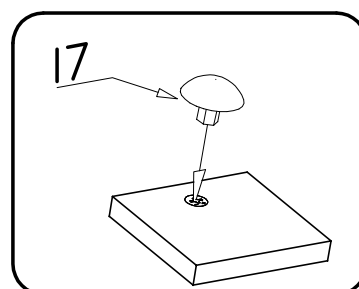
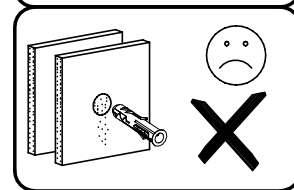
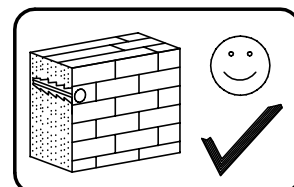
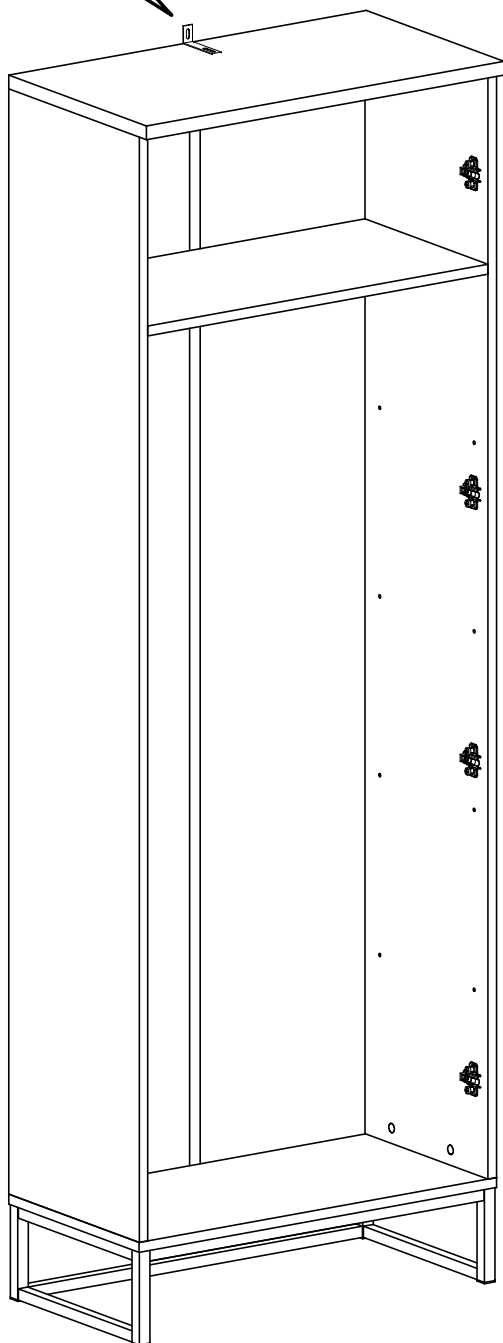
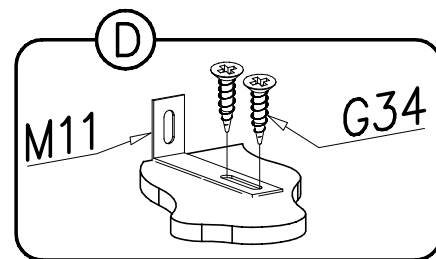
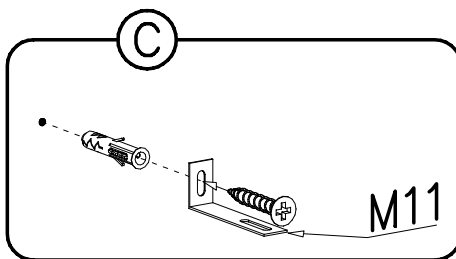
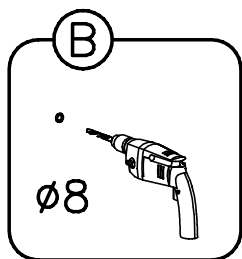
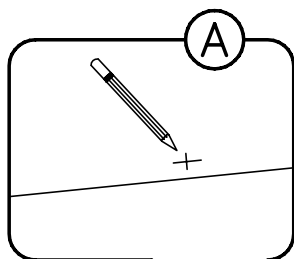


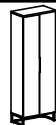
X



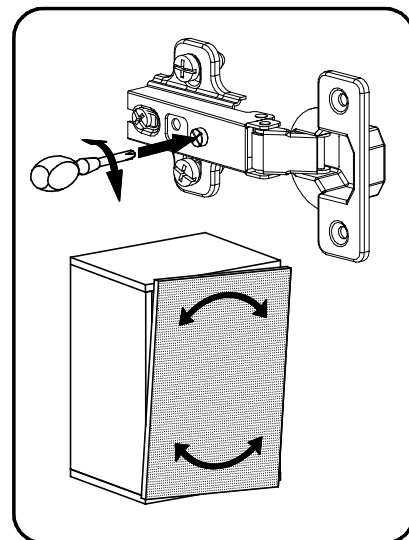
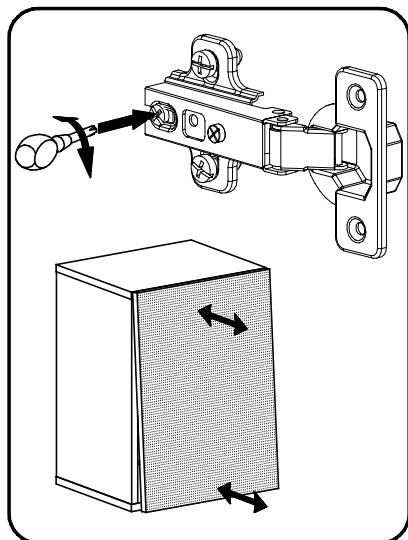
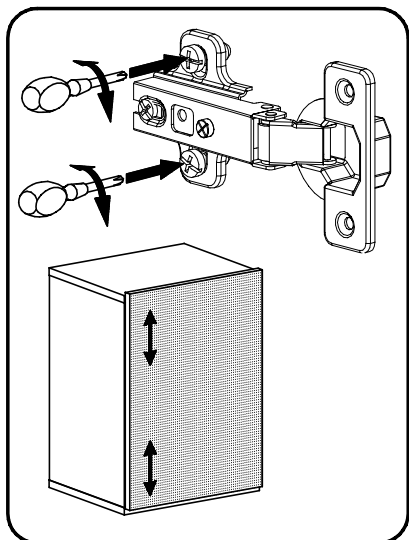
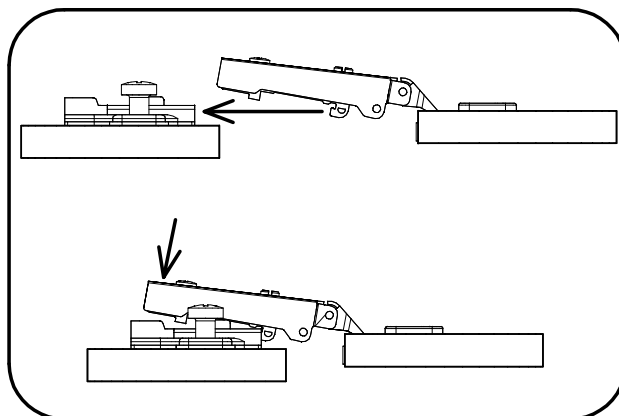
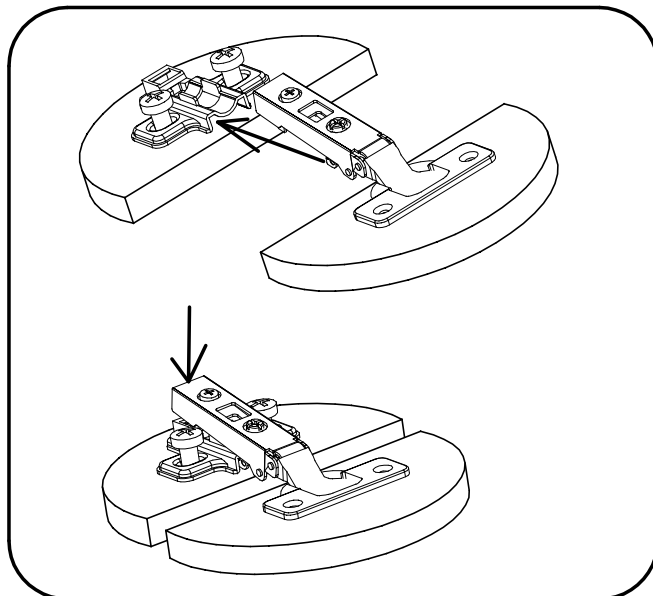
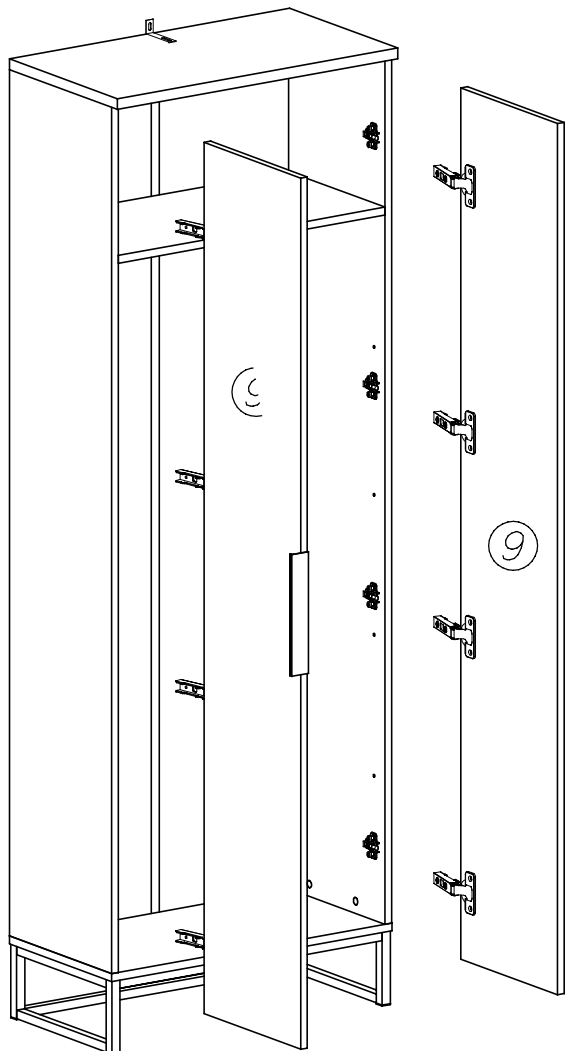


XI





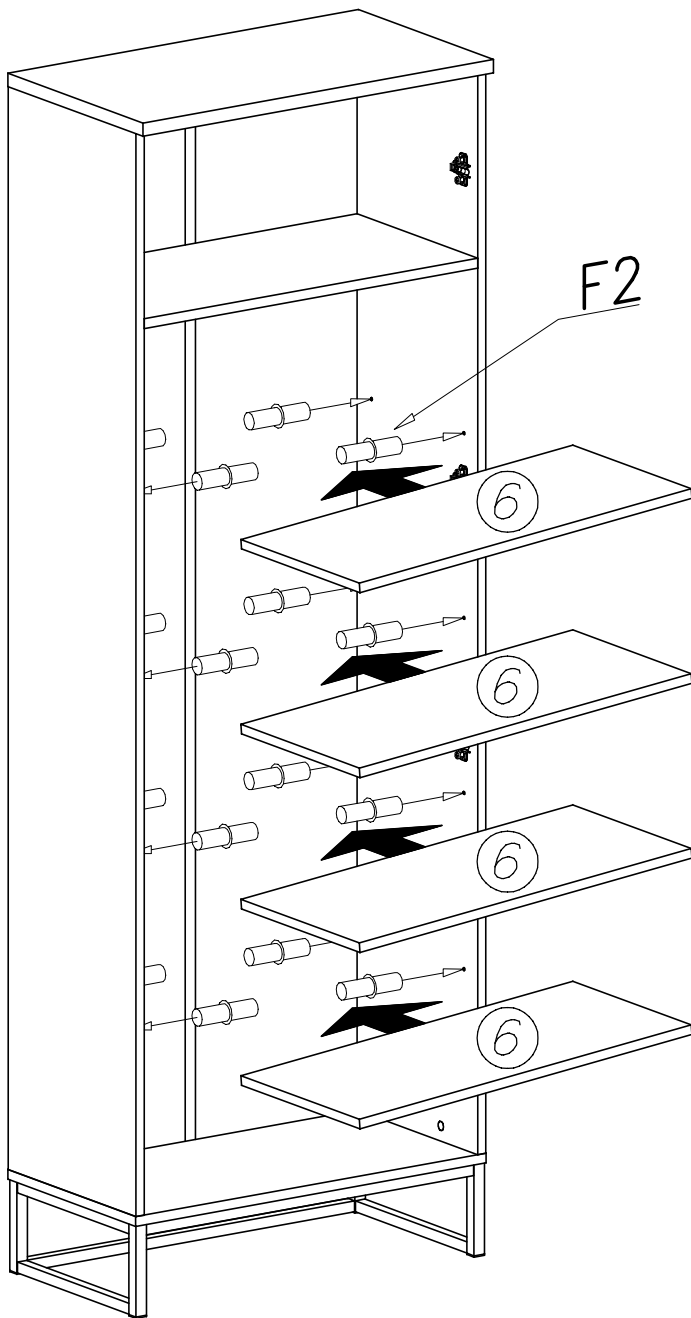
XII





XIII

VERSION A



XIII

VERSION B

