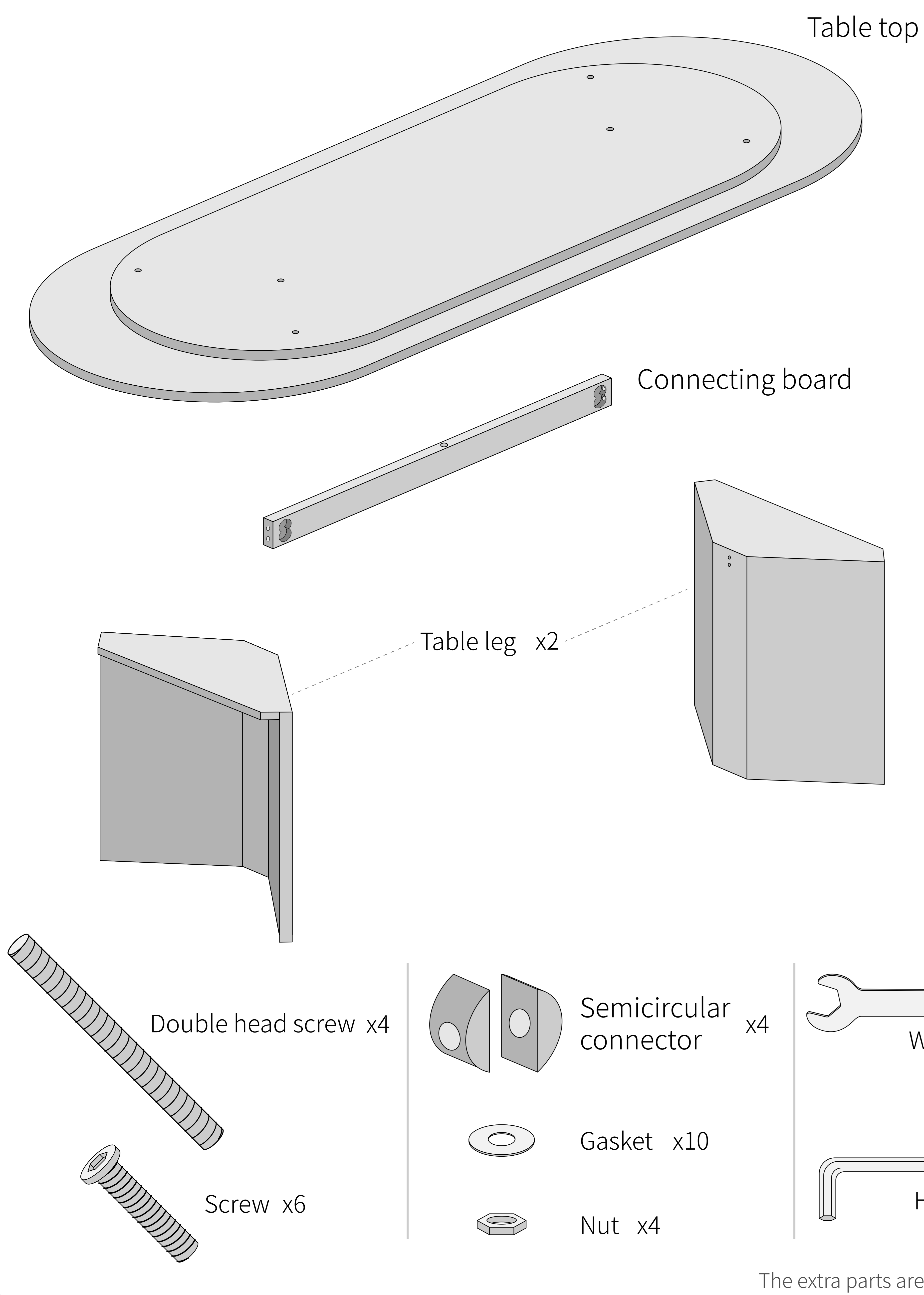


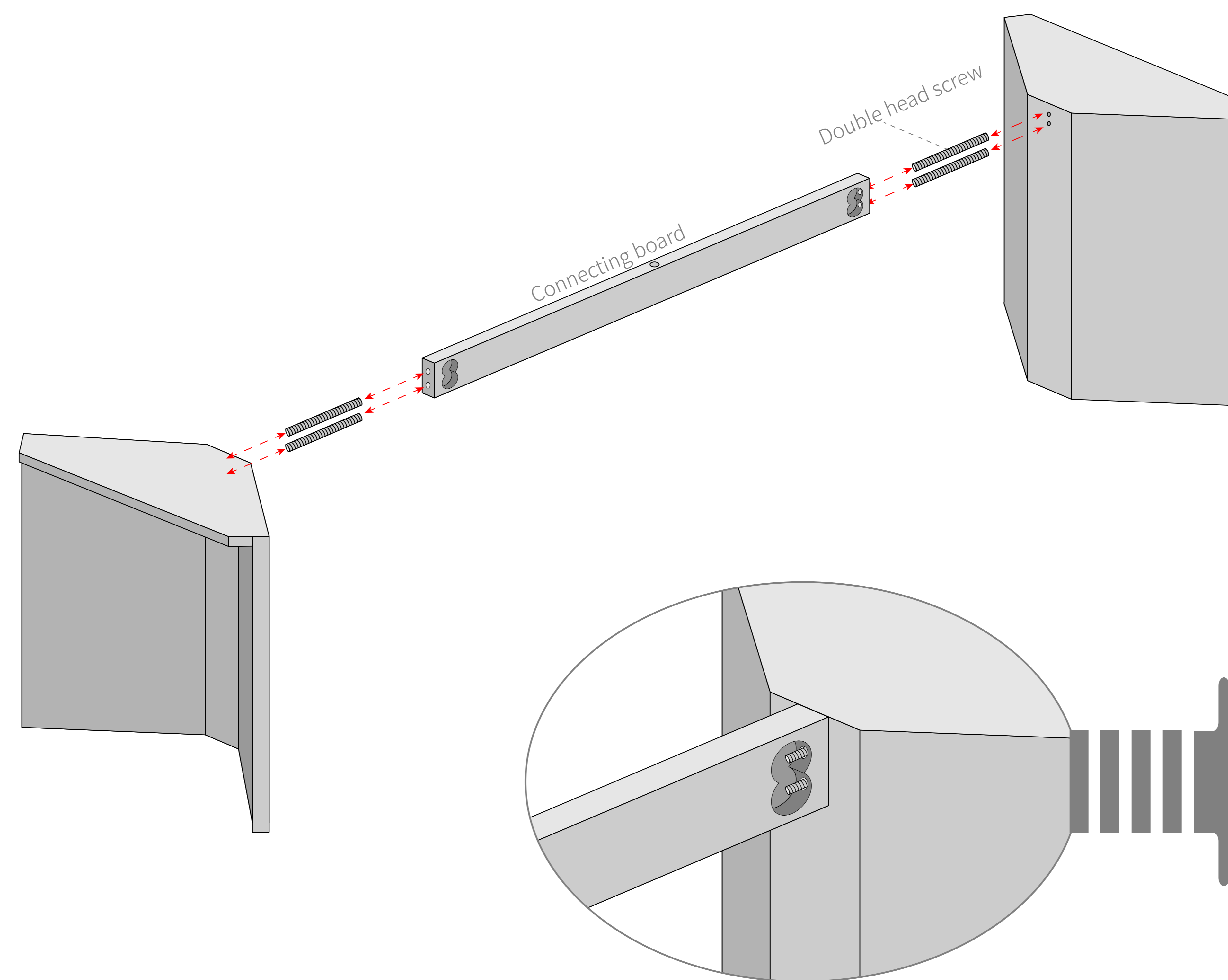
INSTALLATION INSTRUCTIONS

PARTS LIST



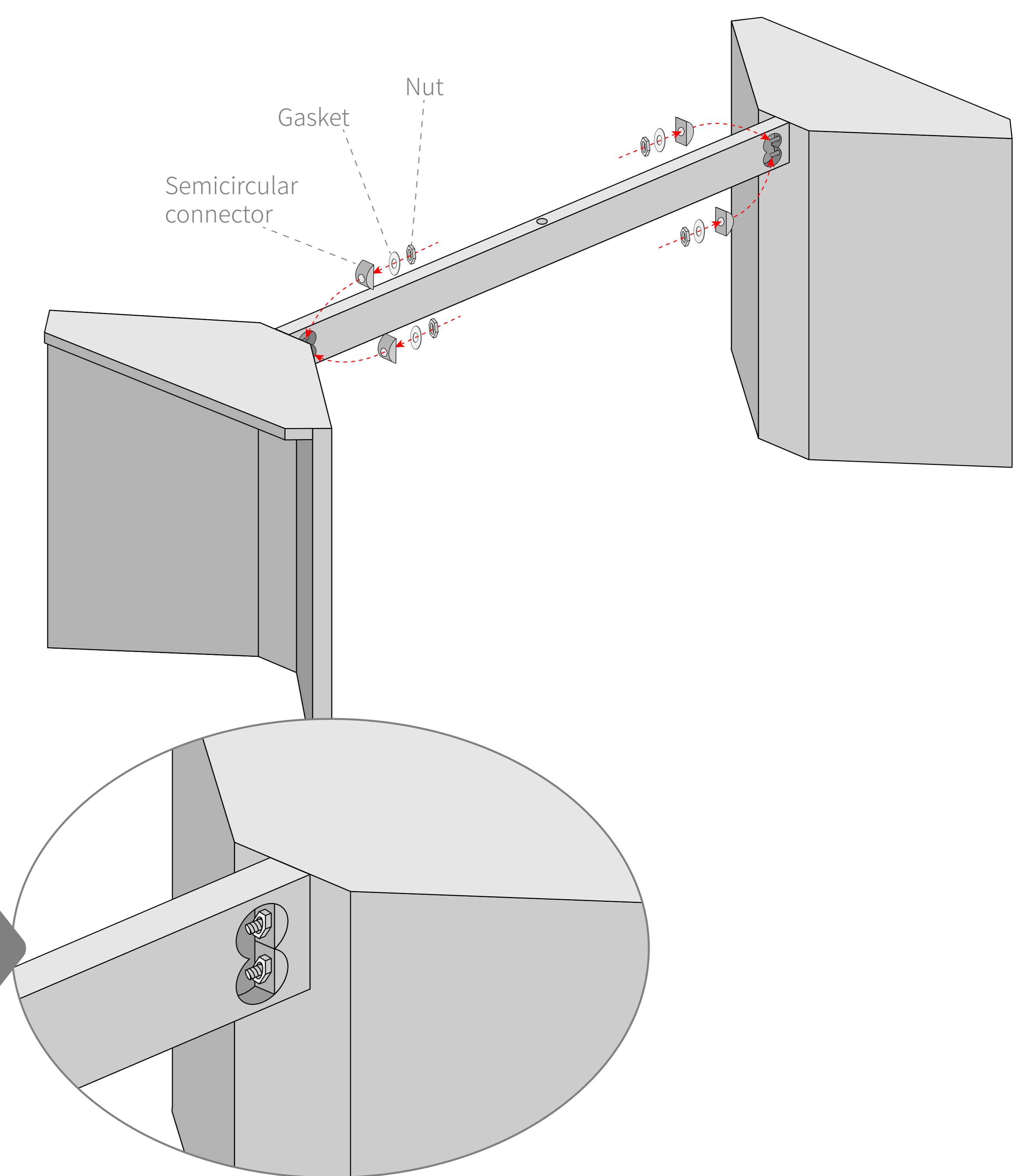
STEP 1

Connect the Connecting board and table legs with double-headed screws



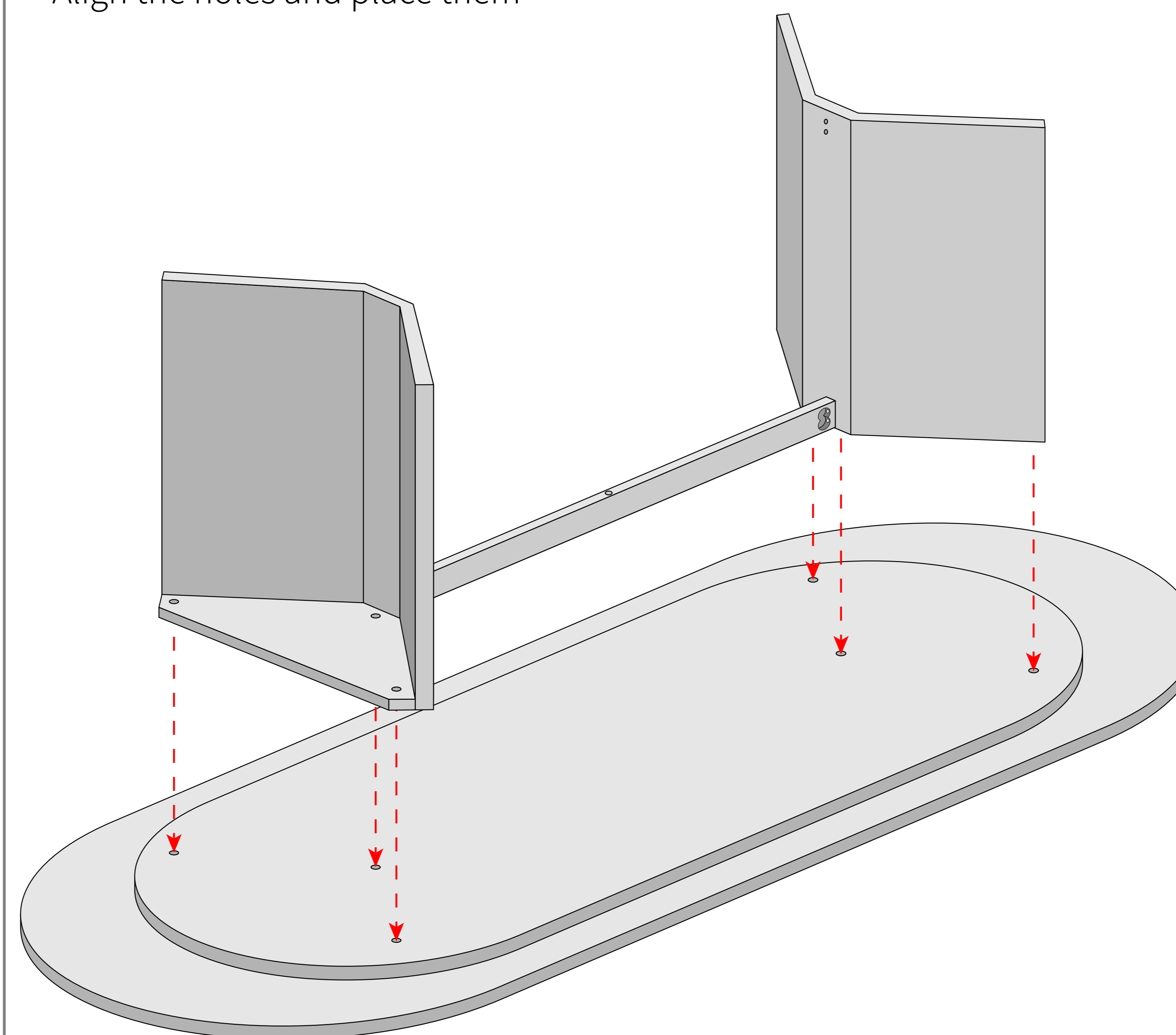
STEP 2

It is fixed with semi-circular connectors, gaskets and nuts



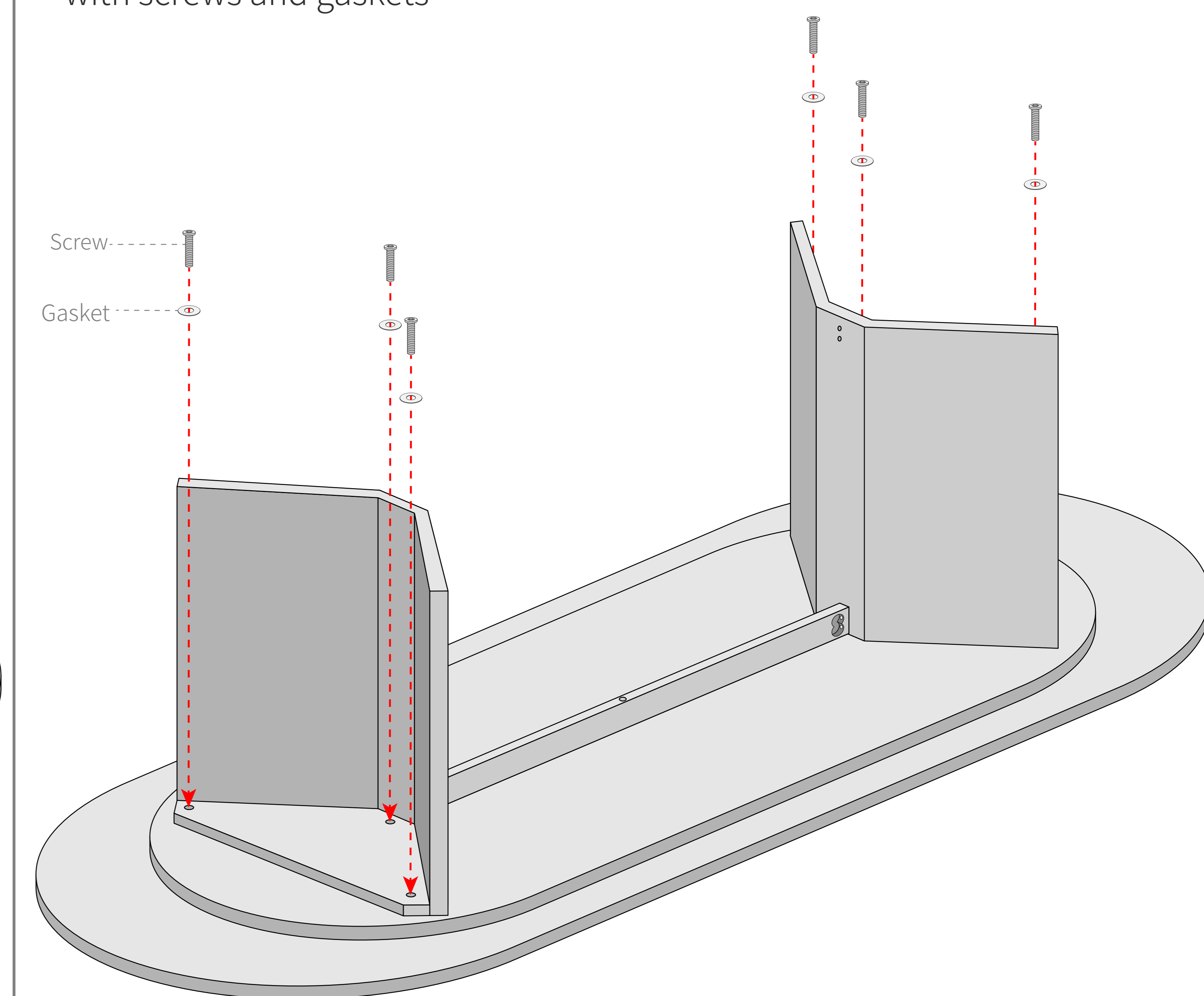
STEP 3

Turn the table legs and tabletop upside down, bottom facing up, Align the holes and place them



STEP 4

Secure the foot of the table and the connecting board with screws and gaskets



MARBLE CLEANING. MAINTENANCE. PRECAUTIONS

· REGULAR CLEANING:

The marble should be cleaned with special cleaning agents to avoid damaging the surface structure. In general, a neutral cleaner, such as alcohol or warm water, should be used and then wiped with a clean cloth to maximize the cleaning of the surface

· DECONTAMINATION:

To remove dirt on the marble, you can use a one-time wet, and then rinse it off with water. If there is oil, you can use dish soap, but be careful not to use too much, so as not to break the internal structure of the marble.

· MAINTENANCE:

The marble should be regularly maintained with paraffin wax to increase the surface light, and to effectively protect the surface from pollution erosion. In addition, it is also important to polish the marble regularly to maintain the finish and water resistance.

· NOTE:

When cleaning, note: do not use detergent containing acid components, do not use metal or other hard objects to clean the marble, so as not to wear the surface.

INSTALLATION COMPLETE

