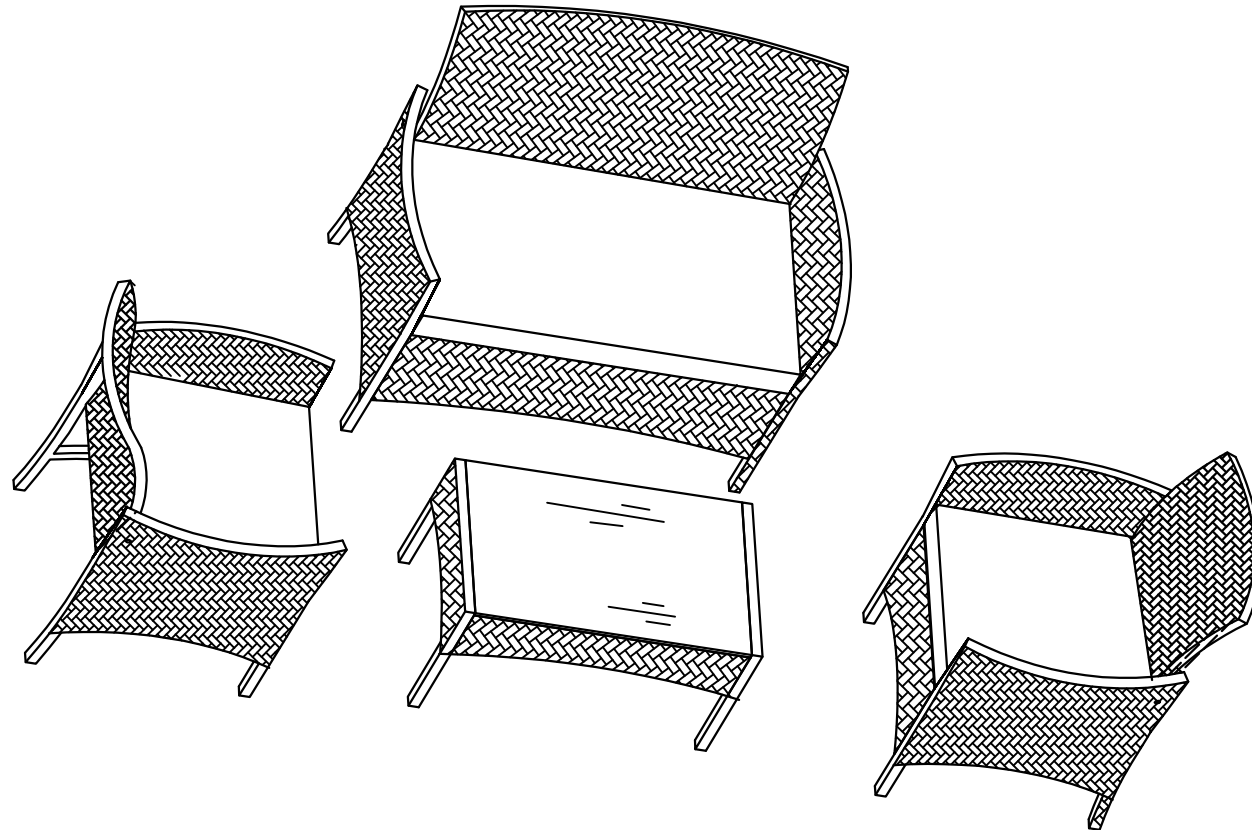


ASSEMBLY INSTRUCTION







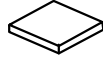



Warning

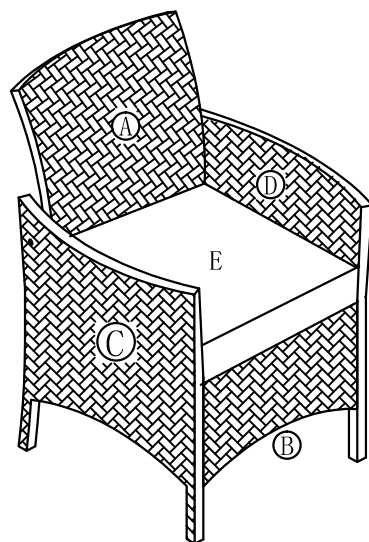
Please read the instructions manual carefully before assembly

Please assemble in strictly in accordance with the instructions

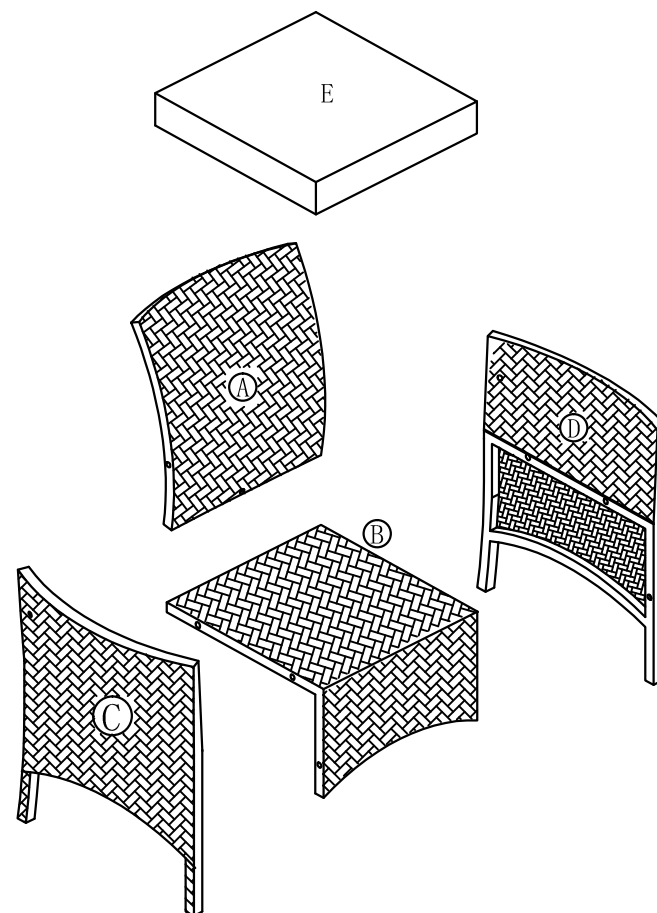
Please double check to ensure that all parts of the package contents intact you can use a wooden hammer to help assemble to make sure the joints and tubes assembled in position.

If any parts are missing, broken, damaged or worn, stop using this product until repairs are made factory replacement parts are installed, you may obtain replacement parts by calling us

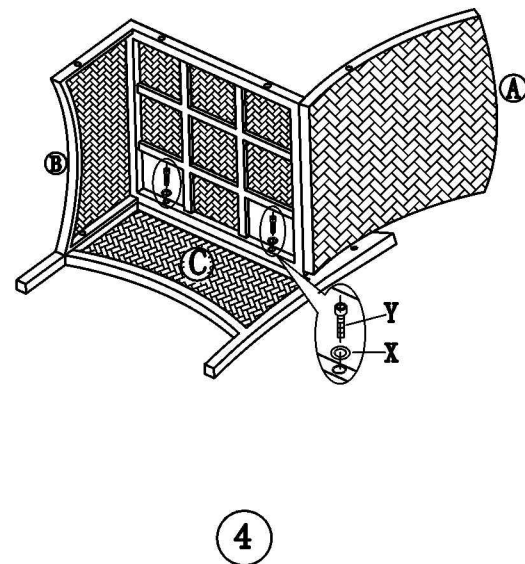
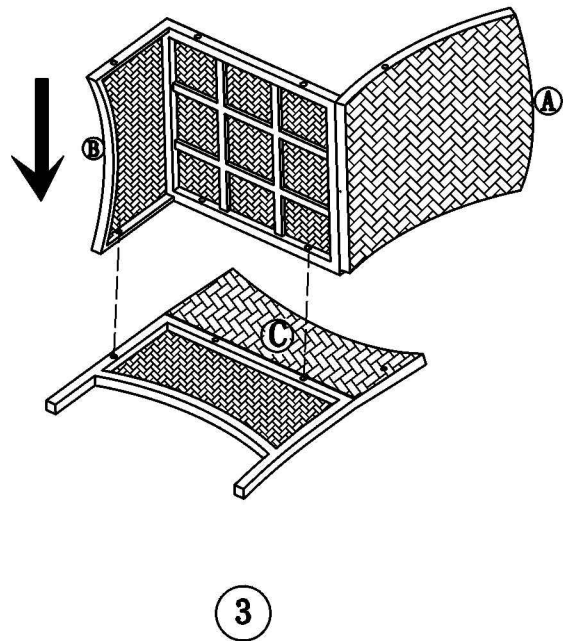
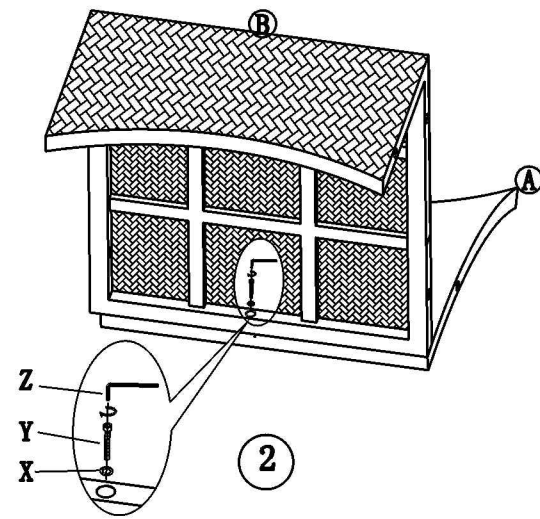
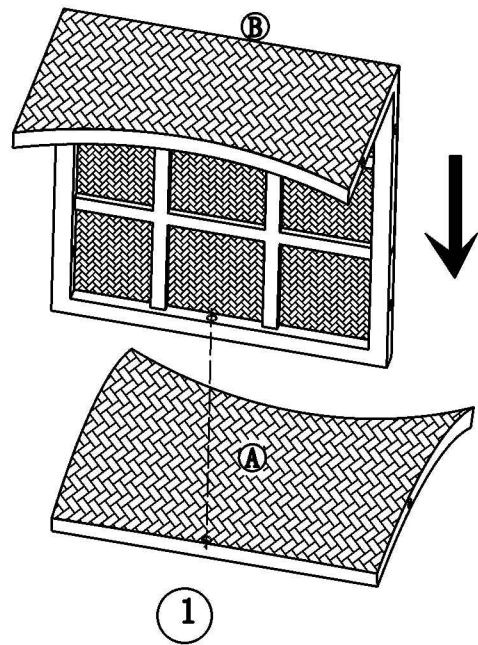
No.	PARTS	QTY.	
A		2	
B		2	
C		2	
D		2	
E		2	
X	M6		18
Y	M6x40		18
Z	M6		1

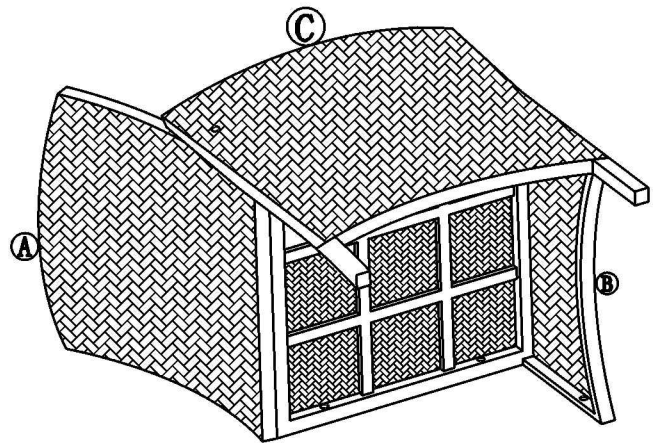


x2

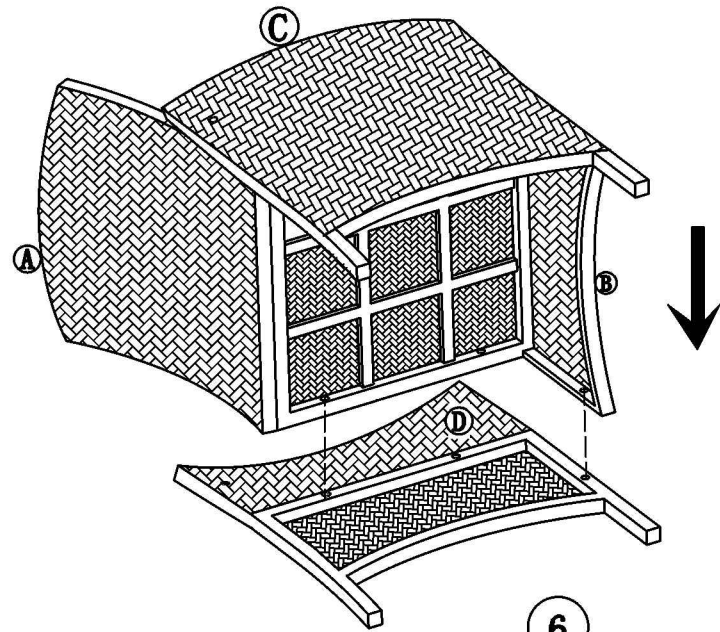


1. Do not tighten the screws one after another immediately until all screws are lined up with holes.
2. Screws may not line up with the holes, if this situation occurs during assembly, please loosen the screws a little and then tighten them in diagonal way again.
3. If the product is uneven after installation, please loosen the screws, put strength on it to make sure all the legs are in the same level and then go on assembling it.

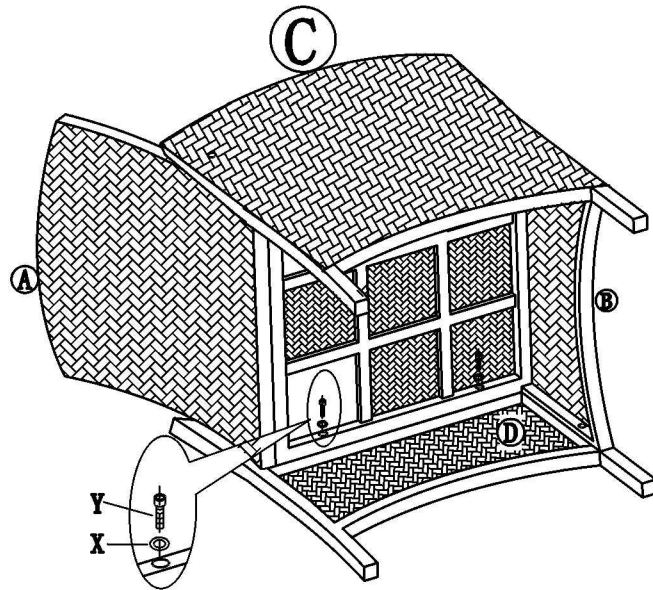




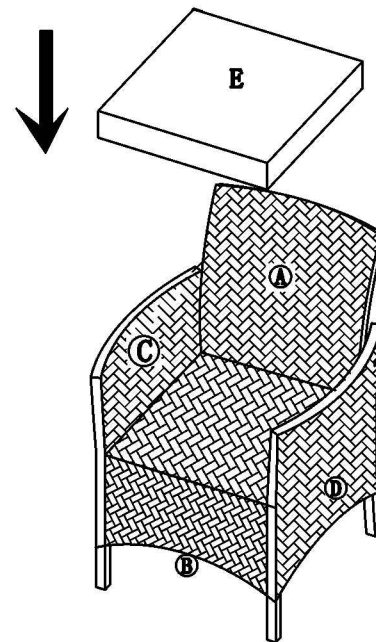
5










6

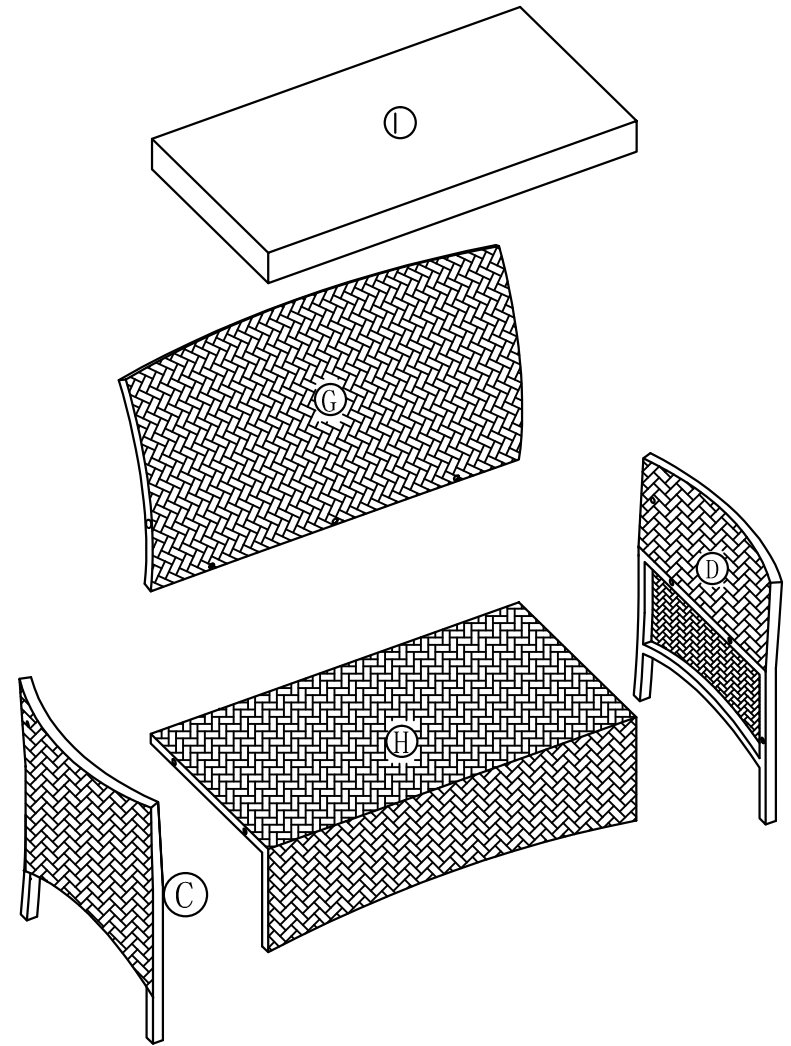
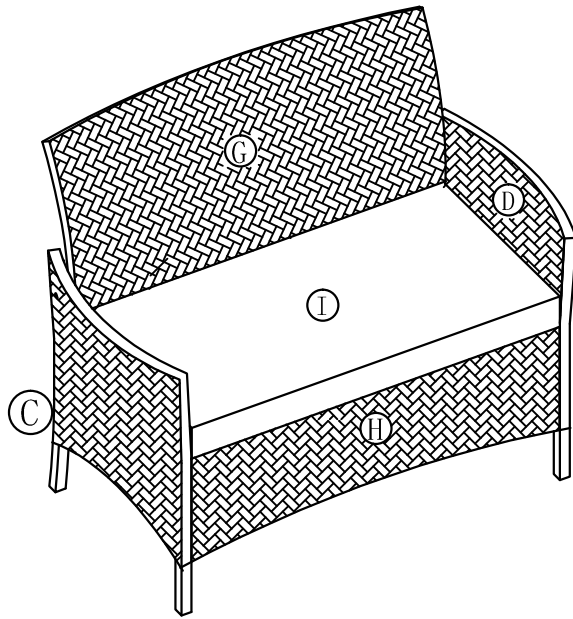


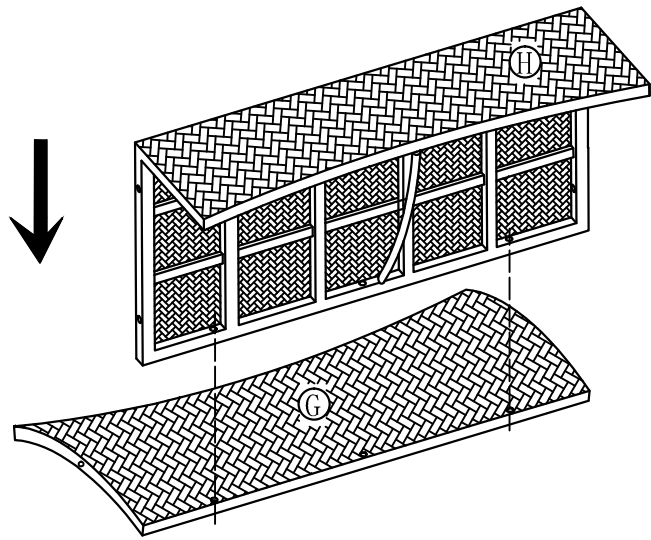
7



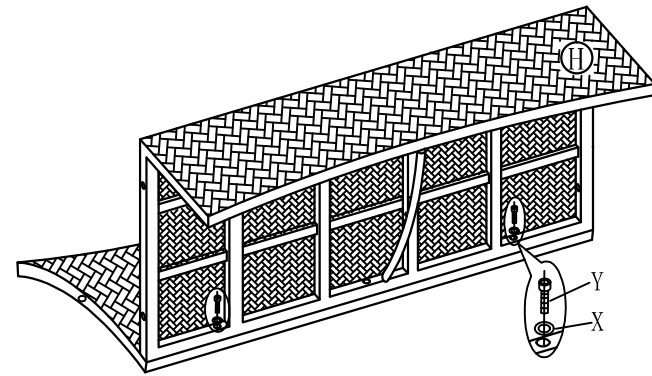
8

No.	PARTS		QTY.
C			1
D			1
G			1
H			1
I			1
X	M6		11
Y	M6x40		11

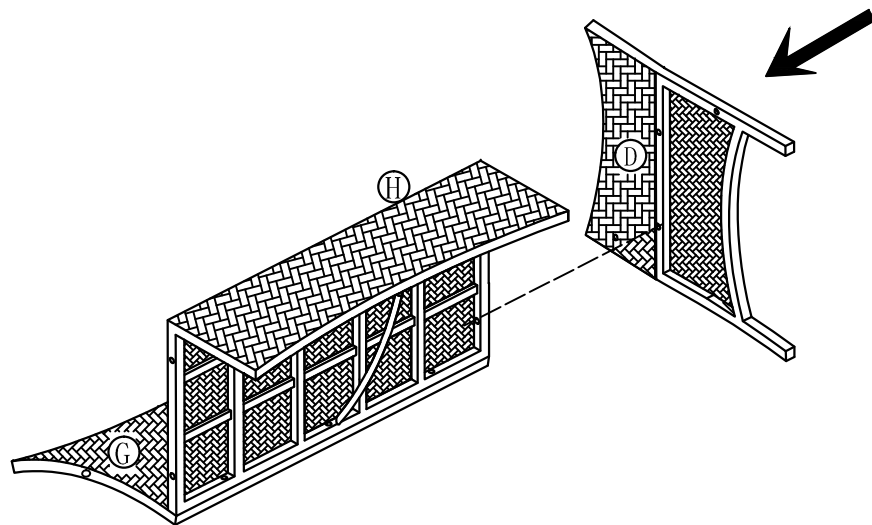




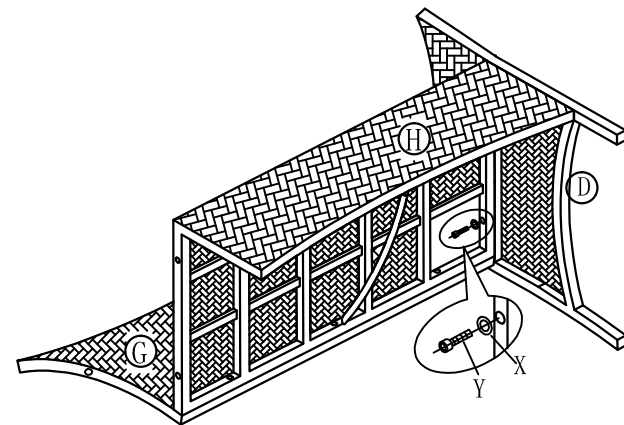
1



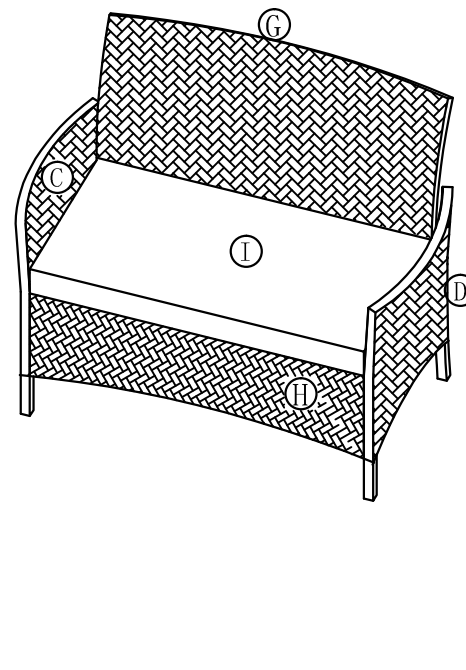
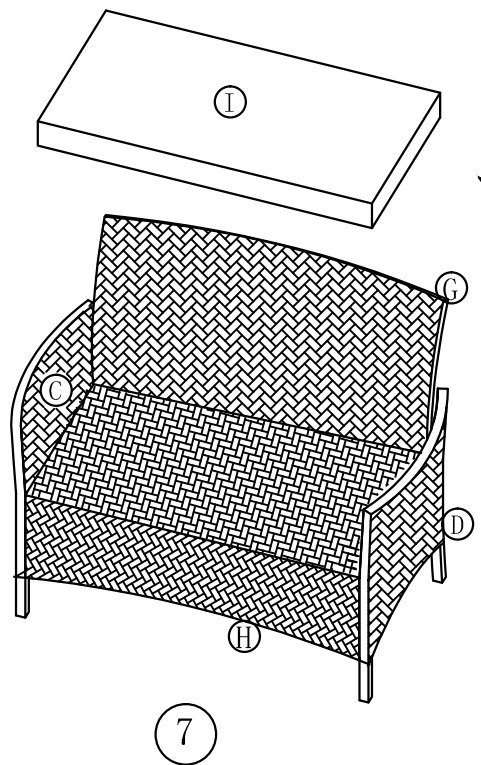
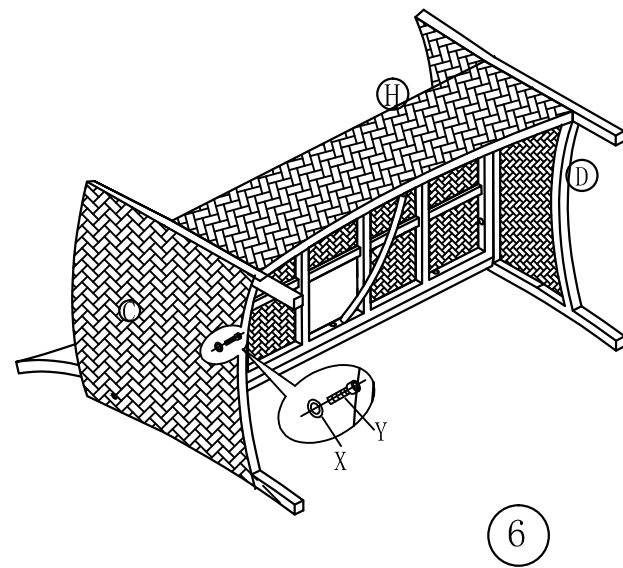
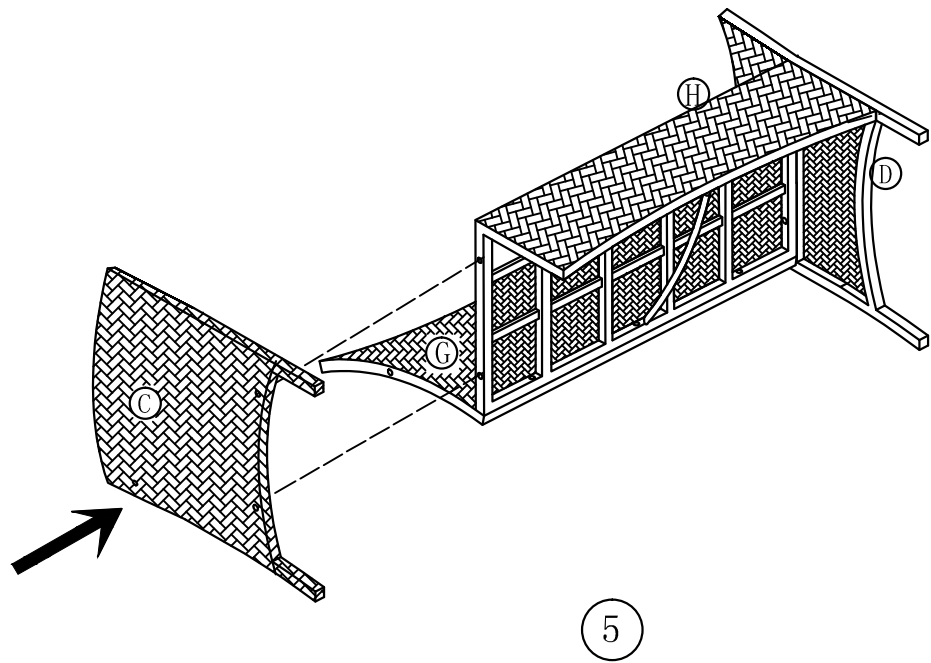
2

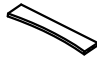






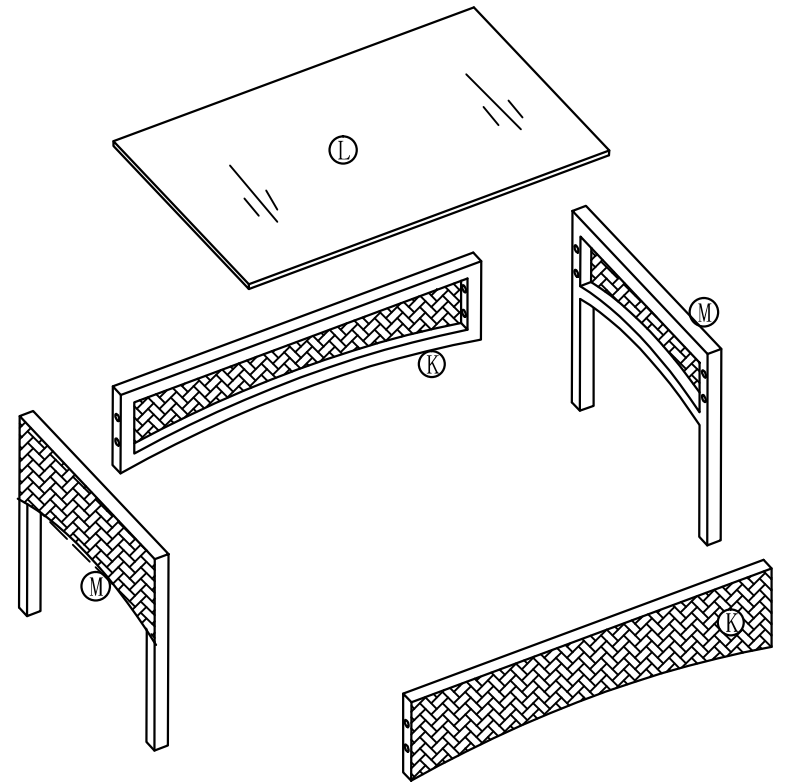
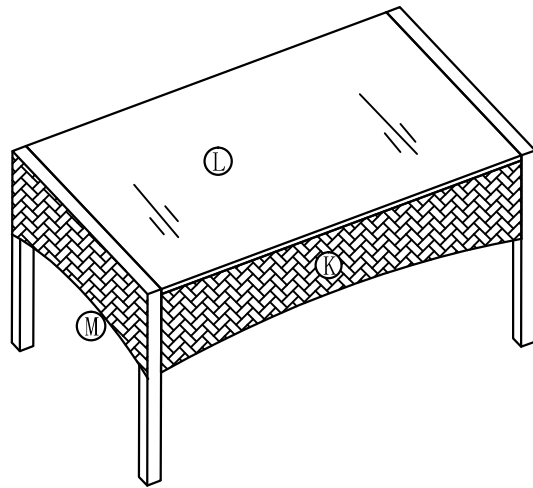
3

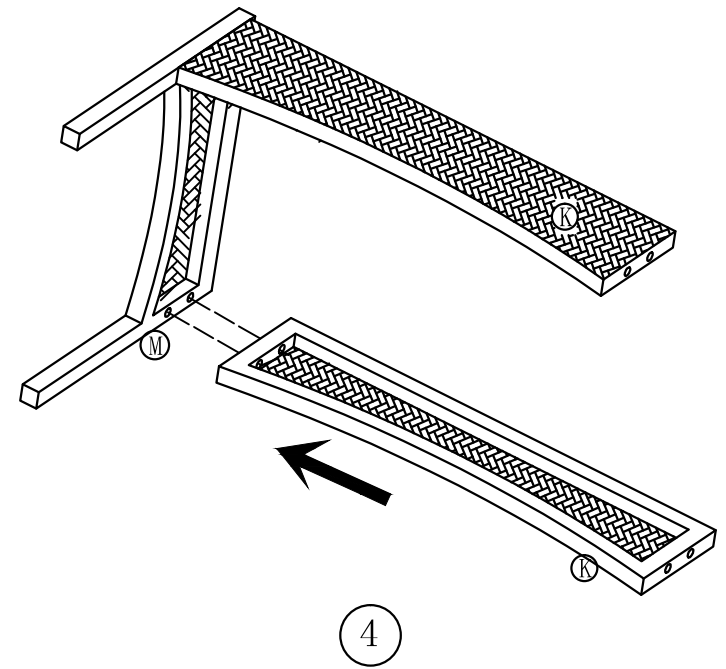
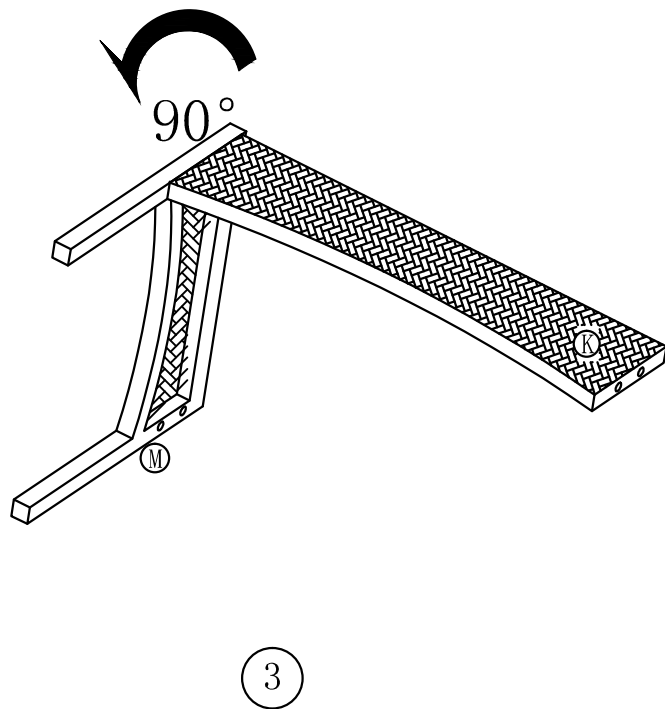
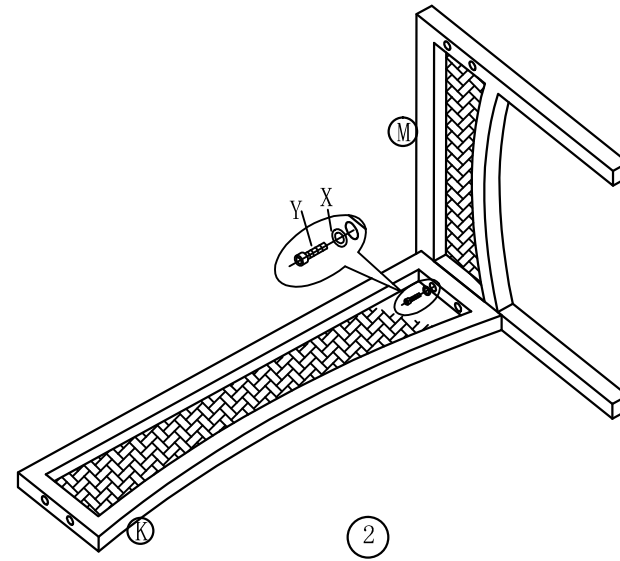
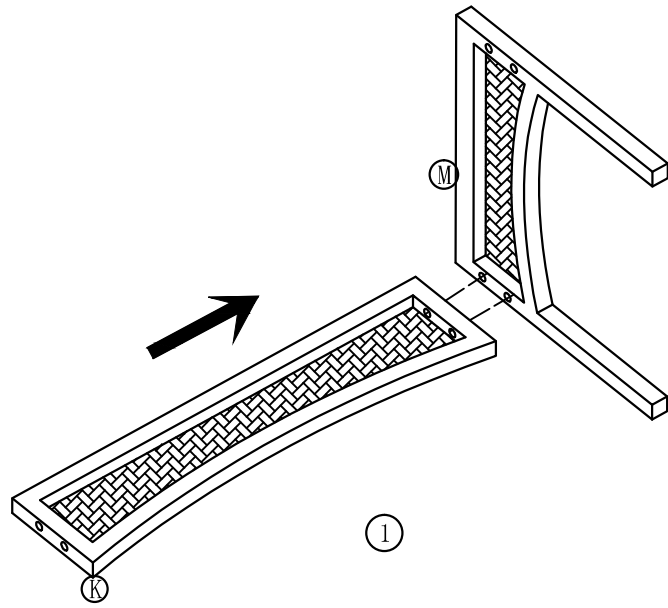


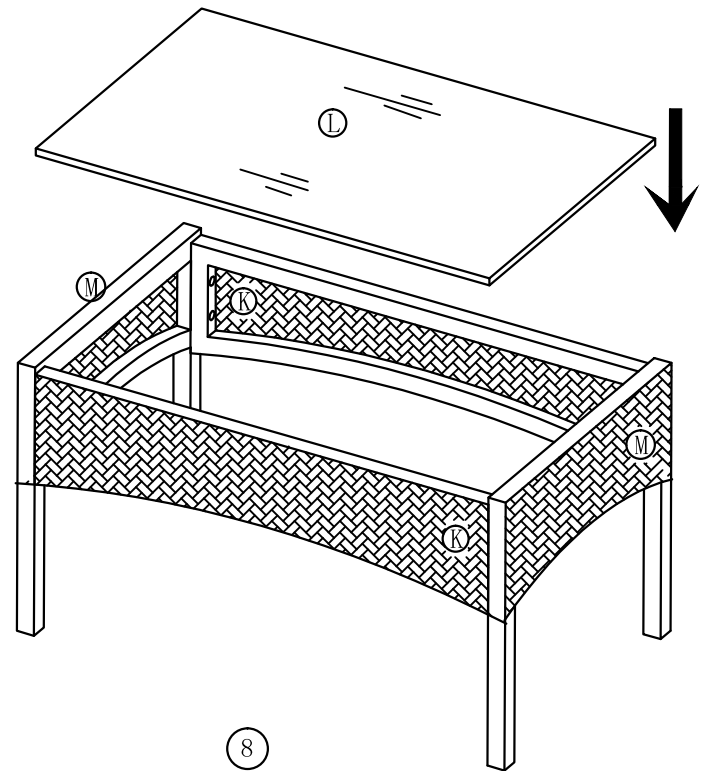
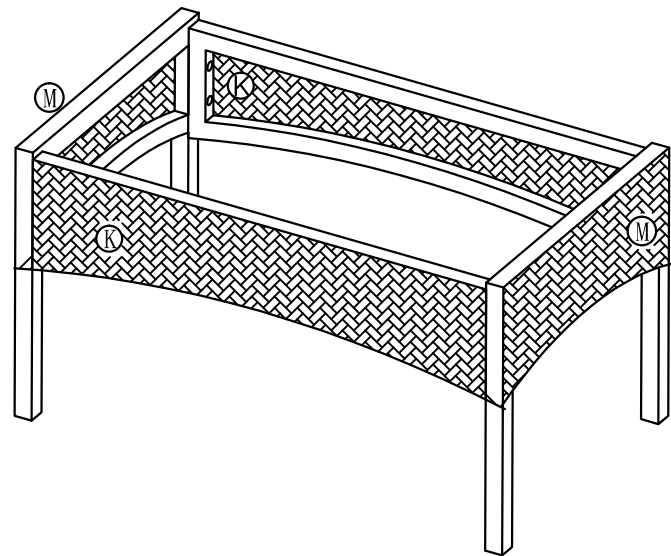
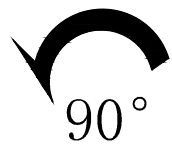
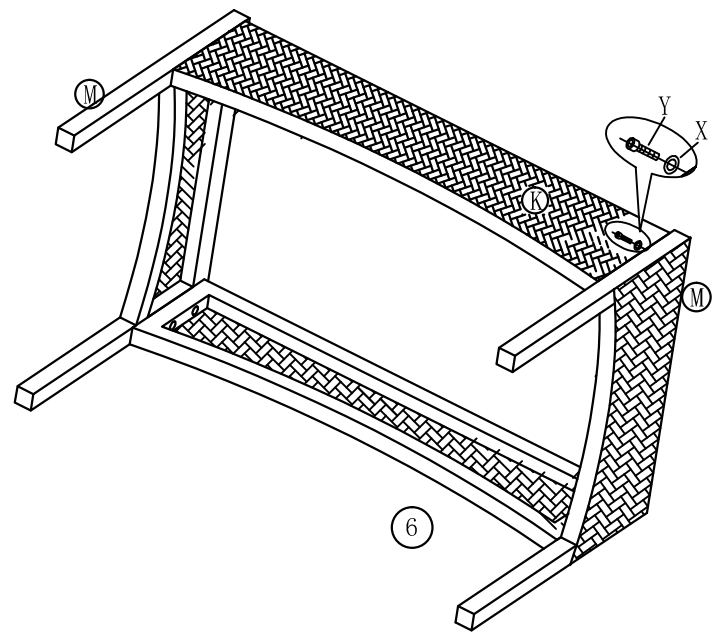
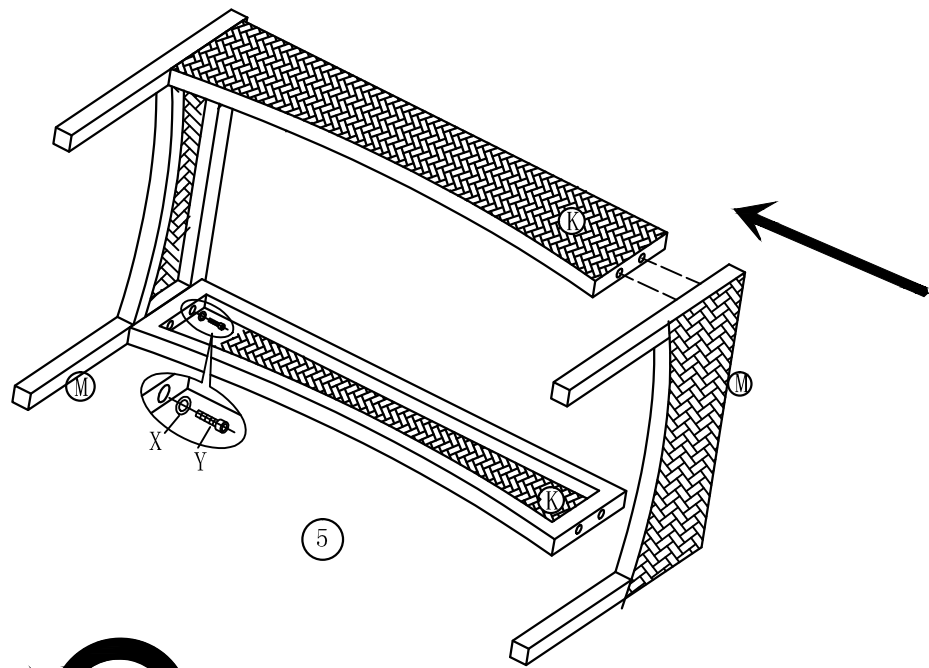
4

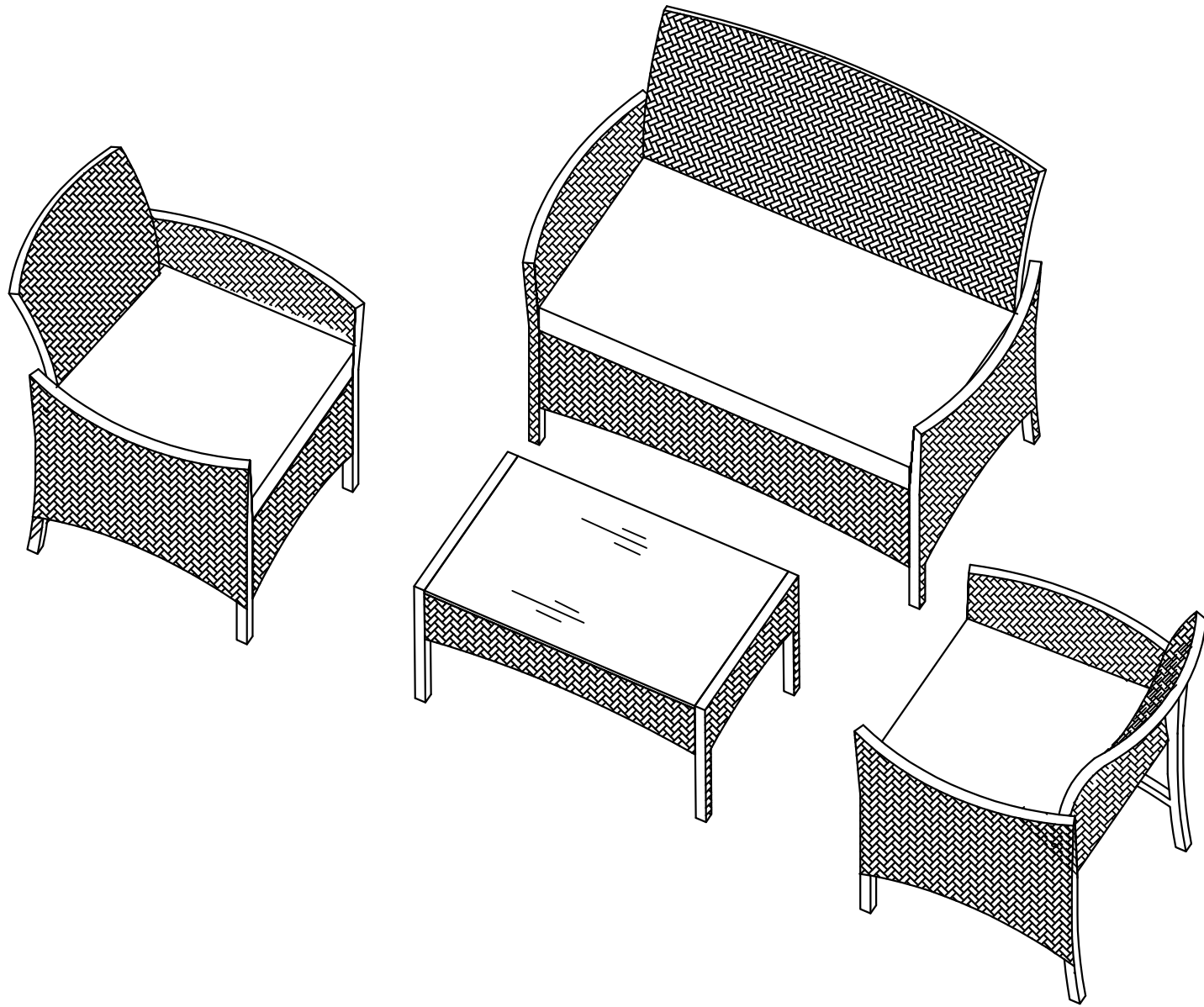


No.	PARTS	QTY.	
K		2	
L		1	
M		2	
X	M6		8
Y	M6x40		8









Final Assembly