

ASSEMBLY INSTRUCTIONS

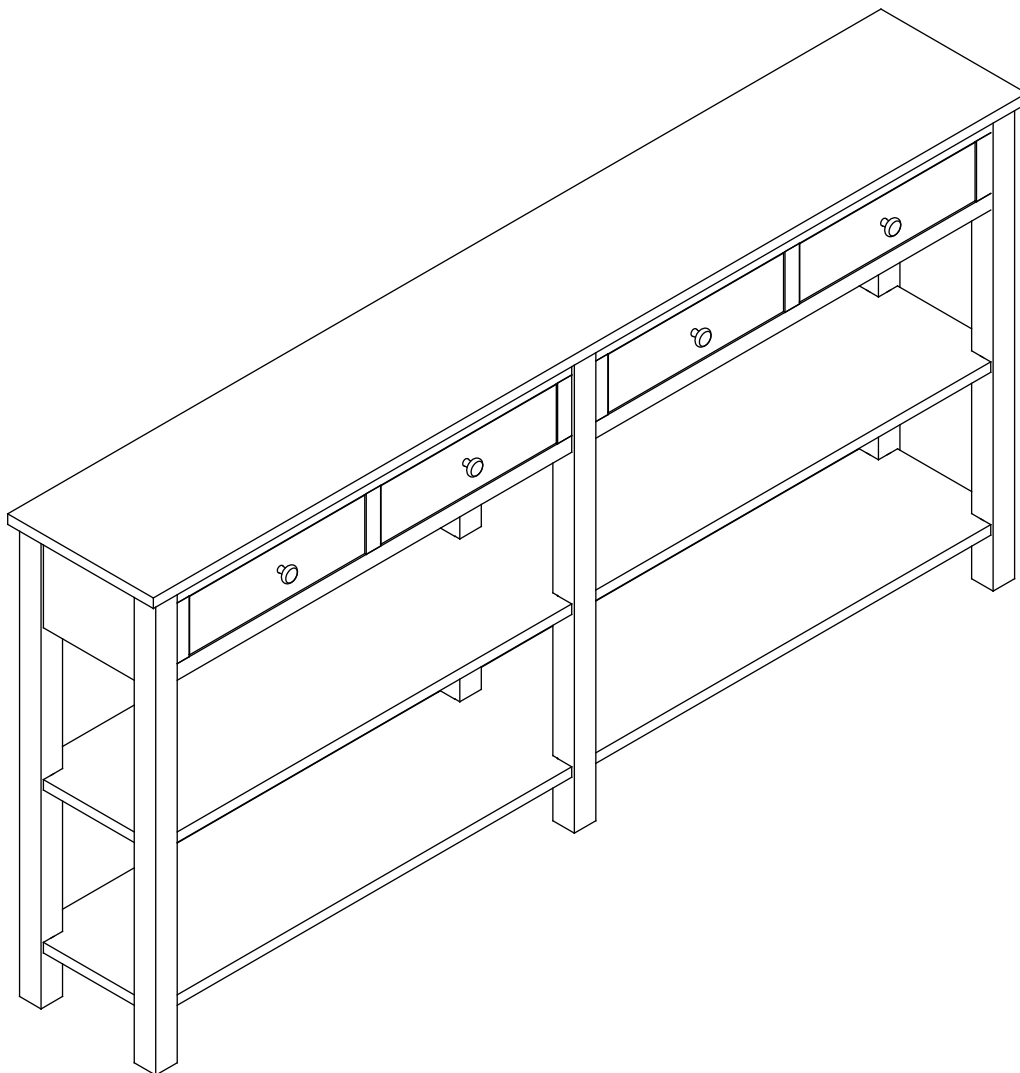
Made in China

Thank you for purchasing this product. We want to make sure it is complete and to your satisfaction. Please check all packing material carefully for small parts which may have come loose inside the carton during shipment. Hardware can be identified by bright red packaging. Separate, identify, and count all parts and hardware to make sure they match with the illustrations herein and are all present. If any part(s) are missing or defective please contact Customer Service. Contact information is given separately on parts request form. Thank you.

ATTENTION: SOME LETTERED PARTS LISTED ON THE INSTRUCTION SHEET MAY NOT BE IN PARTS BAG AS THEY MAY ALREADY BE ASSEMBLED. CAREFULLY CHECK PARTS AND PACKING MATERIALS PRIOR TO ORDERING REPLACEMENTS.

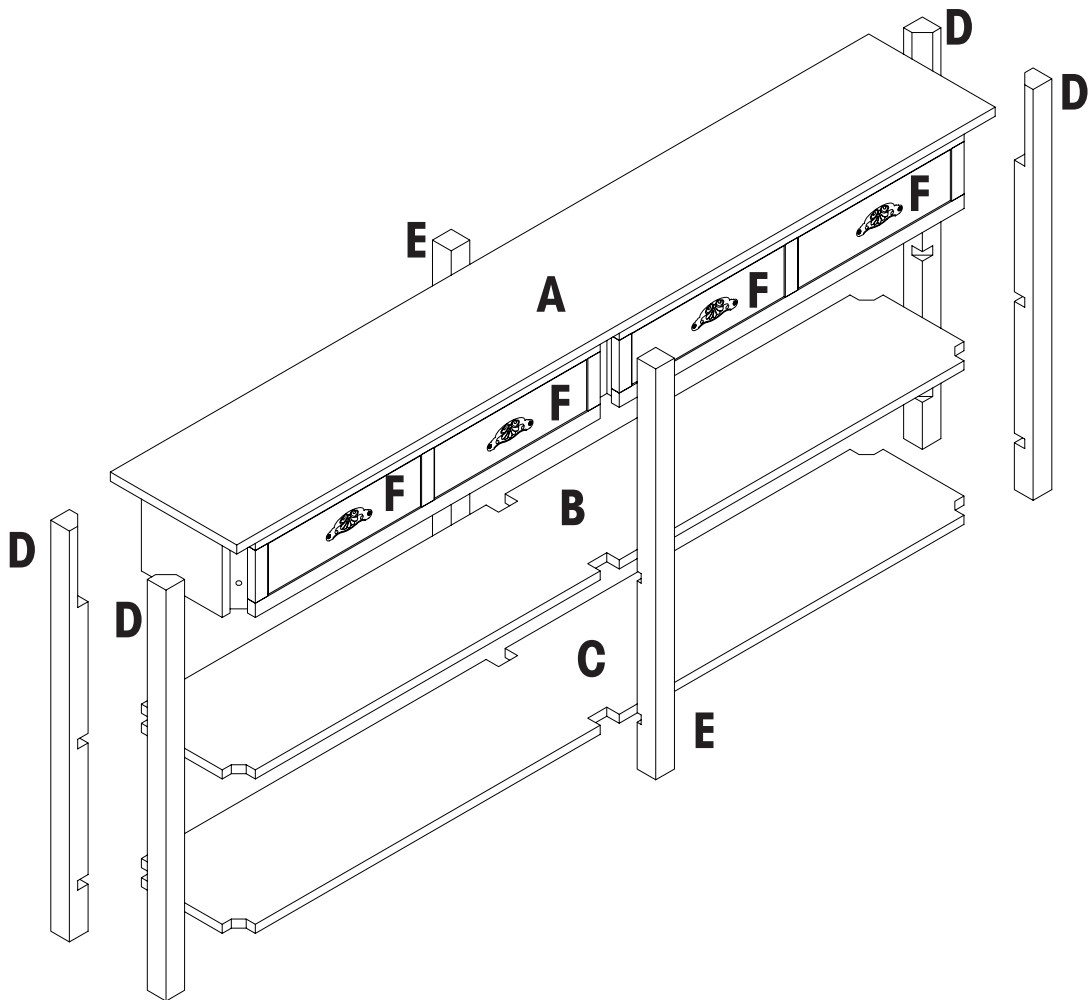
Tools Required for assembly: Allen Wrench (included)
Phillips Screwdriver (not included)

WARNING: DO NOT FULLY TIGHTEN SCREWS AND BOLTS UNTIL ALL PARTS HAVE BEEN ASSEMBLED PROPERLY.
TO PREVENT SCRATCHING THE TOP SURFACE, ASSEMBLE PRODUCT ON A SMOOTH SURFACE.
DO NOT OVER TIGHTEN SCREWS AND BOLTS.

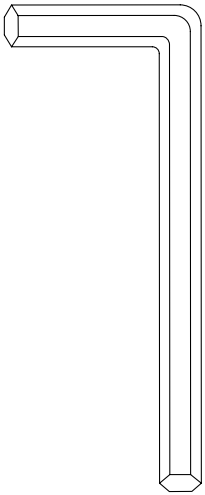


PARTS

- (A) TOP
- (B) MIDDLE PANEL
- (C) BOTTOM PANEL
- (D) LEGS(4)
- (E) MIDDLE LEGS(2)
- (F) DRAWERS (4)

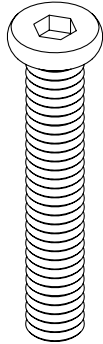


HARDWARE



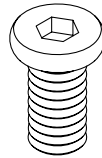
G

Φ 1/4"x2-3/8"
(1PC)



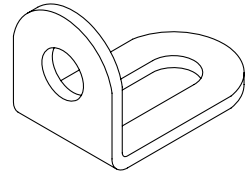
H

Φ 1/4"x1-3/4"
(12PCS)



I

Φ 1/4"x3/4"
(12PCS)



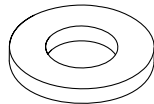
J

1-1/4"x7/8"
(6PCS)



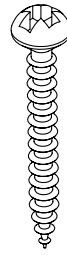
K

Φ 1/4"x1/16"
(24PCS)



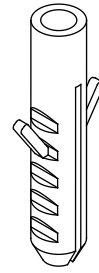
L

Φ 1/4"x1/16"
(24PCS)



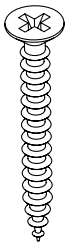
M

Φ 3/16"x1-1/2"
(6PCS)



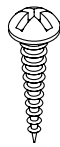
N

Φ 7/16"x1-1/4"
(1PC)



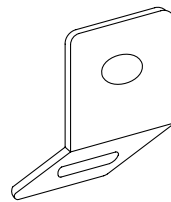
O

Φ 3/16"x1-1/2"
(1PC)



P

Φ 1/8"x7/8"
(1PC)



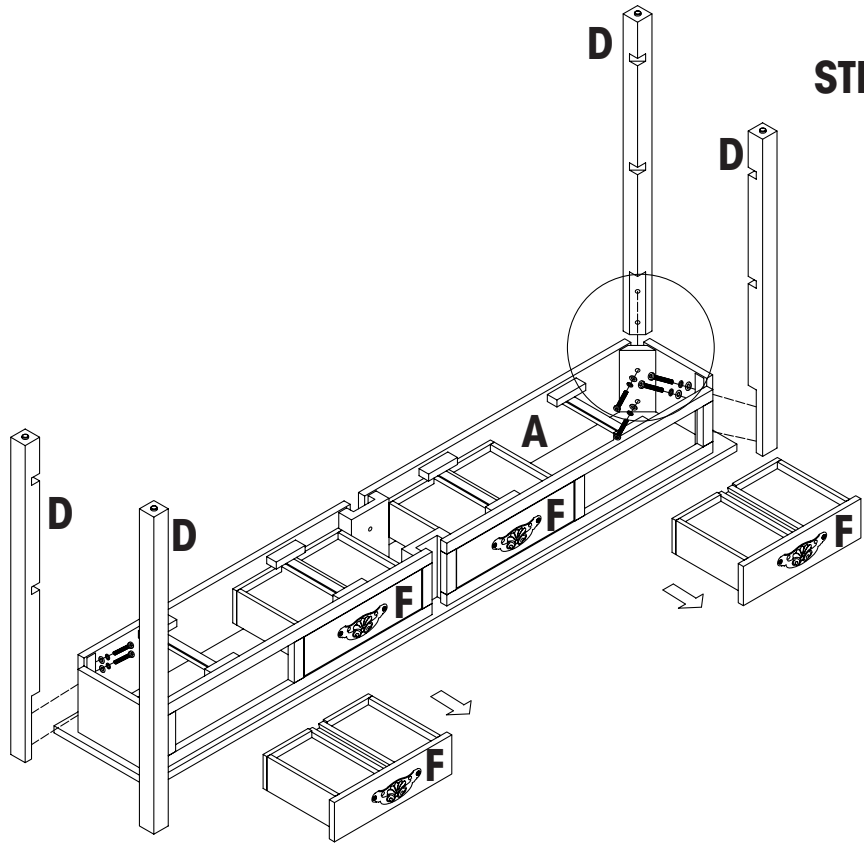
Q

1-1/8"x1/2"
(2PCS)

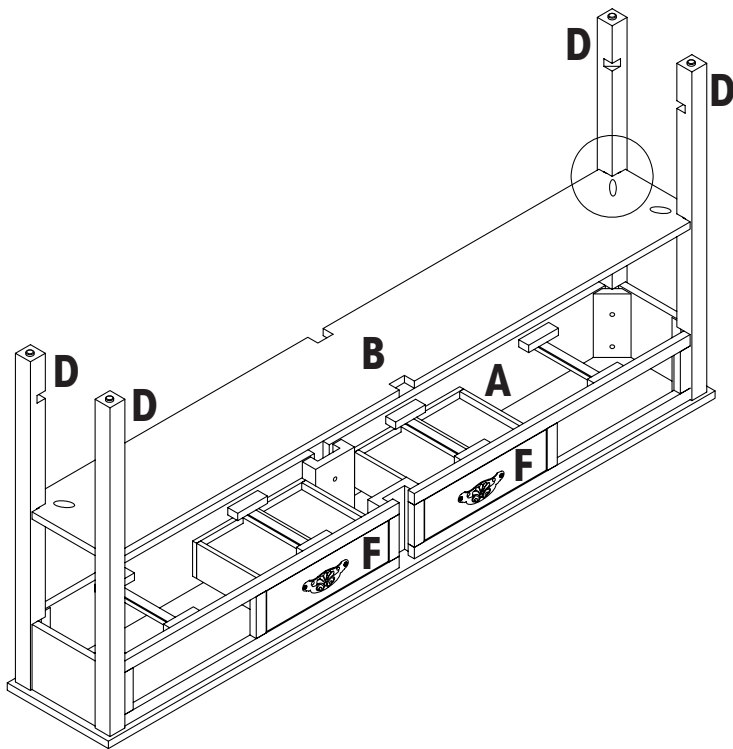
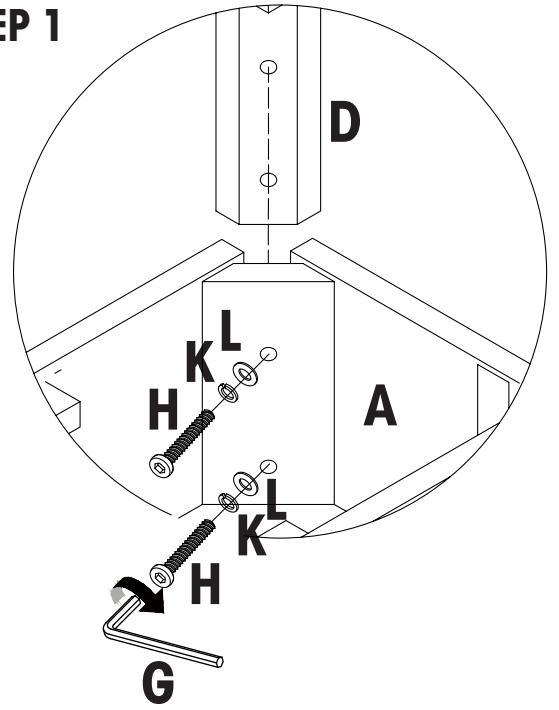


R

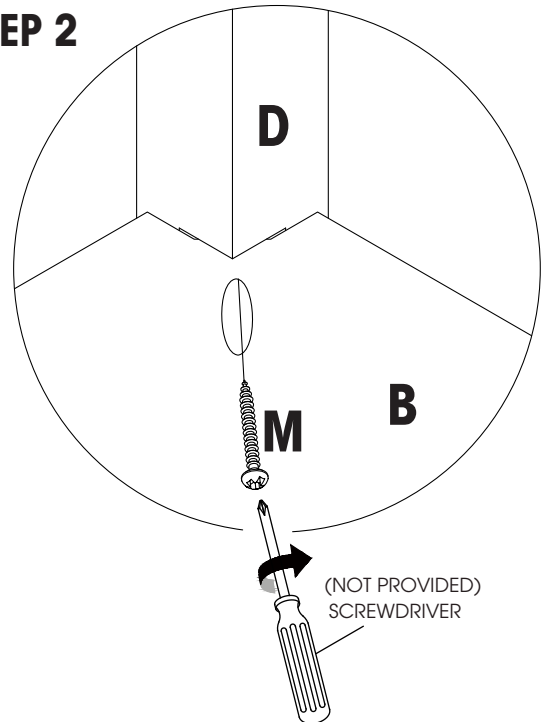
10"x7/16"
(1PC)

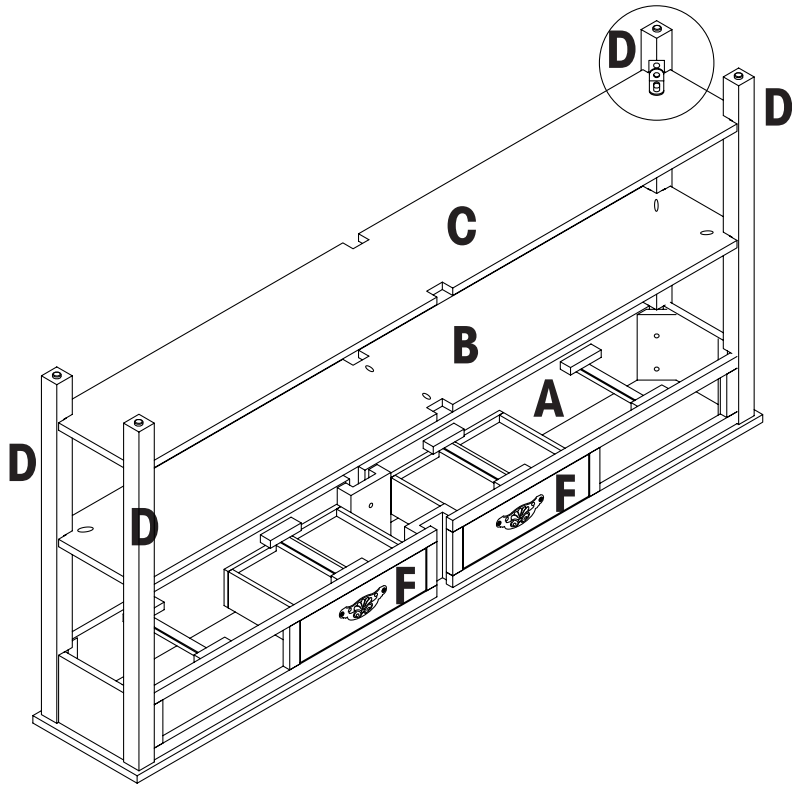


STEP 1

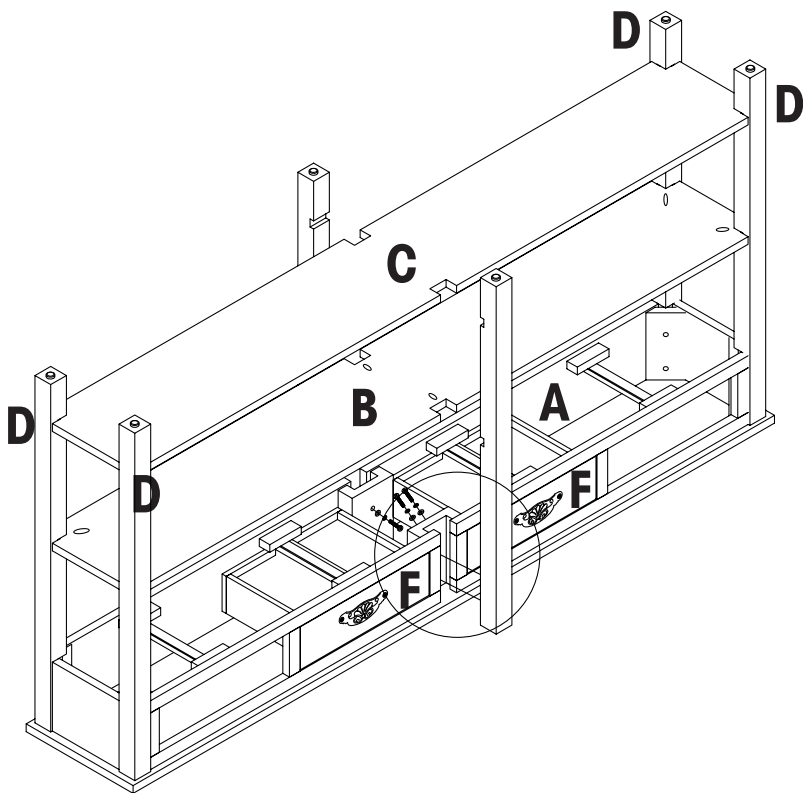
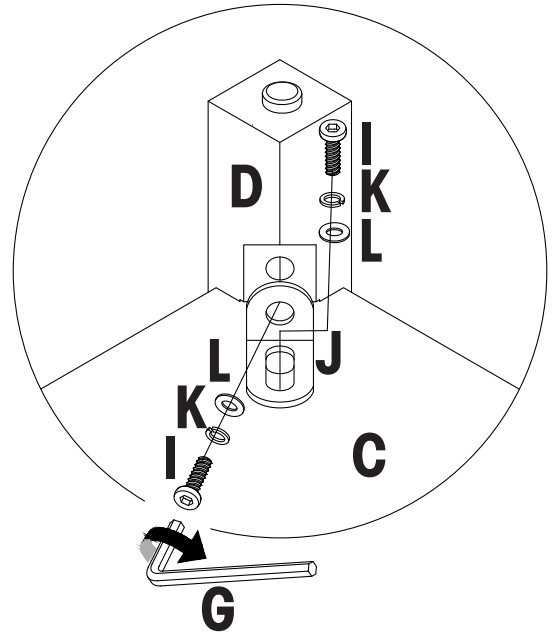


STEP 2

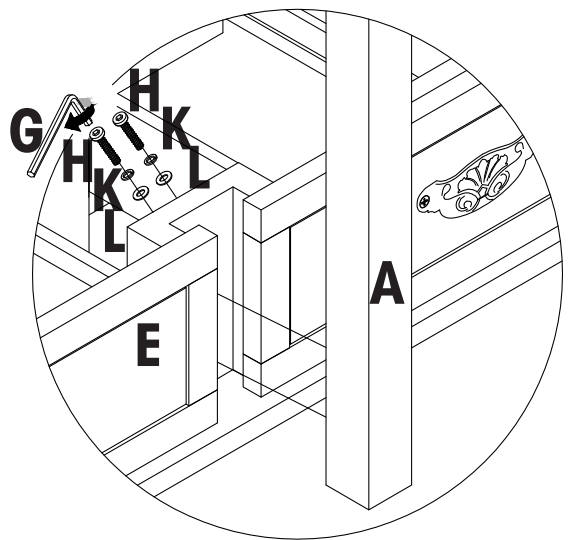




STEP 3

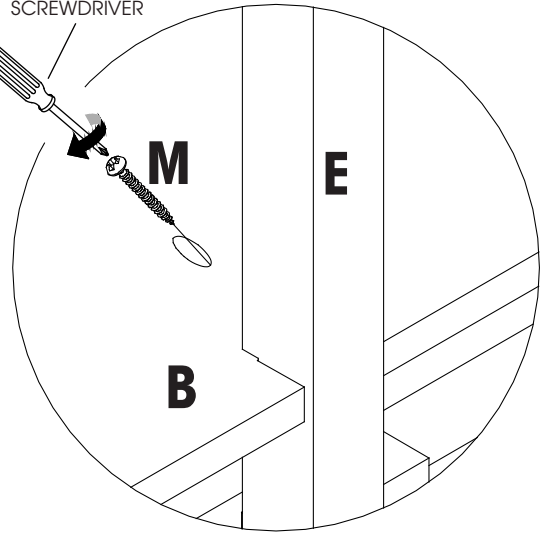
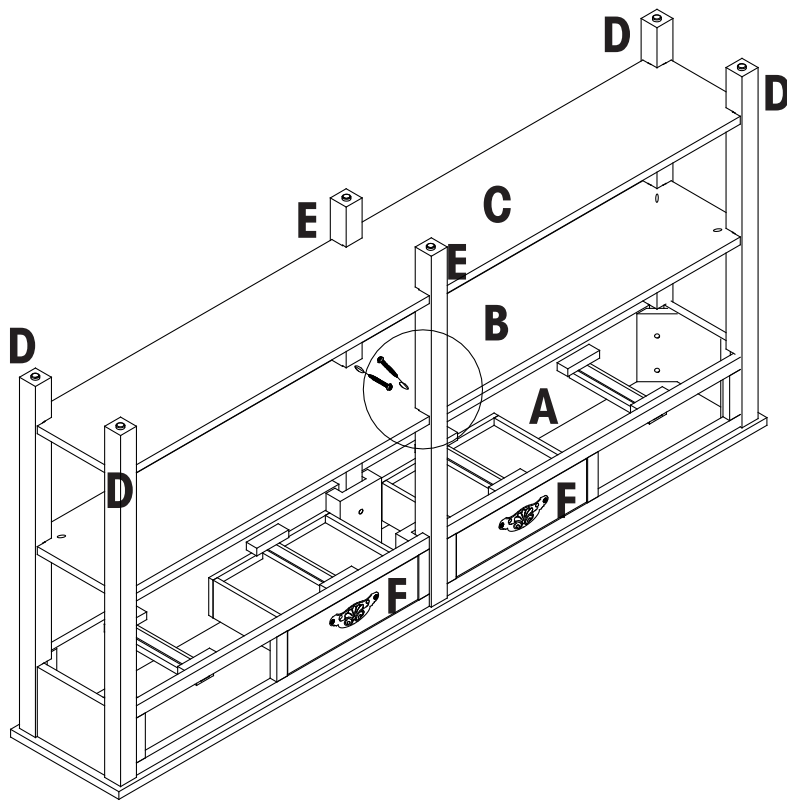


STEP 4

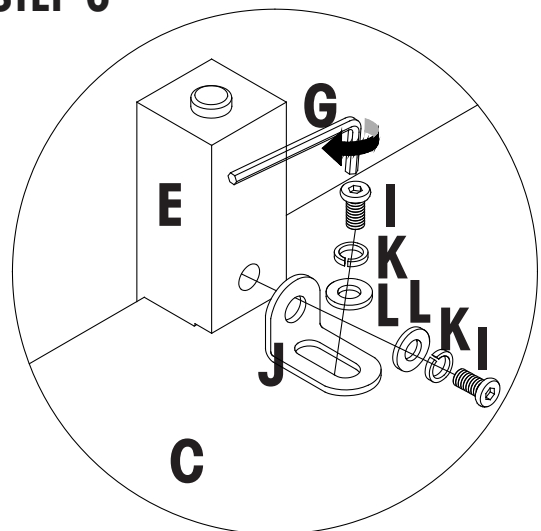
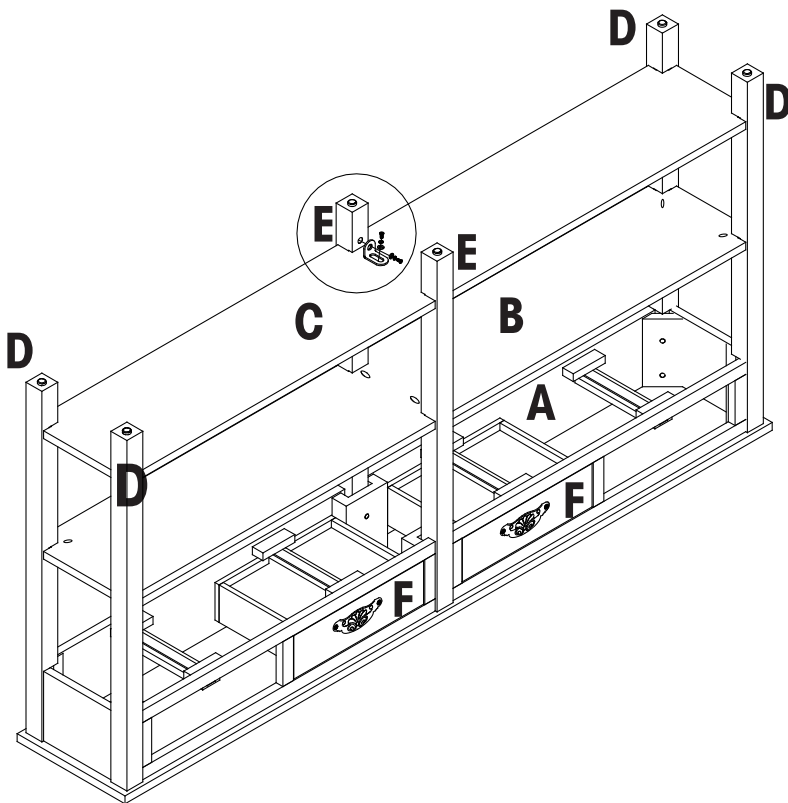


STEP 5

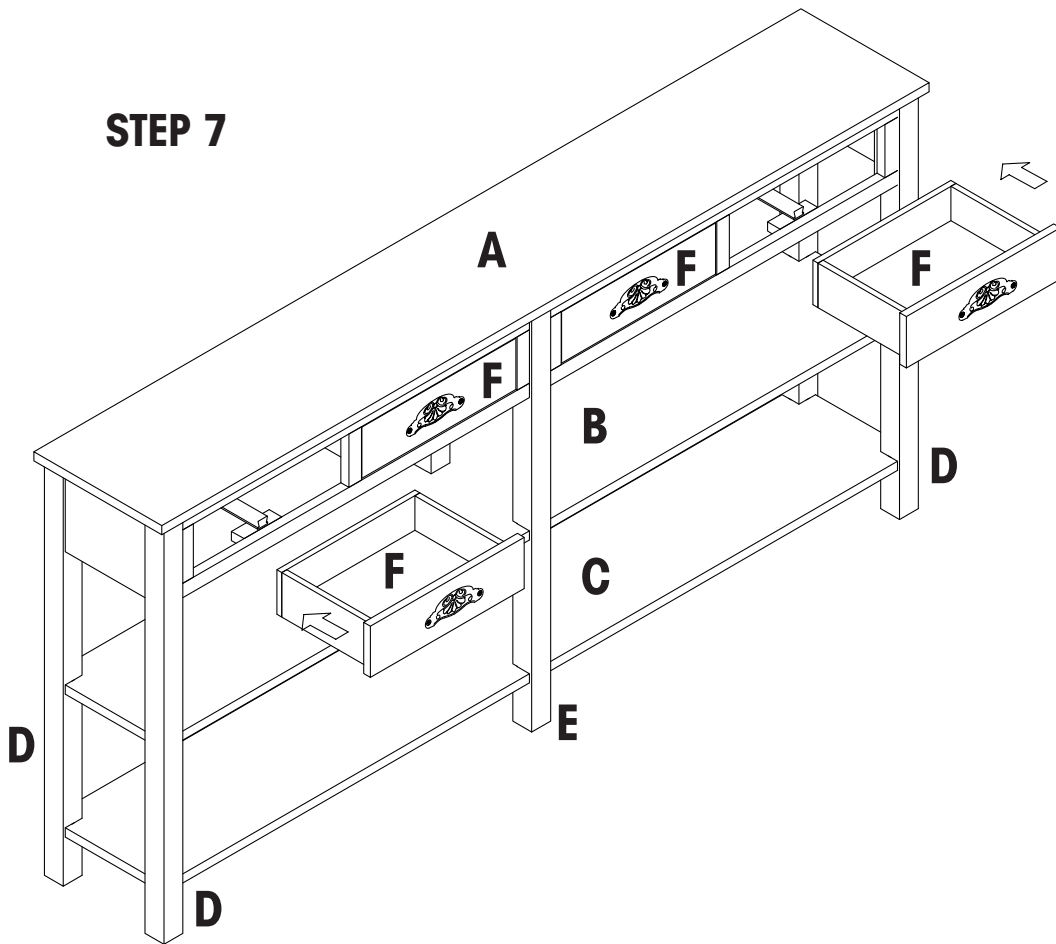
(NOT PROVIDED)
SCREWDRIVER



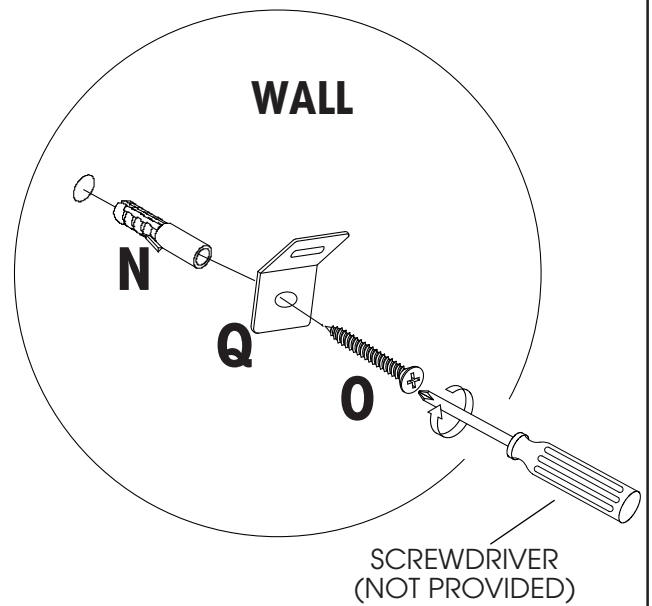
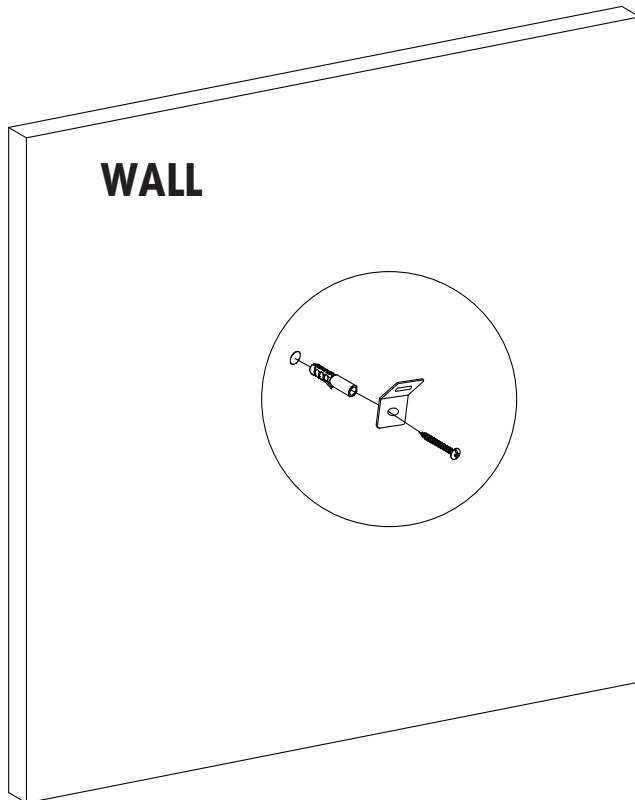
STEP 6



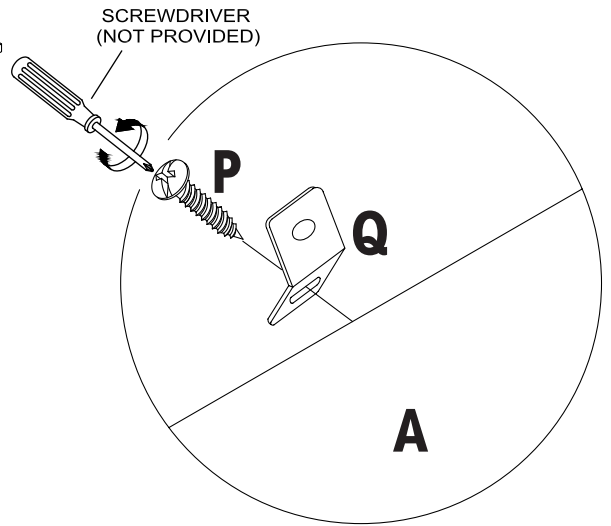
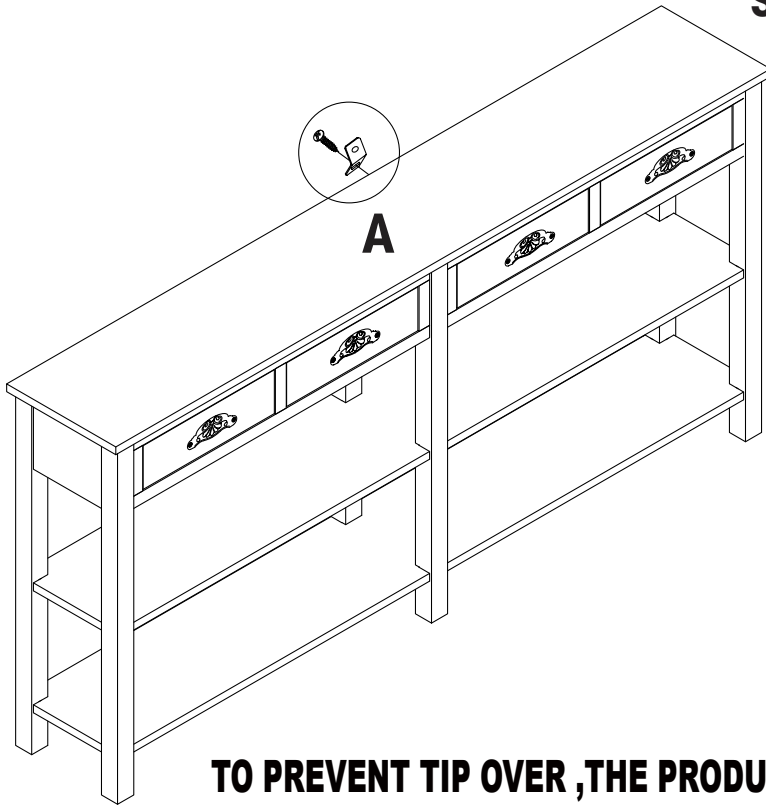
STEP 7



STEP 8



STEP 9



**TO PREVENT TIP OVER ,THE PRODUCT
MUST BE ATTACHED TO WALL.**

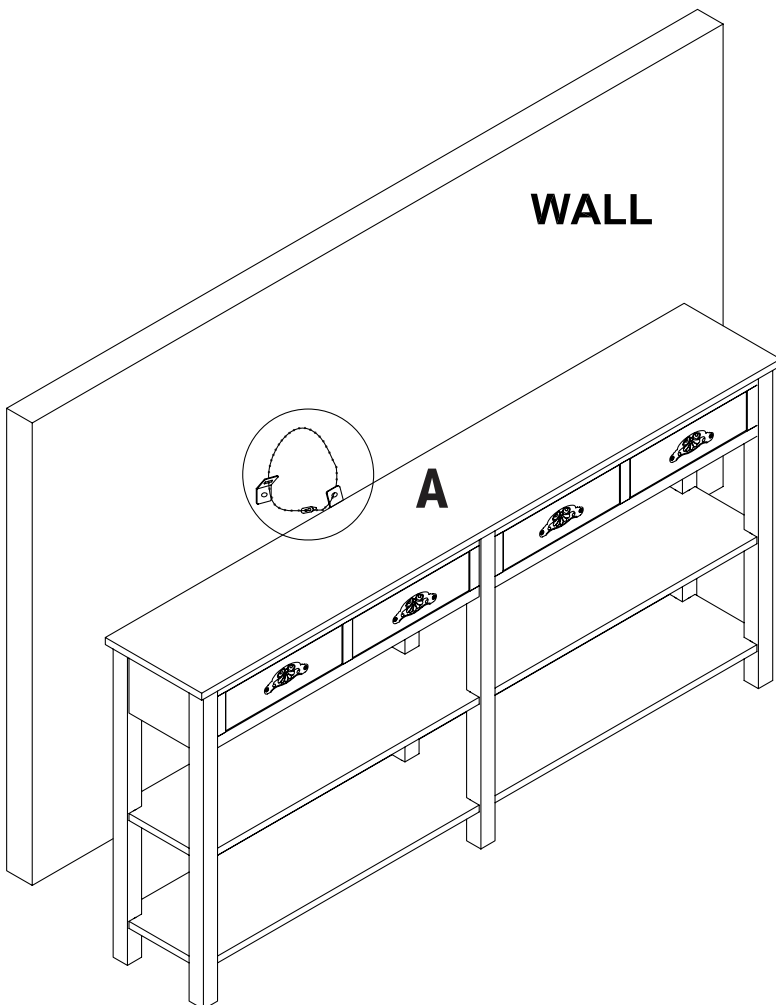
⚠ WARNING

Serious or fatal crushing injuries can occur from furniture tip-over. To help prevent tip-over:

- Place heaviest items in the lowest drawers.
- Unless specifically designed to accommodate, do not set TV's or other heavy objects on the top of this product.
- Never allow children to climb or hang on drawers, doors, or shelves.
- Never open more than one drawer at a time. (OR)
- Do not defeat or remove the drawer interlock system.

Use of tip-over restraints may only reduce, but not eliminate, the risk of tip-over.

This is a permanent label. Do not attempt to remove



STEP 10

