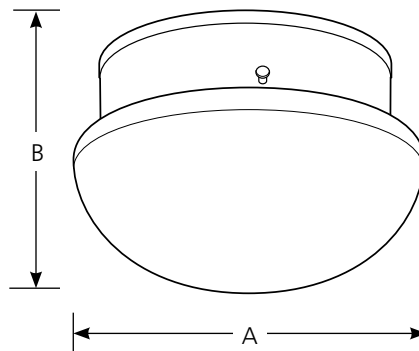


Finish				Dimensions (Inches)		
Brushed Nickel	Polished Brass	Antique Bronze	White	Lamping	A	B
				1 (m) 60w	7-1/2	4-7/8



Specifications:

General

- White glass shade
- (3) installed fitter screws to retain glass
- Plated Brushed Nickel, polished brass and antique bronze finishes
- Painted White finish
- Steel construction

Mounting

- Ceiling mount
- Ceiling pan covers a standard 4" recessed hexagonal outlet box
- Mounting strap for outlet box included
- Keyhole slots for easy mounting

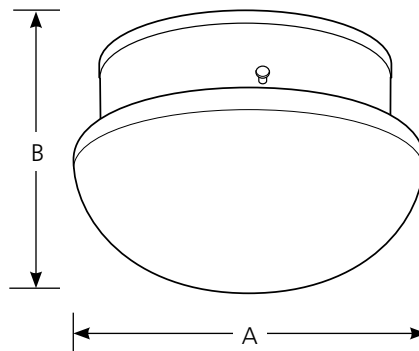
Electrical

- Pre-wired
- Requires 90 degree supply wire connections
- Medium base porcelain socket
- 6" of wire supplied

Labeling

- UL-CUL Damp location listed

Finish	Lamping	Dimensions (Inches)	
		A	B
Brushed Nickel	1 GU-24 13w (included)	7-1/4	4-5/8



Specifications:



General

- White glass shade
- (3) installed fitter screws to retain glass
- Plated Brushed Nickel finish
- Steel construction
- Energy Star® qualified

Mounting

- Ceiling ctc mount
- Ceiling pan covers a standard 4" hexagonal recessed outlet box
- Mounting strap for outlet box included
- Keyhole slots for easy mounting

Electrical

- GU24 base plastic socket
- 6" of wire supplied
- Pre-wired
- Requires 90 degree supply wire connections

Labeling

- cCSAus Damp location listed