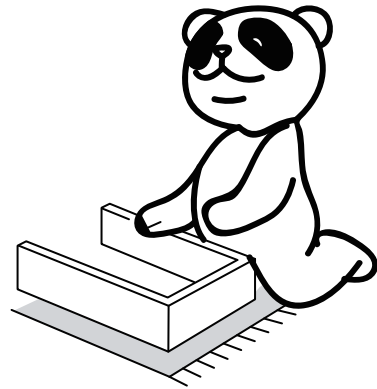
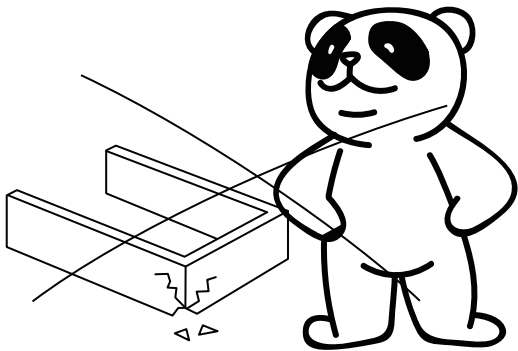
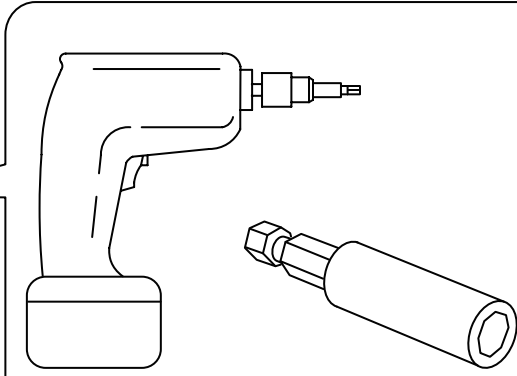


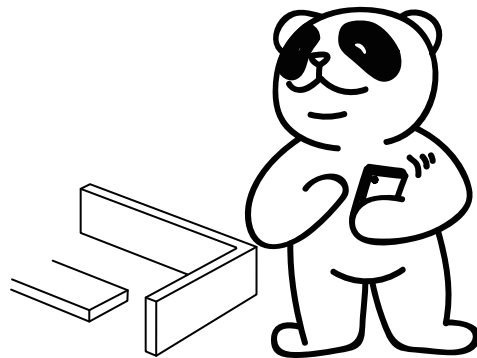
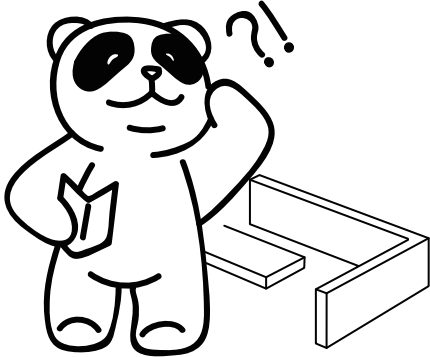
AJ-DJ505215



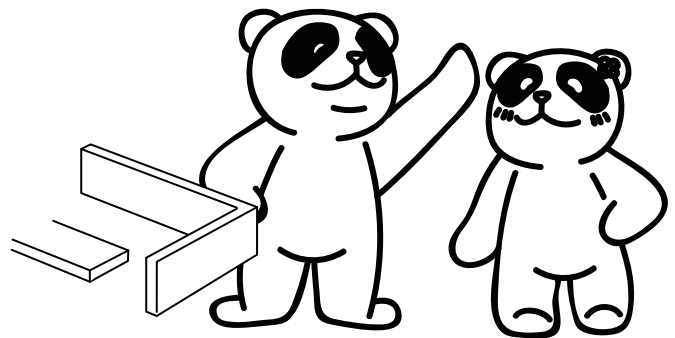
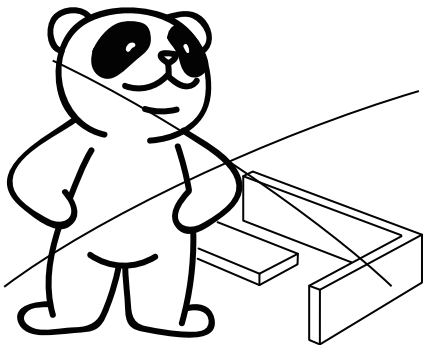
Version: 1.1



Violent installation is prohibited



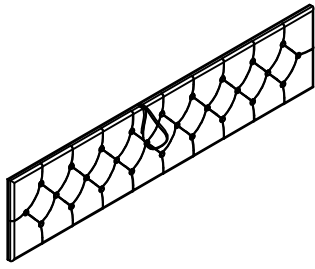
Please call if you need help



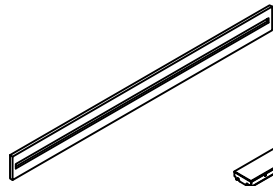
Multi-person cooperation is recommended

# Assembly Instruction

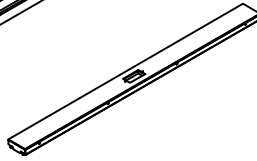
## Part list (A)



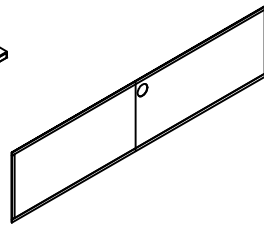
1 x1



2 x1



3 x1



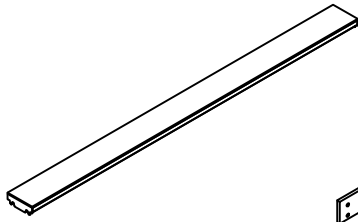
4 x1



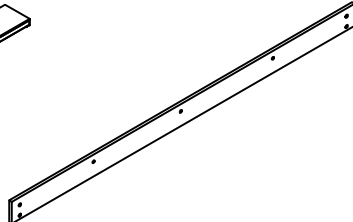
5 x1



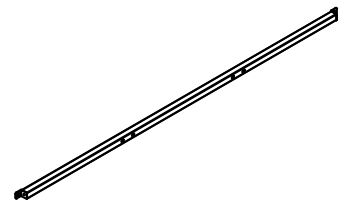
6 x1



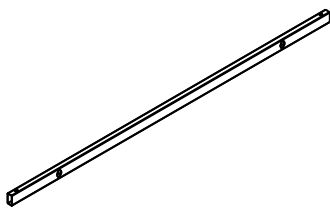
7 x1



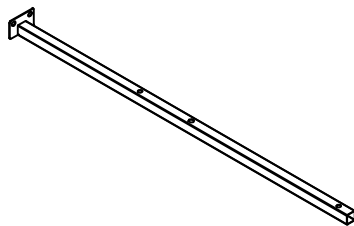
8 x1



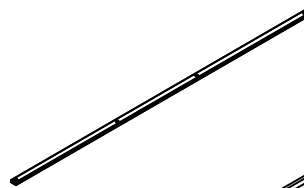
11 x1



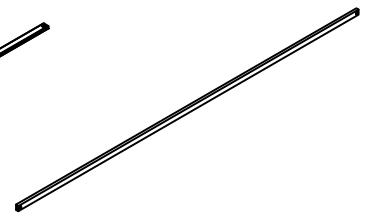
17 x1



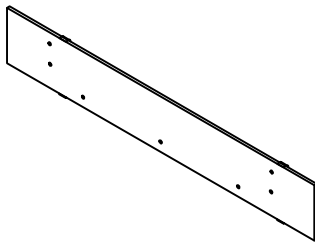
18 x2



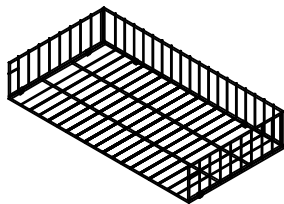
20 x2



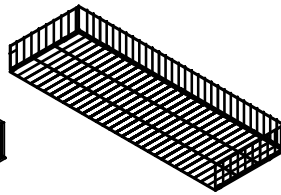
21 x11



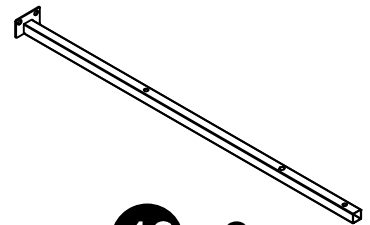
31 x1



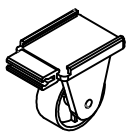
32 x4



33 x1



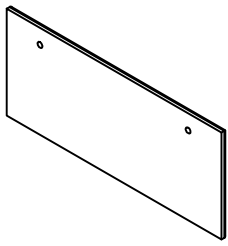
40 x2



39 x16

# Assembly Instruction

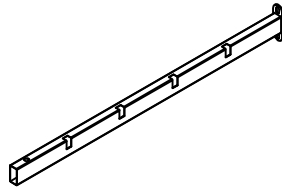
## Part list (B)



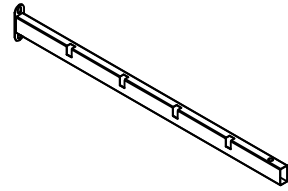
**9** x2



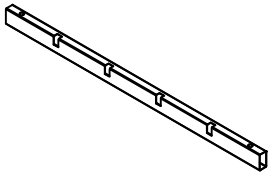
**10** x2



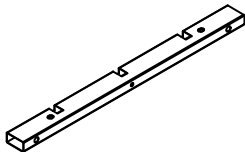
**12** x1



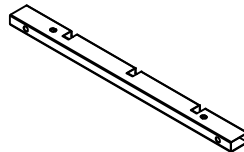
**13** x1



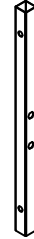
**14** x2



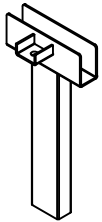
**15** x1



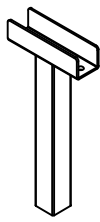
**16** x1



**19** x2



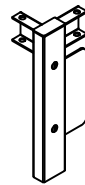
**22** x4



**23** x2



**24** x4



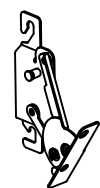
**25** x1



**26** x1



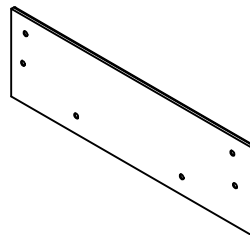
**27** x1



**28** x1



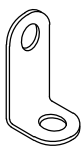
**29** x2



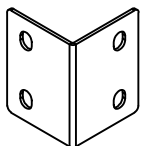
**30** x4



**34** x1



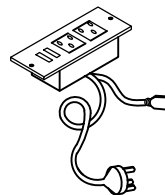
**35** x2



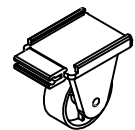
**36** x2



**37** x3



**38** x1



**39** x5

# Assembly Instruction

## Part list (B)



A

M8\*15

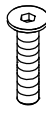
x43+2



B

M8\*20

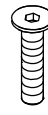
x50+4



C

M8\*30

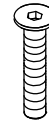
x8+2



D

M8\*35

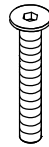
x8+2



E

M8\*40

x4+2



F

M8\*55

x12+2



G

M6\*35

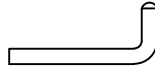
x8+2



H

M3\*12

x2+1



J

M8

x1



K

M6

x1



L

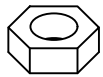
x1



M

M8

x1



N

M8

x4+2



O

x21



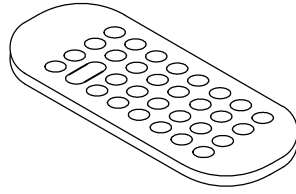
P

x10

# Assembly Instruction

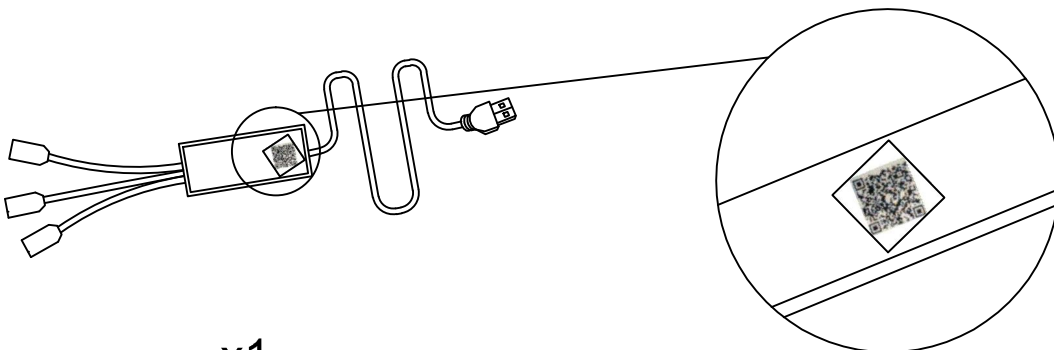
## Part list (B)

### LED light strip electronic accessories list



x1

**Remote control**



x1

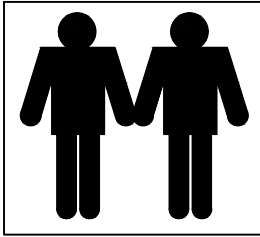
**Power cord**

There is a two-dimensional code at the position of the power line. Scanning can download the APP for the control light

# Assembly Instruction

**Note:**

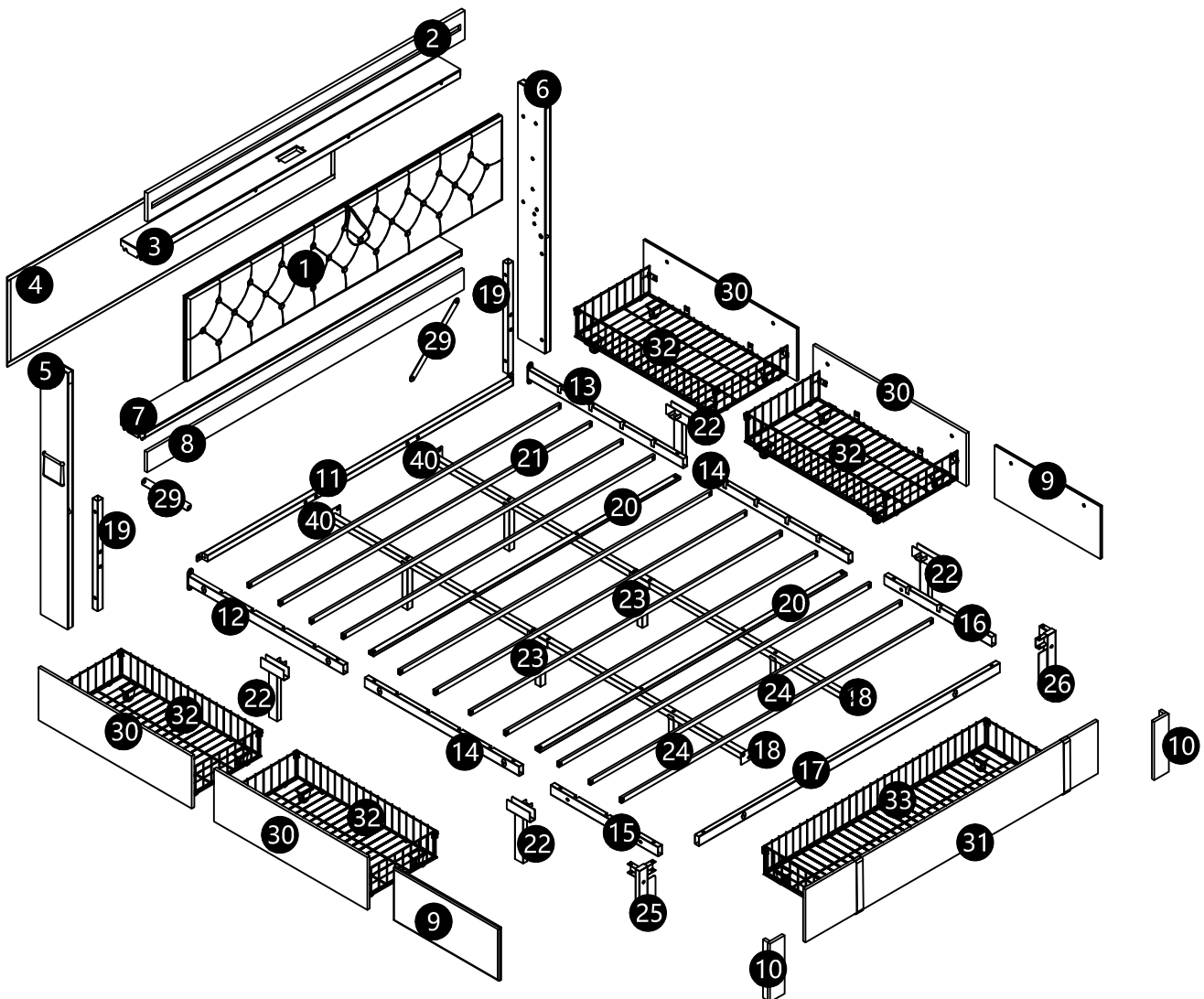
1. Should be assembled on flat ground to keep balance.
2. Before completing the installation, do not tighten the screws.



**It needs at least two people to install !!**



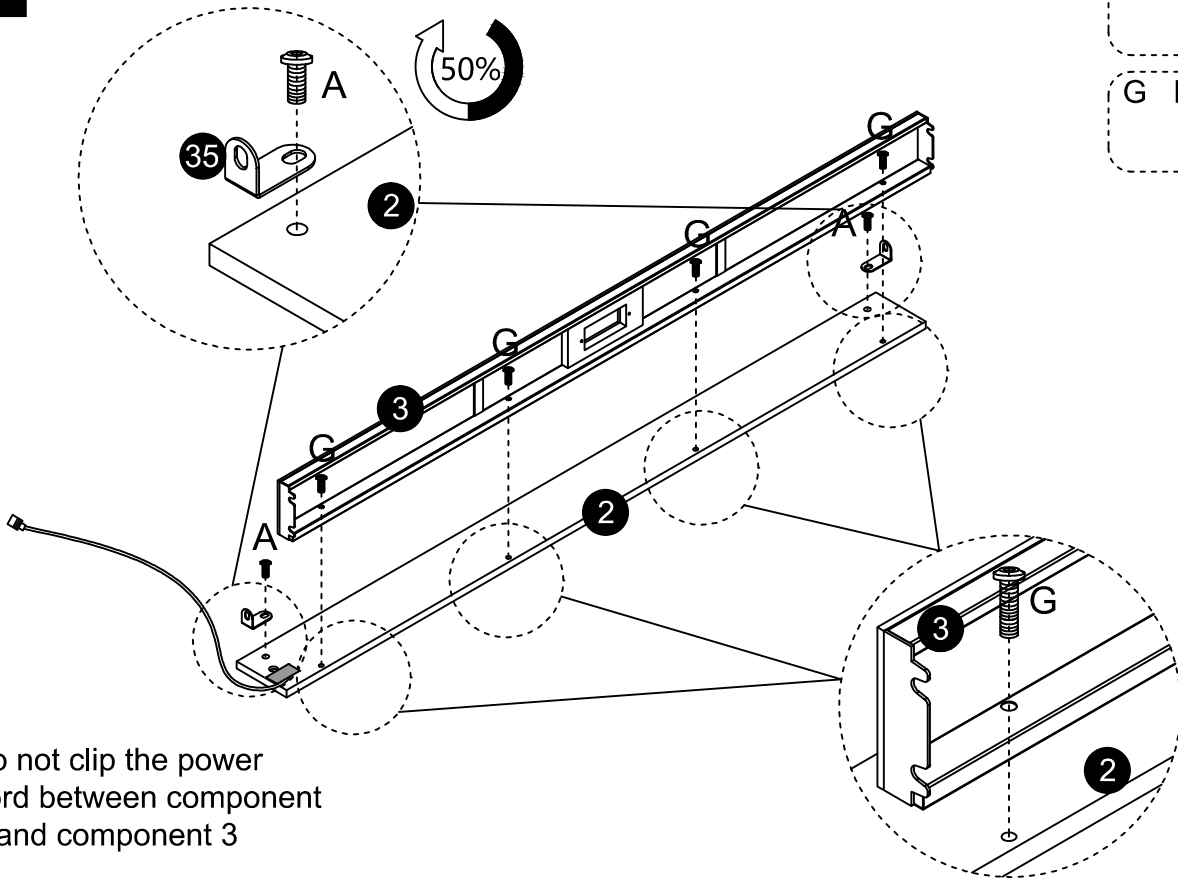
**Before starting the assembly, you must read the whole manual and follow the instructions**



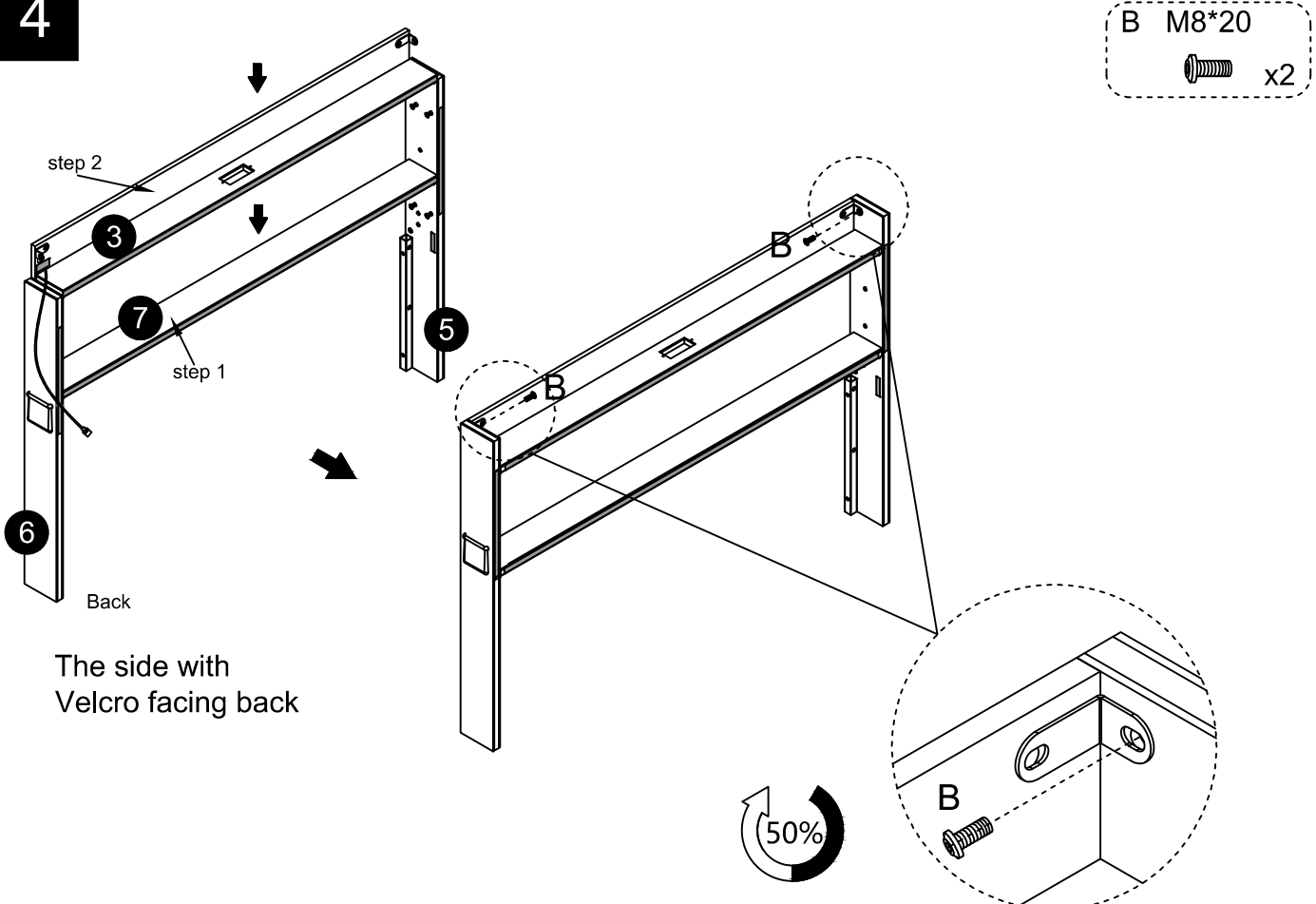


# Assembly Instruction

3



4

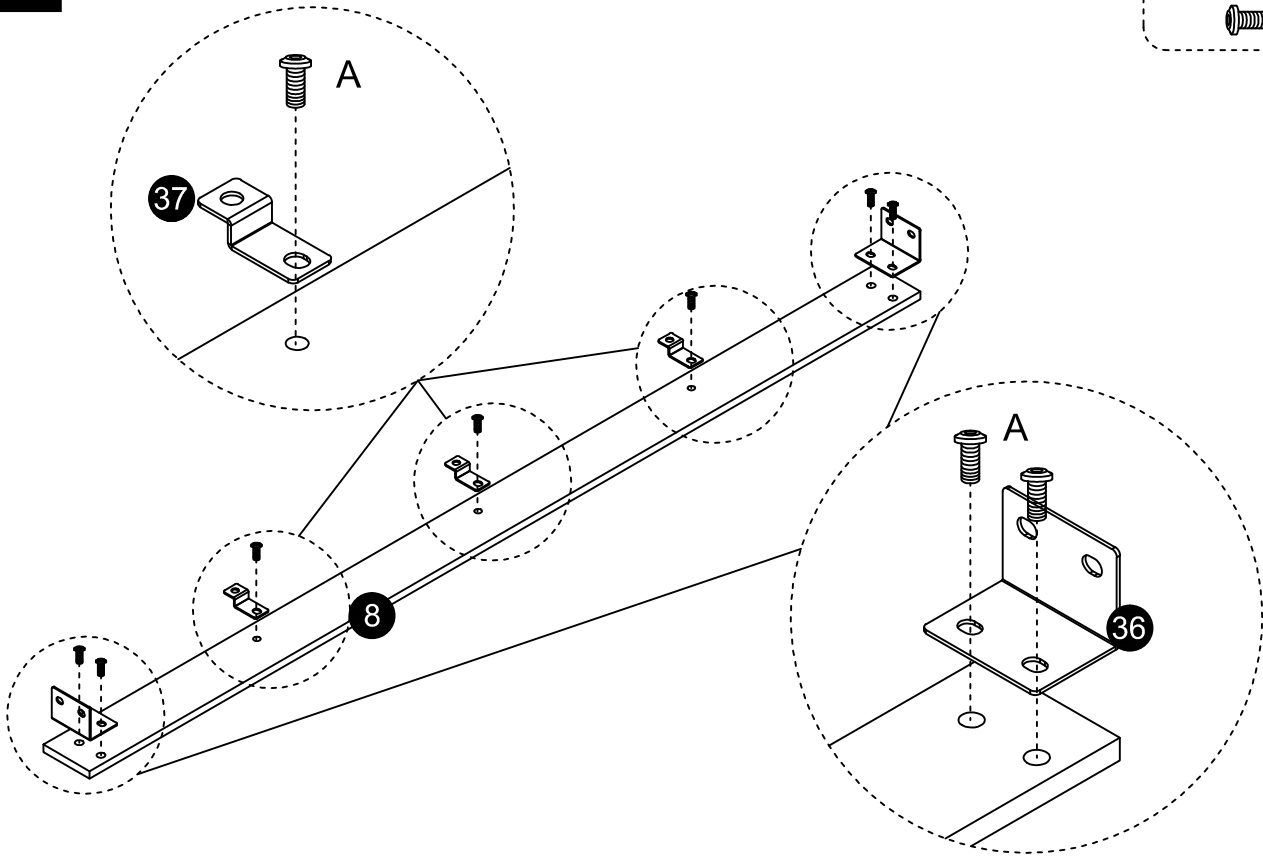


# Assembly Instruction

5

A M8\*15

x7



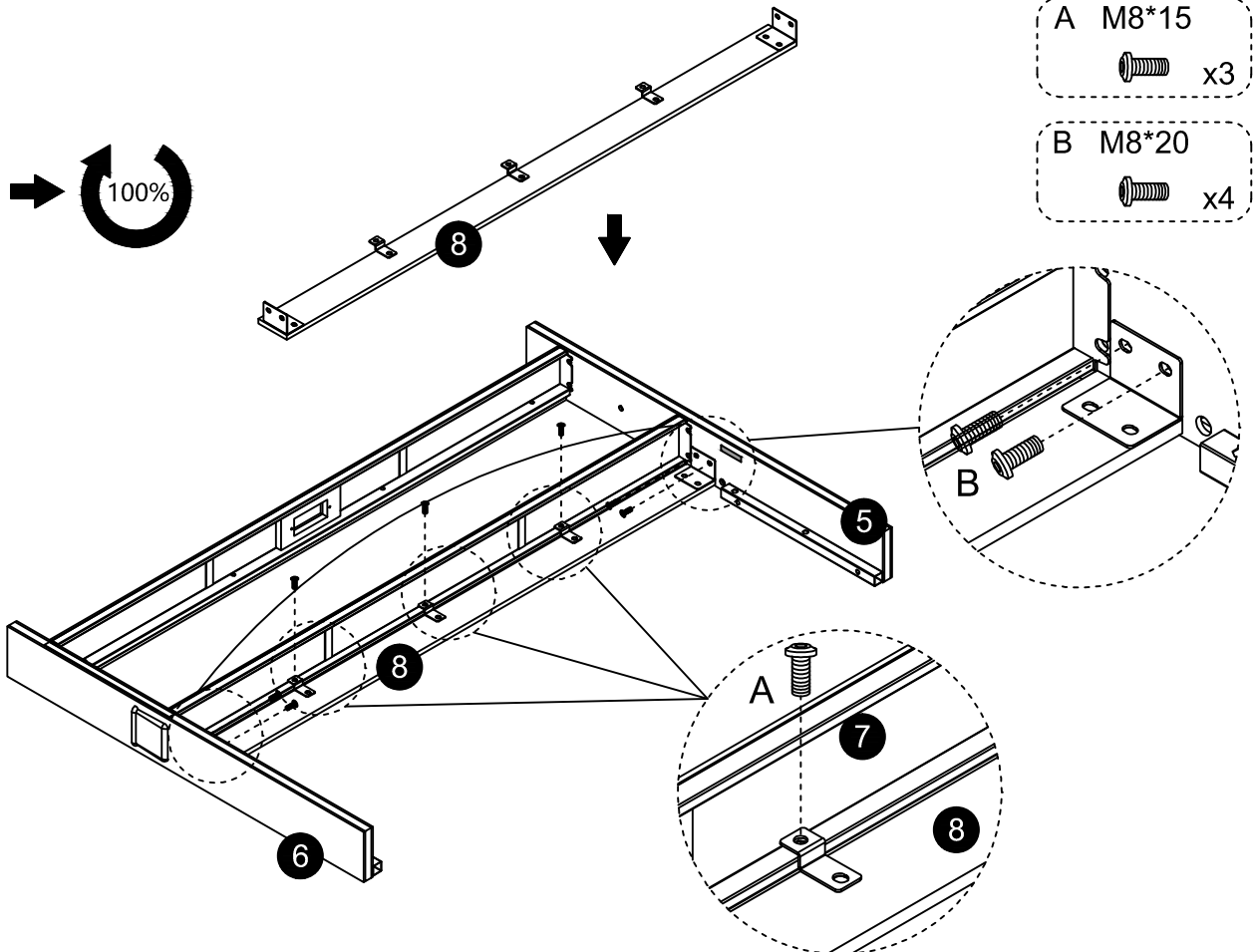
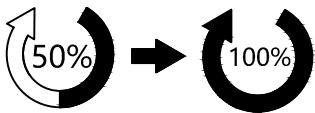
6

A M8\*15

x3

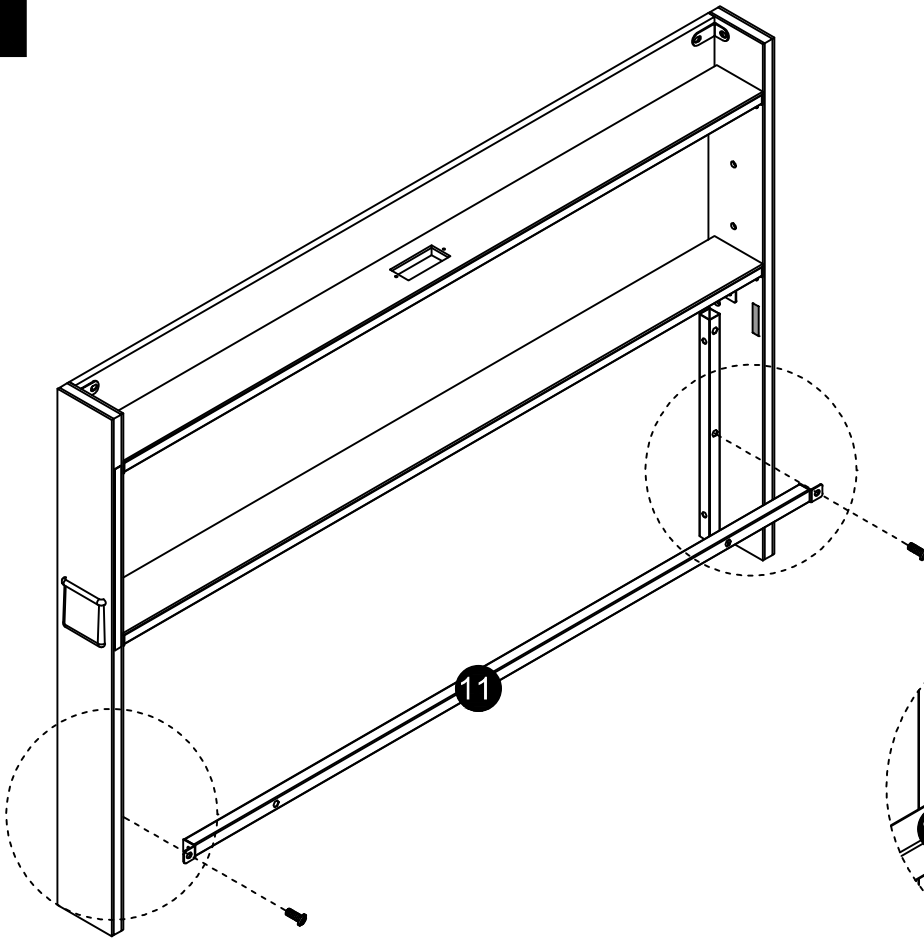
B M8\*20

x4

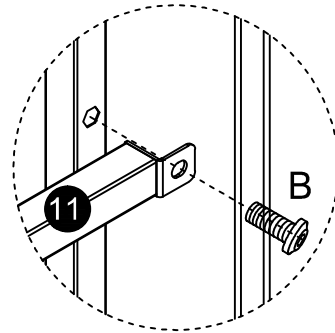


# Assembly Instruction

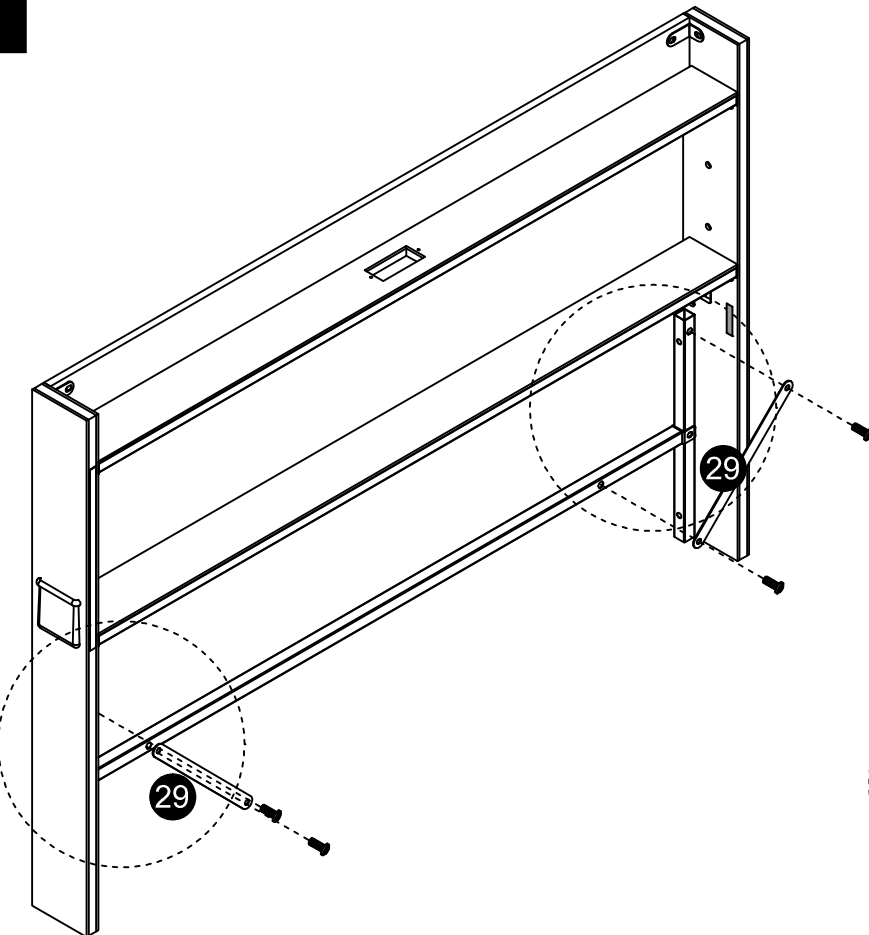
7



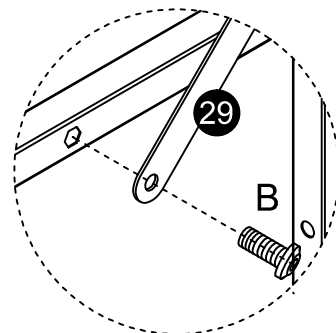
B M8\*20  
x2



8

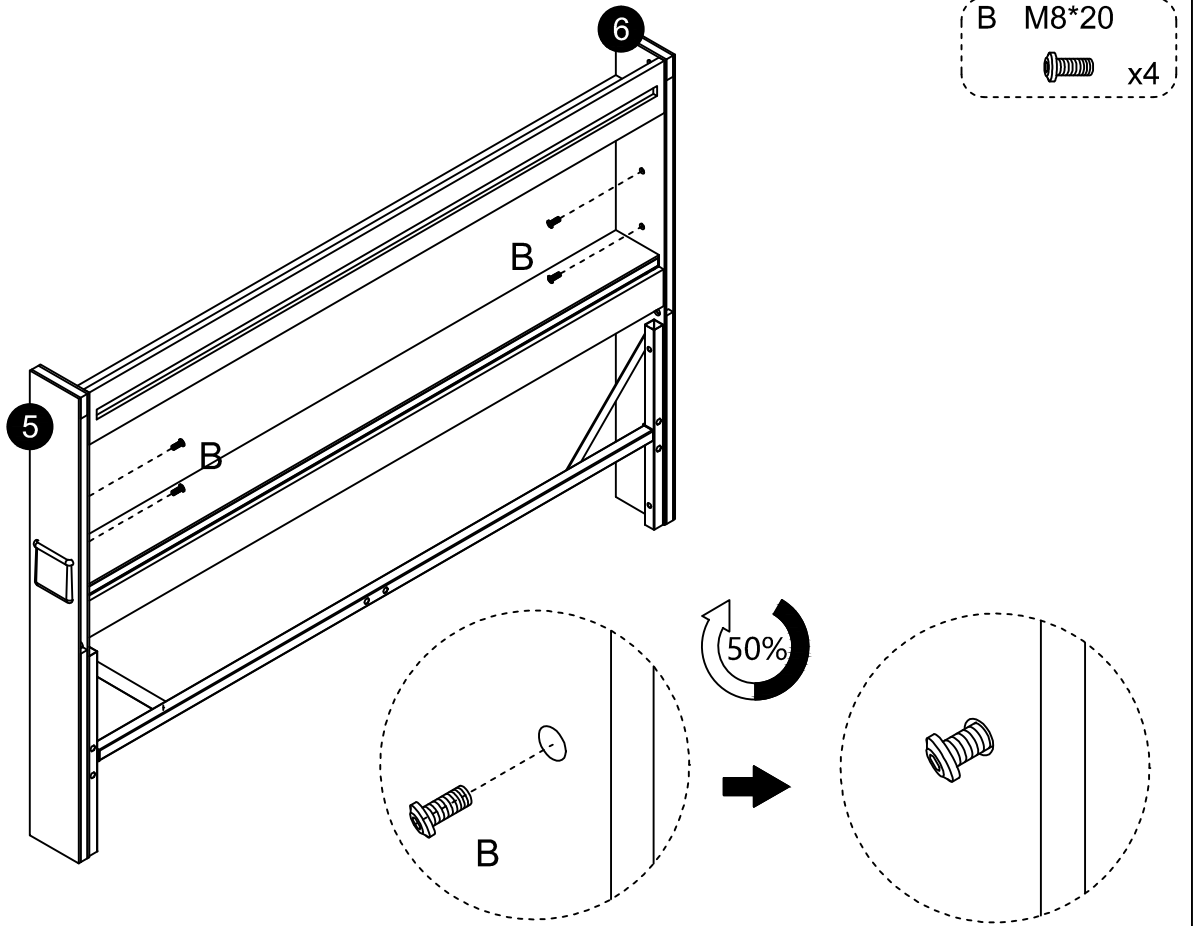


B M8\*20  
x4

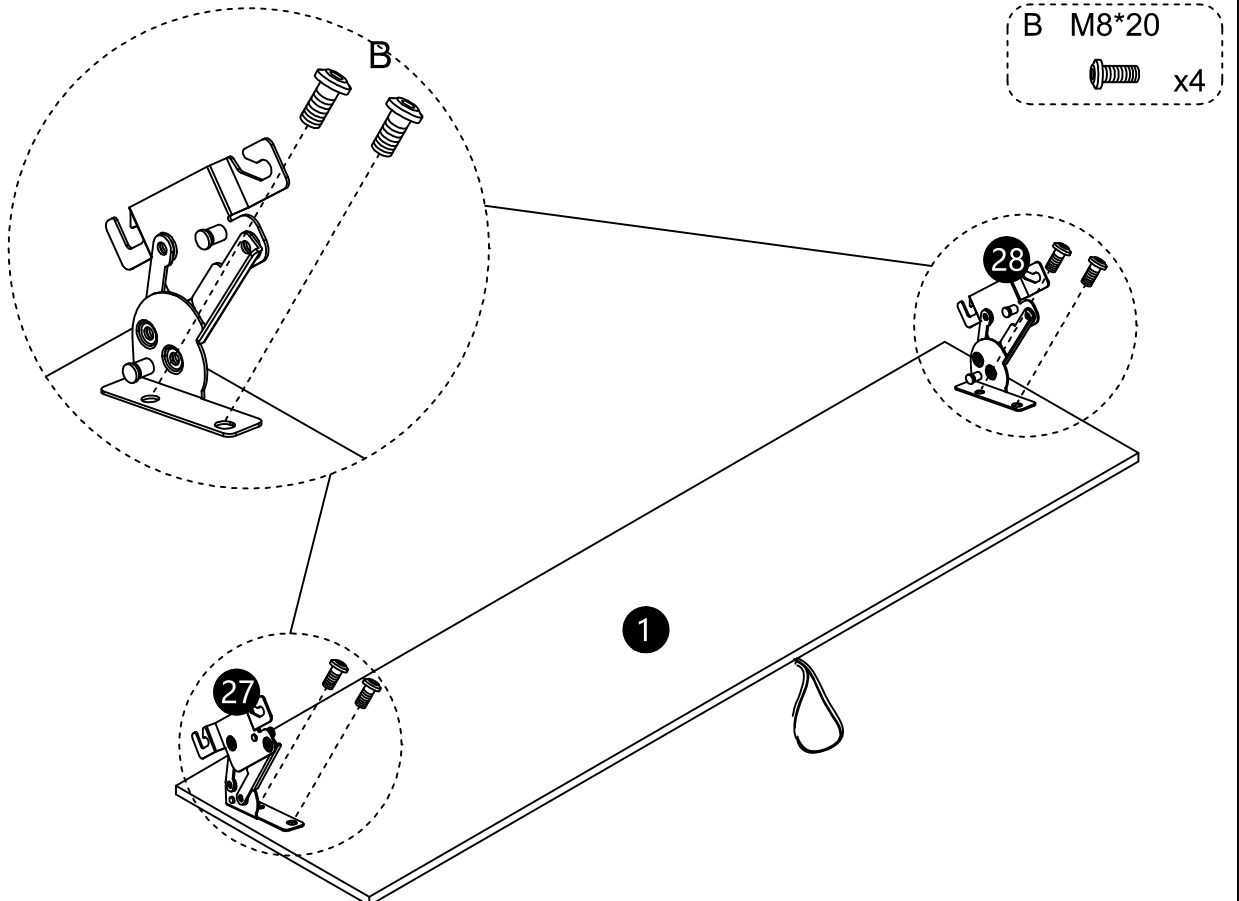


# Assembly Instruction

9

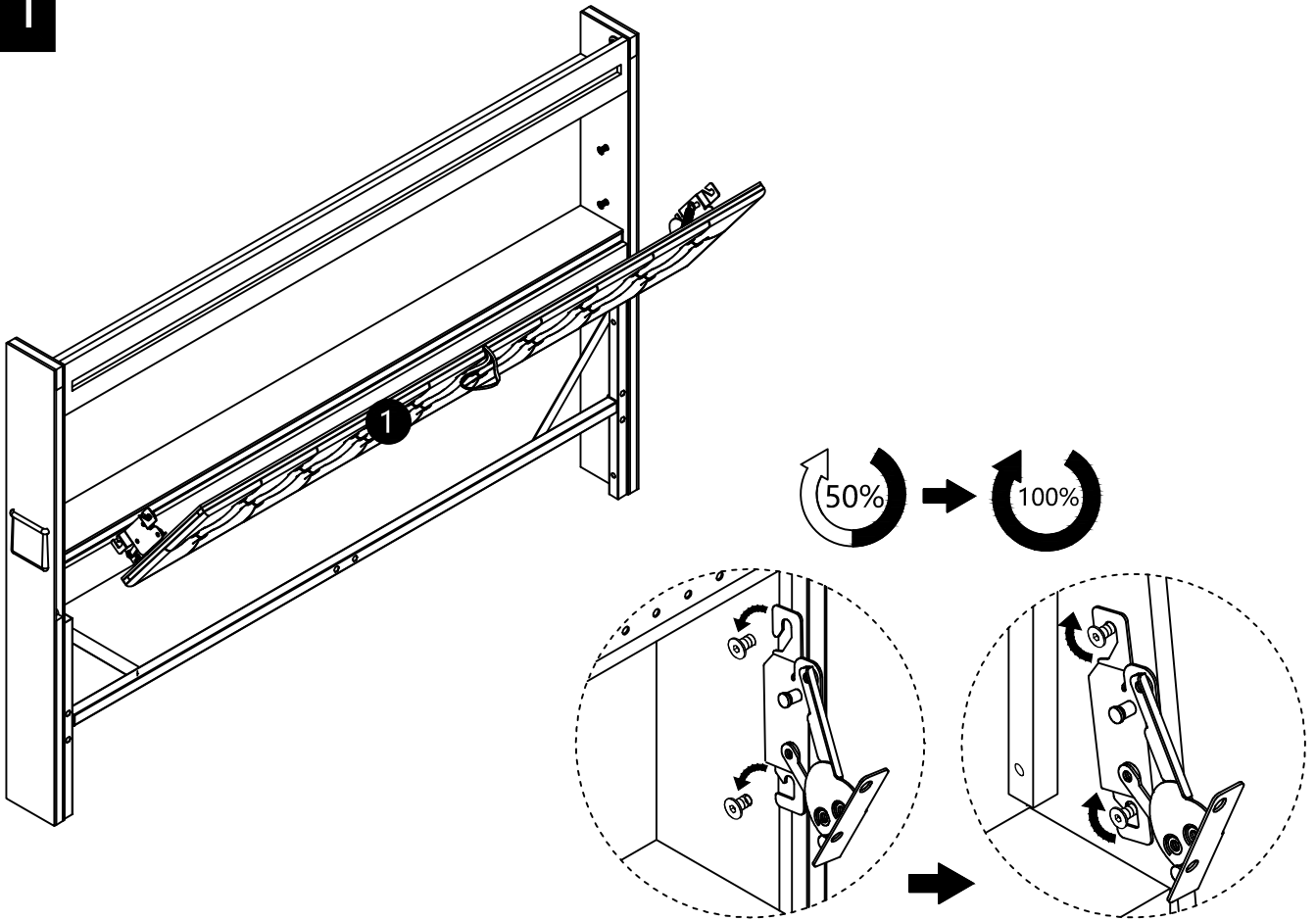


10

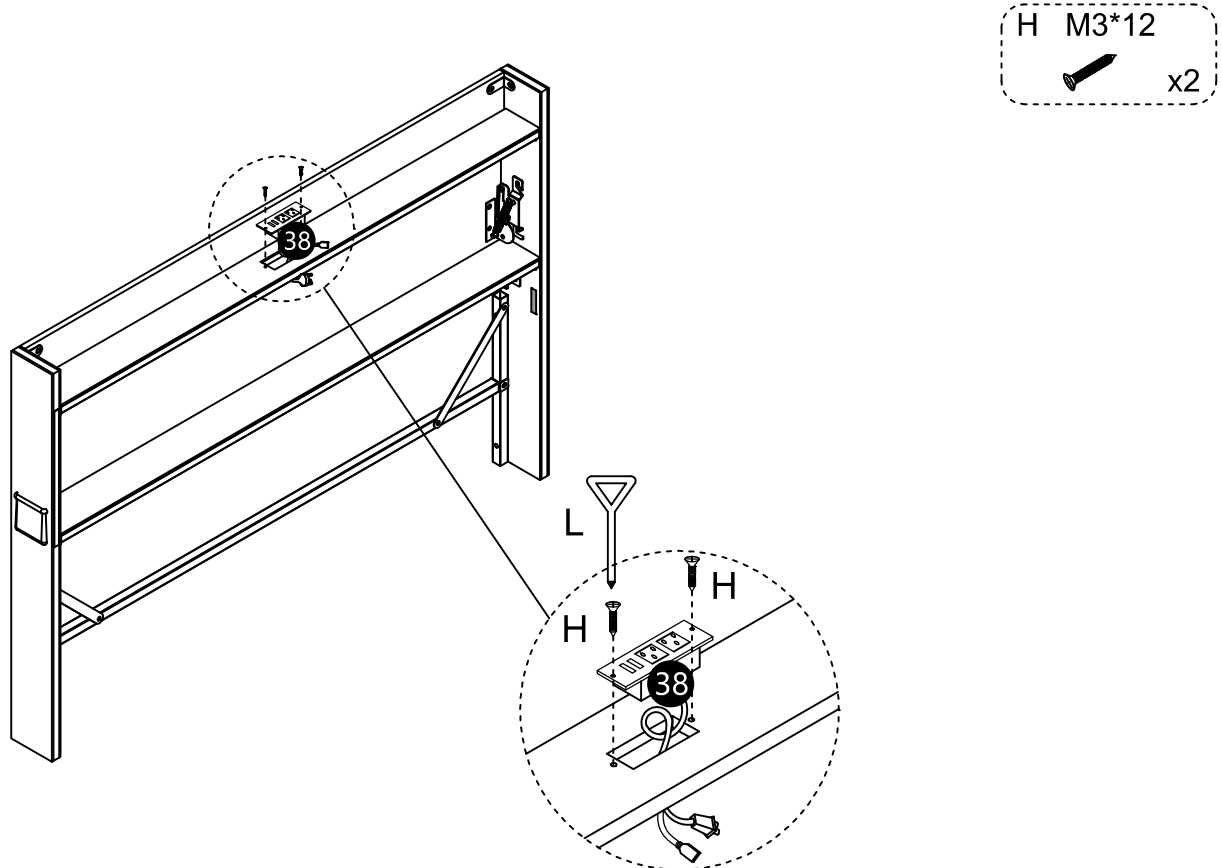


# Assembly Instruction

11

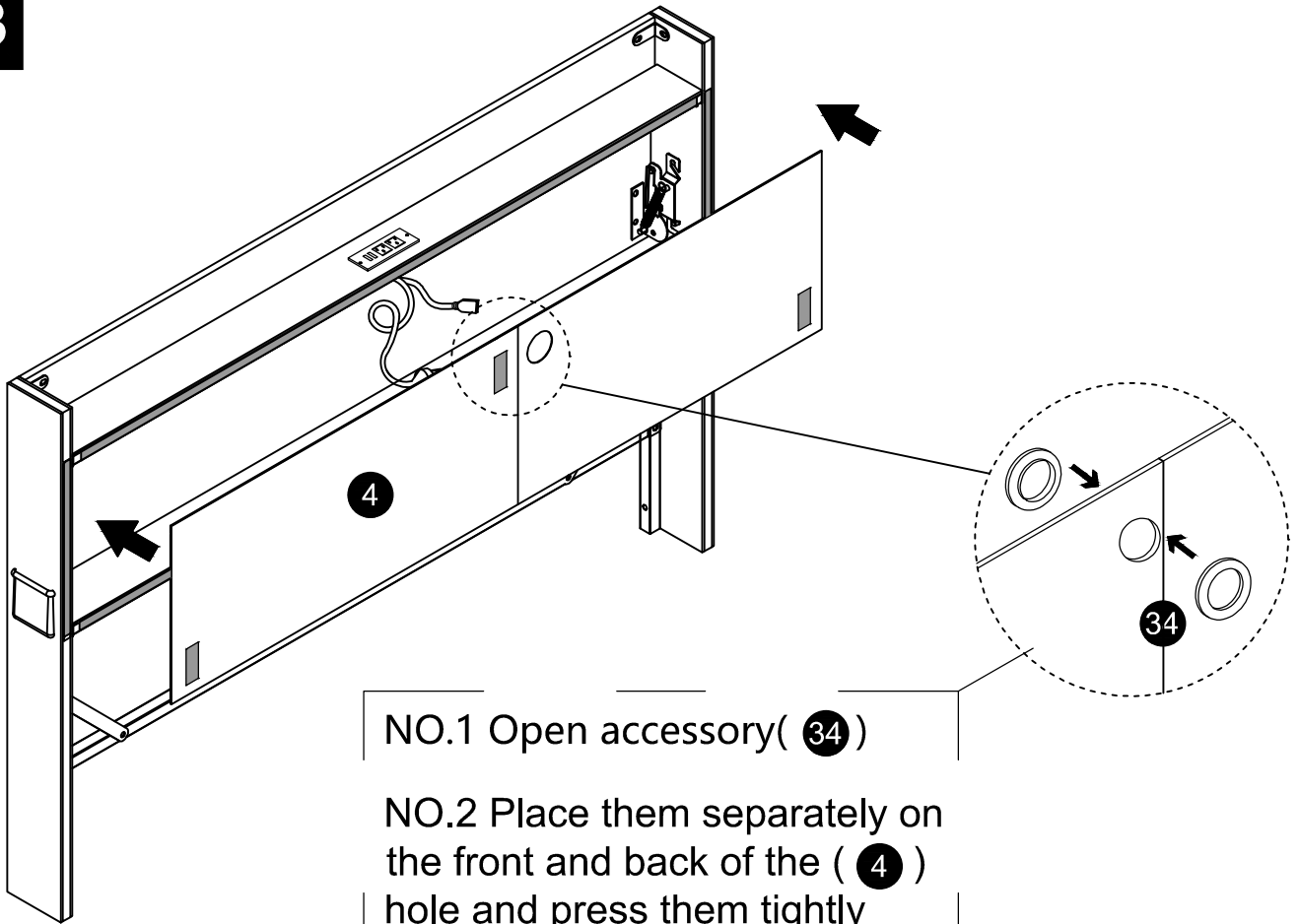


12



# Assembly Instruction

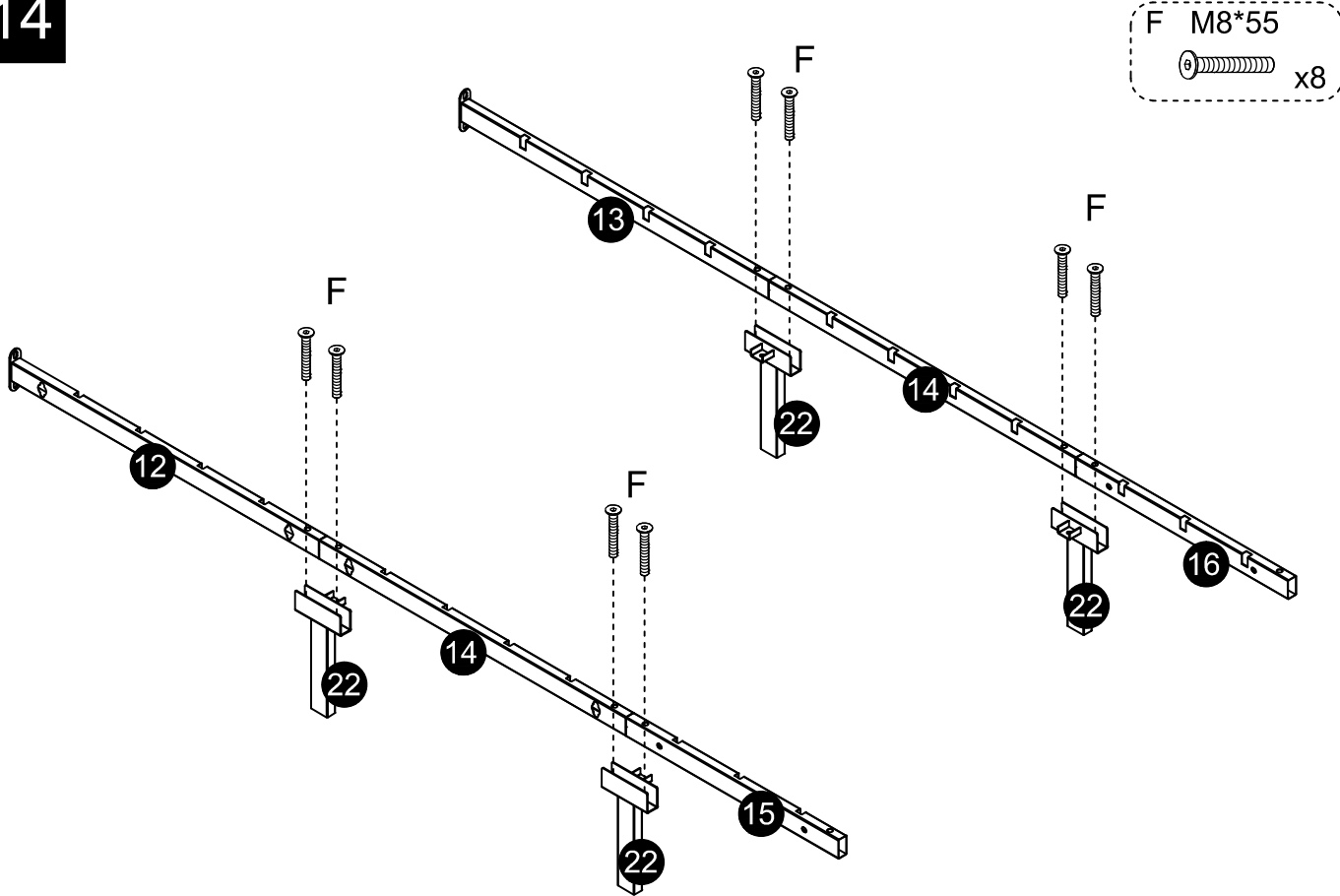
13



NO.1 Open accessory( 34 )

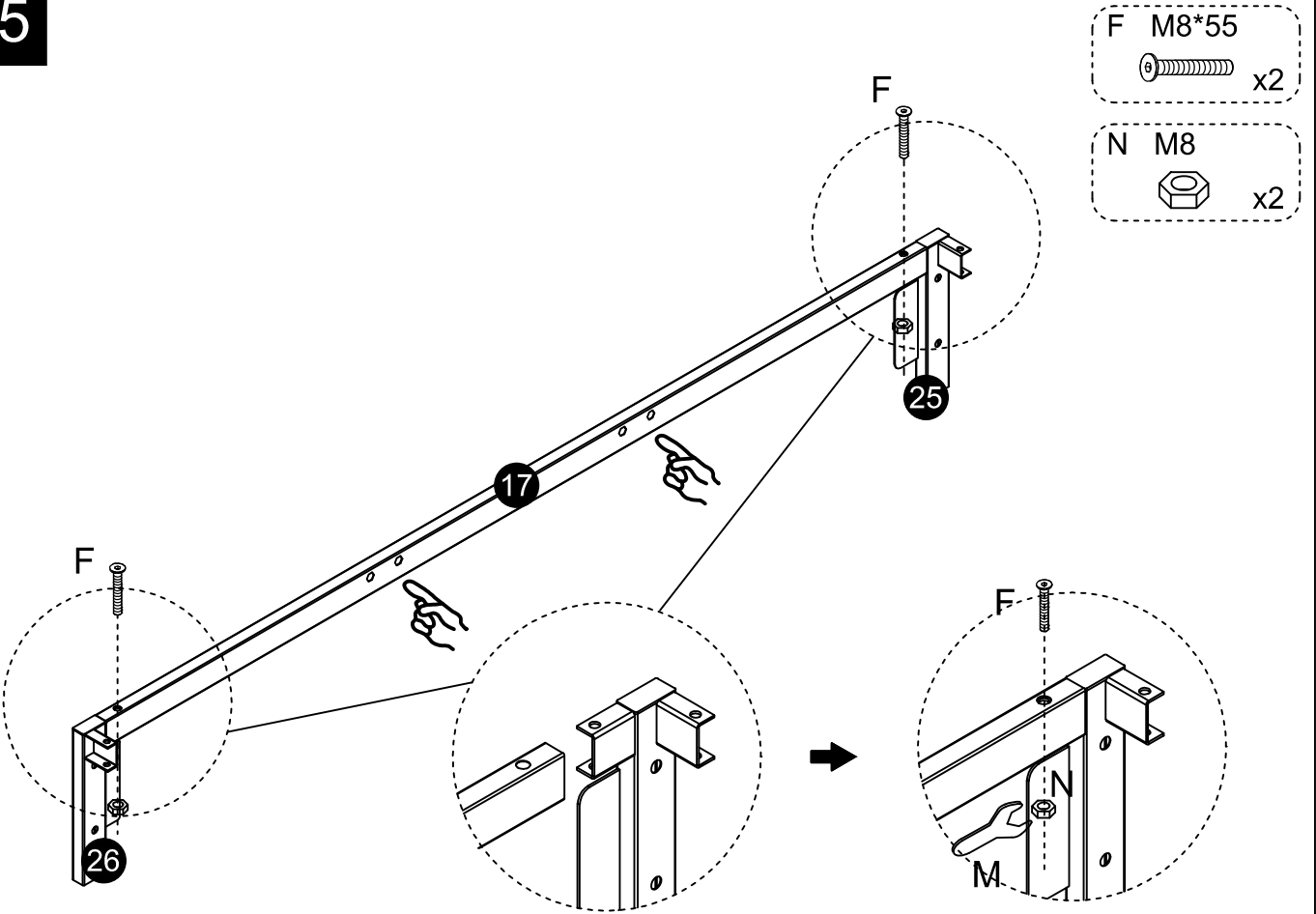
NO.2 Place them separately on the front and back of the ( 4 ) hole and press them tightly

14

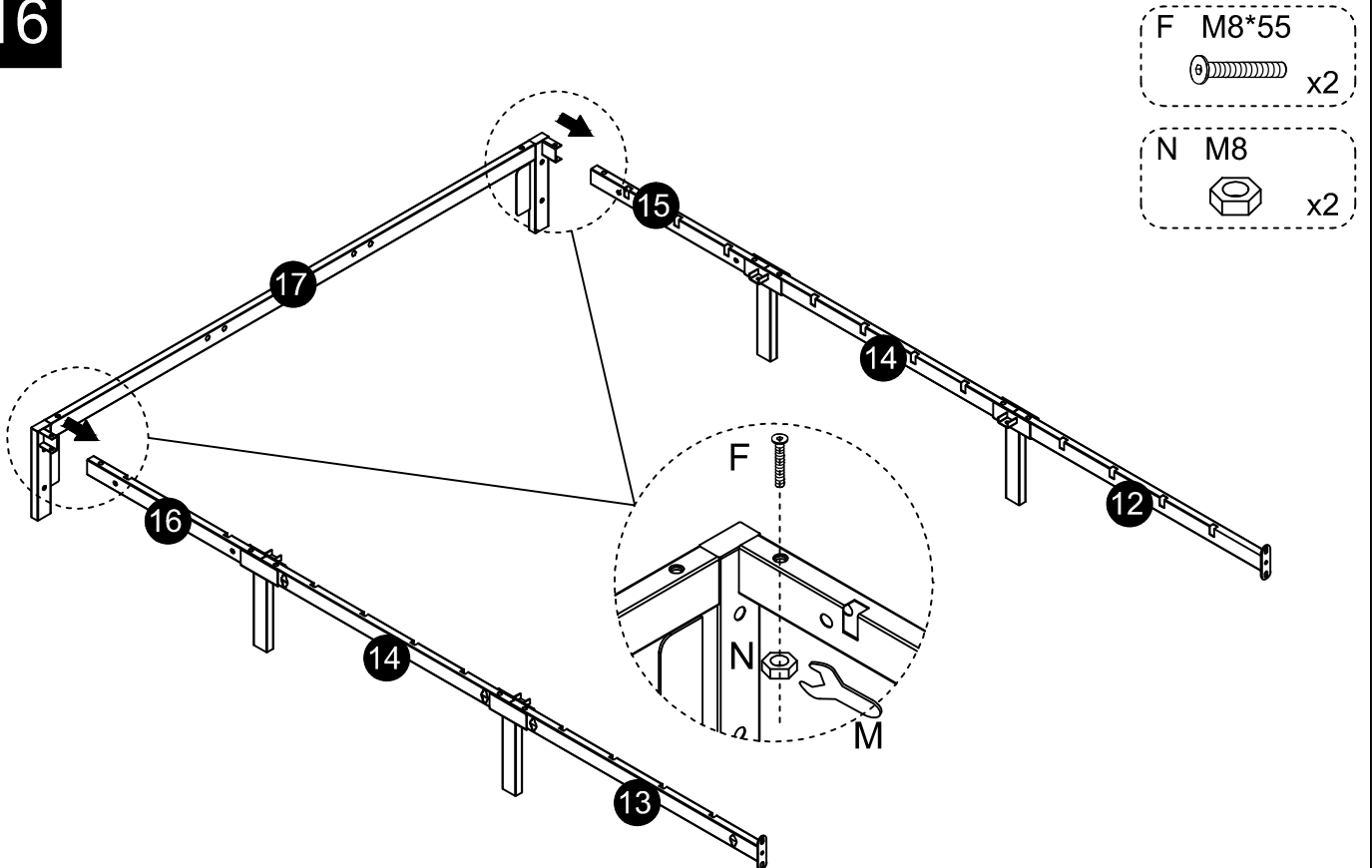


# Assembly Instruction

15



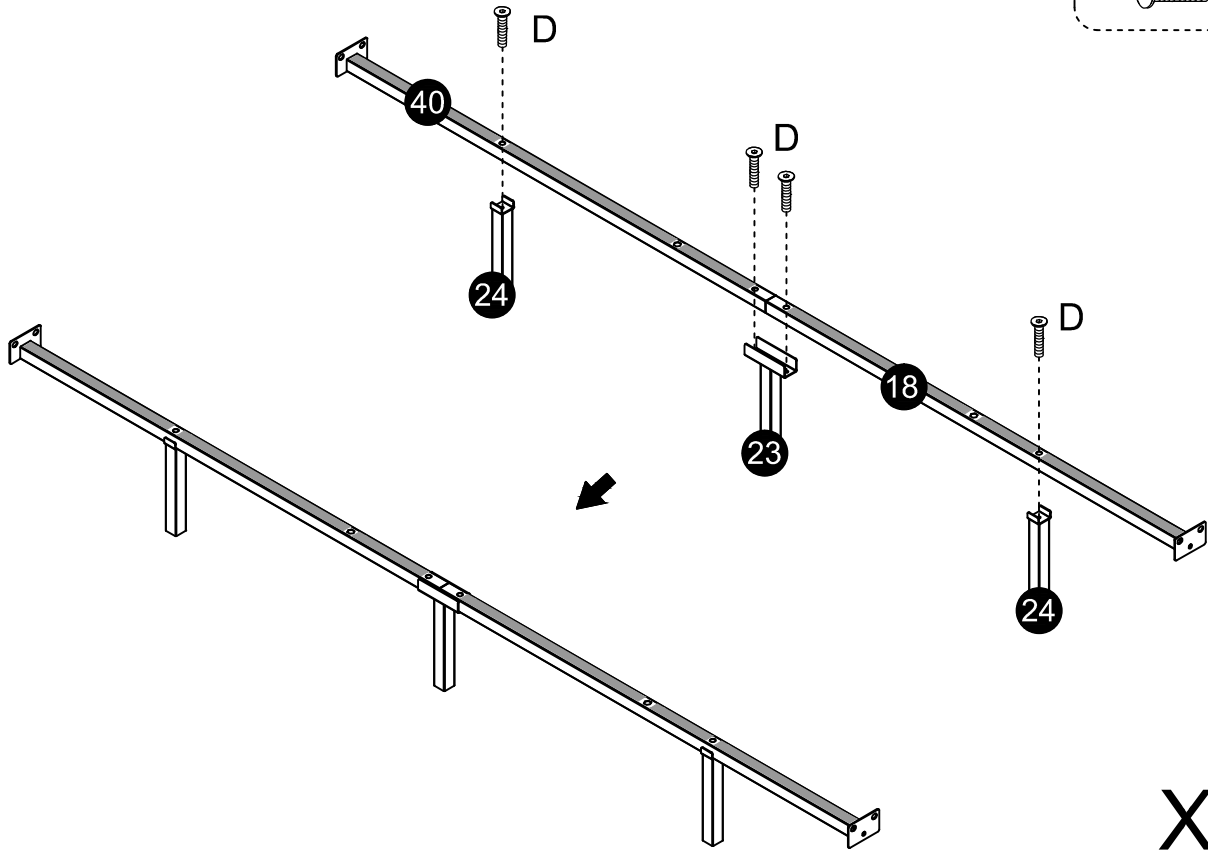
16



# Assembly Instruction

17

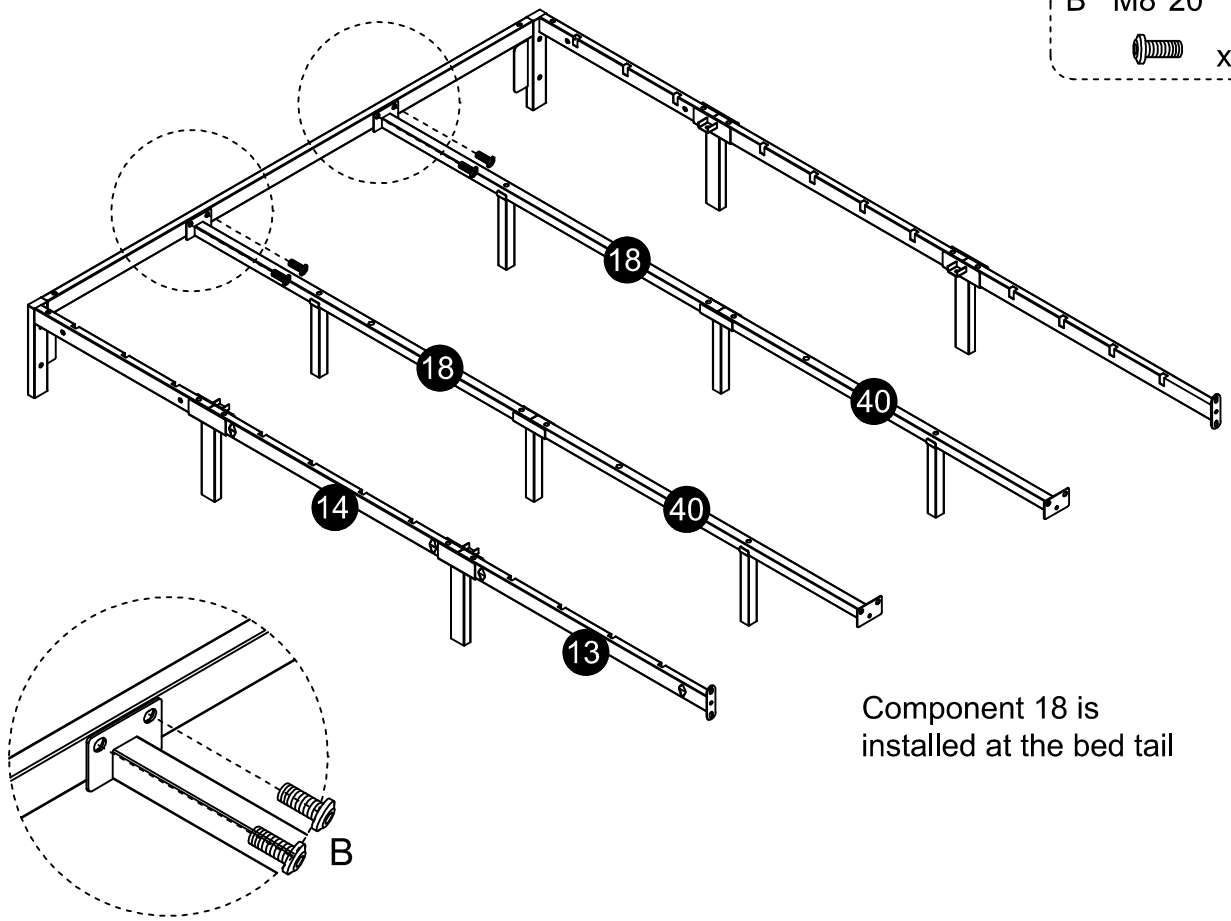
D M8\*35  
 x8



X 2

18

B M8\*20  
 x4

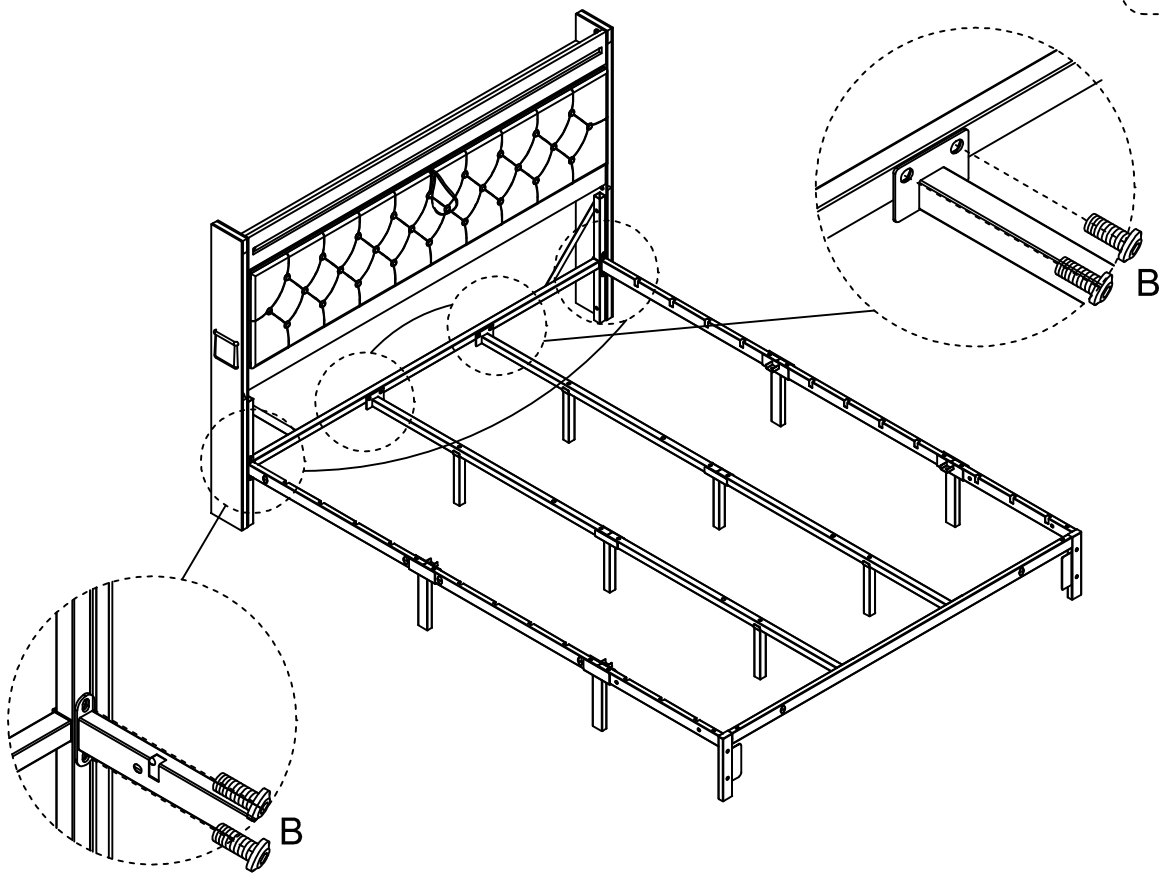


Component 18 is installed at the bed tail

# Assembly Instruction

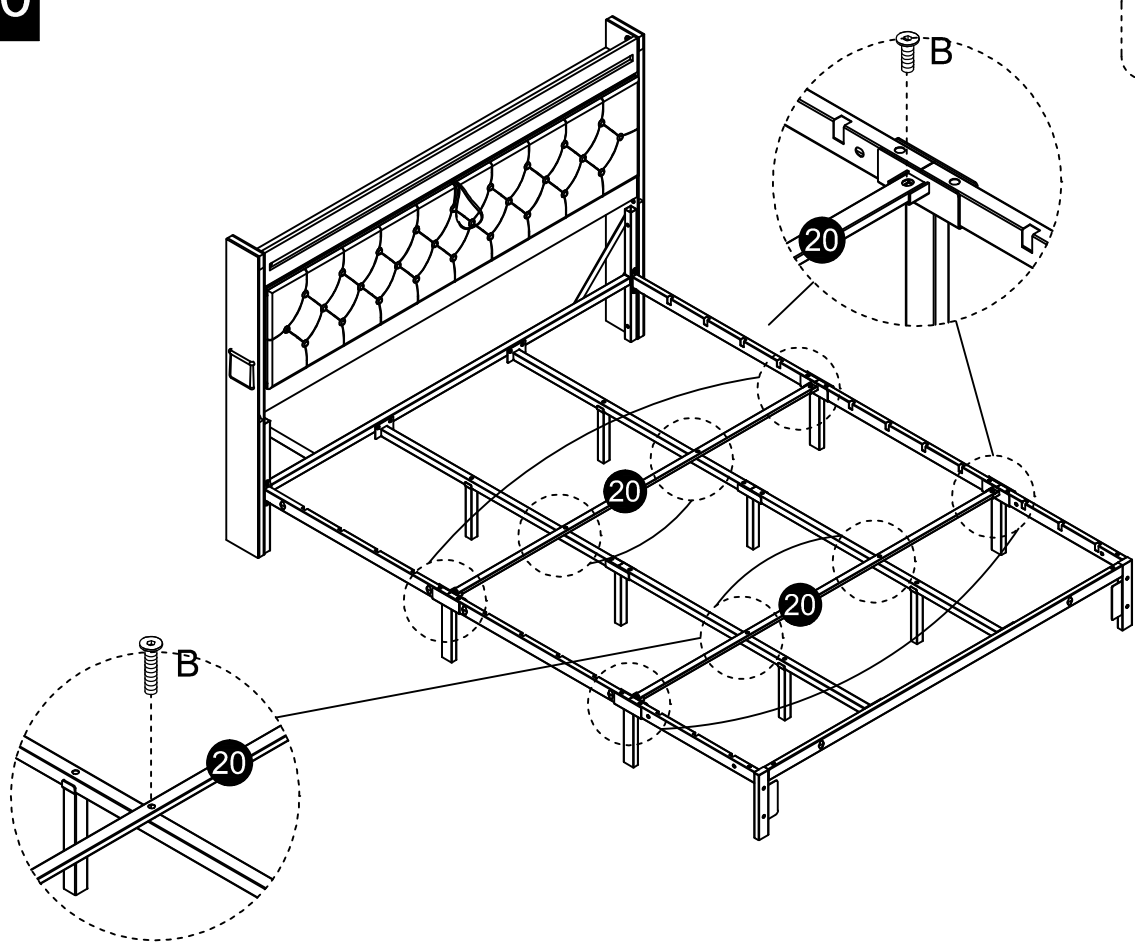
19

B M8\*20  
x8



20

B M8\*20  
x8

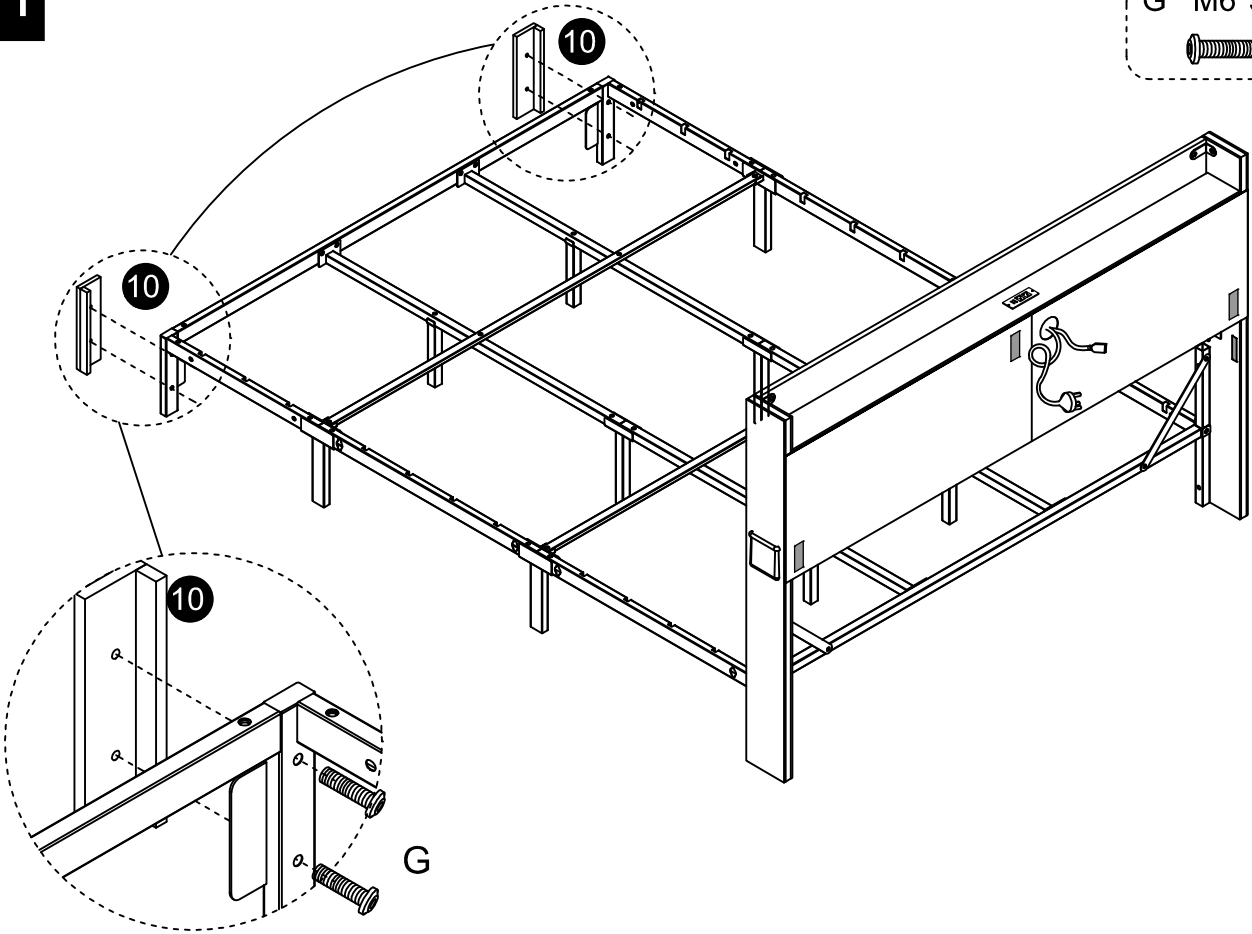


# Assembly Instruction

21

G M6\*35

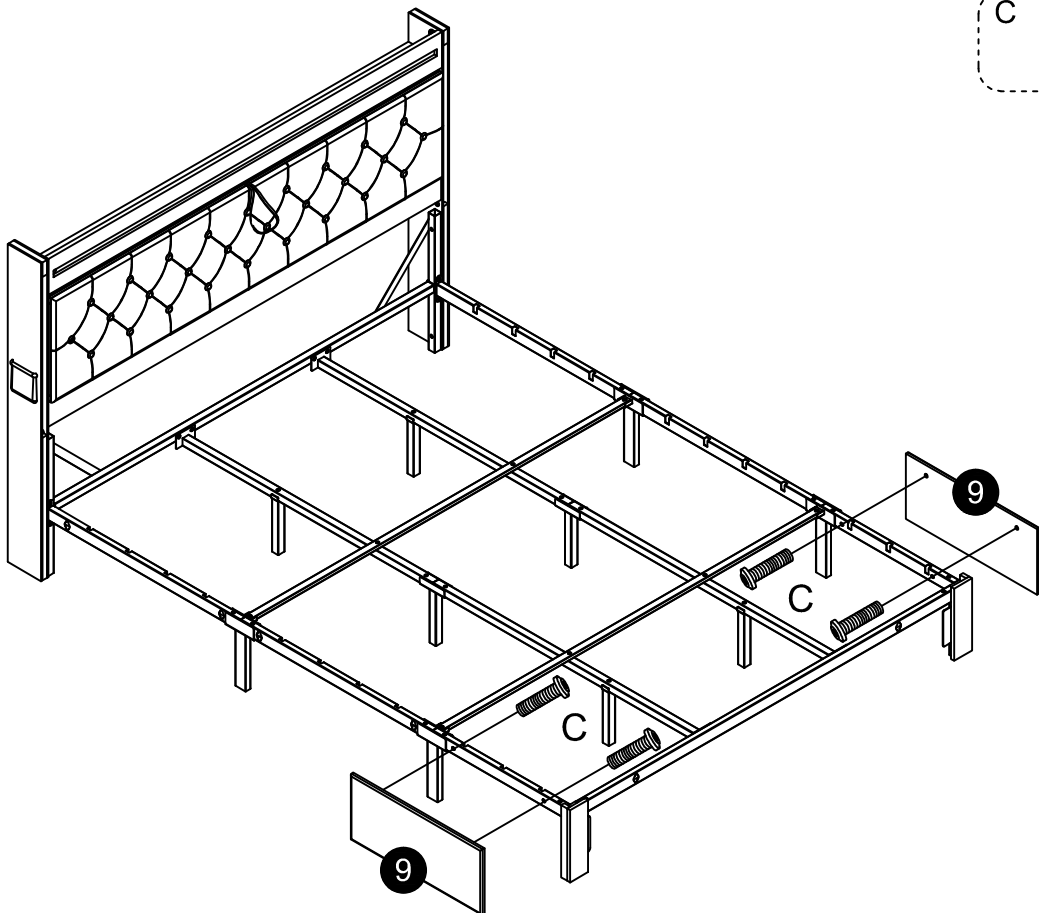
x4



22

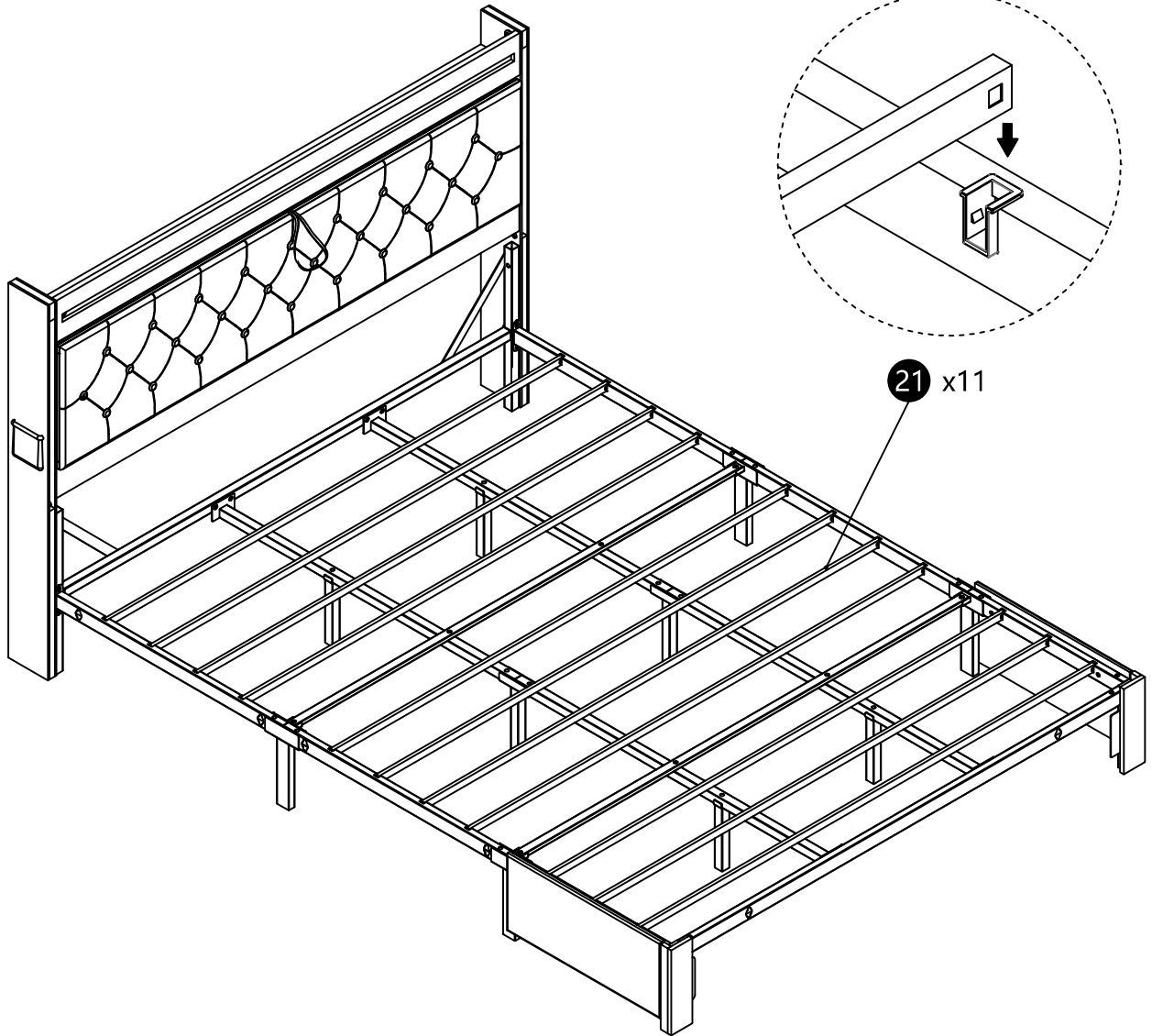
C M8\*30

x4

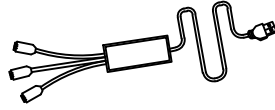


# Assembly Instruction

23



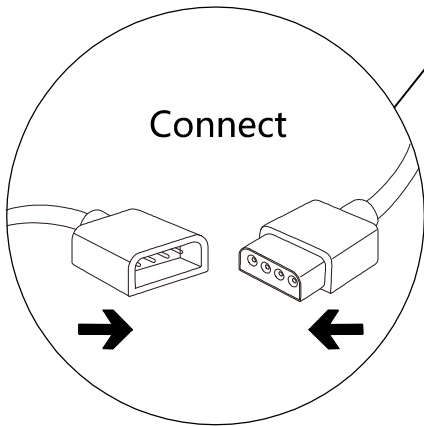
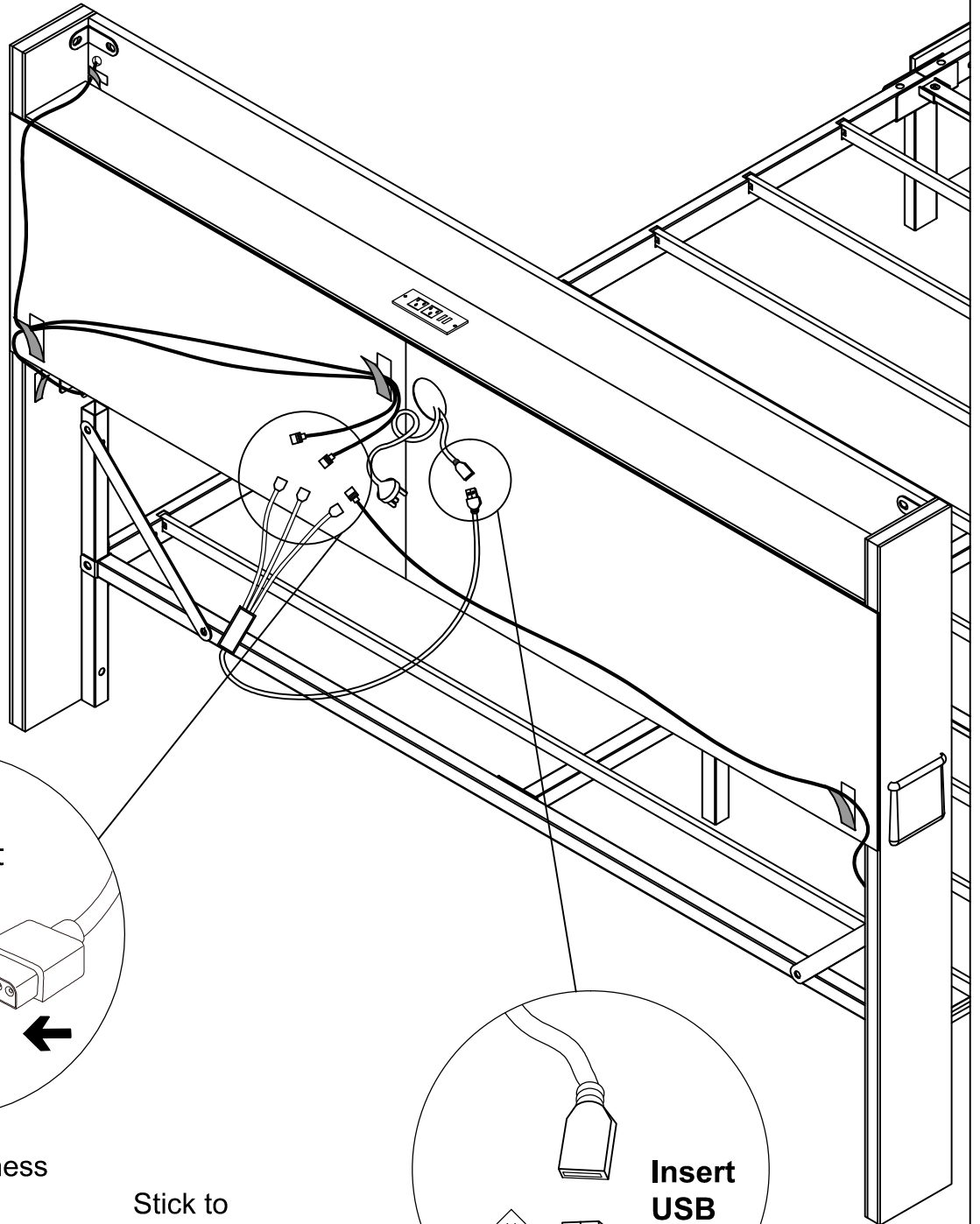
# Assembly Instruction



Power cord X1



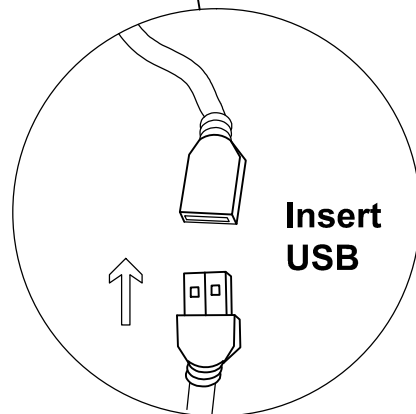
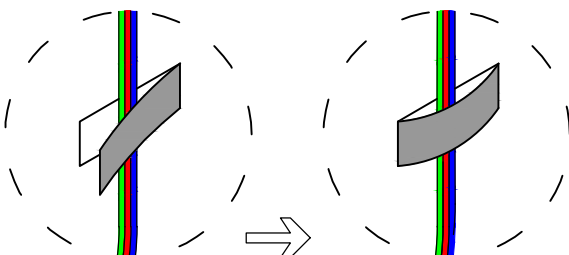
Remote control X1



Connect

Clip in the harness  
Magic Band

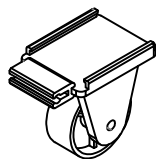
Stick to



Insert  
USB

# Hardware parts

## Accessories in hardware box



**39** Pulley x 21




Iron buckle x 21

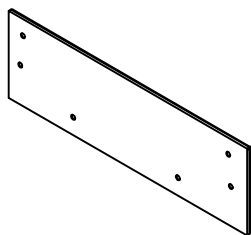


**P**

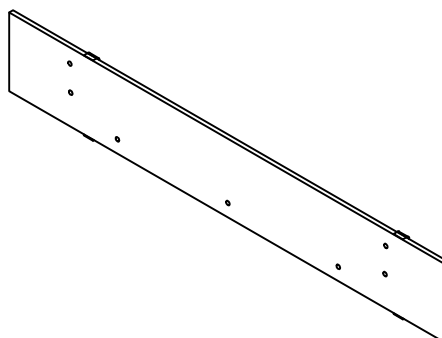
Black plastic buckle x 10

**A**  M8\*15  
Screw x 31

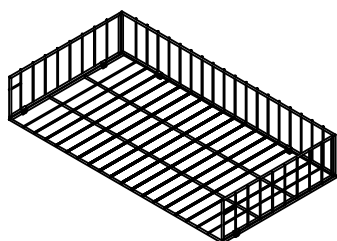
## Part list



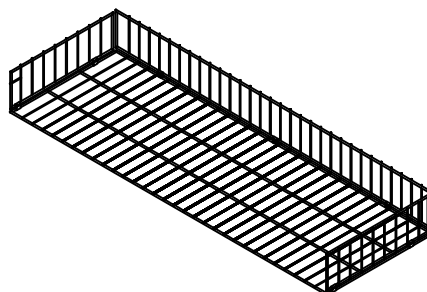
**30** x4



**31** x1



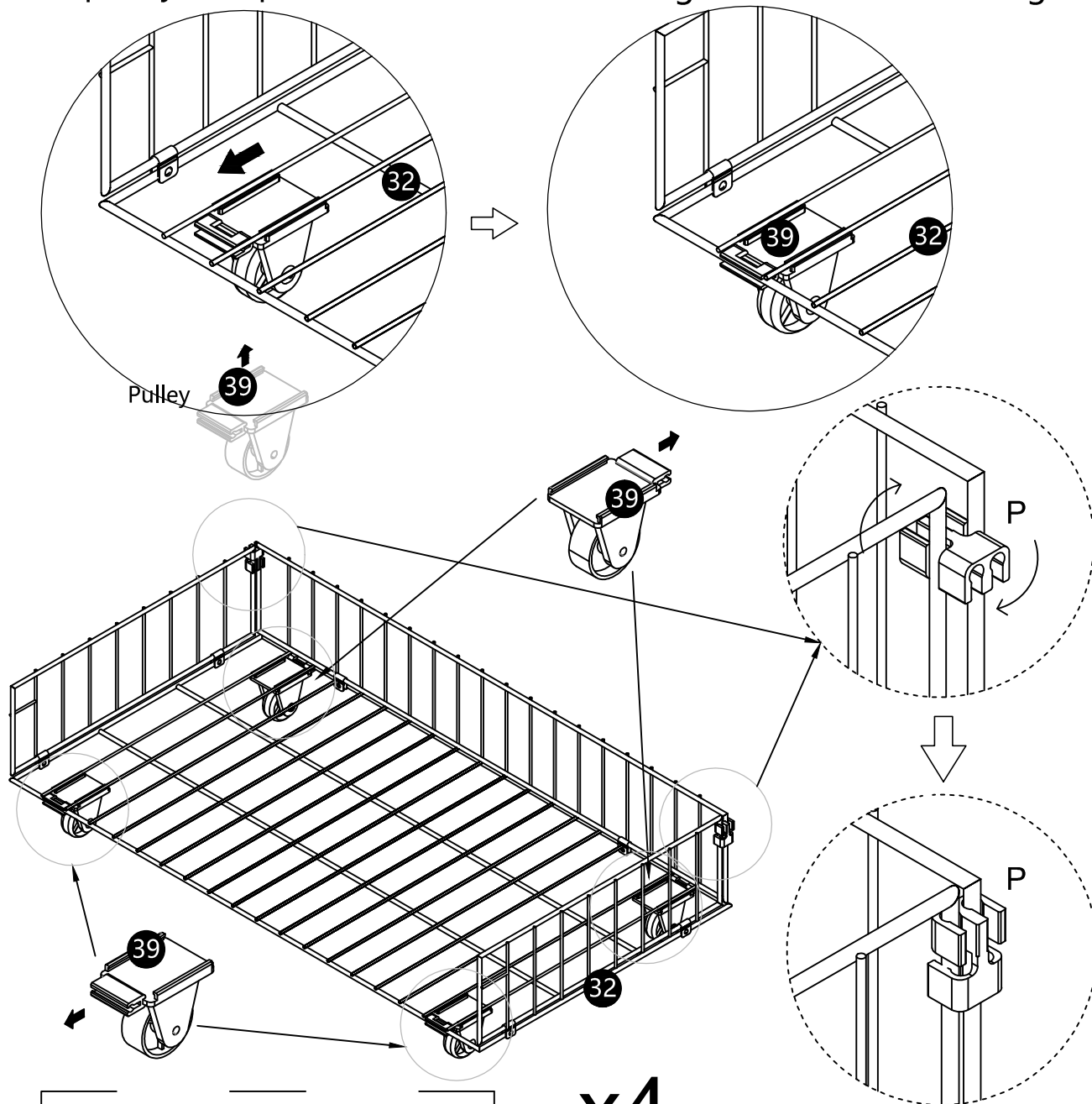
**32** x4



**33** x1

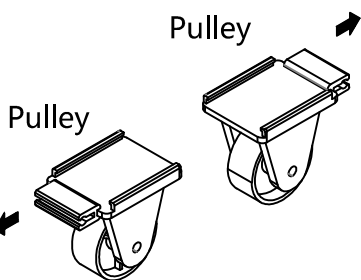
As shown in the figure Clip the pulley into position first

Then push the pulley to the side  
At the same time, clamp the iron wire at the edge. It takes a little strength



x4

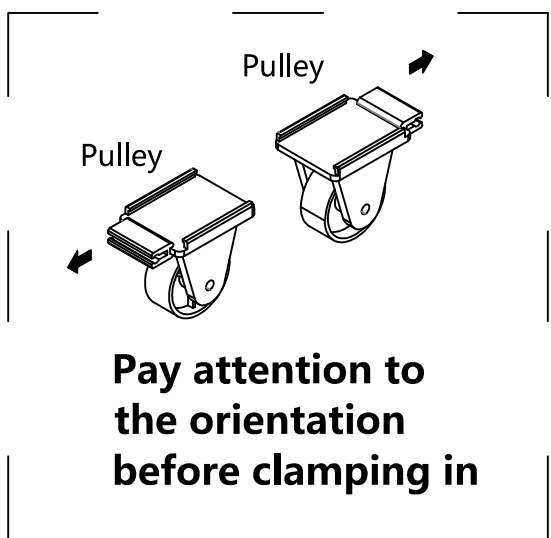
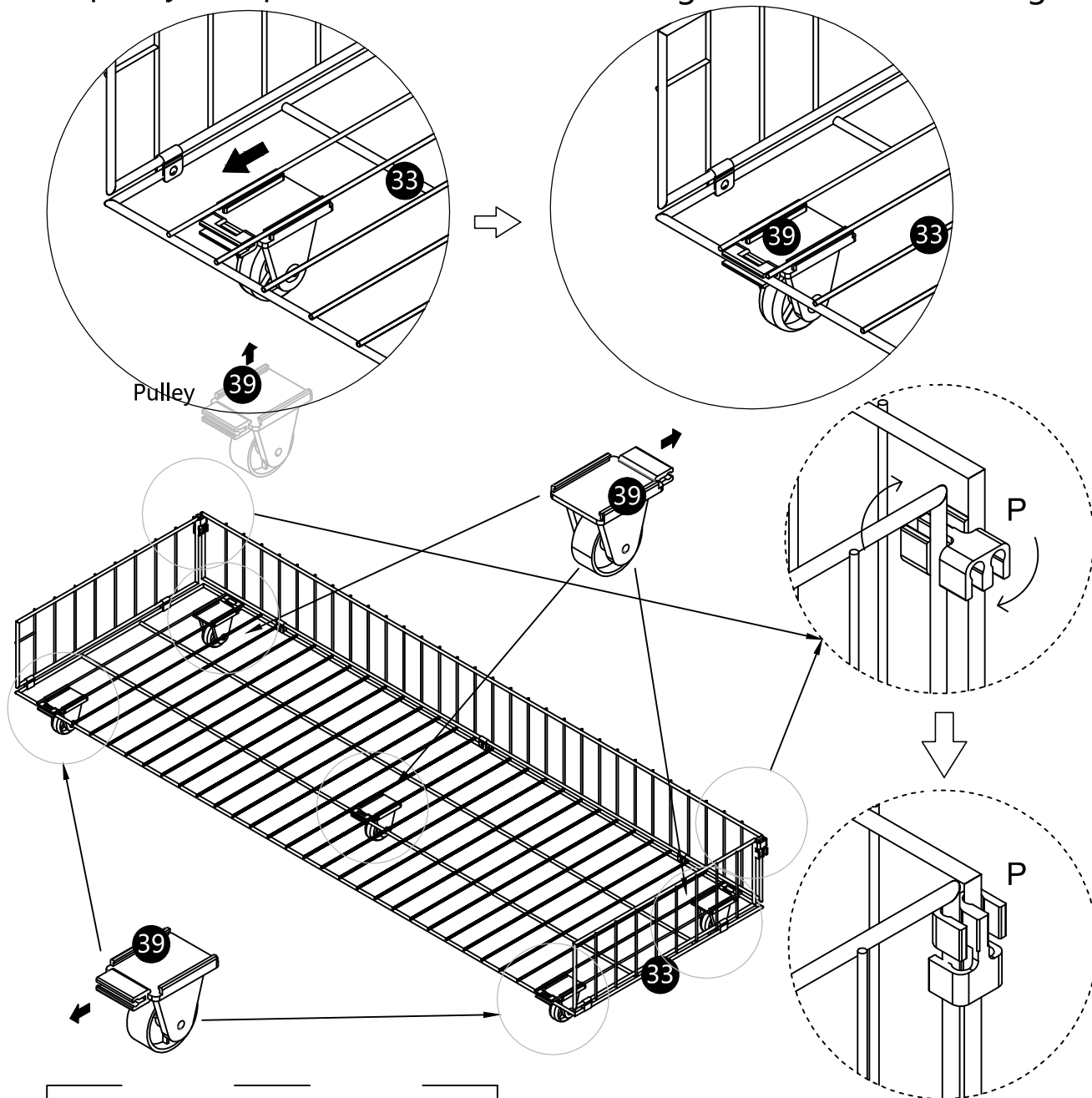
**Please note that this drawer base (32) has front and back sides! Please see the instructions clearly before assembling!!!**



**Pay attention to the orientation before clamping in**

As shown in the figure Clip the pulley into position first

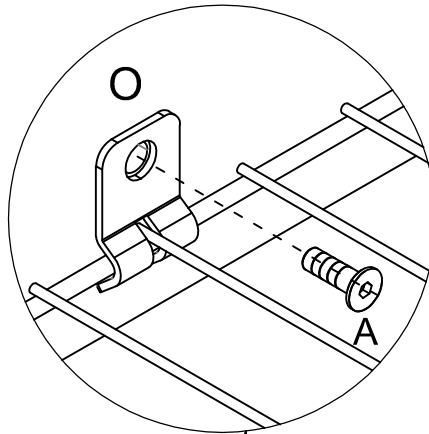
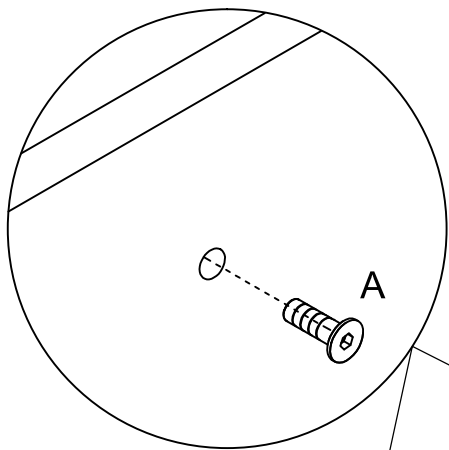
Then push the pulley to the side  
At the same time, clamp the iron wire at the edge. It takes a little strength



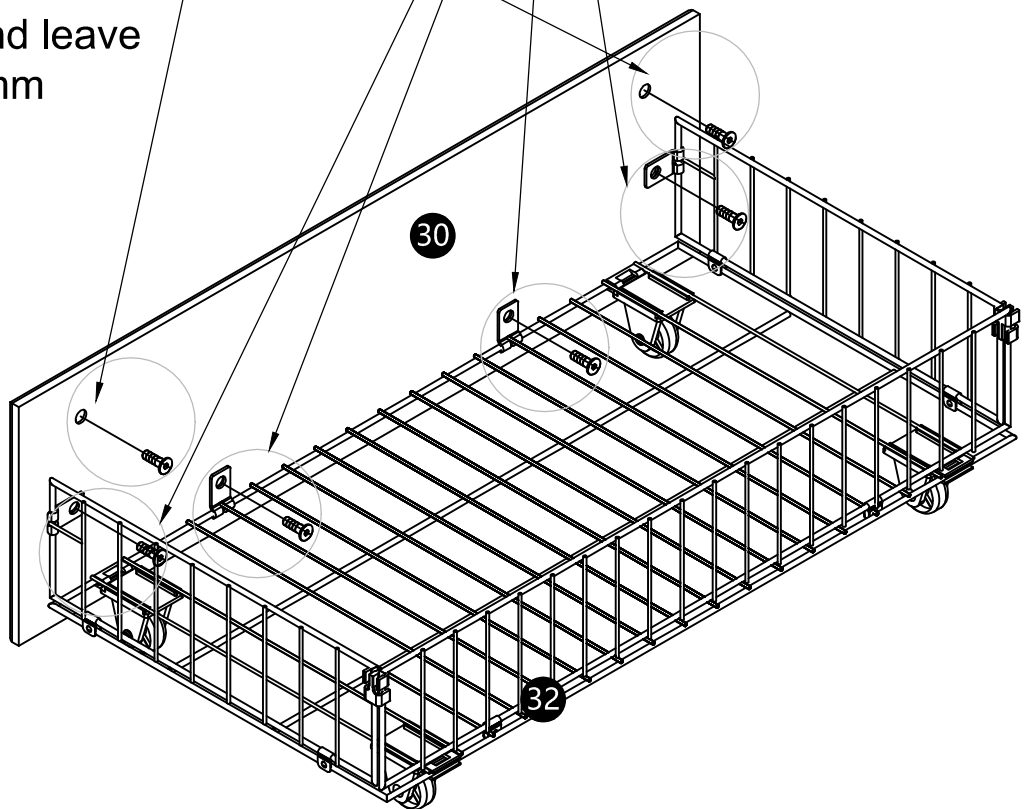
**Please note that this drawer base (33) has front and back sides! Please see the instructions clearly before assembling!!!**

A M8\*15  
x24

O  
x16



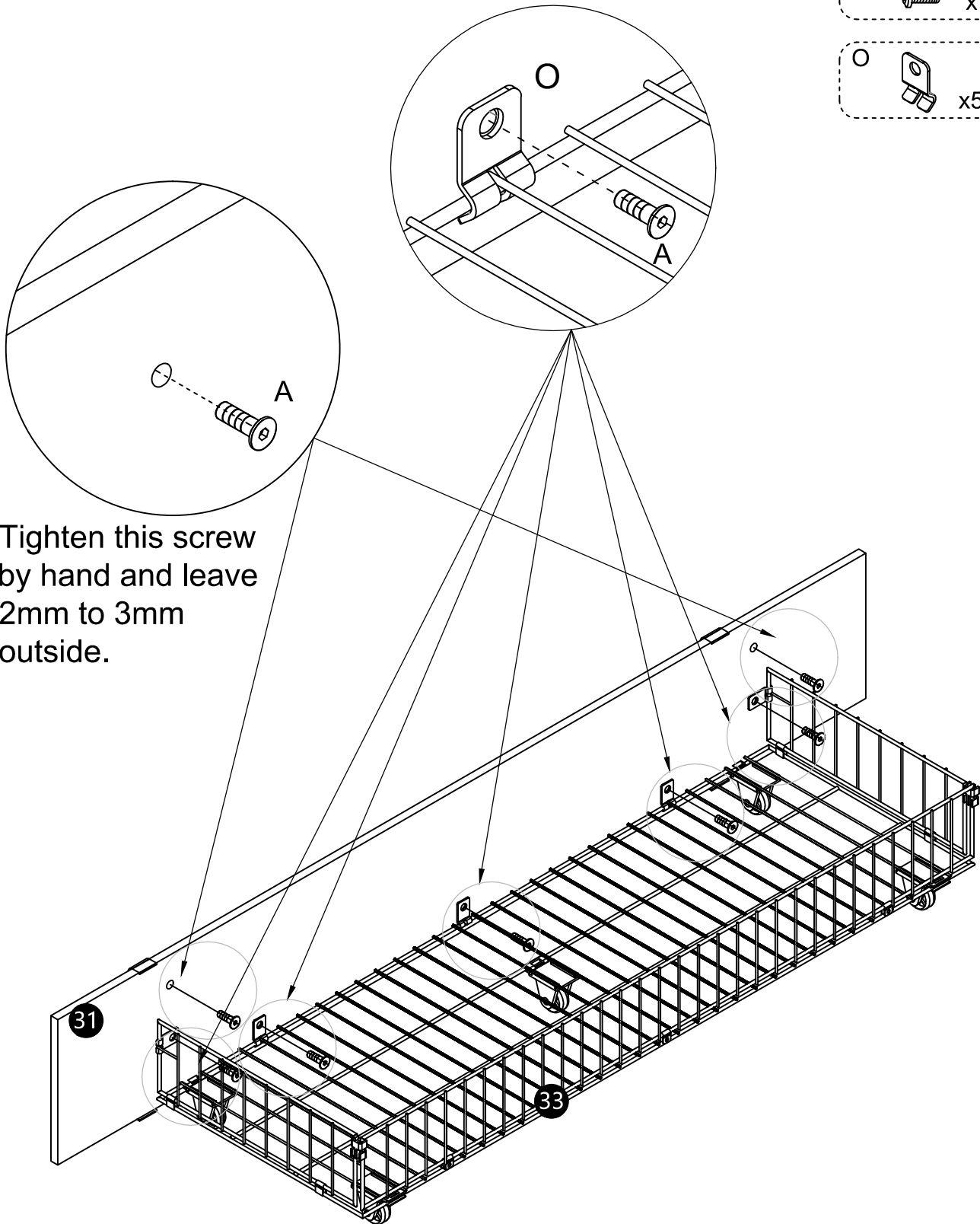
Tighten this screw  
by hand and leave  
2mm to 3mm  
outside.



x4

A M8\*15  
x7

O  
x5



Tighten this screw  
by hand and leave  
2mm to 3mm  
outside.

**When pushing into the drawer,  
Lift the drawer gently,  
Align the screw with the gourd  
hole and push in  
When pulling out the drawer, Lift  
the drawer gently,  
Align the screw with the gourd  
hole, and then pull it out**

