

Divan Assembly Instructions

All our beds are easy to assemble.

All components are pre-attached.

All you need is a flat head screwdriver.



You should have the following pieces:



- A Headboard
- B Base 1
- C Base 2

You should have the following components:



8 x Feet



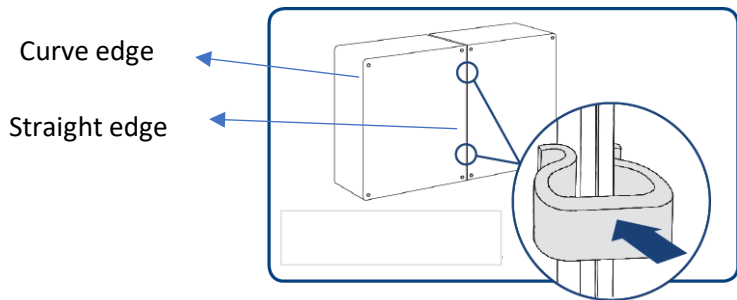
2 x U Clips



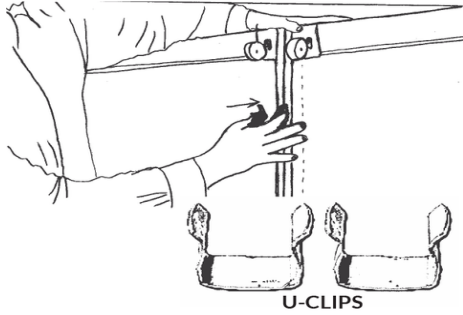
2 x Headboard legs



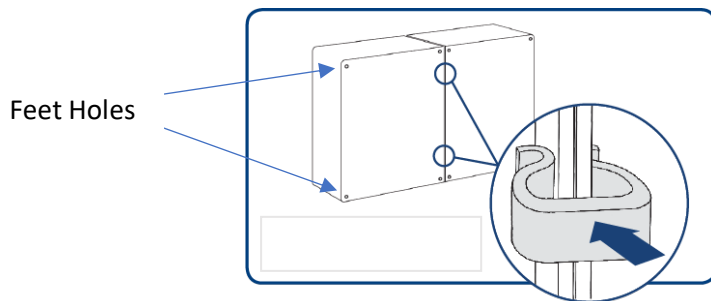
2 x headboard bolts



1. Once you have unwrapped the two bases and the headboard, stand base 1 and base 2 next to each other vertically. Please ensure that the straight edges join in the middle and the curved edges remain on the outside. Use the 2 U clips to clip both bases together at the top & bottom in the space provided.



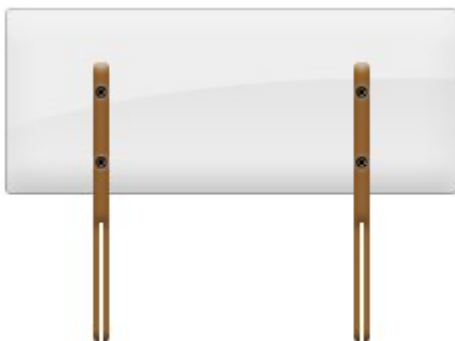
(Our bases are universal. If you have ordered 2 drawers you can have them on the right or left. Please make sure that when you stand the bases together vertically, both drawers are either on the bottom or the top facing the ceiling)



2. Place the feet in the holes provided. Use the palm of your hand or a rubber mallet to firmly tap the feet in to the holes. You will hear a loud click when the foot is locked in to place.



3. Now carefully guide the bases down to the floor so that they are flat against the ground.



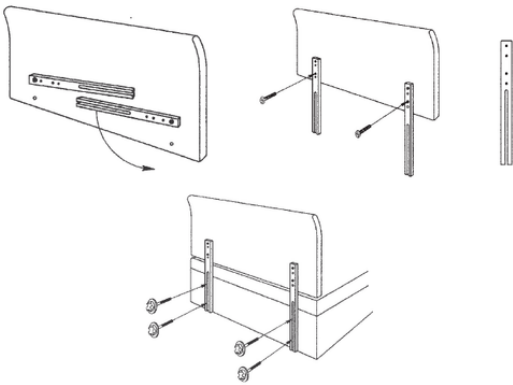
4. Place the headboard legs on to the headboard. The pre-drilled holes can be found in between the staples. Use your fingers to feel the holes. Use the 4 screws provided and screw firmly in to position.



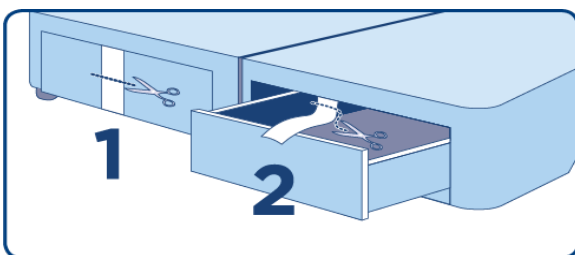
5. You will see two stickers on the base. These are to indicate the headboard bolt holes. Use the headboard bolts to pierce the sticker and screw the bolt in. Only screw the bolt in half way. Feel near to the stickers to ensure you find the hole.



6. Place the headboard legs on to the headboard bolts, adjust the height and tighten the headboard bolts. Please ensure that the headboard sits on top of the mattress not below it.



7. Place your mattress on top of the bases. Re-adjust the headboard height to ensure the headboard sits on top of the mattress.



8. Finally, If you have drawers, please pull off the fabric holding the drawers in place. A firm tug at the fabric should do the trick. Please ensure the fabric is removed from the inside of the drawer with a firm tug. You may wish to use a scissors.