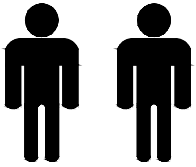
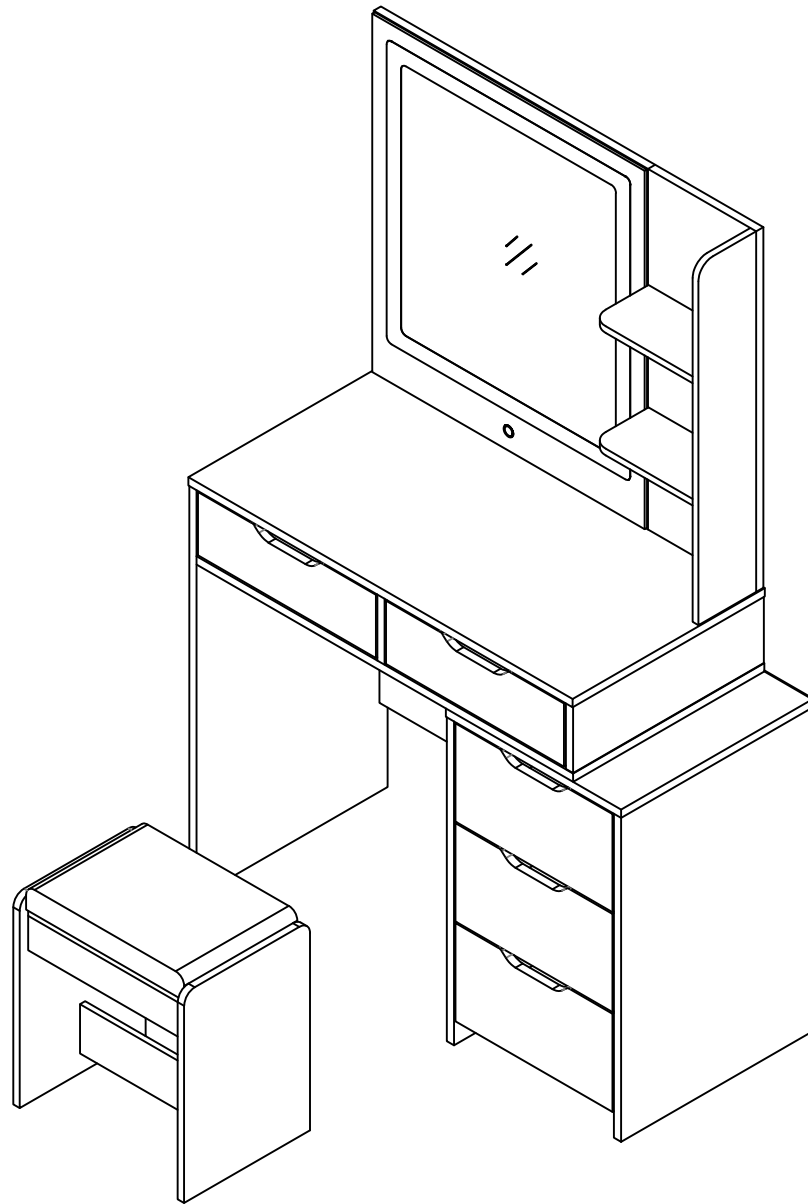


2 hours



2 People



CUSTOMER FIRST, SERVICE FOREMOST!


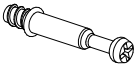

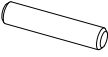

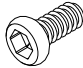



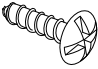
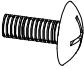



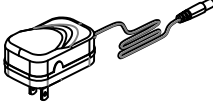
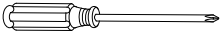
ANY QUESTIONS OR ISSUES?

CONTACT US!

REPLY WITHIN 24 HOURS ON WEEKDAYS!

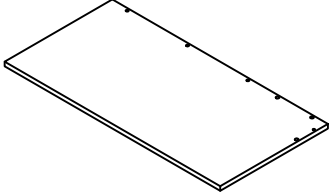
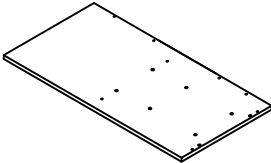
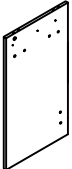
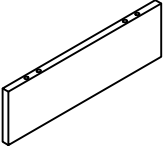
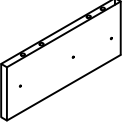
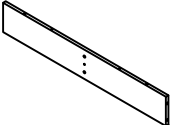
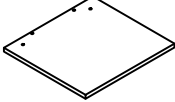
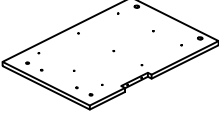
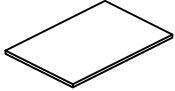
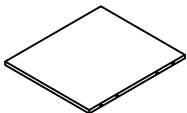


# Fittings

 <p><b>Ax69+5</b> ø15x10mm</p>	 <p><b>Bx69+2</b> ø6x35mm</p>	 <p><b>Cx12+1</b> ø3.5x12mm</p>
 <p><b>Dx49+2</b> ø6x30mm</p>	 <p><b>Ex16+1</b> ø5x40mm</p>	 <p><b>Fx14+1</b> M6x22mm</p>
 <p><b>Gx20+2</b> ø4x35mm</p>	 <p><b>Hx2</b></p>	 <p><b>Ix10</b></p>
 <p><b>Jx30+2</b> ø3x12mm</p>	 <p><b>Kx10+1</b> M4x12mm</p>	 <p><b>Lx1</b></p>
 <p><b>Mx1</b></p>	 <p><b>Nx1+1</b></p>	 <p><b>Ox1</b></p>
 <p><b>x1</b></p>		

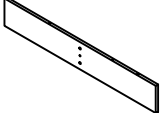
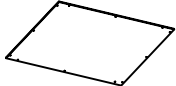
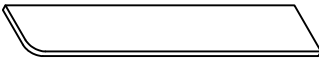
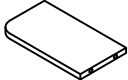
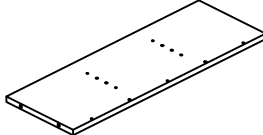
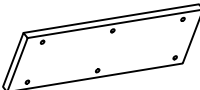

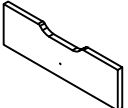
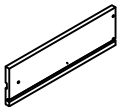
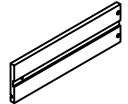
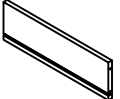
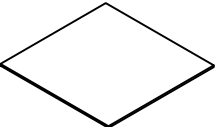
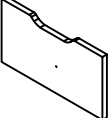
# Parts List

4/32

Label	Part Image	Description	Qty
①		Desk Board	1
②		Desk Bottom Board	1
③		Desk Left Side Board	1
④		Desk Right Side Board	1
⑤		Middle Vertical Board	1
⑥		Desk Back Board	1
⑦		Dresser Top Board	1
⑧		Dresser Left Side Board	1
⑨		Dresser Right Side Board	1
⑩		Dresser Bottom Board	1

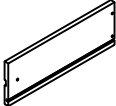
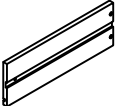
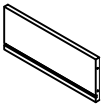
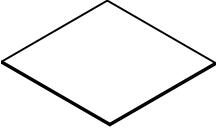
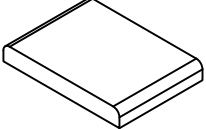
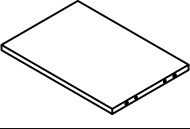
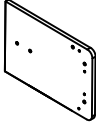
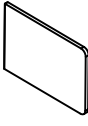
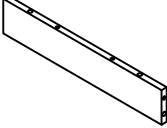
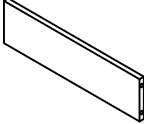
# Parts List

5/32

Label	Part Image	Description	Qty
⑪		Connection Board	1
⑫		Dresser Back Board	1
⑬		Right Side Board	1
⑭		Storage Board	2
⑮		Back Board	1
⑯		Back Support Board	2
⑰		Mirror Board	1
⑱		Drawer Front Board of Desk	2
⑲		Drawer Left Side Board of Desk	2
⑳		Drawer Right Side Board of Desk	2
㉑		Drawer Back Board of Desk	2
㉒		Drawer Bottom Board of Desk	2
㉓		Drawer Front Board of Dresser	3

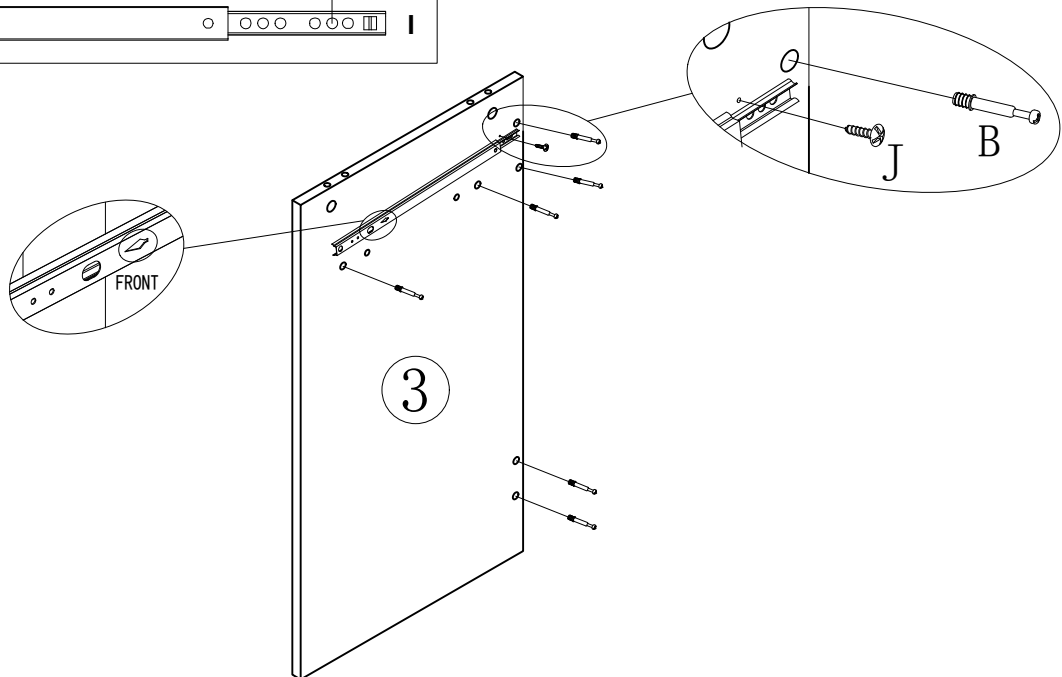
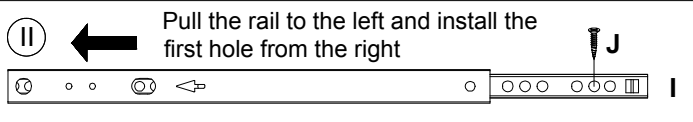
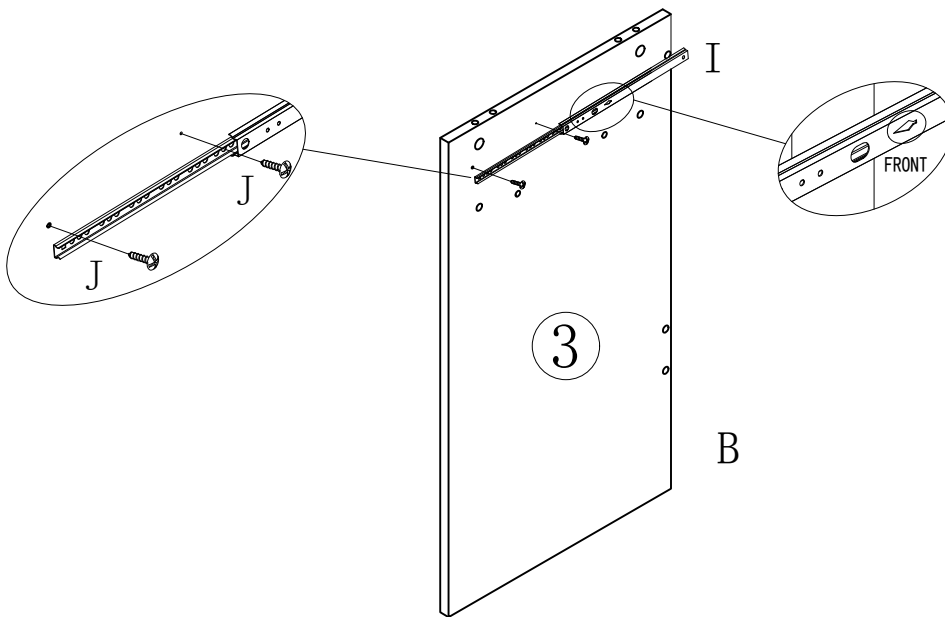
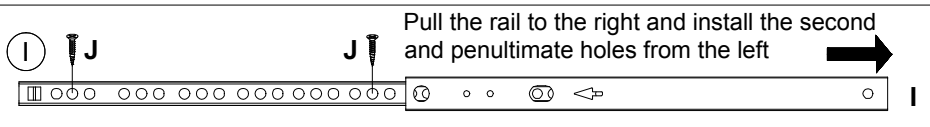
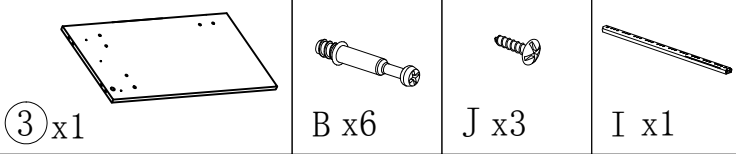
# Parts List

6/32

Label	Part Image	Description	Qty
②4		Drawer Left Side Board of Dresser	3
②5		Drawer Right Side Board of Dresser	3
②6		Drawer Back Board of Dresser	3
②7		Drawer Bottom Board of Dresser	3
②8		Stool Seat Cushion	1
②9		Stool Seat Plate	1
③0		Stool Left Side Board	1
③1		Stool Right Side Board	1
③2		Upper Slat of the Stool	2
③3		Lower Slat of the Stool	1

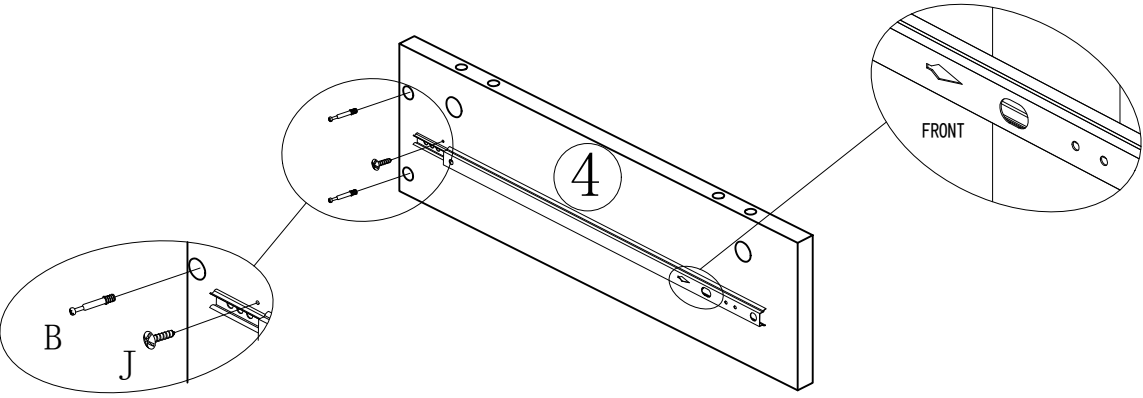
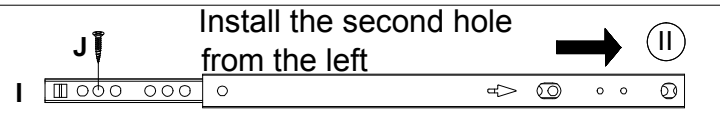
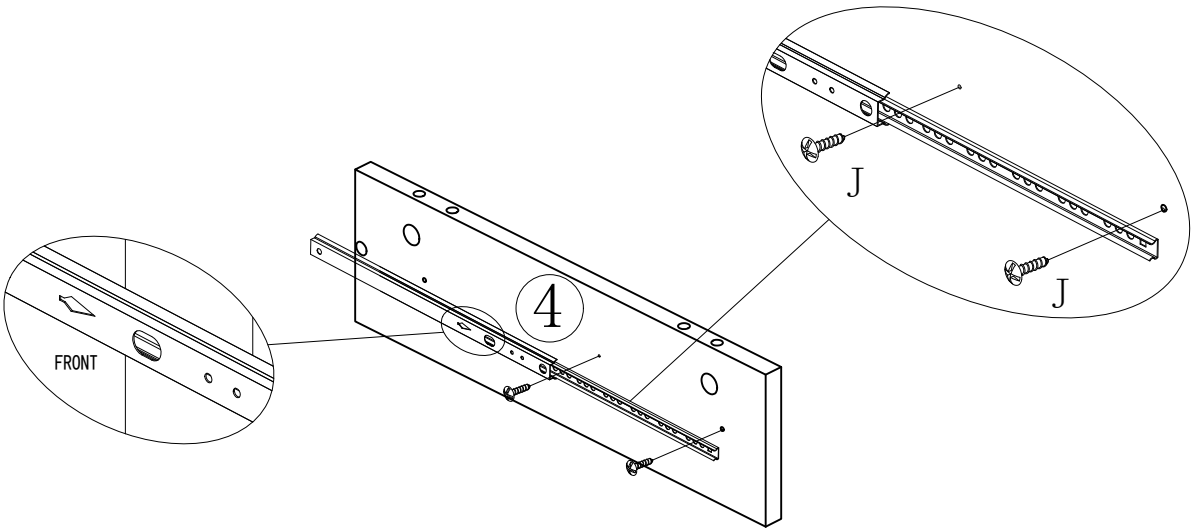
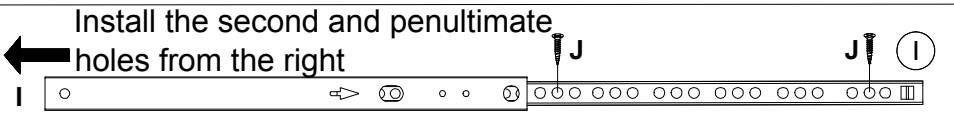
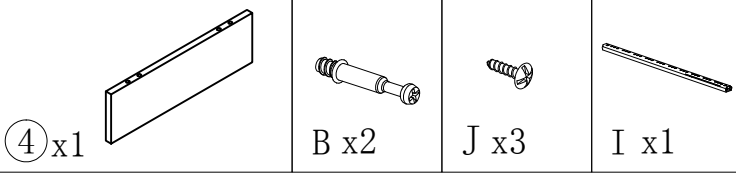
# Step 1

7/32



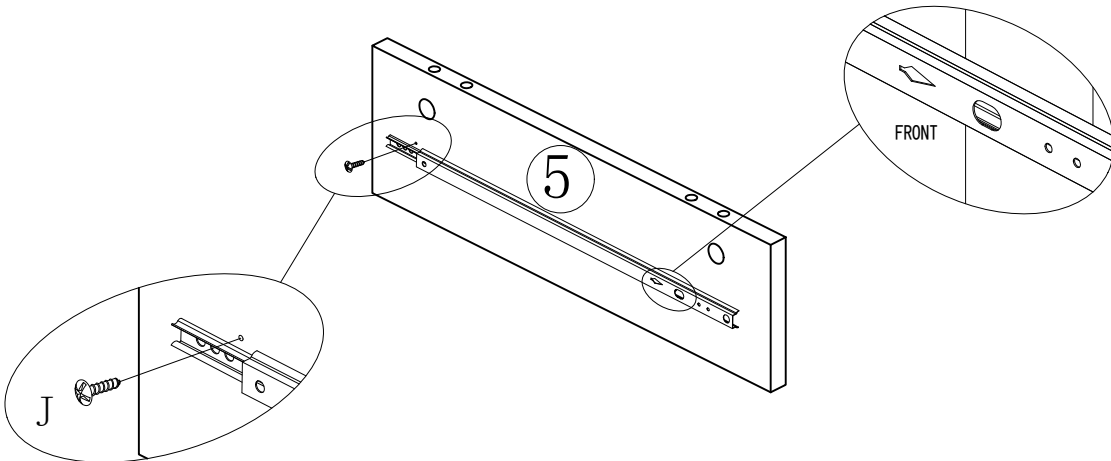
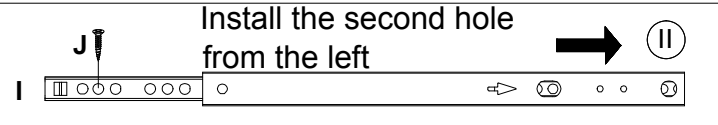
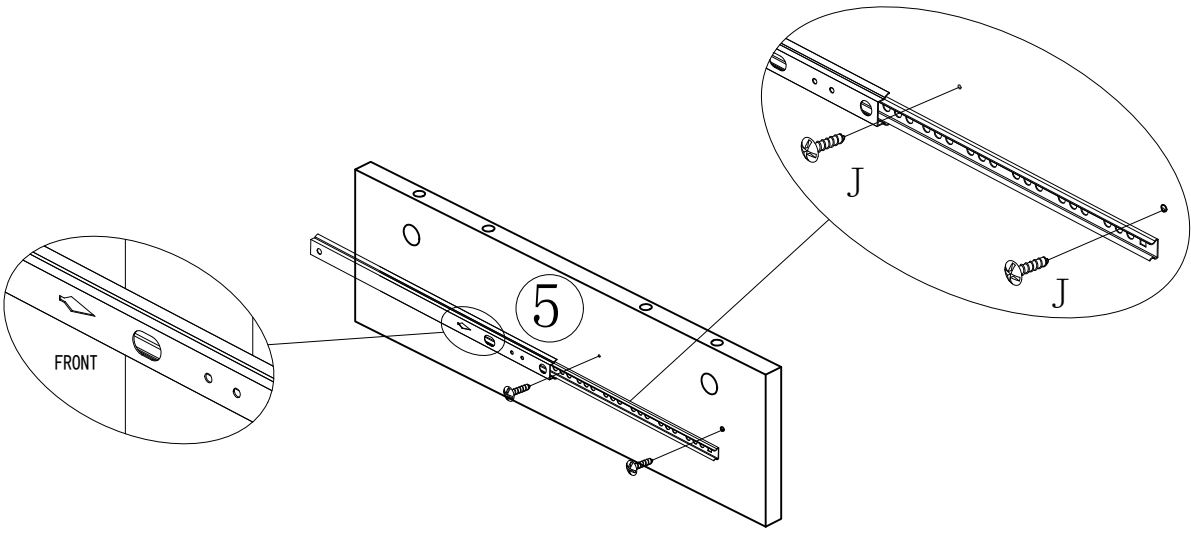
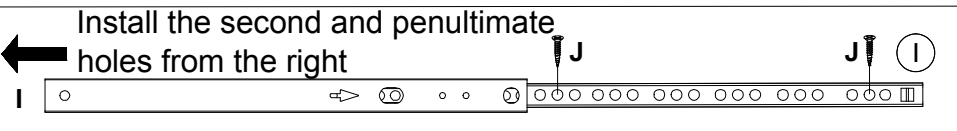
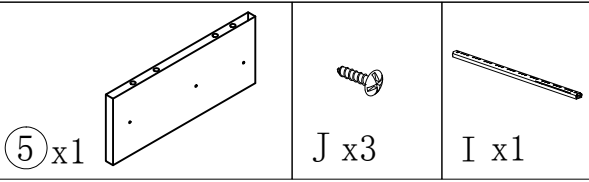
# Step2

8/32



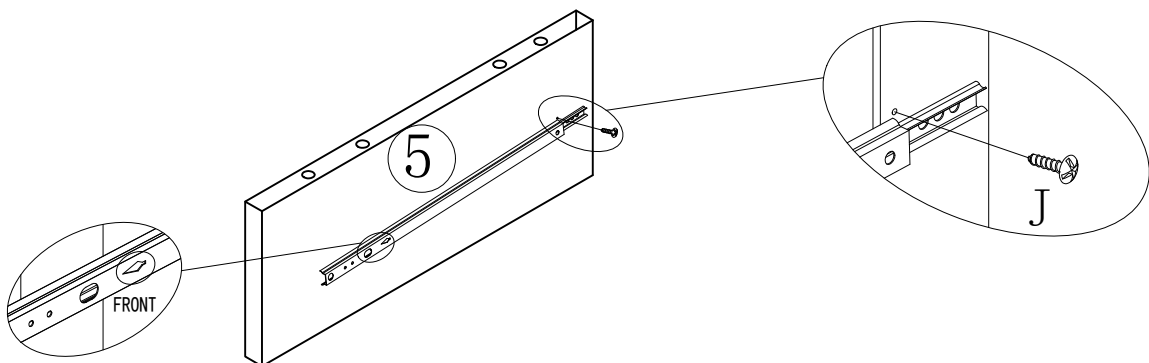
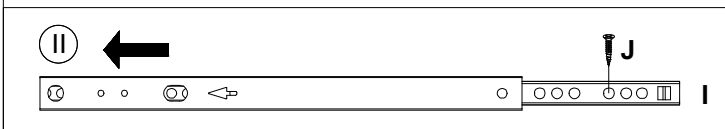
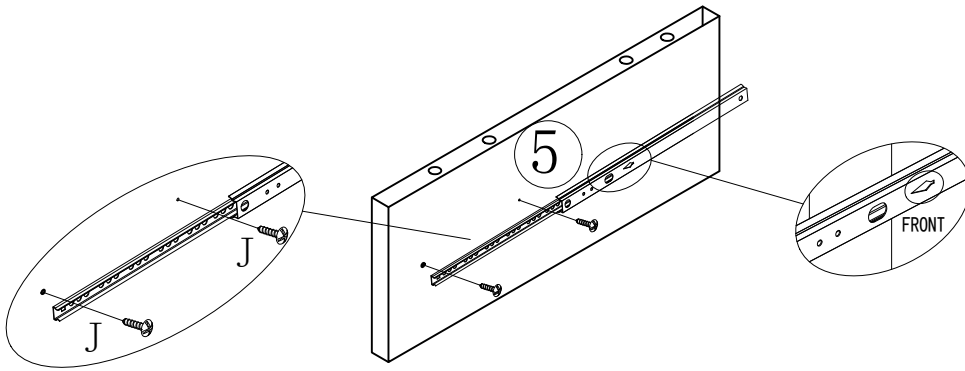
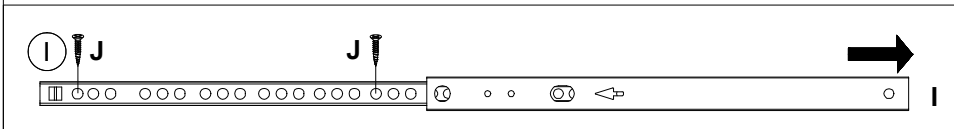
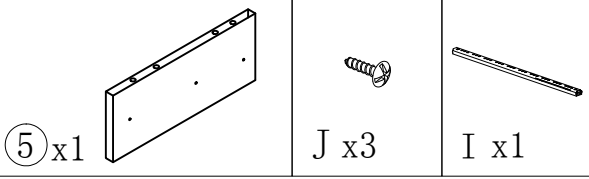
# Step3

9/32



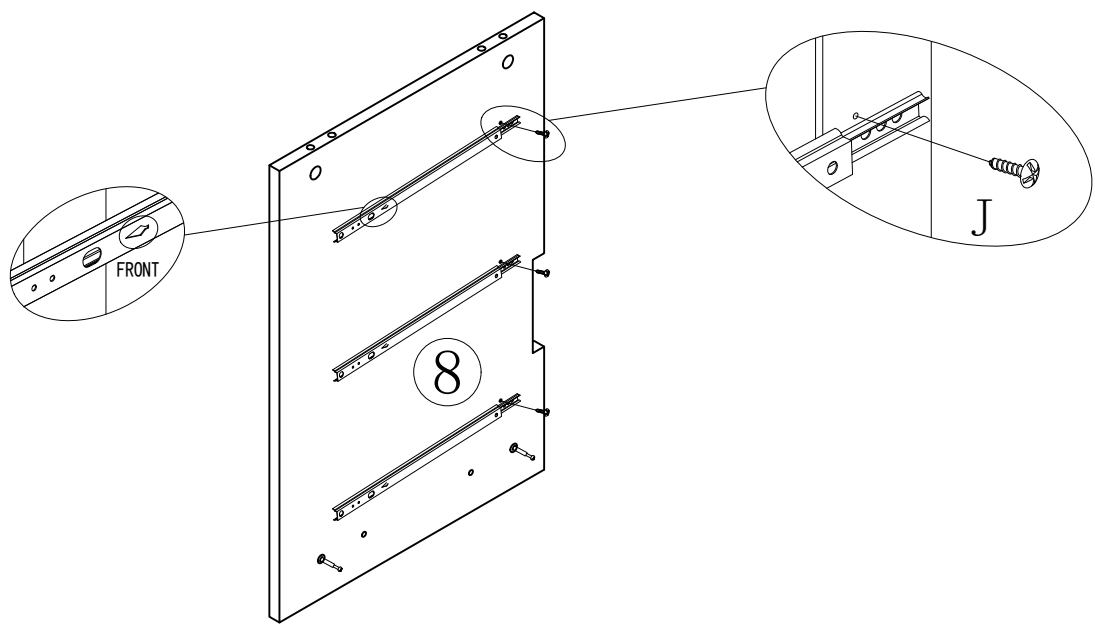
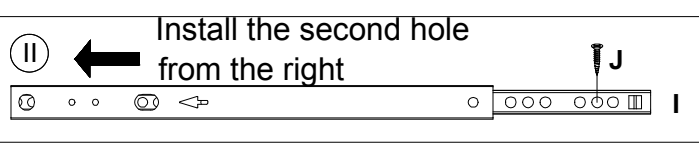
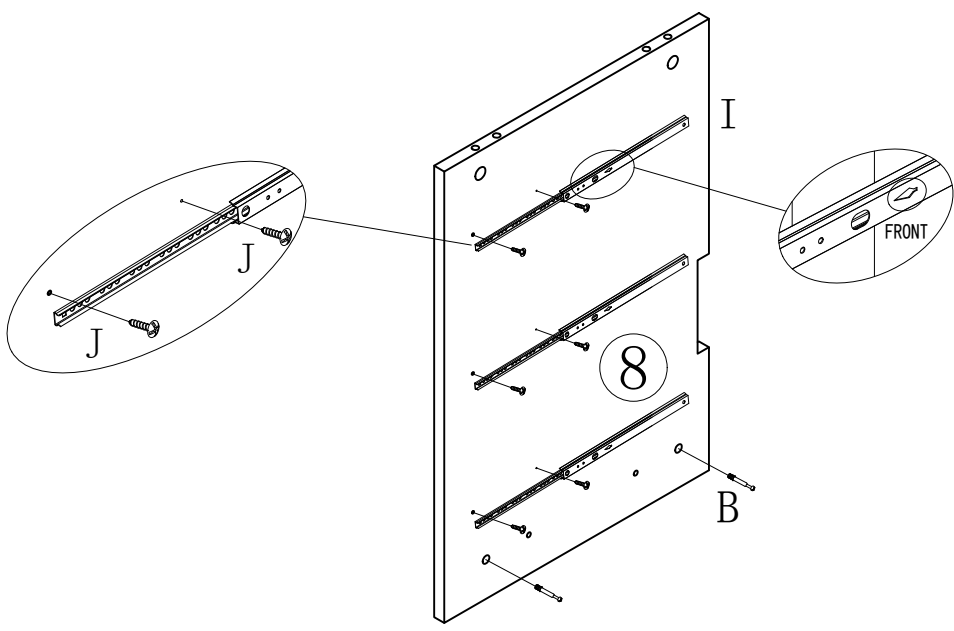
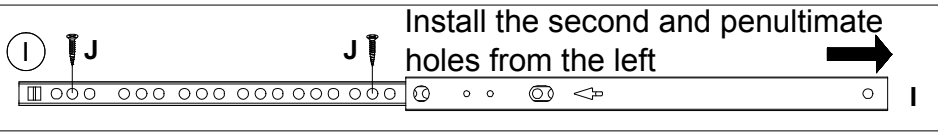
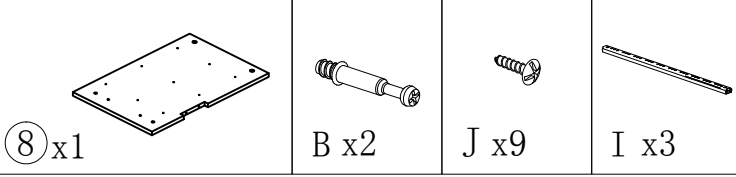
# Step4

10/32



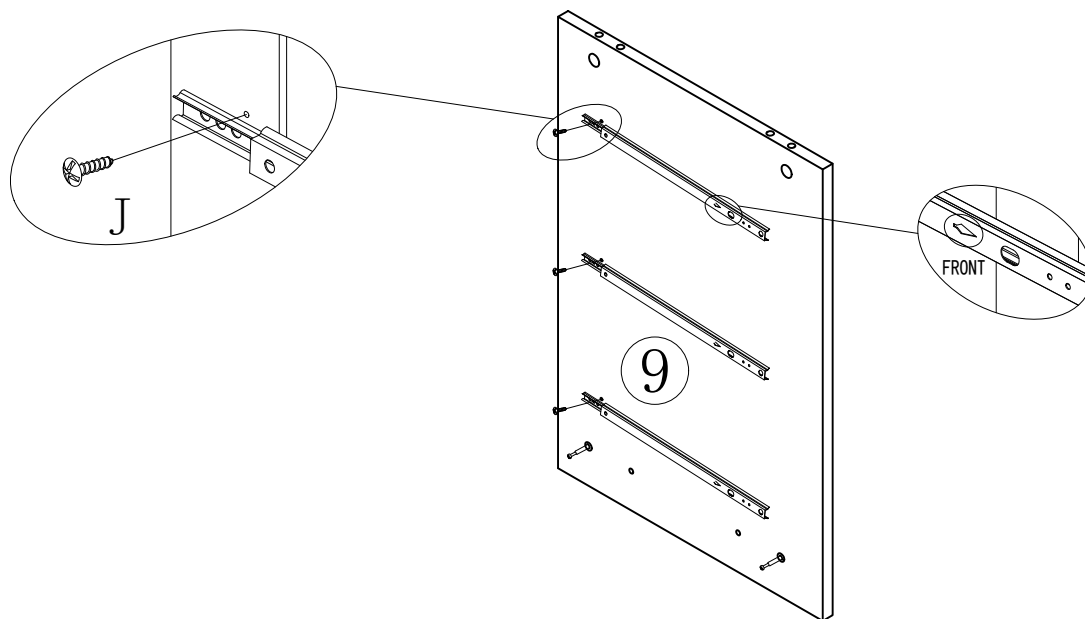
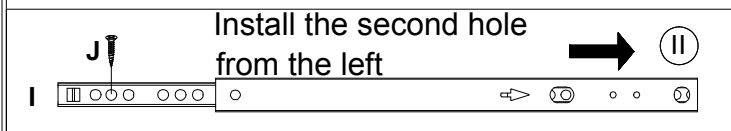
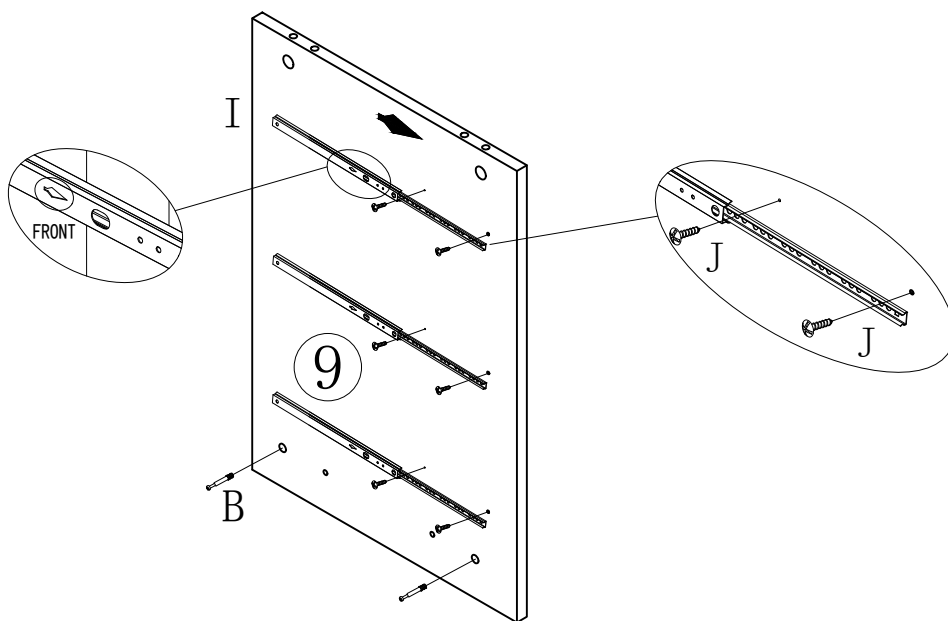
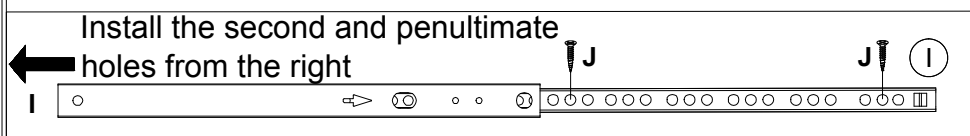
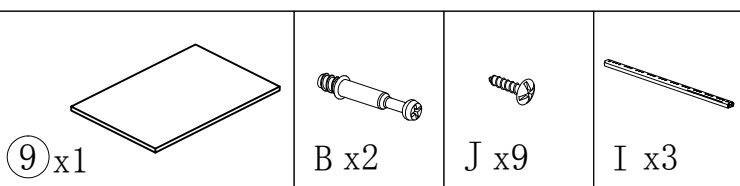
# Step5

11/32



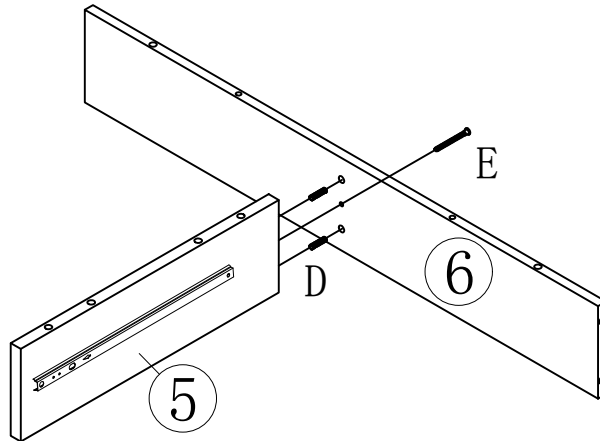
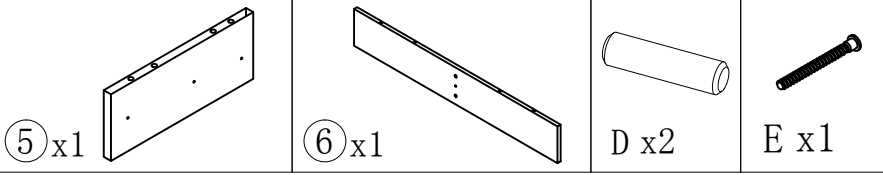
# Step6

12/32

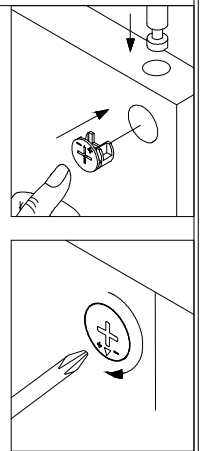
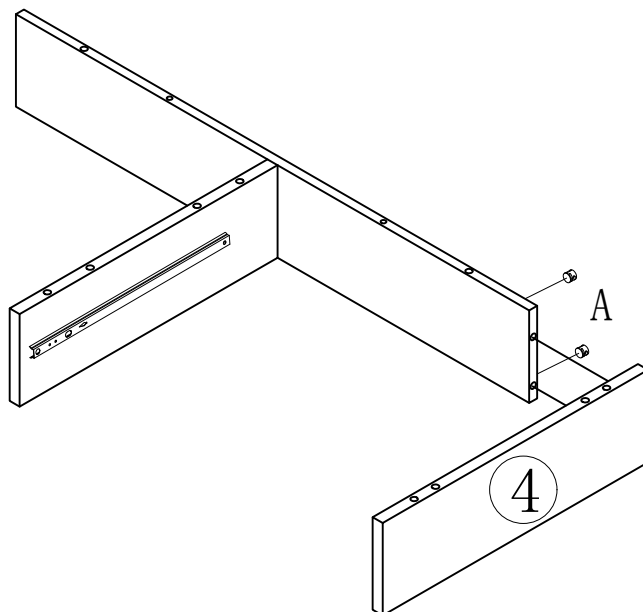
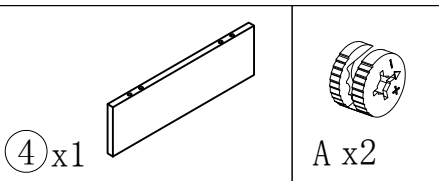


# Step7

13/32



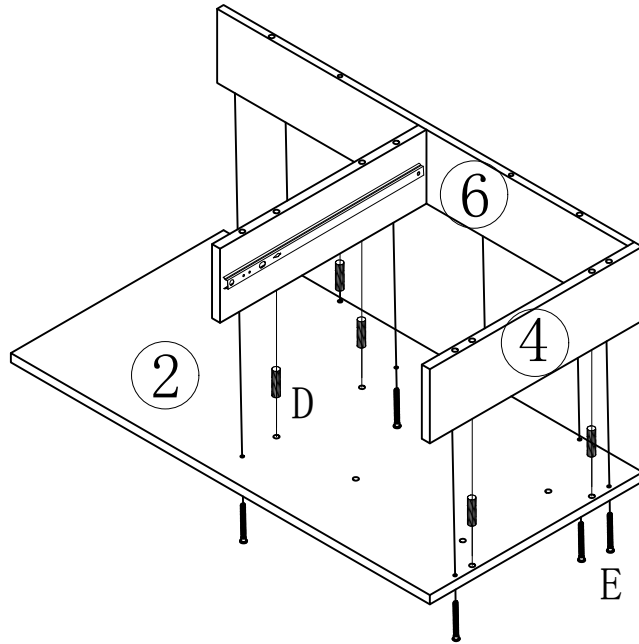
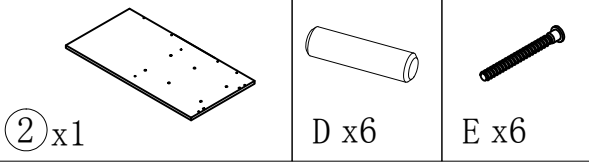
# Step8



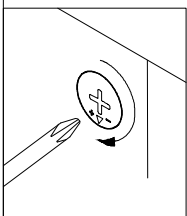
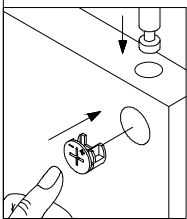
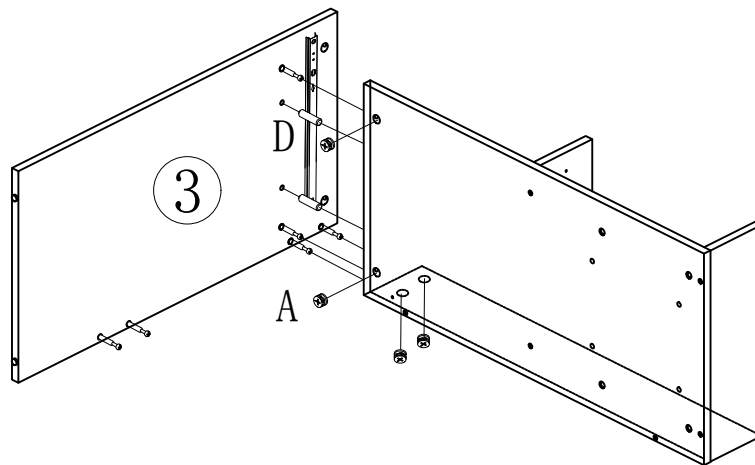
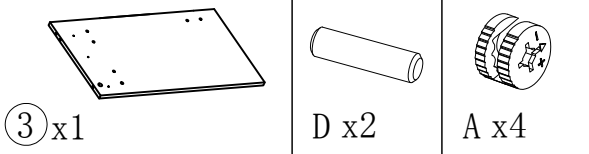
The eccenters need to be tightened, "+" sign for torsion direction.

# Step9

14/32

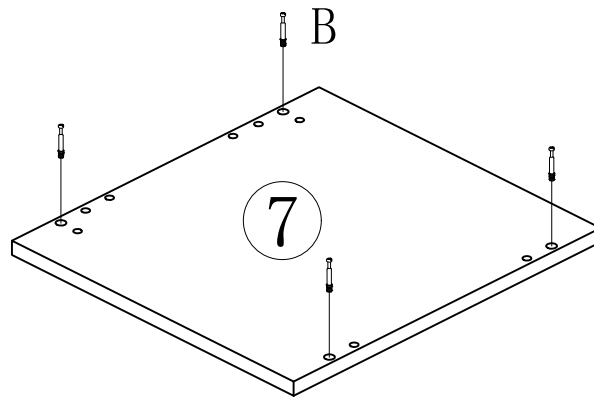
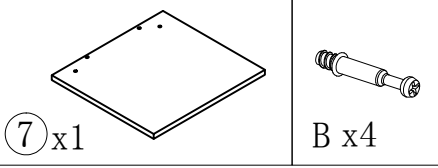


# Step10

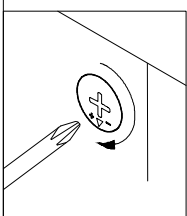
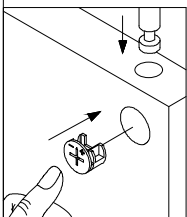
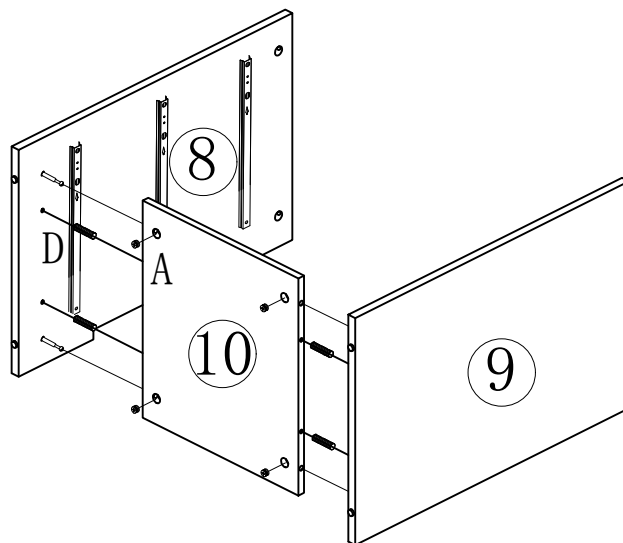
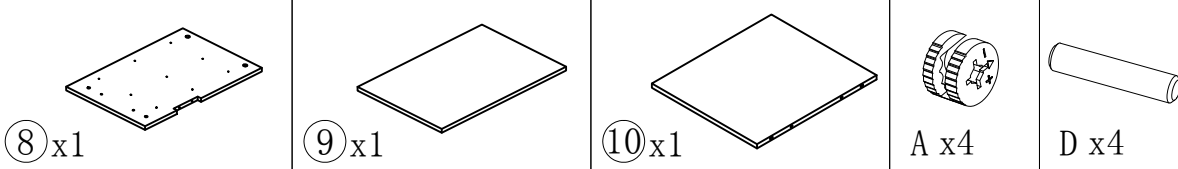


# Step11

15/32

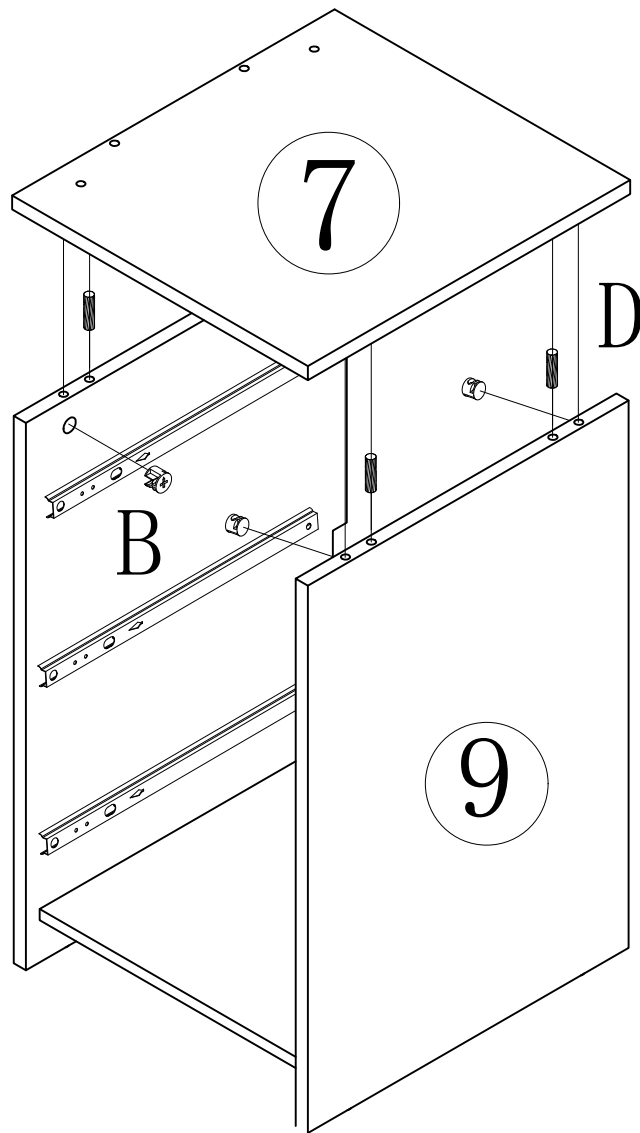
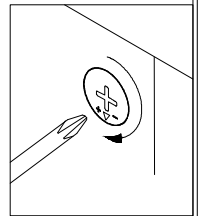
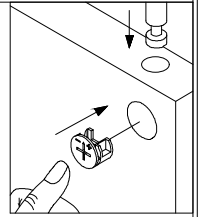
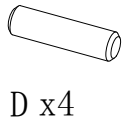
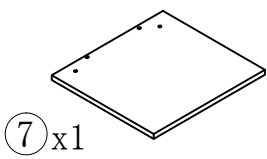


# Step12



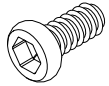
# Step13

16/32



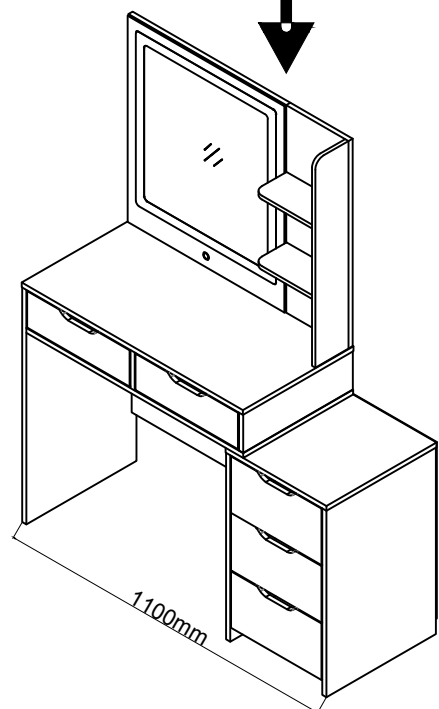
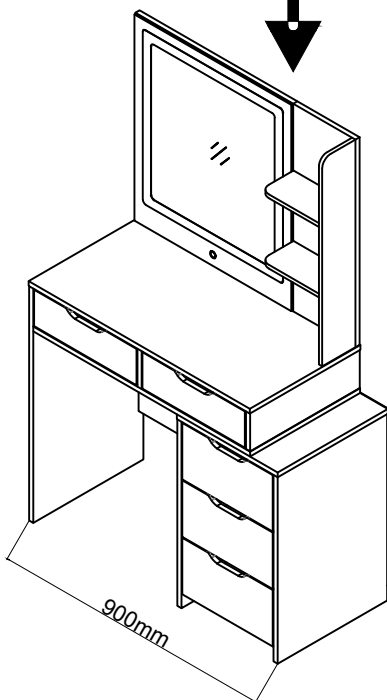
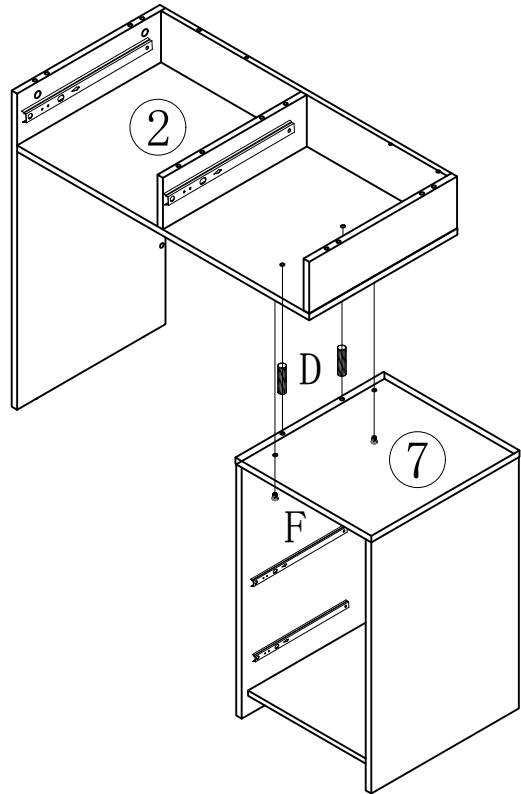
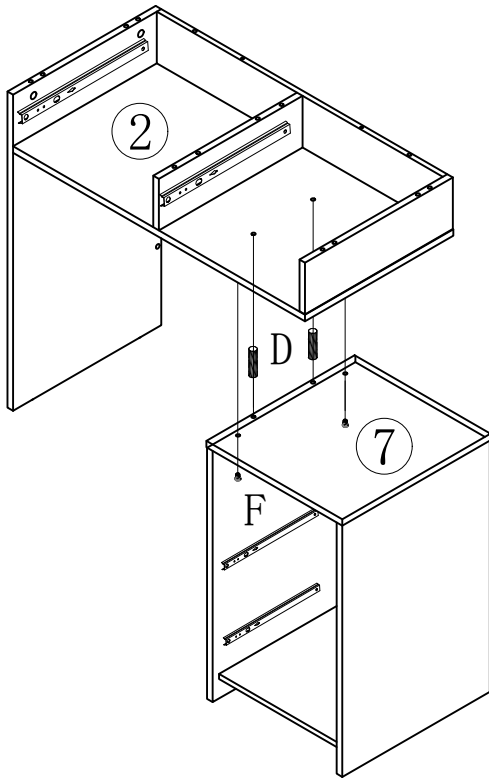


D x2



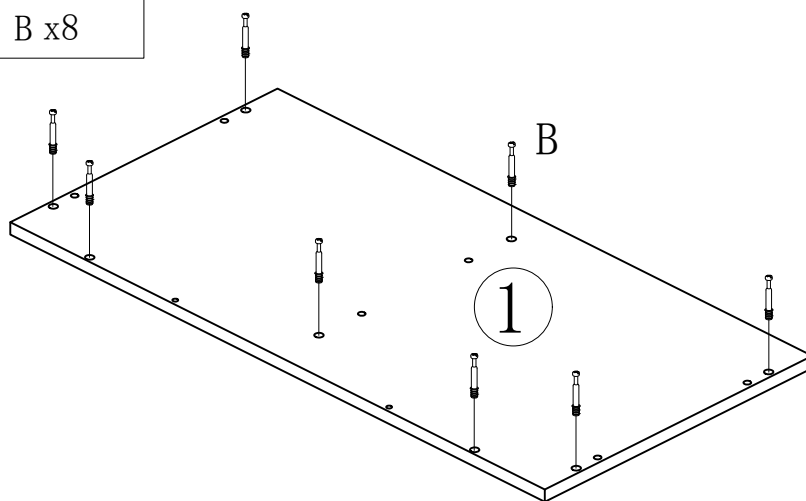
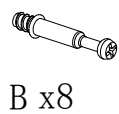
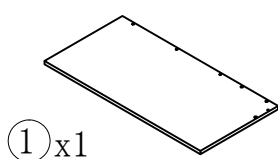
F x2

This vanity bench has two adjustable distances of 90cm and 110cm, you can choose according to your different spaces.

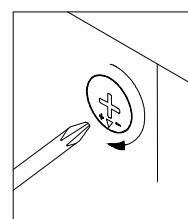
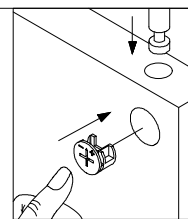
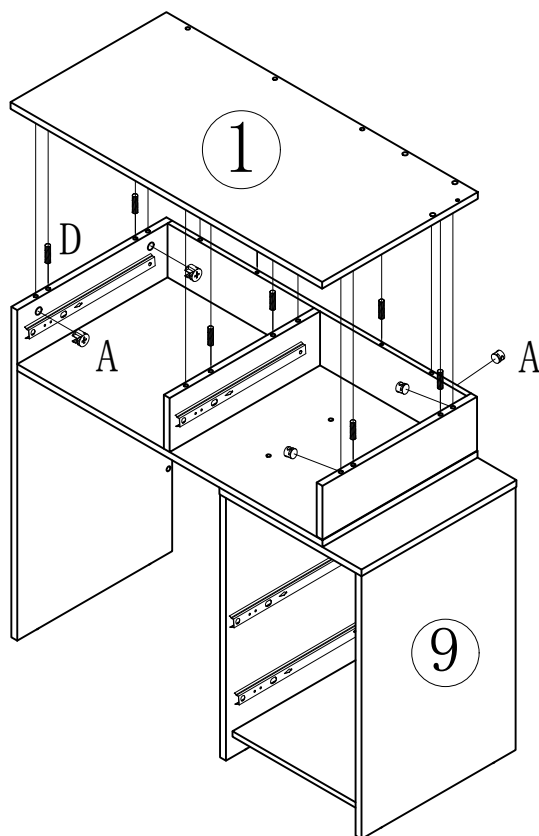


# Step15

18/32

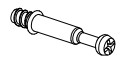


# Step16

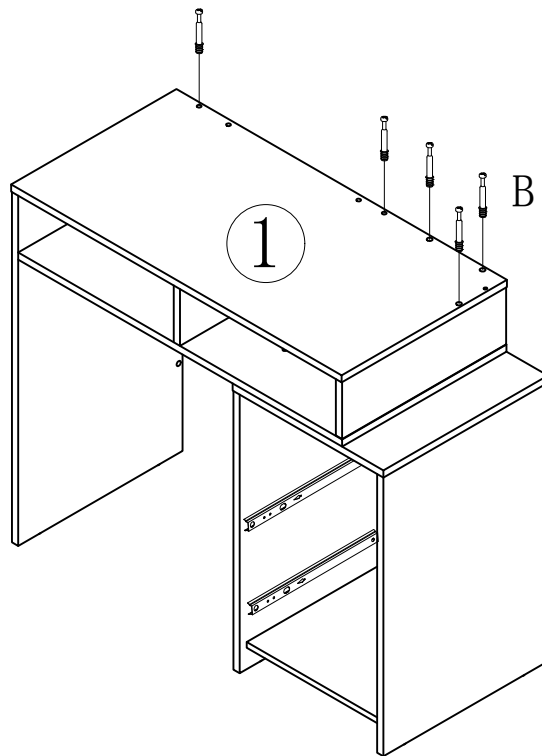


# Step17

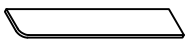
19/32



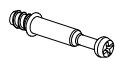
B x5



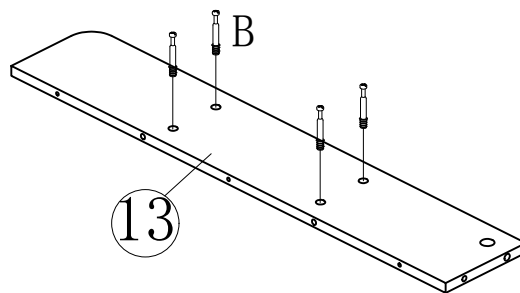
# Step18



13 x1



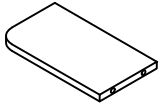
B x4



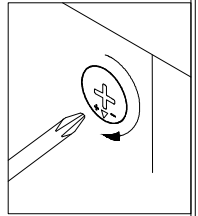
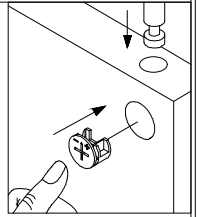
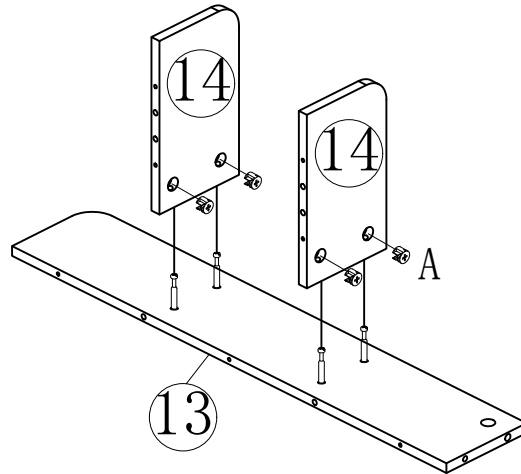
# Step19

20/32

14 x2

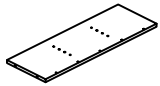


A x4

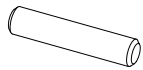


# Step20

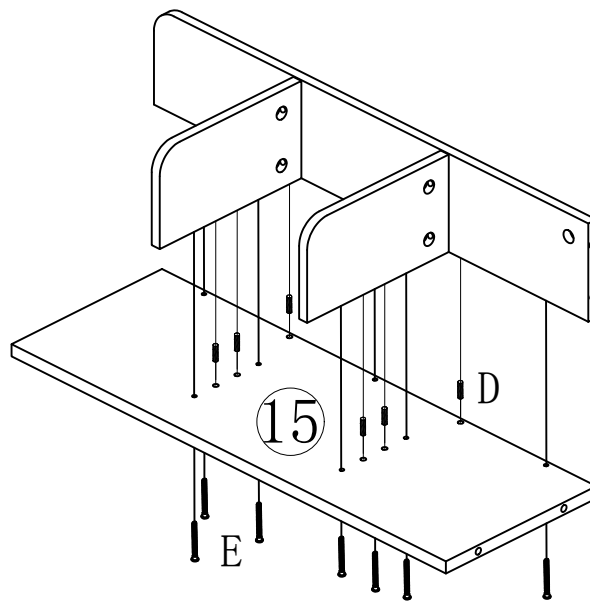
15 x1



D x6



E x7

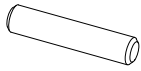


# Step21

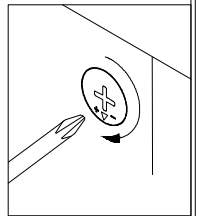
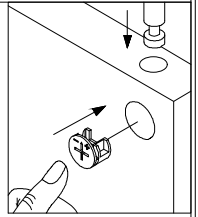
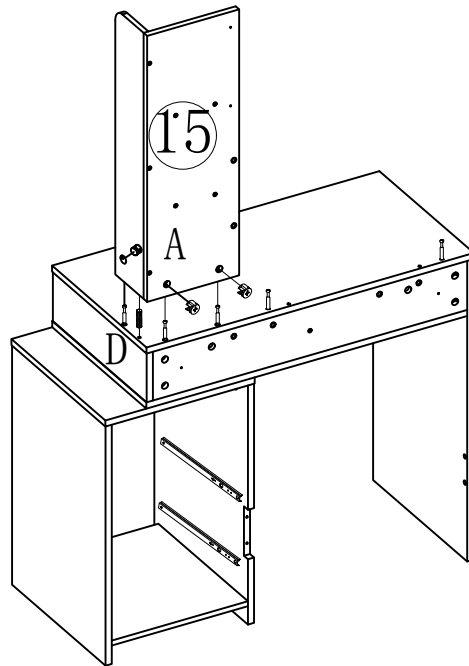
21/32



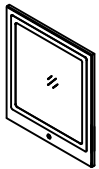
A x3



D x1



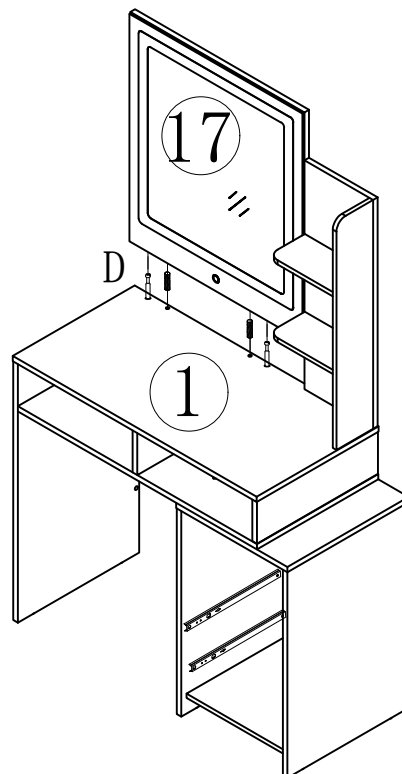
# Step22



17 x1

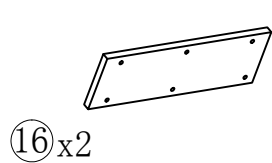
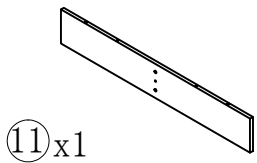


D x2

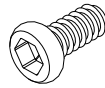


# Step23

22/32



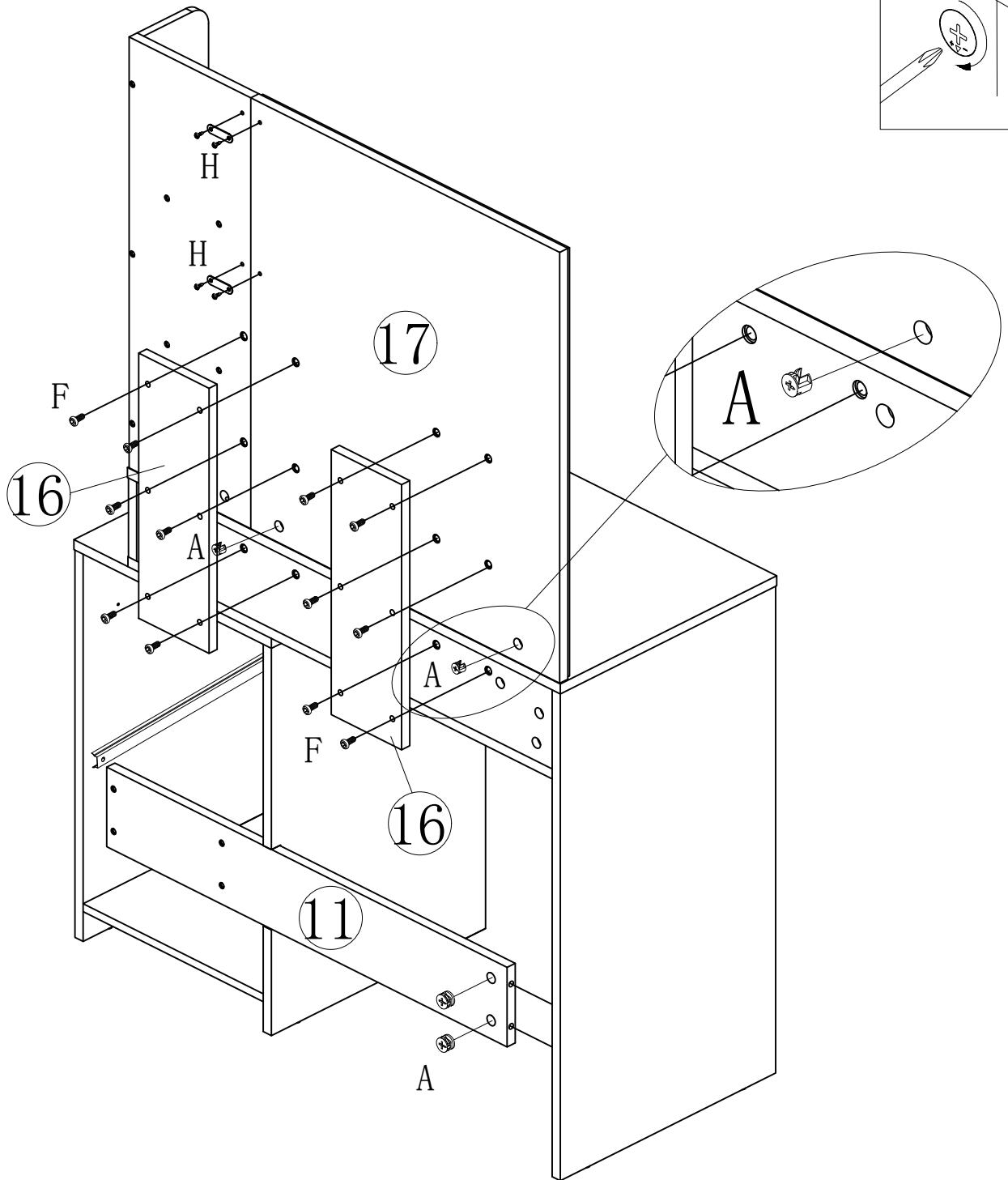
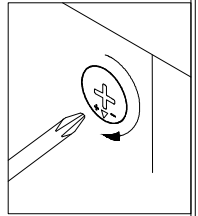
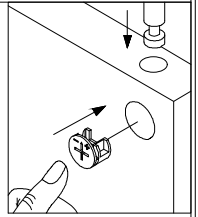
A x4



F x12



H x2



# Step24

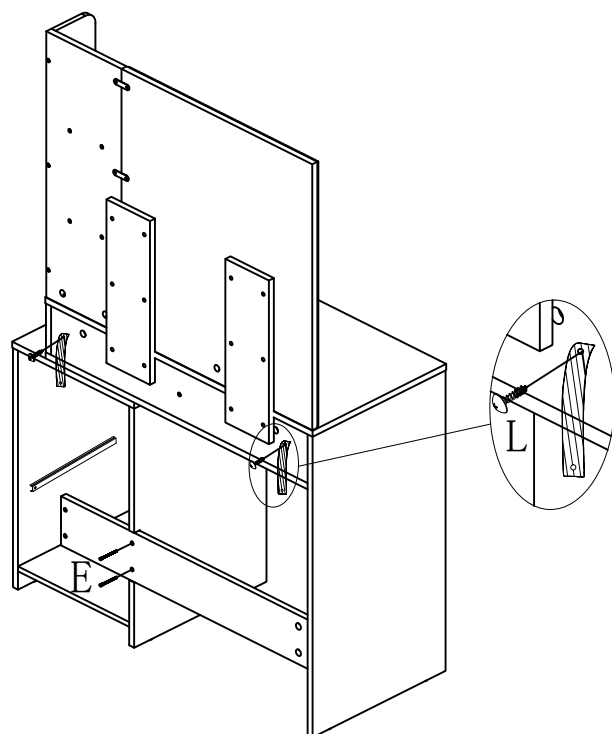
23/32



E x2

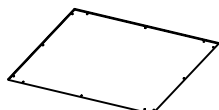


L x1

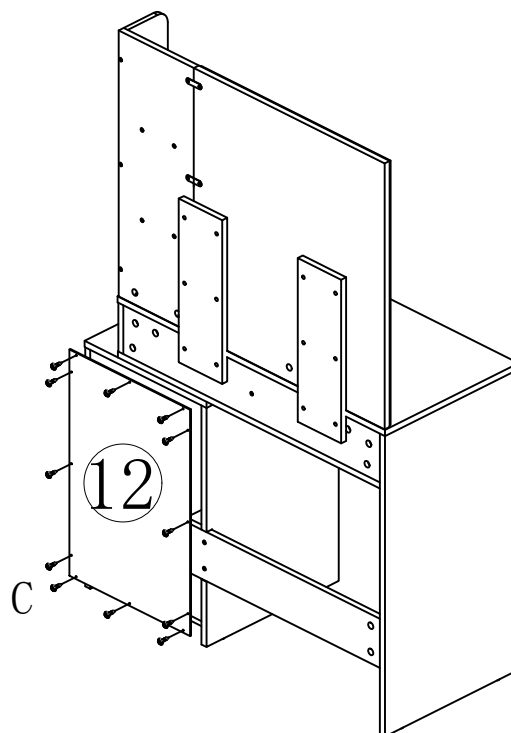


# Step25

⑫x1

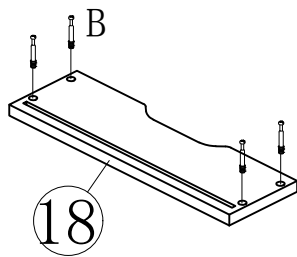
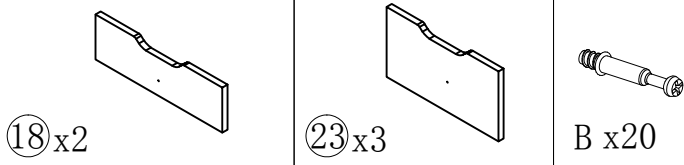


C x12

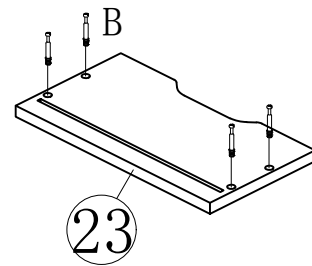


# Step26

24/32

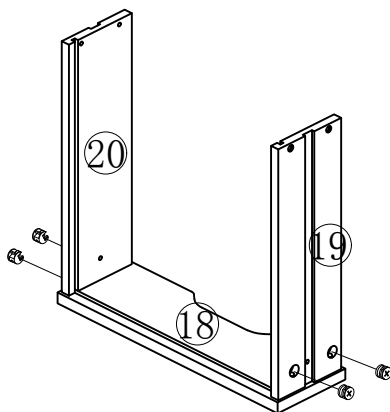
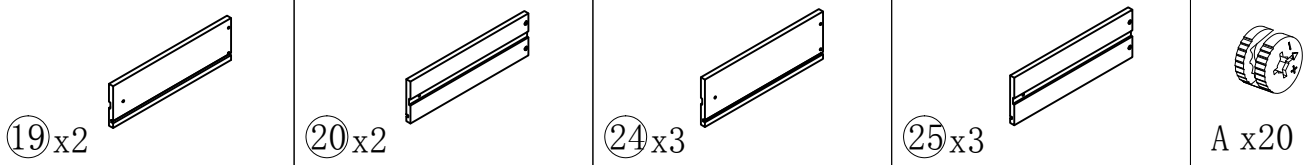


x2

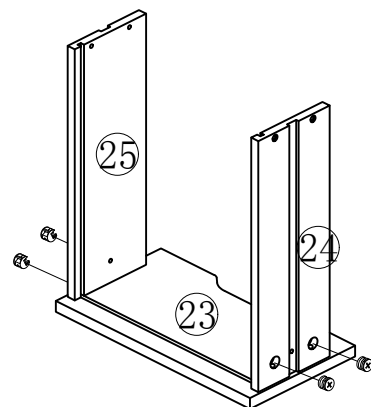


x3

# Step27



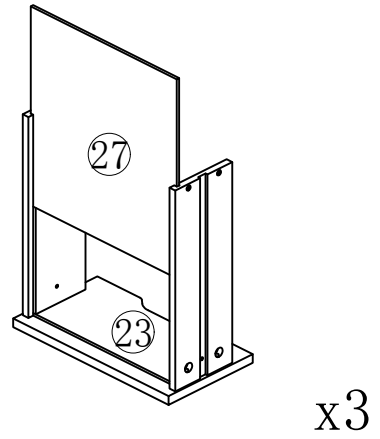
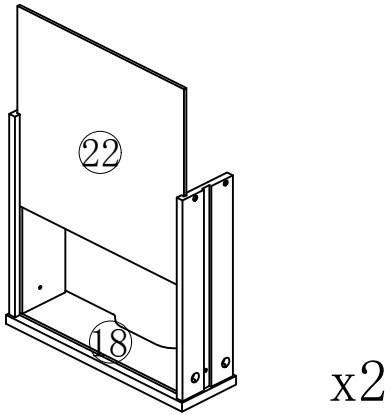
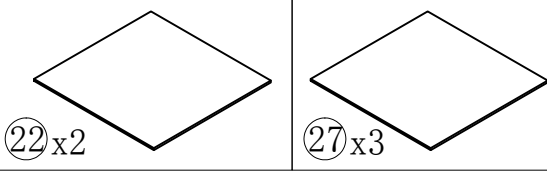
x2



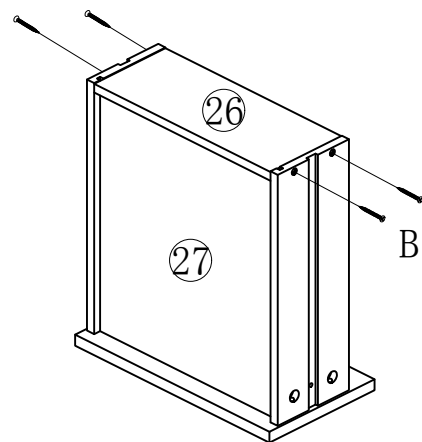
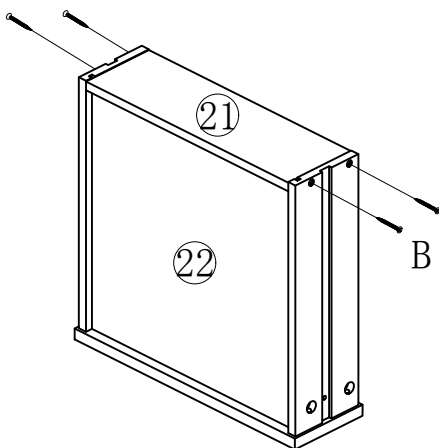
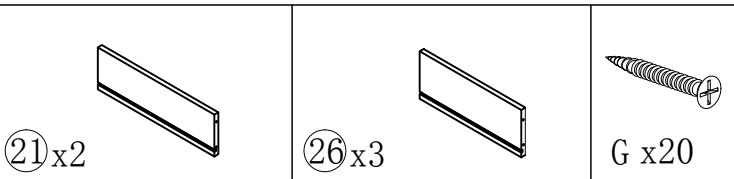
x3

# Step28

25/32



# Step29



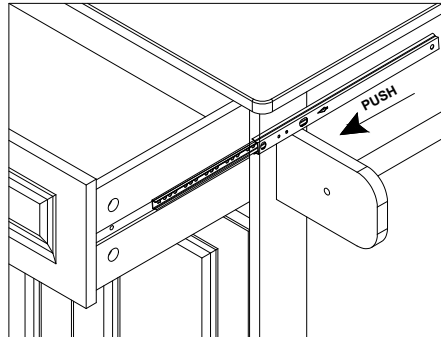
# Step30

26/32

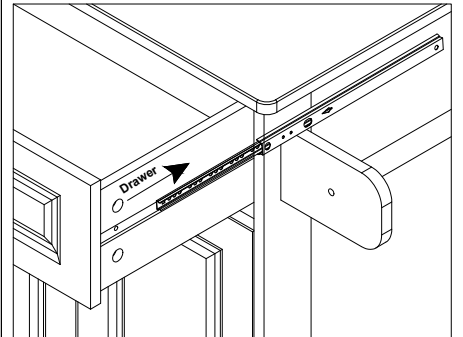


Kx10

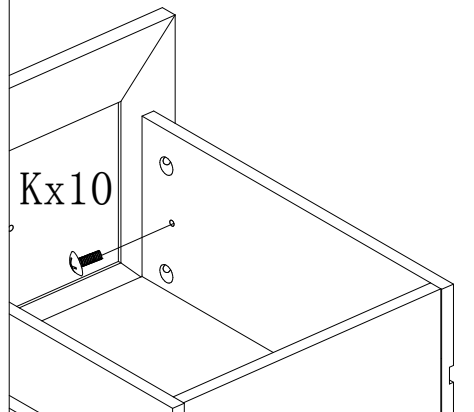
I pull out the rail from the cabinet frame



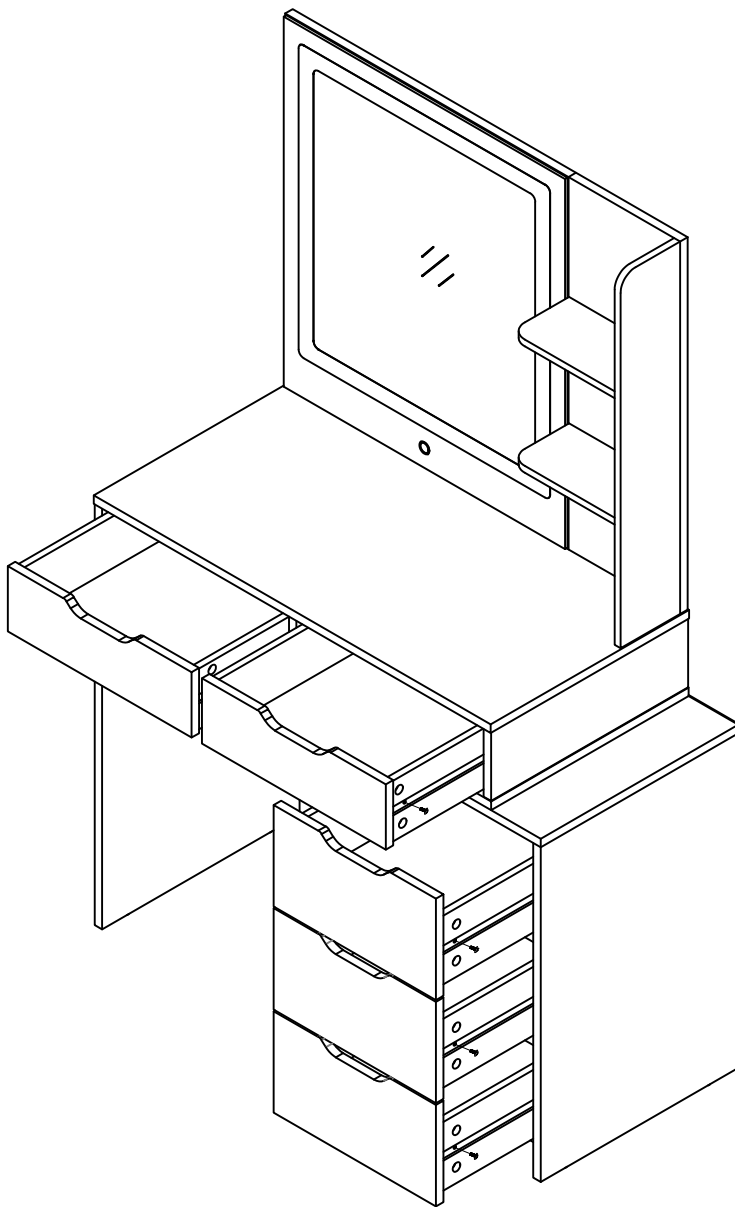
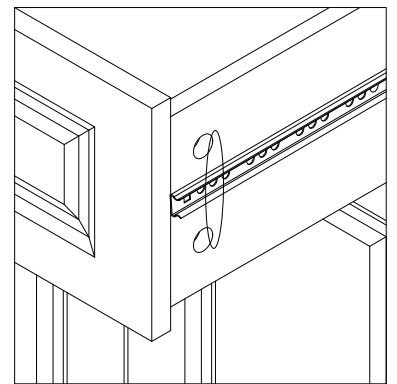
II Put the drawer in





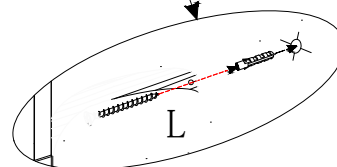
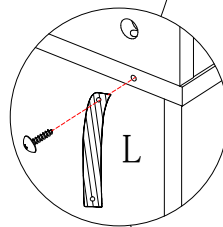
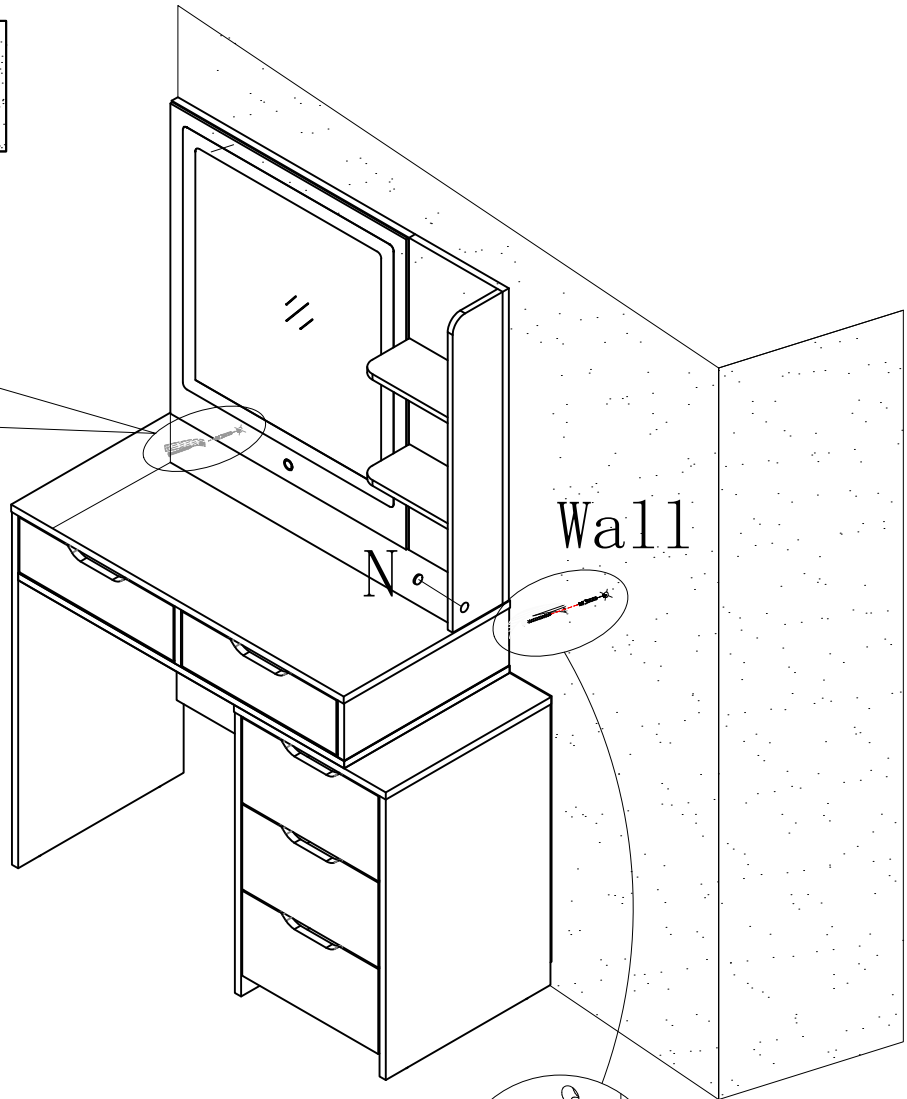
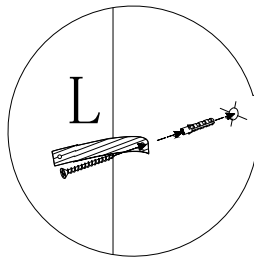
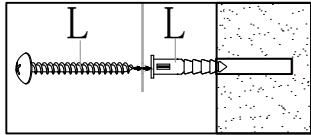
III align the hole circled in Figure IV with the hole of the drawer and screw the G to holes from the inside of the drawer



IV

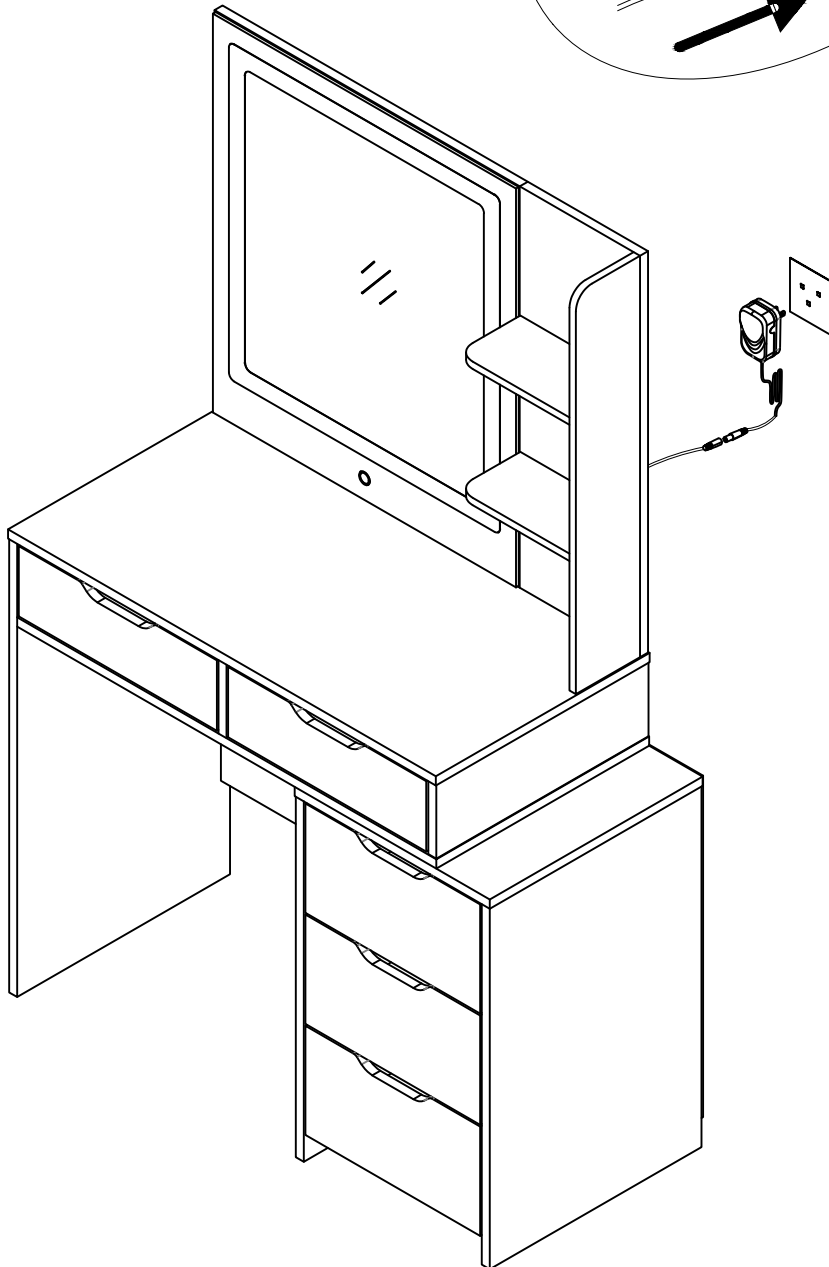
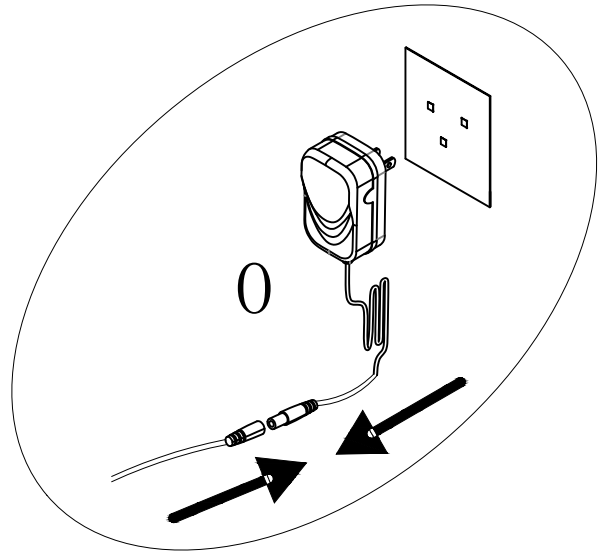


 Lx1	 Nx1
--	--



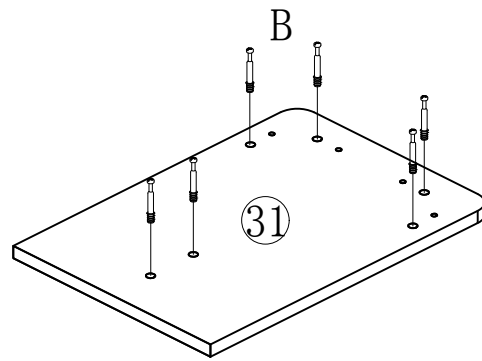
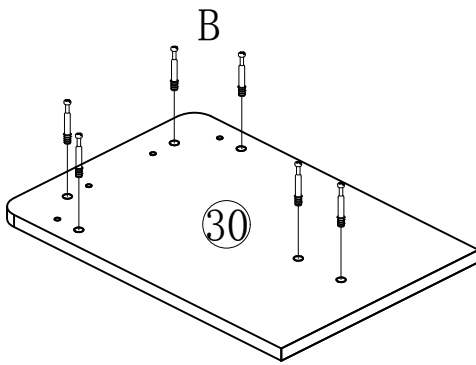
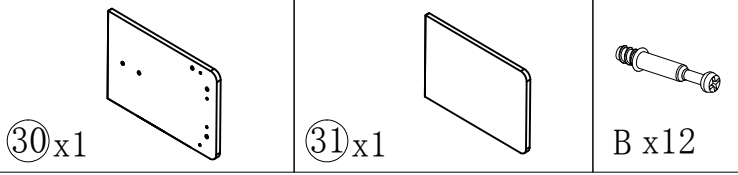


0x1

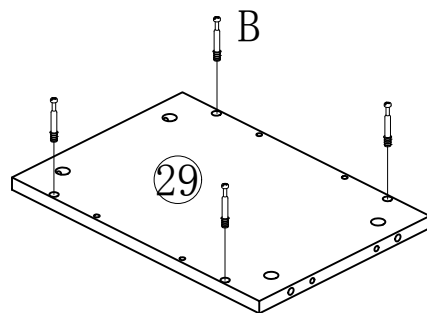
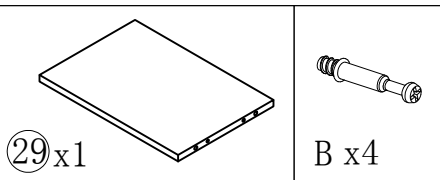


# Step33

29/32

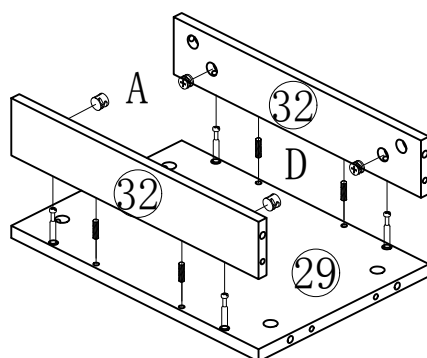
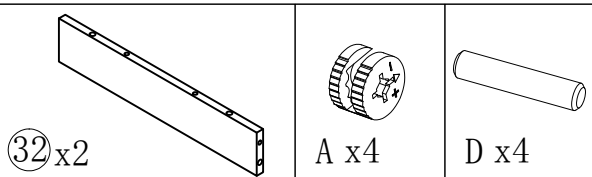


# Step34

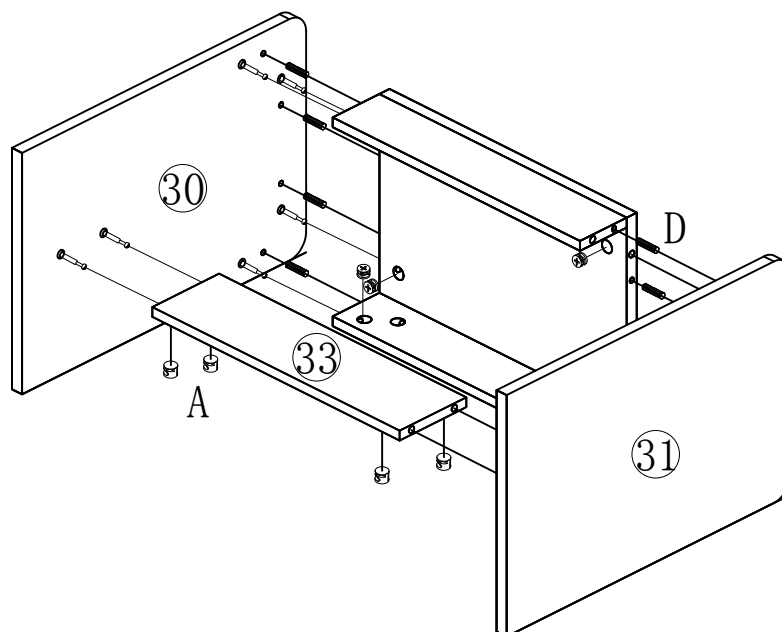
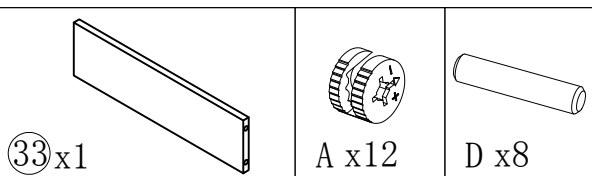


# Step35

30/32

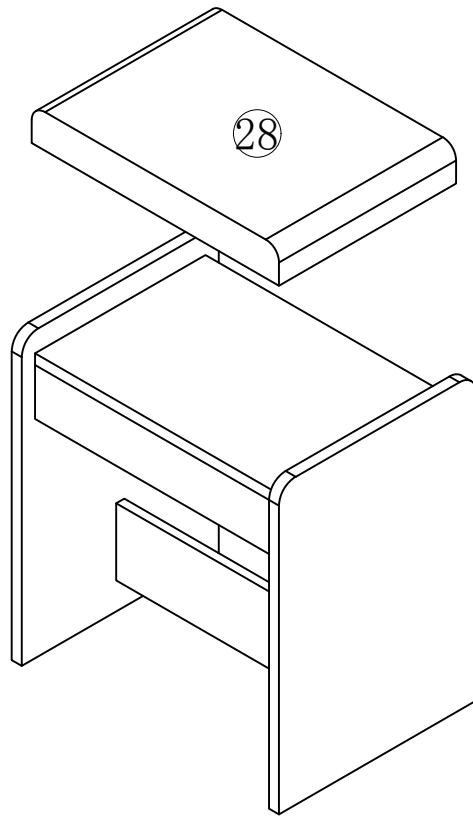
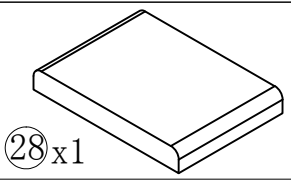


# Step36

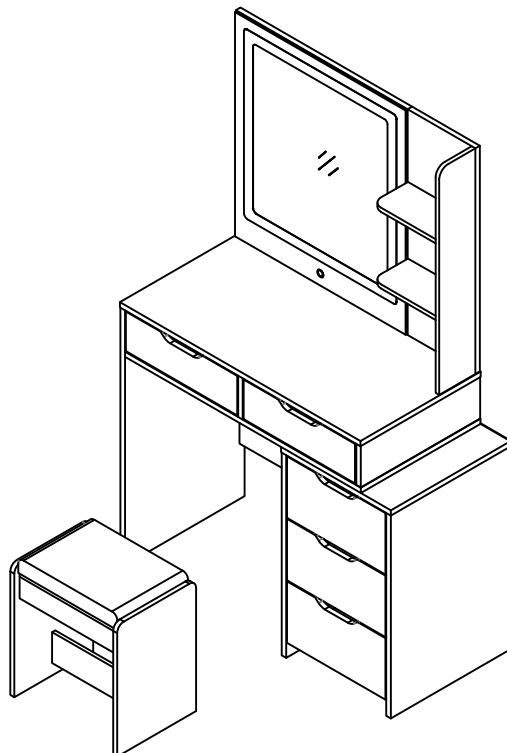


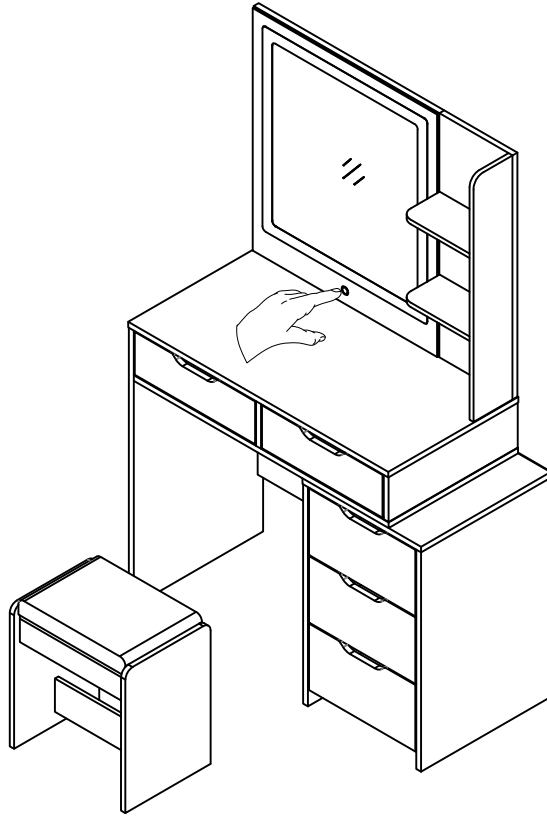
# Step37

31/32



# Step38





When the power is turned on, the switch key lights up in white.

- Touch the switch for the first time, the mirror light is Warm Yellow, and the switch key is blue.
- Touch the switch for the second time, the mirror light is Cold White.
- Touch the switch for the third time, the mirror light is Warm White.
- Touch the switch for the fourth time, the mirror light turns off, and the switch changes from blue to white.

Note: When the mirror light is turned on, you can long press the switch button to adjust the brightness of the mirror light, and the color of the light will not be changed.