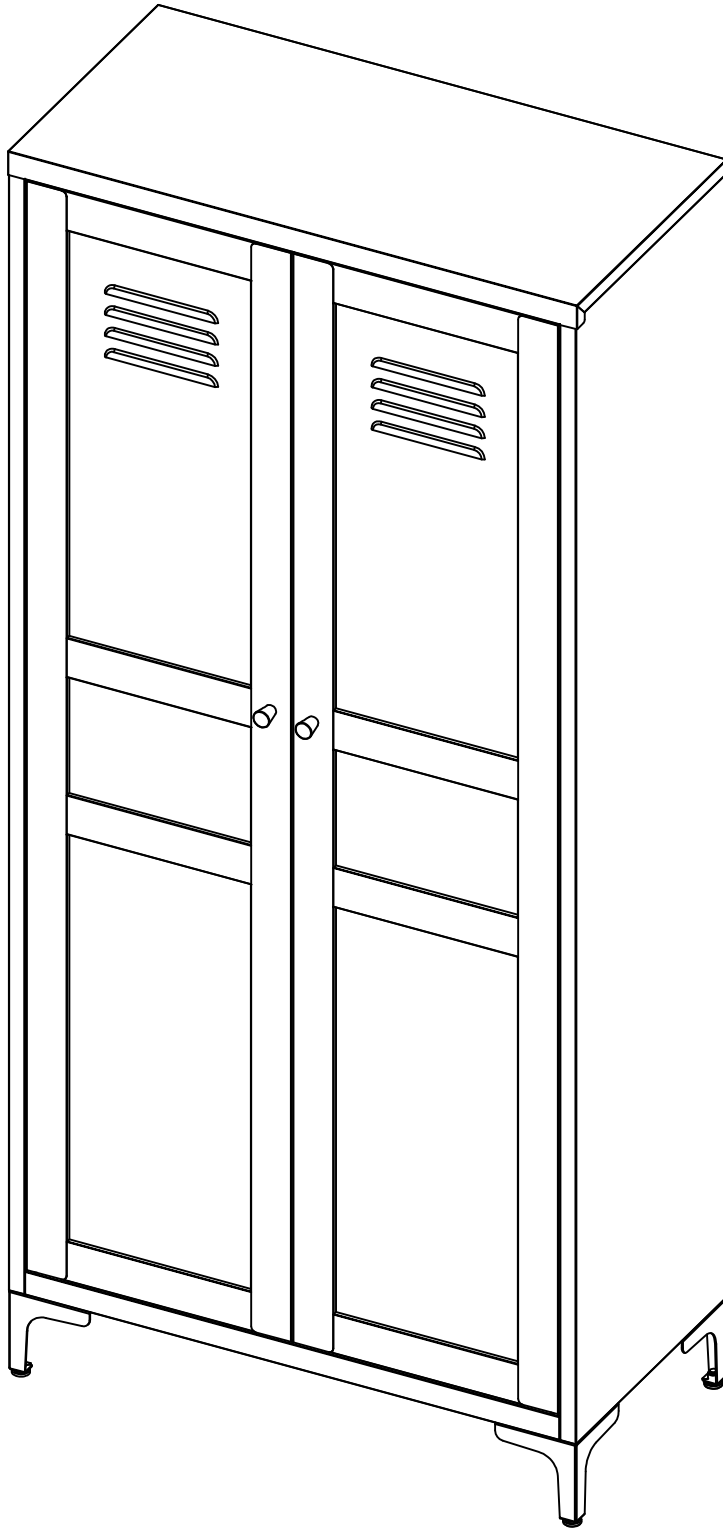
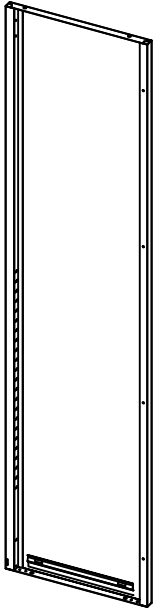


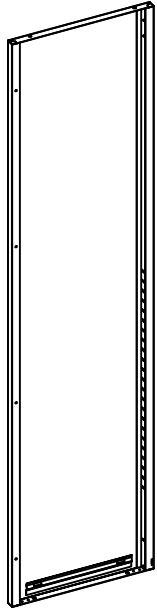
Installation Instructions



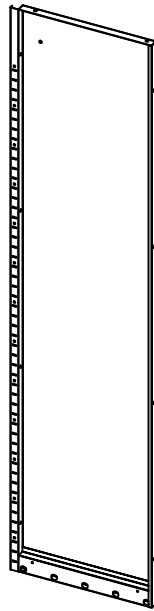
A×1



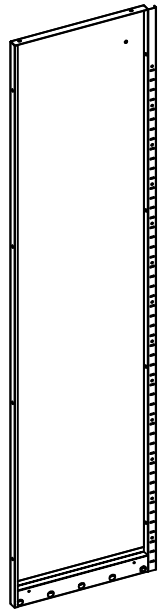
B×1



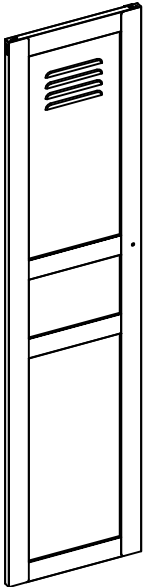
C×1



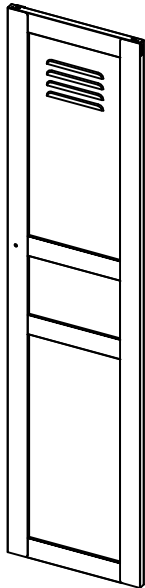
D×1



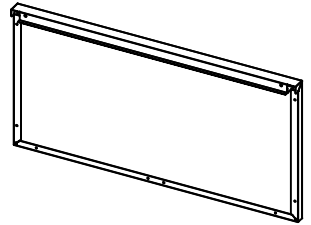
E×1



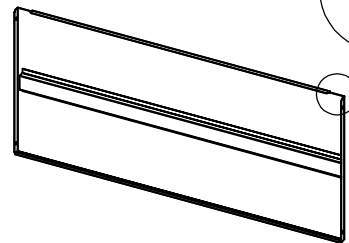
F×1



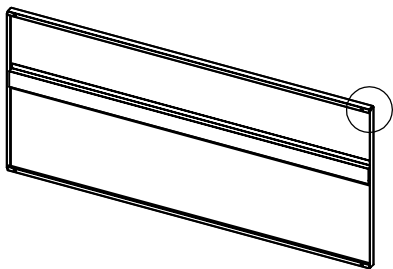
G×1



H×1



I×4



J×1



K×2



L×4



M×4



N×46



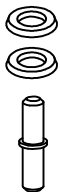
O×4



P×4



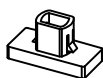
Q×2



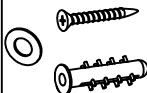
R×16



S×4



T×2



U×2



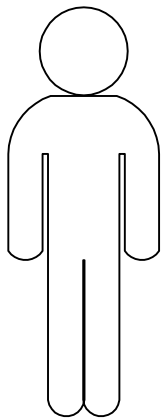
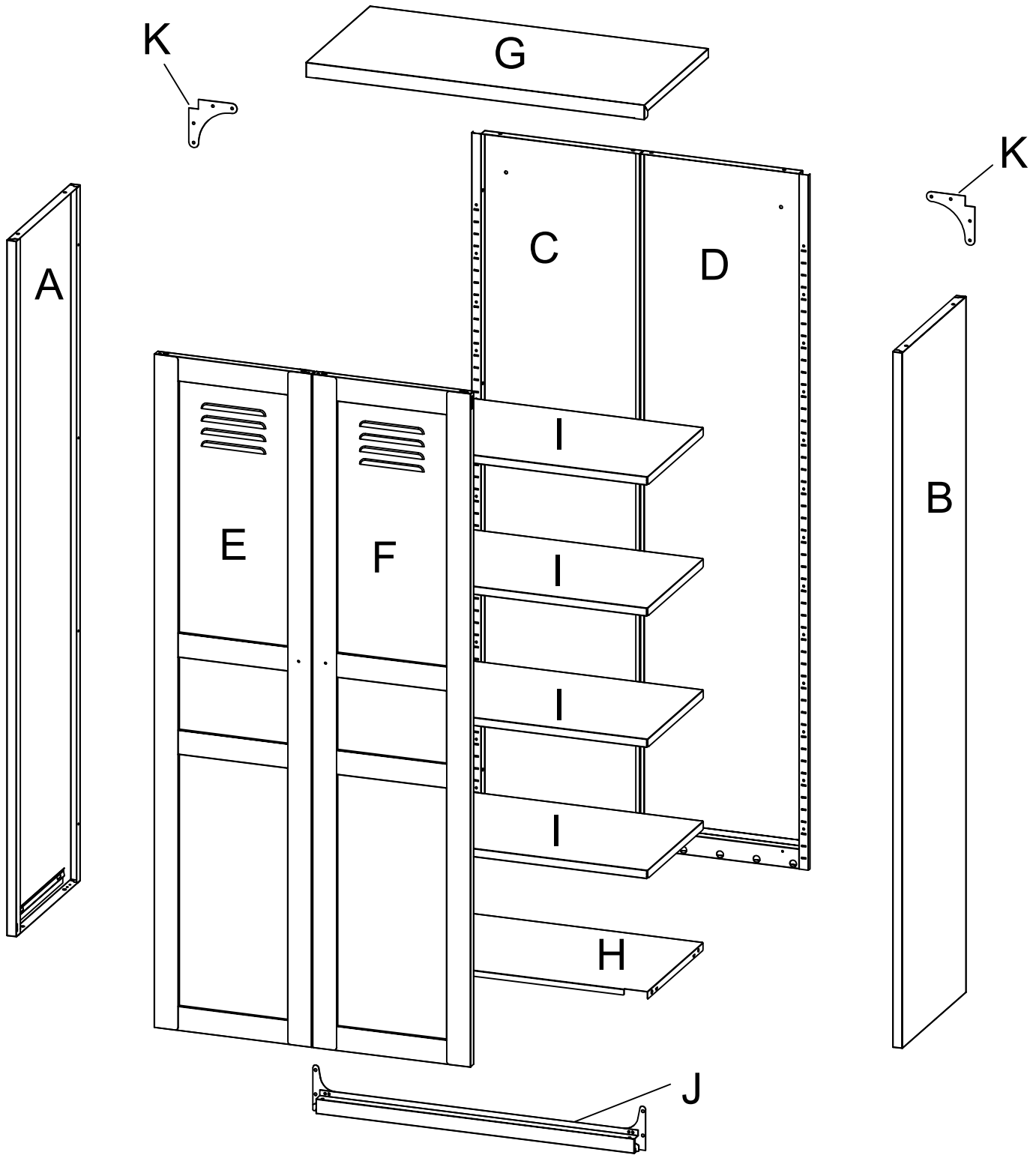
V×2



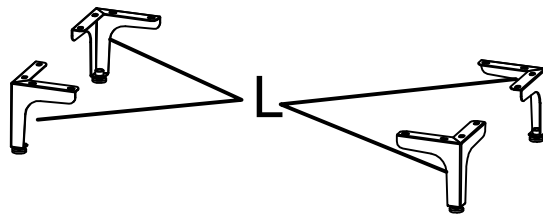
W×2

Spare Parts



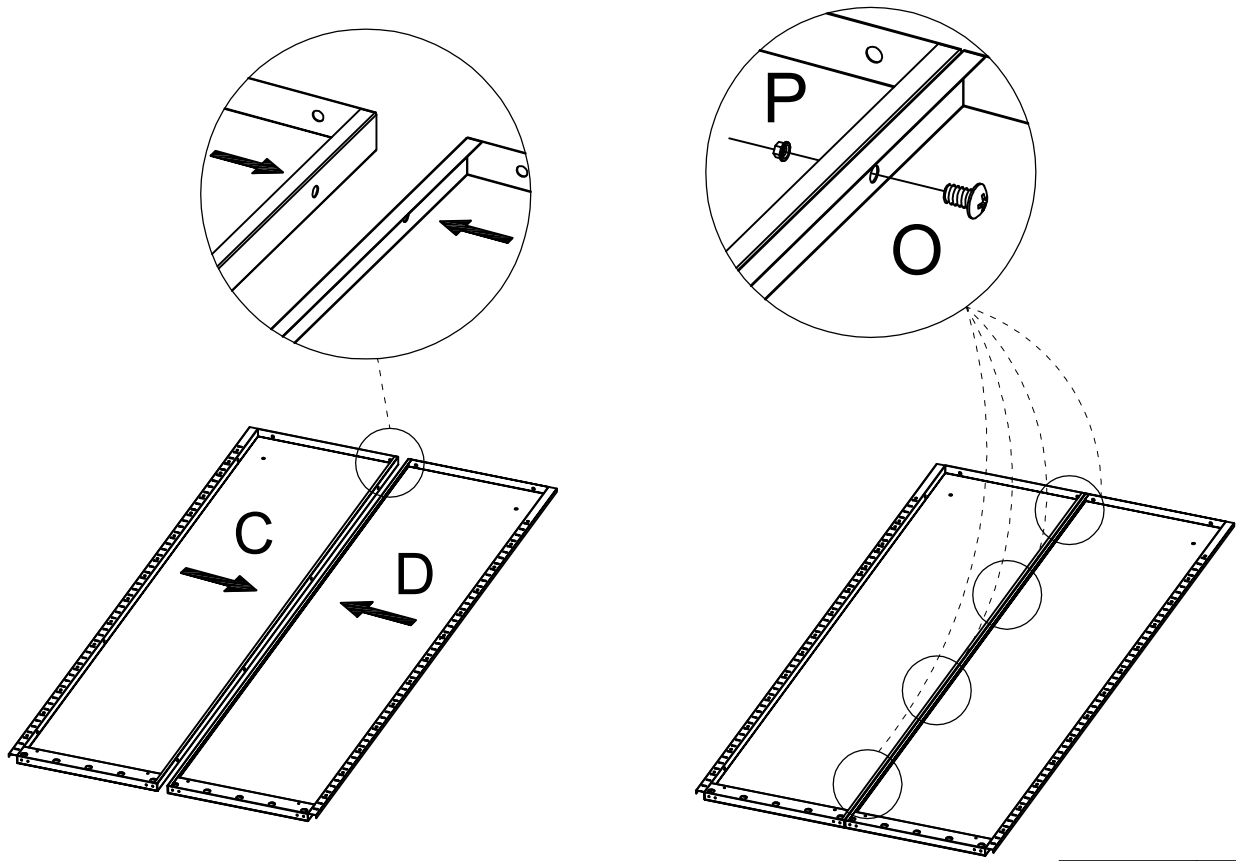


x2



1

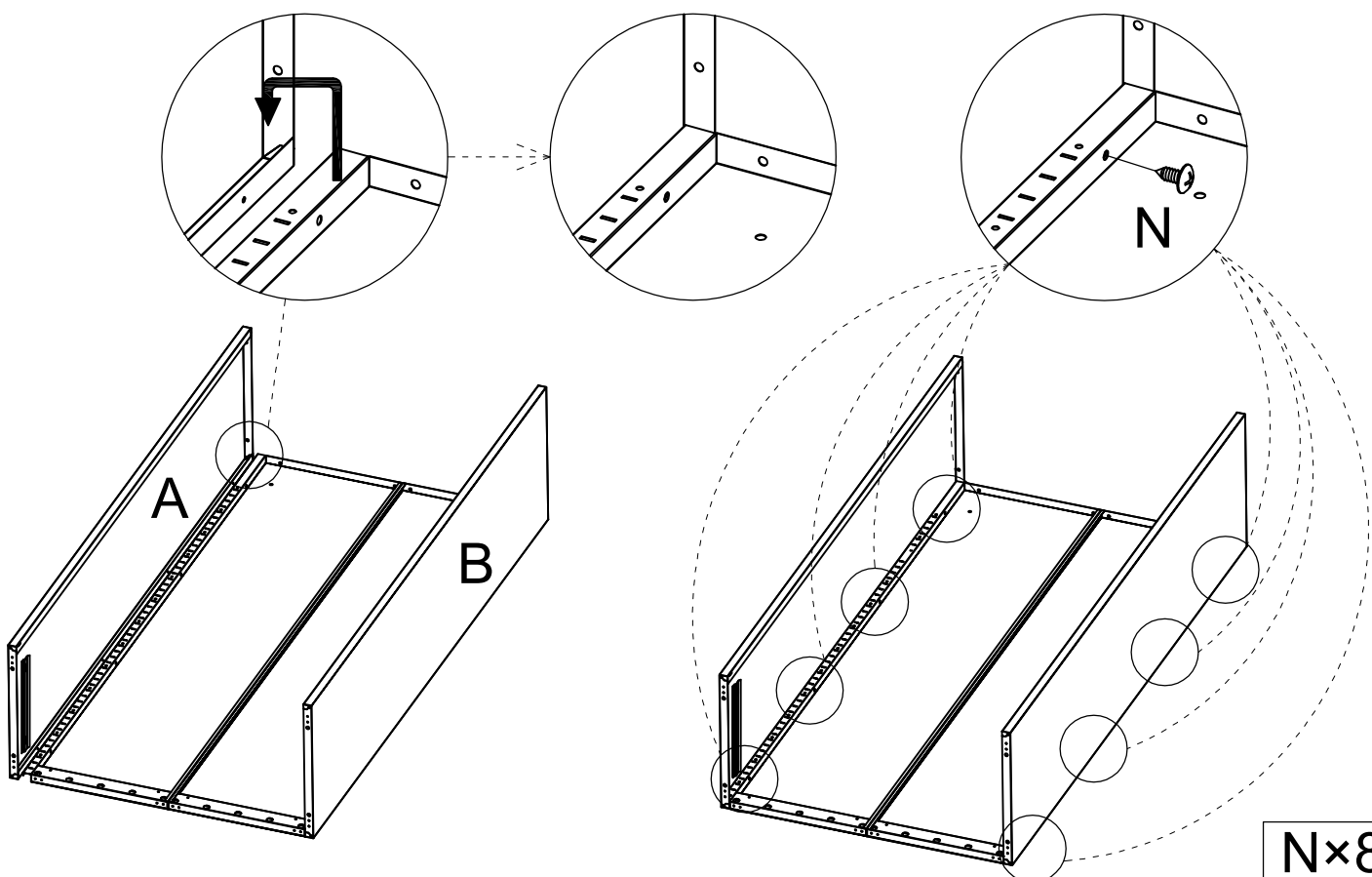
Put the two rear walls together and put four bolts and nuts to hold them in place.



O×4 P×4

2

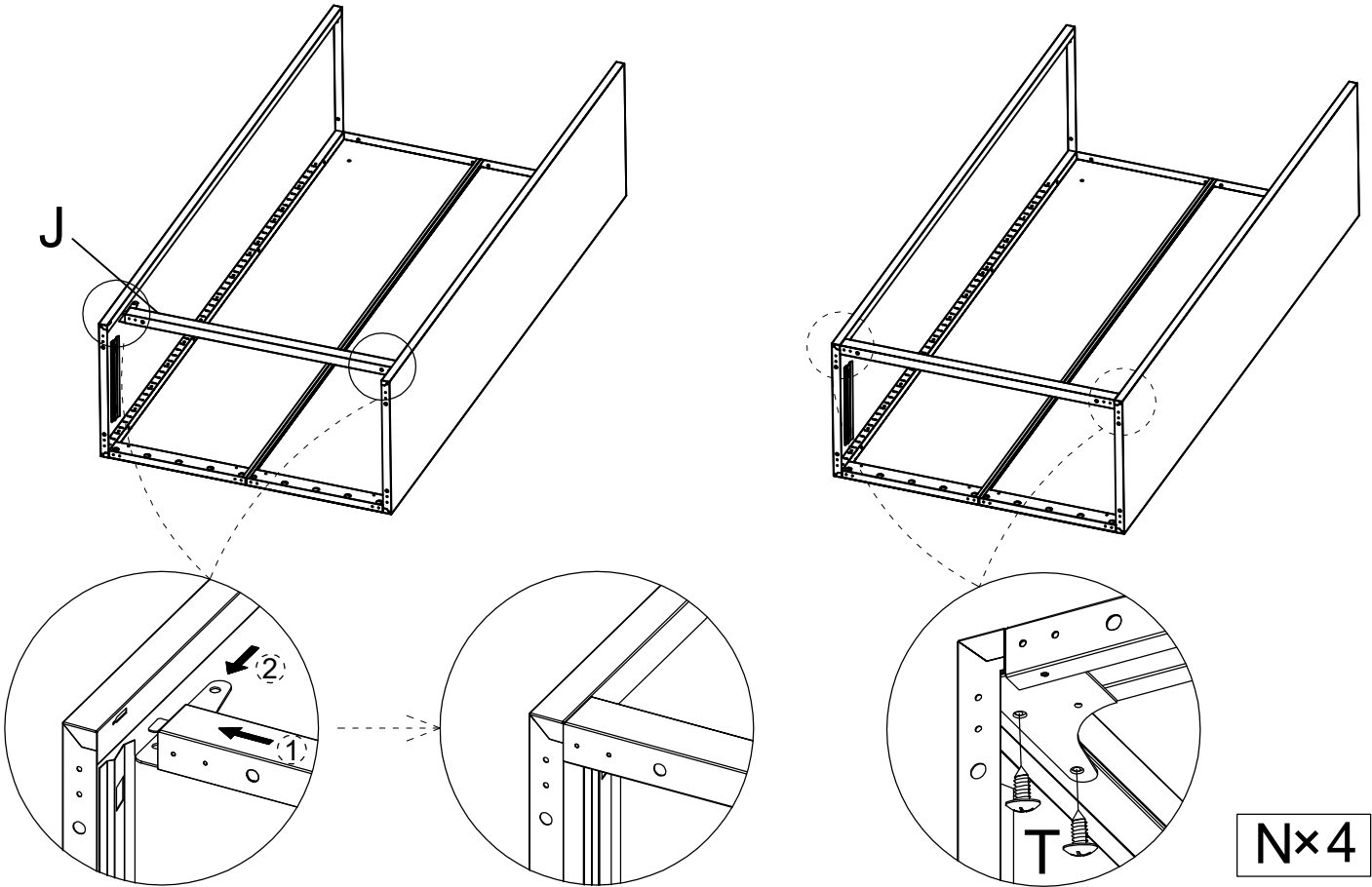
Simply overlap each sidewall in the channel of the rear wall and put four screws on each side to hold them in place. Note that Part A is on the left side and Part B is on the right side. If they are misplaced, it will affect the assembly.



N×8

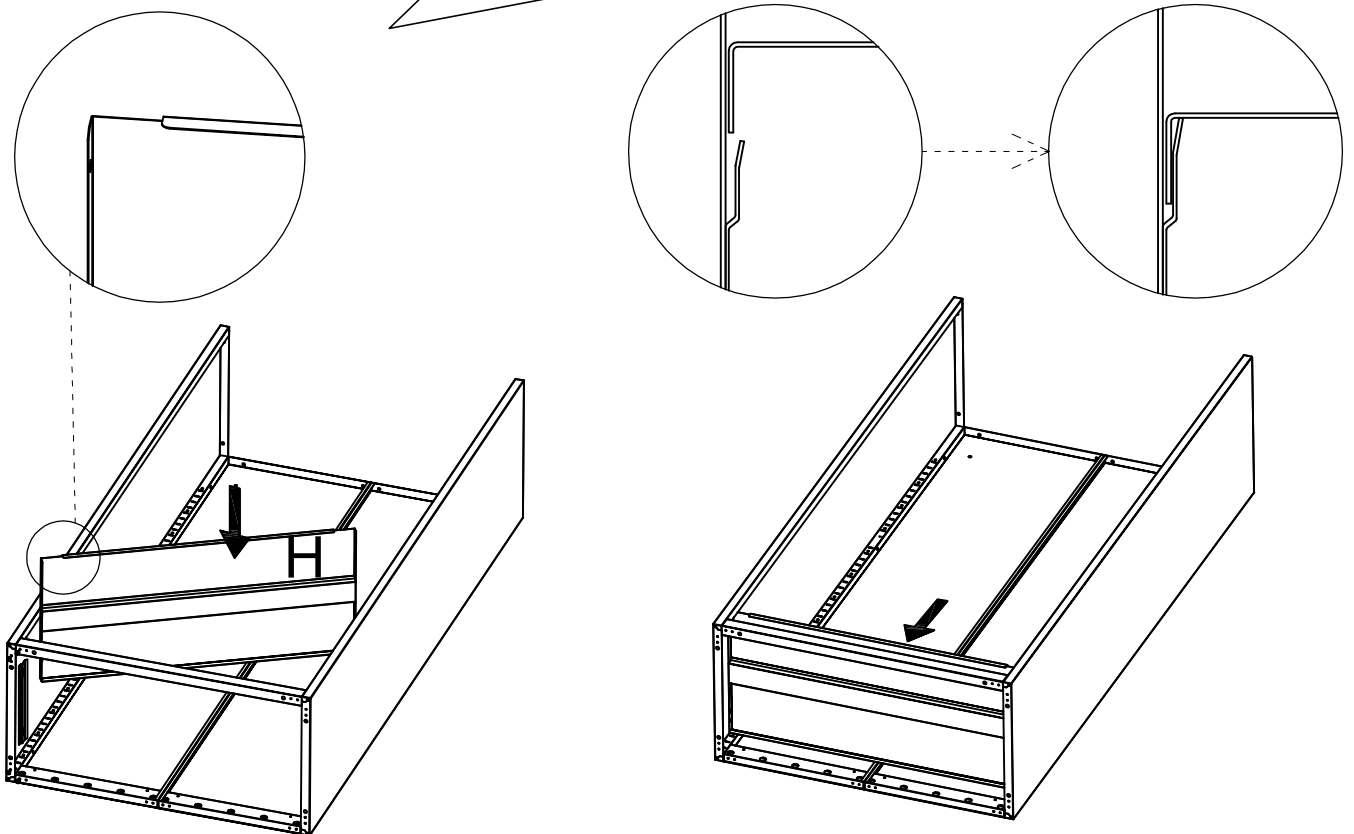
3

Snap the the buckle on either side of Part J into the hole in both side panels and then push it down so that it snaps into the bottom of the cabinet.



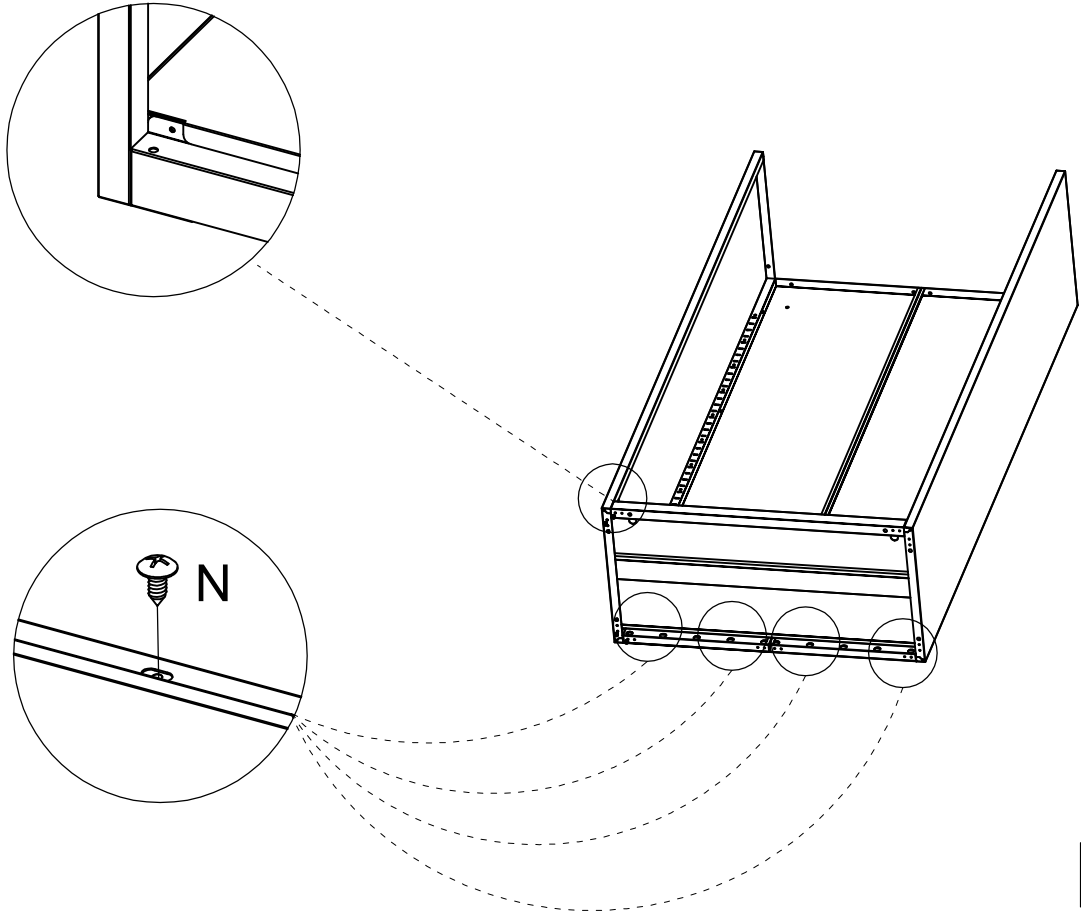
4

When placing Part H, place the notched side facing forward.



5

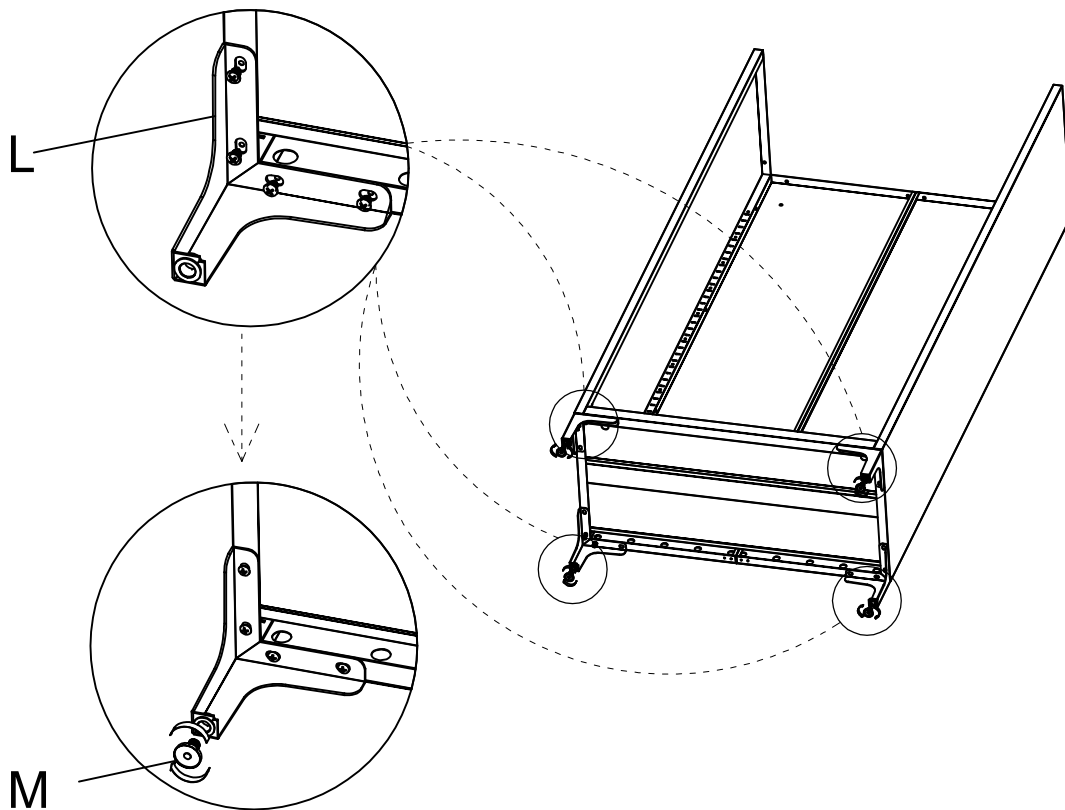
Use four screws to hold the bottom panel (Part H).



N x 4

6

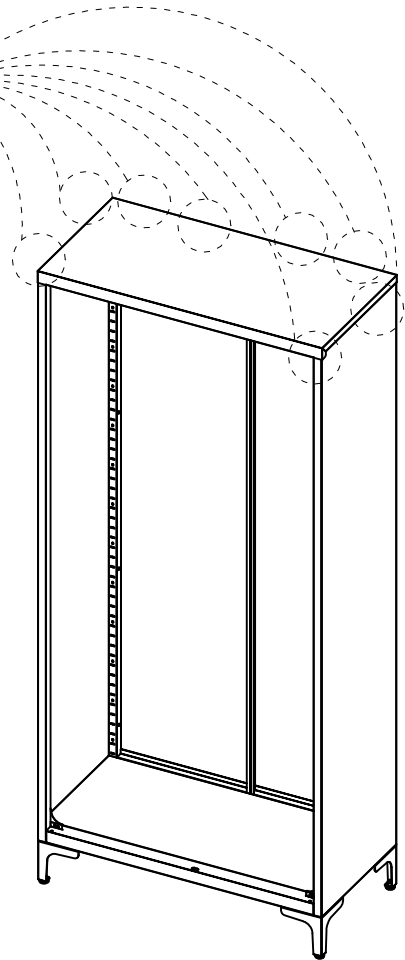
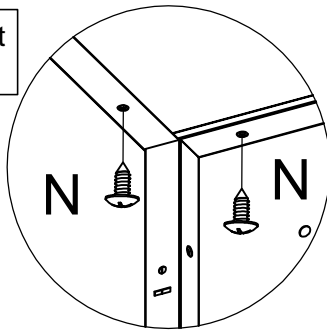
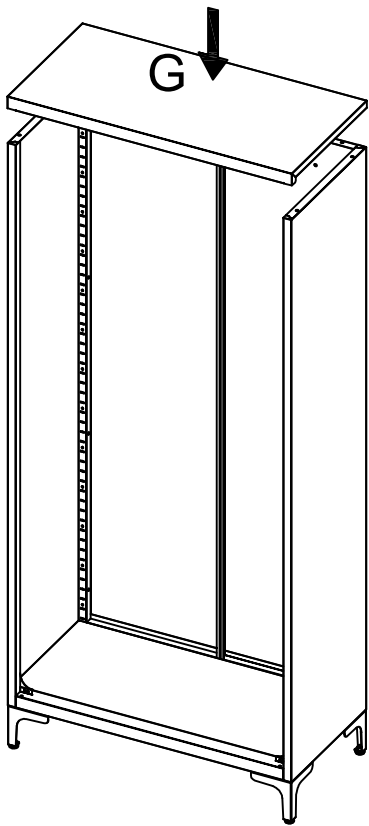
First install the feet L in each of the four corners of the cabinet and secure them with screws N, then place the four adjustable screws M into the screw holes in each of the four corners.



L x 4
M x 4
N x 16

7

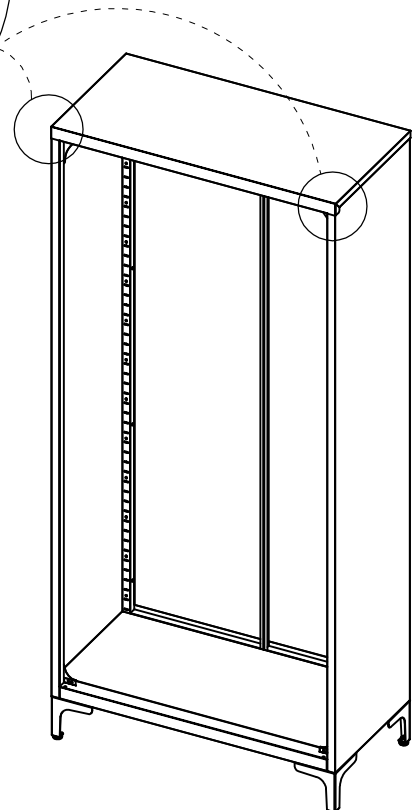
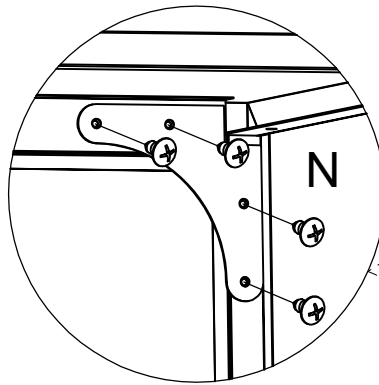
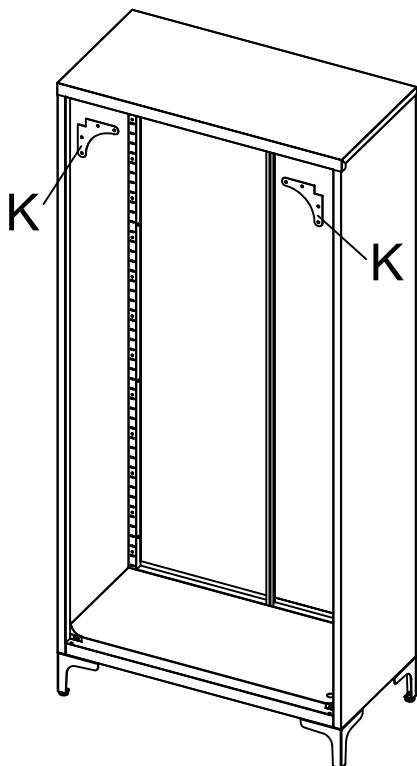
Install the top panel and use eight screws to hold it in place.



N×8

8

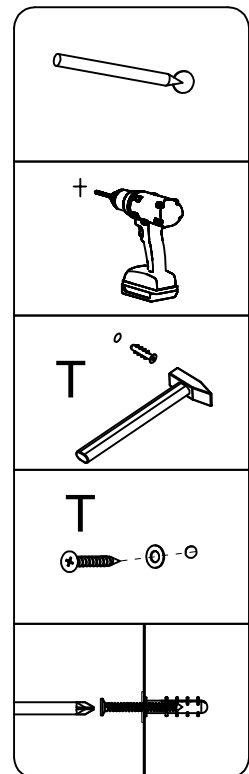
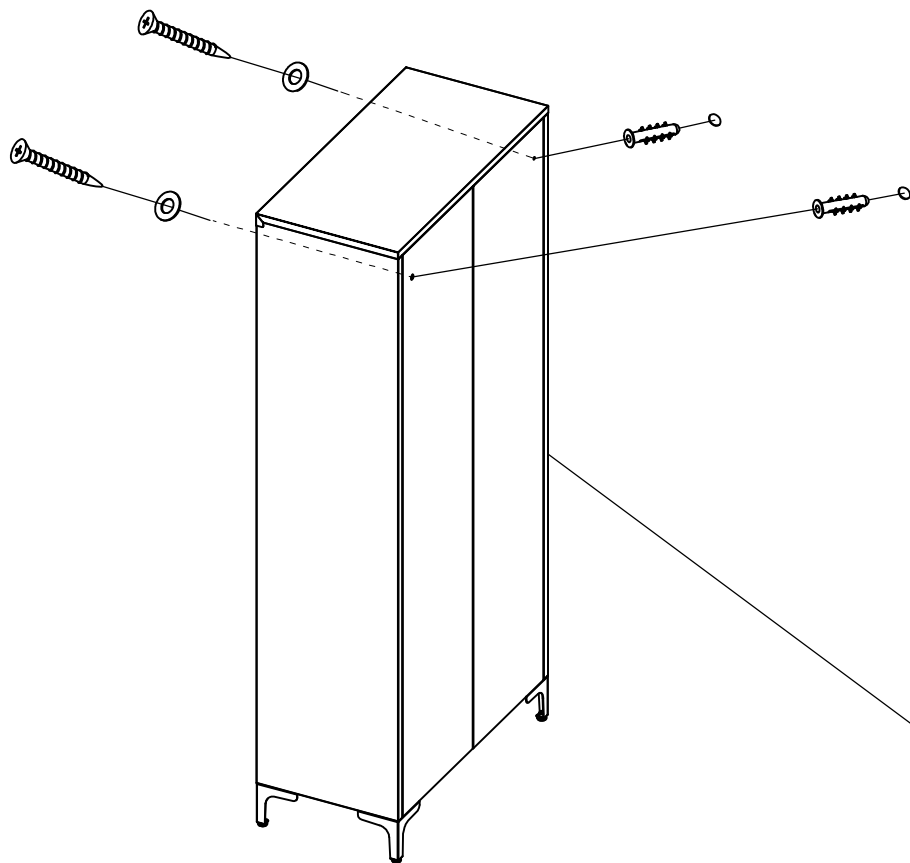
Install the two Part K and secure them with eight screws.



N×8

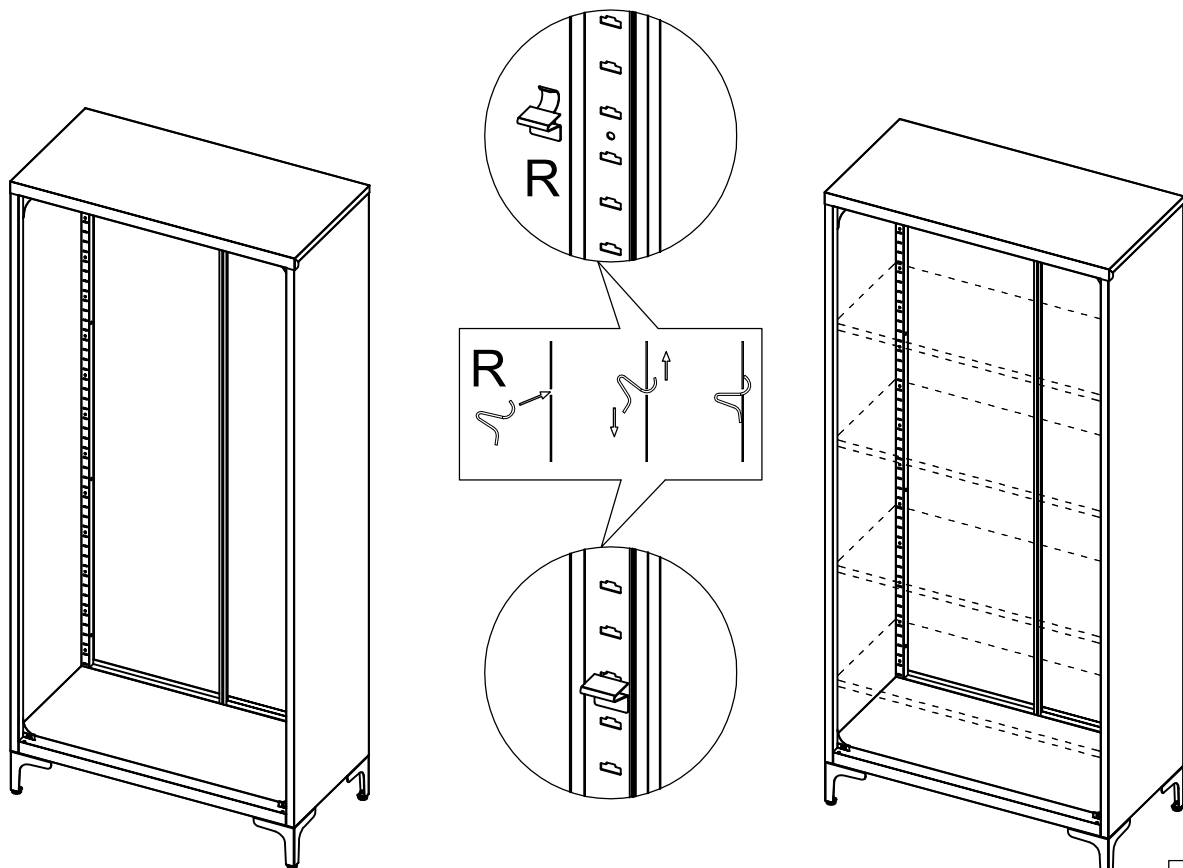
9

The cabinet can be fixed to the wall as needed.



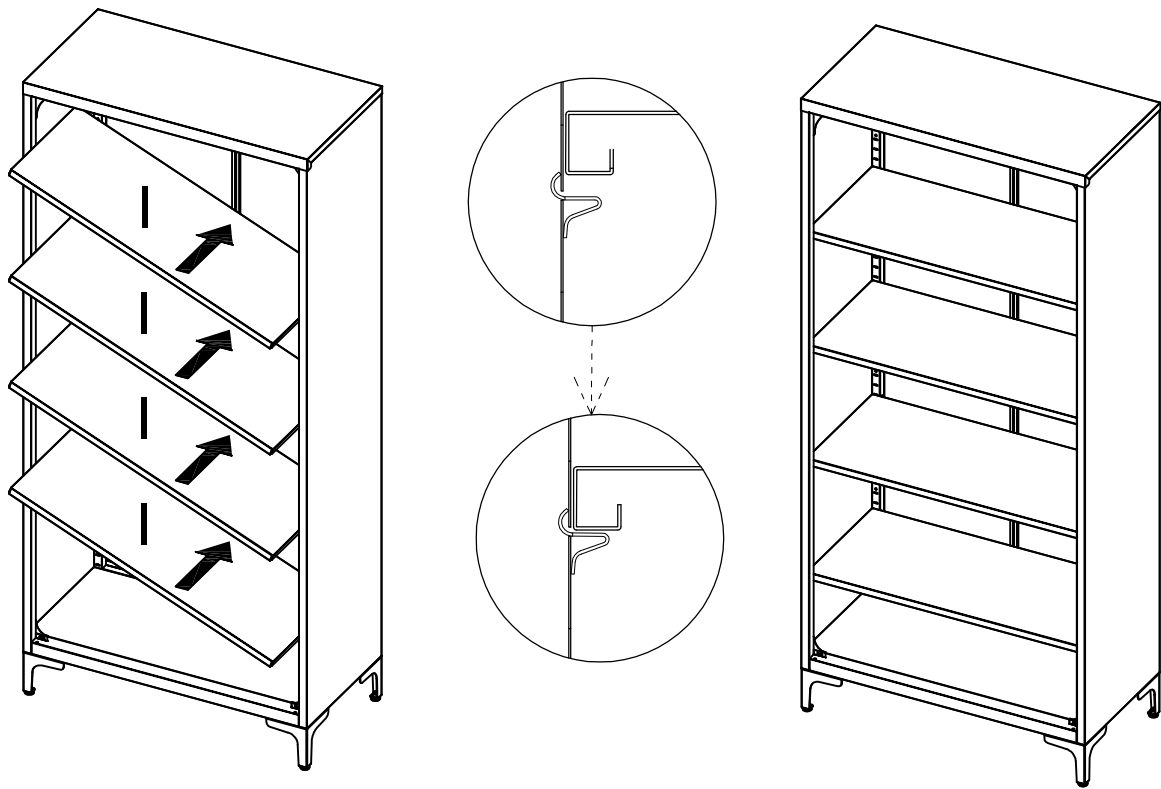
10

Put four support clips R in the four corners of the cabinet, taking care to place them on the same level.



R×16

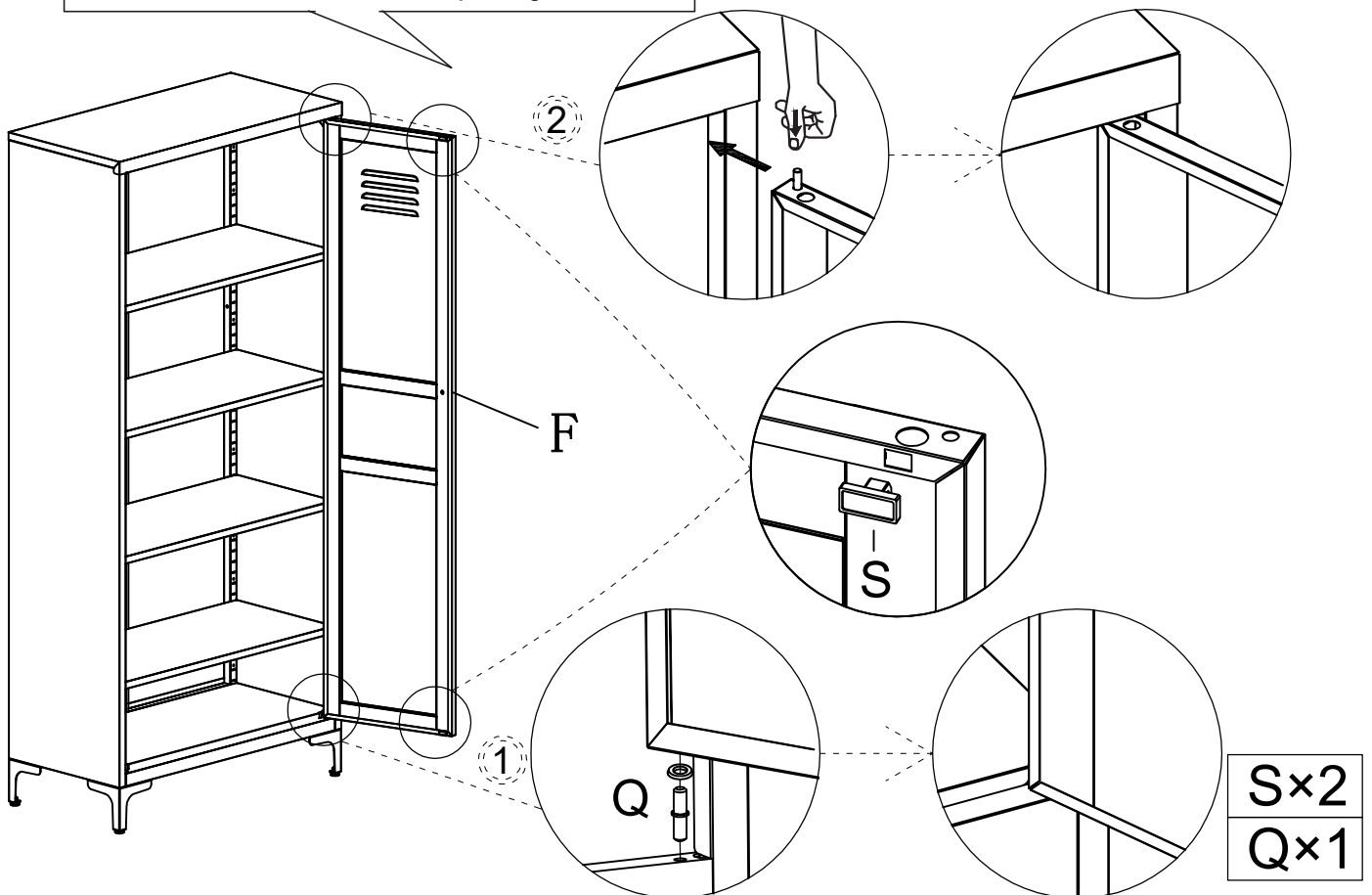
11




12

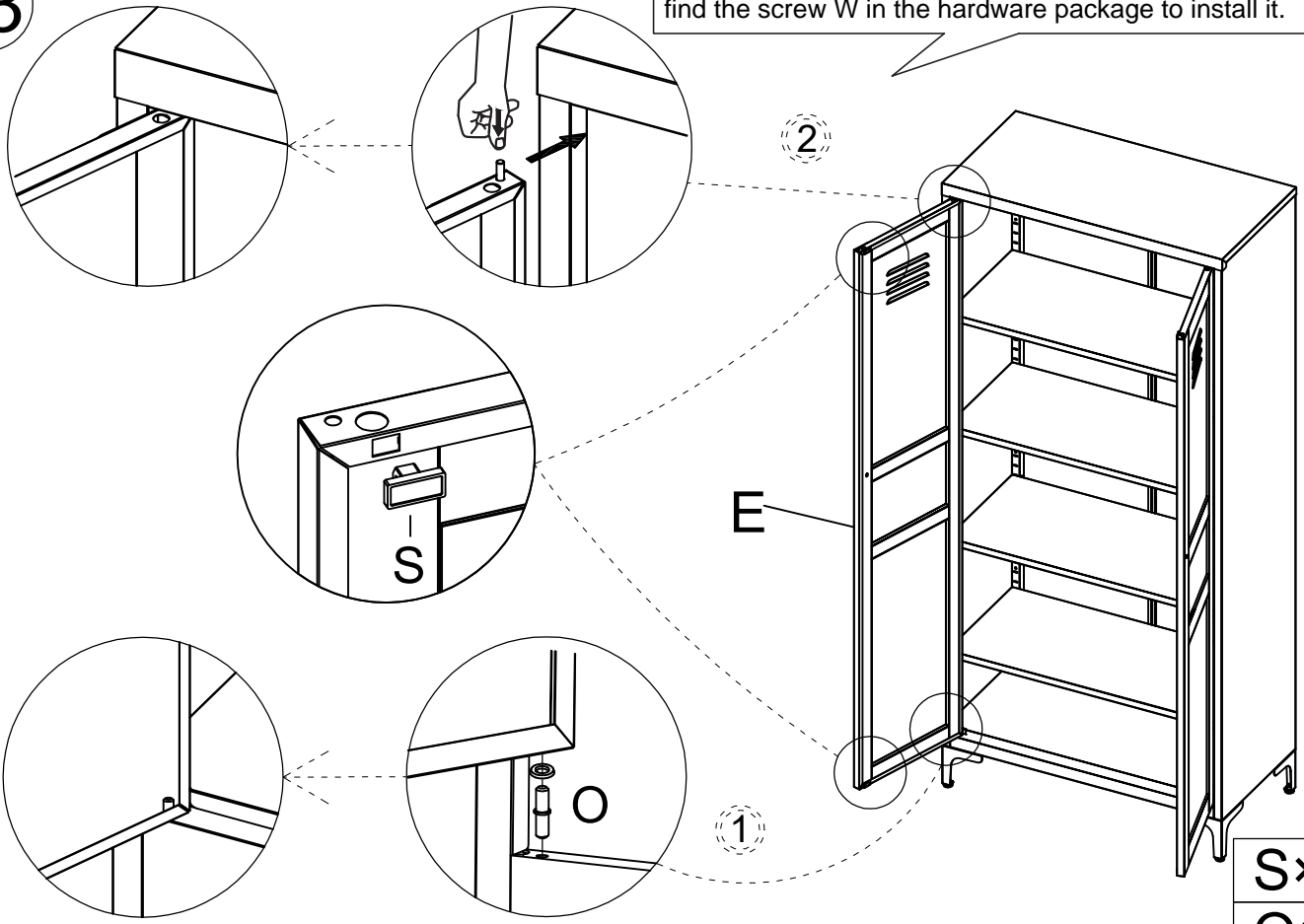
Install the door on one side by first installing the door pin Q, then by pressing the spring shaft on the top of the door.

If the spring shaft is missing from the door, you can find the screw W in the hardware package to install it.



13

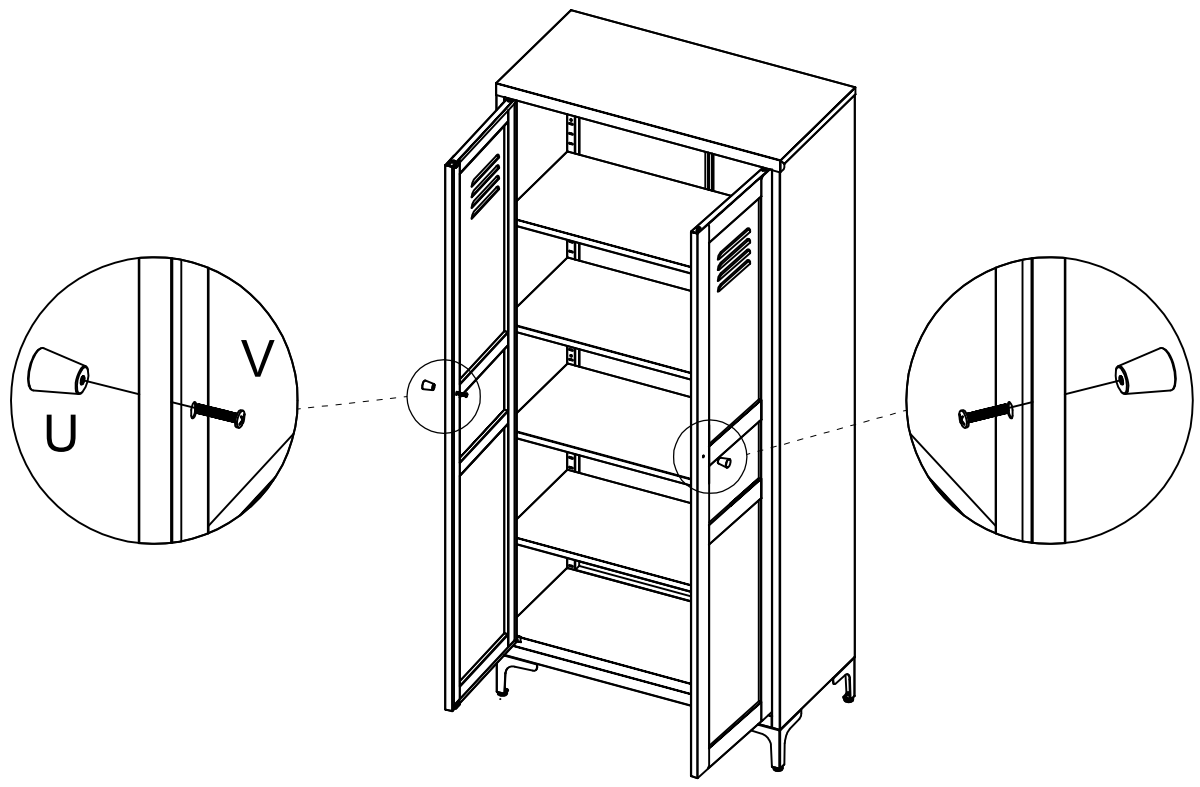
If the spring shaft is missing from the door, you can find the screw W in the hardware package to install it. 



S×2
Q×1

14

Mounting handle with two screws.



U×2
V×2