

WARNING

**** WE RECOMMEND INSTALLATION OF THIS LIGHTING FIXTURE BE DONE BY A LICENSED ELECTRICIAN ****

- * Switch off the main electrical supply from the main fuse box / circuit breaker before installation.
- * Inspect item carefully before attempting to install.
- * If there is any damages or obvious defects, do not install.
- * Item may not be returned once it has been installed

CARE AND MAINTENANCE













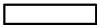

- * To clean the outside of the fixture, use a dry or slightly dampened clean cloth (use clean water, never a solvent) to wipe the surface of the fixture.
- * To clean the inside of the fixture, first disconnect power to the fixture by turning off the circuit breaker or by removing the fuse at the fuse box. Next, use a dry or slightly dampened clean cloth (use clean water, never a solvent) to wipe the interior surface of the fixture.
- * Do not use any cleaners with chemical, solvents or harsh abrasives. Use only a dry soft cloth to dust or wipe carefully.

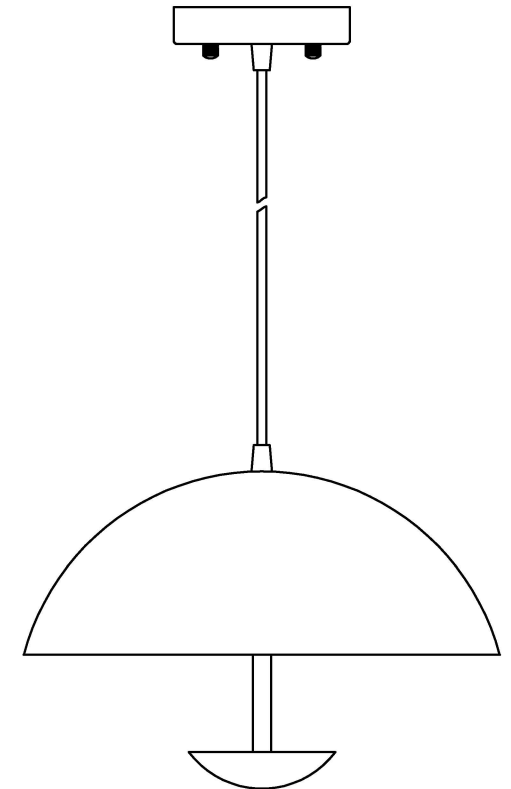
NOTICE & IMPORTANT SAFETY INSTRUCTIONS

- * Please make sure that you have all parts indicated before you begin assembly of this item
 - * This item should be assembled on a soft surface to prevent scratching the finish during assembly
 - * To reduce the risk of fire, electrical shock or injury to persons or property, please follow the guideline below for safe use and installation
 - * The external flexible cable or cord of this luminaire cannot be replaced
- If the cord is damaged, the luminaire shall be destroyed

Product Dimensions: 13"D X 11-70"H

Part List and Hardware List

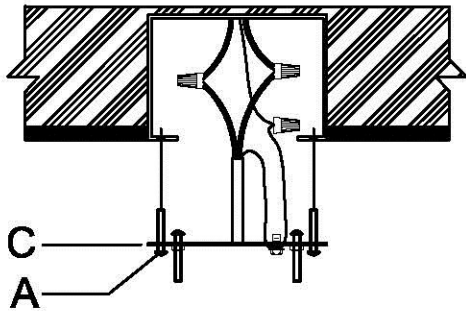
PIECE	DESCRIPTION	PICTURE	QUANTITY	PIECE	DESCRIPTION	PICTURE	QUANTITY
A	machine screw		2X	H	Light body		1X
B	mounting screw		2X	I	Acrylic disc		1X
C	mounting bracket		1X	J	Iron disc		2X
D	ground screw		1X	K	Decorative head		1X
E	wire connector		3X	L	Bulb		3X
F	canopy nut		2X	M	Iron piece		2X
G	canopy		1X	N	Dental canal		1X



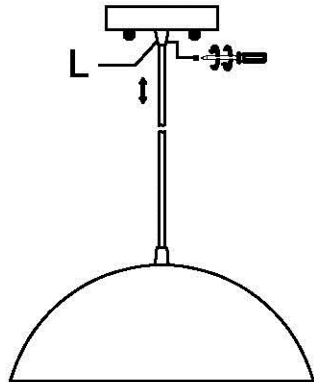
PREPARATION

- * Before beginning assembly of product, make sure all parts are present. Compare parts with package contents list and hardware contents list.
- * If any part is missing or damaged, do not attempt to assemble the product.
- * Estimated Assembly Time: 30 minutes.
- * If you are having difficulty, our friendly Customer Care team is always here to help.

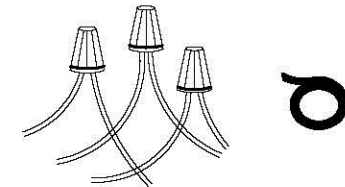
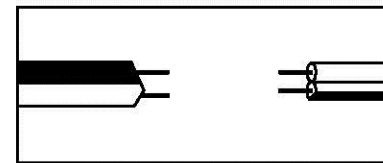
NOTE: PLEASE USE ON/OFF TYPE "B" BULB MAX 25-WATT OR LED BULB MAX 9-WATT THERE IS LED 4-WATT BULB IN THE BOX



Step 1: Unpack all parts from cartons carefully.
Fix the Mounting plate (C) to the junction box with machine screw (A).



Step 2: After loosening the screw in the iron piece (M), you can adjust the wire up and down to a proper position, and then tighten the screw in the iron piece (M).



Step 3: Wire connection

Connect fixture neutral wire (ribbed) to the outlet box neutral wire (usually white) using a wire connector.

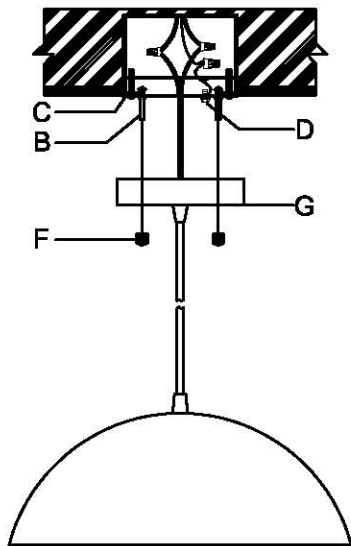
Connect fixture hot wire (smooth with markings) to the outlet box hot wire (usually black) using a wire connector.

CAUTION: Do not reverse the hot and neutral connections

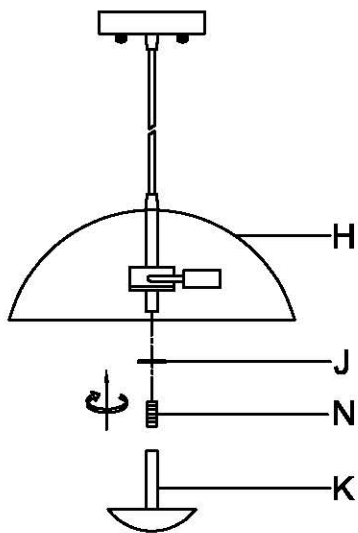
Grounding Instructions:

Wrap ground wire from outlet box around green ground screw on mounting bracket, no less than 2"

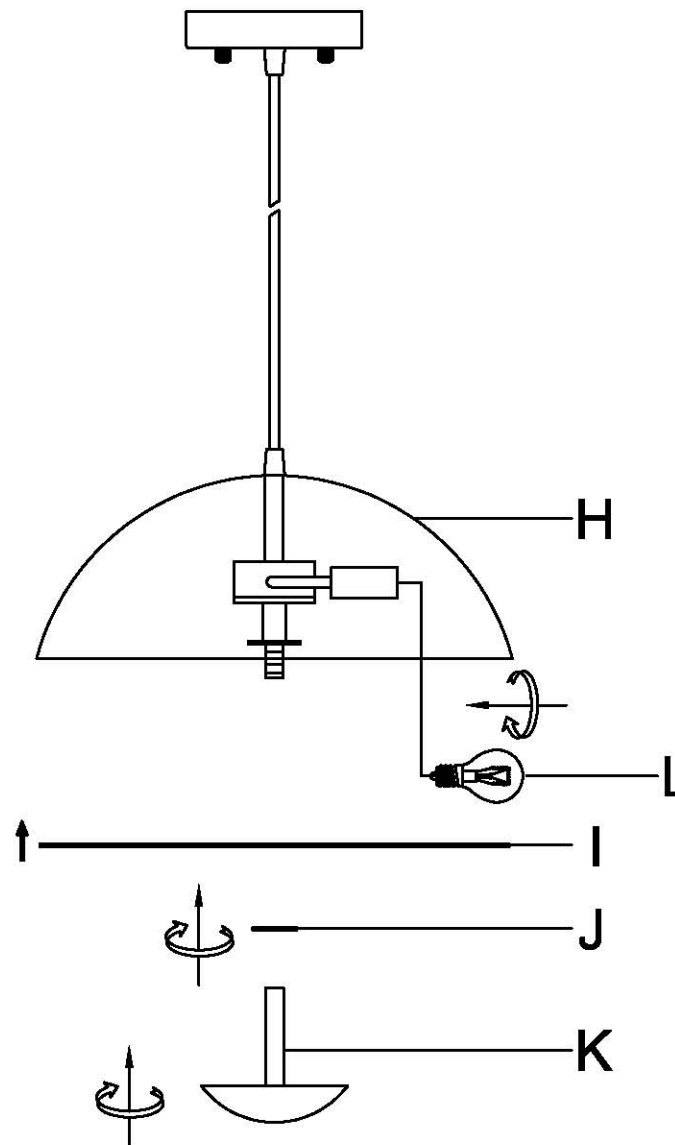
from wire end. Tighten ground screw. If fixture is supplied with a ground wire, connect to outlet ground wire with a wire connector.



Step 4: Attach the canopy (G) to the Mounting Plate (C), and fix it by turning the canopy nut (F) anti clockwise



Step 5: Remove and install the dental tube (N) and disc (J) on the Decorative head (K) onto the lamp body (H)



Step 6: Install the bulb (L) on the lamp holder, then fix the acrylic disc (I) on the lamp body (H) with a disc (J), and fix the decorative head (K) on the lamp body (H).