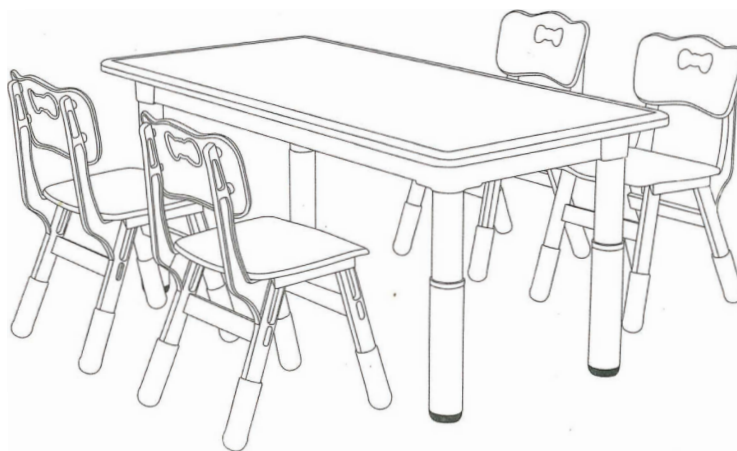


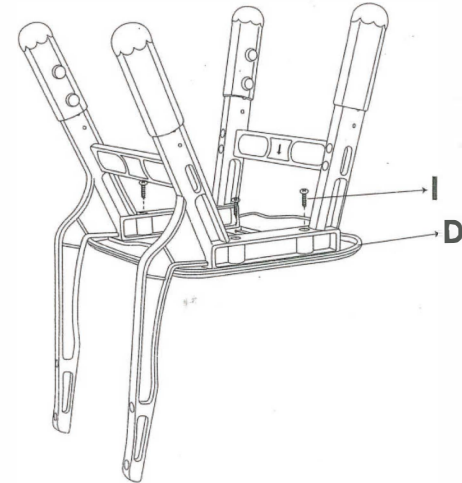
Kids Table and Chairs Set



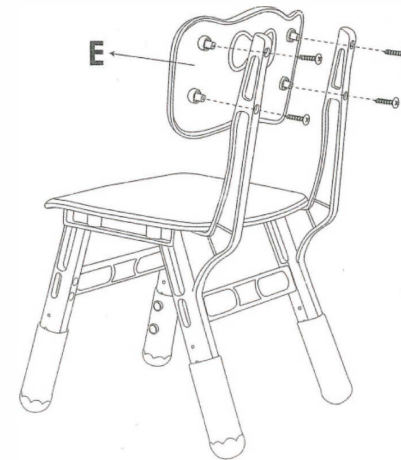
USER MANUAL

Installation Steps

STEP 7 Fix the seat plate and seat plate of the chair.

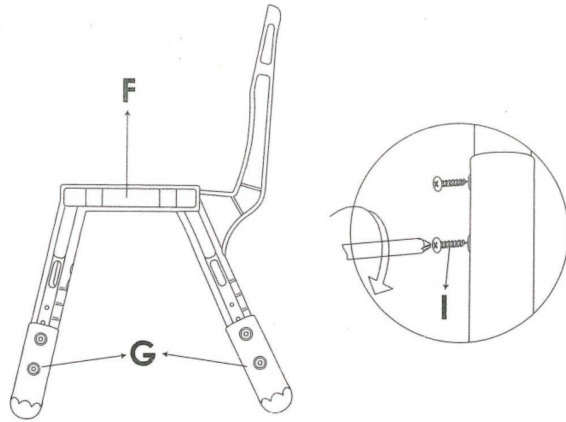


STEP 8 Find the appropriate height and fix the screws.

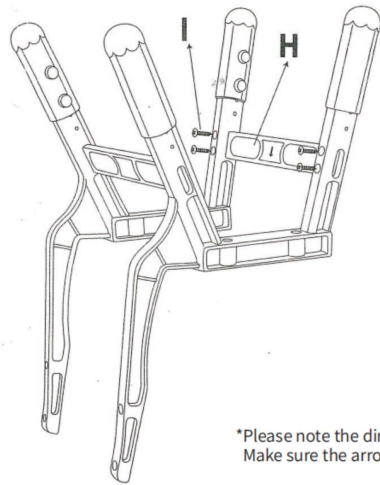


Installation Steps

STEP 5 Connect the chair frames to blue/pink chair legs.



STEP 6 Connect two chair frames with chair crossbars.



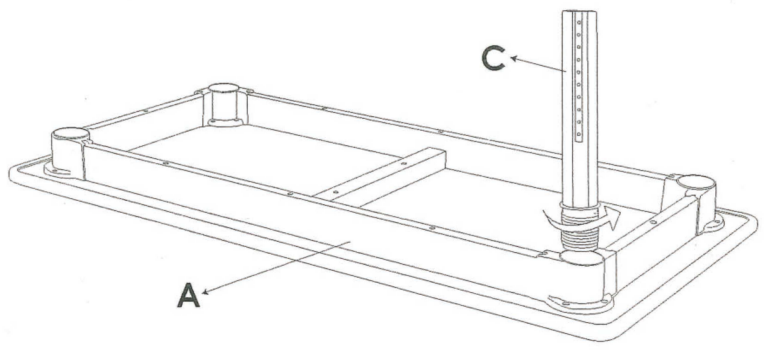
*Please note the direction of the crossbar.
Make sure the arrow on it is upward.

Package Include

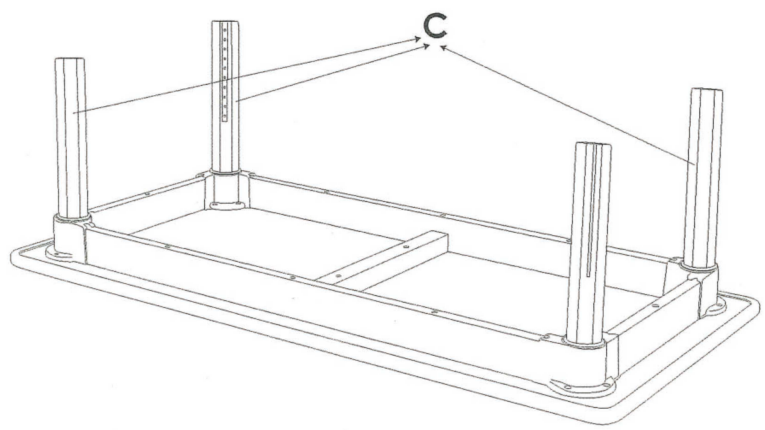
<p>A</p>	
<p>Bx4</p>	<p>Cx4</p>
<p>Dx4</p>	<p>Ex4</p>
<p>Fx8</p>	<p>Gx16</p>
	<p>Hx8</p>
	<p>Ix104</p>

Installation Steps

STEP 1 Connect the four white legs to the desk.

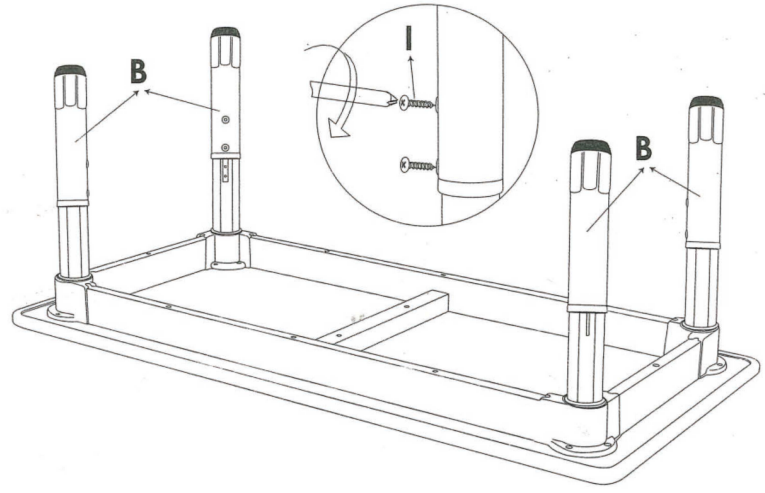


STEP 2 Connect the four blue/pink legs to the white legs.



Installation Steps

STEP 3 Find the right height and fix the two leg parts with screws.



STEP 4

