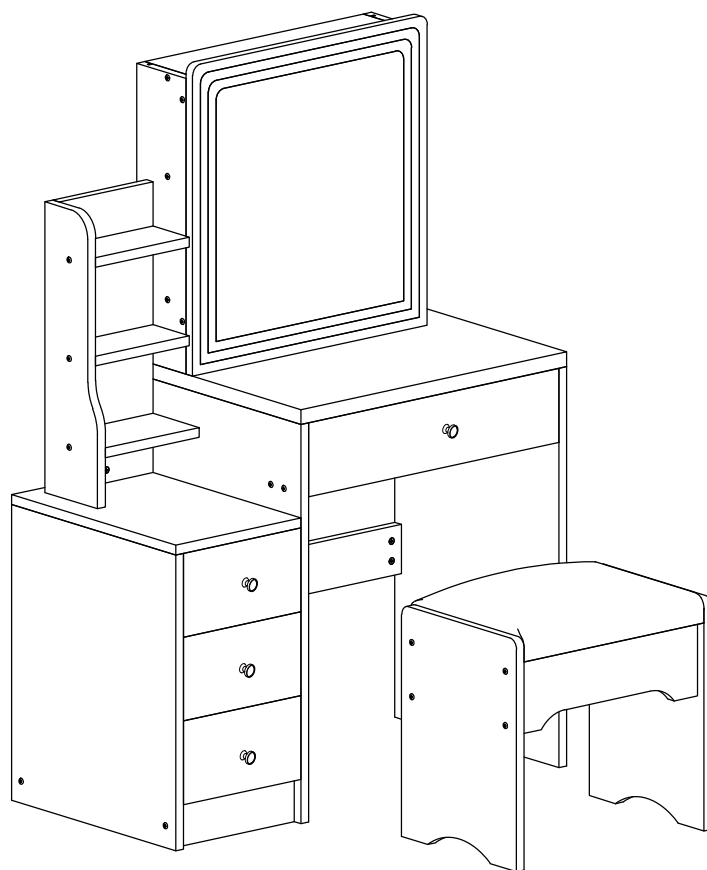
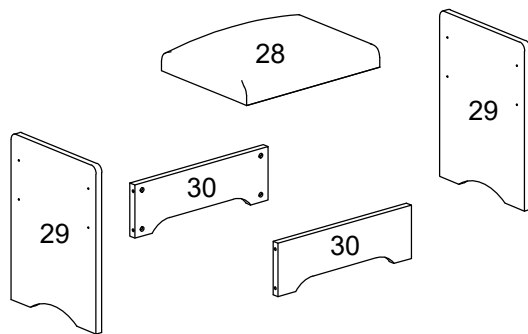
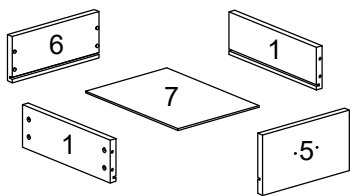
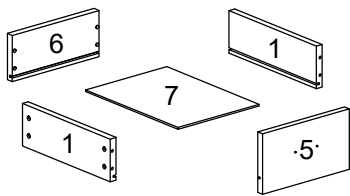
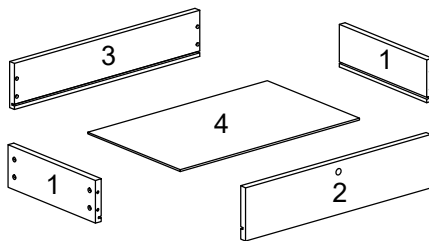
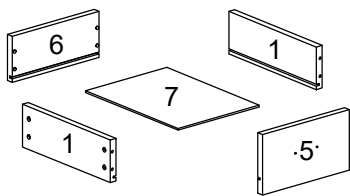
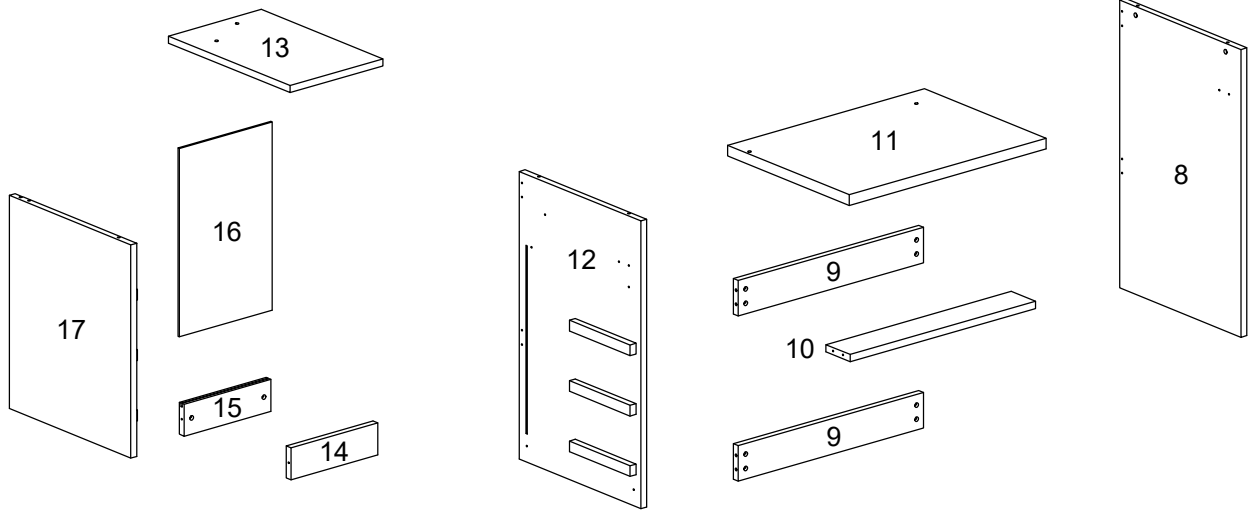
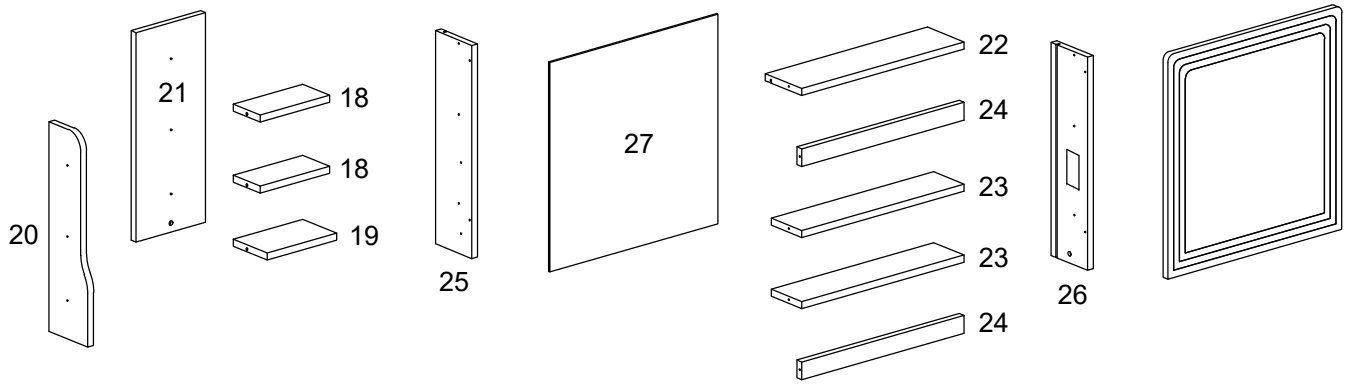


CRAZY ELF DRESSING TABLE 918A

INSTALLATION MANUAL



**Thank you for purchasing the goods in our store this time
Please read this manual carefully before using it
Please keep this manual properly**



1 - x8	16 - x1
2 - x1	17 - x1
3 - x1	18 - x2
4 - x1	19 - x1
5 - x3	20 - x1
6 - x3	21 - x1
7 - x3	22 - x1
8 - x1	23 - x2
9 - x2	24 - x2
10 - x1	25 - x1
11 - x1	26 - x1
12 - x1	27 - x1
13 - x1	28 - x1
14 - x1	29 - x2
15 - x1	30 - x2

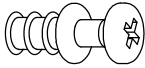
HARDWARE



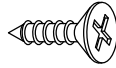
A	SCREW & PLASTIC LOCK	x50
---	----------------------	-----



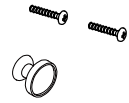
B	SCREW & METAL LOCK	x43
---	--------------------	-----



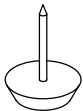
C	SCREW	x8
---	-------	----



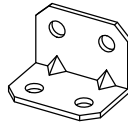
D	SCREW	x16
---	-------	-----



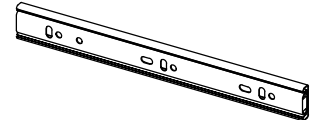
E	HANDLE	x4
---	--------	----



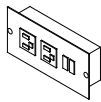
F	PLASTIC SHOE	x10
---	--------------	-----



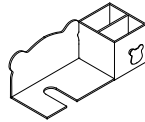
G	L PLATE	x2
---	---------	----



J	RAIL	x2
---	------	----



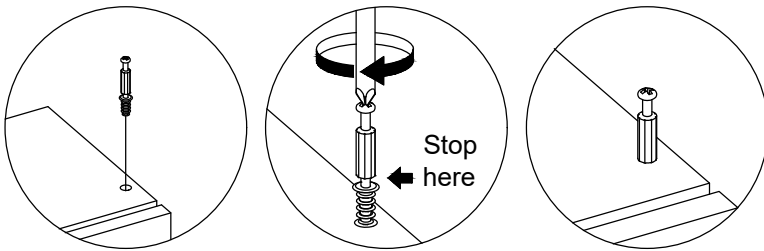
K	SOCKET	x1
---	--------	----



L		x1
---	--	----

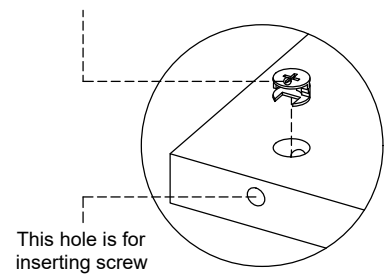
1. Screw installation method

When the screw is installed, please keep it in line with the board, and do not tighten it too tightly

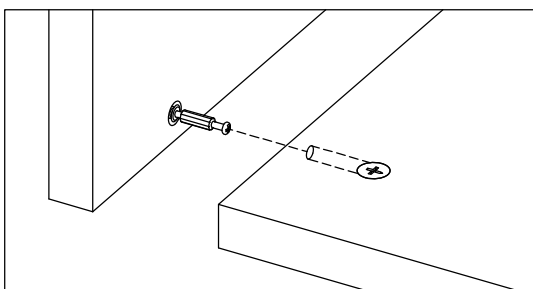


2. Check the Nut direction

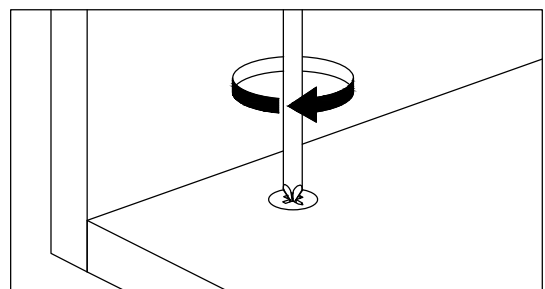
This direction of the marked nut is consistent with the direction in which the screw is inserted



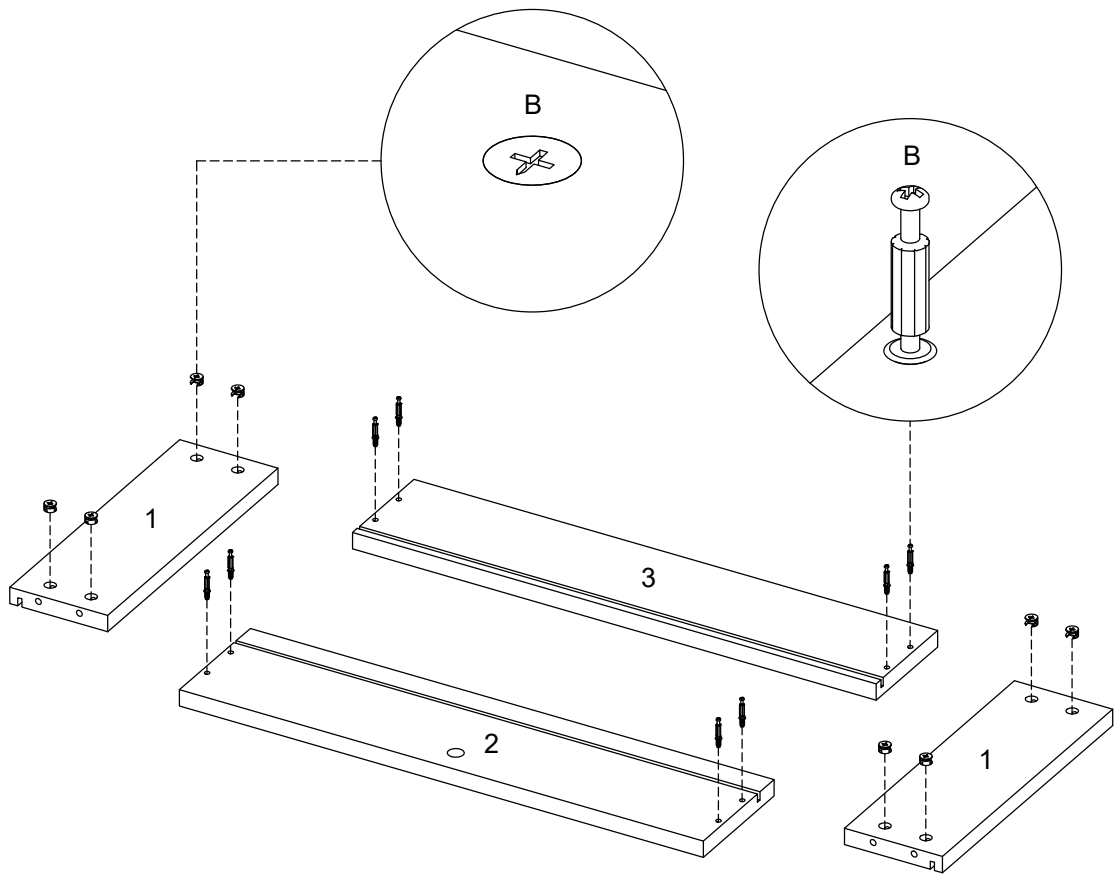
3. Installation on the board with fixing screws



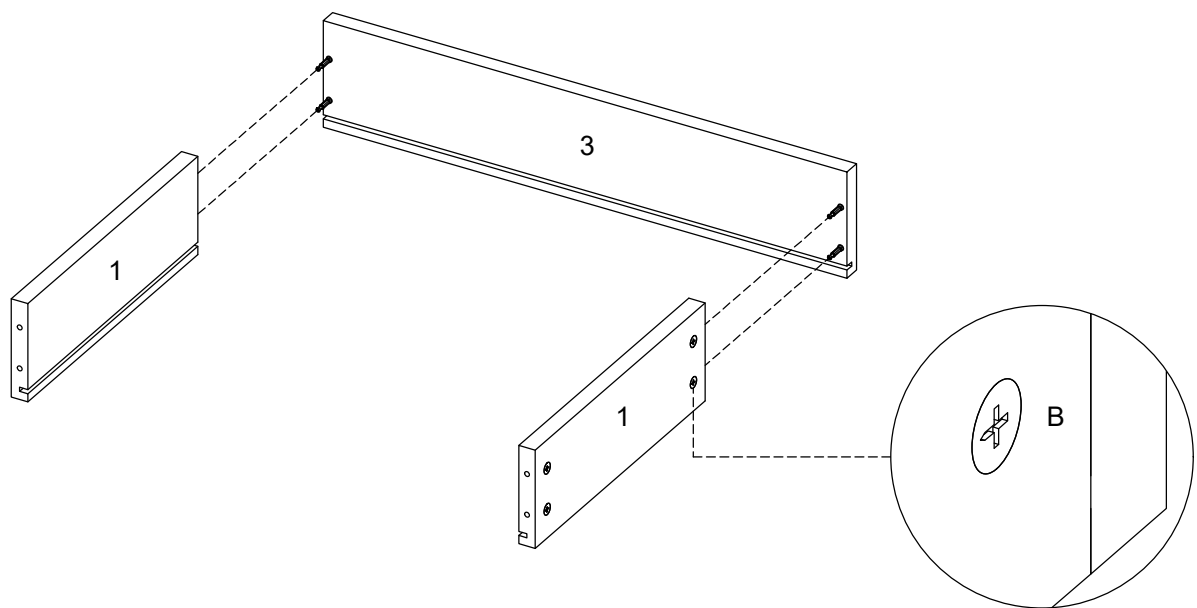
3. Rotate slowly until it stops



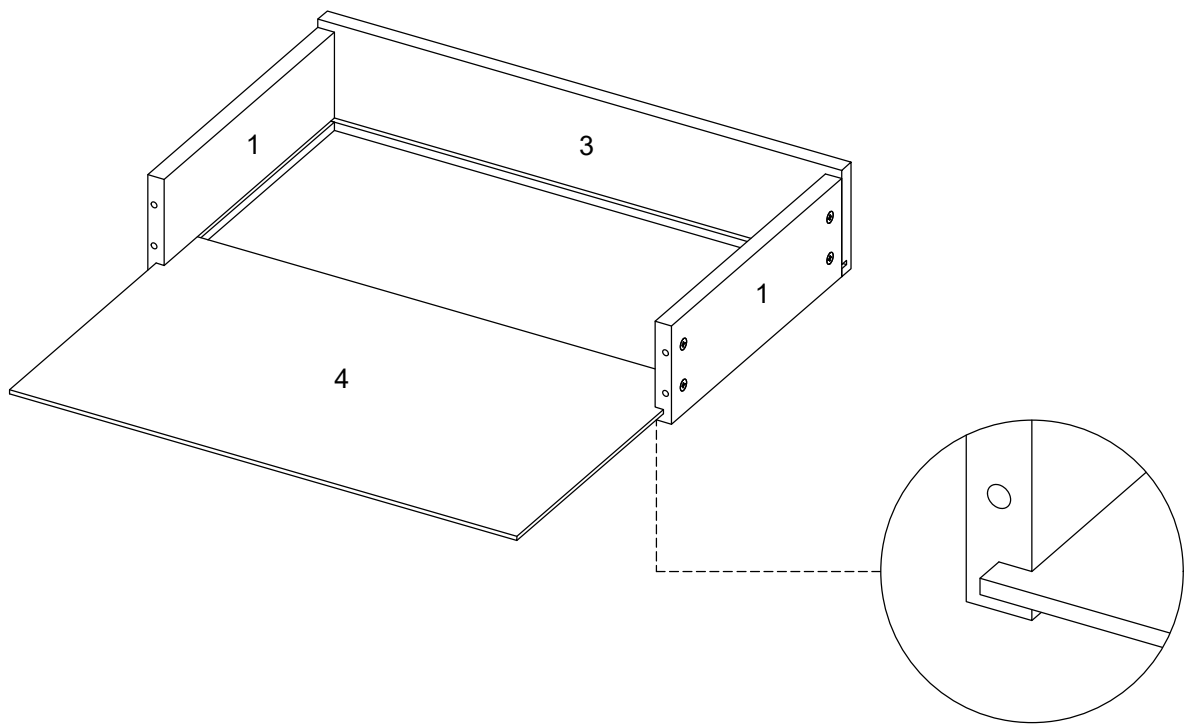
Step 01



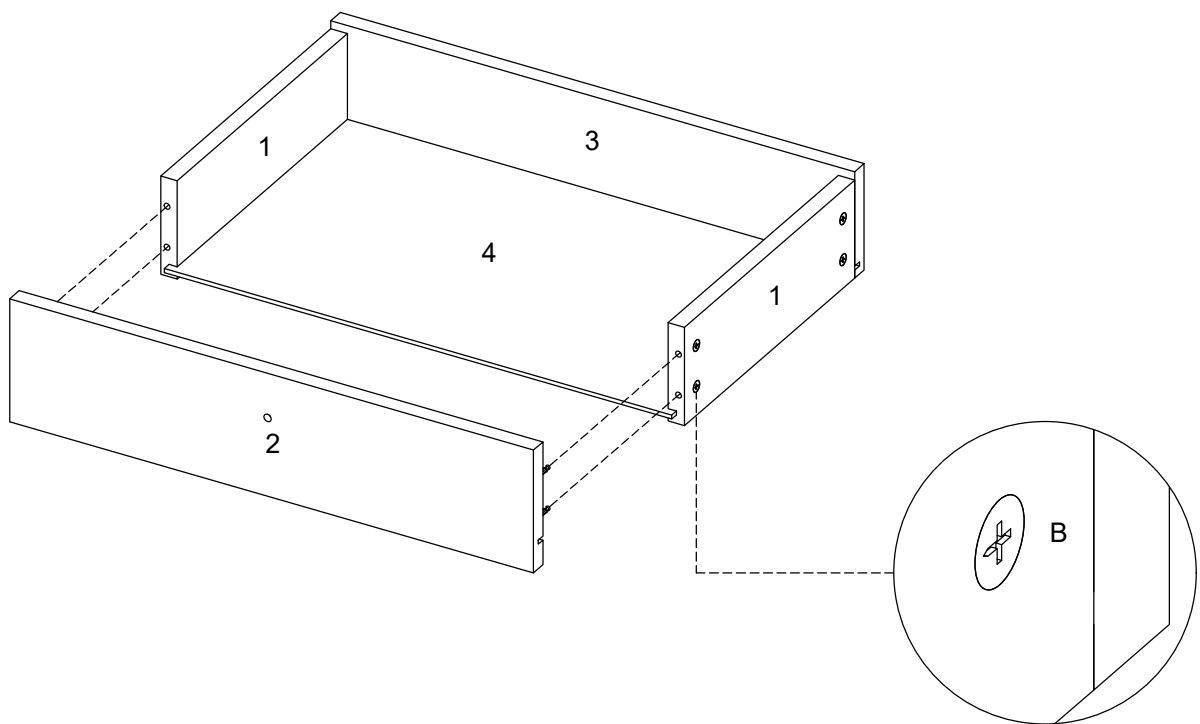
Step 02



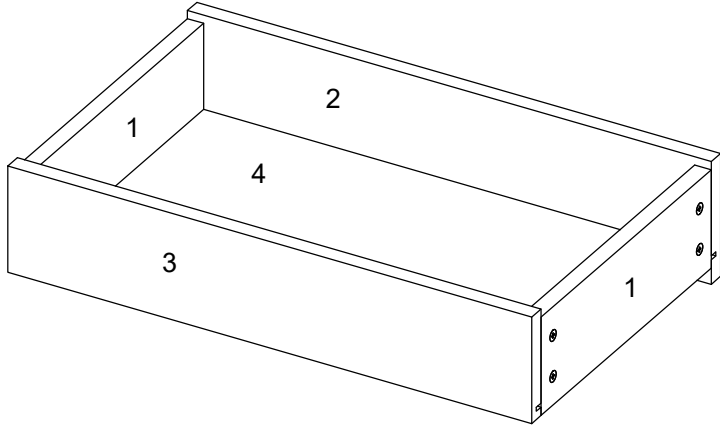
Step 03



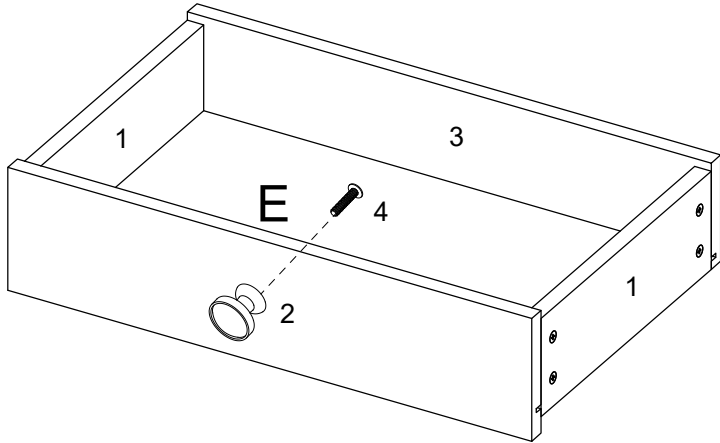
Step 04



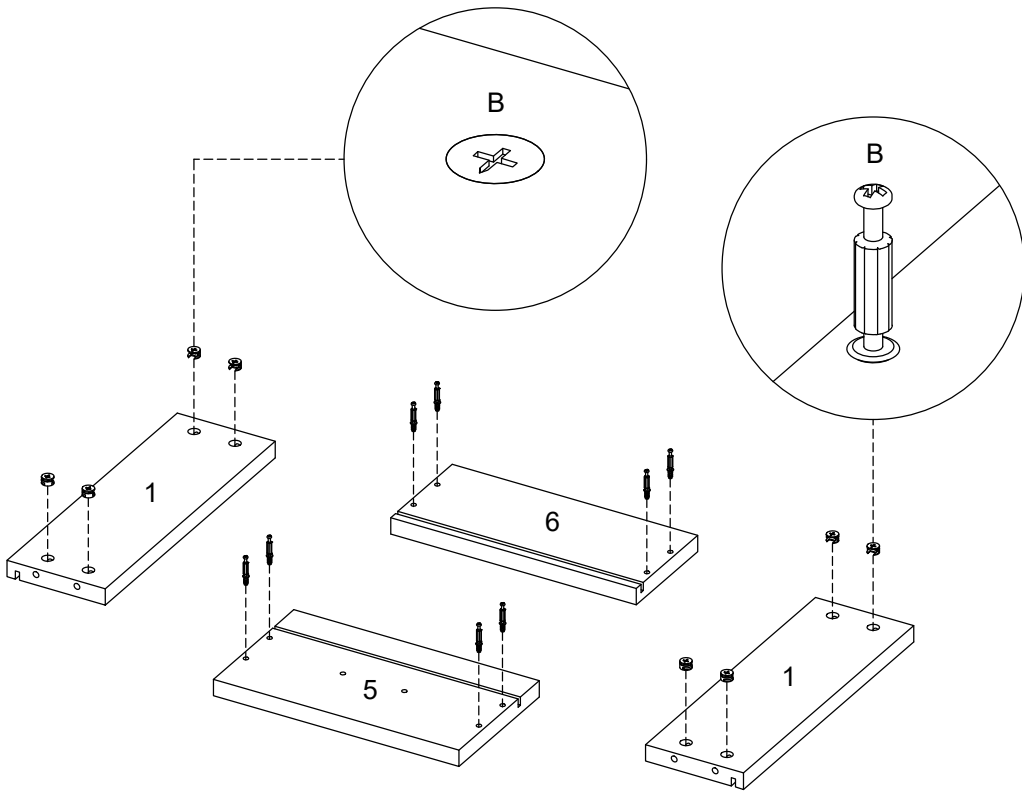
Step 05



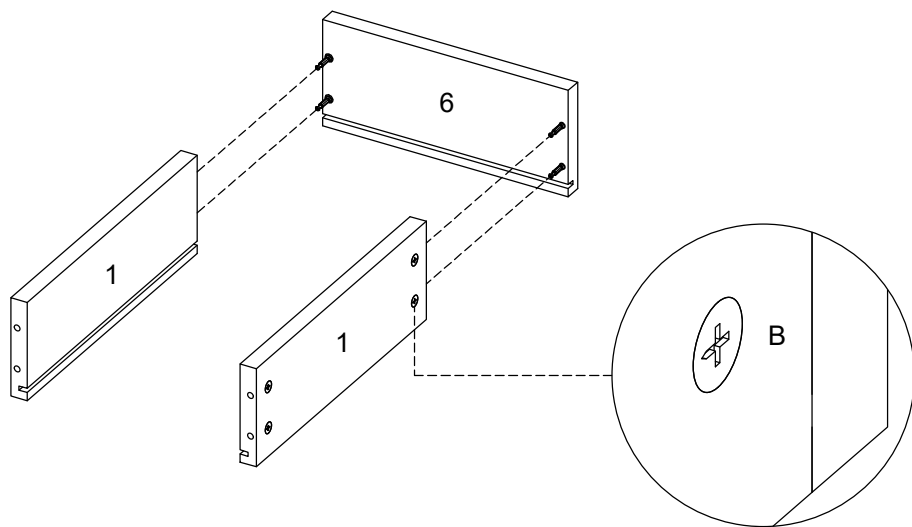
Step 06



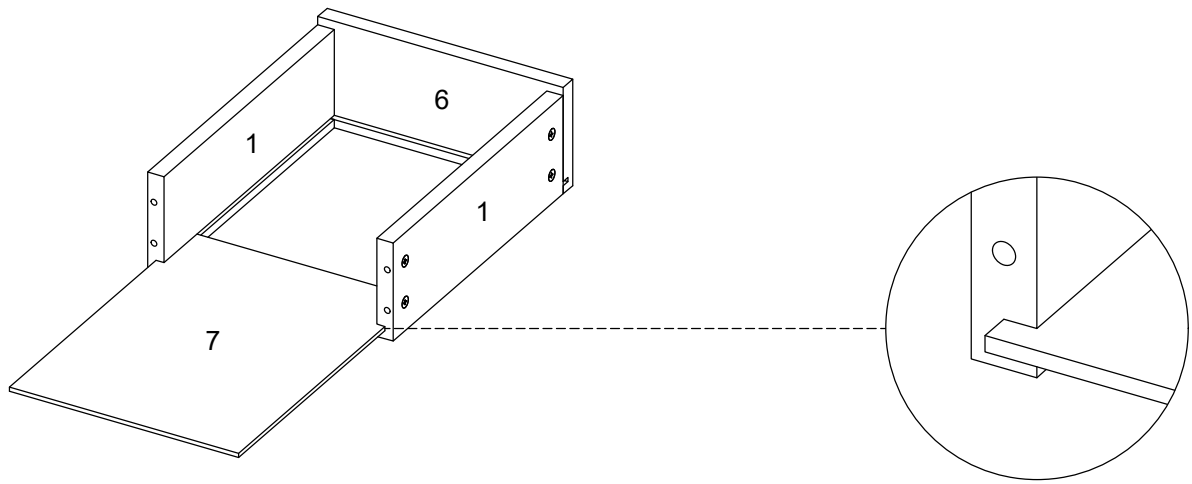
Step 07



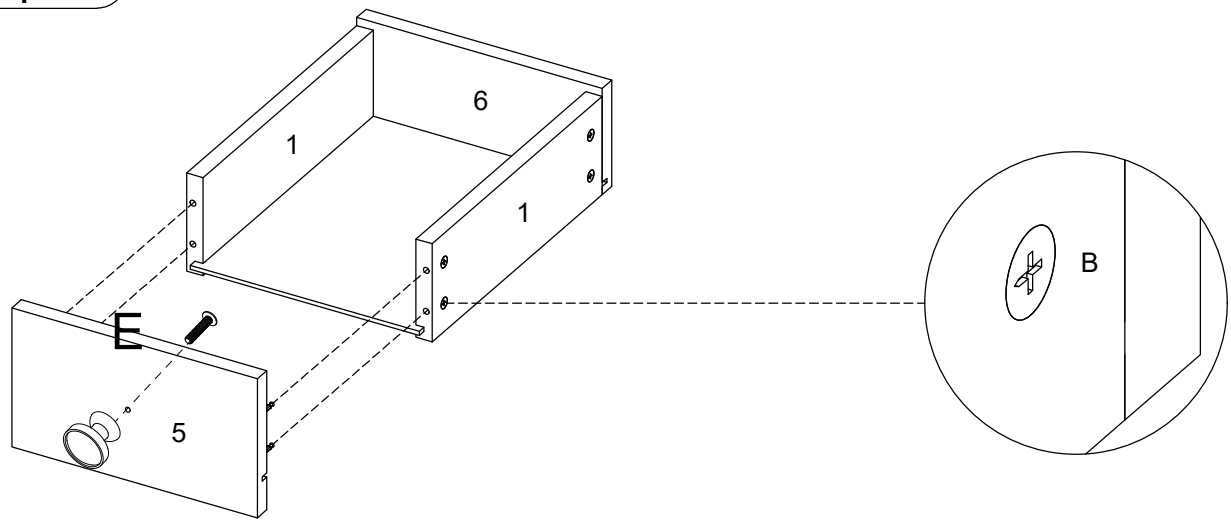
Step 08



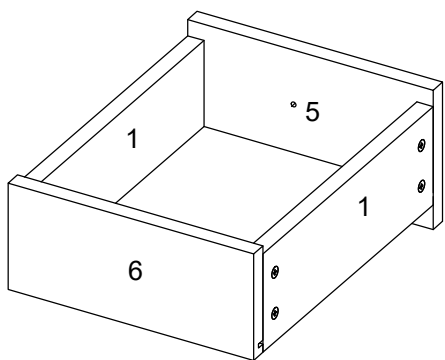
Step 09



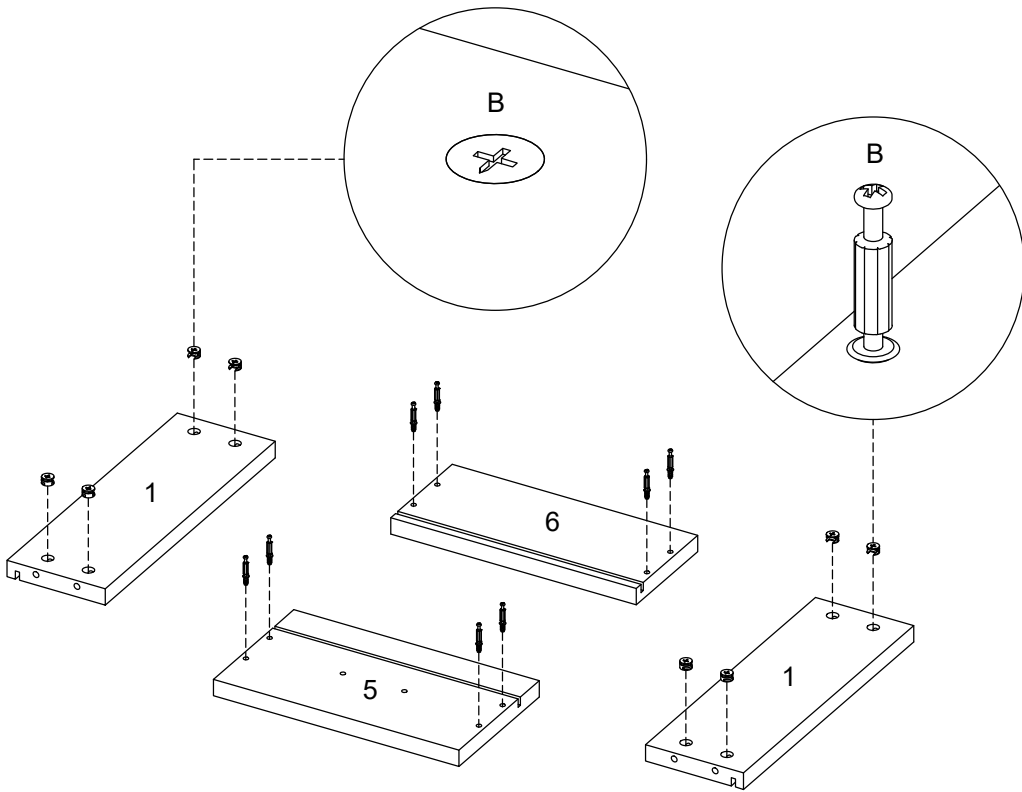
Step 10



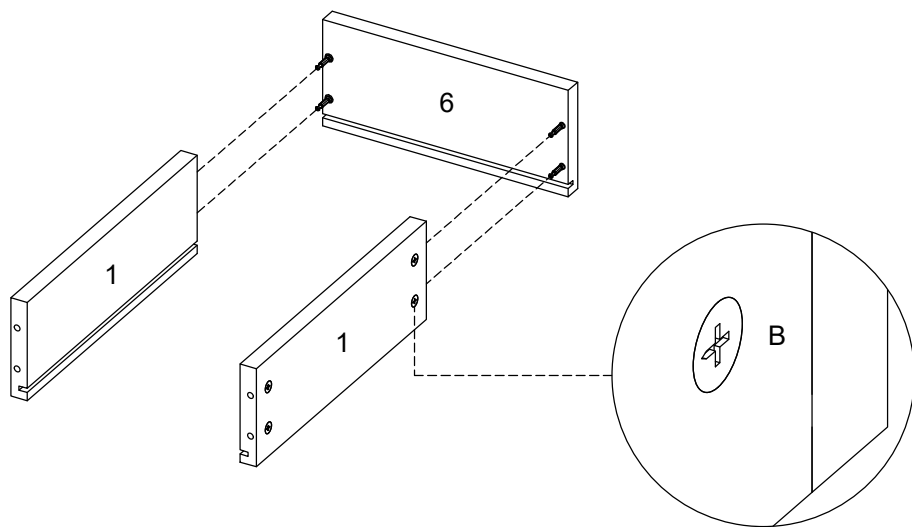
Step 11



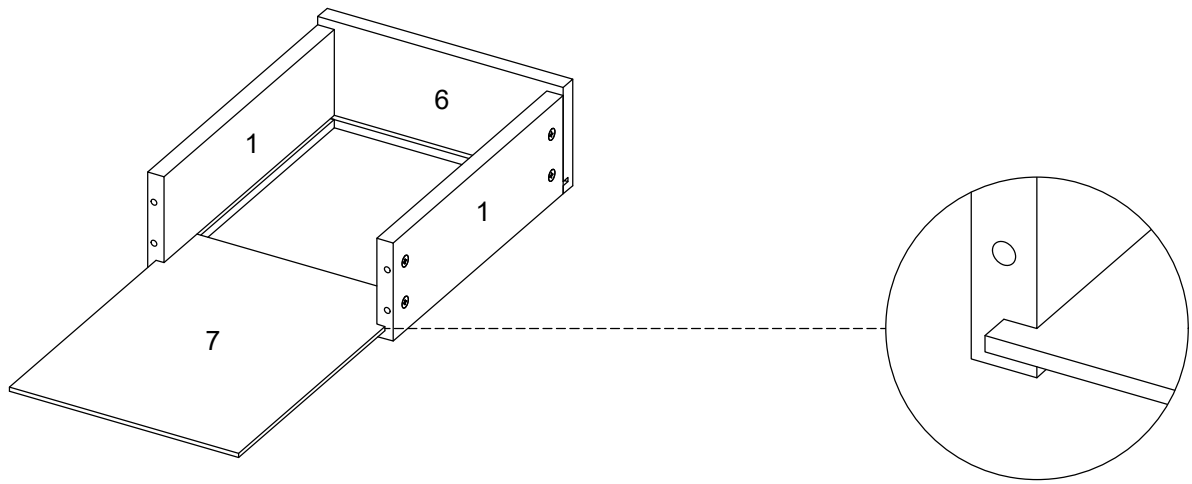
Step 12



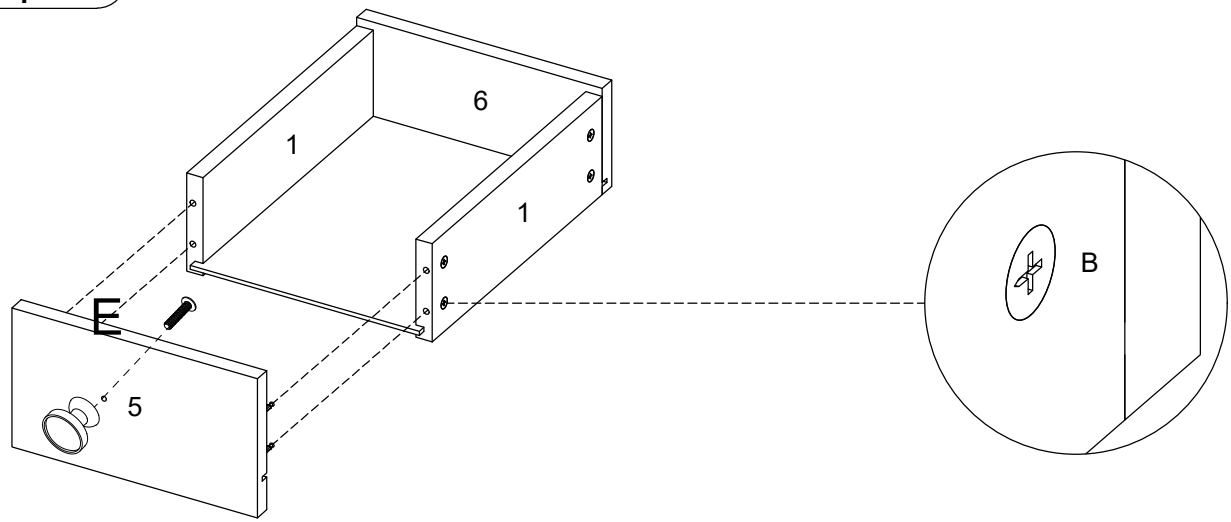
Step 13



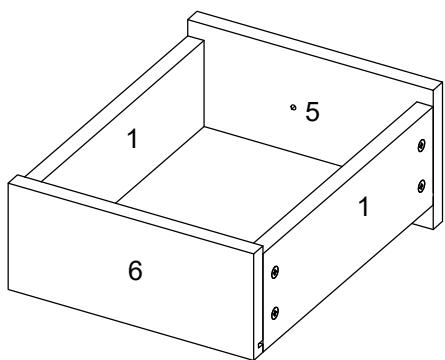
Step 14



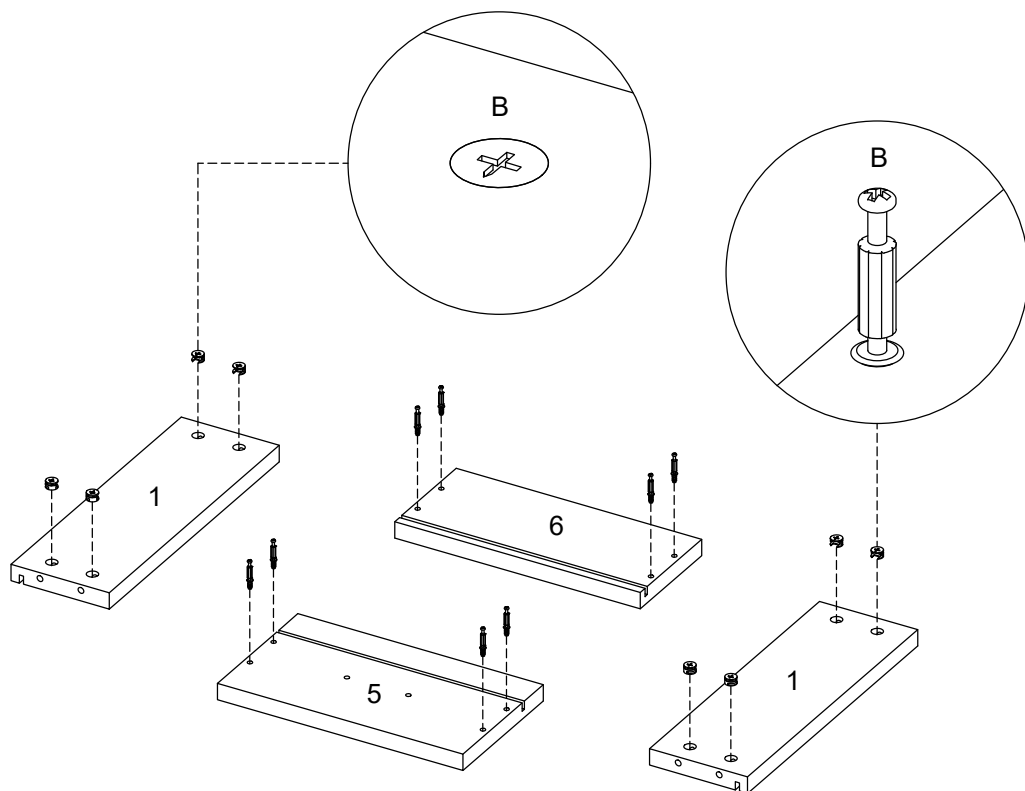
Step 15



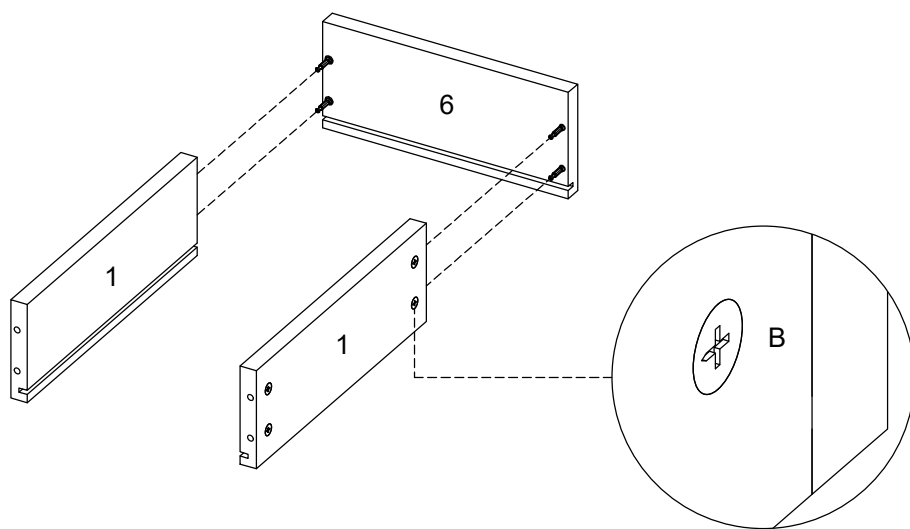
Step 16



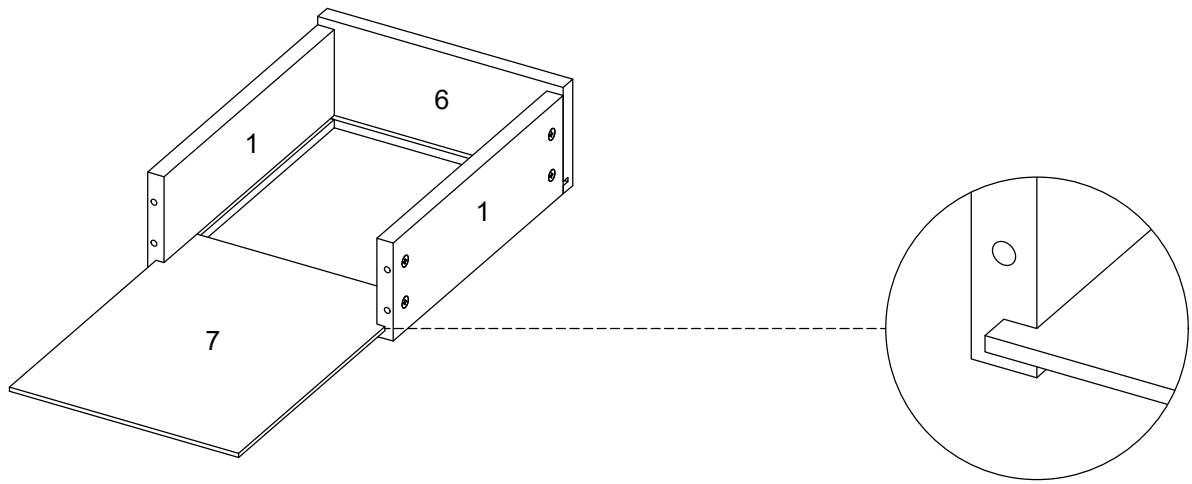
Step 17



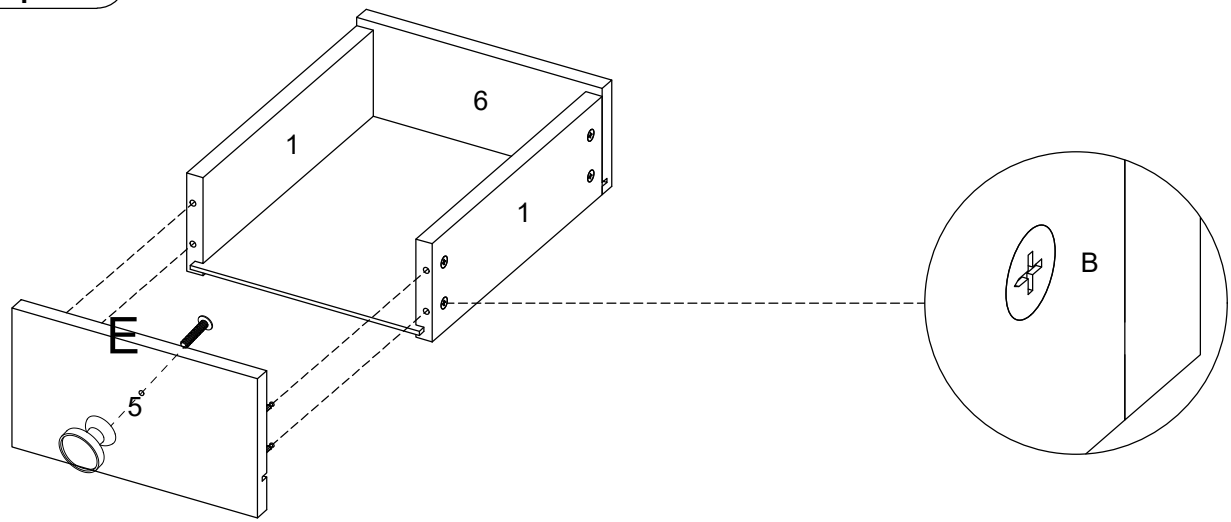
Step 18



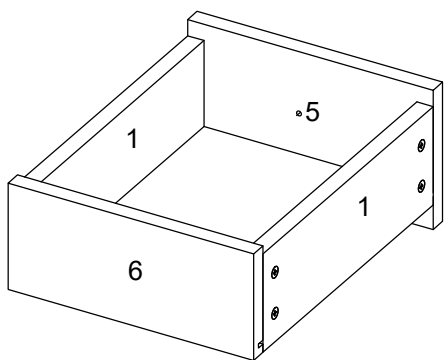
Step 19



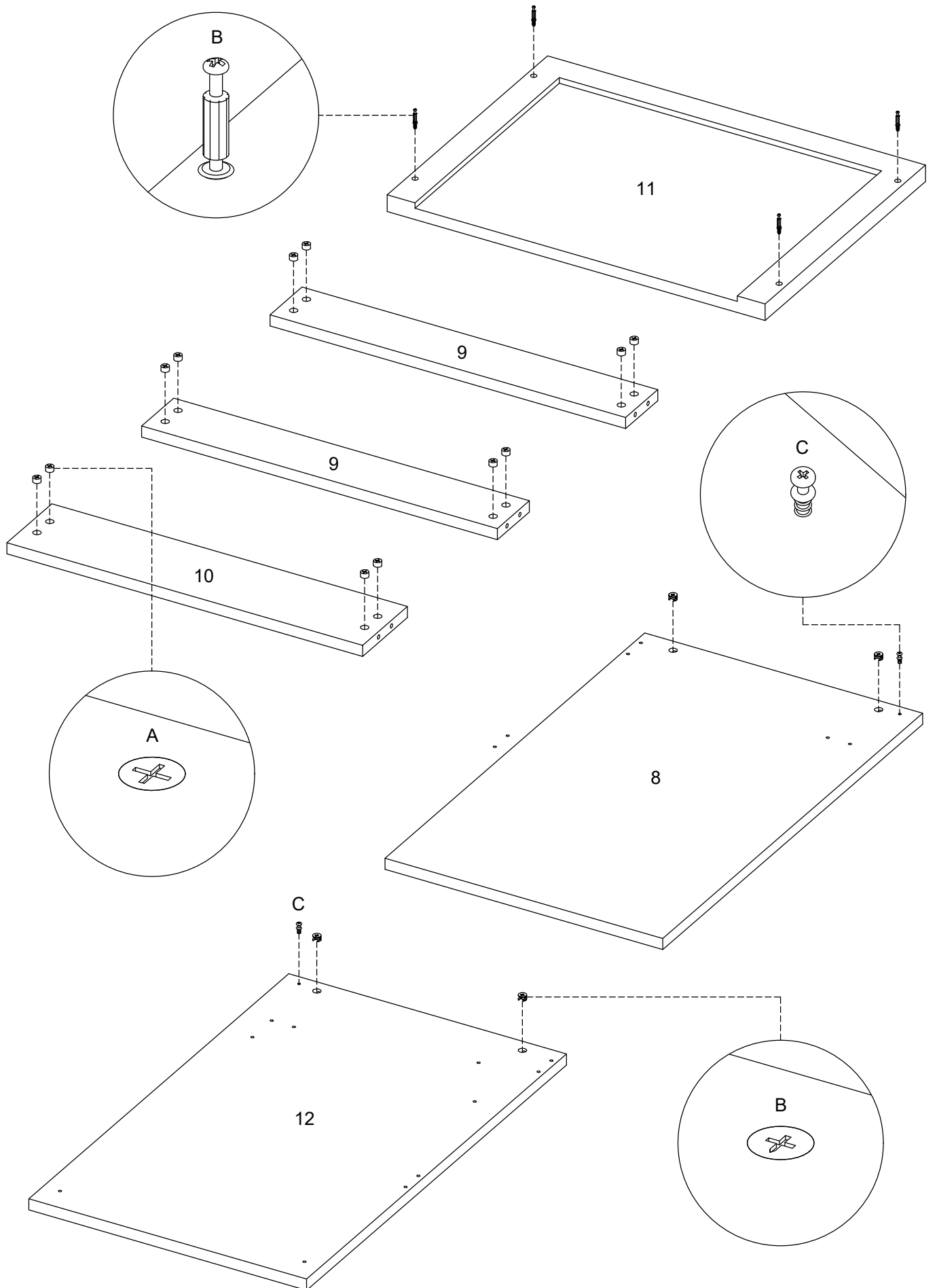
Step 20



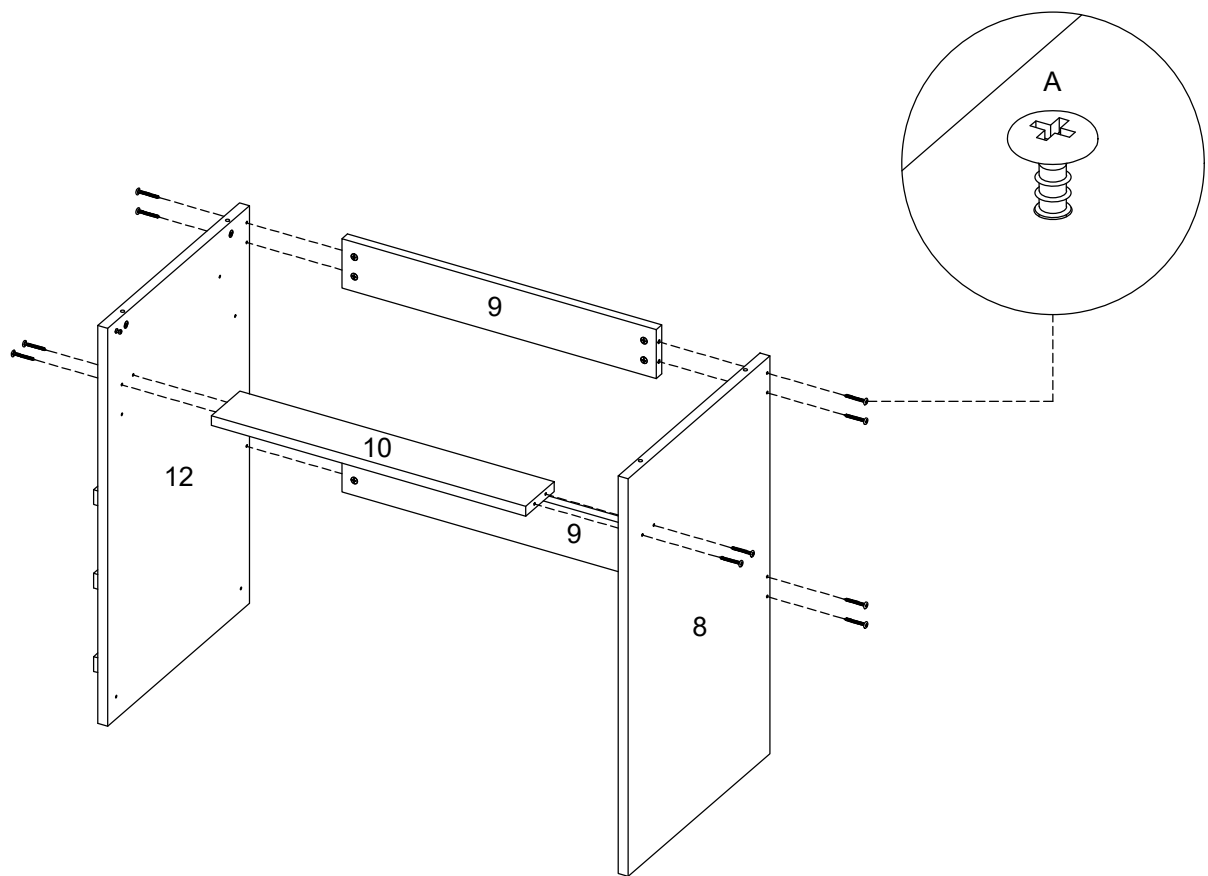
Step 21



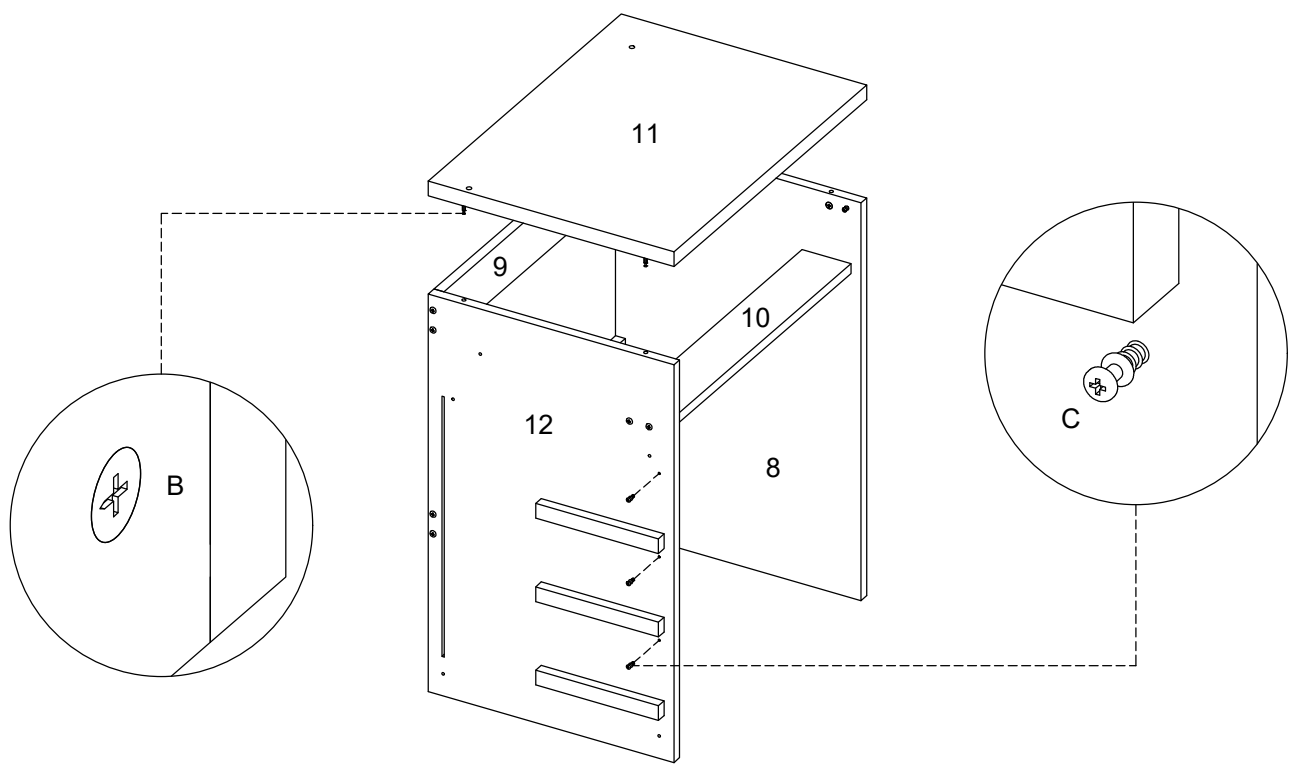
Step 22



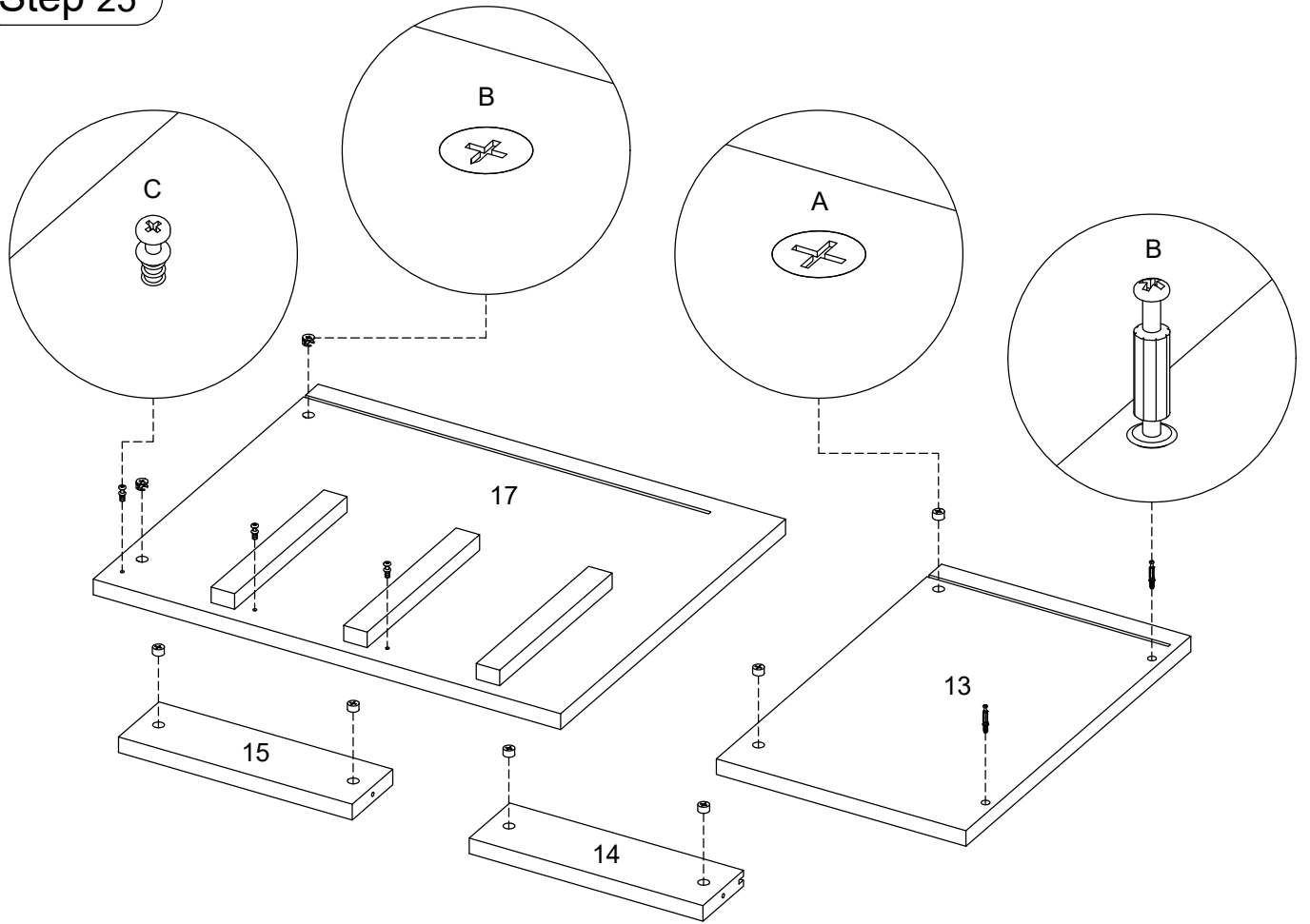
Step 23



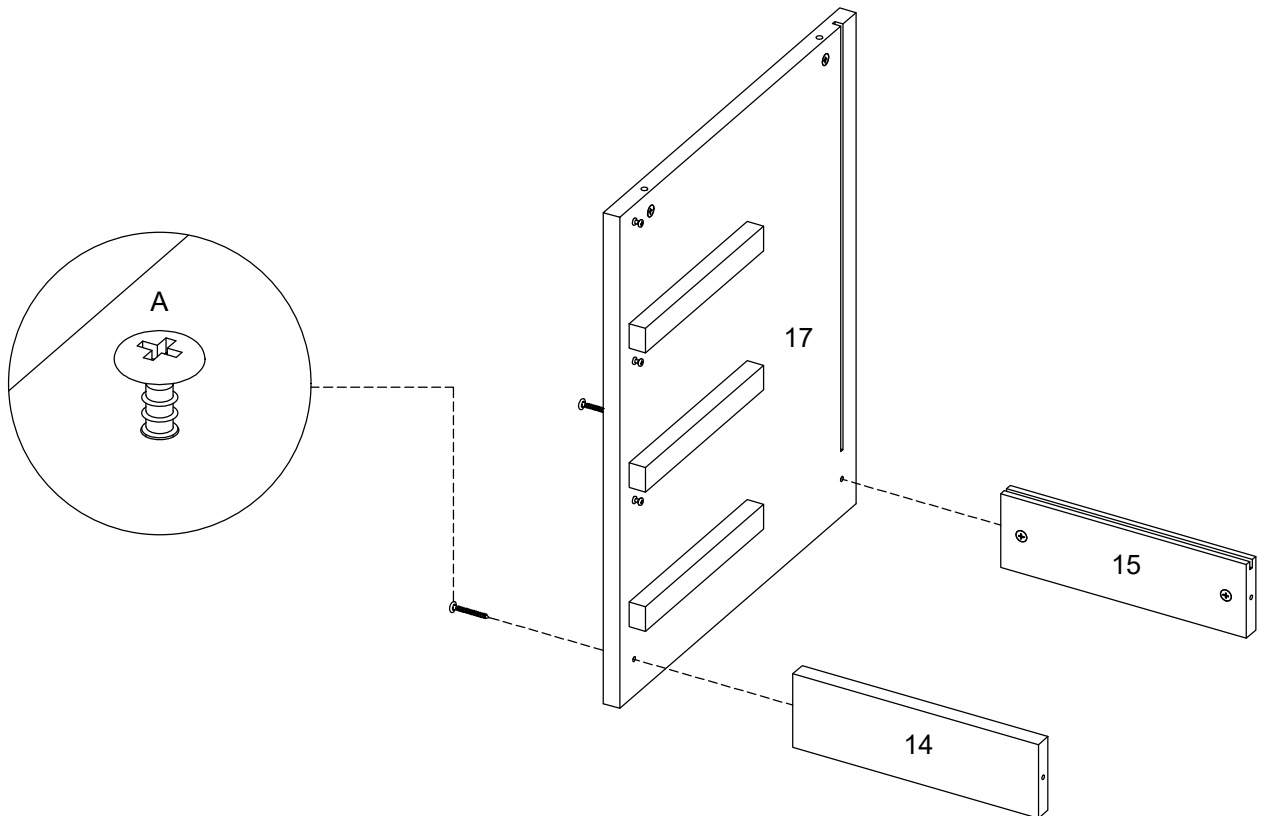
Step 24



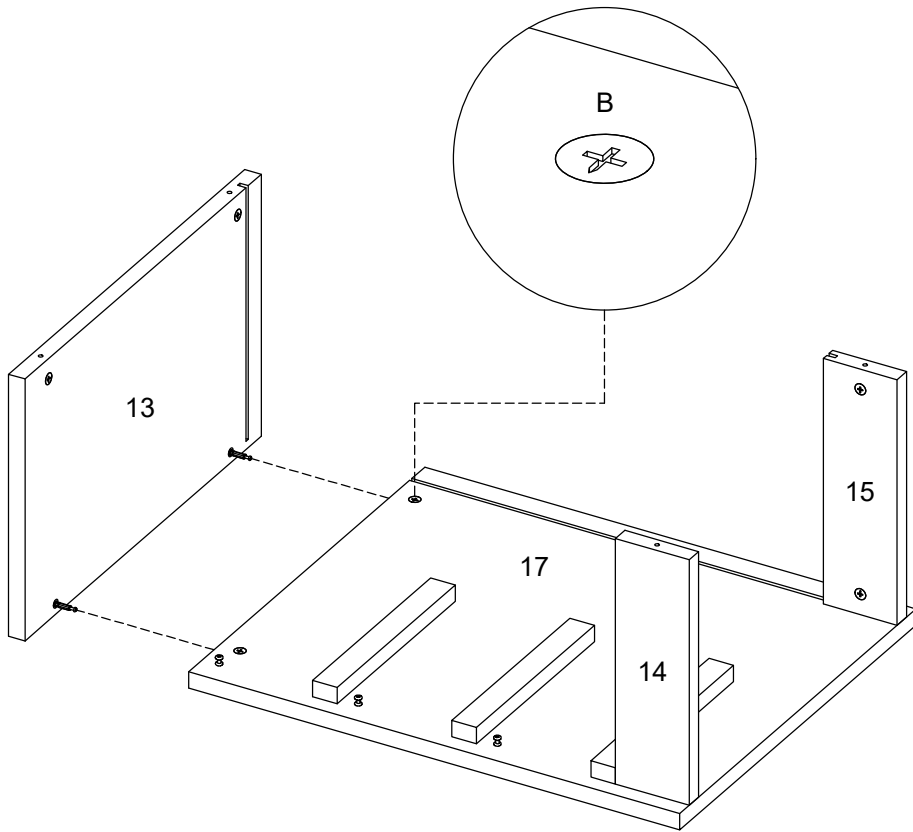
Step 25



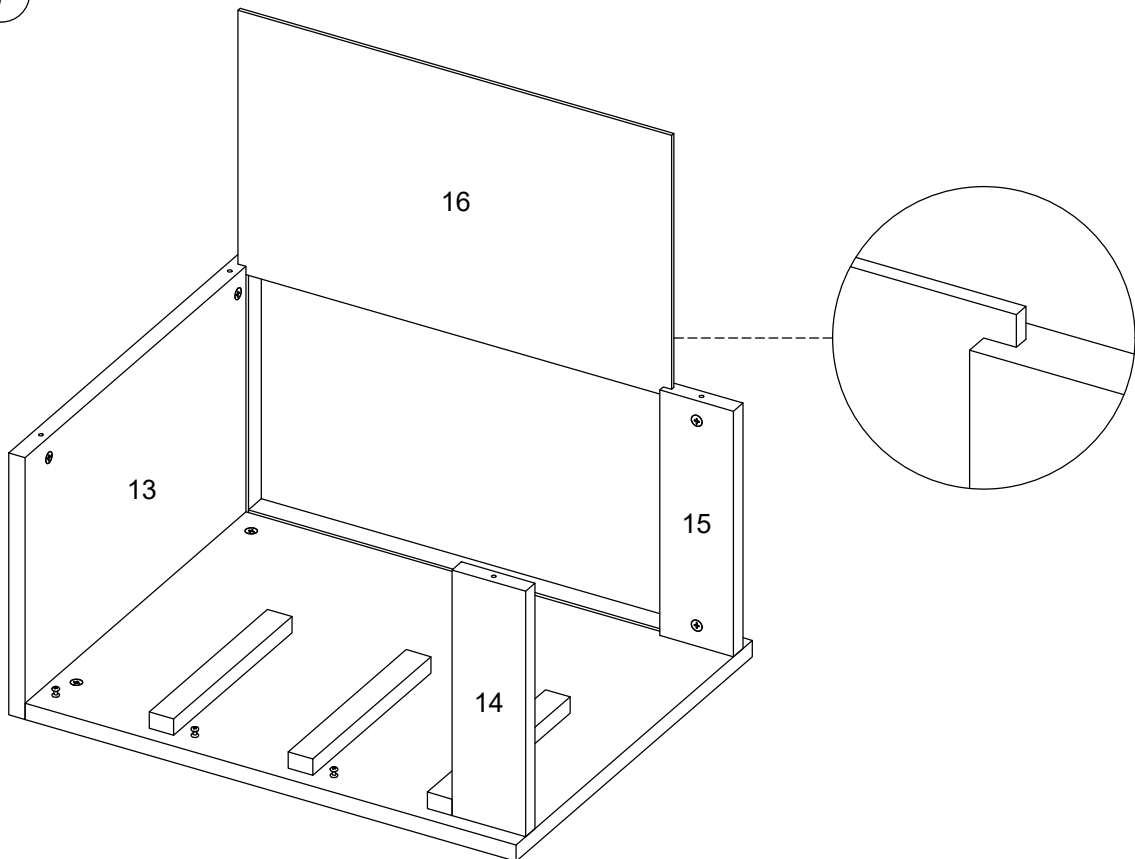
Step 26



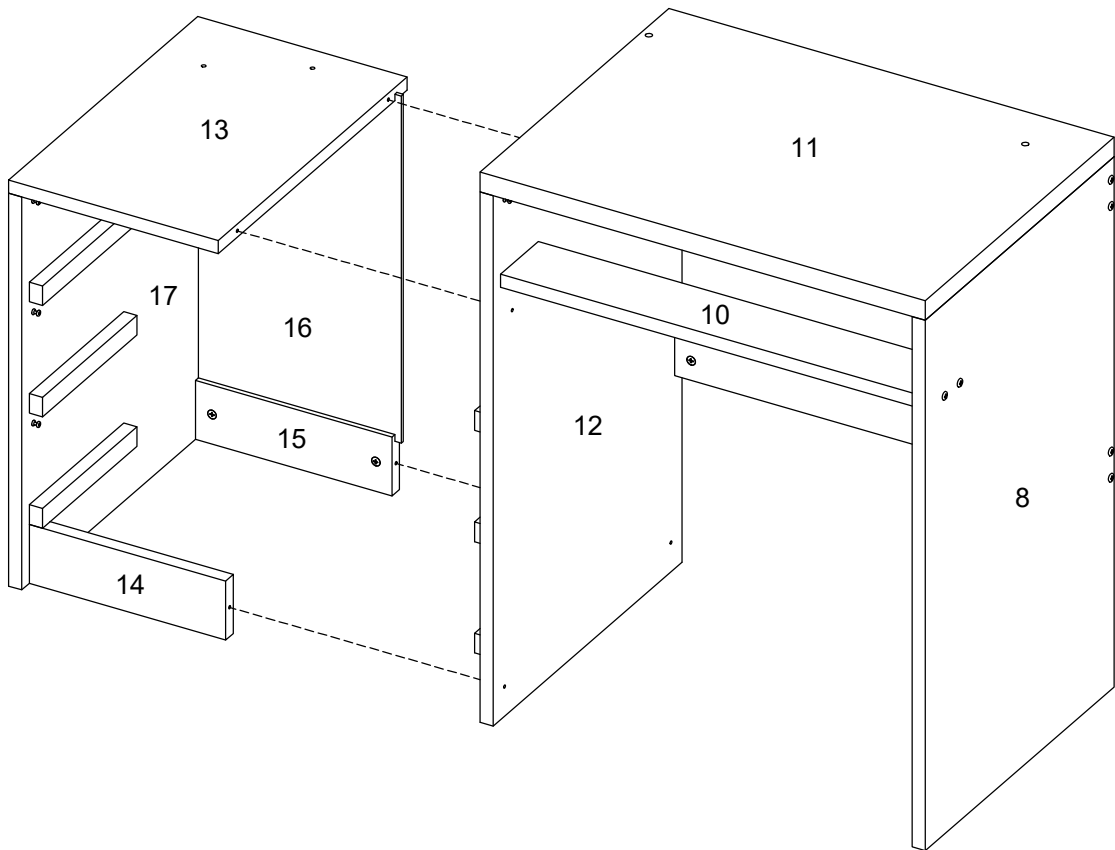
Step 27



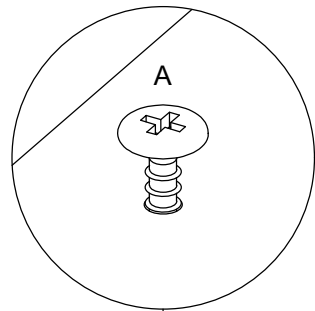
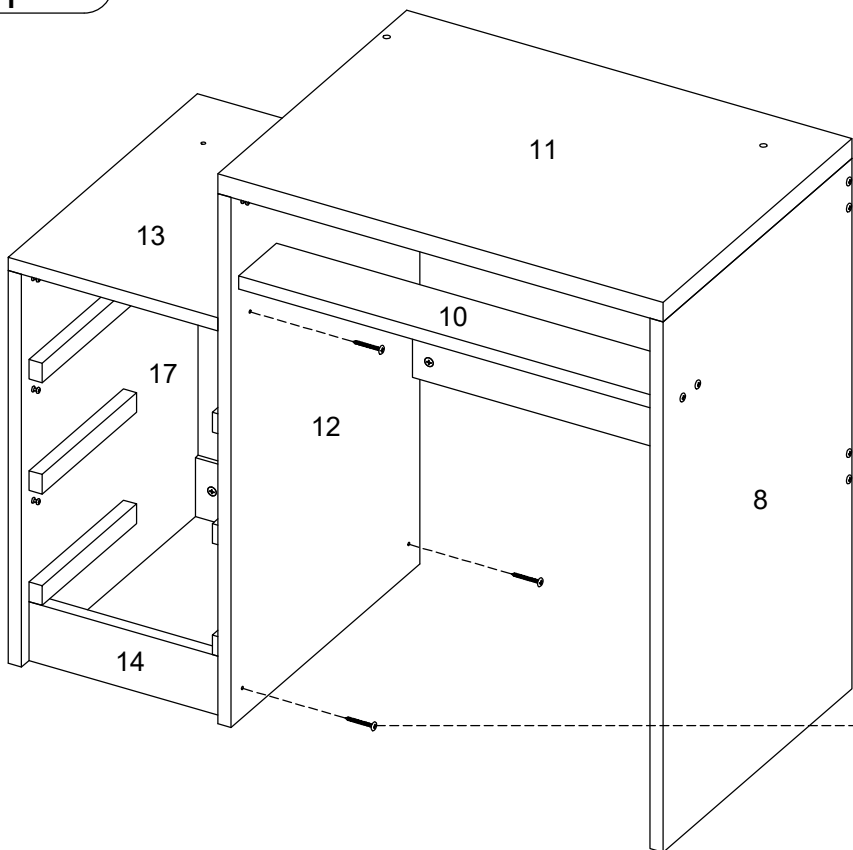
Step 28



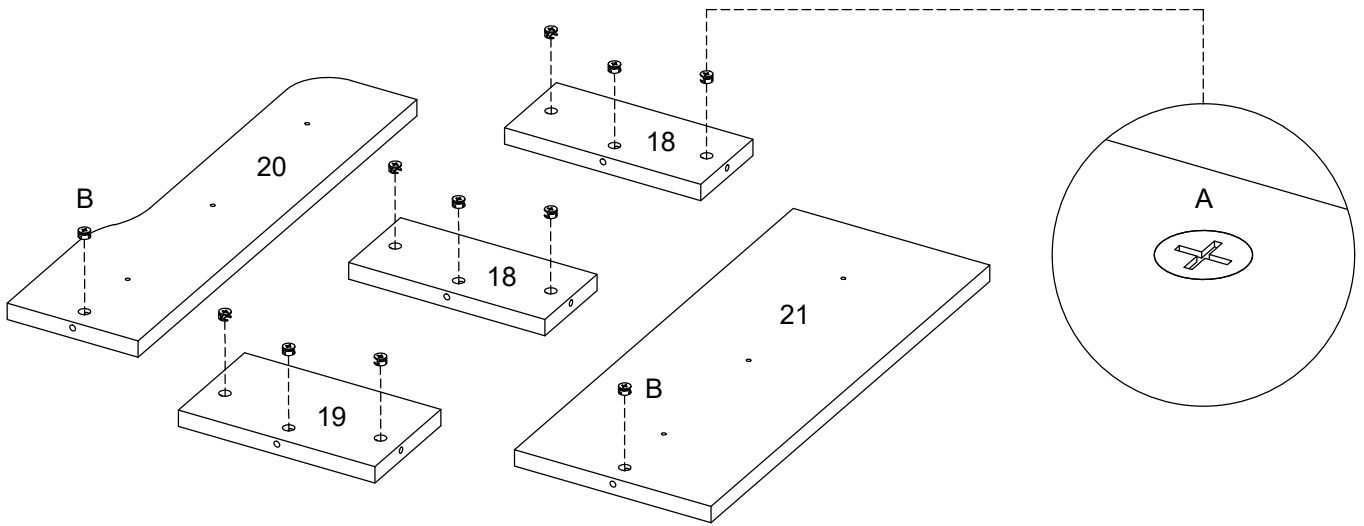
Step 29



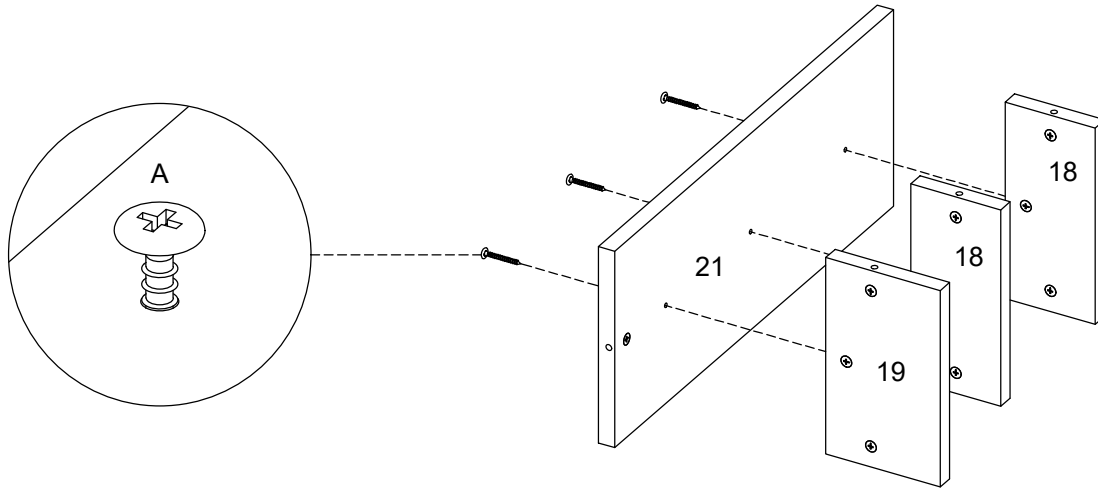
Step 30



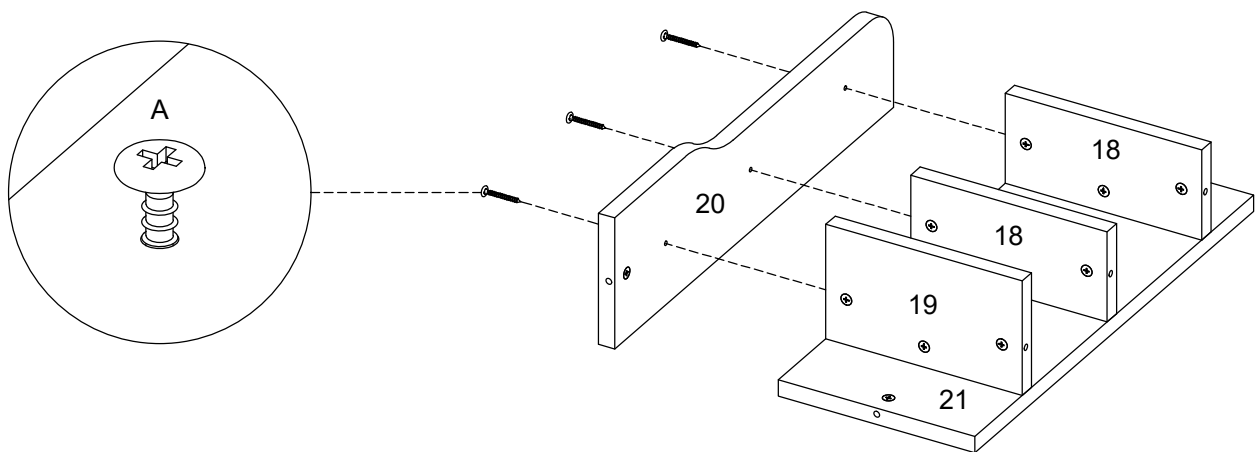
Step 31



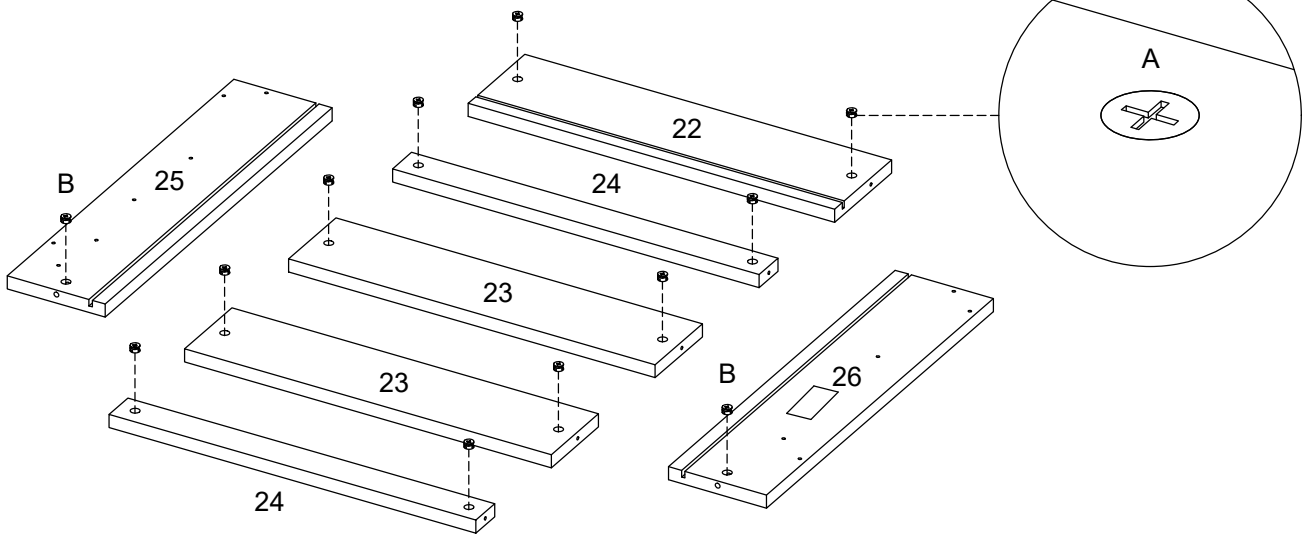
Step 32



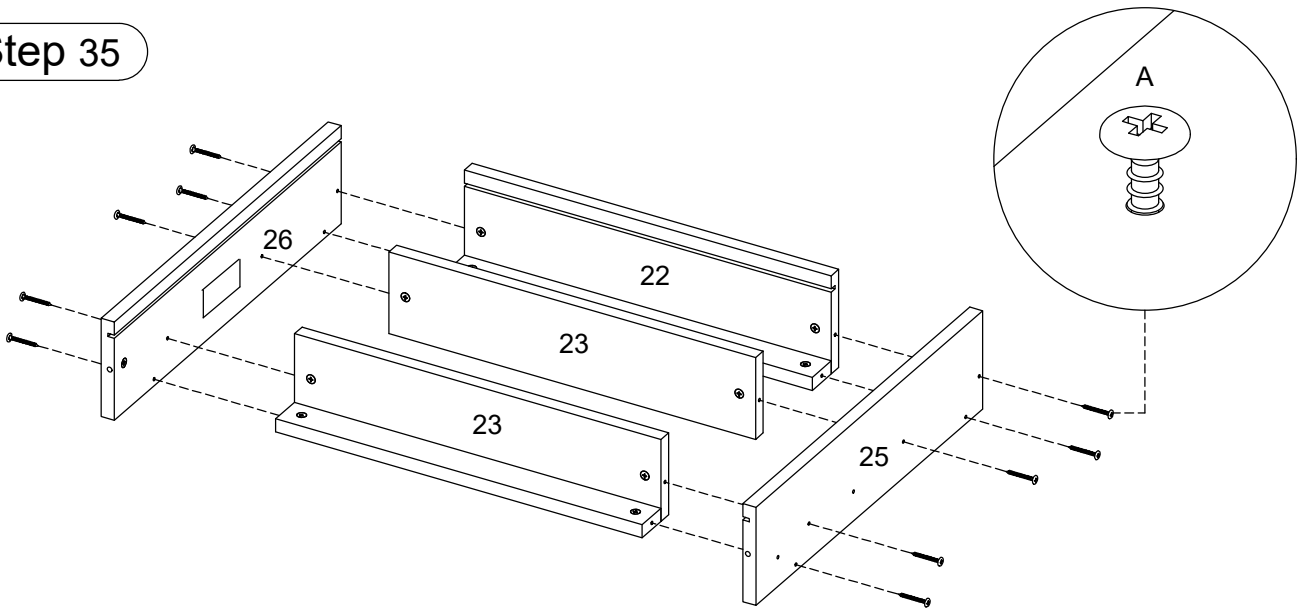
Step 33



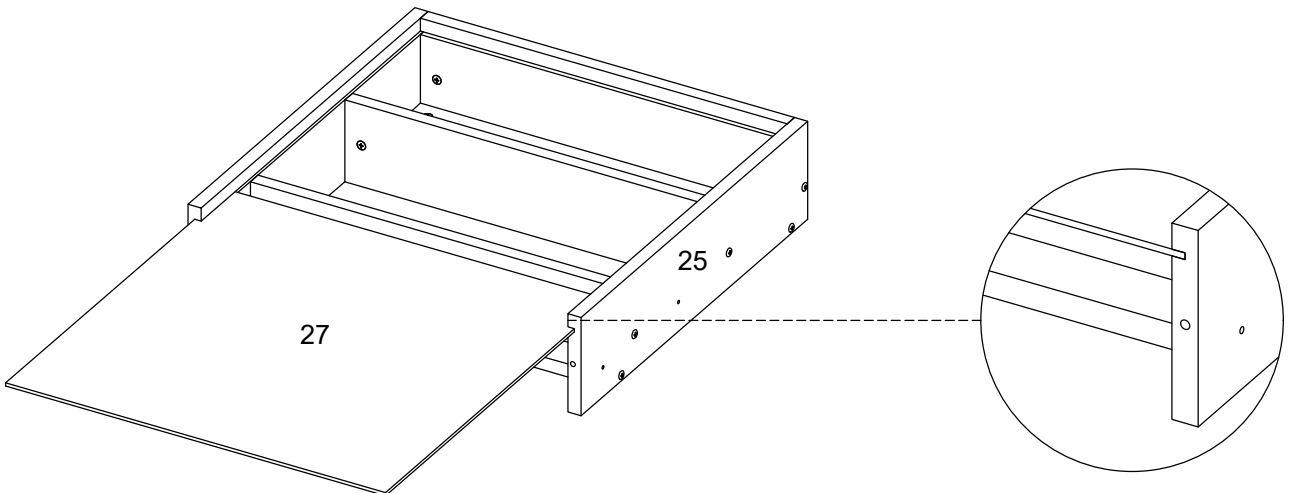
Step 34



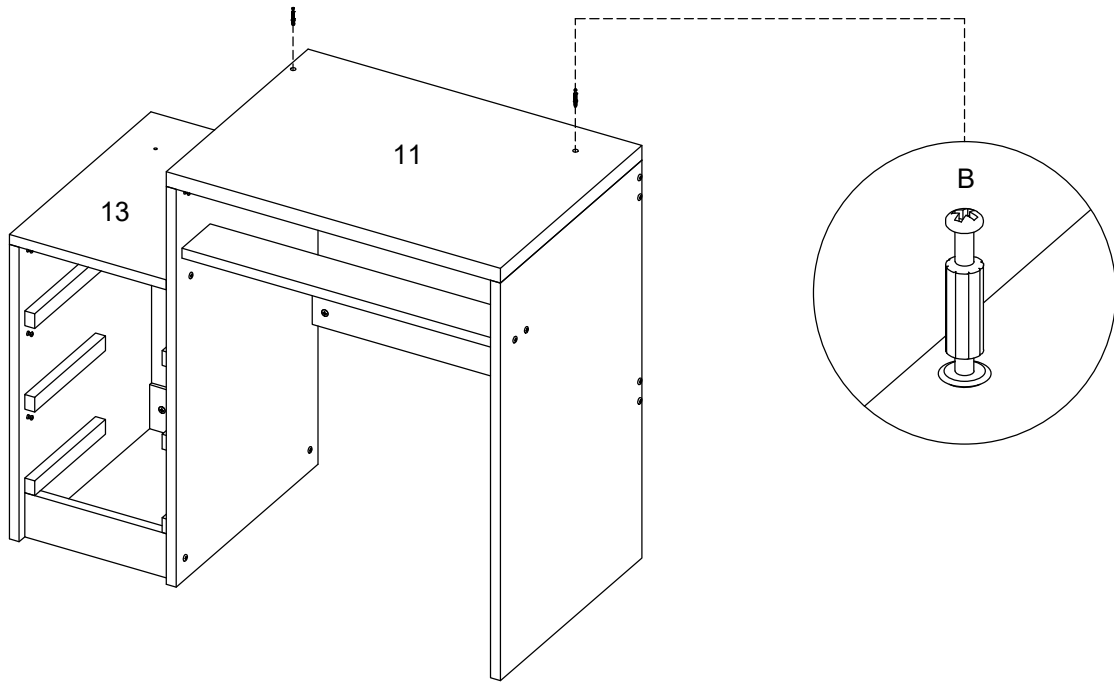
Step 35



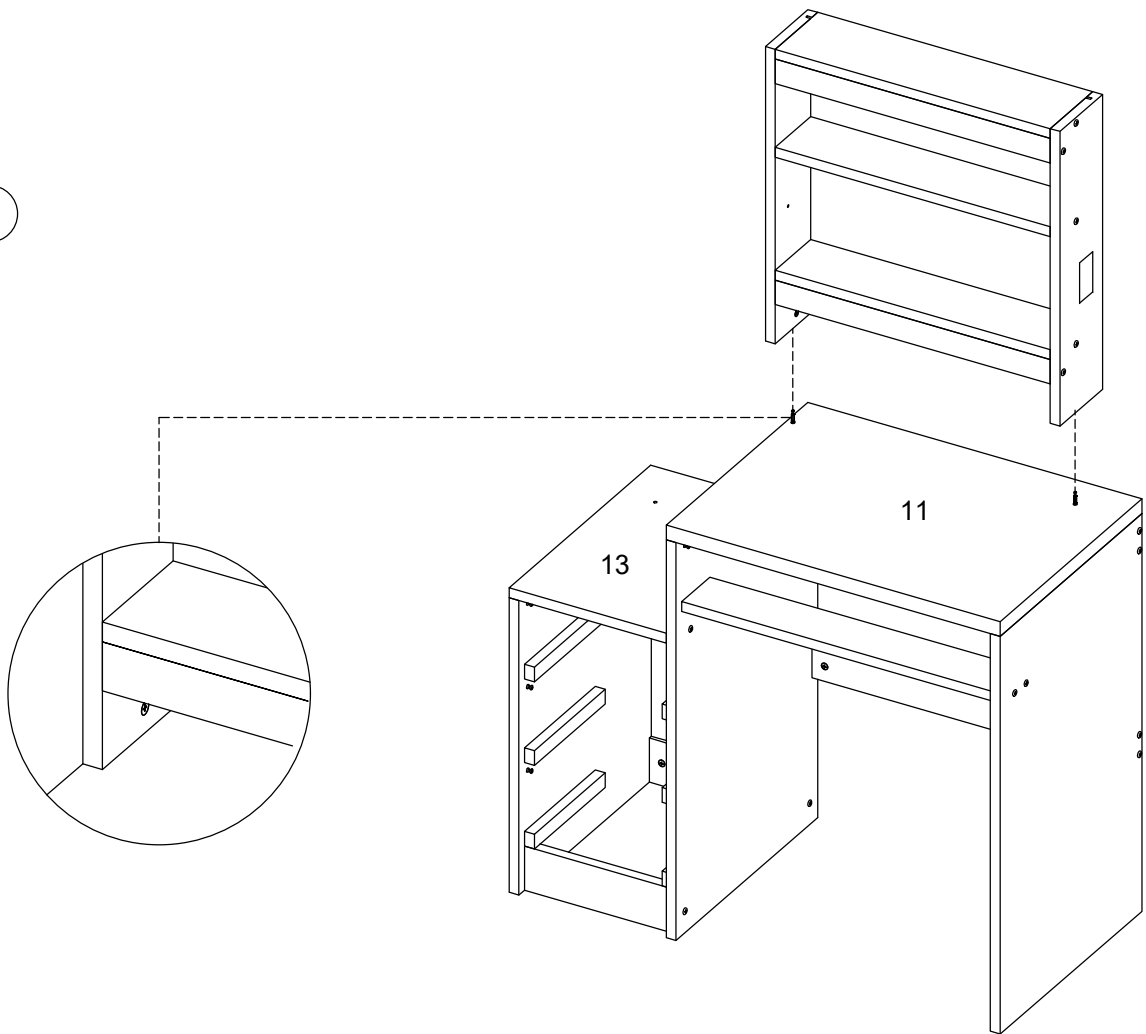
Step 36



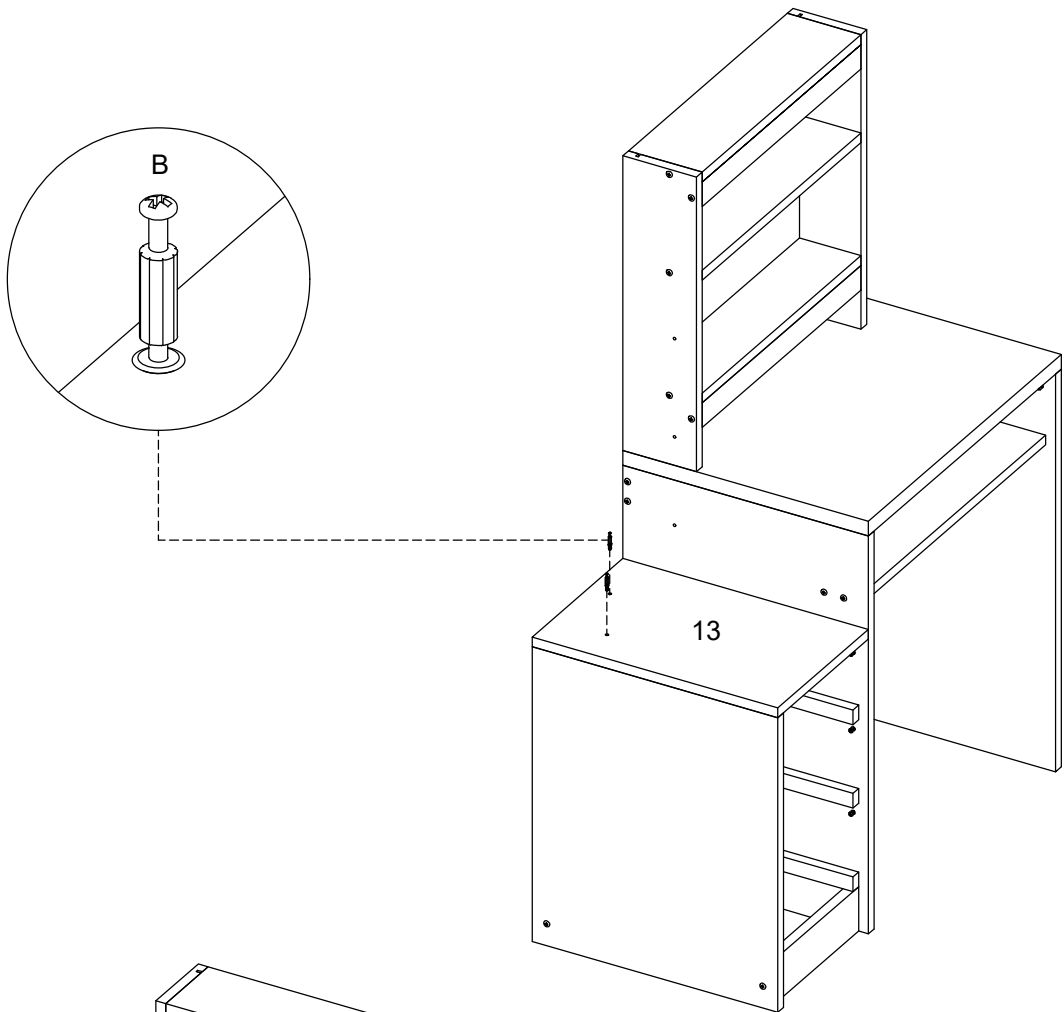
Step 37



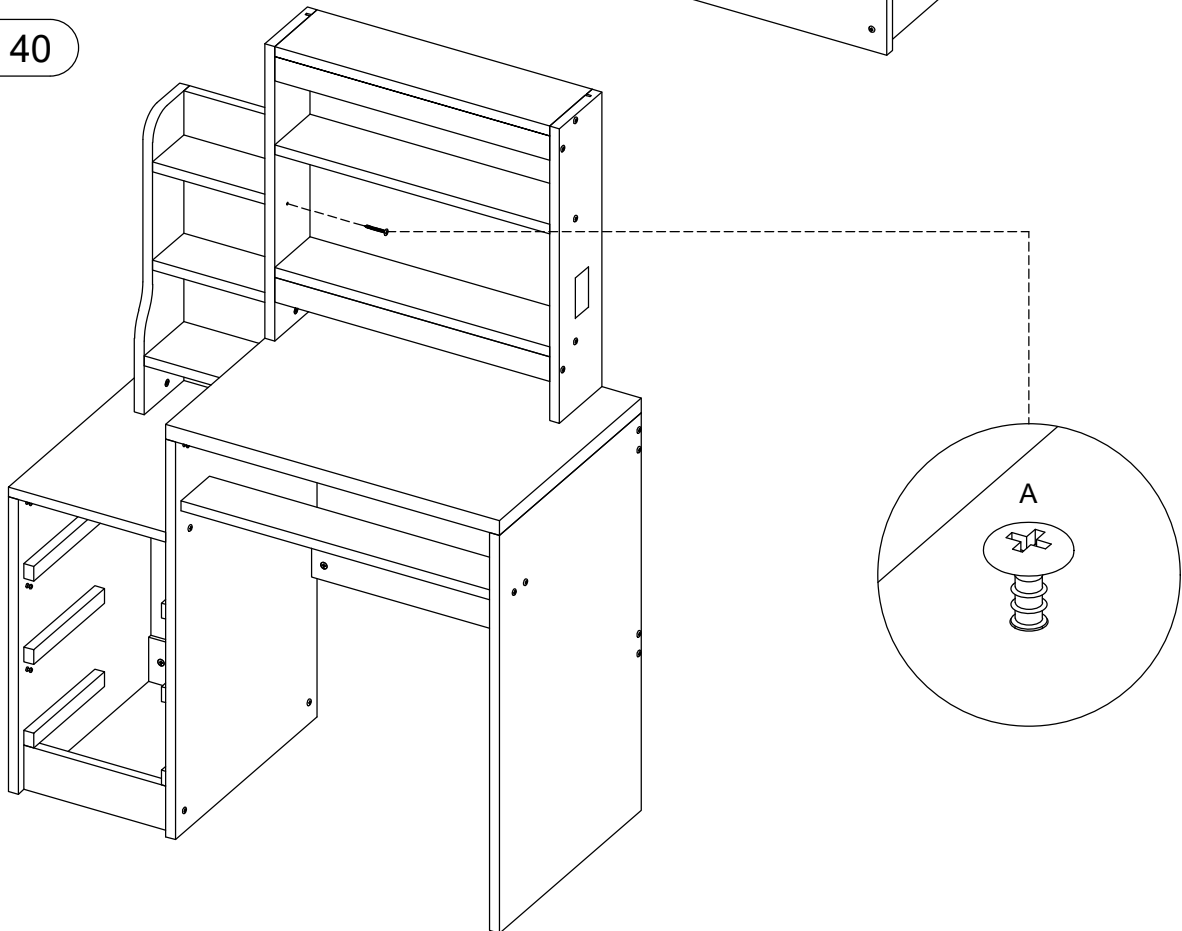
Step 38



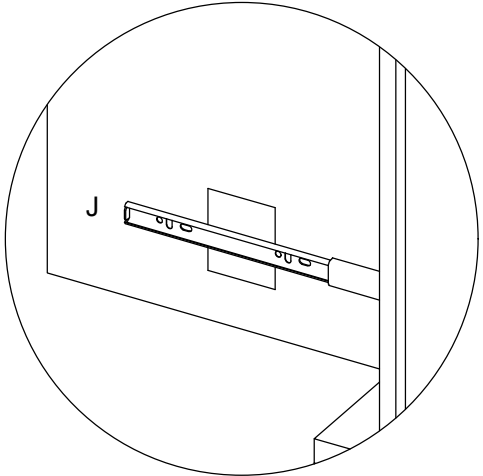
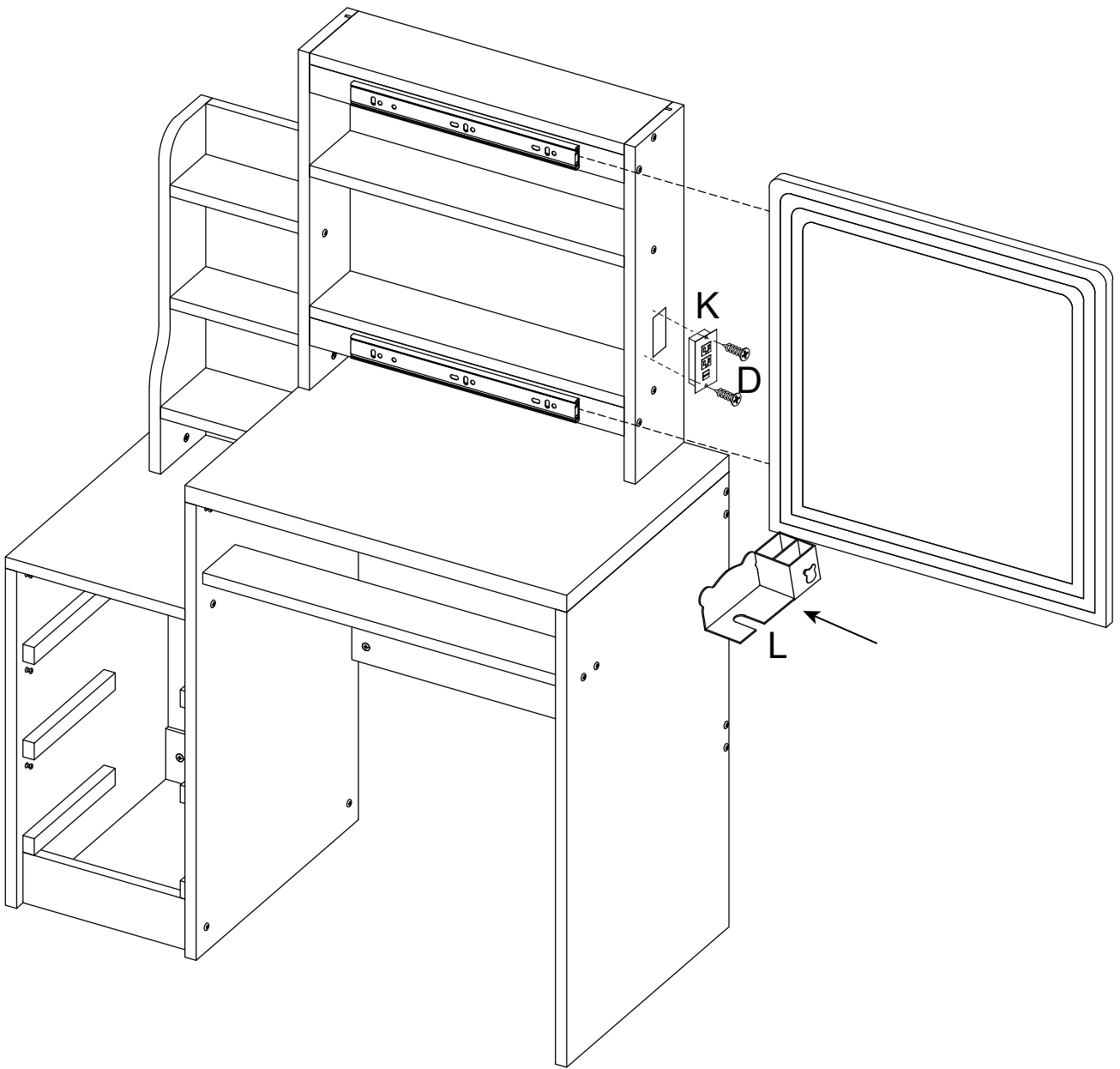
Step 39



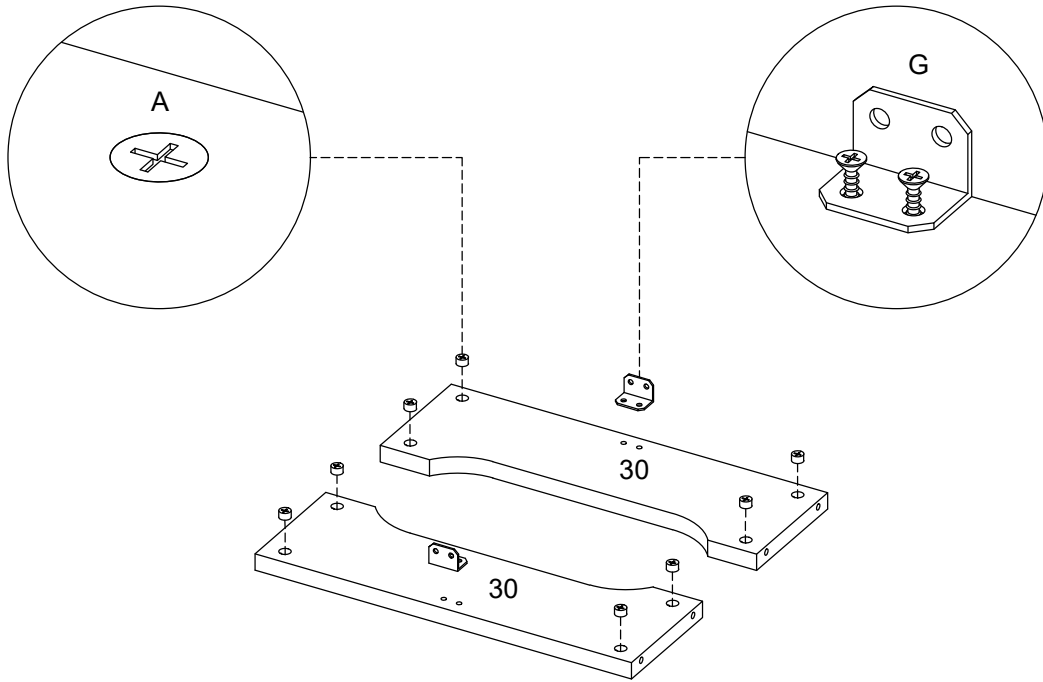
Step 40



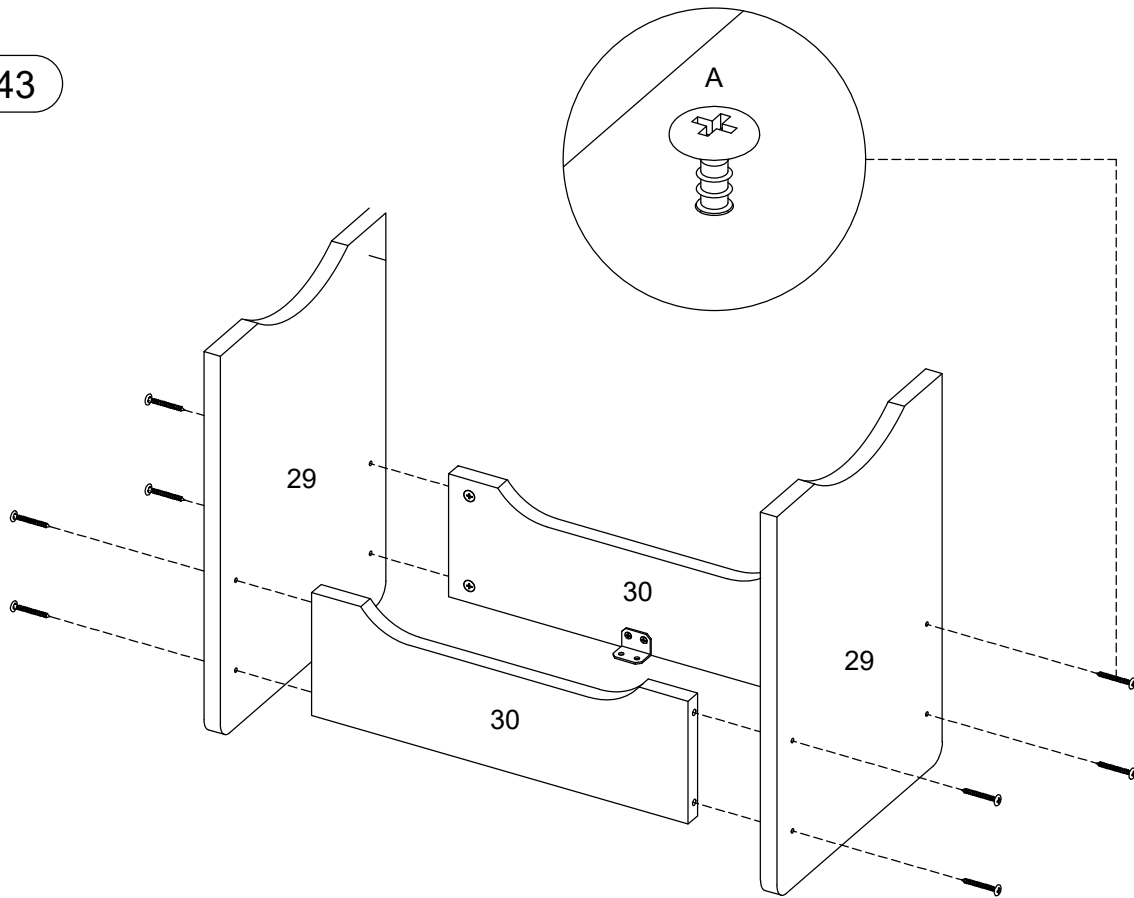
Step 41



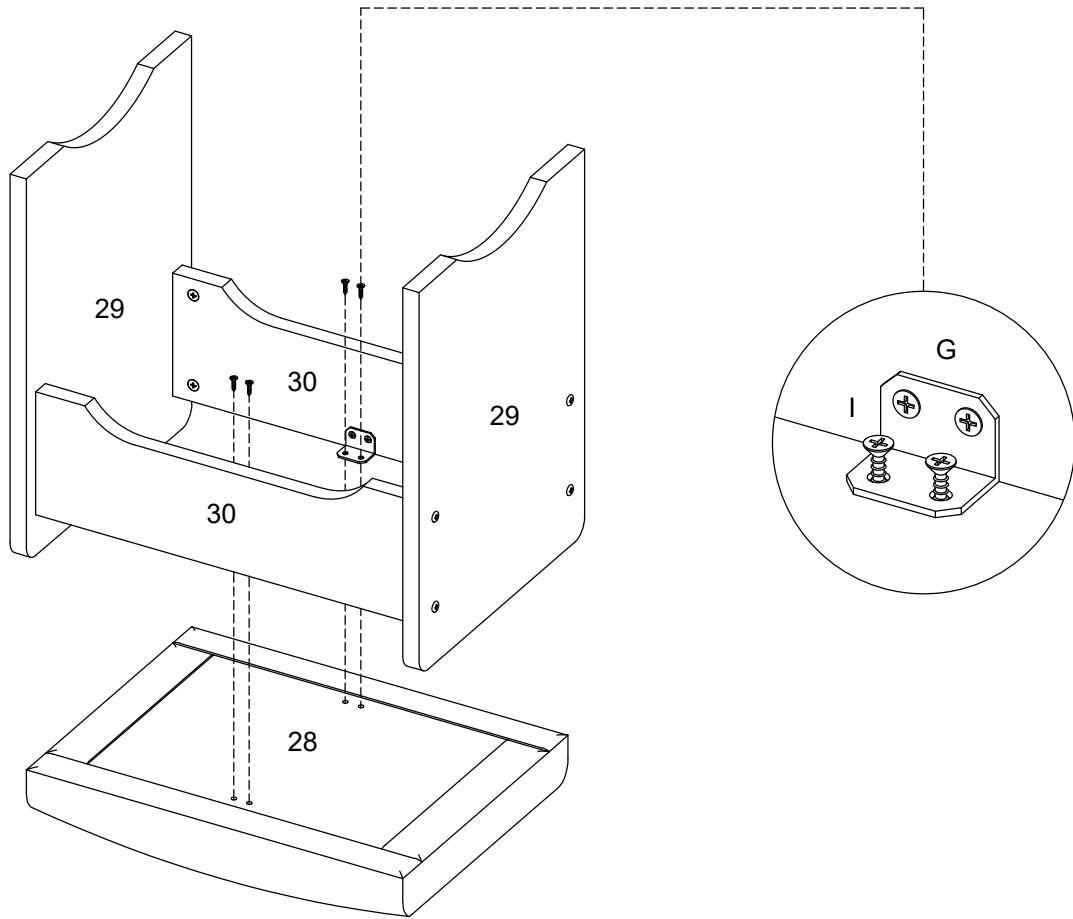
Step 42



Step 43



Step 44



Step 45

