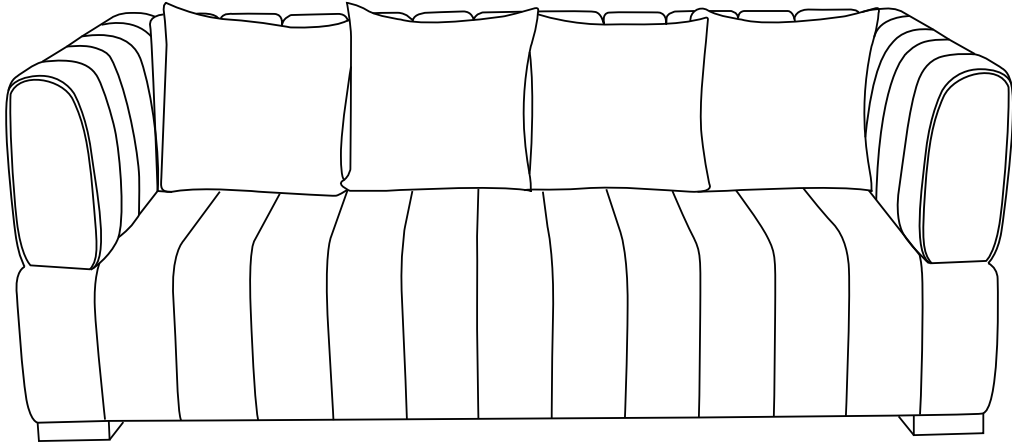
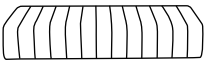
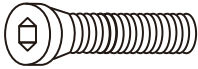








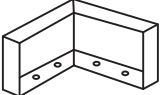



ASSEMBLY INSTRUCTION

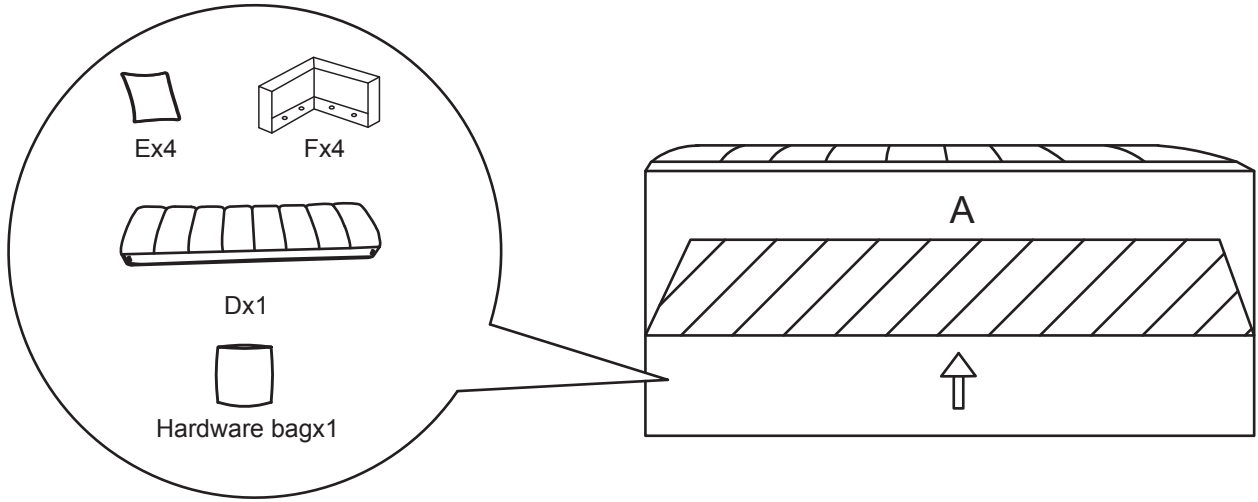
Item NO:1037S-BK/1037S-GY/1037S-BR



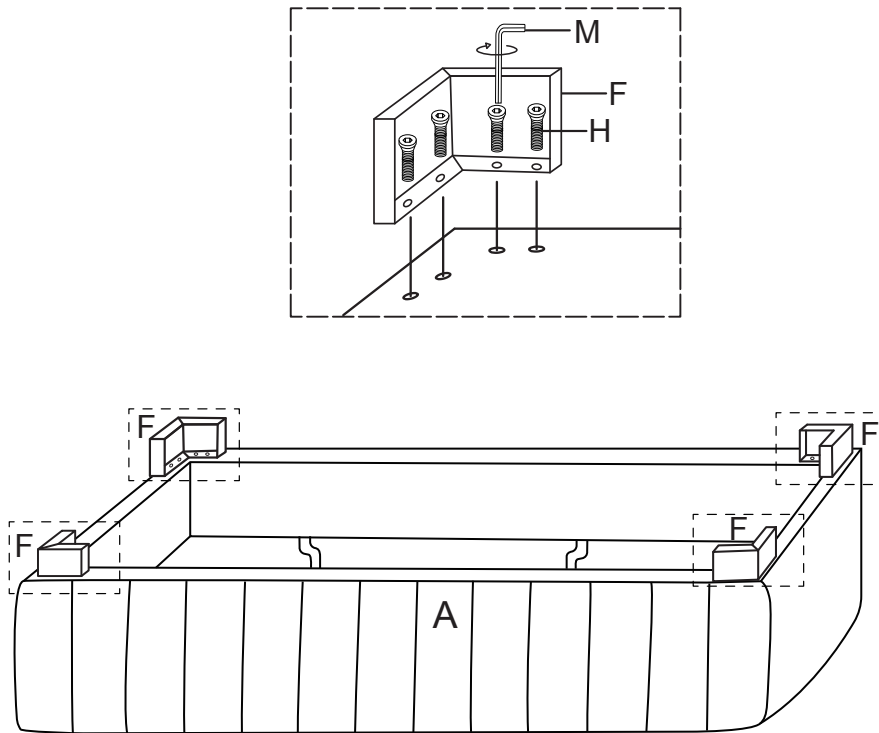
PARTS IDENTIFICATION

A	Seat		1PC	H	Allent Screw 5x30mm		16PCS
B	Left Armrest		1PC	I	Allent Screw 8x240mm		1PC
C	Right Armrest		1PC	J	Washer		1PC
D	Backrest		1PC	K	Wing Nut		1PC
E	Pillow		4PCS	M	Allent Key		1PC
F	Foot		4PCS	N			
G	Latch		4PCS	O			

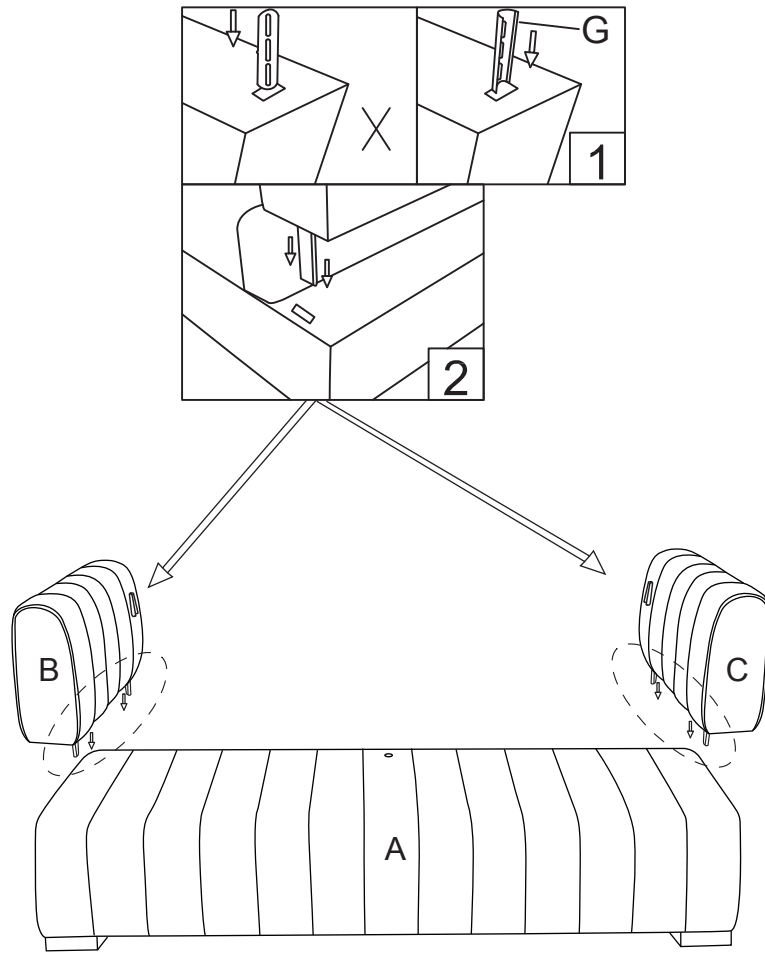
STEP 1



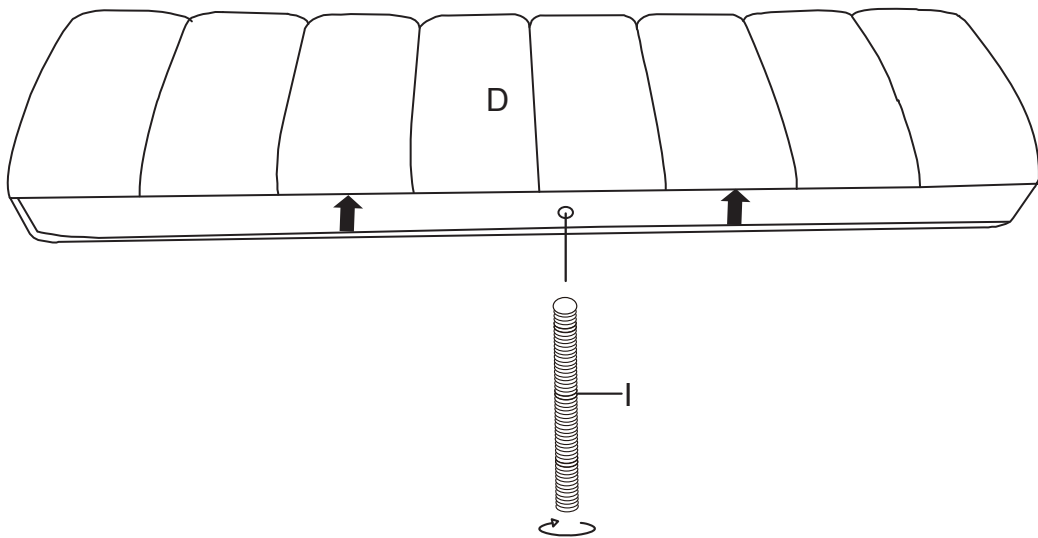
STEP 2



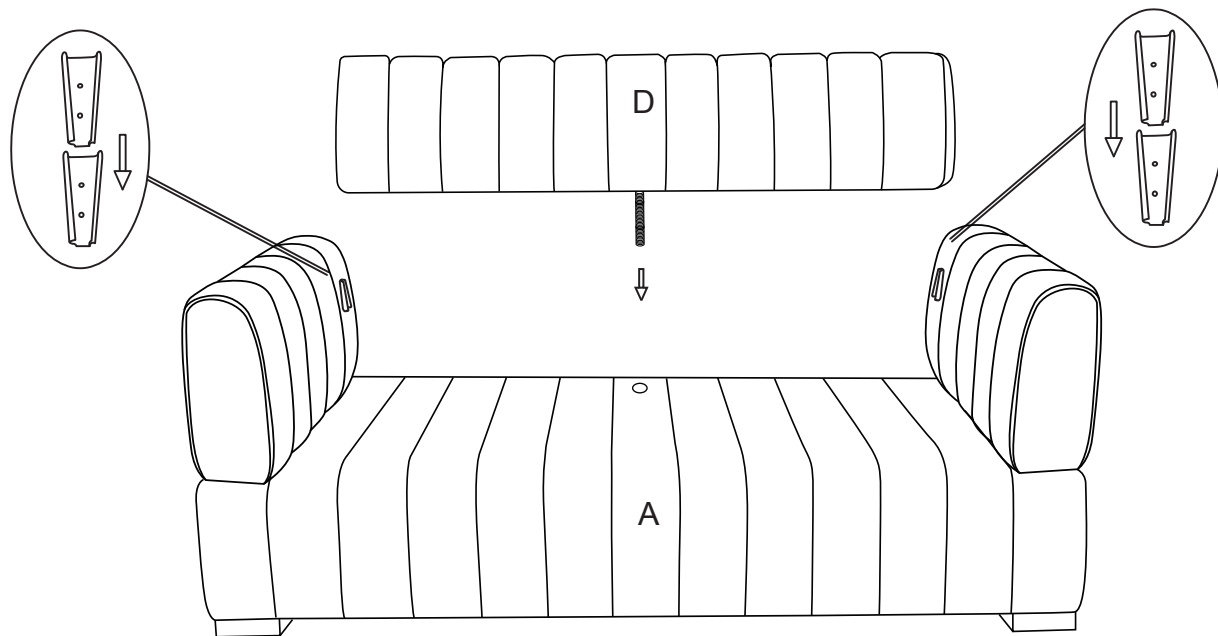
STEP 3



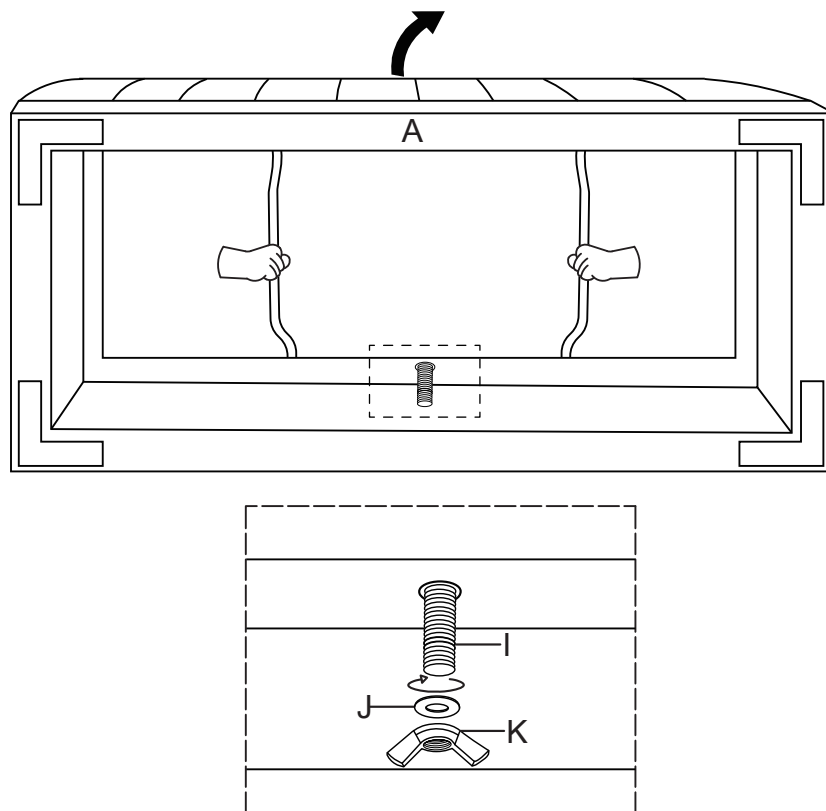
STEP 4



STEP 5



STEP 6



STEP 7

