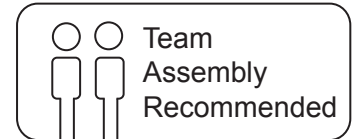
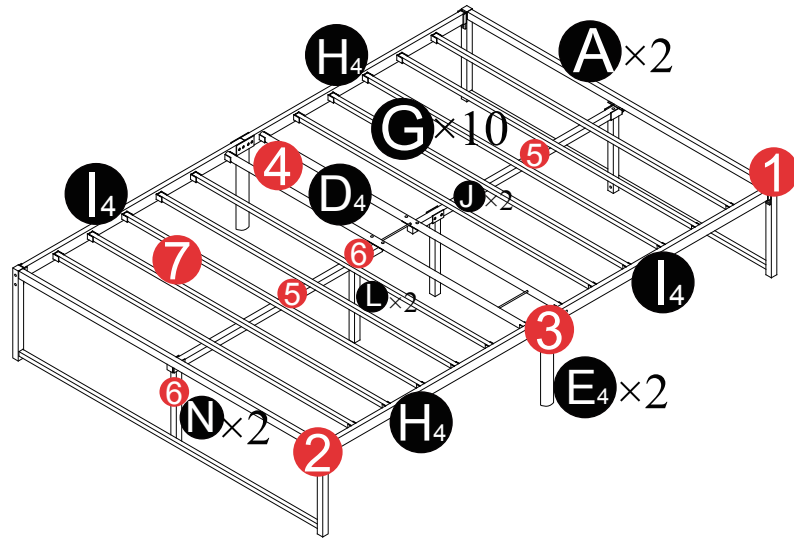


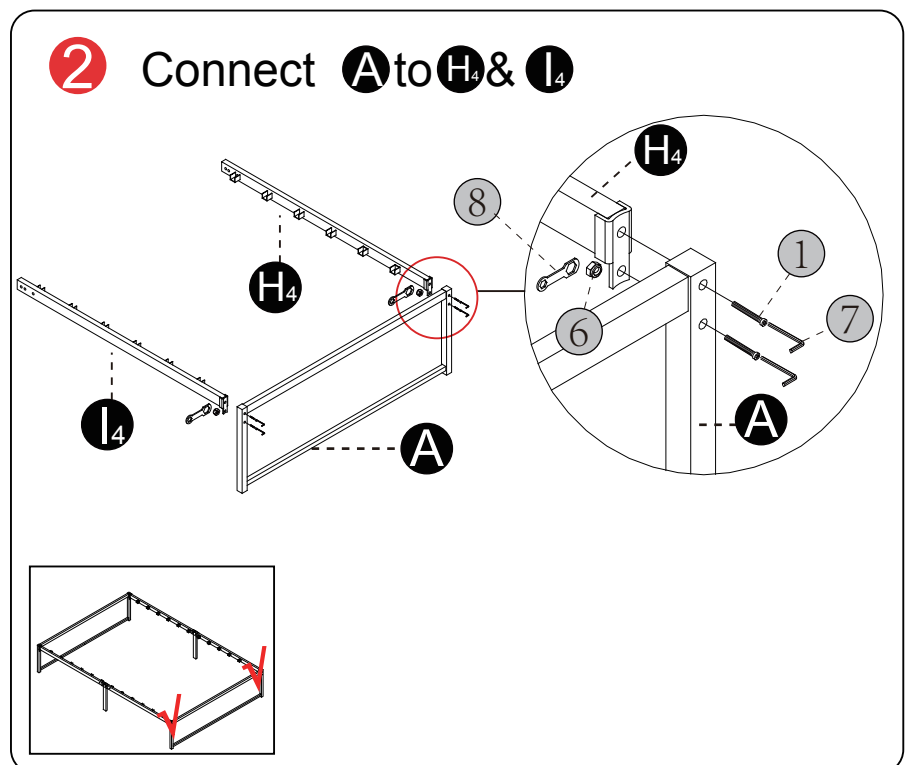
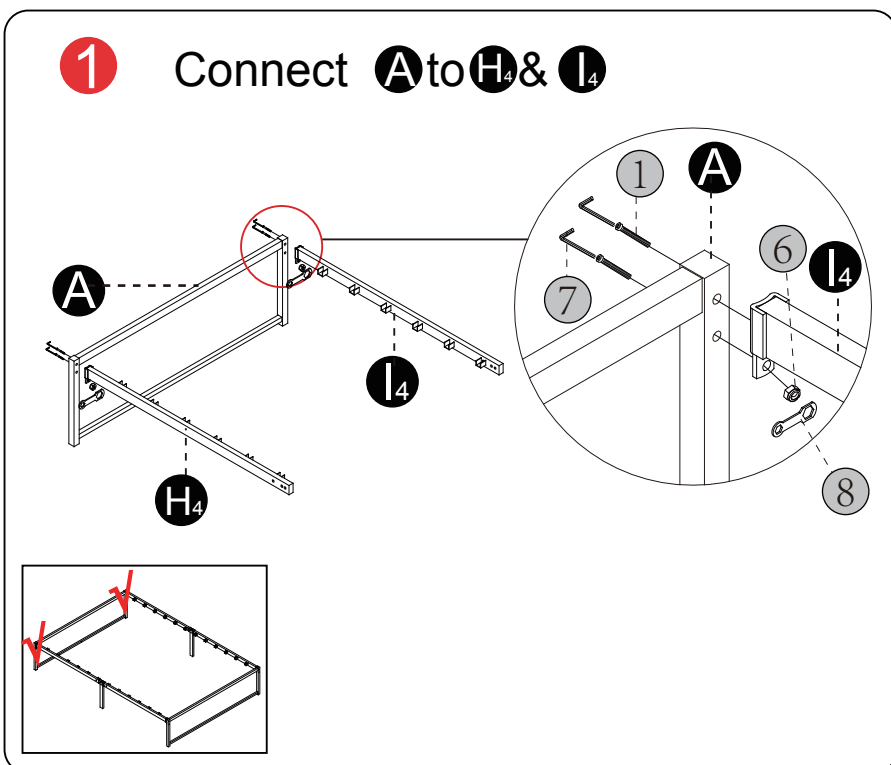
Bed Frame Installation Manual

#Number System
Easy assembly by following 1,2,3...

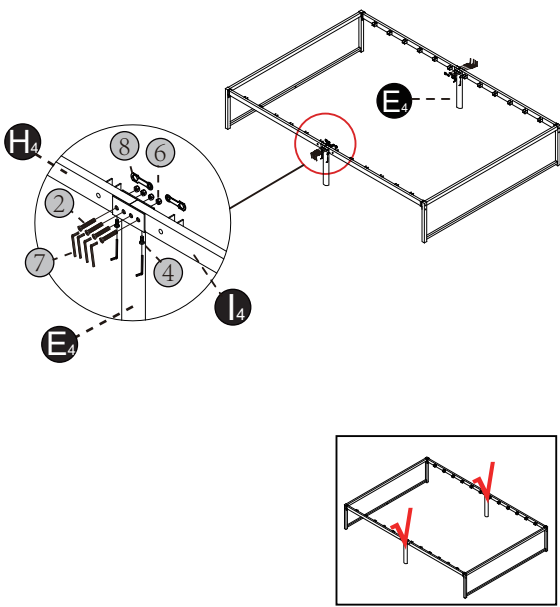


Componets		Screws & Tools	
	A x2	①	M8x40mm x8
	D4 x1	②	M8x35mm x8
	E4 x2	③	M6x40mm x16
	G x10	④	M6x15mm x8
	H4 x2	⑤	M6
	I4 x2	⑥	M8
	J x2	⑦	M5
	L x2	⑧	M13/M10
	N x2		

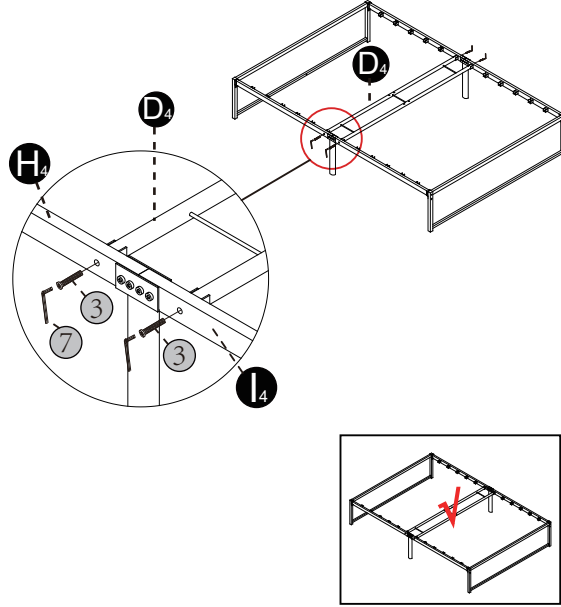
Check all the components & screws before assembly.
Do not install in case part is missing, contact us.



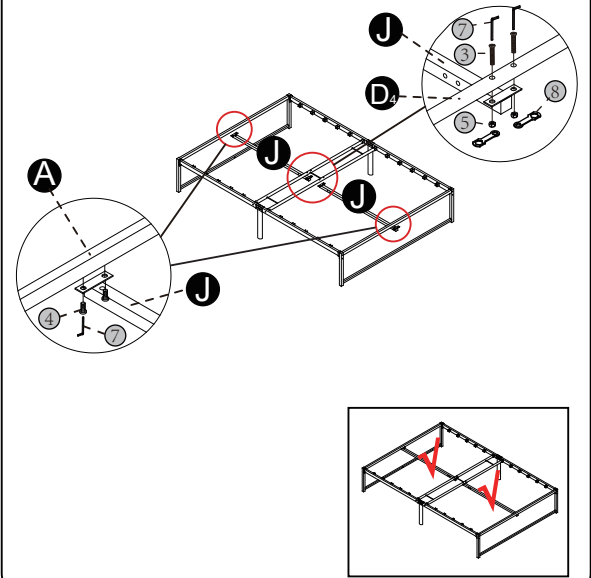
3 Connect **E₄** to **H₄** & **I₄**



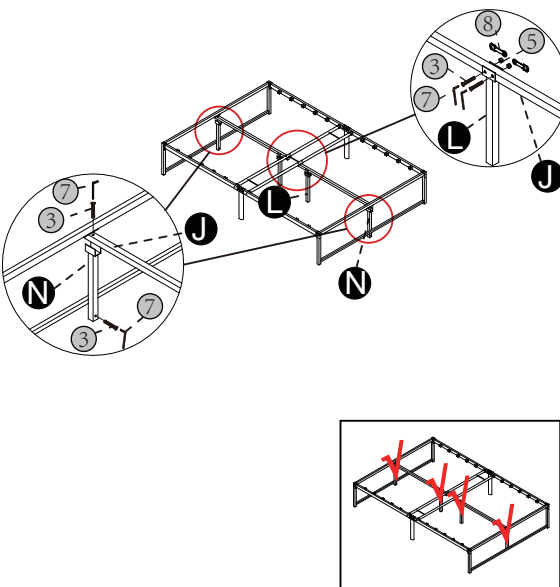
4 Connect **D₄** to **H₄** & **I₄**



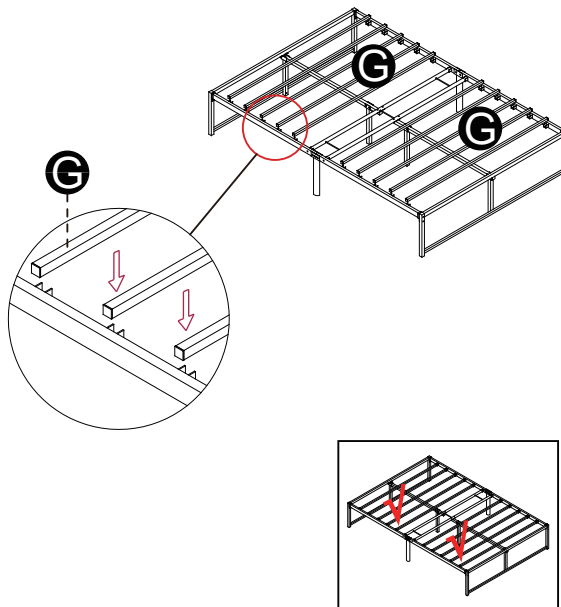
5 Connect **J** to **A** & **D₄**



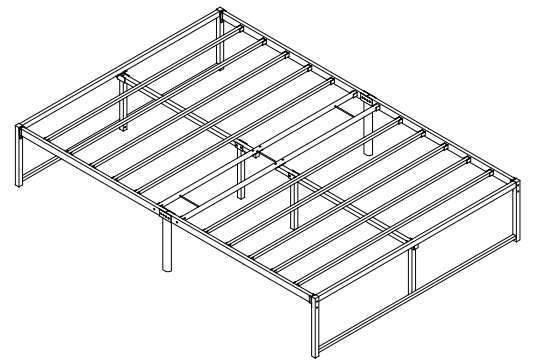
6 Connect **L** & **N** to **J**



7 Assemble bed slats



8 Check and tighten all screws



CAUTIONS!

