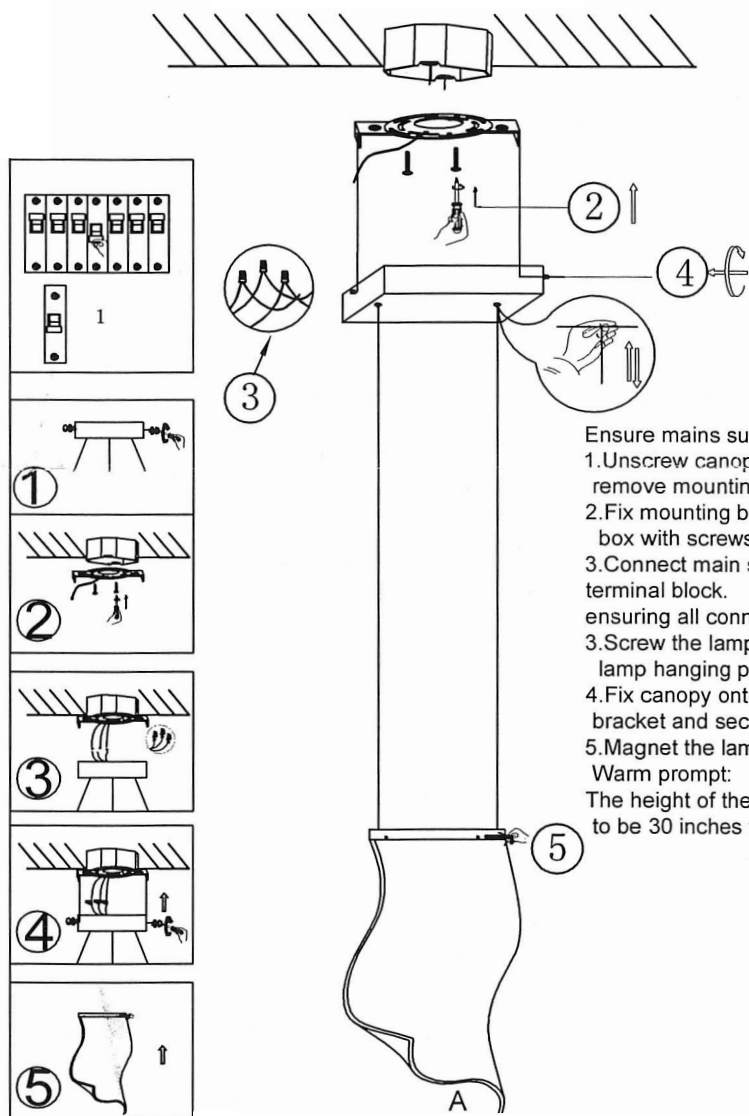


Assembling Instruction



Ensure mains supply is switched off.

1. Unscrew canopy caps and remove mounting bracket.
 2. Fix mounting bracket to junction box with screws.
 3. Connect main supply wires to terminal block, ensuring all connections are tight.
 3. Screw the lamp to the mounted lamp hanging panel.
 4. Fix canopy onto mounting bracket and secure with caps.
 5. Magnet the lamp shade onto base.
- Warm prompt:
The height of the lamp can be adjusted to be 30 inches to 75 inches.