

# INSTRUCTION MANUAL



**Outdoor Rocking Poly Adirondack Chair**

**V 3.0**

## ! NOTICE

### Do not overtighten screws. (Insert all screws before tighten screws.)

- Please do not exceed the weight limitations of this item.
- Do not stand on or use any part of this item as a step ladder.
- Firmly secure all bolts, screws and nuts before use.
- Reconfirm that all bolts, screws, and nuts are secure every 90 days.
- Do not use or store this item in the proximity of open flame or flammable/combustible chemicals.
- Be aware that some parts are heavy and have sharp edges.
- Please adjust the speed slowly when you use electric drill for assembling to avoid screw slipping.

## TOOLS REQUIRED



ALLEN WRENCH  
(PROVIDED)



WRENCH  
(PROVIDED)



CHAIR  
330 LBS  
CAPACITY

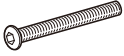

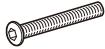
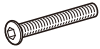




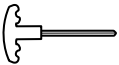
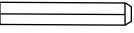


1 PERSON  
ASSEMBLY

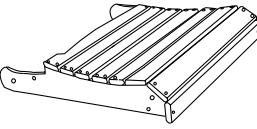
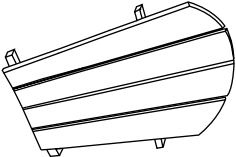
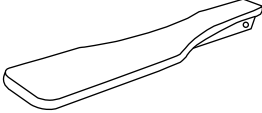


UP TO 30 MIN.  
ASSEMBLY

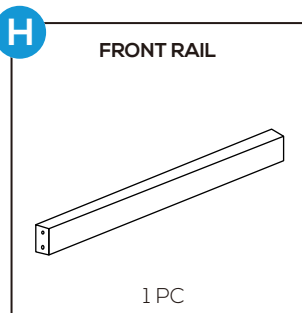
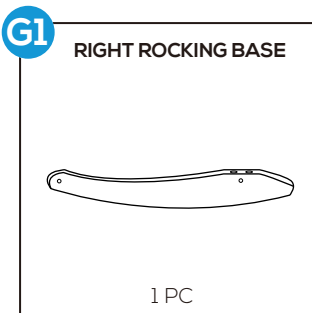
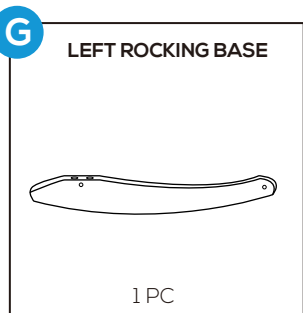
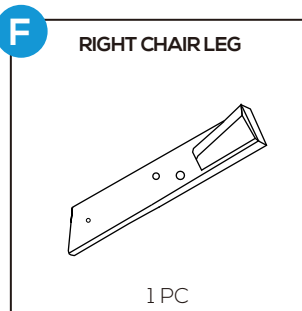
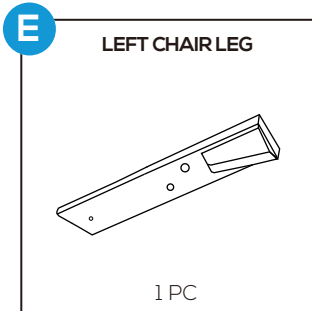
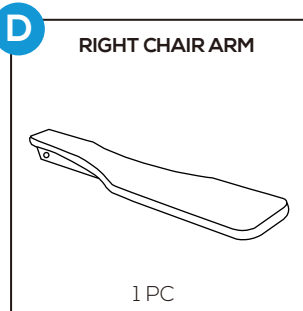
## HARDWARE

<b>1</b> M6 x 80mm BOLT  2 PCS	<b>2</b> M6 x 80mm SCREW  4 PCS	<b>3</b> M6 x 65mm BOLT  2 PCS	<b>4</b> M6 x 60mm BOLT  8 PCS	<b>5</b> M6 x 55mm SCREW  4 PCS
<b>6</b> M6 NUT  8 PCS	<b>7</b> M6 WASHER  8 PCS	<b>8</b> WRENCH  1 PC	<b>9</b> ALLEN WRENCH  1 PC	<b>10</b> SCREWDRIVER BLADES  1 PC

## PARTS

<b>A</b> CHAIR SEAT  1 PC	<b>B</b> CHAIR BACKREST  1 PC	<b>C</b> LEFT CHAIR ARM  1 PC
---	---	--

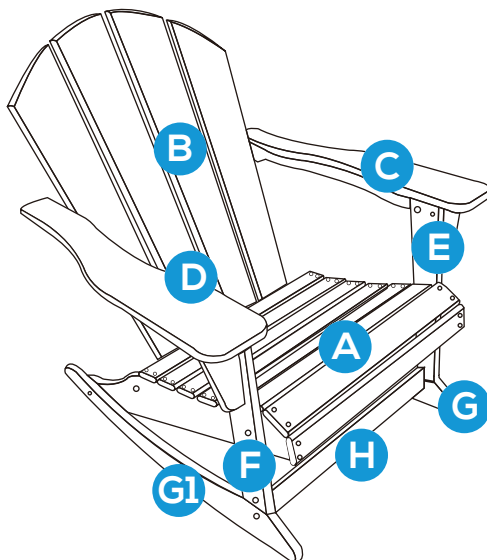
## PARTS



## PRODUCT ASSEMBLY - OVERALL VIEW

1

Look at following overall view of this chair and learn the exact position of each parts to be assembled.

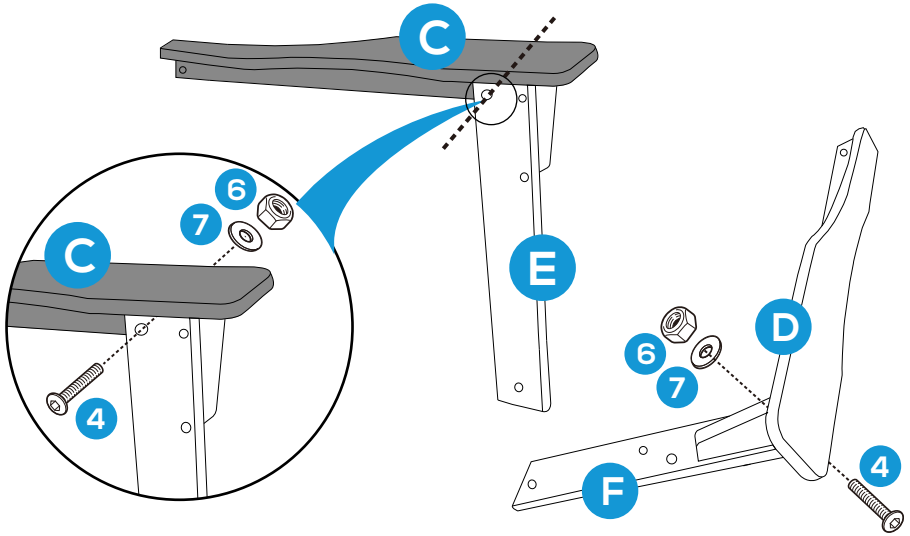


## PRODUCT ASSEMBLY

1

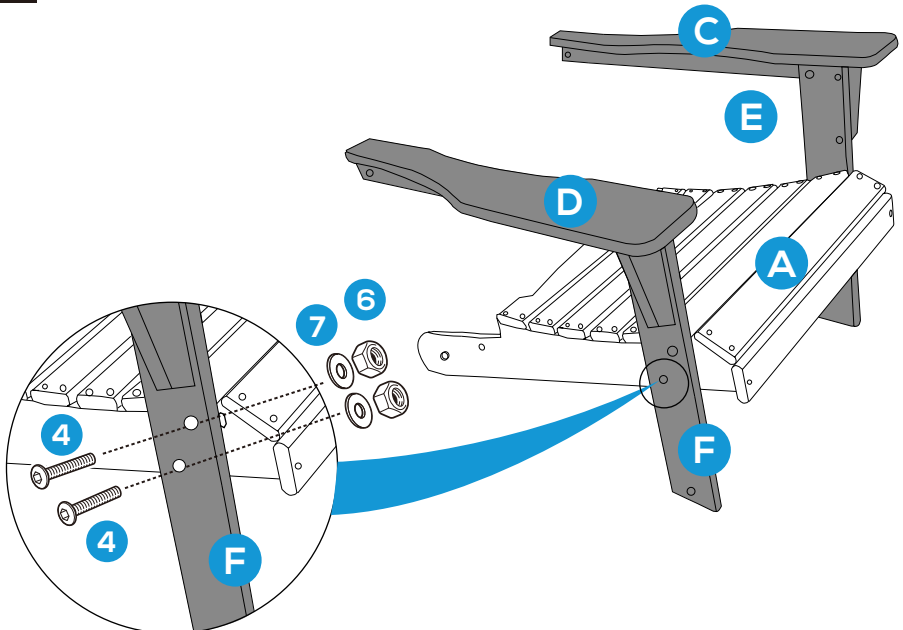
Attach part C Left Chair Arm to part E Left Chair Leg with 1 PC of hardware 4 bolt, hardware 7 washer and hardware 6 Nut. Do the same to part F Right Chair Leg and part D Right Chair Arm.

Do not tighten screws too much at this stage.



2

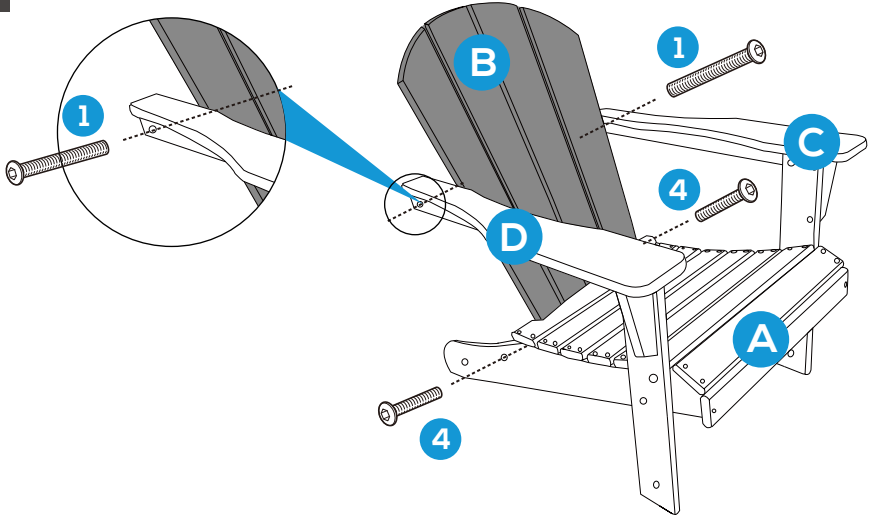
Attach part F right Chair Leg and part E Left Chair Leg to part A Chair Seat with 4 PCS of hardware 4 bolt, hardware 7 washer and hardware 6 Nut.



## PRODUCT ASSEMBLY

3

Attach part B Chair Backrest to part A Chair Seat and part D Right Chair Arm as well as part C Left Chair Arm with 2 PCS of hardware 1 Bolt and 2 PCS of hardware 4 Bolt as below.

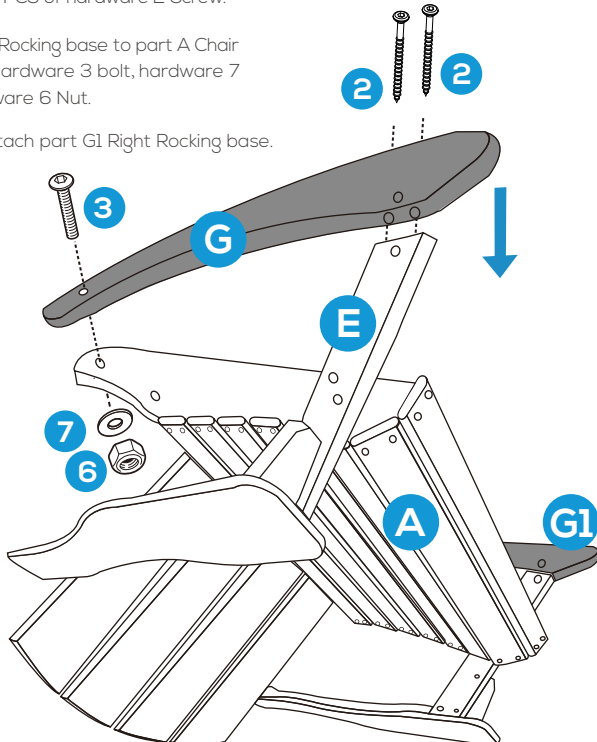


4

Turn the chair upside down, place part G Left Rocking Base to part E Chair Left Leg as below and attach them with 2 PCS of hardware 2 Screw.

Attach part G Left Rocking base to part A Chair Seat with 1 set of hardware 3 bolt, hardware 7 Washer and hardware 6 Nut.

Do the same to attach part G1 Right Rocking base.

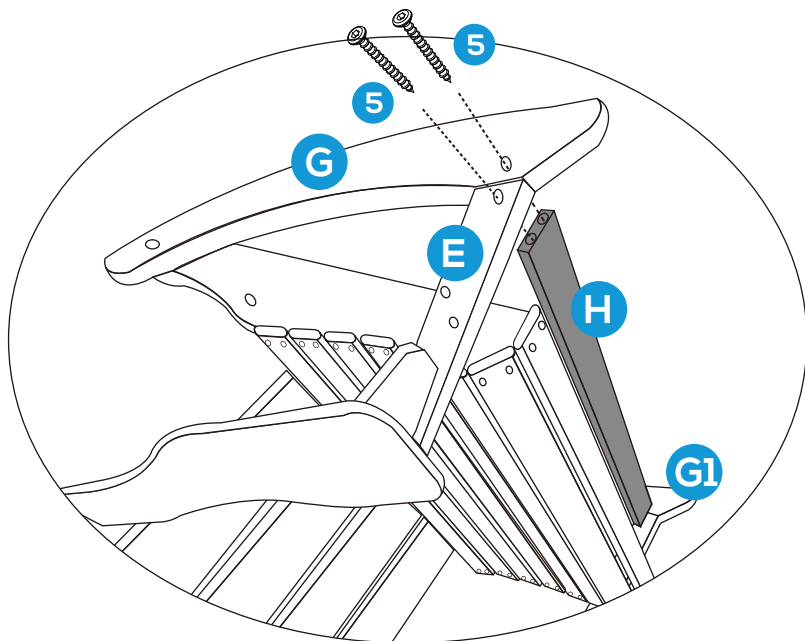


## PRODUCT ASSEMBLY

5

Attach part H Front rail to part G Left Rocking base and part E Left Chair Leg with 2 PCS of hardware 5 Screw.

Do the same to the right side to finish the assembly.



6

Tighten all the screws, bolts and nuts to ensure a steady use of this chair.

