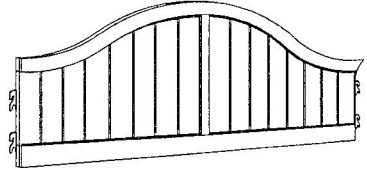
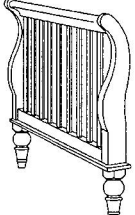
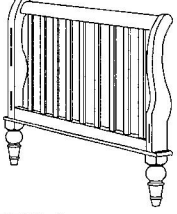

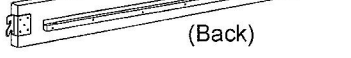
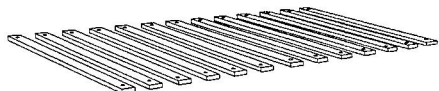


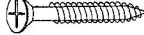

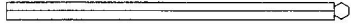
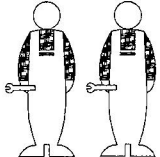
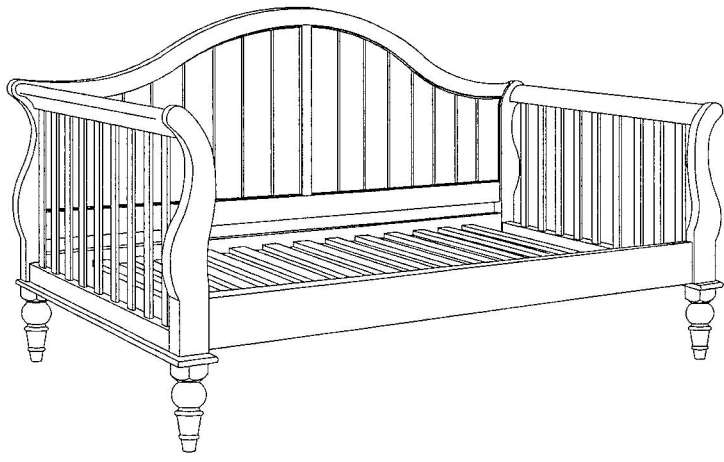


ASSEMBLY INSTRUCTION

<p>A Back Panel</p>  <p>1 pc</p>	<p>B Side Frame (Left)</p>  <p>1 pc</p>	<p>C Side Frame (Right)</p>  <p>1 pc</p>
<p>D Rail (Front & Back)</p> <p>(Front)</p>  <p>(Back)</p>  <p>2 pcs</p>	<p>E Slats</p>  <p>13 pcs</p>	<p>F JCBC Bolt M6 X 35mm</p>  <p>6 pcs</p>
<p>G Spring Washer 5/16"</p>  <p>6 pcs</p>	<p>H CSK Screw M4 X 32mm</p>  <p>20 pcs</p>	<p>I Allen Key M4 (Long)</p>  <p>1 pc</p>
<p>J 'I' Allen Key M4 (For power drill usage)</p>  <p>1 pc</p>	<p>Remark : You may need more than 2 person to assemble this.</p>  <p>2 person</p>	



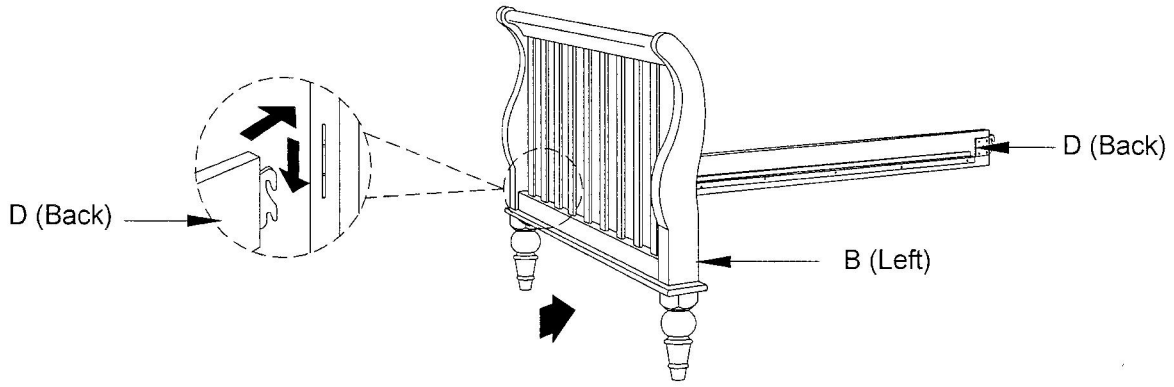
This page lists all the contents included in the box. Please take the time to identify the hardware as well as the individual components to this product. As you unpack and prepare for assembly, place the contents on a carpeted or padded area to protect them from damage.

- IMPORTANT NOTE :**
1. Do not tighten all screws / bolts until all completely assemble.
 2. Keep all hardware parts out of reach of children.

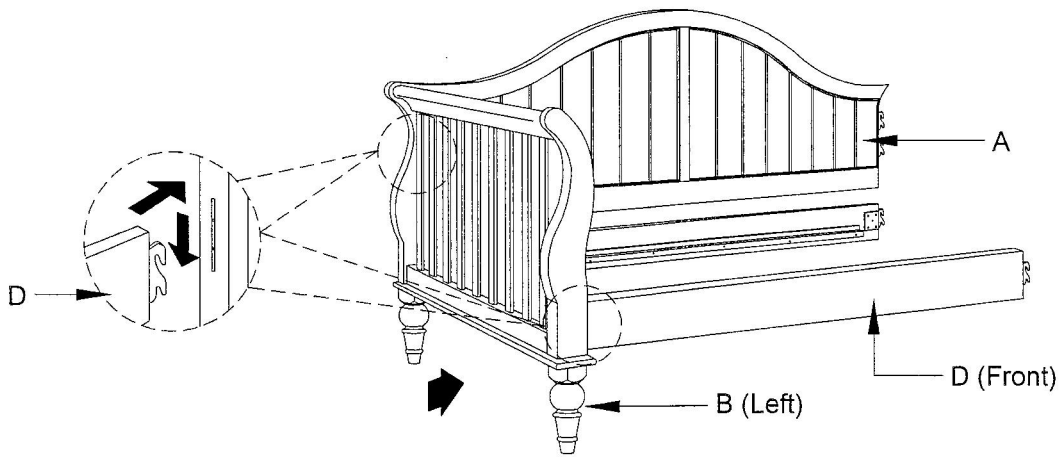
Remark :

You may need more than 2 person to assemble this.

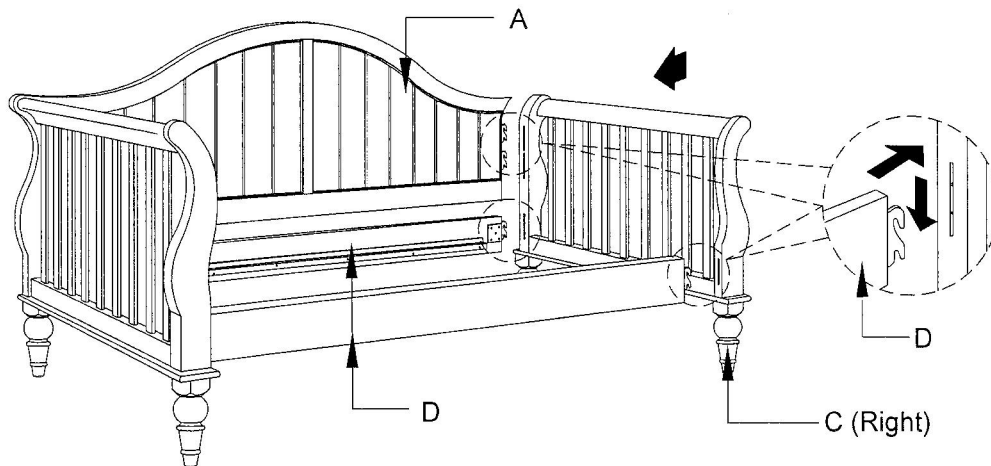
1 Attached Side Frame (B) (Left) to Rail (D) (Back).



2 Attached Side Frame (B) (Left) to Back Panel (A) and Rail (D) (Front).

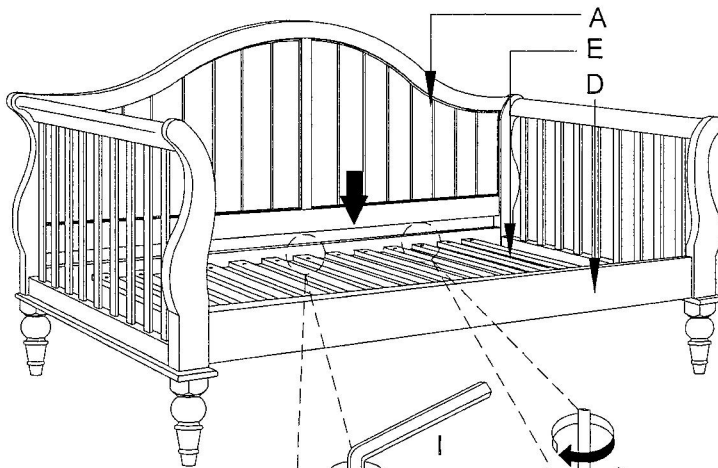


3 Attached Side Frame (C) (Right) to Back Panel (A) and Rail (D) (Front & Back).

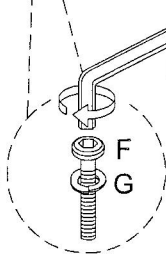


4

Place Slats (E) to the Back Panel (A) and Rail (D). Secure the Slats (E) with Spring Washer (G) and JCBC Bolt (F) and tighten using Allen Key (I) & CSK Screw (H) following the diagram below.

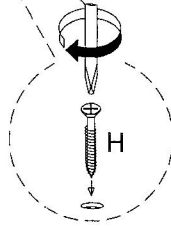


Slats : 1, 7 & 13



6x

Slats : 2, 3, 4, 5,
6, 8, 9, 10,
11 & 12



20x

- 1
- 2
- 3
- 4
- 5
- 6
- 7
- 8
- 9
- 10
- 11
- 12
- 13

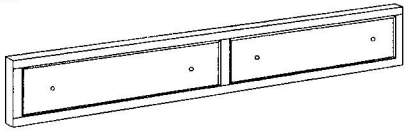
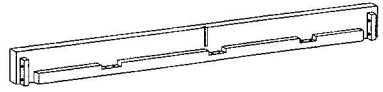
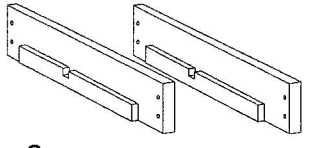
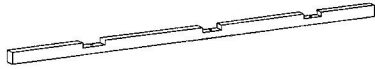
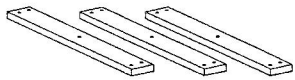

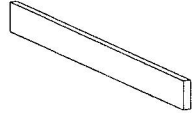

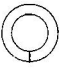

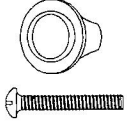

*** Remark :**

Slats no. 1, 7 & 13 use JCBC Bolt (F) with Spring Washer (G).
Others use CSK Screw (H).

CLEANING & CARE

Treat surface with care. Surface is resistant to scratches but is not scratches resistant. Clean surface with a dry or damp soft cloth. Do not use abrasive cleaners. Hardware may loosen over time. Periodically check that all connections are tight.

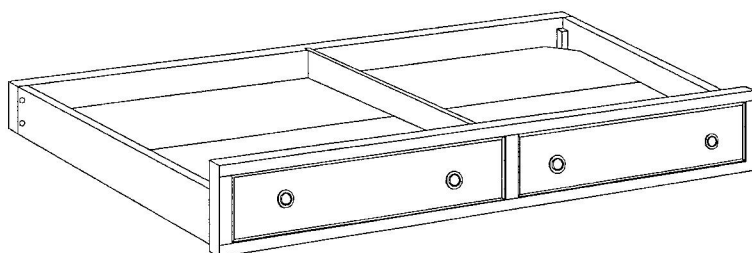
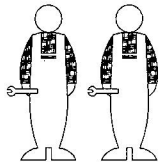
ASSEMBLY INSTRUCTION

A Front Panel  1 pc	B Back Frame  1 pc	C Side Frame  2 pcs
D Center Rail Support (Long)  1 pc	E Center Rail Support (Short)  3 pcs	F Bottom Panel  2 pcs
G Center Panel  1 pc	H JCBC Bolt M6 X 35mm  25 pcs	I Spring Washer 5/16"  25 pcs
J Castor Wheel with CSK Screw M4 x 16mm  4 pcs / 16 pcs	K Handle with THMS Screw M4 x 25mm  4 pcs / 4 pcs	L Allen Key M4 (Long)  1 pc

Remark :

You may need more than 2 person to assemble this.

2 person



This page lists all the contents included in the box. Please take the time to identify the hardware as well as the individual components to this product. As you unpack and prepare for assembly, place the contents on a carpeted or padded area to protect them from damage.

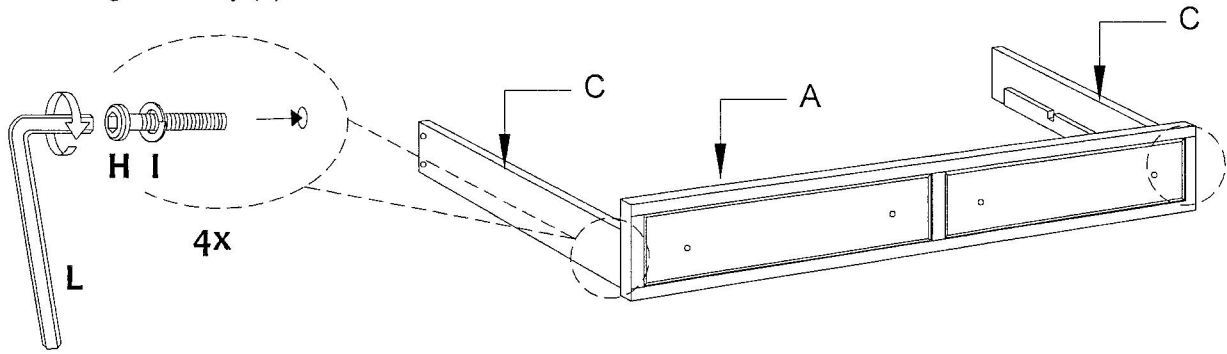
IMPORTANT NOTE :

1. Do not tighten all screws / bolts until all completely assemble.
2. Keep all hardware parts out of reach of children.

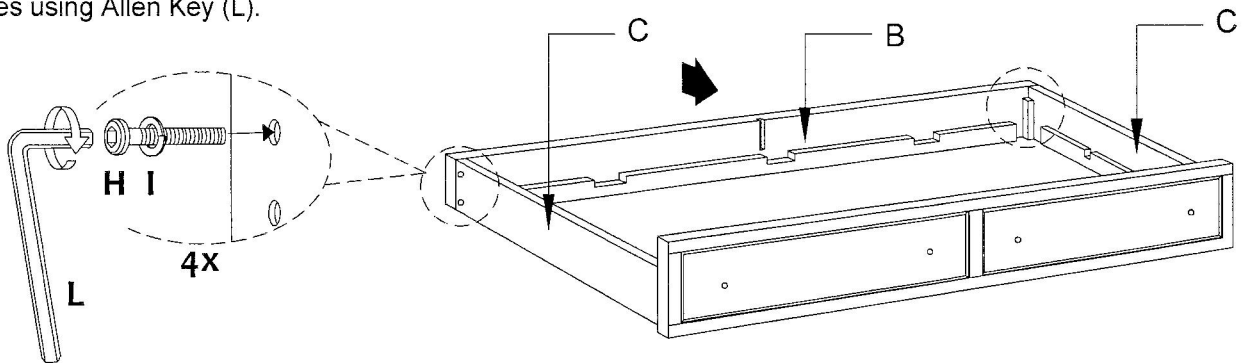
Remark :

You may need more than 2 person to assemble this.

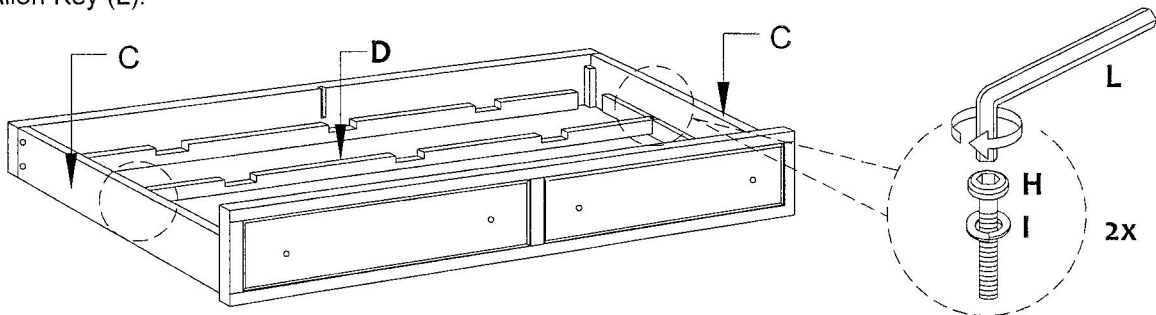
- 1** Attached Side Frame (C) to Front Panel (A) by inserting JCBC Bolt (H) with Spring Washer (I) into provided holes using Allen Key (L).



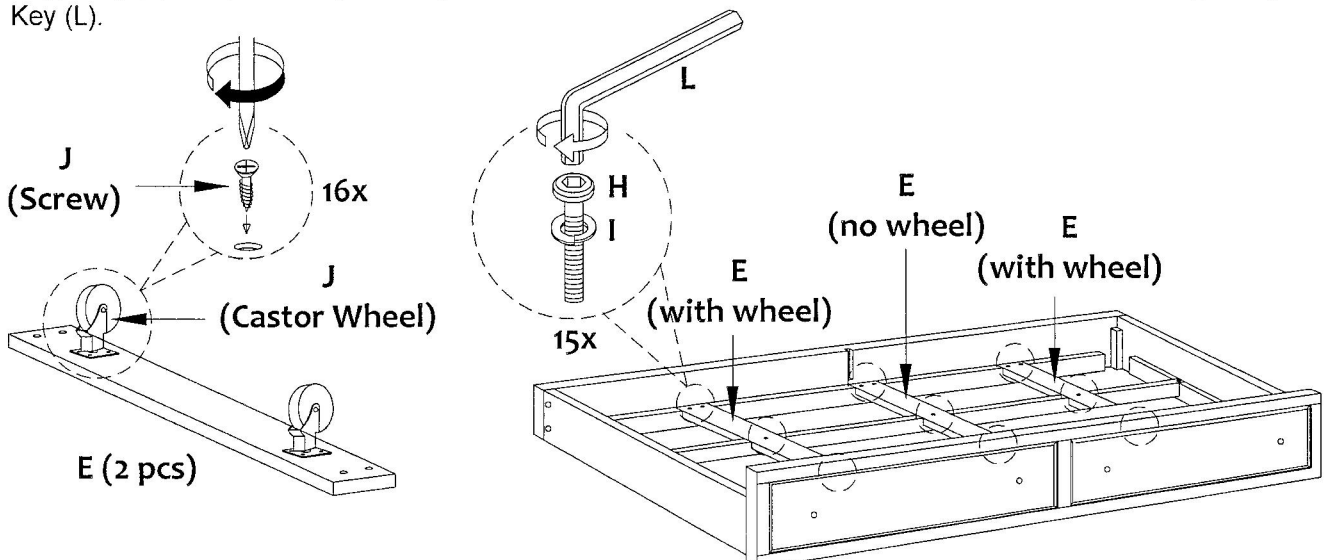
- 2** Attached Side Frame (C) to Back Frame (B) by inserting JCBC Bolt (H) with Spring Washer (I) into provided holes using Allen Key (L).



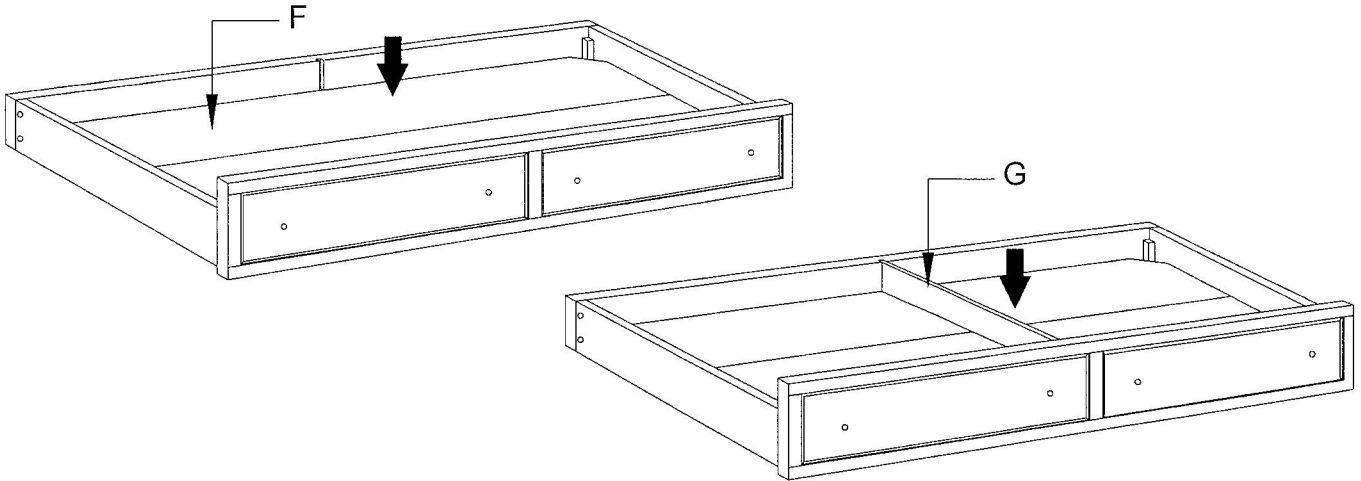
- 3** Place Center Rail Support (D) (Long) to Side Frame (C) and secure it with JCBC Bolt (H) & Spring Washer (I) using Allen Key (L).



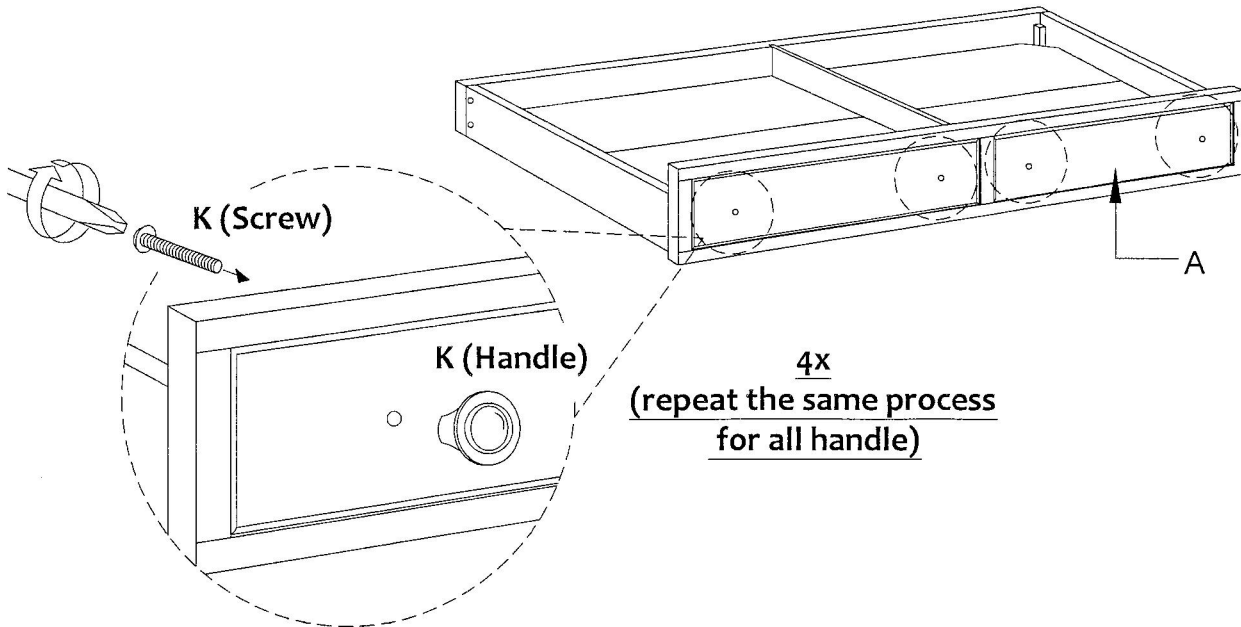
- 4** Attached Castor Wheel (J) to two Center Rail Support (E) (Short) with CSK Screw provided. Put the Center Rail Support (E) (Short) following the diagram below and secure it with JCBC Bolt (H) & Spring Washer (I) using Allen Key (L).



- 5** Insert Bottom Panel (F) inside the semi assemble frame. Then slot in the Center Panel (G).



- 6** Attached Handle (K) to the pre-drilled holes at the Front Panel (A) and tighten it with the Screw given using Phillip Headscrewdriver.



CLEANING & CARE

Treat surface with care. Surface is resistant to scratches but is not scratches resistant. Clean surface with a dry or damp soft cloth. Do not use abrasive cleaners. Hardware may loosen over time. Periodically check that all connections are tight.