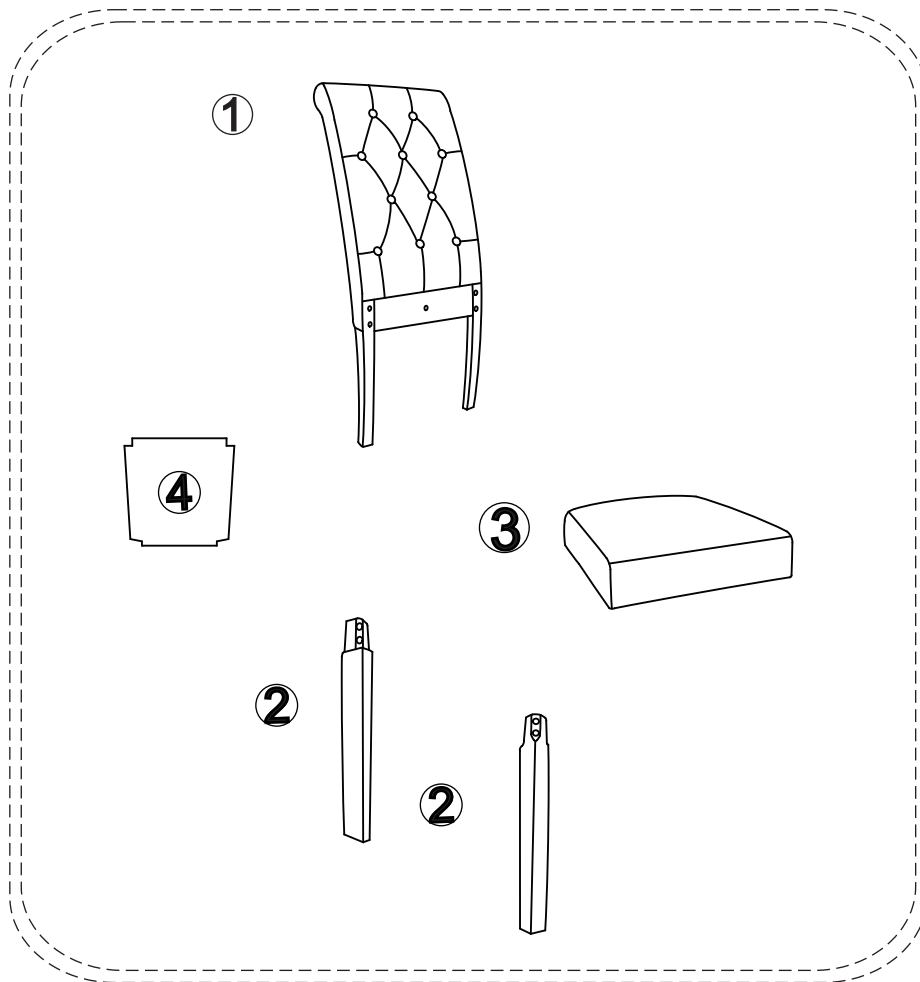
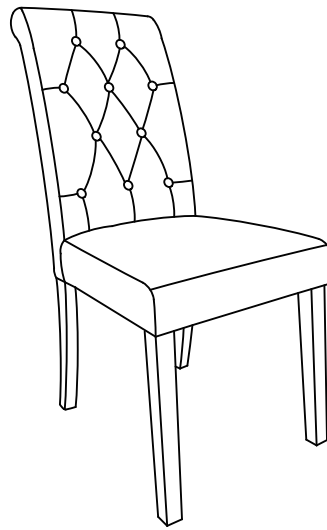


MERAX ASSEMBLY INSTRUCTIONS

WF034953

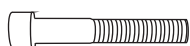


Ax5PCS



M6*55mm

Bx4PCS



M6*80mm



Cx9PCS



Dx9PCS

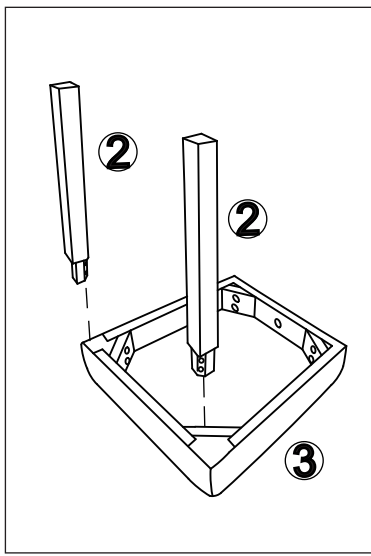


Ex1PC

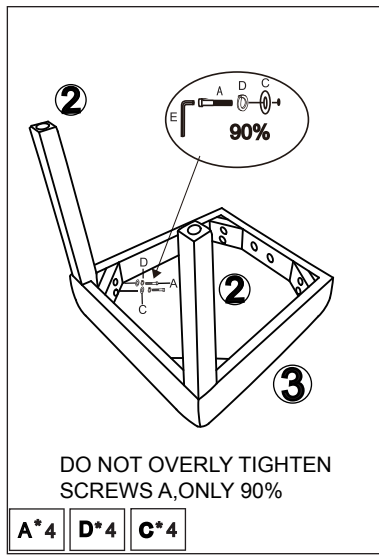


DO NOT USE
EL DRILL

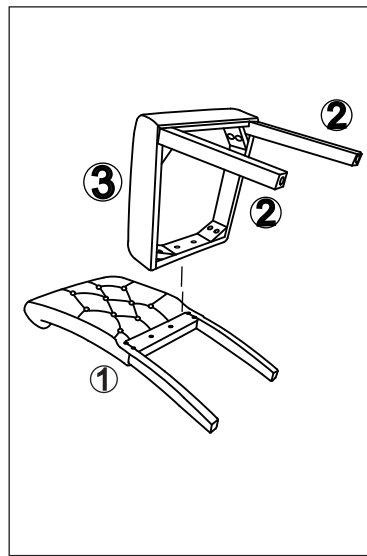
1.



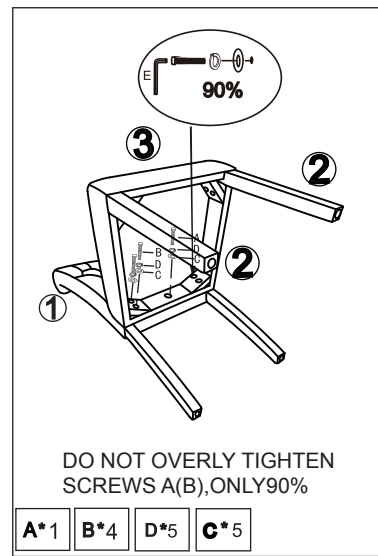
1



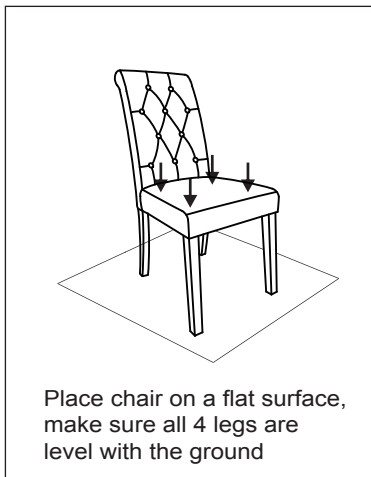
2



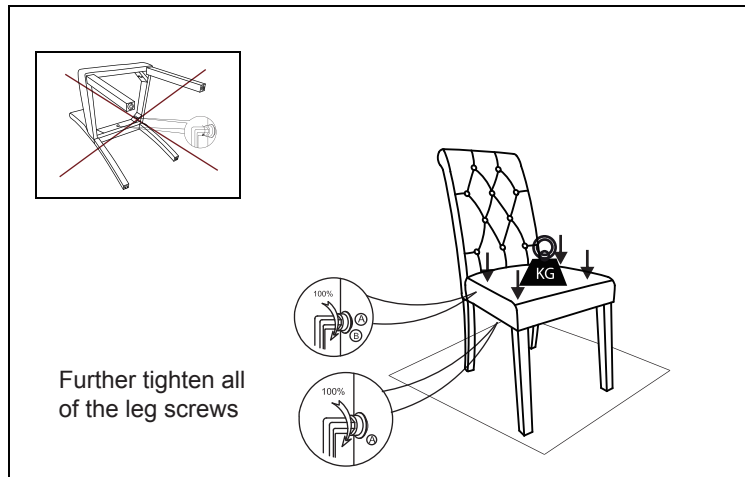
3



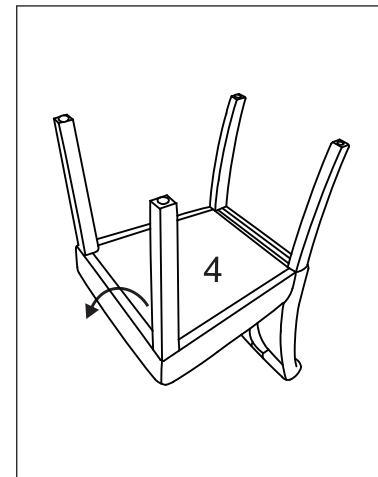
4



5



6



7

