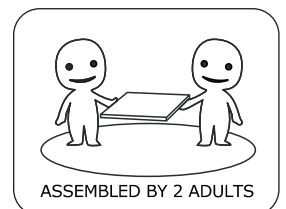
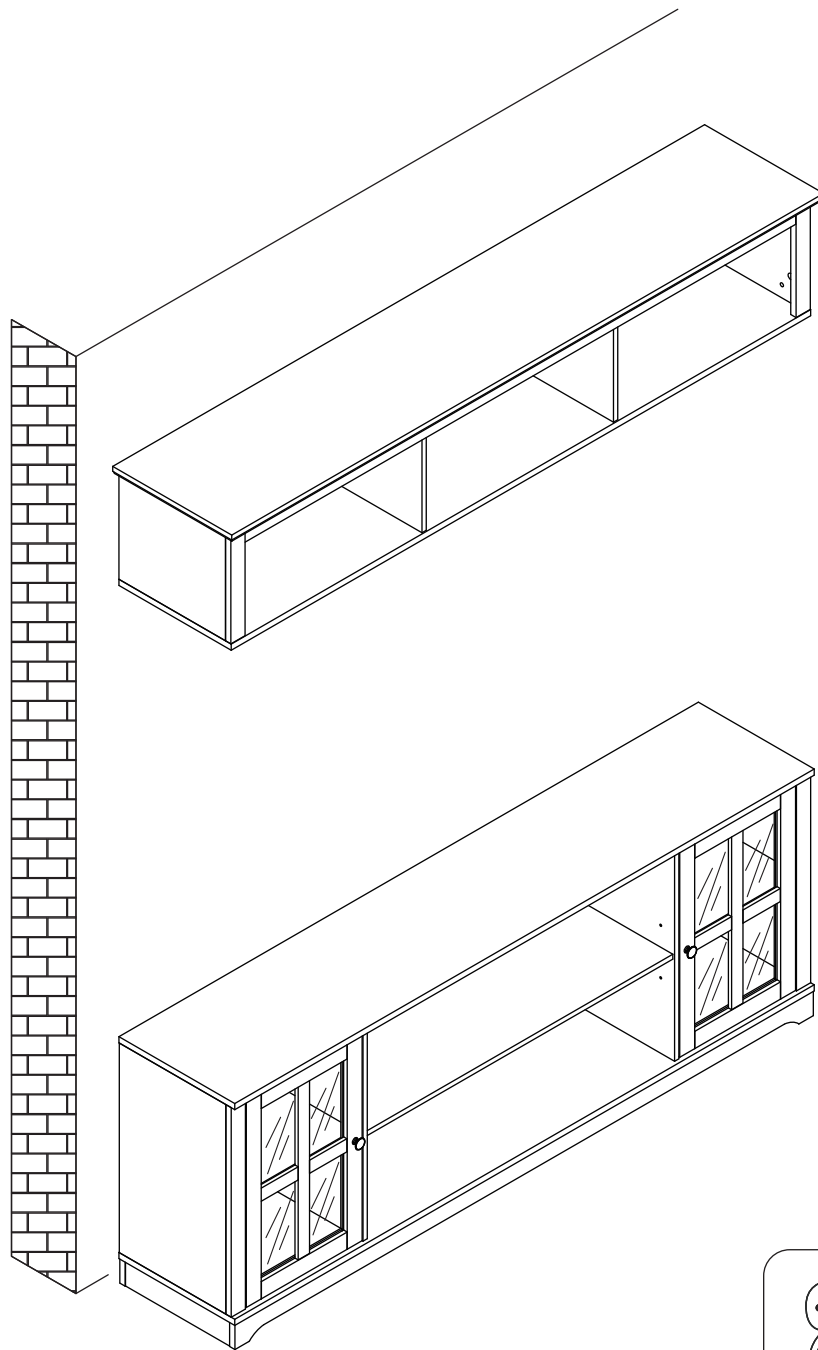


MANUAL

INSTRUCTION

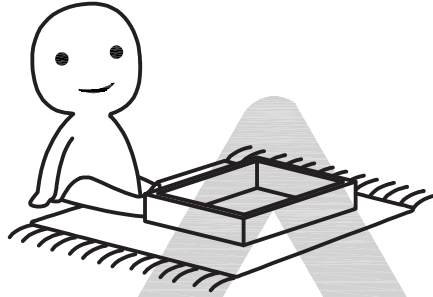
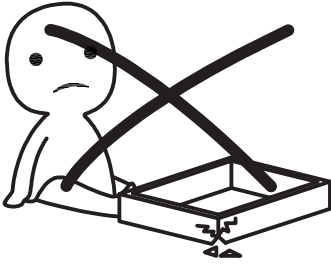
Top Shelf & TV console





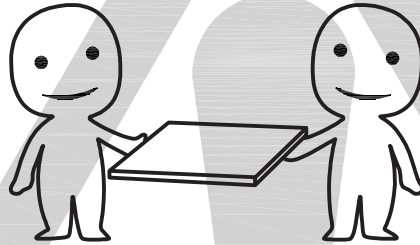
IMPORTANT INFORMATION!

please read the entire manual before starting to assemble and/or using this product, follow the manual thoroughly and keep it for further reference.



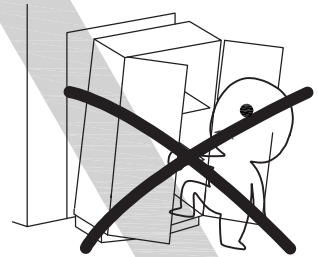
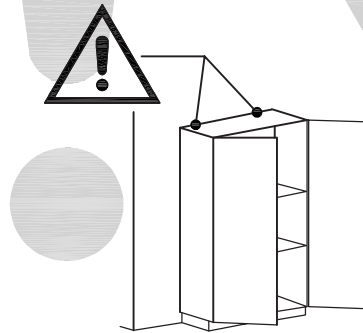
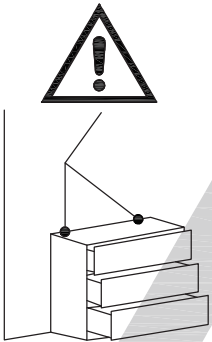
AVOID SCRATCHES!

In order to avoid scratching this furniture should be assembled on a soft layer-could be a rug.



IMPROVE EFFICIENCY !

Try to find a partner to install with you, which can speed up the installation efficiency and shorten the time.



ANTI-TOPPLE WARNING !

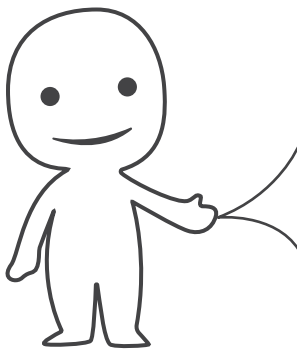
Overturned furniture can cause serious or fatal crush injuries, To prevent tipping over ,be sure to use the wall attachment, if not included with this product. please purchase the wall attachment that fit your wall.If unsure, seek professional advice.Please read and follow each step of the instructions carefully.

IMPORTANT !

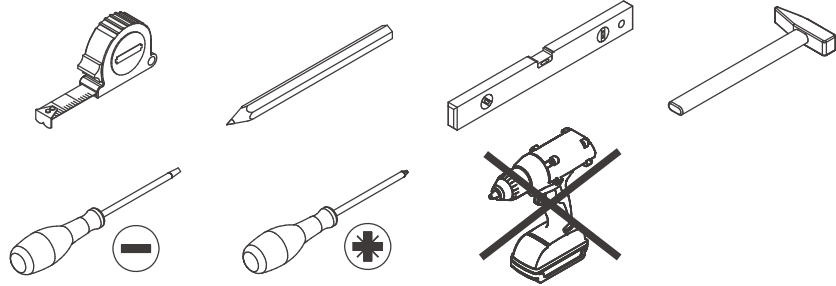
It is important that any product which is assembled using any kind of screw is re-tightened 2 weeks after assembly, and once every 3 months - in order to assure stability through-out the lifespan of the product.

For regular maintenance and cleaning of the product, for the frame, please use a rag dipped in neutral detergent to fully wipe it, and then dry it with a clean rag. For glass materials, wipe with a rag dampened with water glass cleaner, and then dry with a dry rag.

Do not use an electric screwdriver, and do not use too much force when installing, because the board is easy to break.



Please prepare the following tools

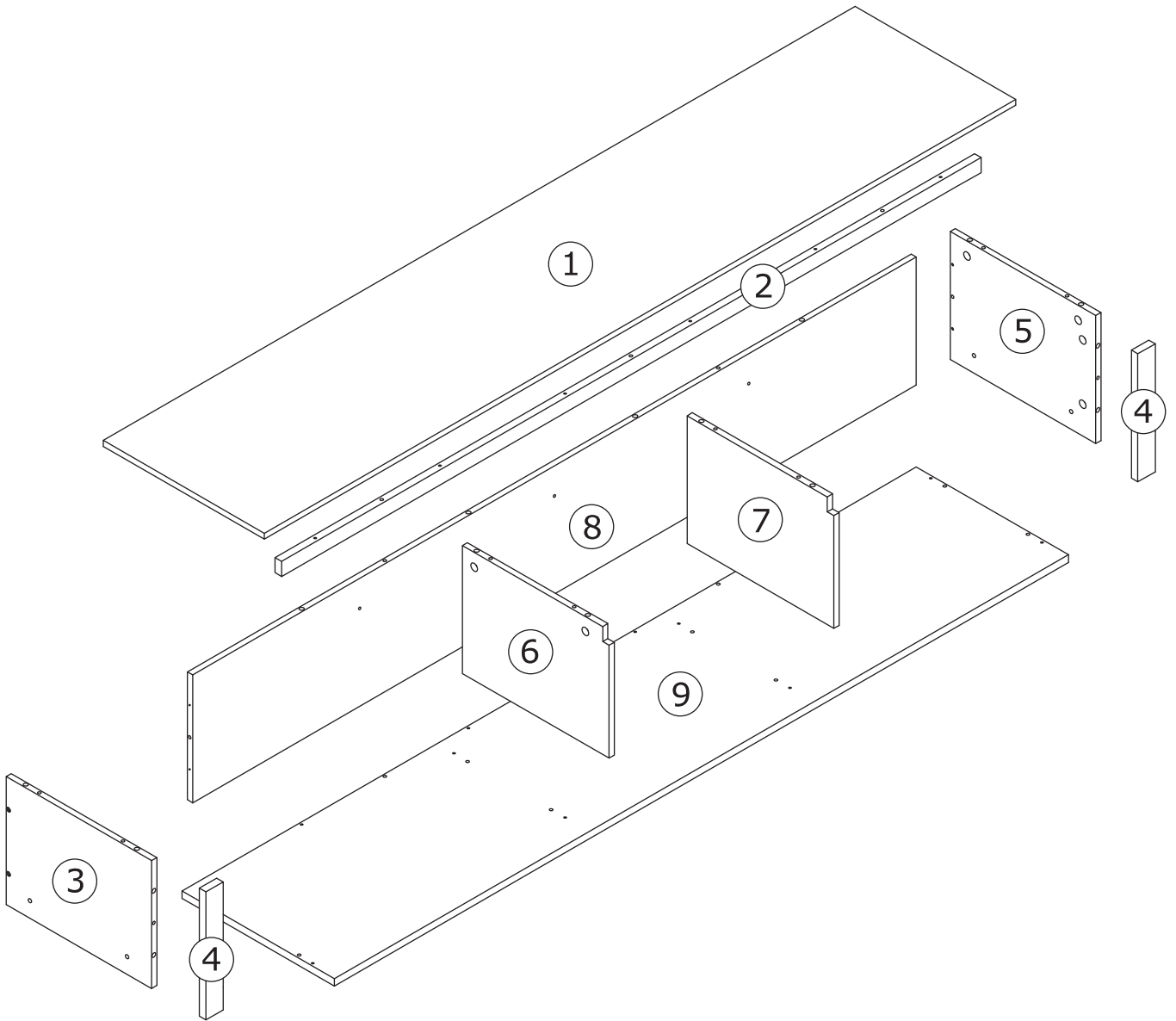


When installing, please carefully confirm whether each screw corresponds to the manual, accessories with similar shapes can be distinguished by size

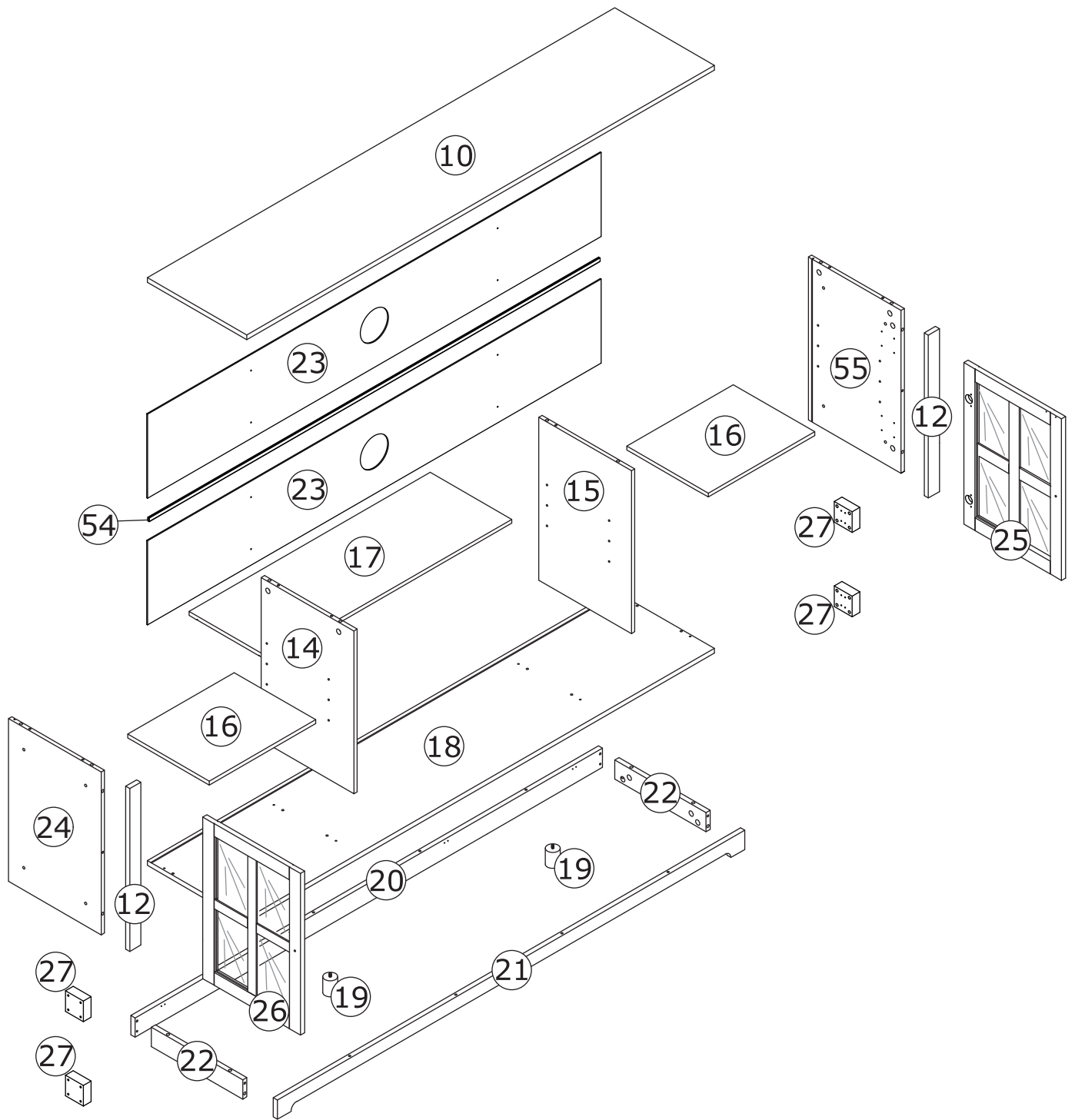
I HARDWARE

<p>A x 36(+2)</p> <p>Ø6 x 35 mm</p>	<p>B x 36(+2)</p> <p>Ø15 x 10 mm</p>	<p>C x 57(+4)</p> <p>Ø6 x 30 mm</p>	<p>D x 24(+2)</p> <p>Ø4 x 35 mm</p>	<p>E x 16</p> <p>Ø4 x 30 mm</p>
<p>F x 2</p>	<p>G x 2</p>	<p>H x 40(+2)</p> <p>Ø20 mm</p>	<p>J x 12(+1)</p>	<p>K x 18(+1)</p> <p>K-1 K-2</p> <p>Ø3 x 14 mm</p>
<p>L x 2</p>	<p>M x 6</p> <p>Ø4 x 35 mm</p>	<p>N x 2</p>	<p>P x 8</p>	<p>Q x 32(+3)</p> <p>Ø3.5 x 12 mm</p>
<p>R x 3</p> <p>Ø8 x 40 mm</p>	<p>S x 3</p> <p>Ø5 x 60 mm</p>	<p>T x 8</p> <p>Ø3 x 12 mm</p>	<p>U x 4</p>	<p>V x 24(+2)</p> <p>Ø4 x 14 mm</p>

I PARTS

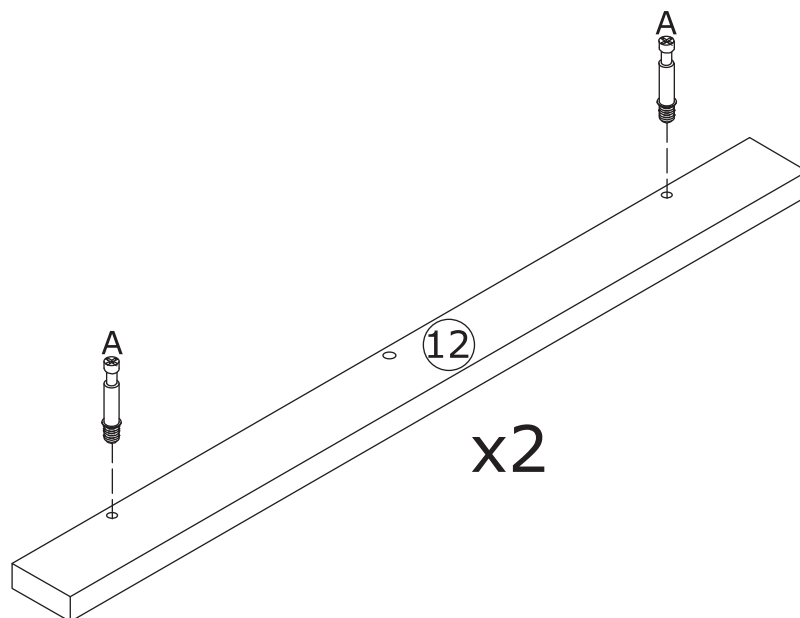
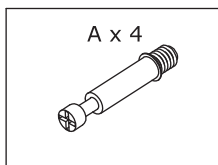


I PARTS

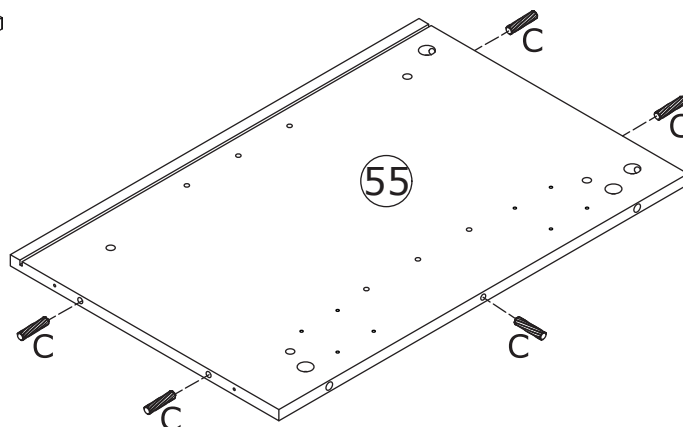
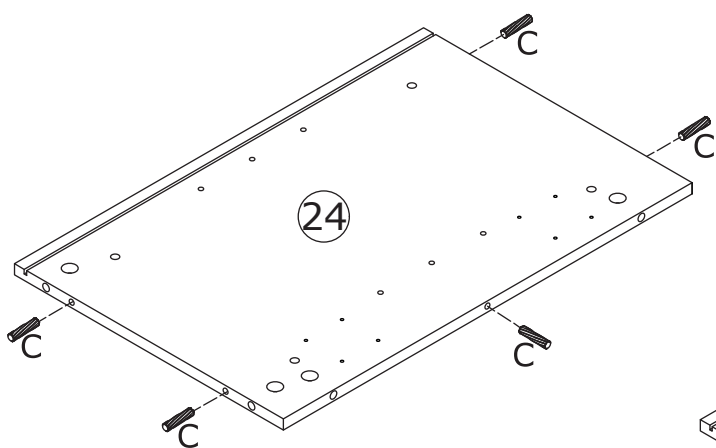
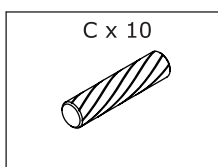


I PRODUCT ASSEMBLY

1

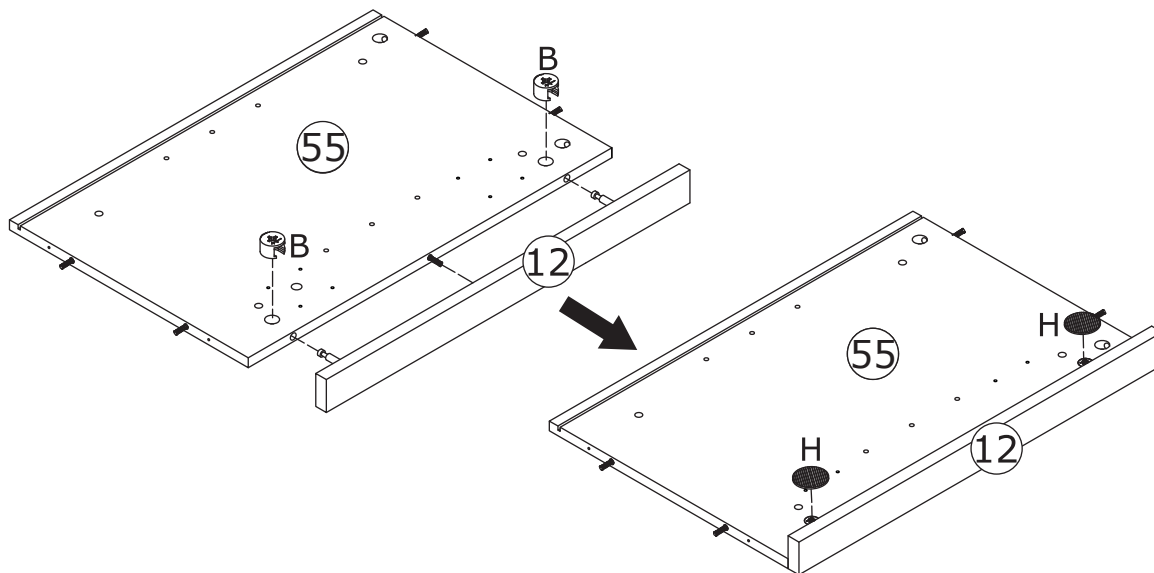
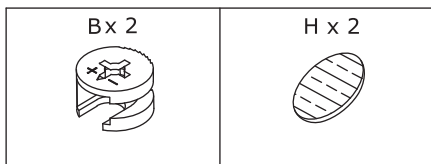


2

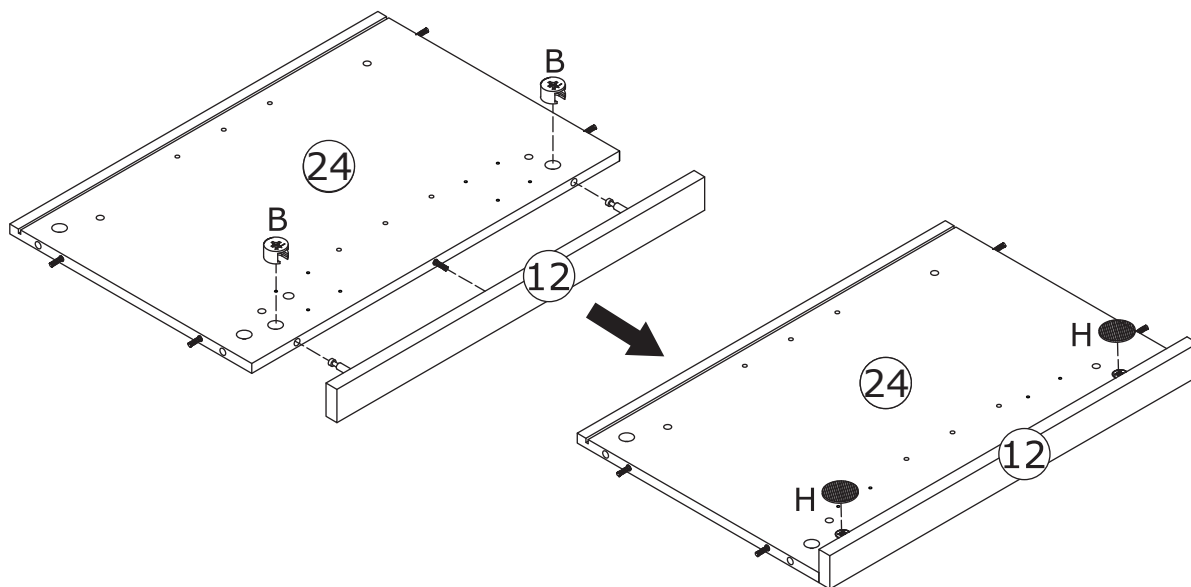
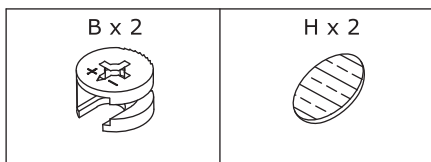


I PRODUCT ASSEMBLY

3

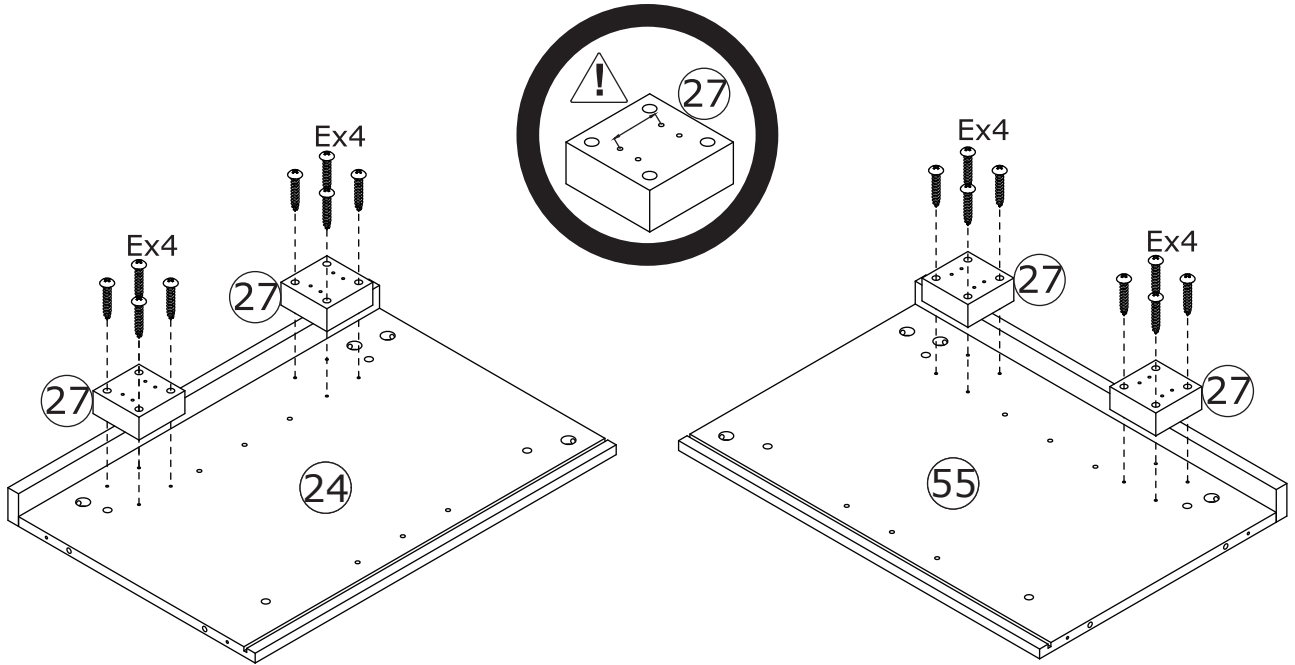
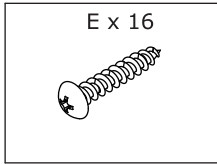


4

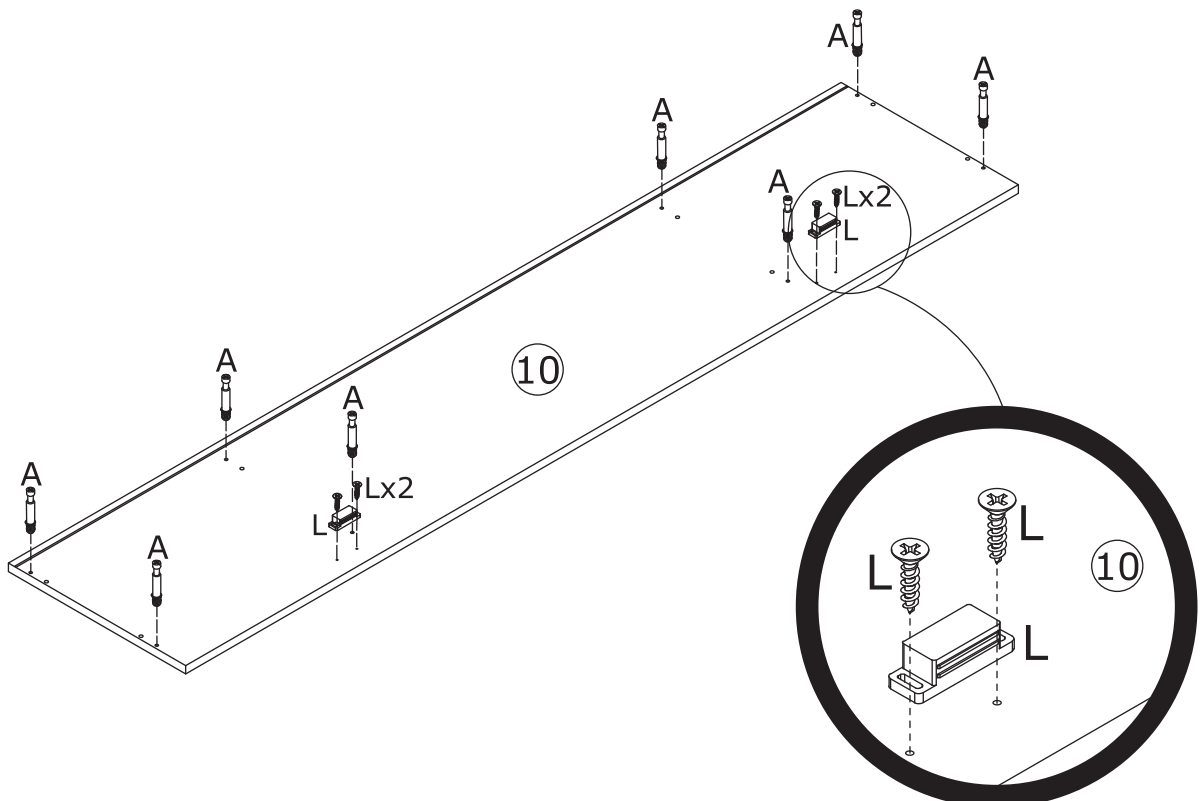
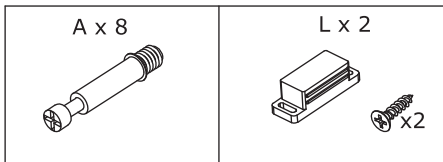


I PRODUCT ASSEMBLY

5

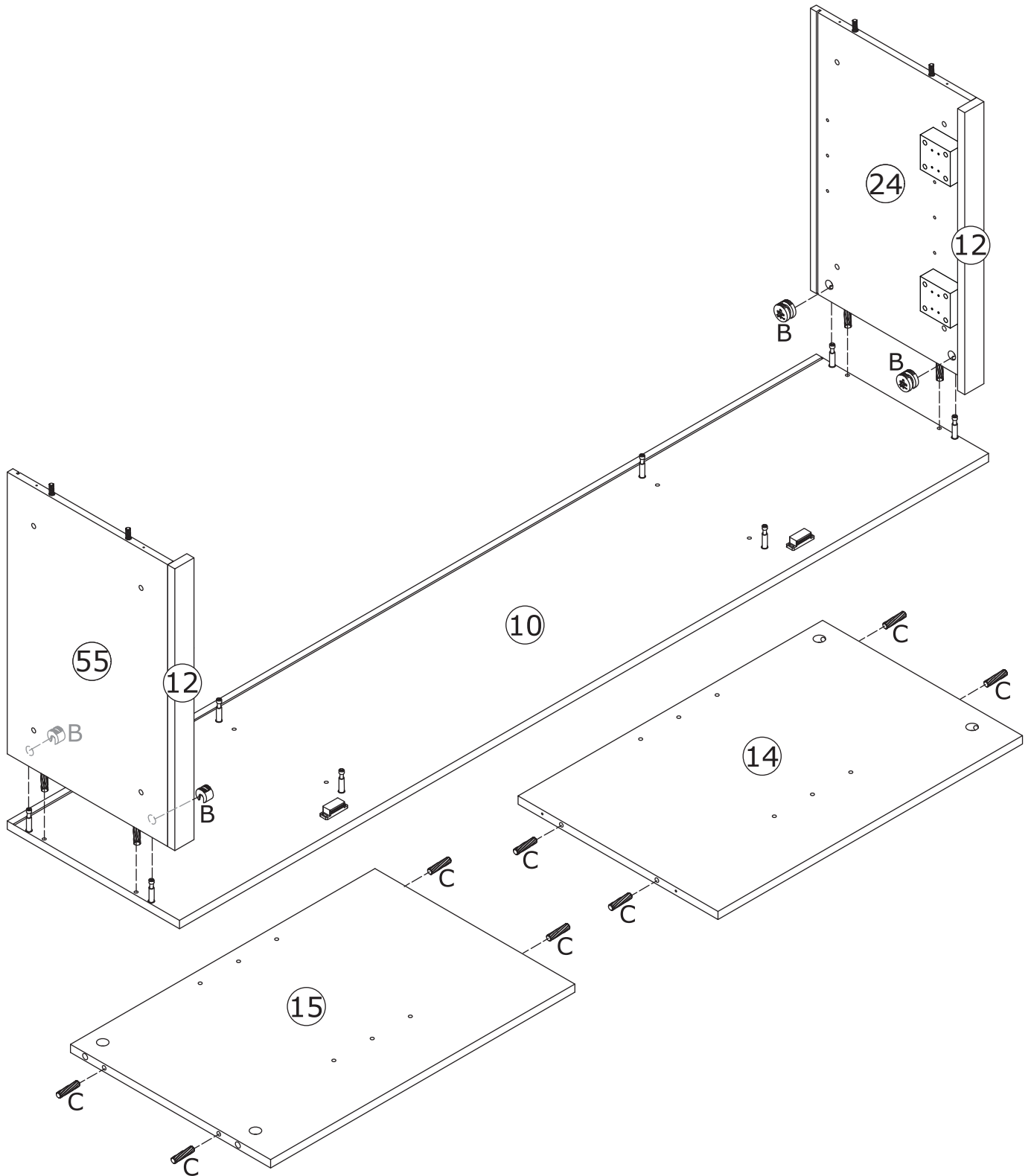
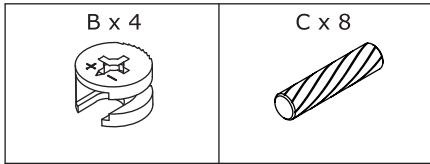


6



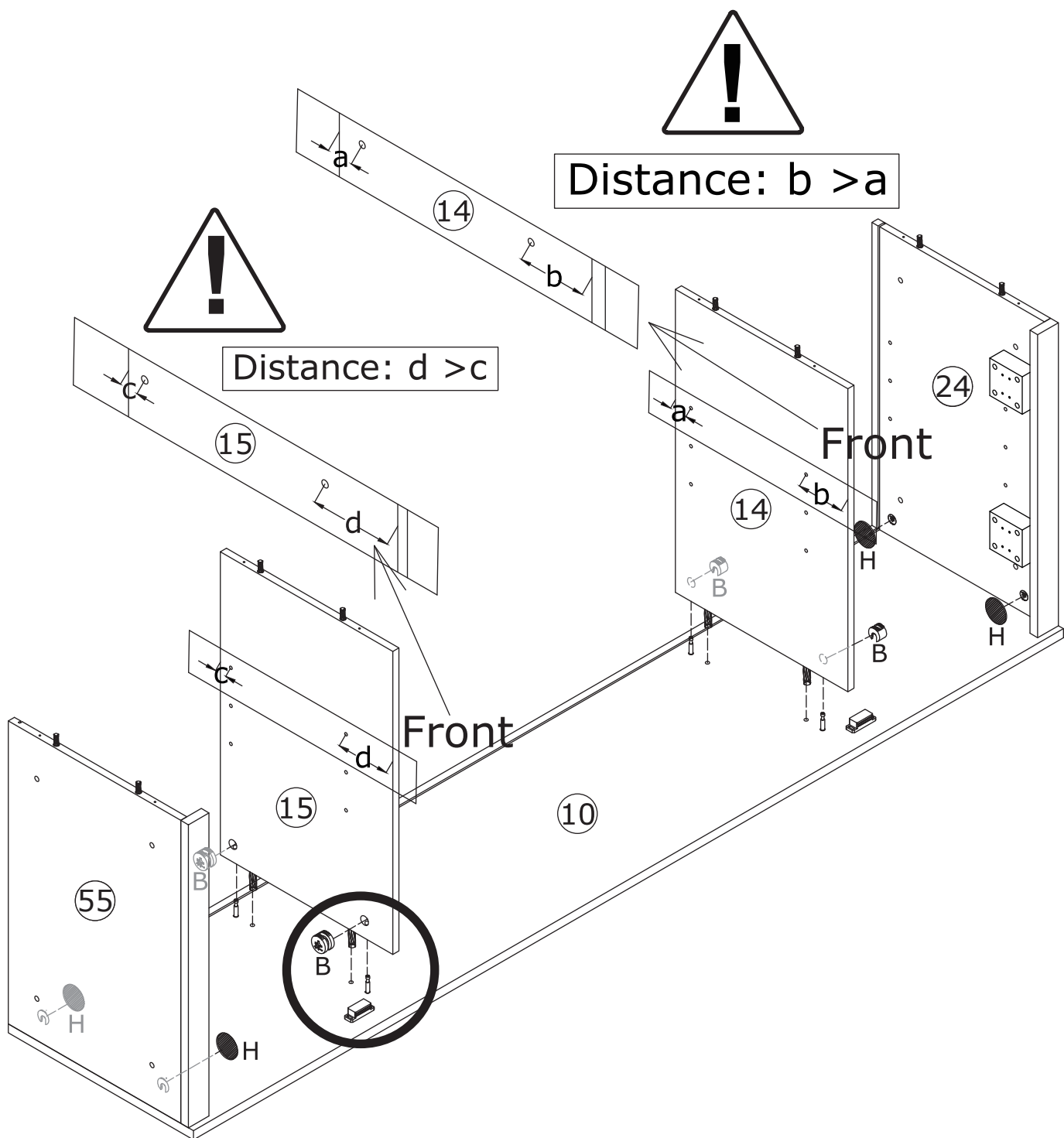
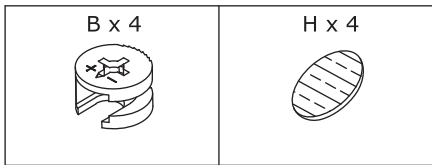
I PRODUCT ASSEMBLY

7

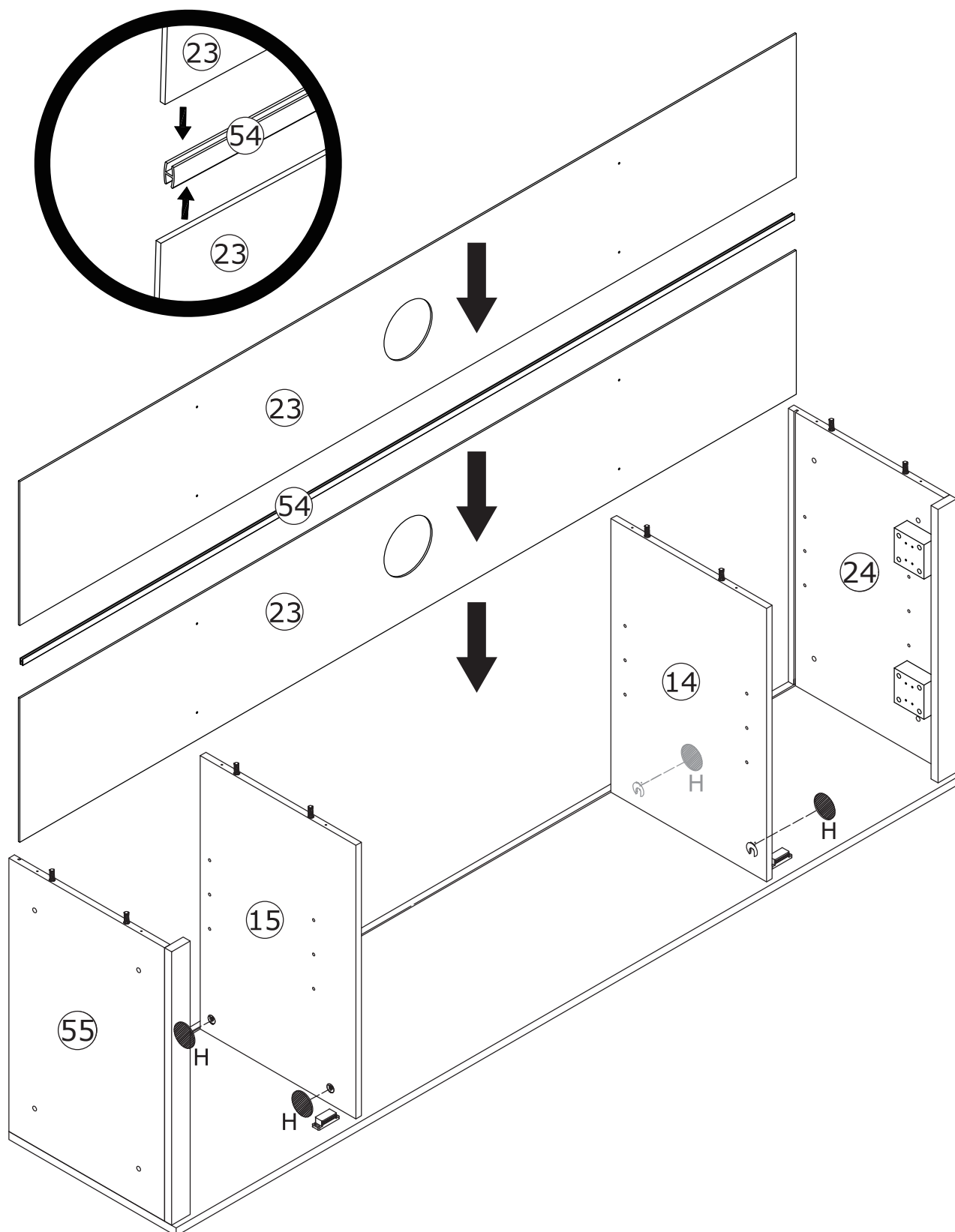
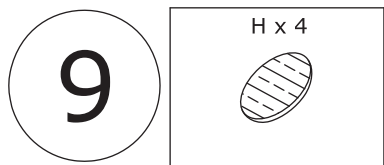


I PRODUCT ASSEMBLY

8

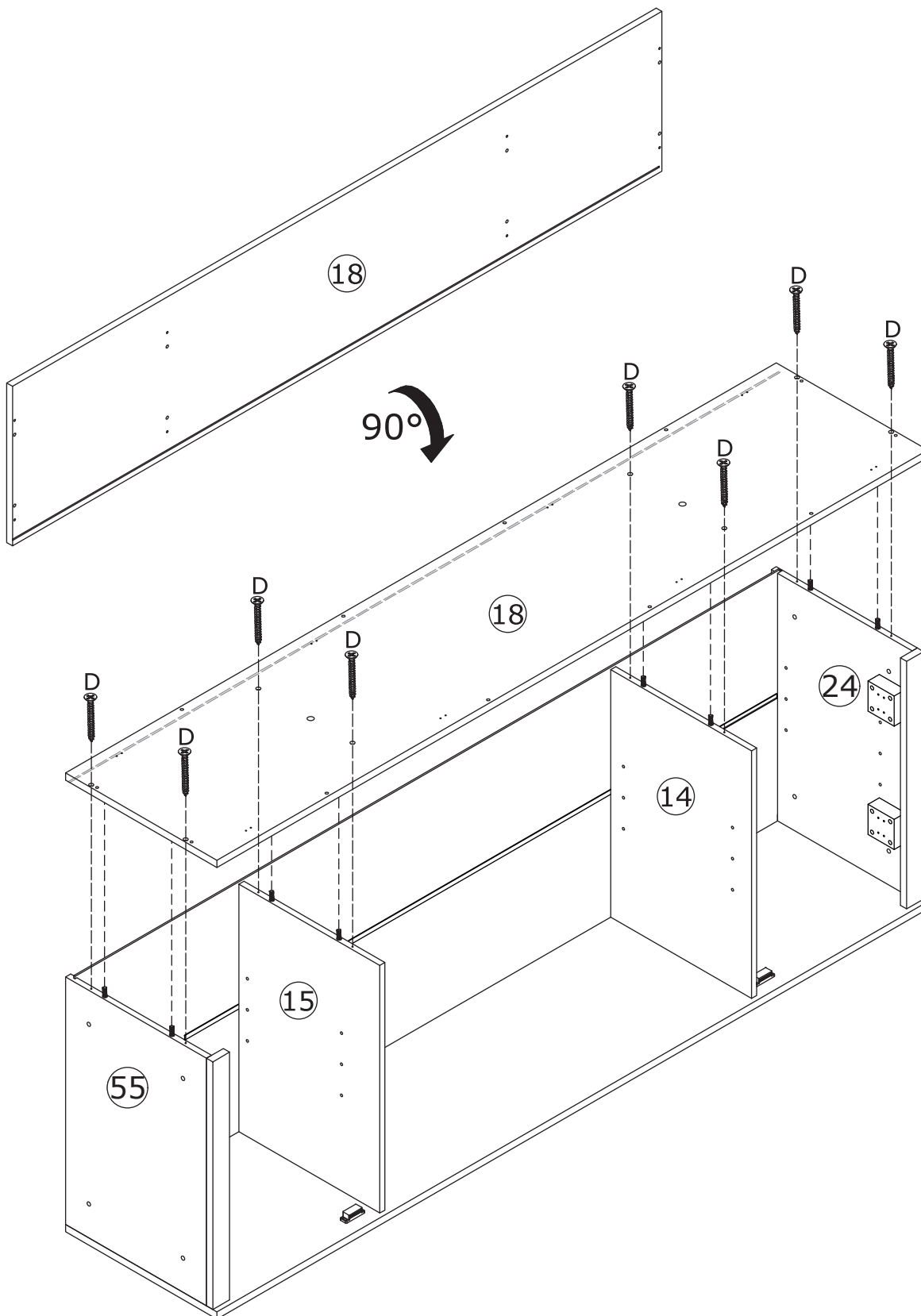
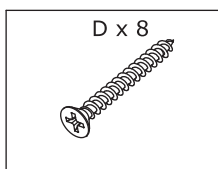


I PRODUCT ASSEMBLY



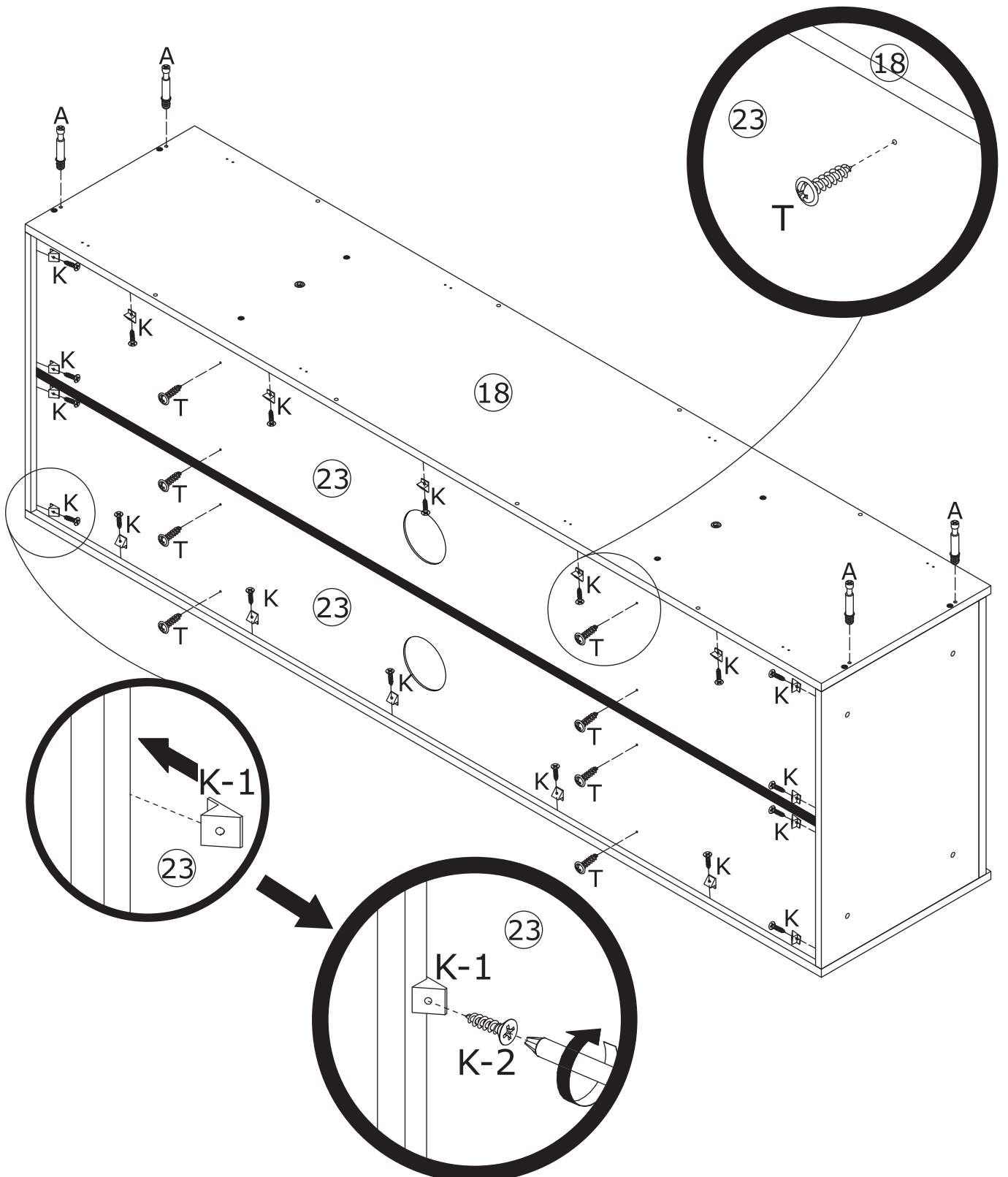
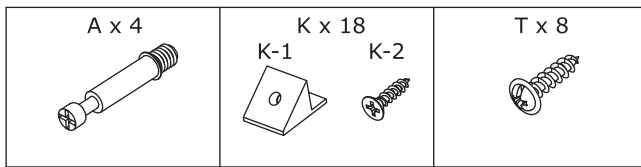
I PRODUCT ASSEMBLY

10



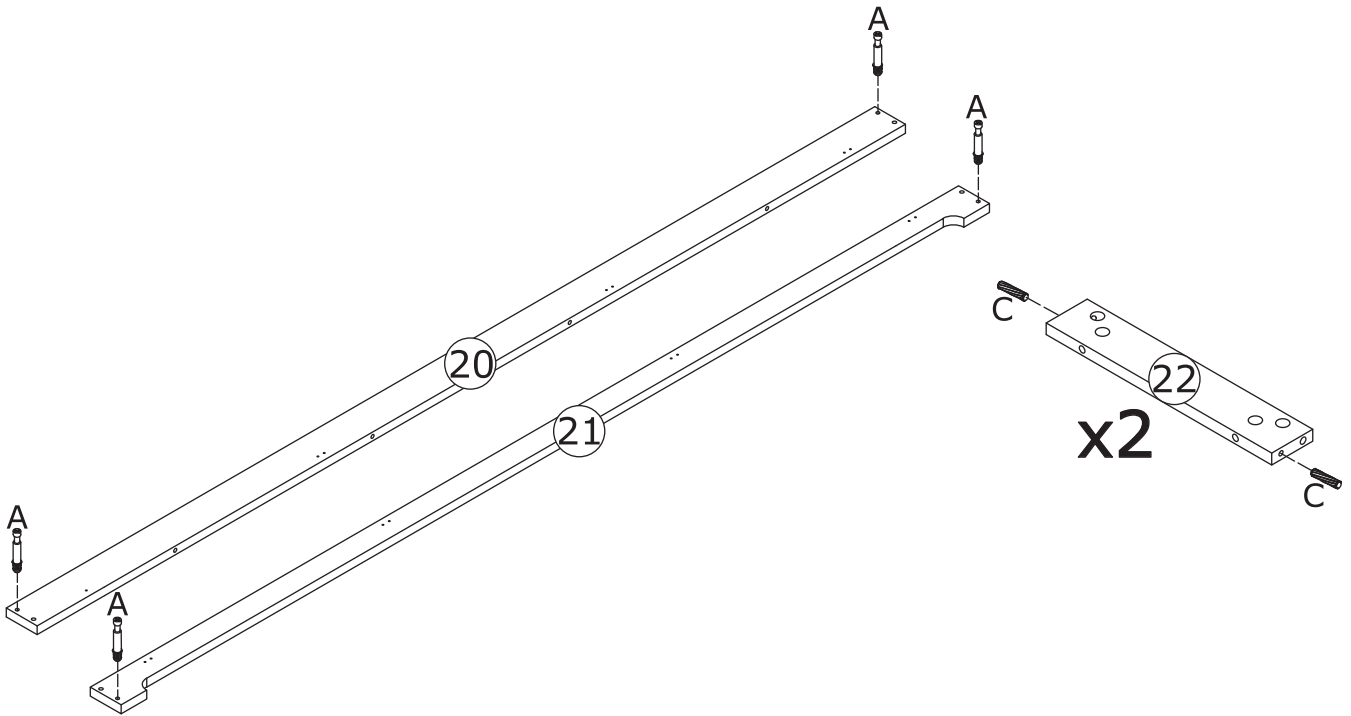
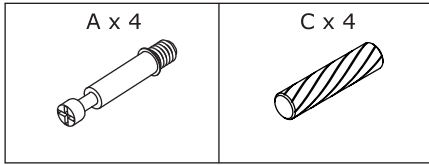
I PRODUCT ASSEMBLY

11

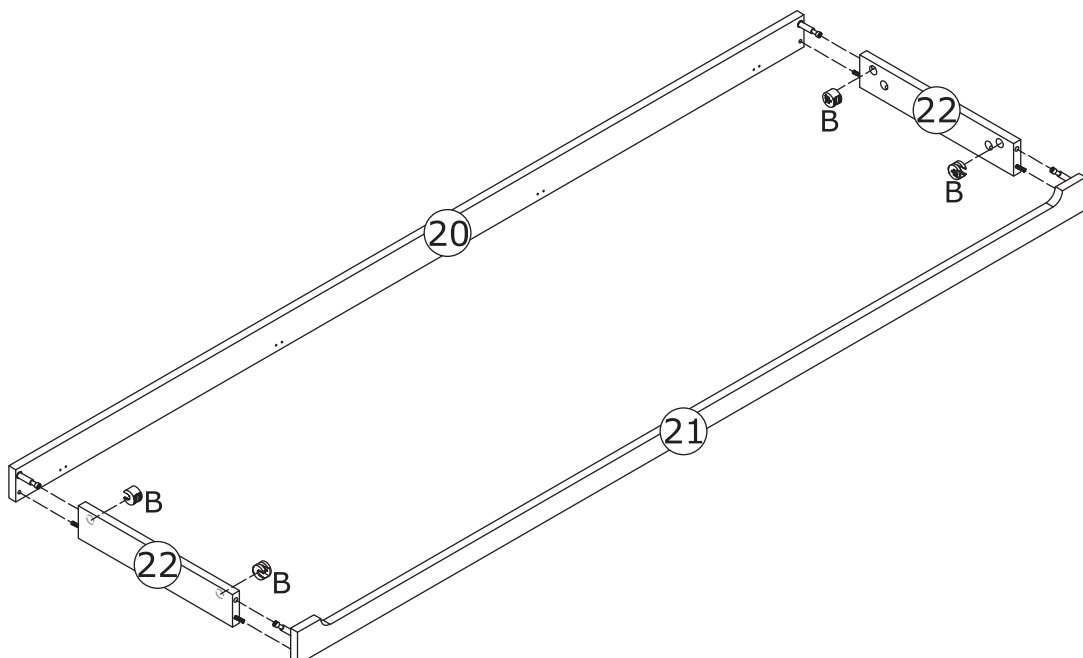
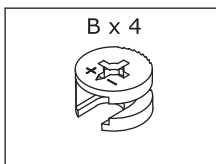


I PRODUCT ASSEMBLY

12

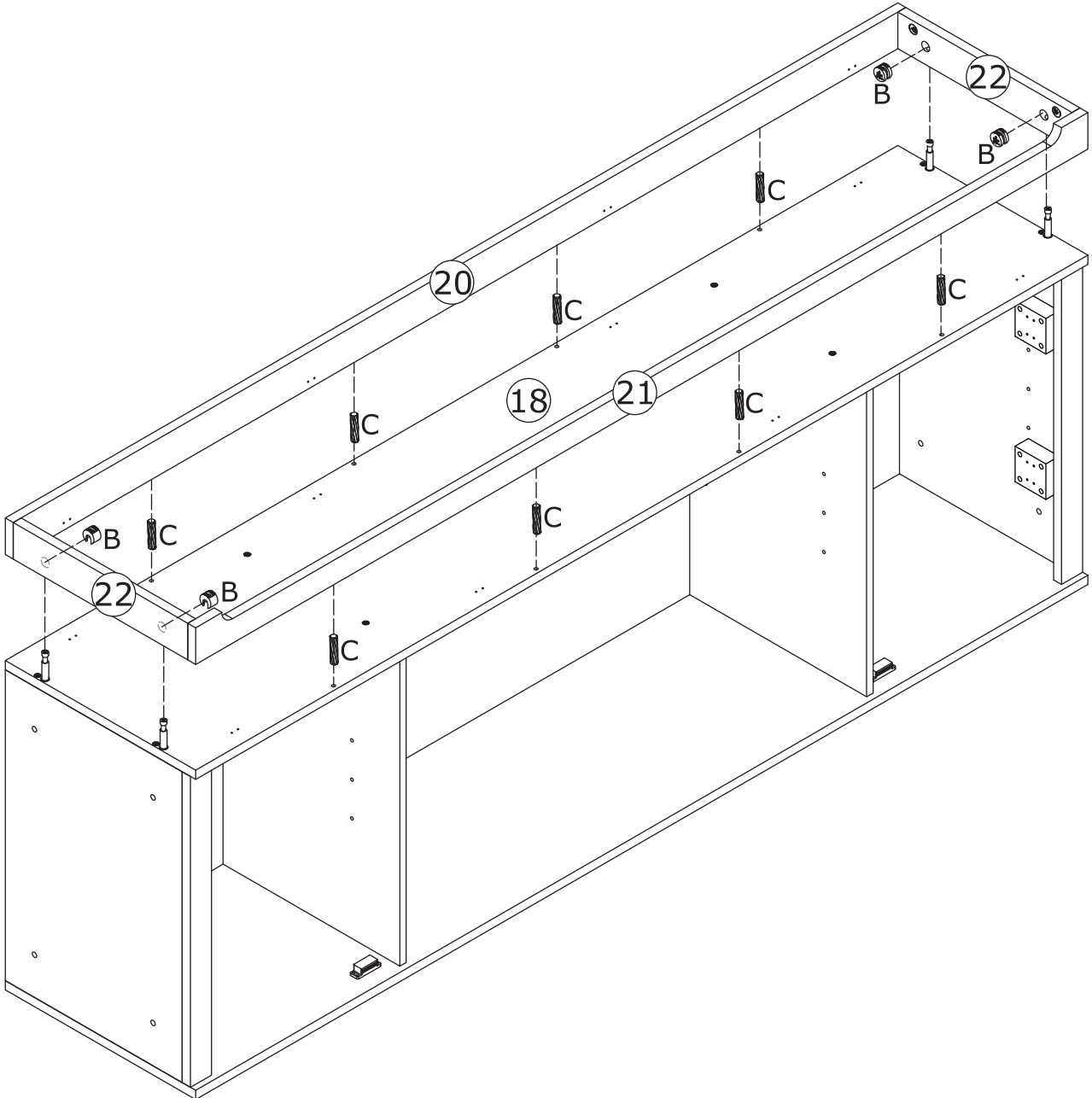
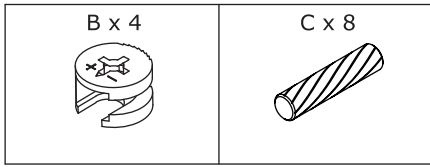


13



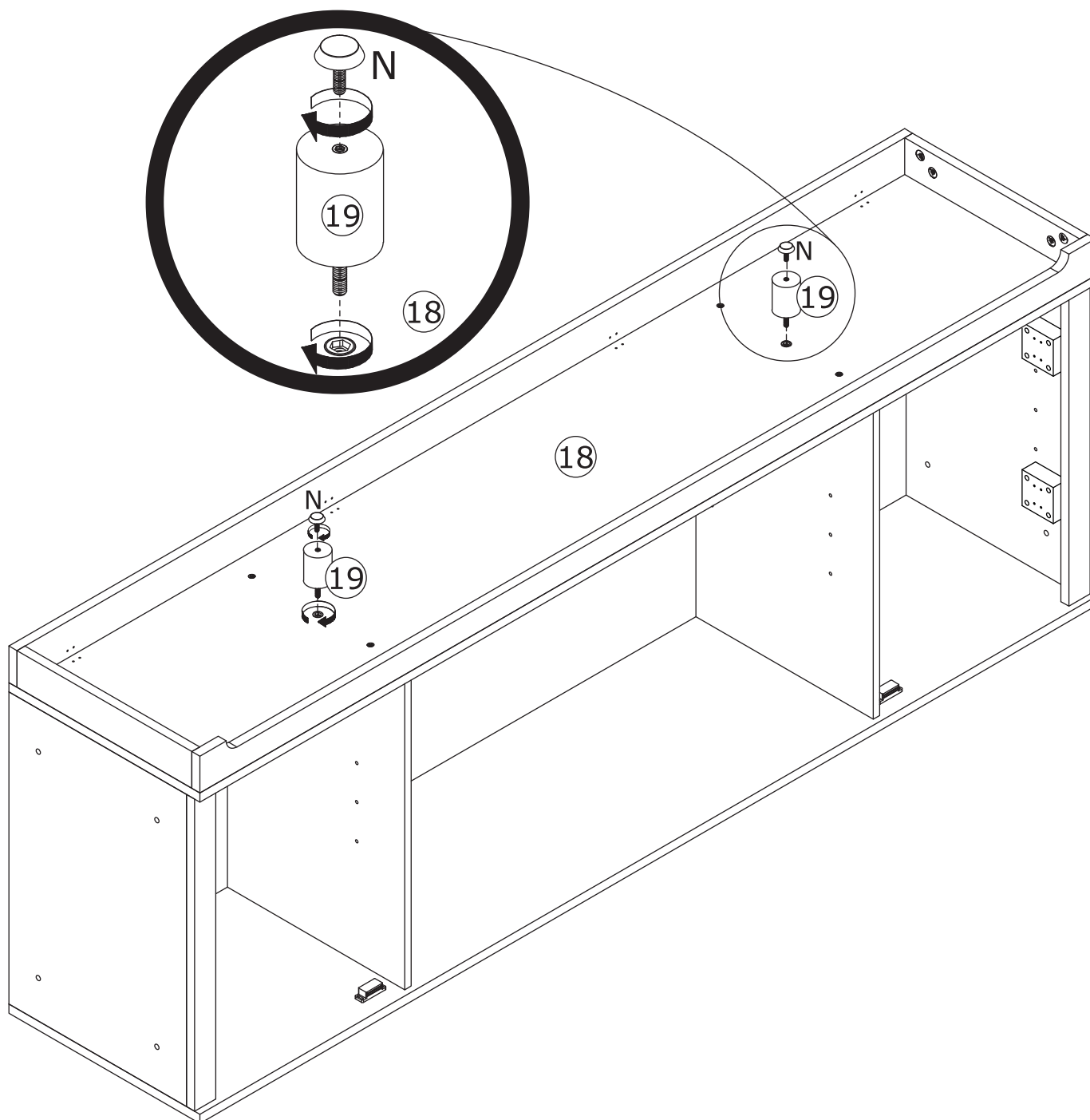
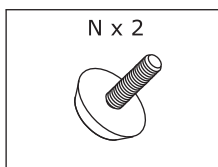
I PRODUCT ASSEMBLY

14



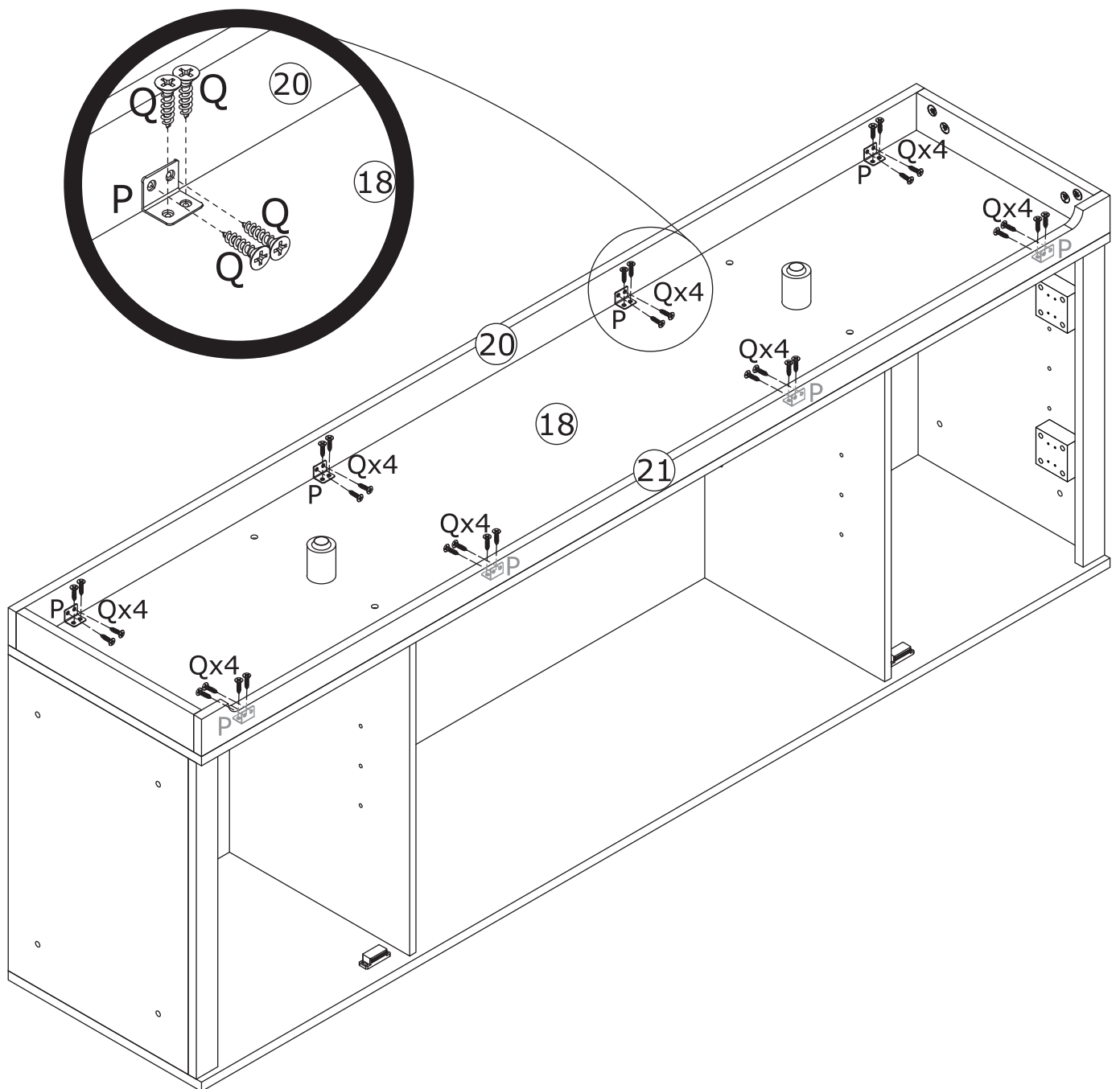
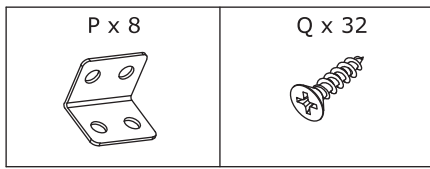
I PRODUCT ASSEMBLY

15

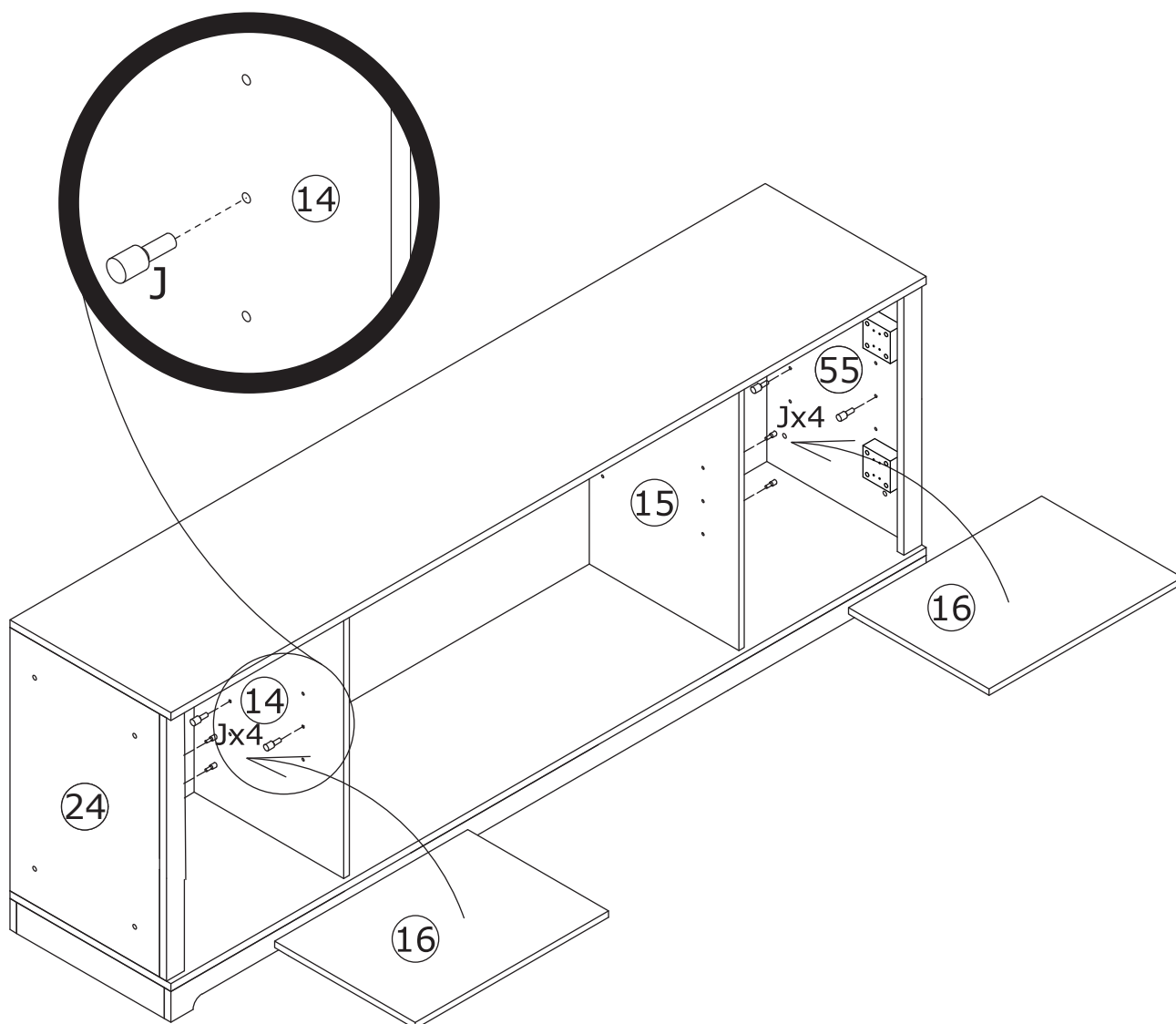
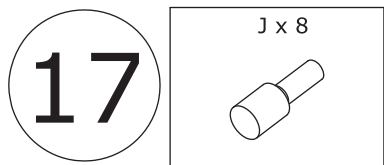


I PRODUCT ASSEMBLY

16

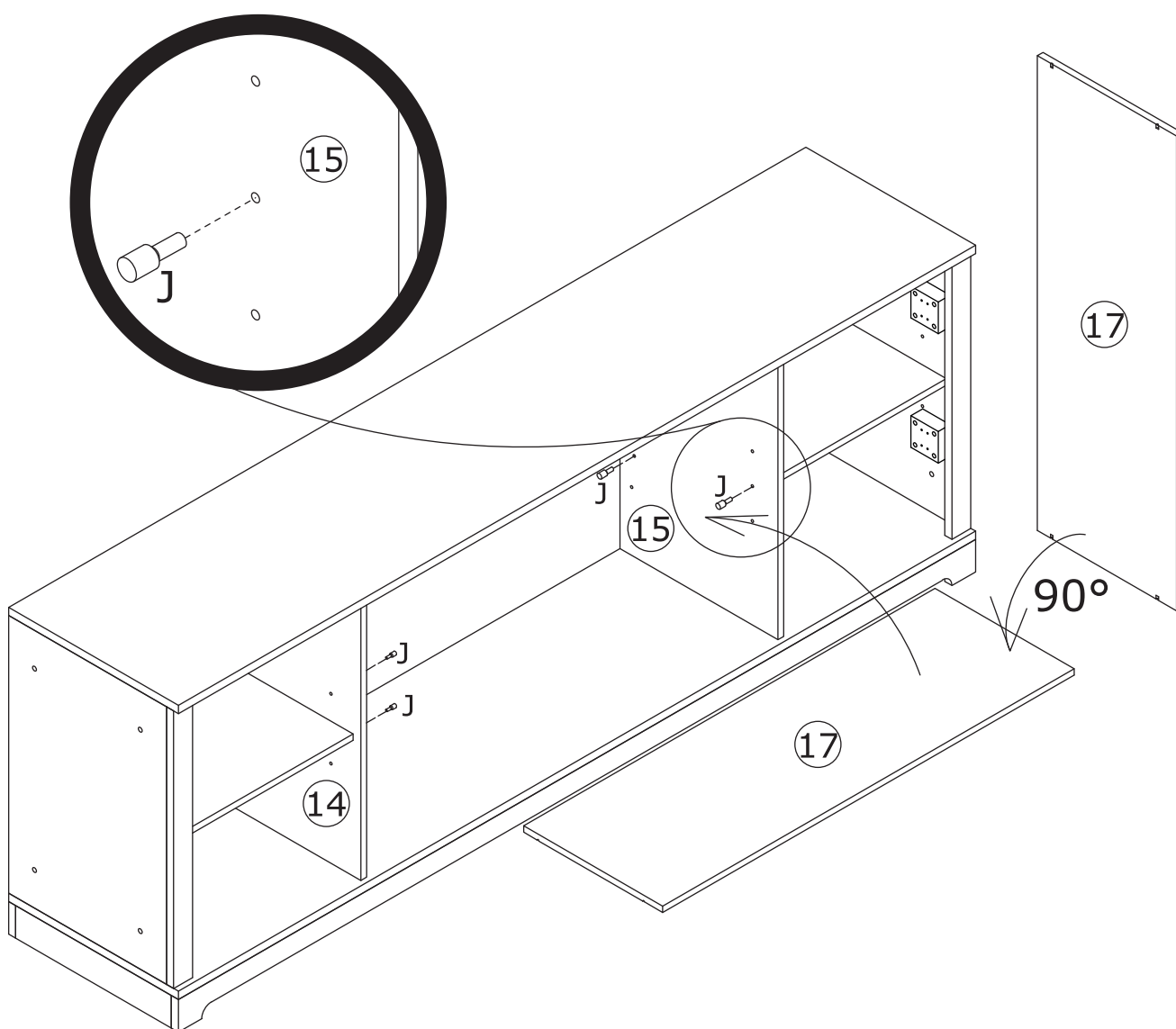
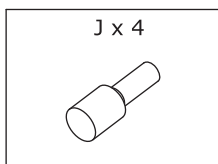


I PRODUCT ASSEMBLY



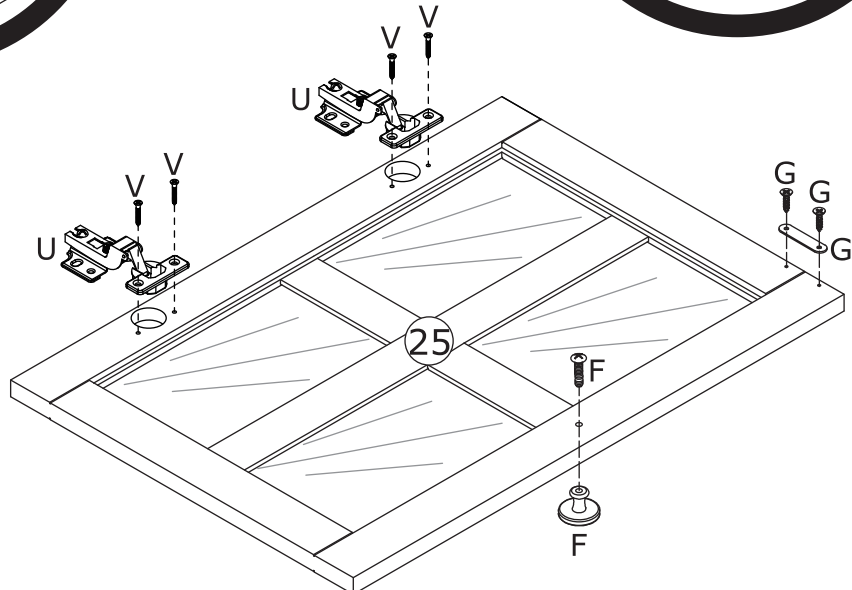
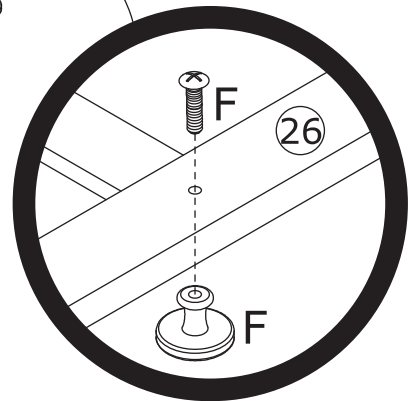
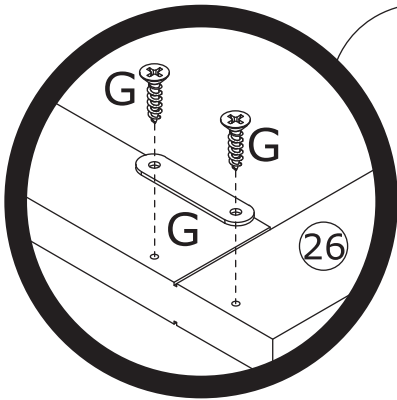
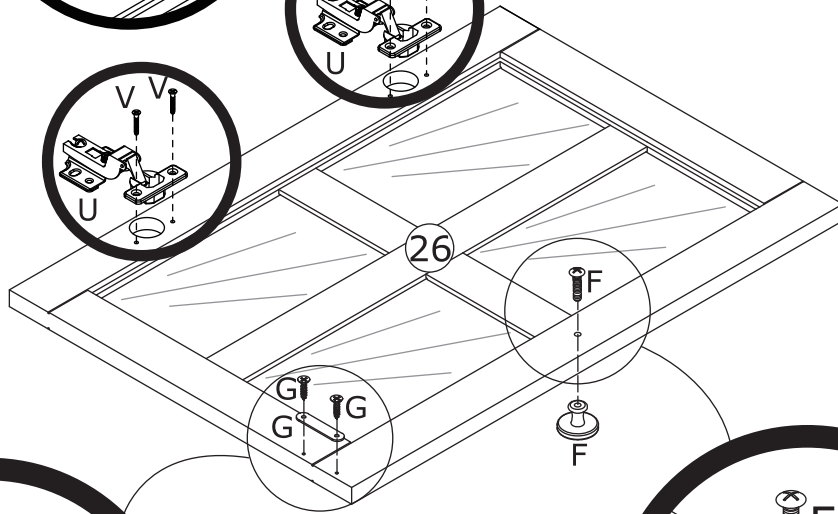
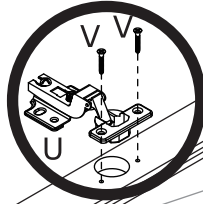
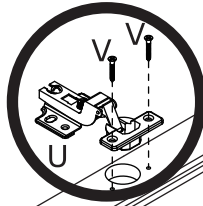
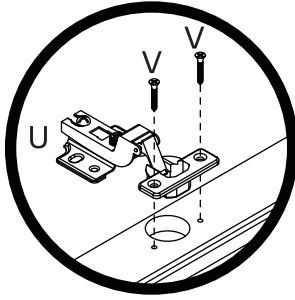
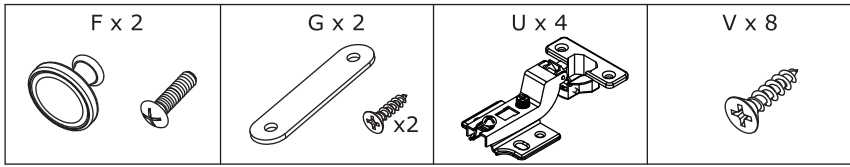
I PRODUCT ASSEMBLY

18



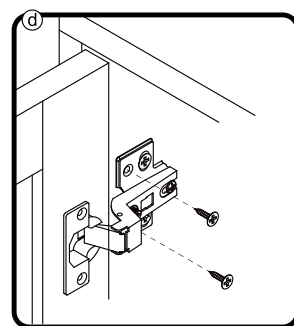
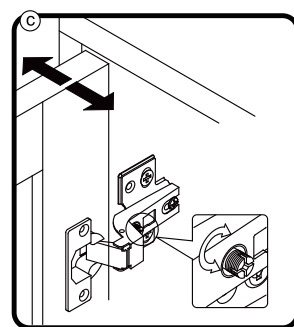
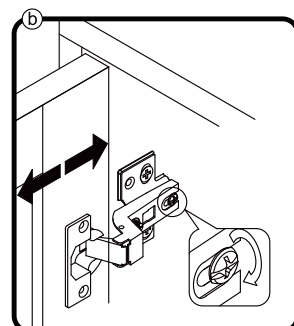
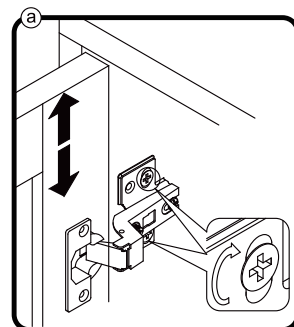
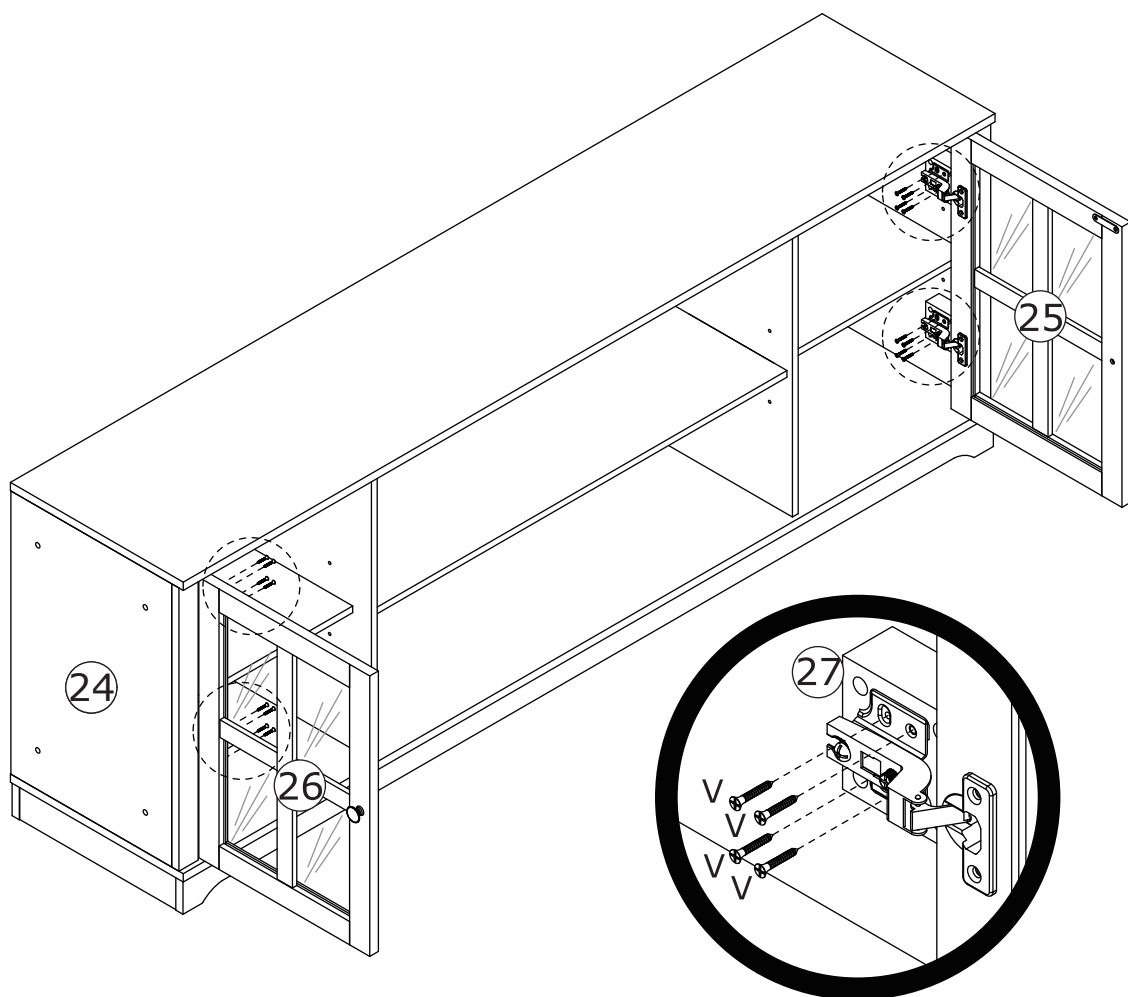
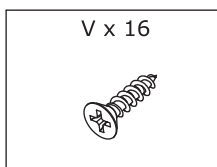
I PRODUCT ASSEMBLY

19



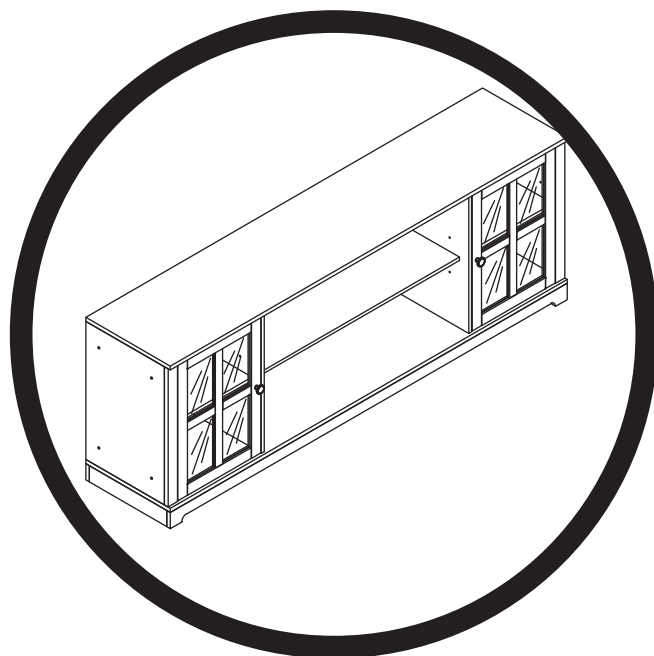
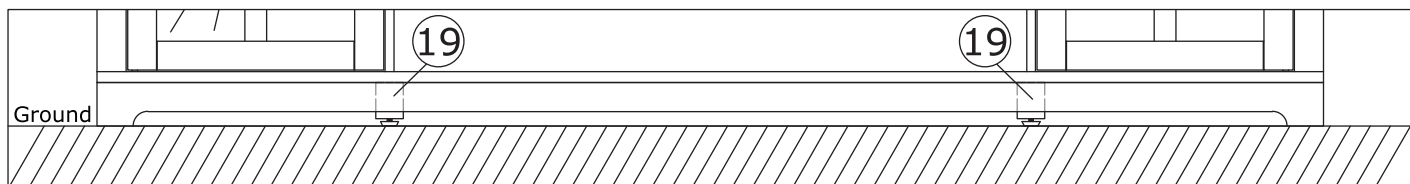
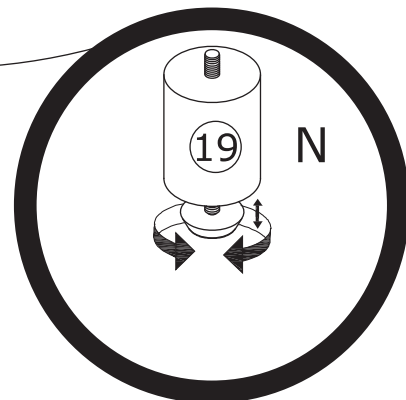
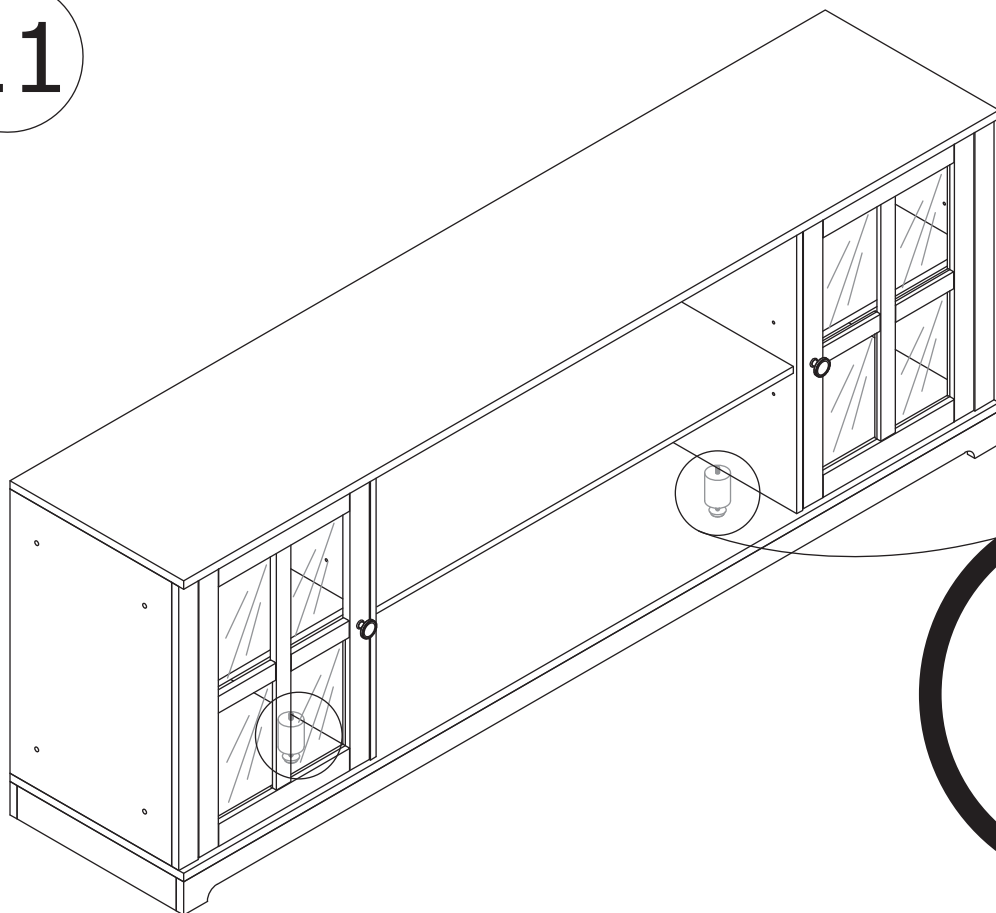
I PRODUCT ASSEMBLY

20



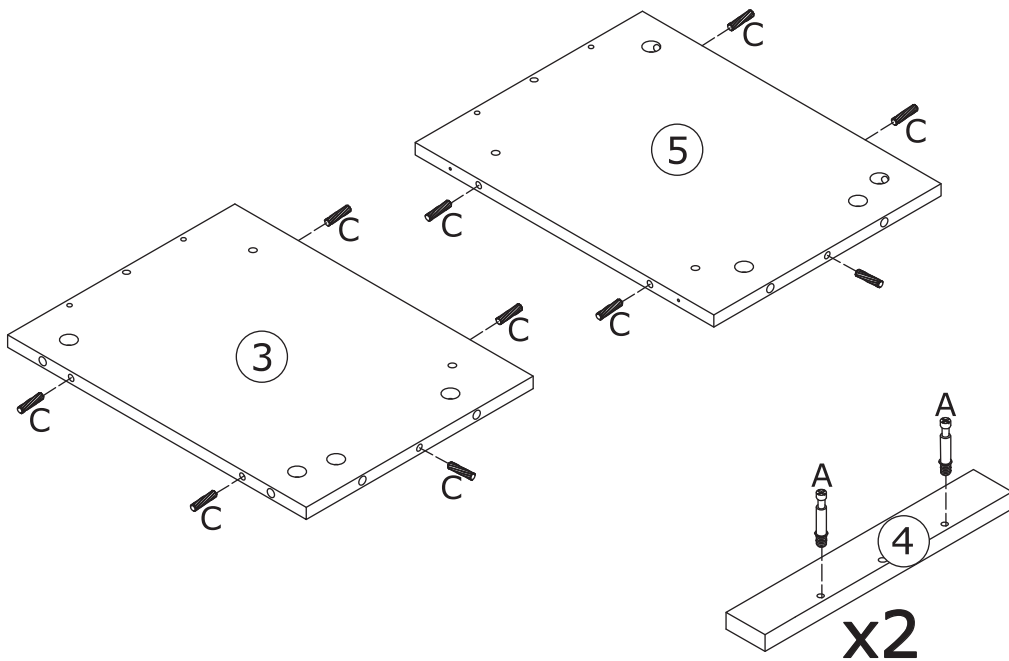
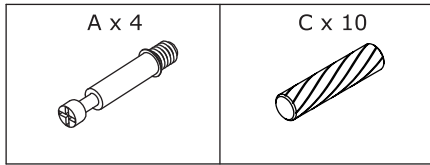
I PRODUCT ASSEMBLY

21

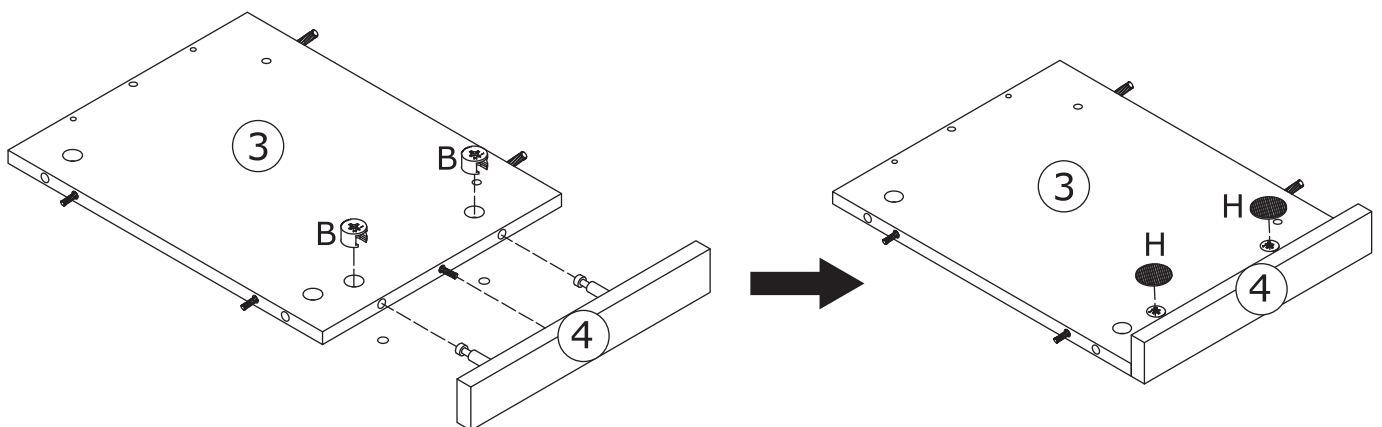
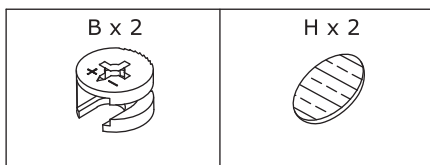


I PRODUCT ASSEMBLY

22

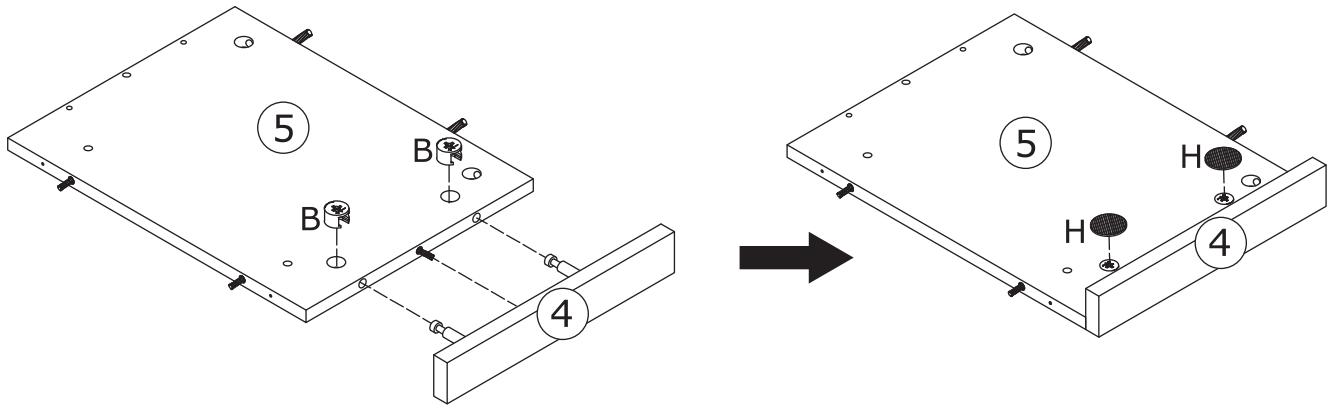
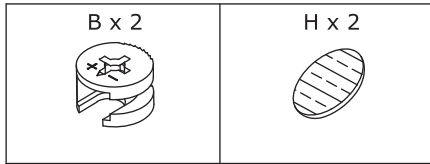


23

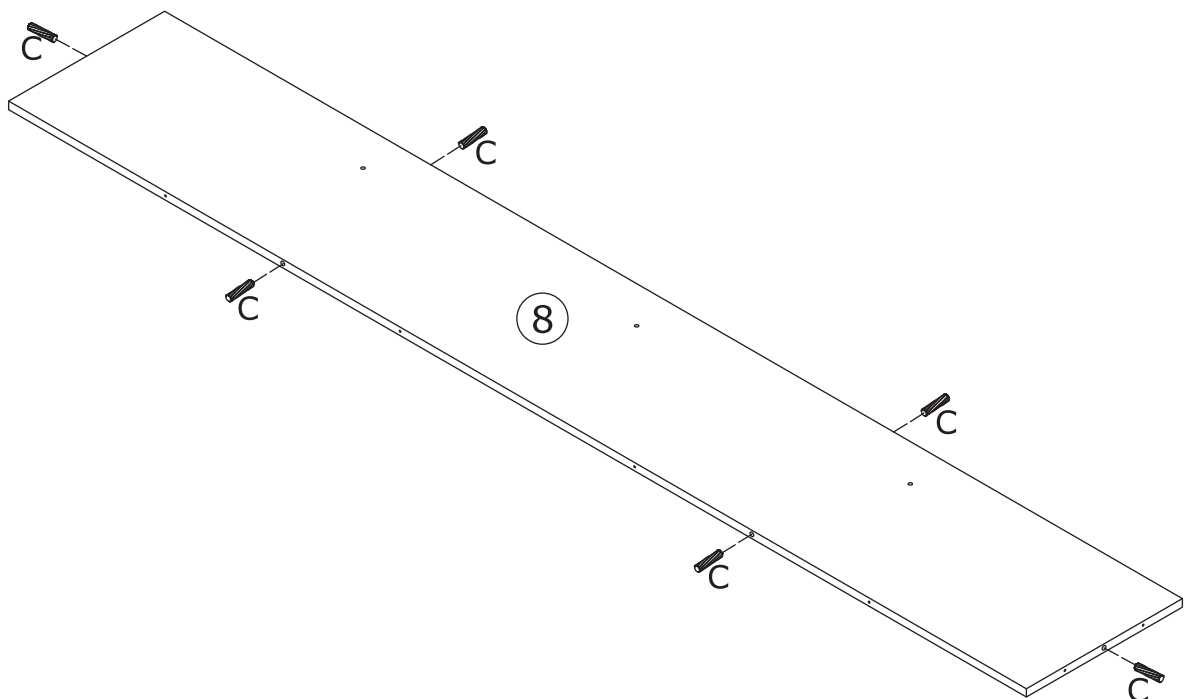
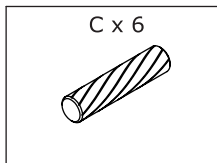


I PRODUCT ASSEMBLY

24

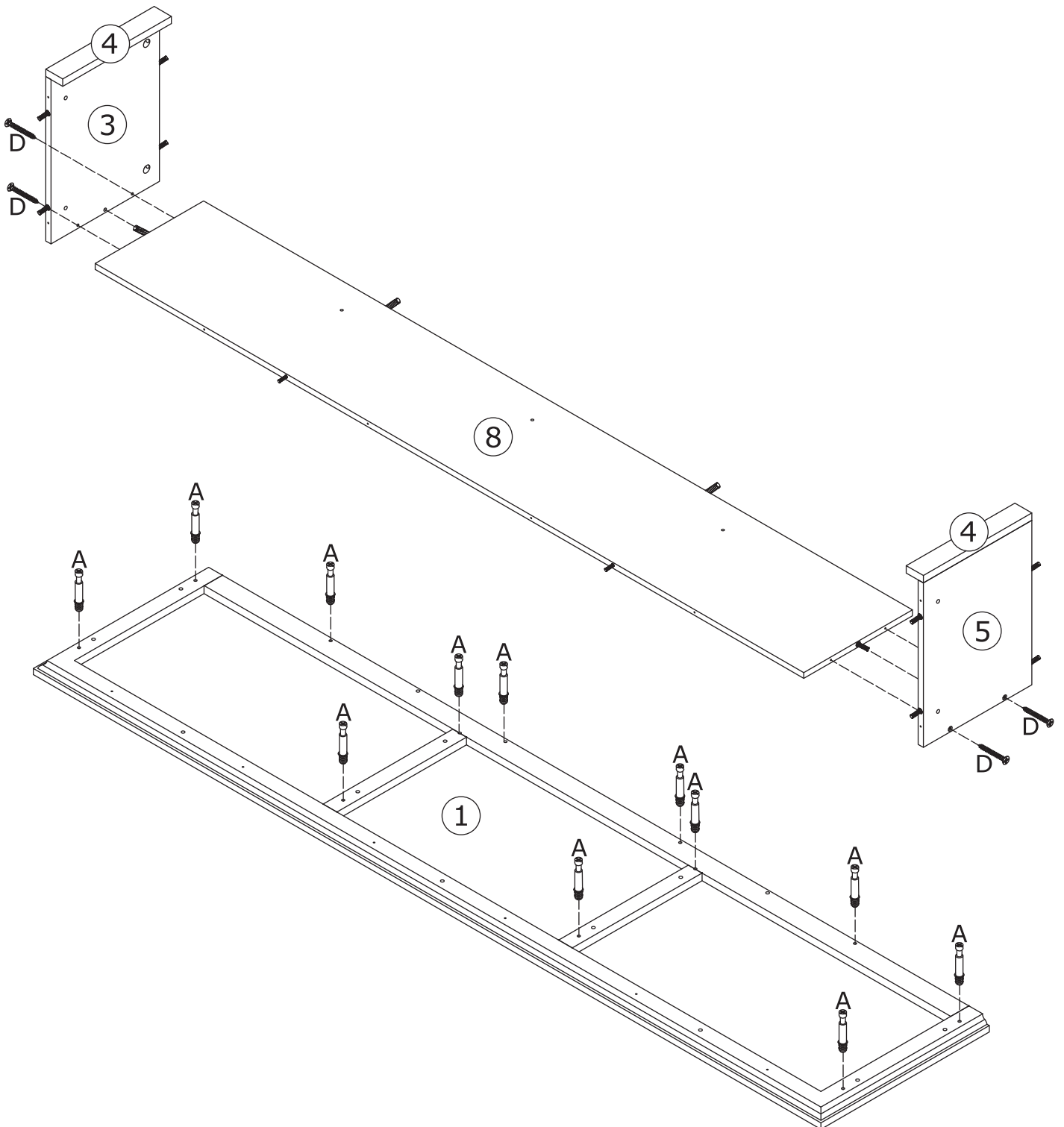
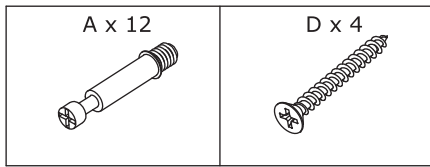


25



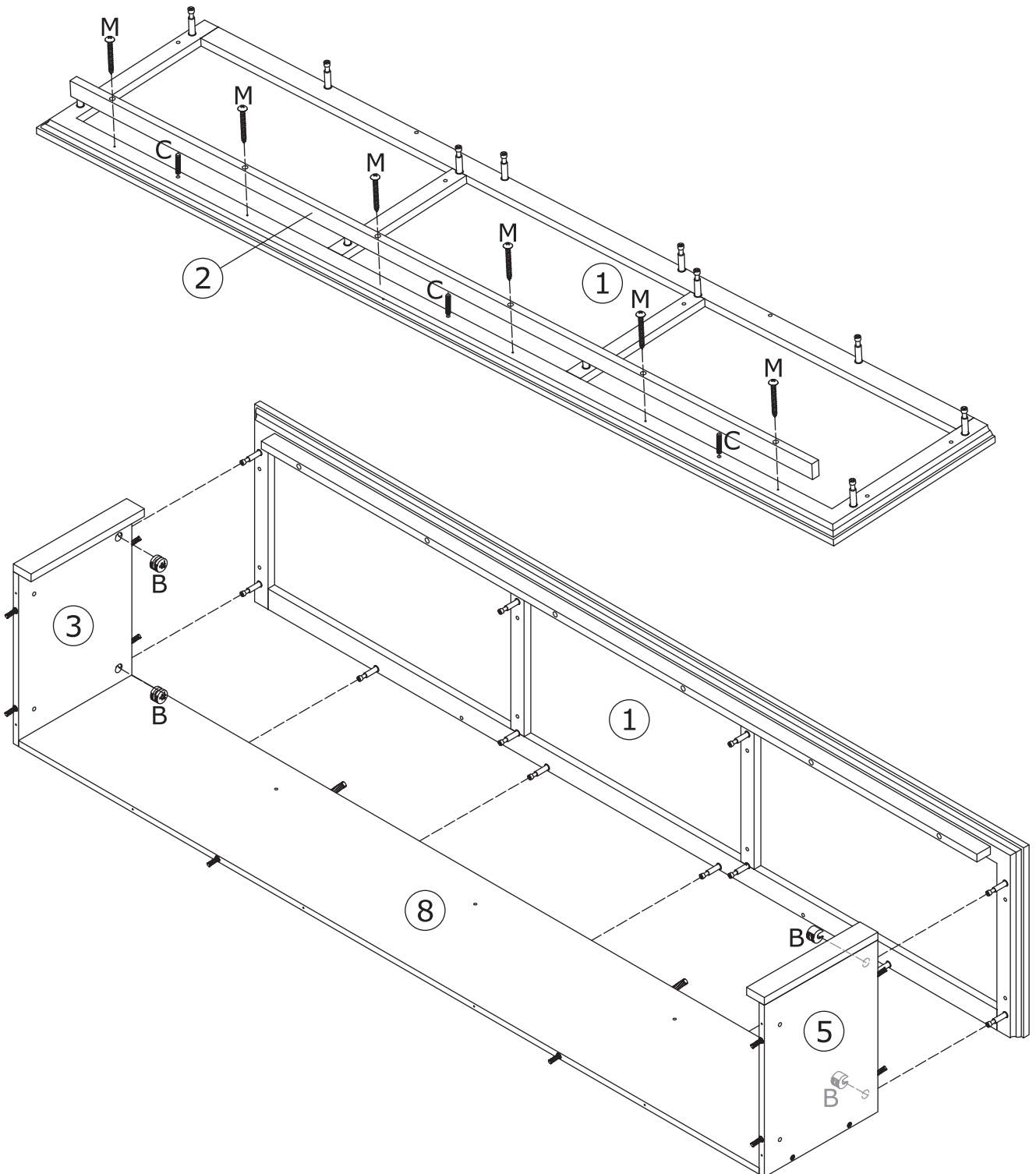
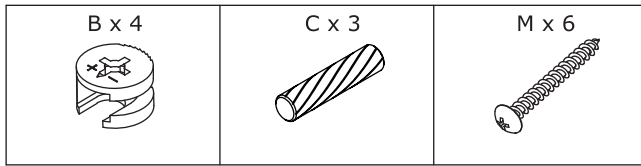
I PRODUCT ASSEMBLY

26



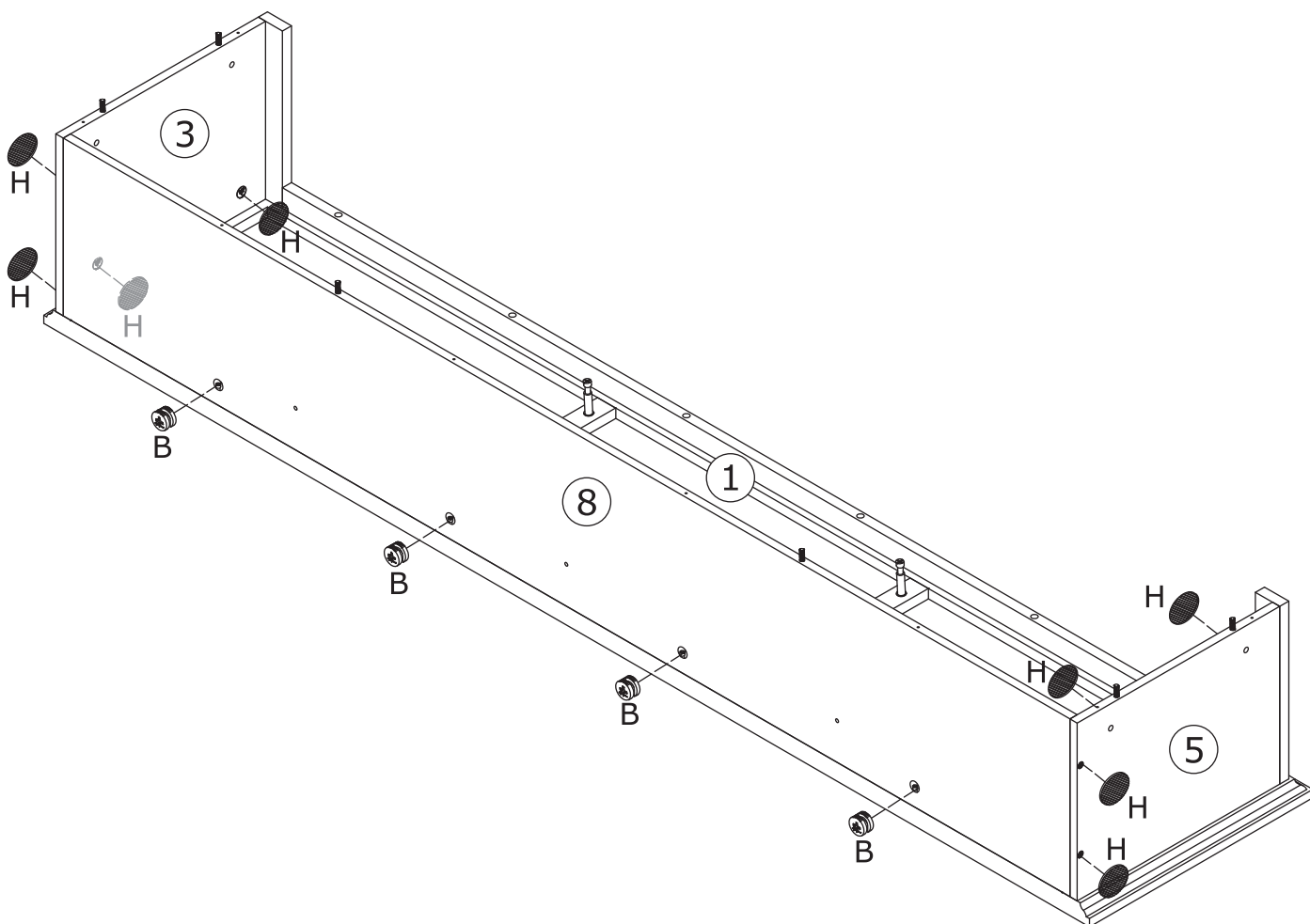
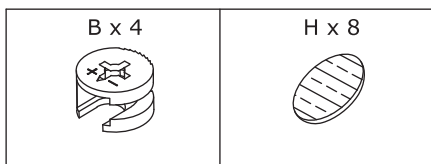
I PRODUCT ASSEMBLY

27



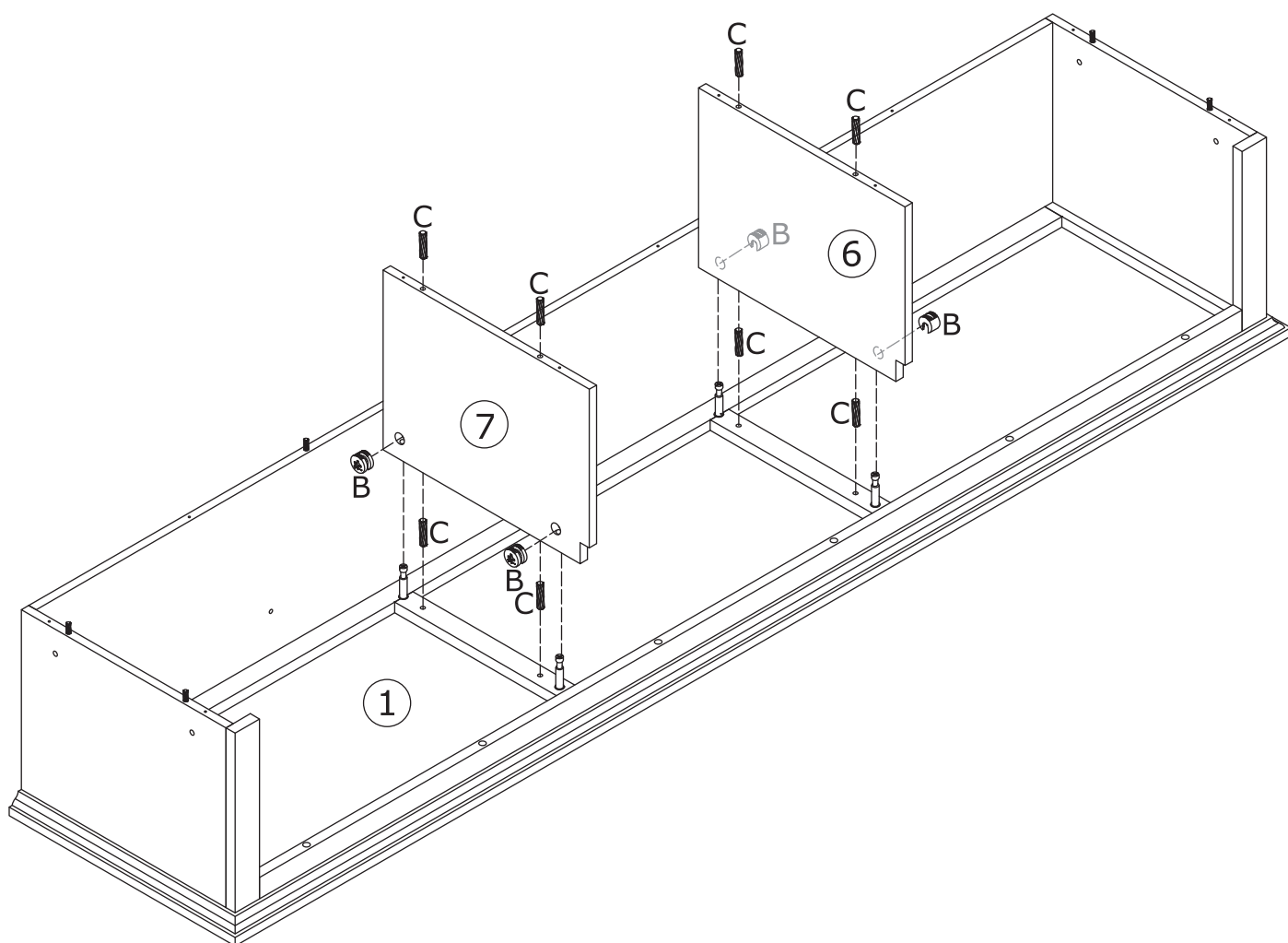
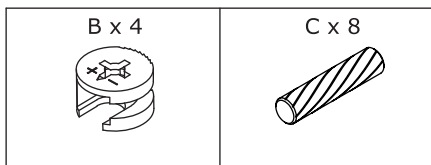
I PRODUCT ASSEMBLY

28



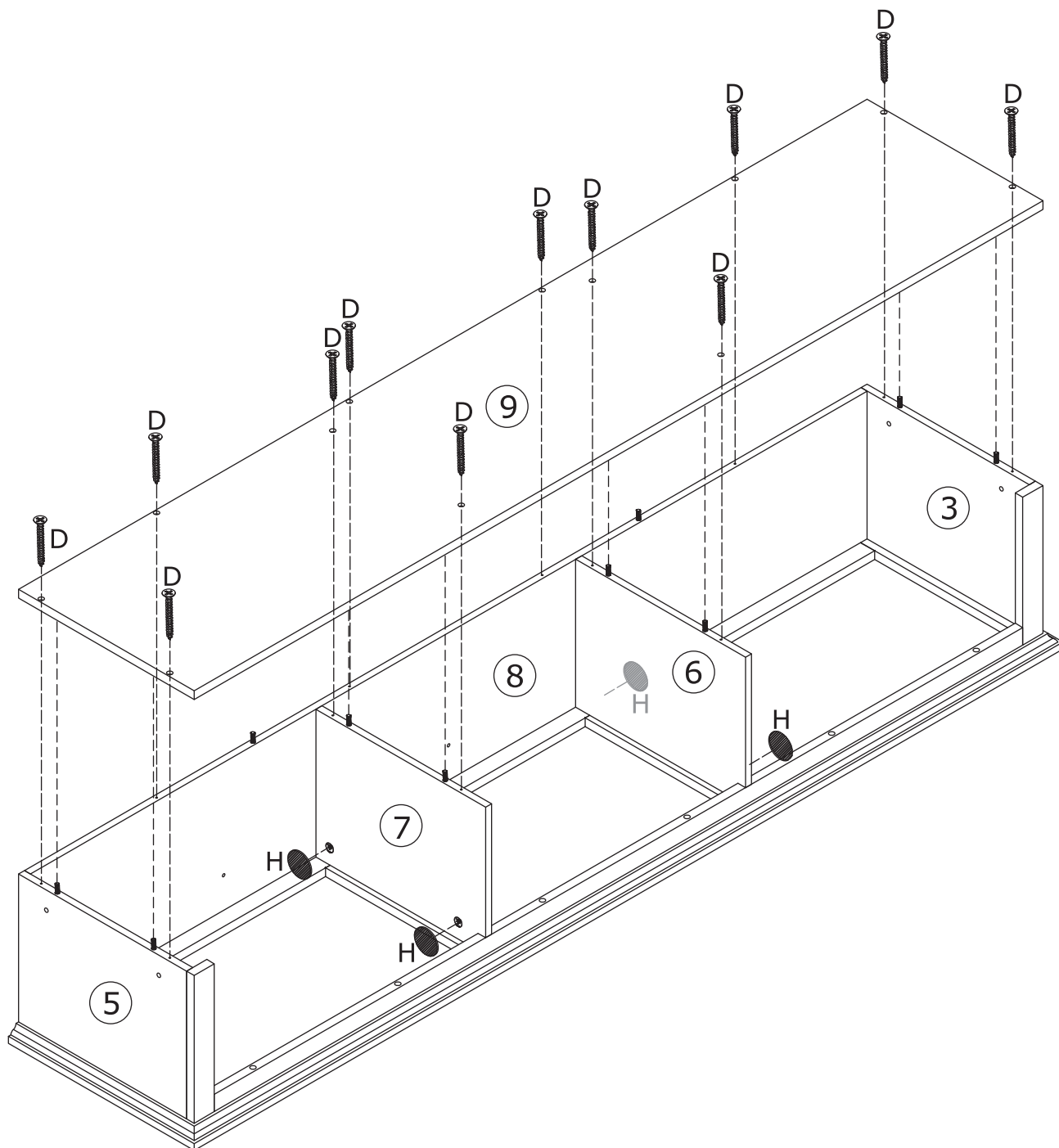
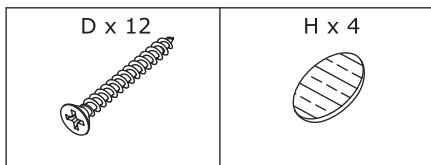
I PRODUCT ASSEMBLY

29



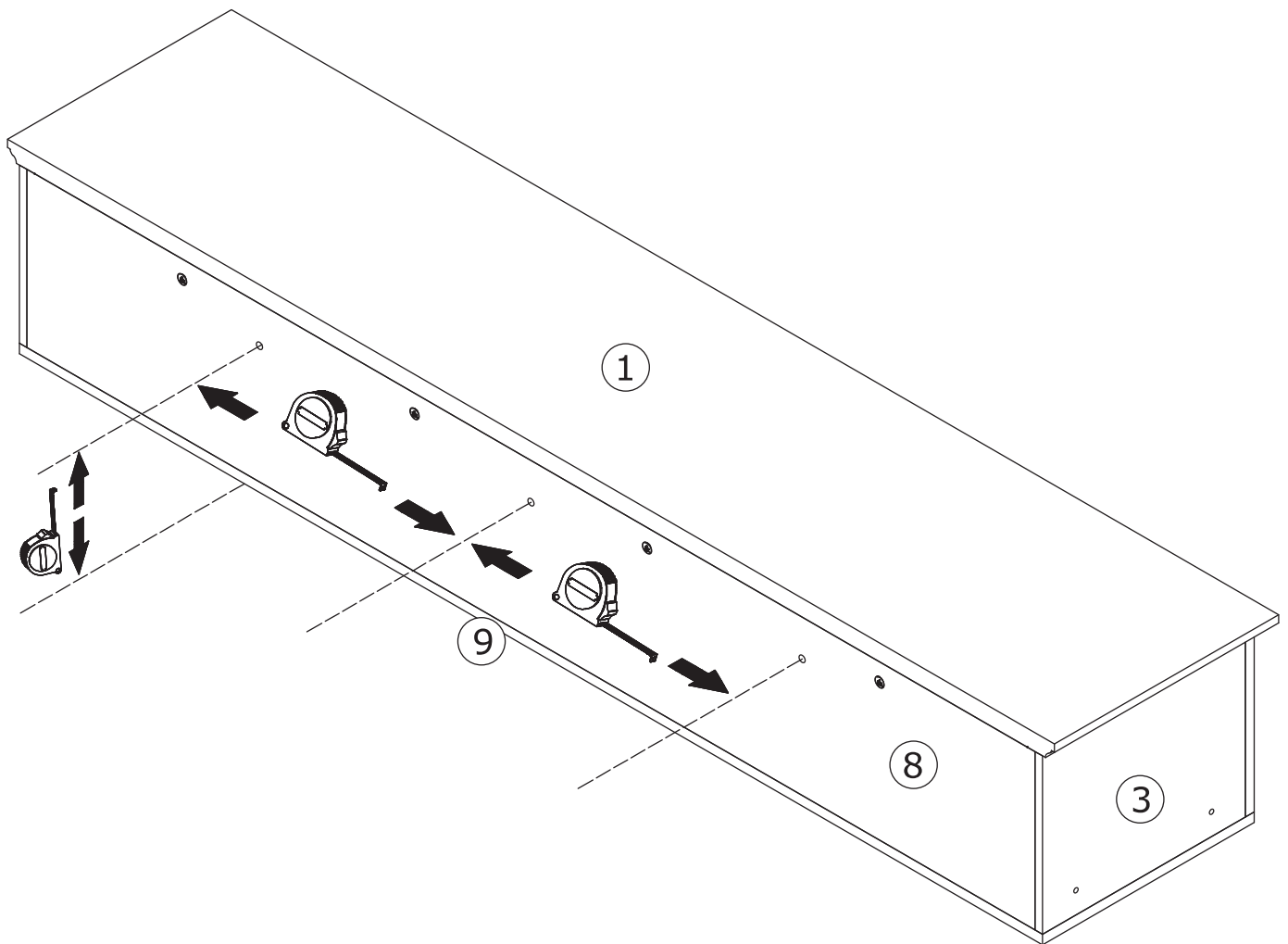
I PRODUCT ASSEMBLY

30



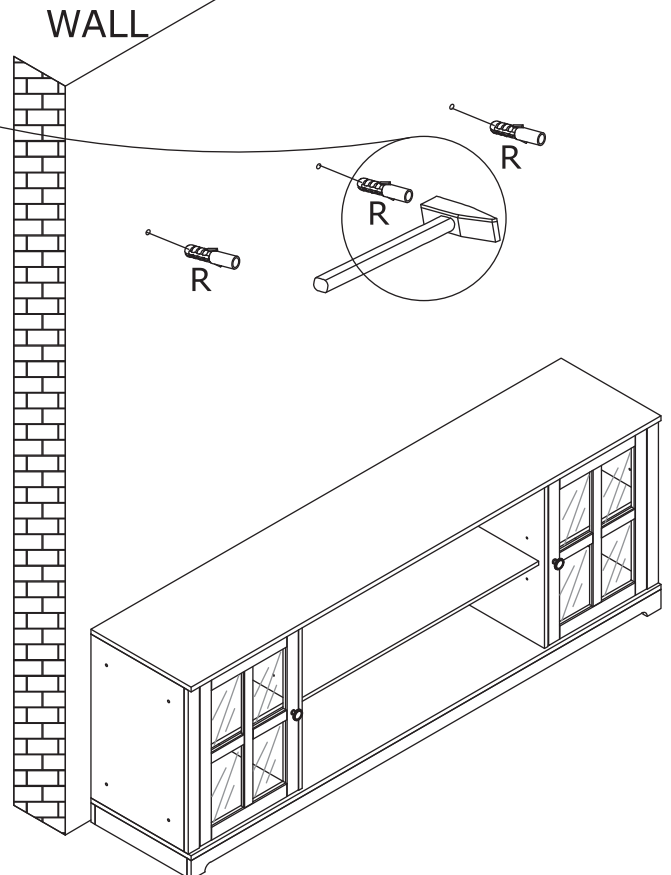
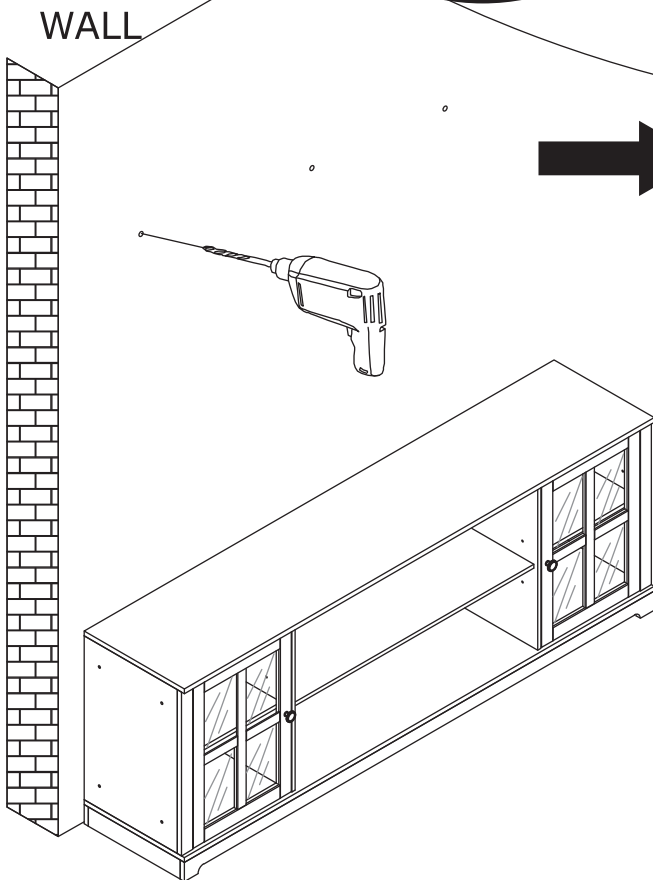
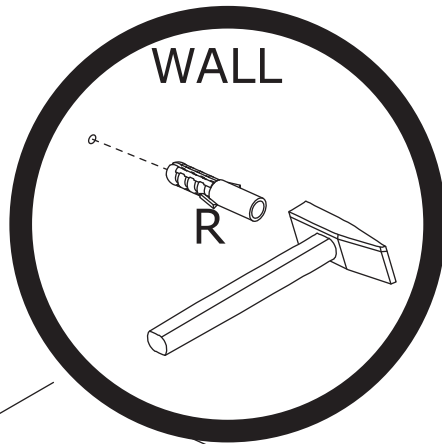
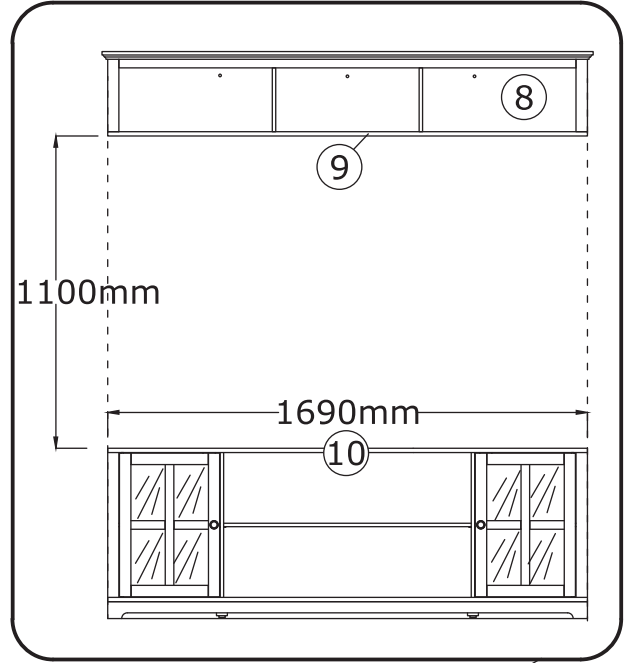
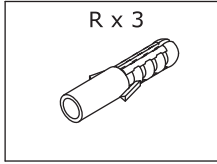
I PRODUCT ASSEMBLY

31



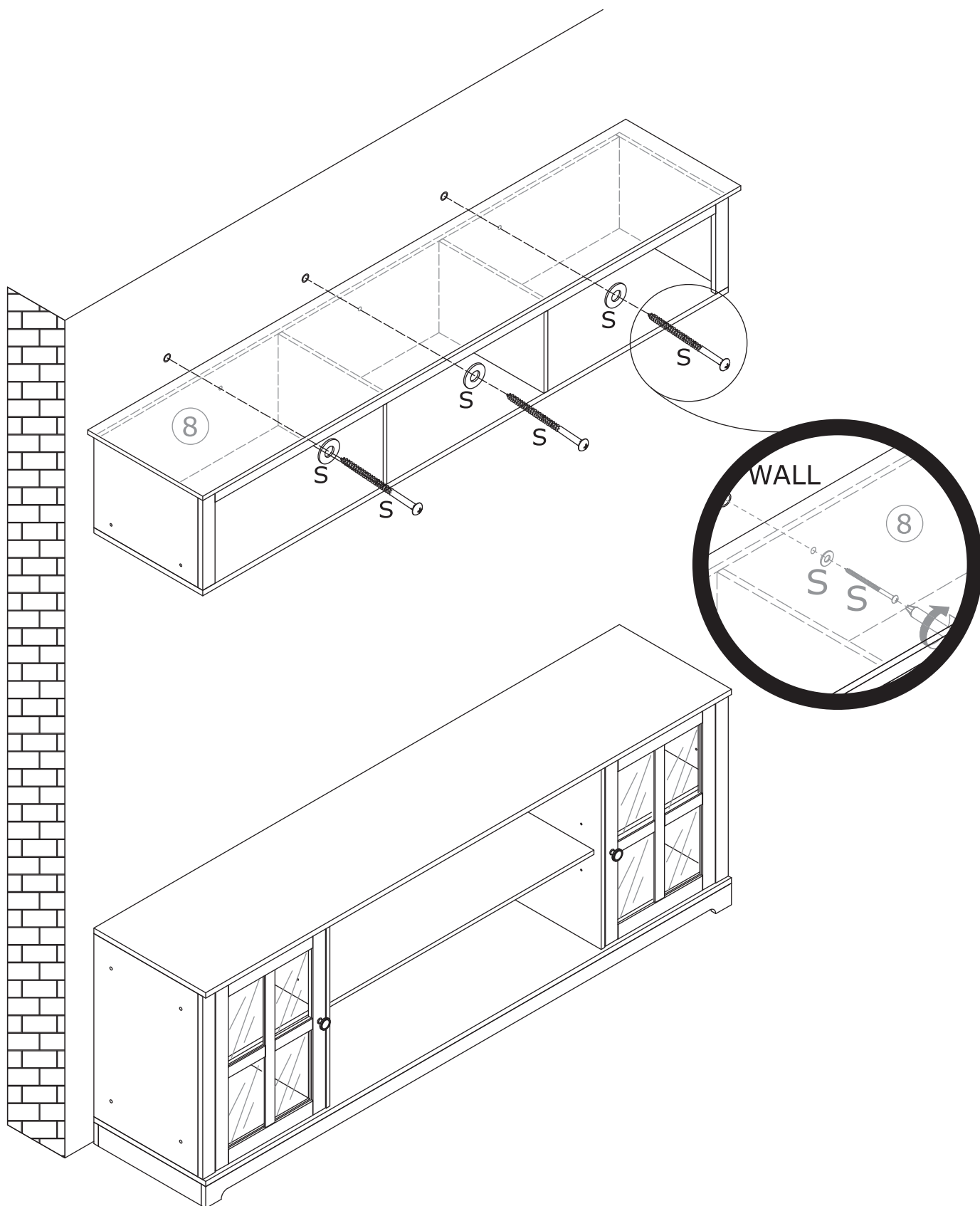
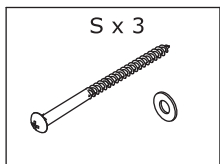
I PRODUCT ASSEMBLY

32



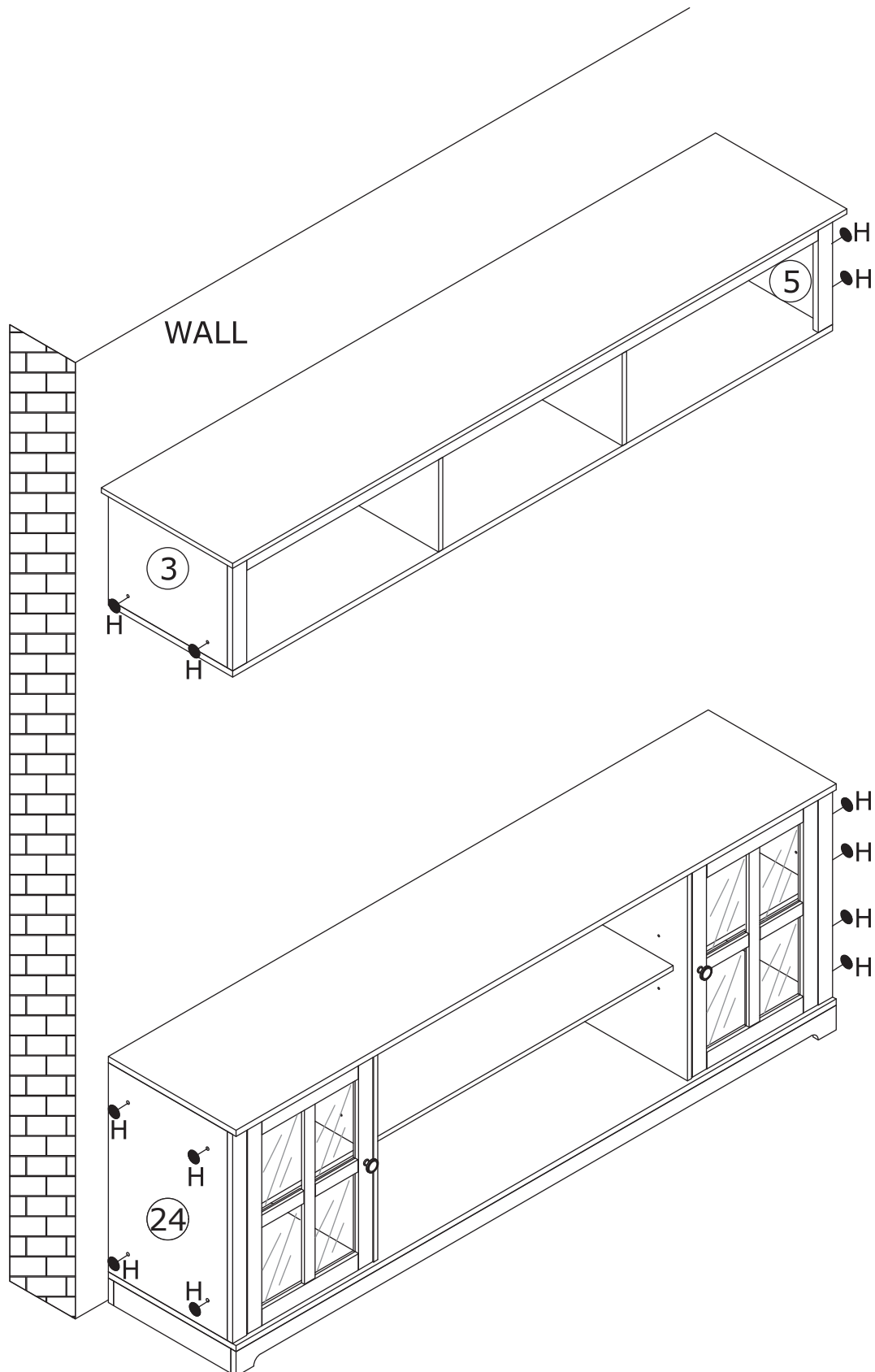
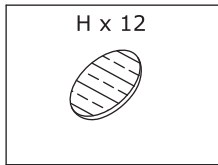
I PRODUCT ASSEMBLY

33



I PRODUCT ASSEMBLY

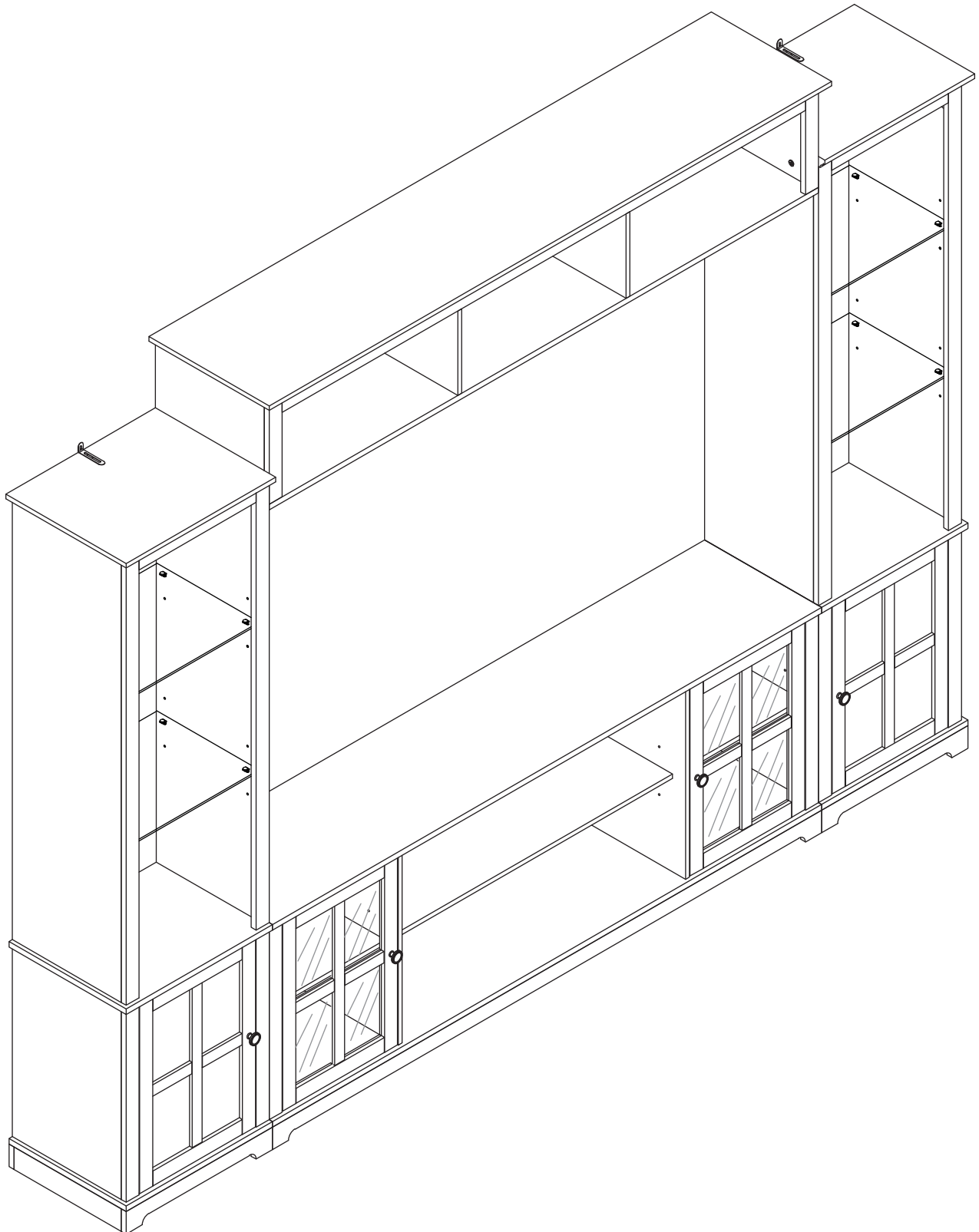
34



I PRODUCT ASSEMBLY

35

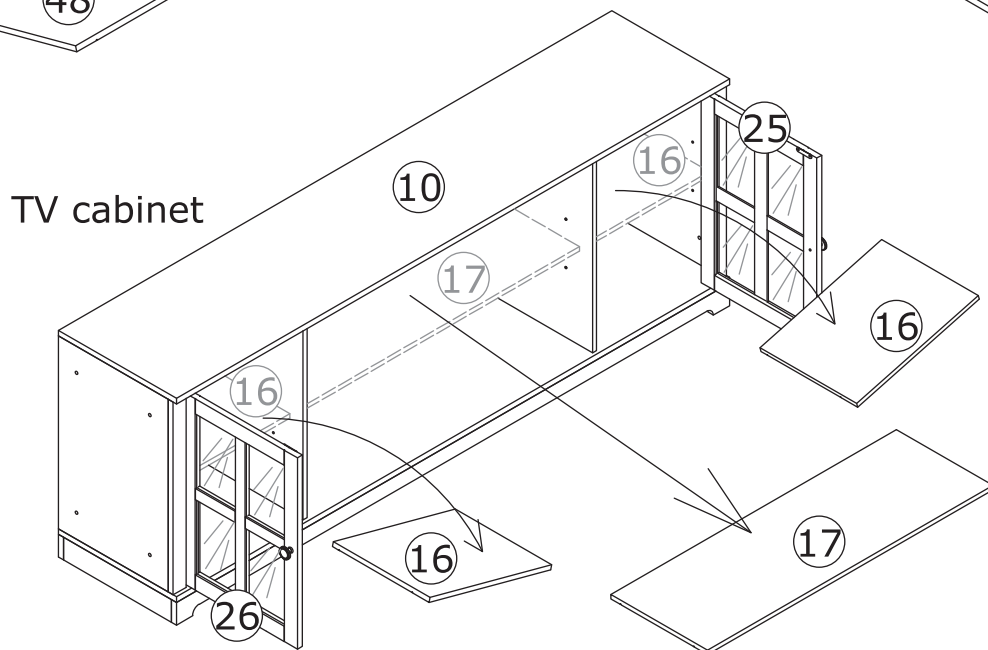
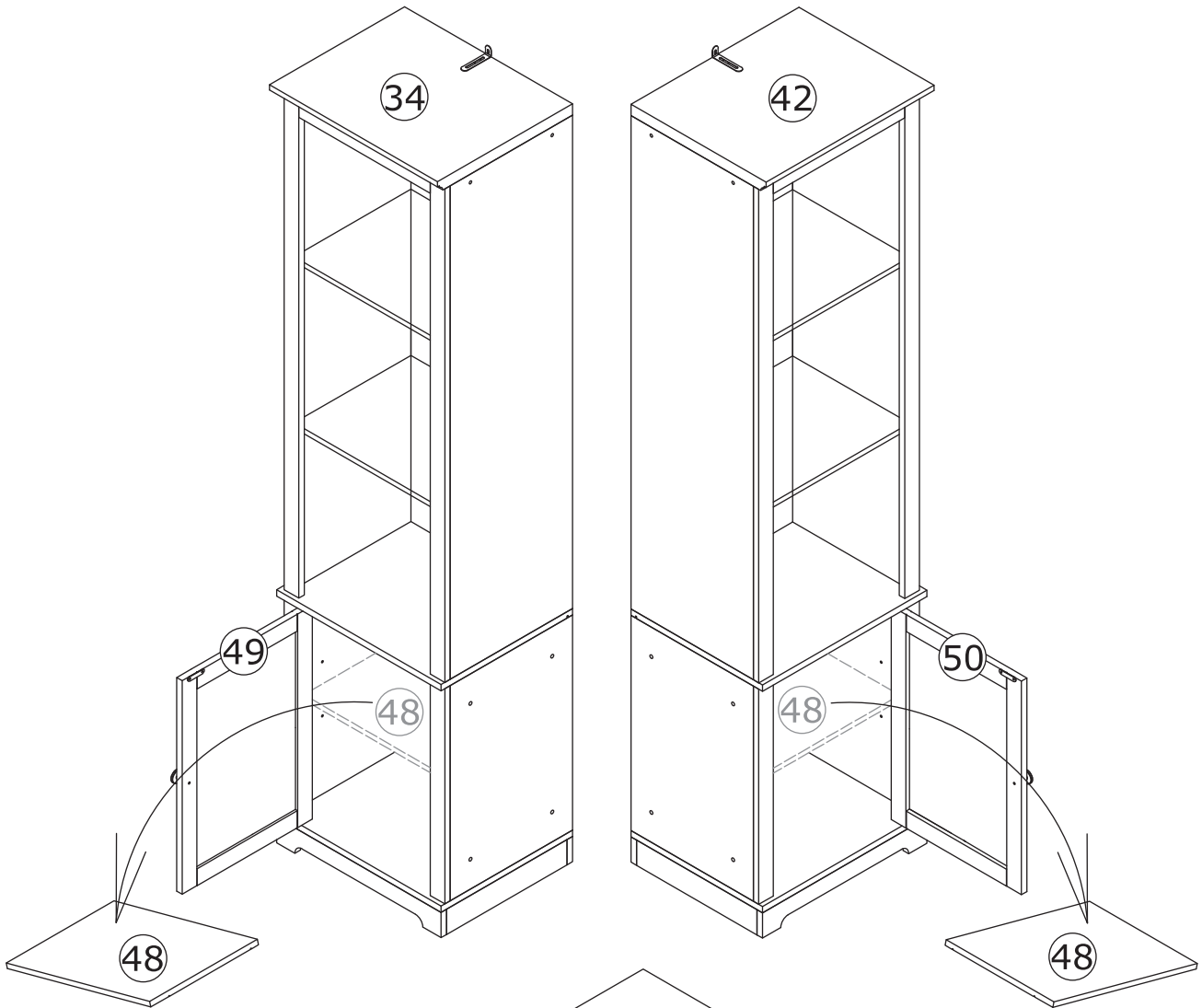
1. Before completing this modular TV cabinet, you need to complete other modular parts (divided into 4 pieces in total);
2. Assemble on the floor first, put together and then fix to the wall;



I PRODUCT ASSEMBLY

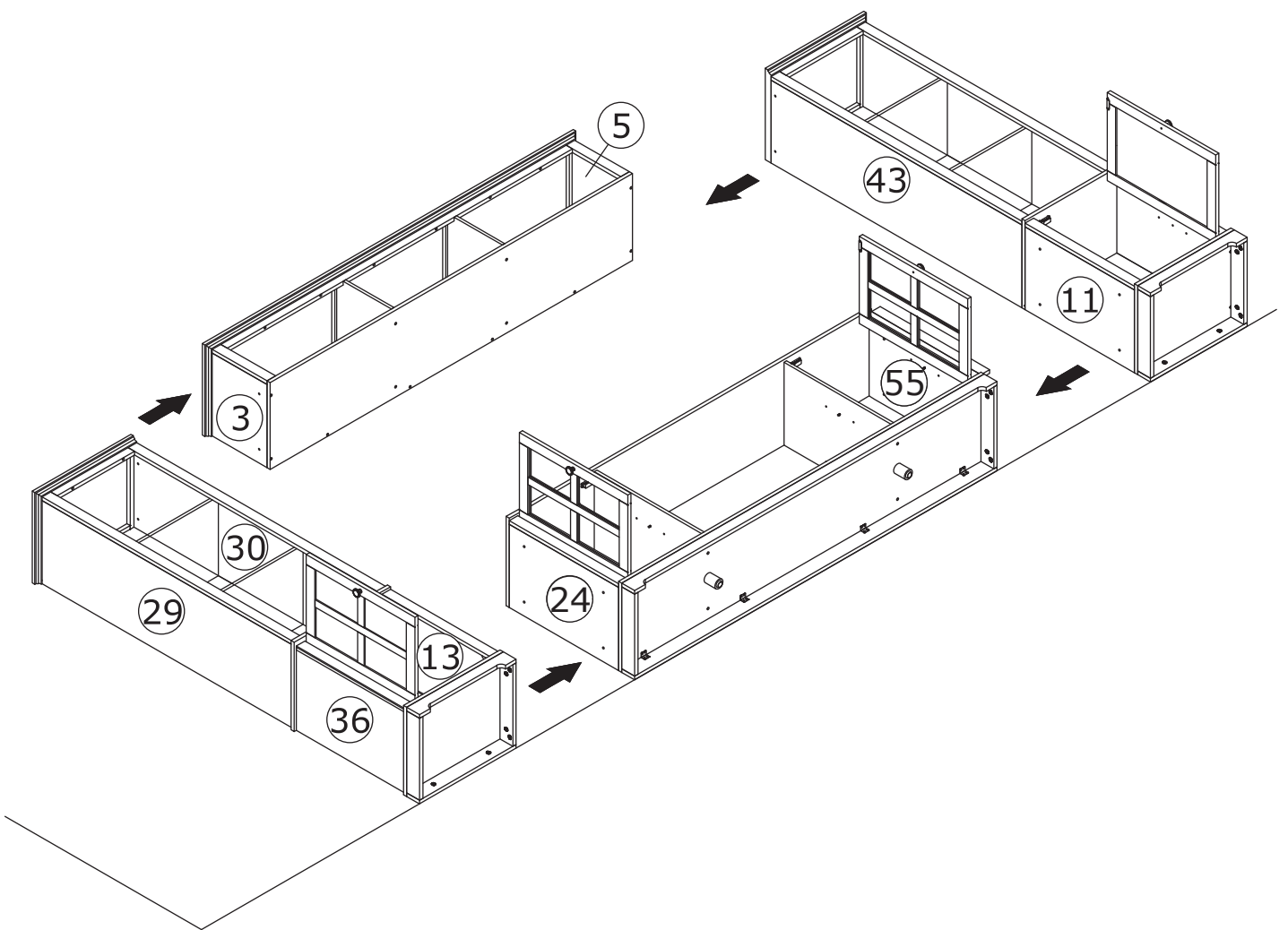
36

The accessory numbers marked on the bookshelf are all in the bookshelf packaging.



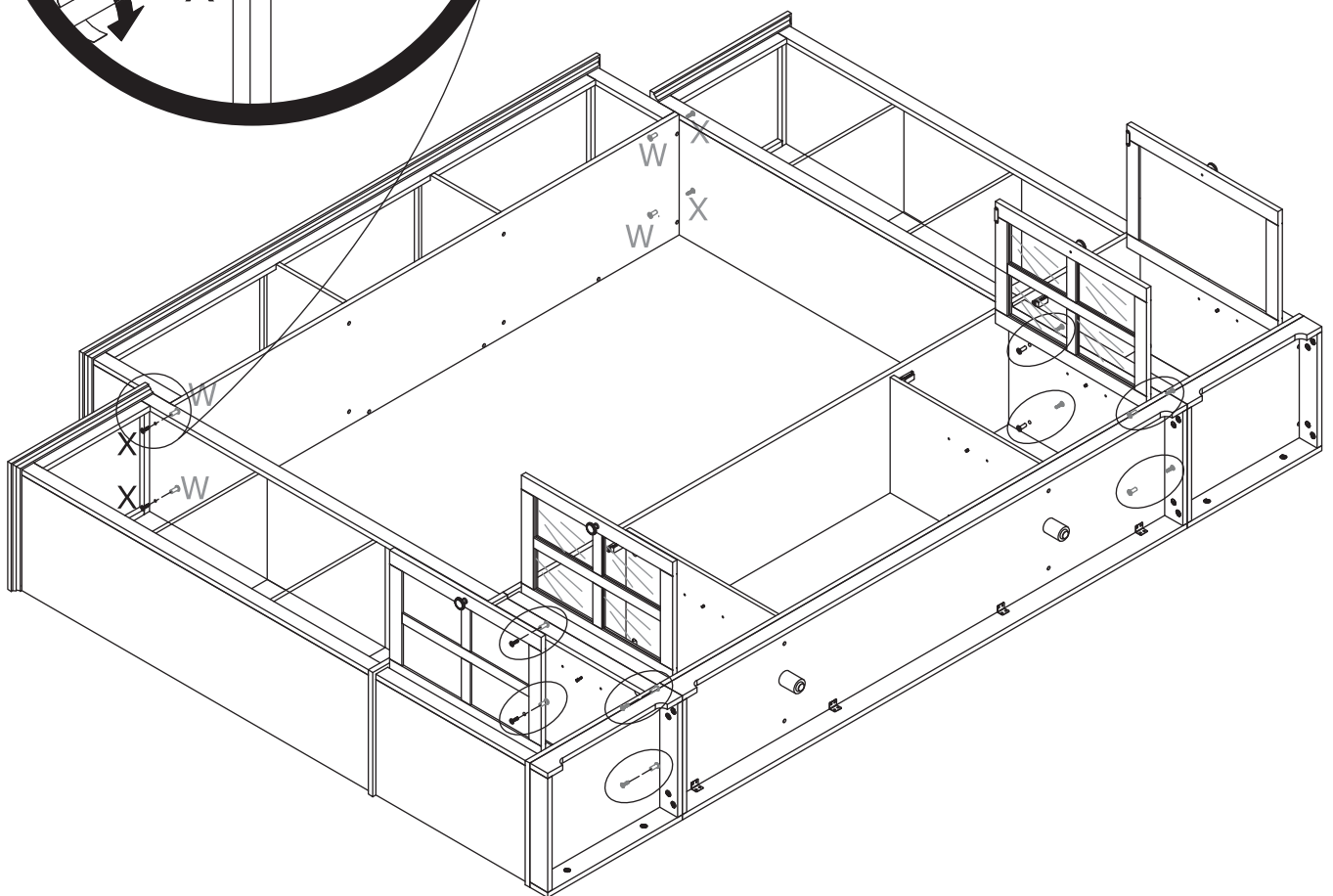
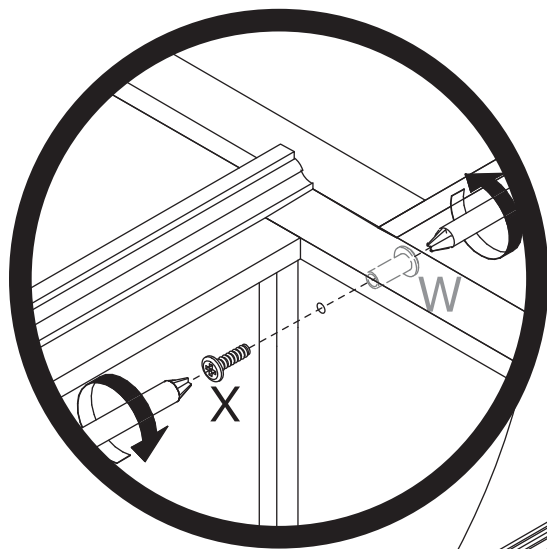
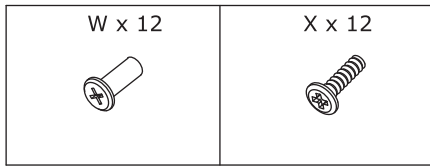
I PRODUCT ASSEMBLY

37



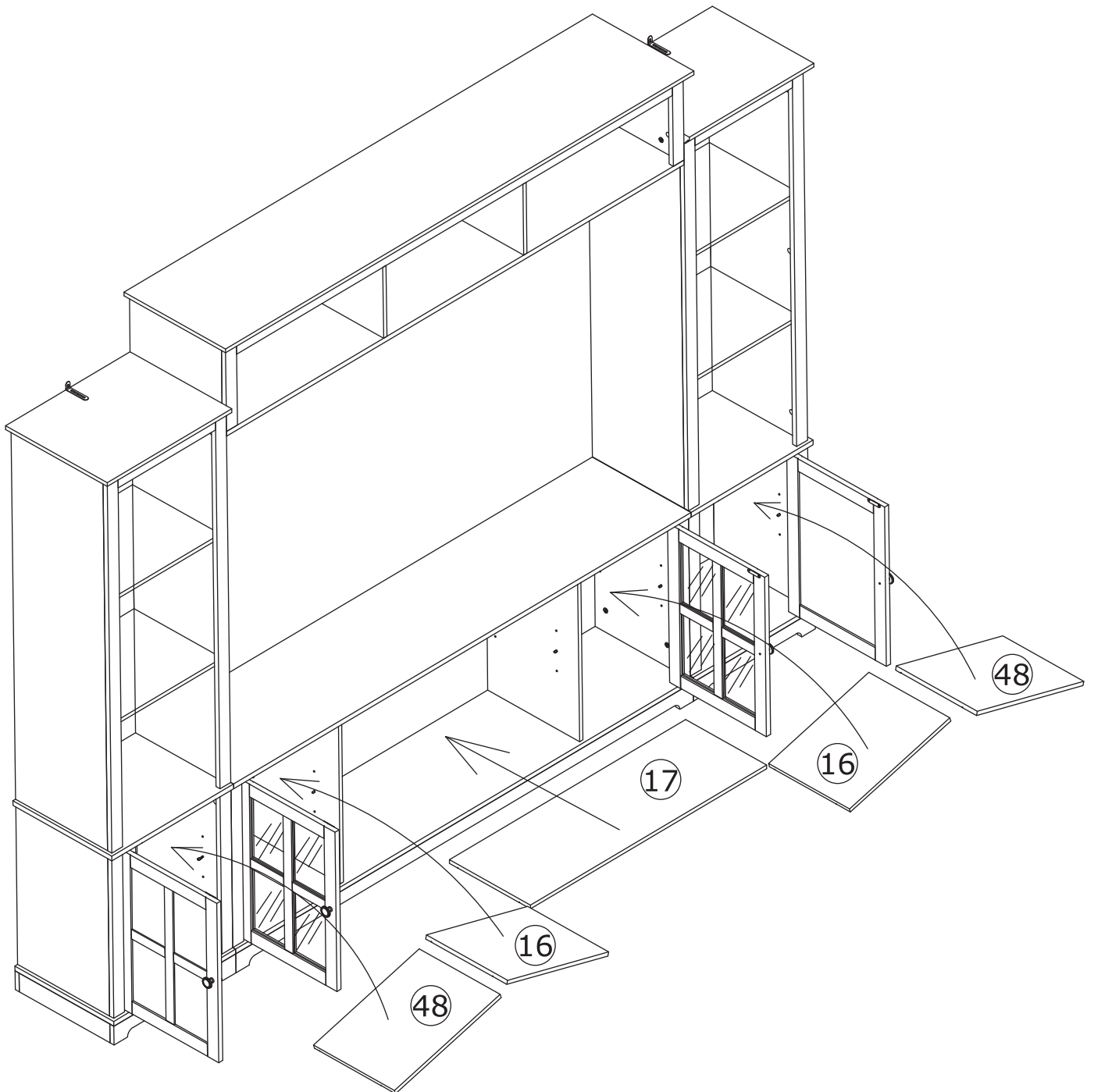
I PRODUCT ASSEMBLY

38



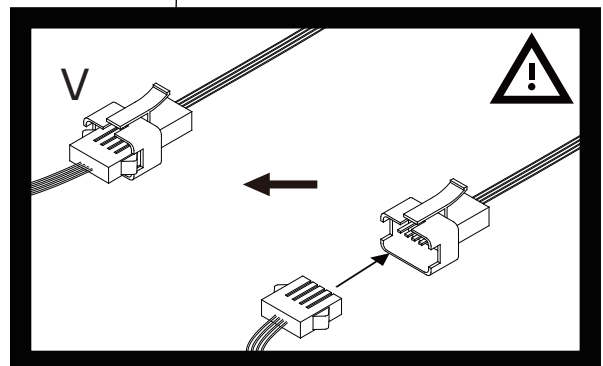
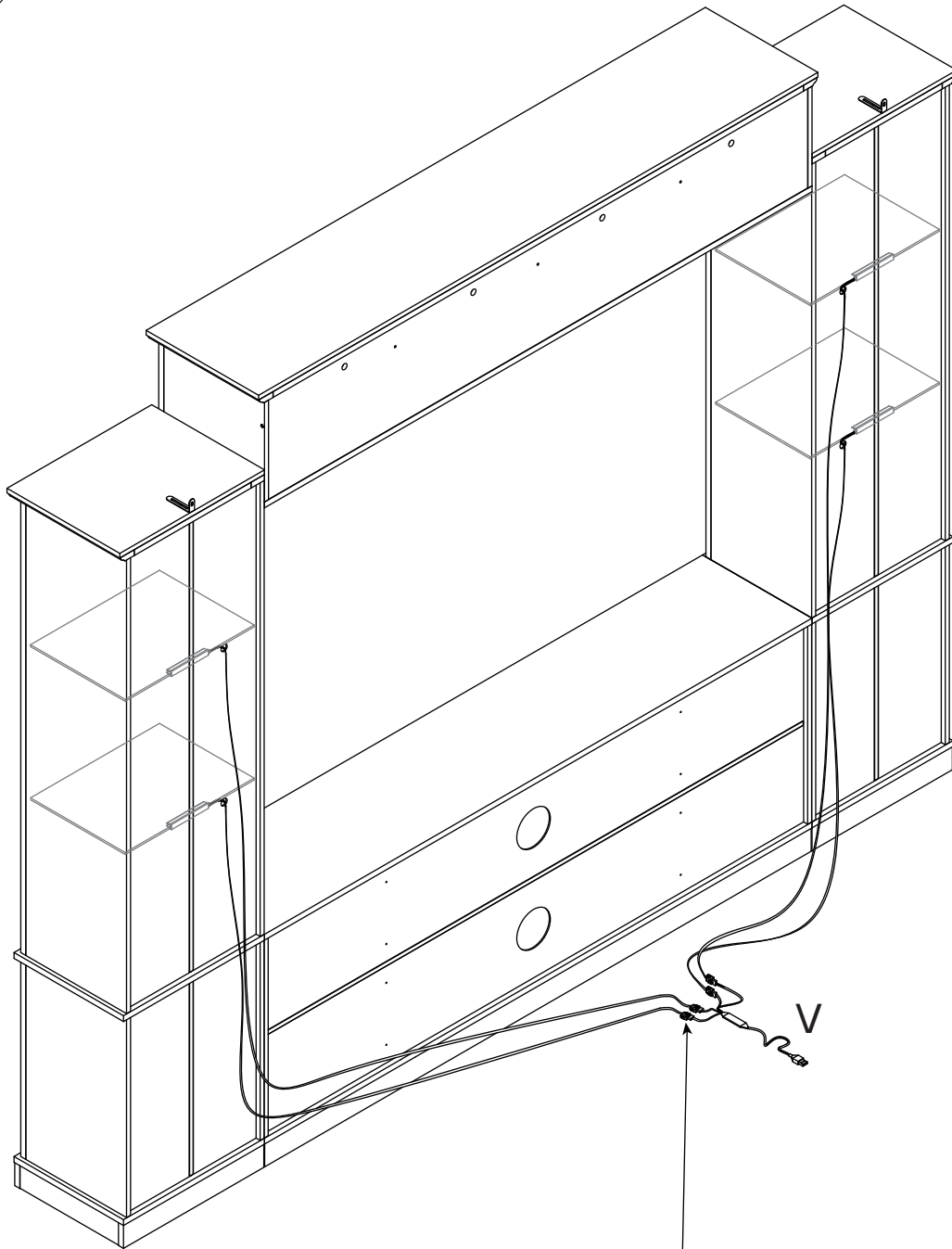
I PRODUCT ASSEMBLY

39



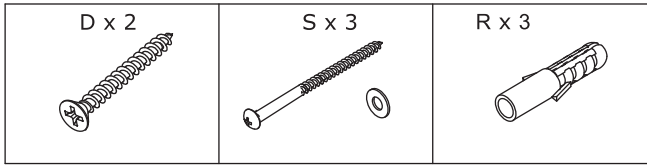
I PRODUCT ASSEMBLY

40



I PRODUCT ASSEMBLY

41



Part "O" is inside the bookshelf package

