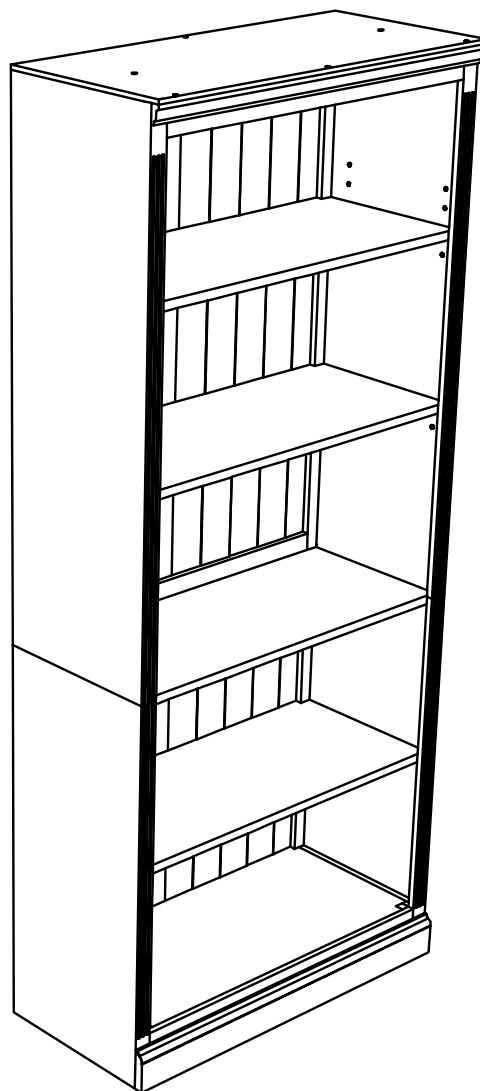


Assembly Instructions

Please keep for future reference



Important - Please read these instructions fully before starting assembly

Safety and Care Advice

Important – Please read these instructions fully before starting assembly

- Check you have all the components and tools listed on the following pages.
- Remove all fittings from the plastic bags and separate them into their groups.
- Keep children and animals away from the work area, small parts could choke if swallowed.
- Make sure you have enough space to layout the parts before starting.

- During assembly do not stand or put weight on the product, this could cause damage.
- Assemble the item as close to its final position (in the same room) as possible.
- Assemble on a soft level surface to avoid damaging the unit or your floor.
- Parts of the assembly will be easier with 2 people.



- To reduce the likelihood of damaging your product please ensure that your power drill is set on a low torque setting.

Care and maintenance

- Only clean using a damp cloth and mild detergent, do not use bleach or abrasive cleaners.
- From time to time check that there are no loose screws on this unit.
- This product should not be discarded with household waste. Take to your local authority waste disposal centre.

Handy Hints

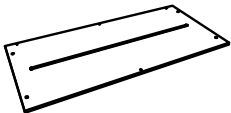
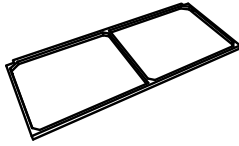


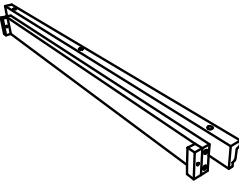
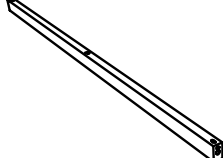
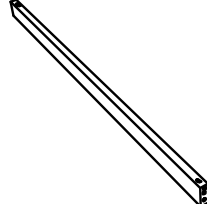
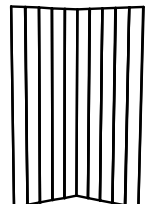
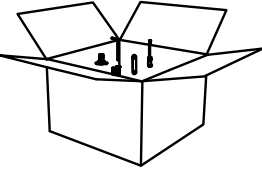
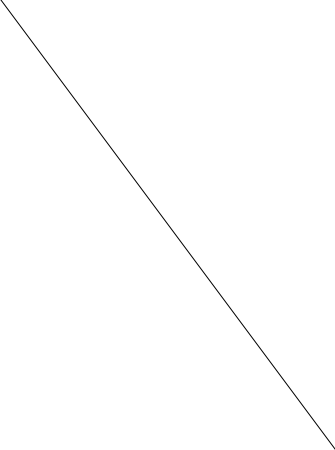
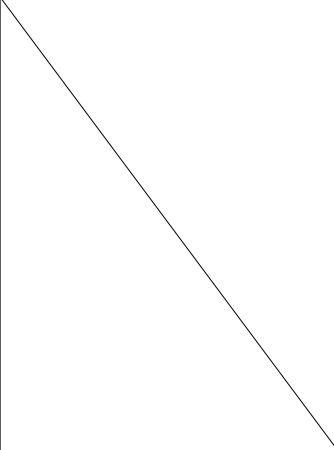
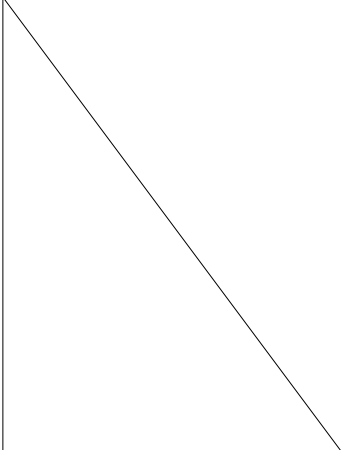
- Assemble all parts and bolts loosely during assembly, only once the product is complete should you fully tighten the bolts
- Regularly check and ensure that all bolts and fittings are tightened properly.

WARNING
In order to help prevent overturning – please follow these instructions

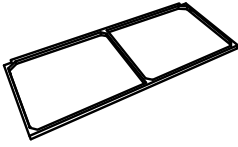
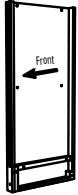
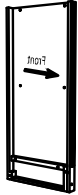
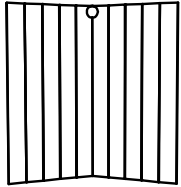
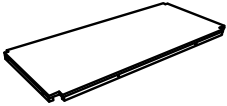
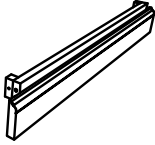
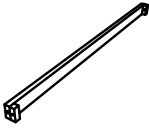
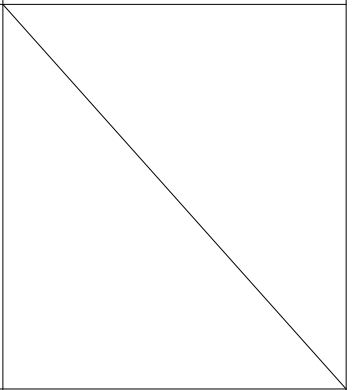
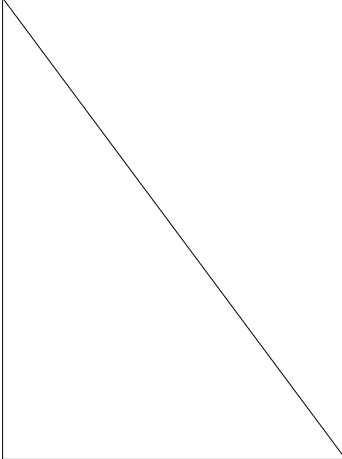
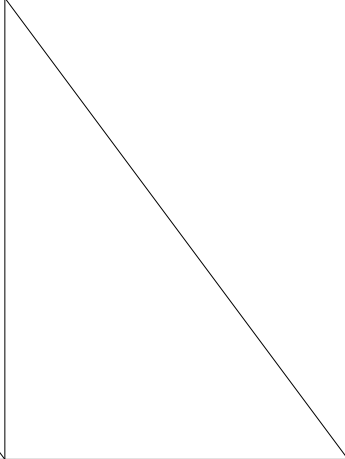
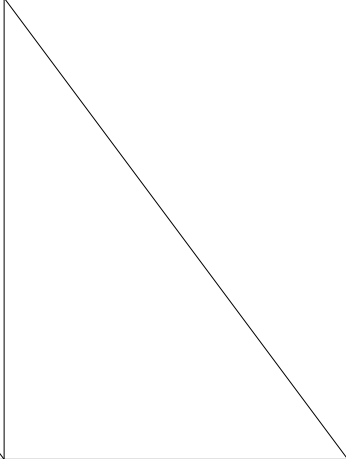
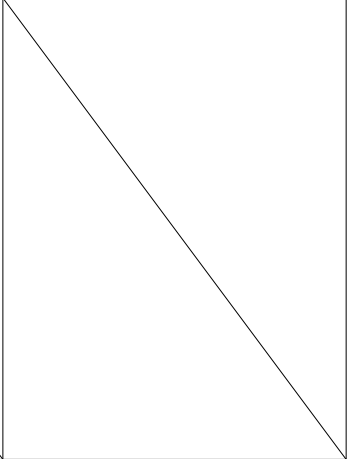
To help prevent product toppling over please follow the below steps:-

- Use the anti tip stop or wall fixing method provided (if applicable)
- Do not allow children to climb or hang on the furniture
- Do not open more than one drawer at a time
- Do not place heavy items in the top drawers
- Do not place heavy items on top of the furniture, unless the furniture has been designed for this purpose


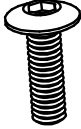
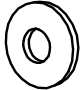
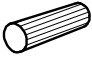


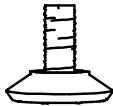
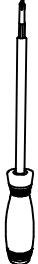



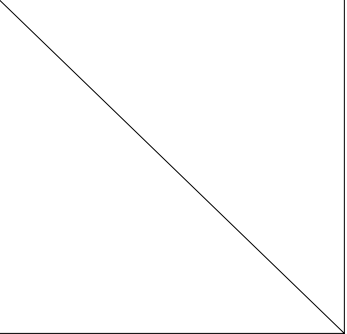
Part List

<p>(A)</p> 	<p>(B)</p> 	<p>(C_L)</p> 	<p>(C_R)</p> 
<p>Quantity: 1 pc</p>	<p>Quantity: 2 pcs</p>	<p>Quantity: 1 pc</p>	<p>Quantity: 1 pc</p>
<p>(D)</p> 	<p>(E)</p> 	<p>(F)</p> 	<p>(G)</p> 
<p>Quantity: 1 pc</p>	<p>Quantity: 1 pc</p>	<p>Quantity: 1 pc</p>	<p>Quantity: 1 pc</p>
			
<p>HARDWARE</p>			

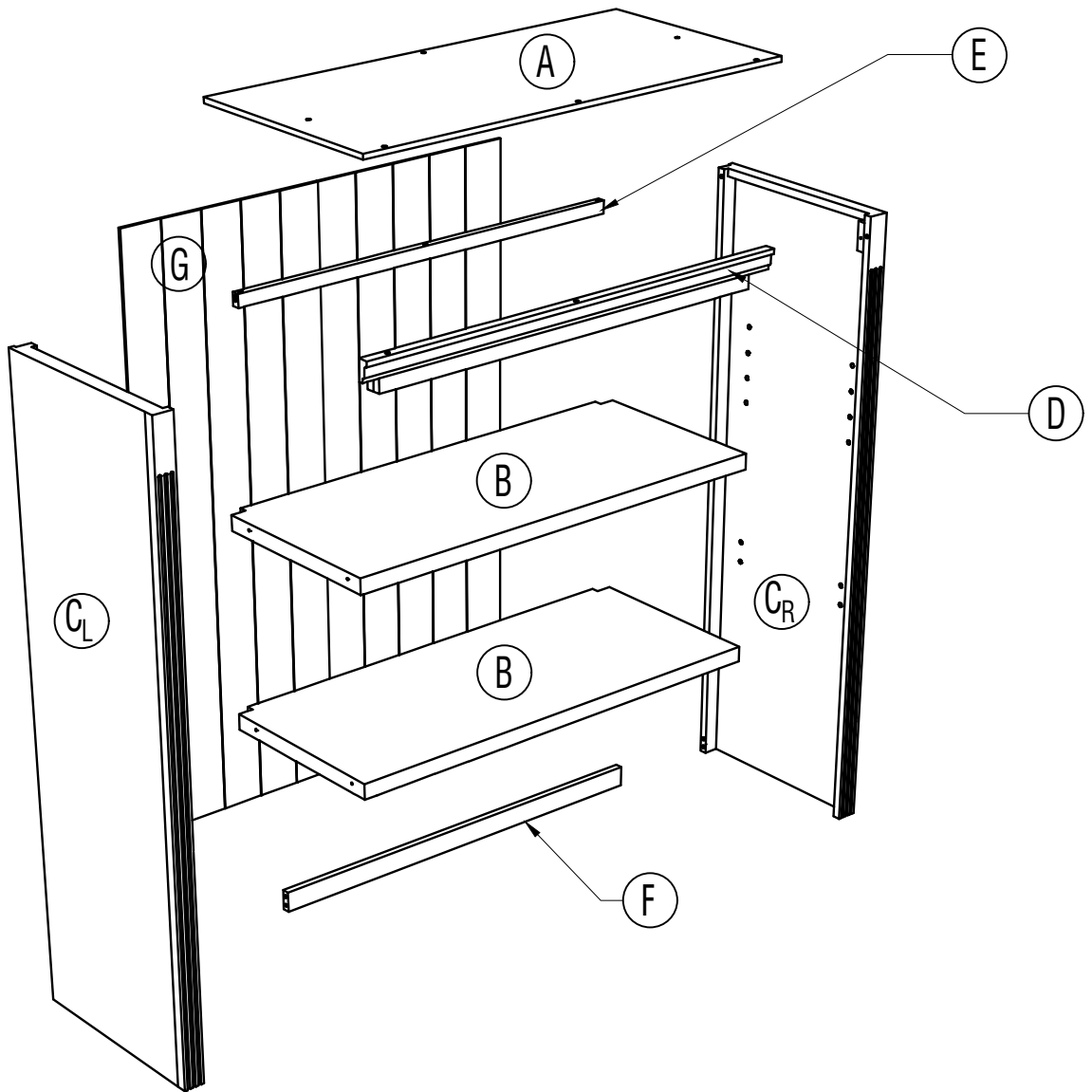
Part List

ⓑ	ⓗ _L	ⓗ _R	ⓓ
			
<p>Quantity: 2 pcs</p>	<p>Quantity: 1 pc</p>	<p>Quantity: 1 pc</p>	<p>Quantity: 1 pc</p>
ⓐ	Ⓚ	Ⓛ	
			
<p>Quantity: 1 pc</p>	<p>Quantity: 1 pc</p>	<p>Quantity: 1 pc</p>	
			

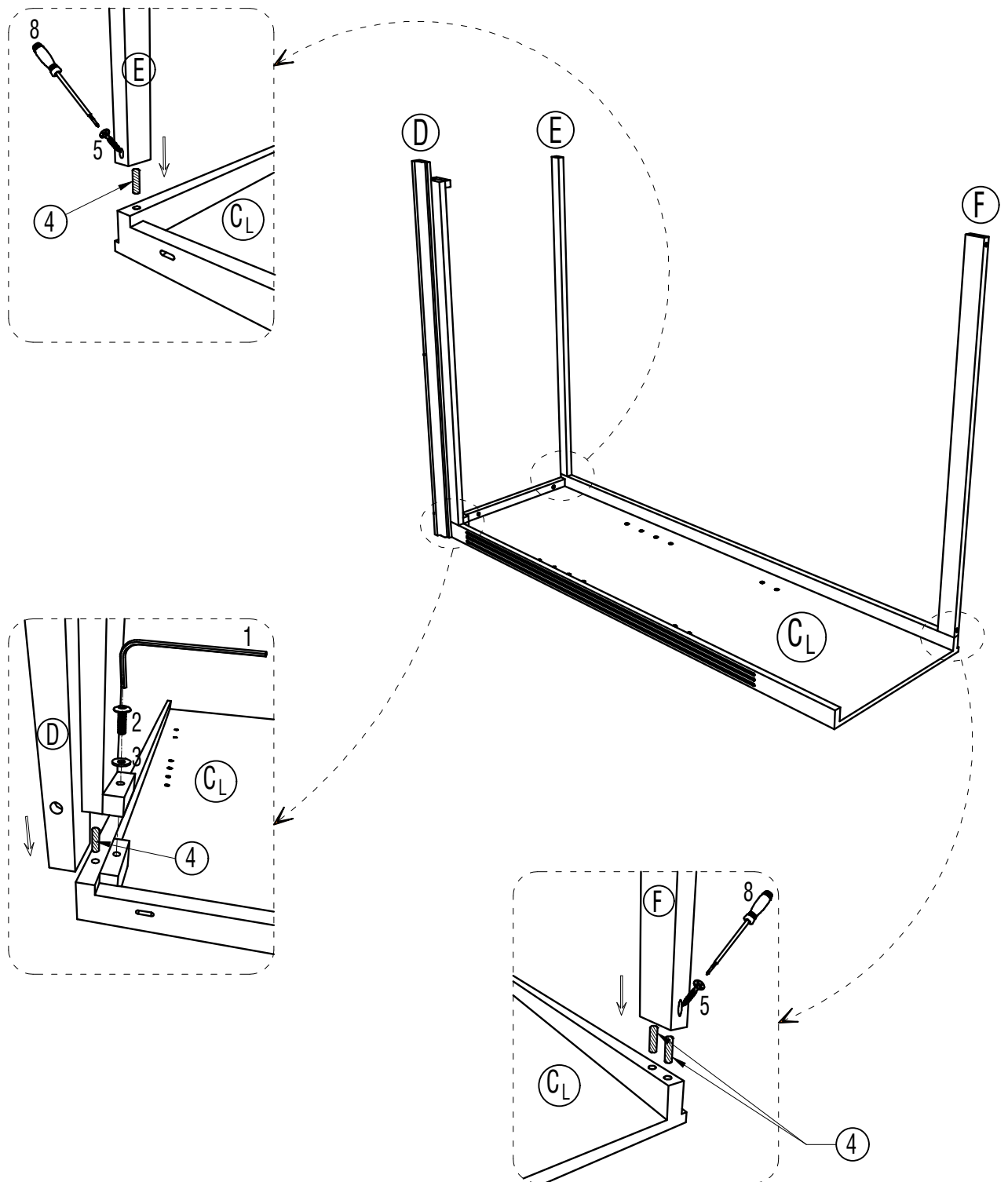
Hardware List




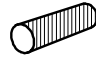


①	②	③	④
			
<p>Allen key Quantity: 1 pc</p>	<p>6x30mm Quantity: 38 pcs</p>	<p>6x16mm Quantity: 30 pcs</p>	<p>8x30mm Quantity: 14 pcs</p>
⑤	⑥	⑦	⑧
			
<p>4x30mm Quantity: 4 pcs</p>	<p>3x15mm Quantity: 46 pcs</p>	<p>15x20mm Quantity: 4 pcs</p>	<p>Screwdrivers Quantity: 1 pc</p>
⑨	⑩	⑪	
			
<p>20x80mm Quantity: 2 pcs</p>	<p>4x20mm Quantity: 4 pcs</p>	<p>LED Light strip Quantity: 1 pc</p>	

Components - Key Diagram

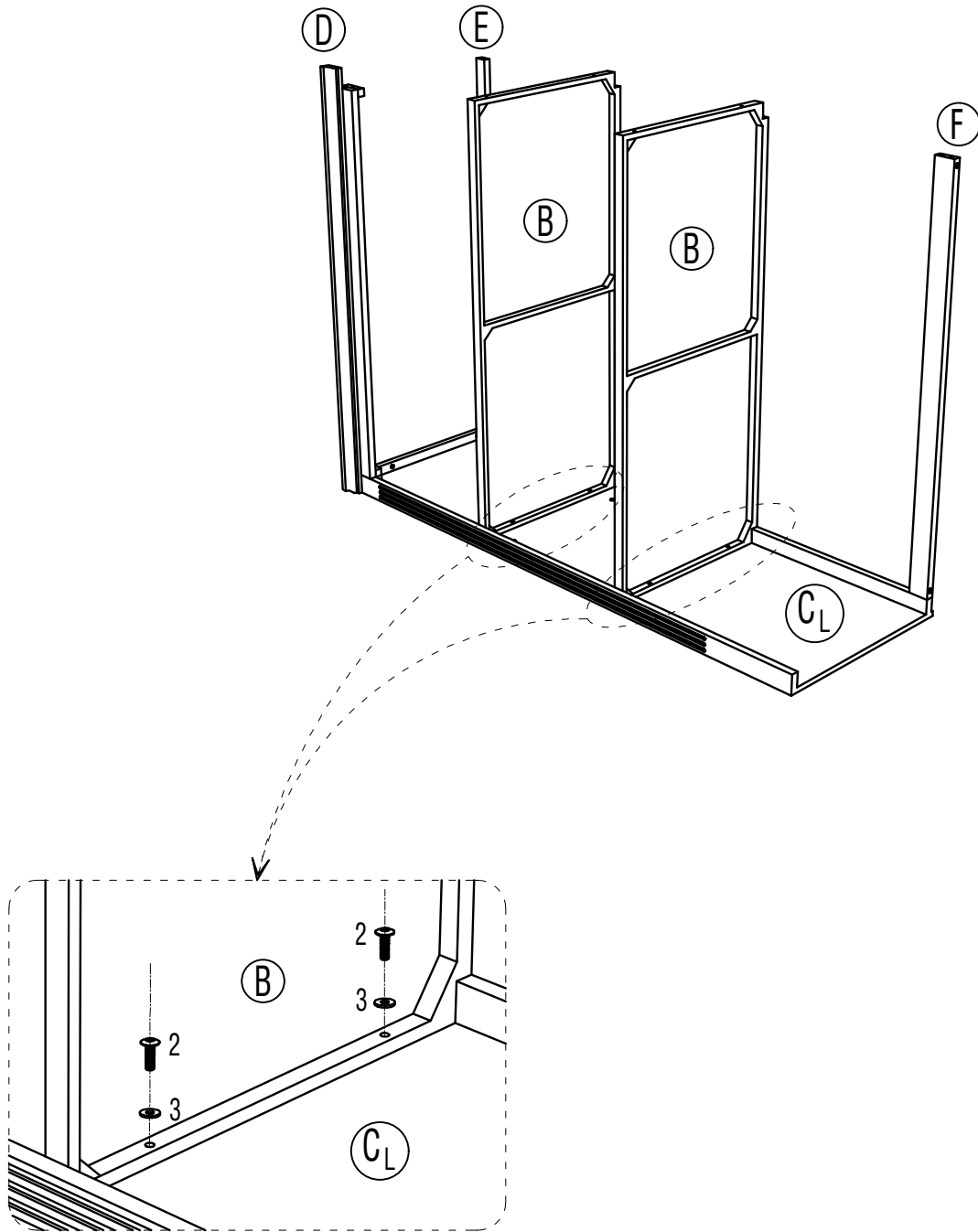


STEP 1



<p>①</p> 	<p>②</p>  <p>6x30mm 1 pc</p>	<p>③</p>  <p>6x16mm 1 pc</p>	<p>④</p>  <p>8x30mm 4 pcs</p>	<p>⑤</p>  <p>4x30mm 2 pcs</p>	<p>⑧</p> 
---	---	---	--	--	--

STEP 2



①



②



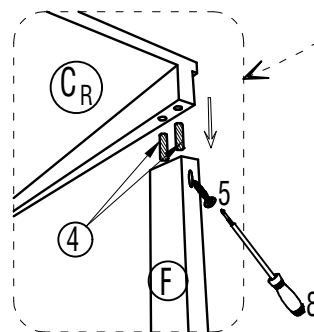
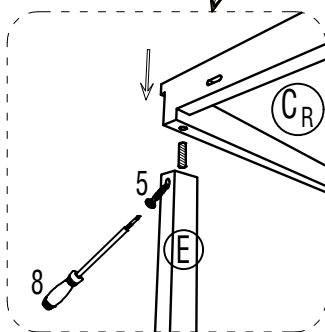
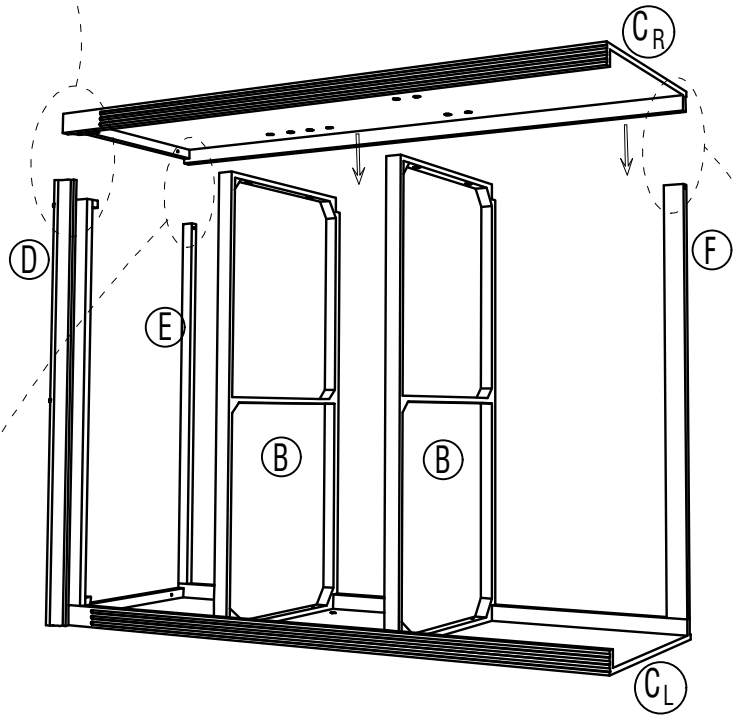
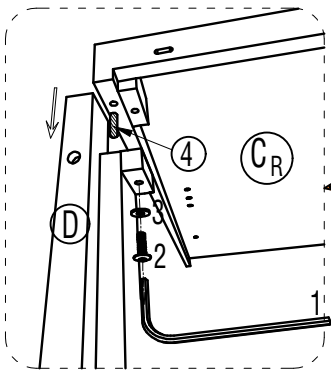
6x30mm
4 pcs




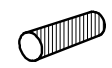


③



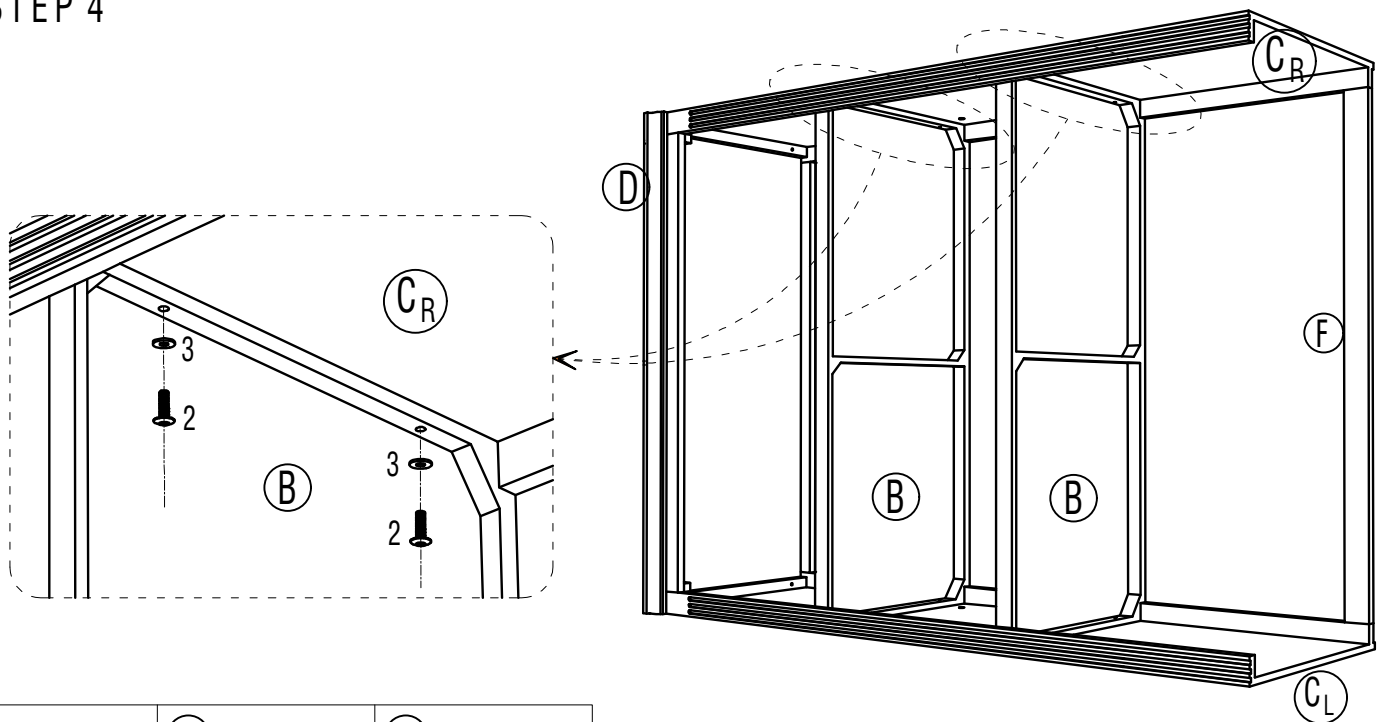
6x46mm
4 pcs




STEP 3



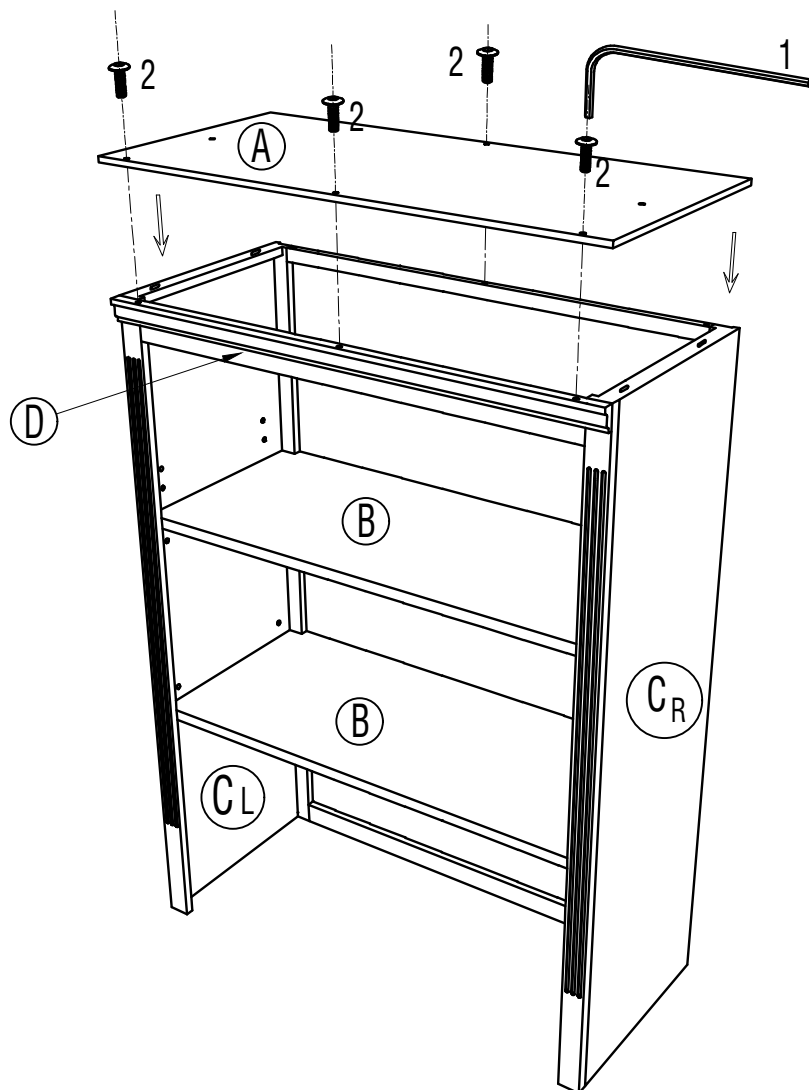
<p>①</p> 	<p>②</p>  <p>6x30mm 1 pc</p>	<p>③</p>  <p>6x16mm 1 pc</p>	<p>④</p>  <p>8x30mm 4 pcs</p>	<p>⑤</p>  <p>4x30mm 2 pcs</p>	<p>⑧</p> 
--	---	---	--	--	--



STEP 4



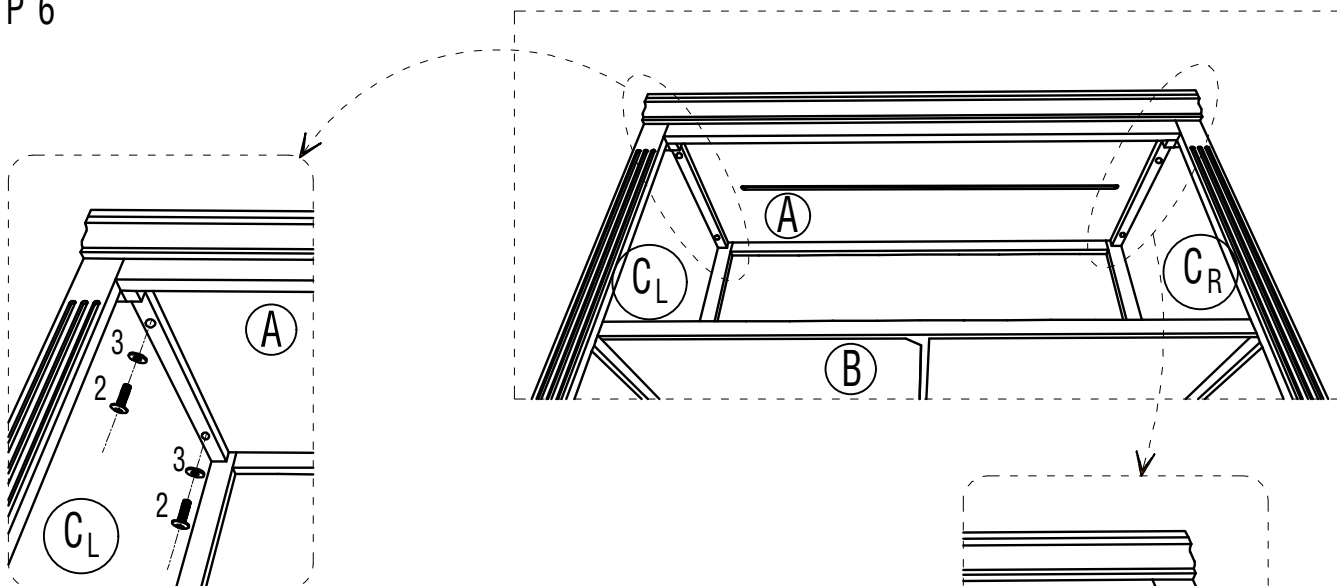
<p>①</p> 	<p>②</p>  <p>6x30mm 4 pcs</p>	<p>③</p>  <p>6x46mm 4 pcs</p>
---	--	--




STEP 5

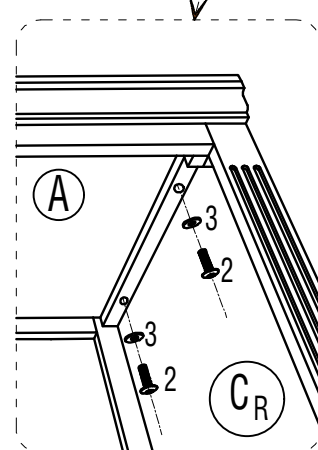


<p>①</p> 	<p>②</p>  <p>6x30mm 4 pcs</p>
---	--

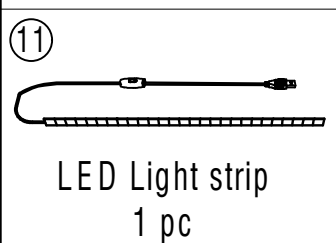
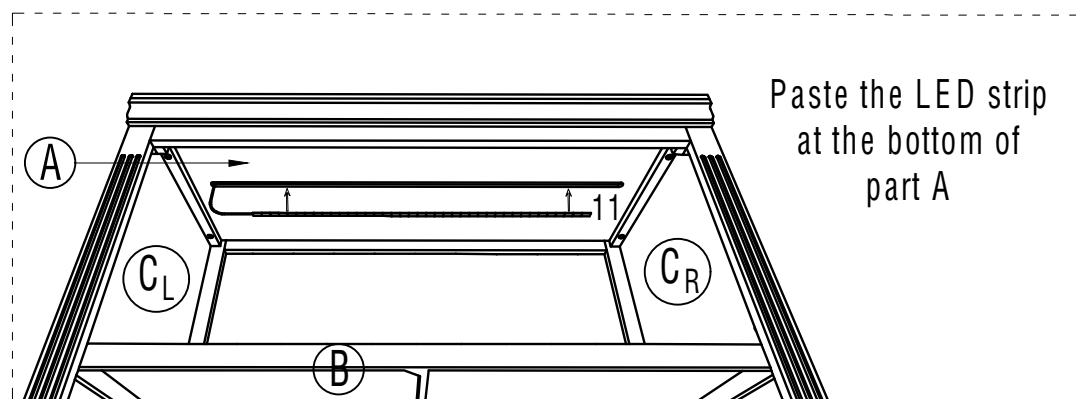
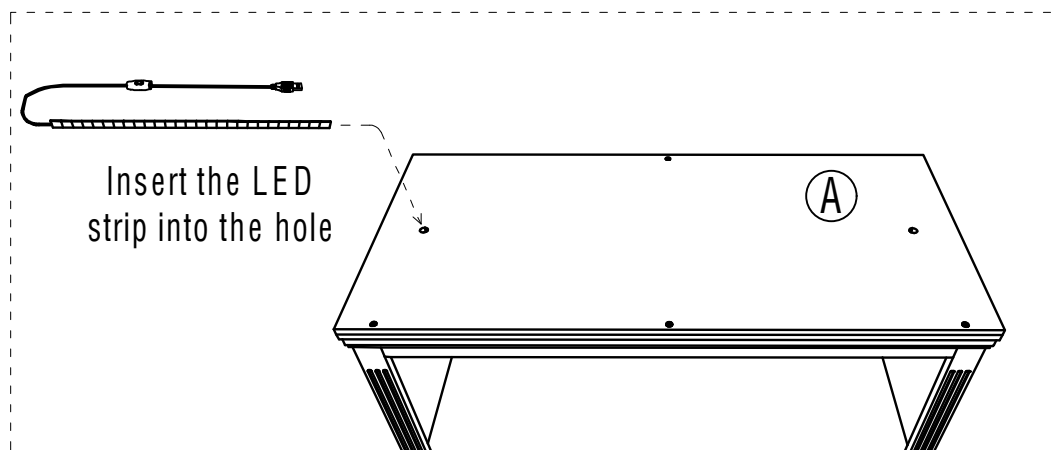
STEP 6



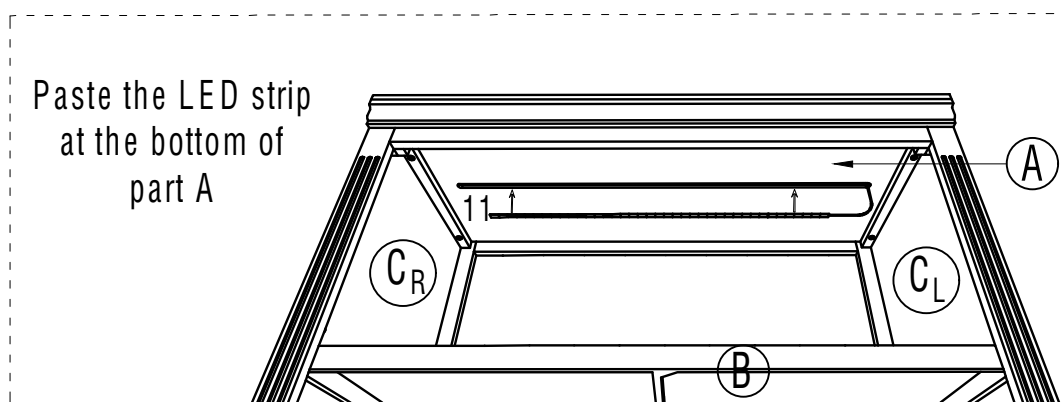
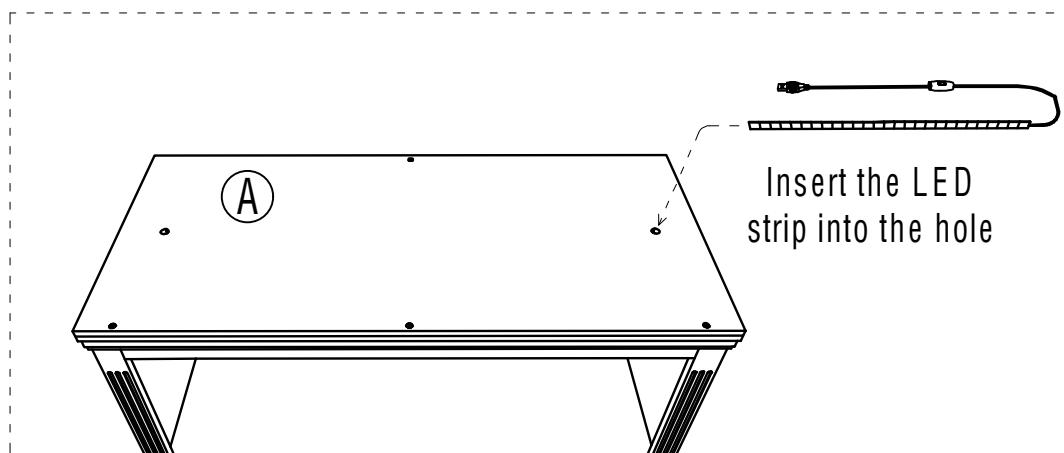
<p>①</p> 	<p>②</p>  <p>6x30mm 4 pcs</p>	<p>③</p>  <p>6x16mm 4 pcs</p>
---	--	--



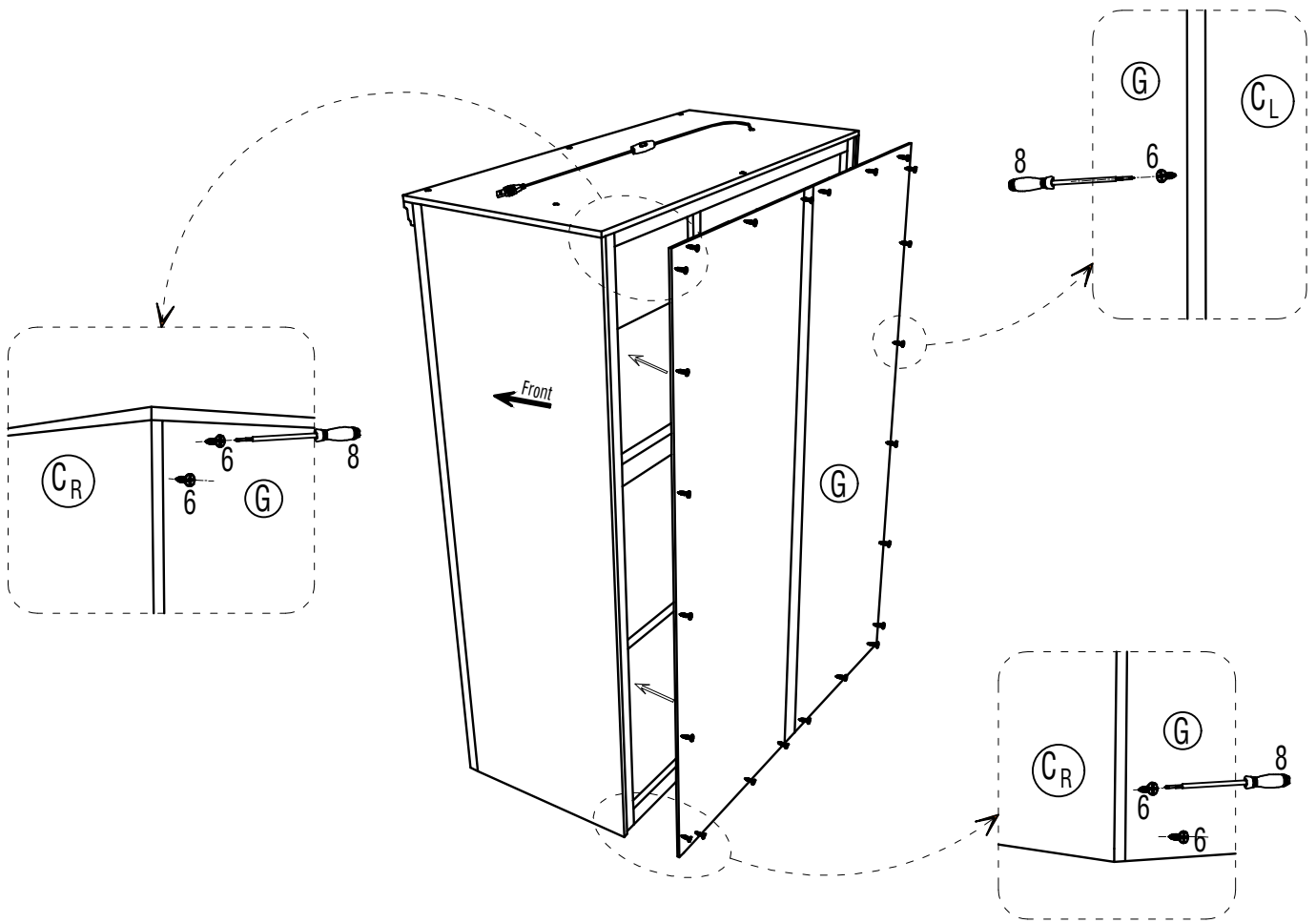
STEP 7



OTHER WAYS TO INSTALL LED STRIP



STEP 8



6

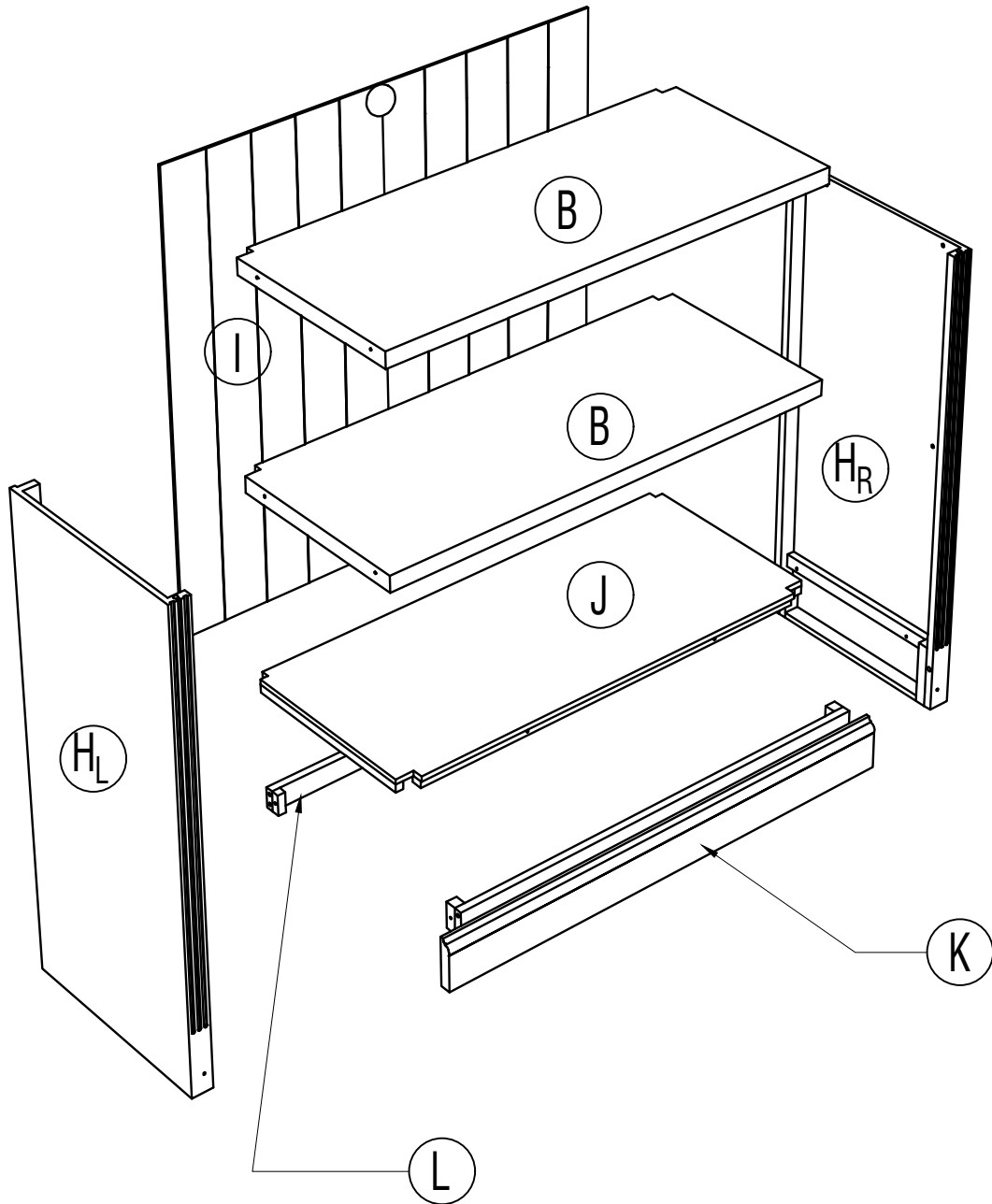


3x15mm
24 pcs

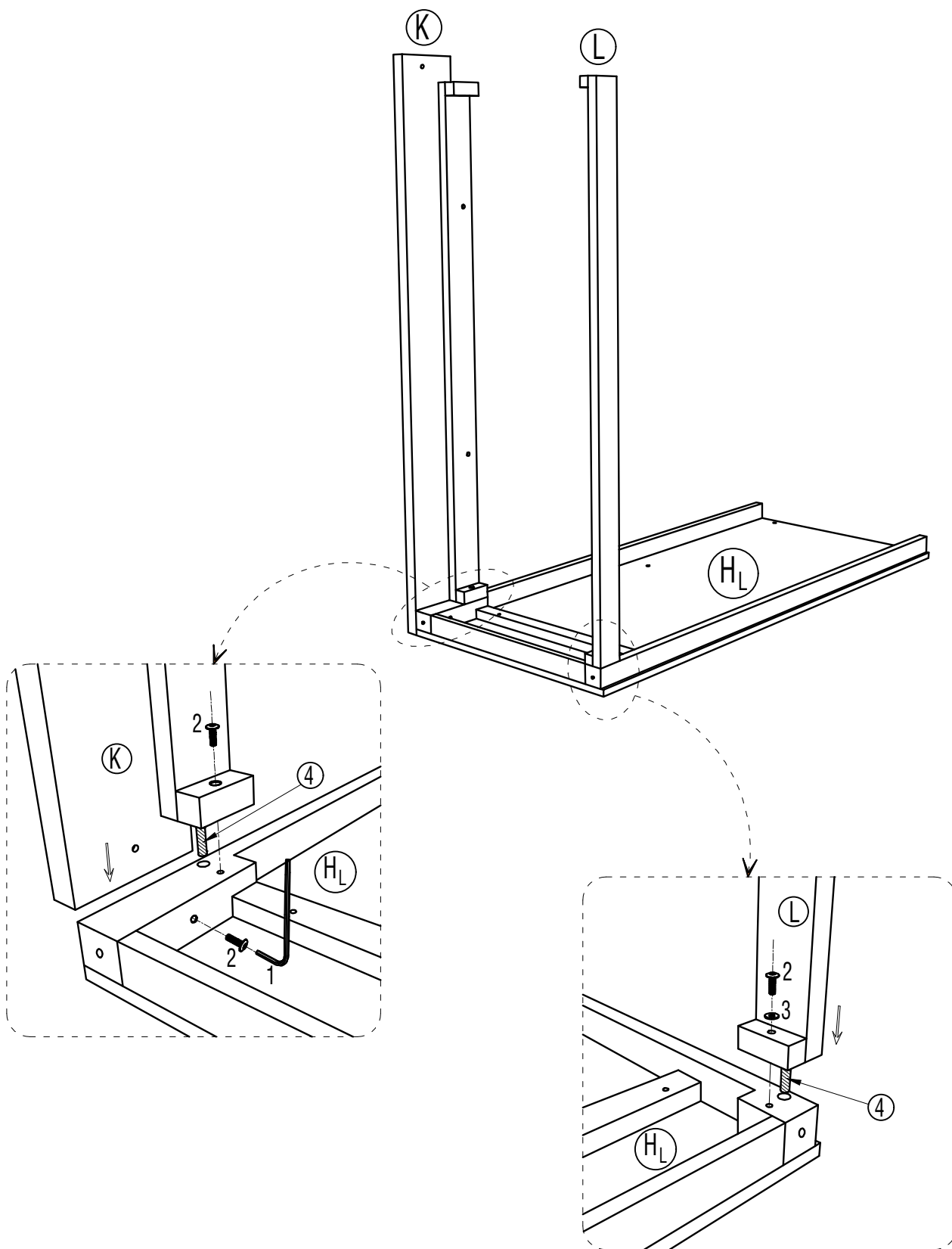
8



Components - Key Diagram



STEP 9



①



②



6x30mm
3 pcs

③



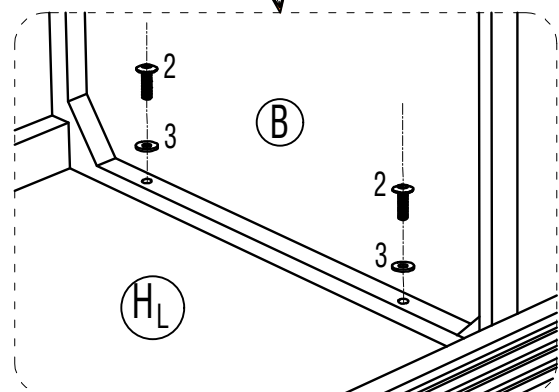
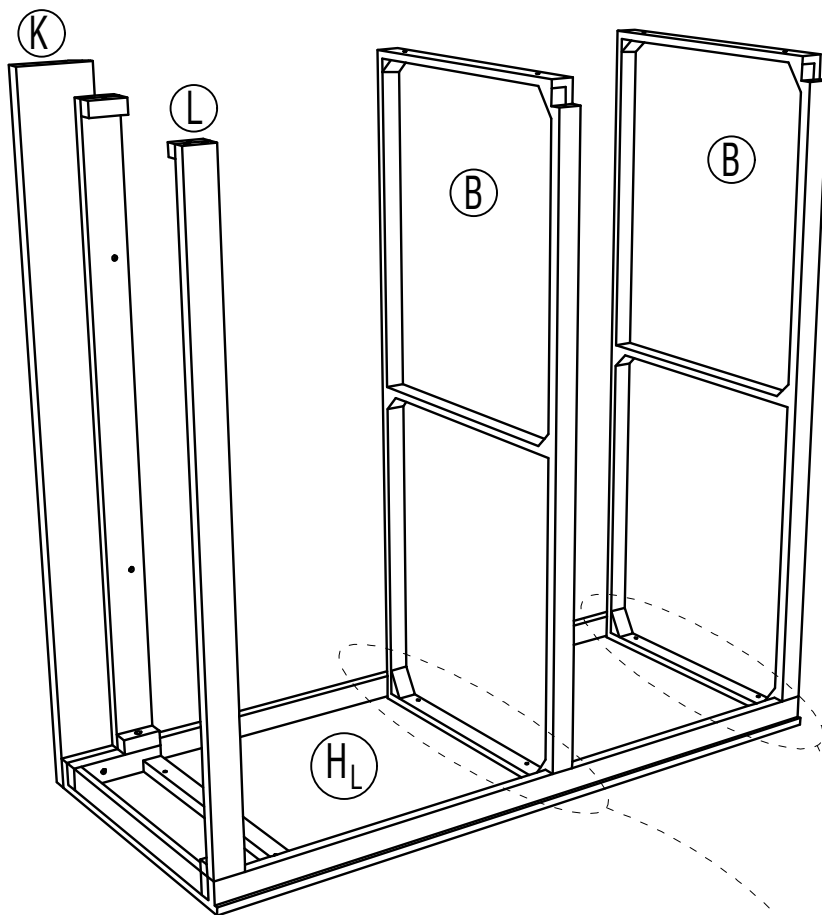
6x16mm
1 pc

④



8x30mm
2 pcs

STEP 10



①



②



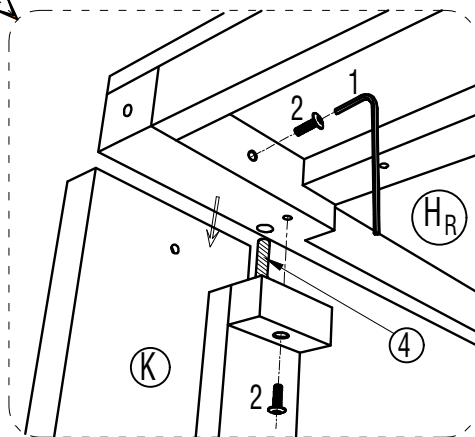
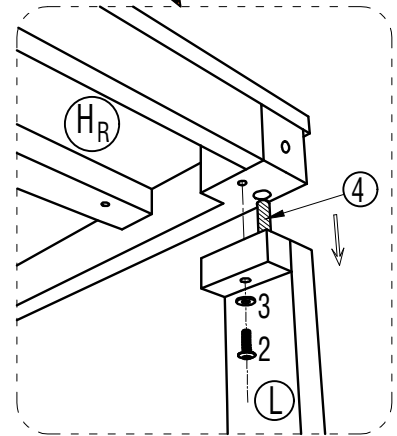
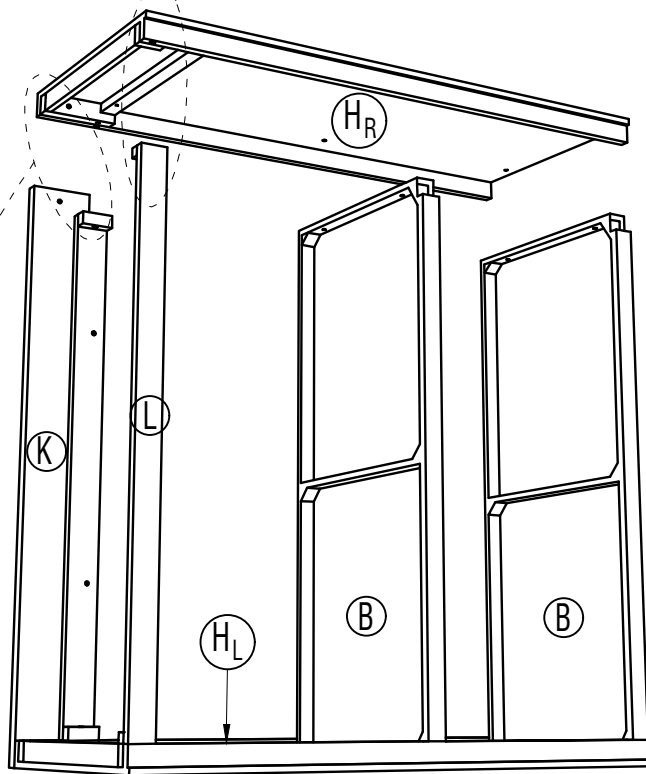
6x30mm
4 pcs

③



6x16mm
4 pcs

STEP 11



①



②



6x30mm
3 pcs

③



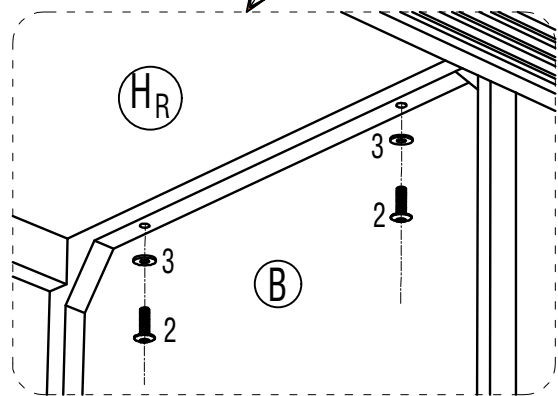
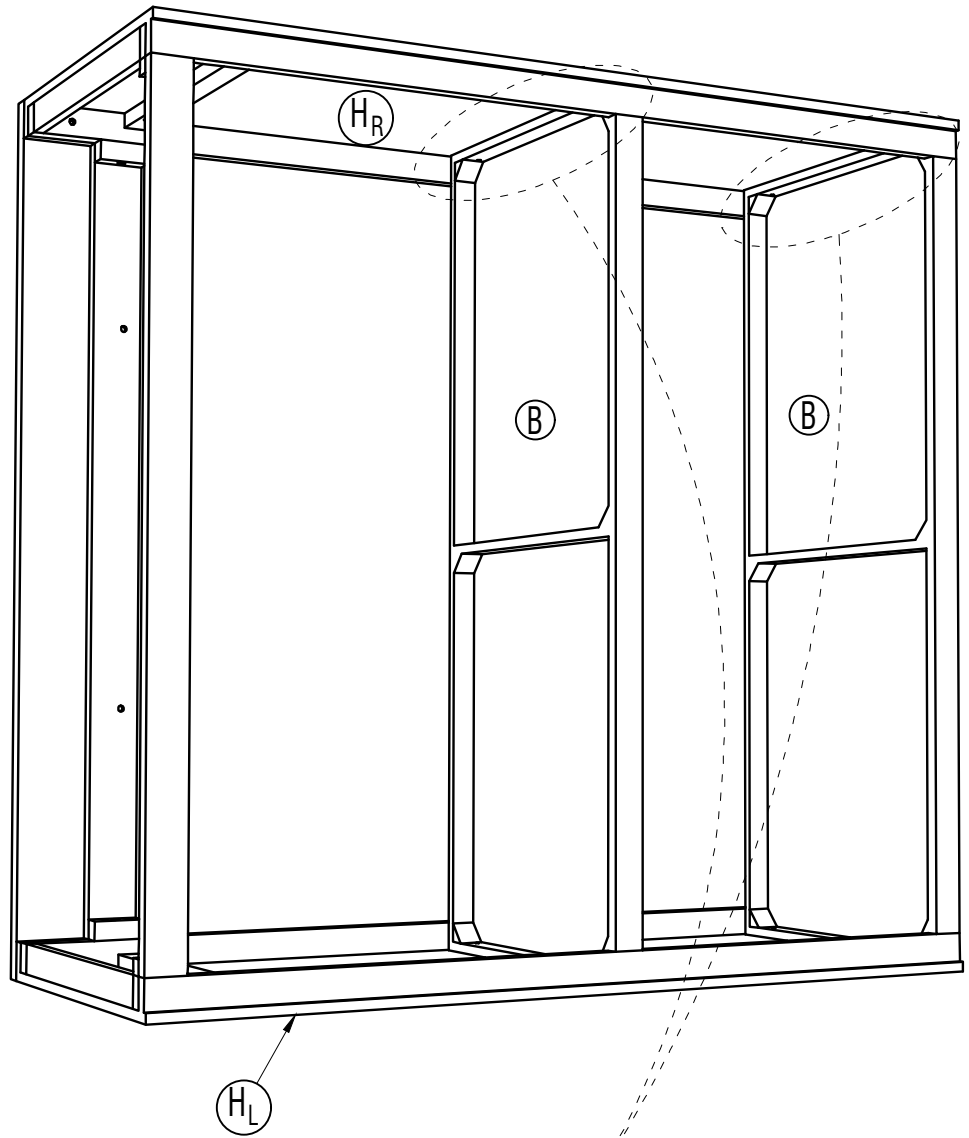
6x16mm
1 pc




④



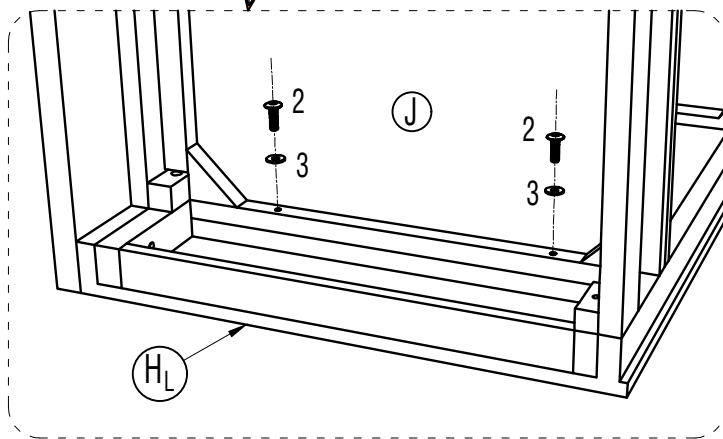
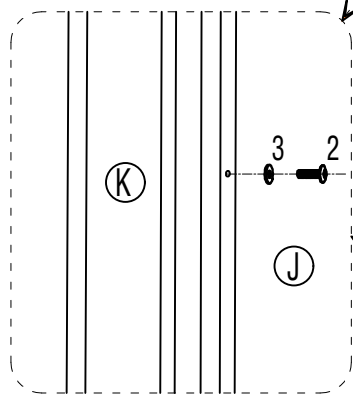
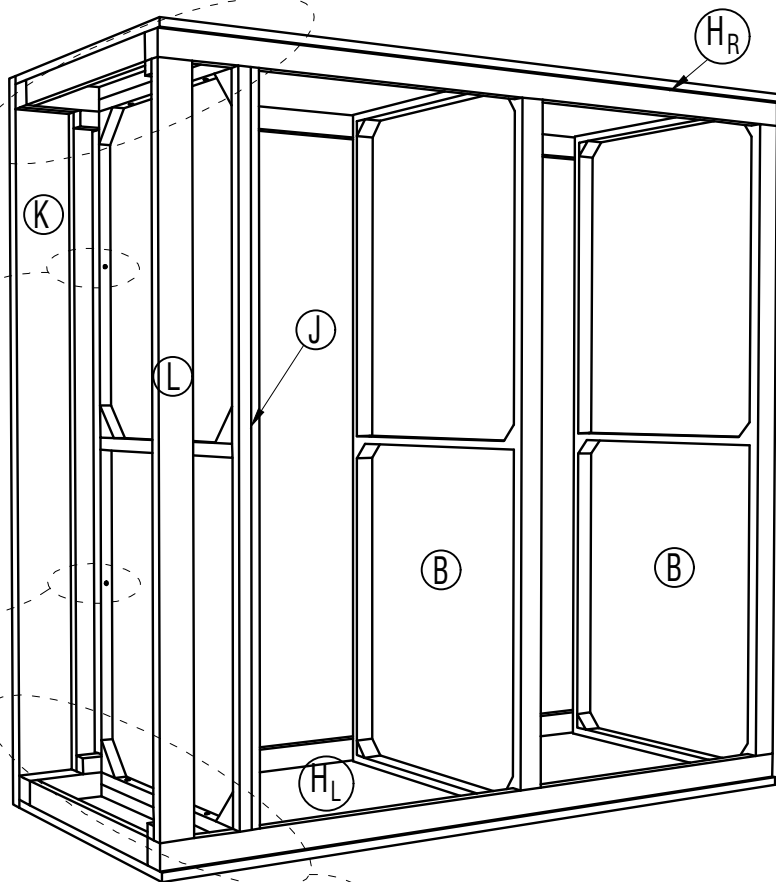
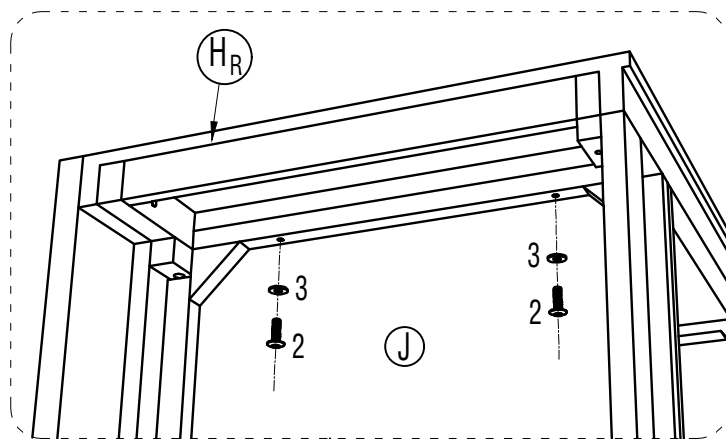
8x30mm
2 pcs




STEP 12



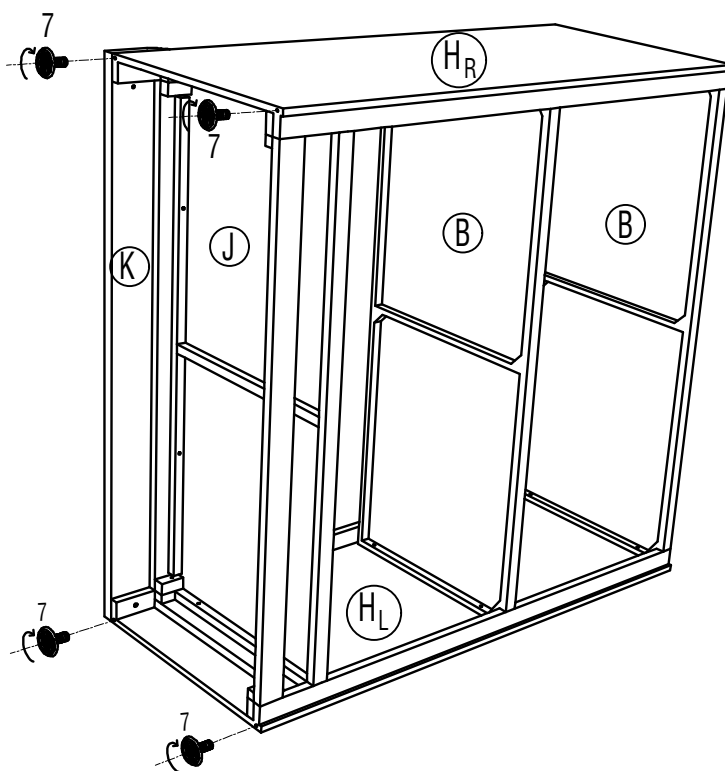
<p>①</p> 	<p>②</p>  <p>6x30mm 4 pcs</p>	<p>③</p>  <p>6x16mm 4 pcs</p>
---	--	--

STEP 13

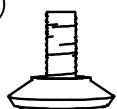


<p>①</p> 	<p>②</p>  <p>6x30mm 6 pcs</p>	<p>③</p>  <p>6x16mm 6 pcs</p>
---	--	--

STEP 14

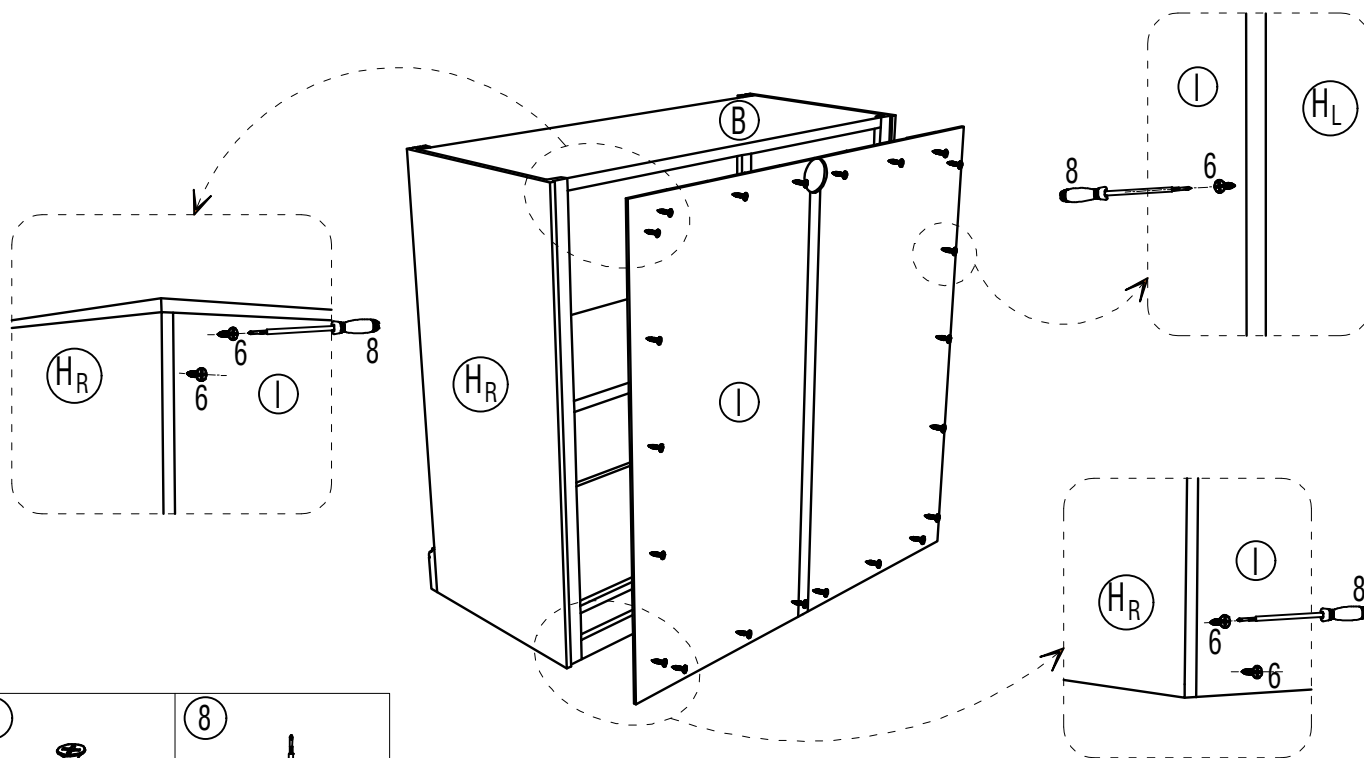


7



15x20mm
4 pcs

STEP 15



6

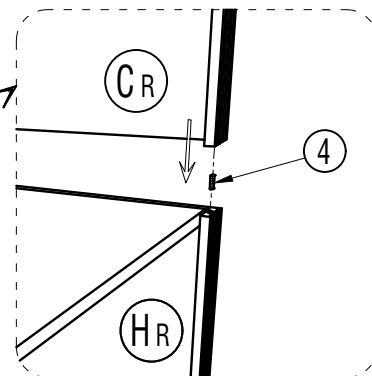
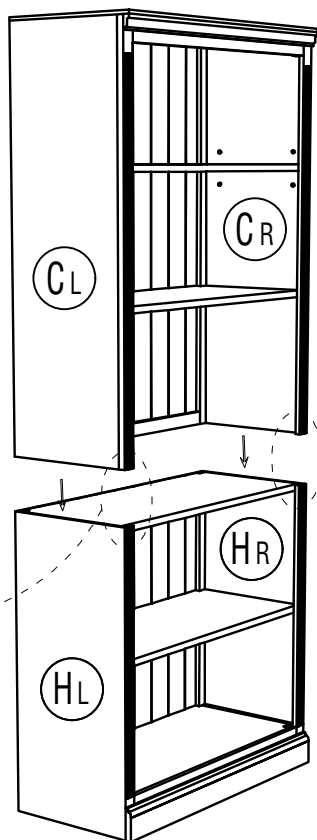
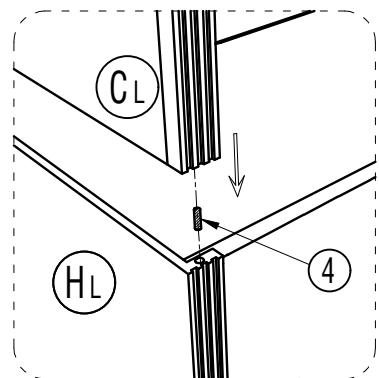


3x15mm
22 pcs

8



STEP 16

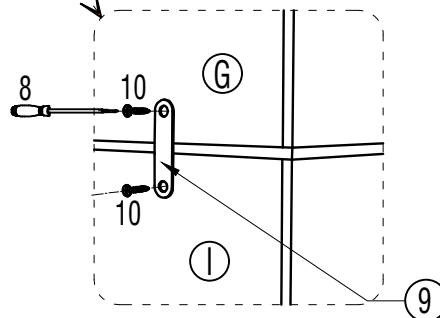
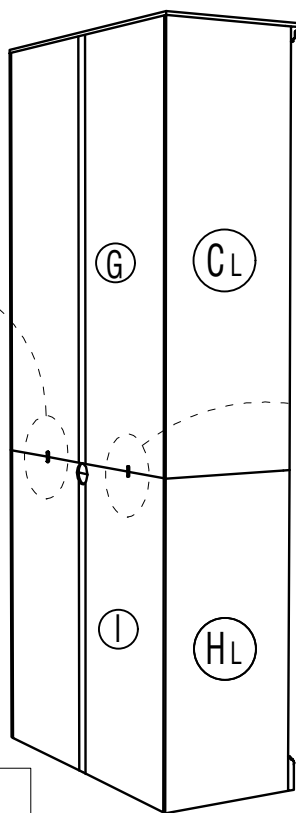
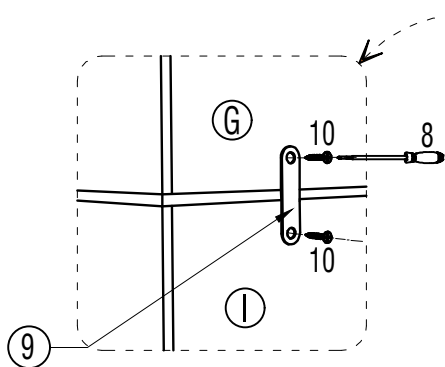


④



8x30mm
2 pcs

STEP 17



⑧



⑨



20x80mm
2 pcs

⑩



4x20mm
4 pcs

STEP 18

