

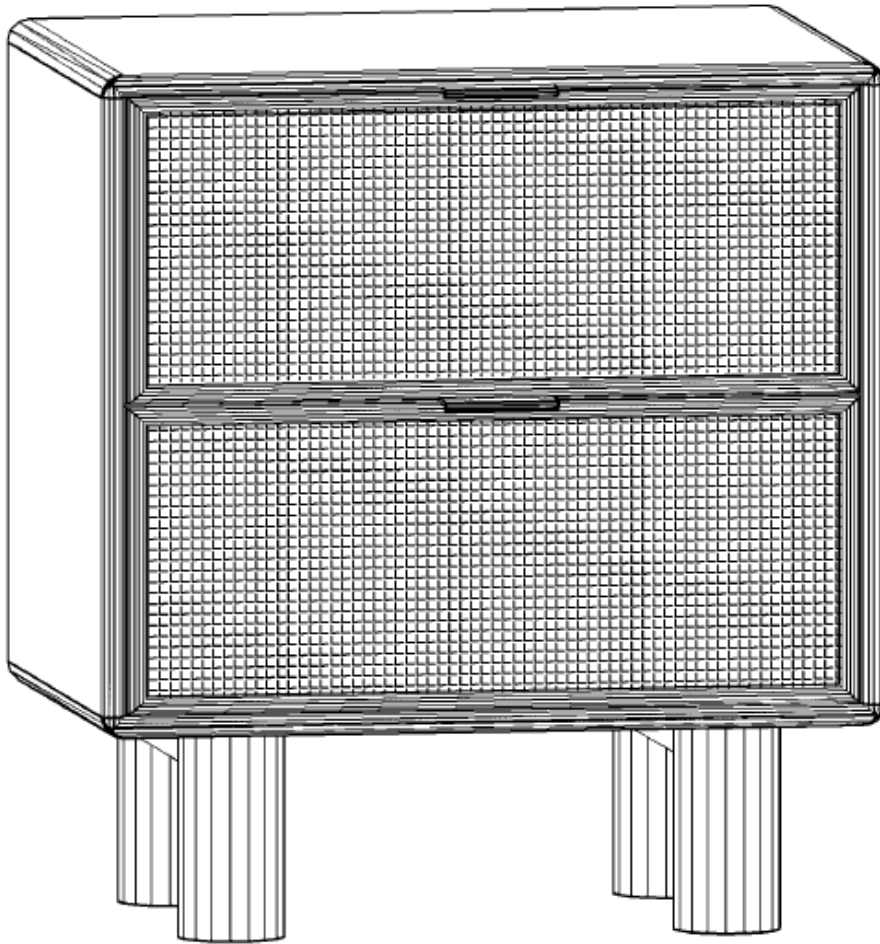
# ASSEMBLY INSTRUCTIONS



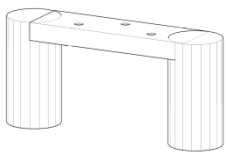
5 min



2 pers



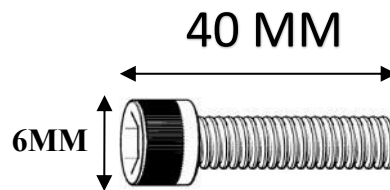
A



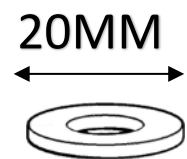
**Bx2**



**Cx1**

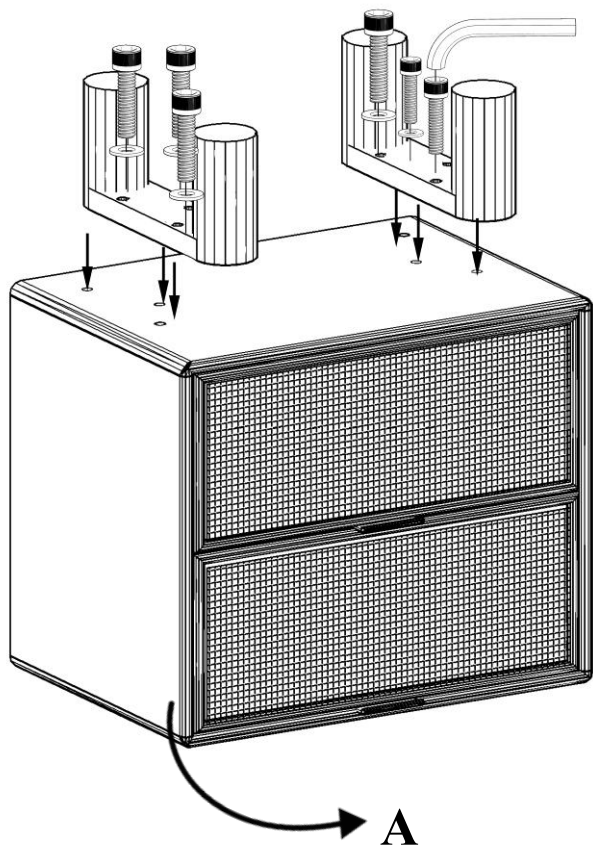


**Dx6**

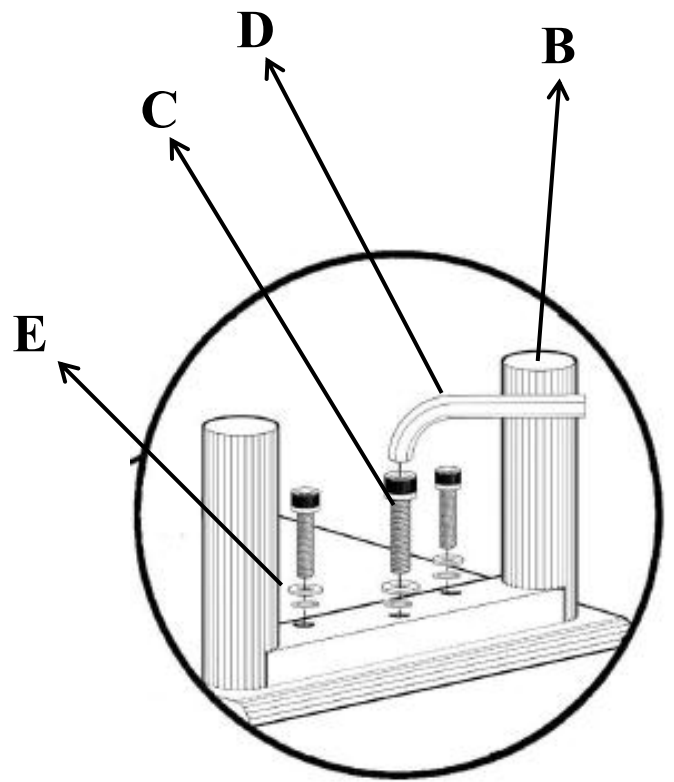


**Ex6**

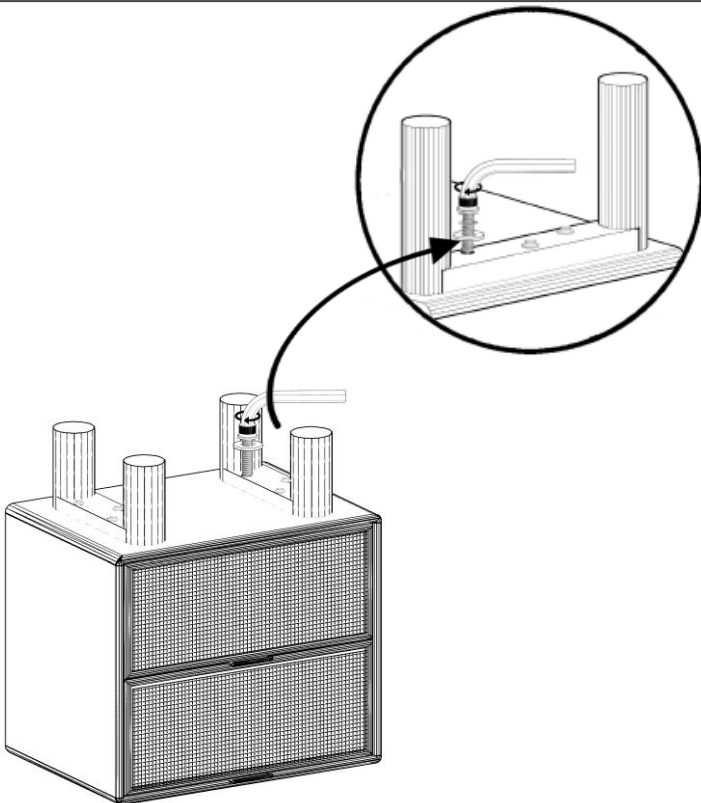
1



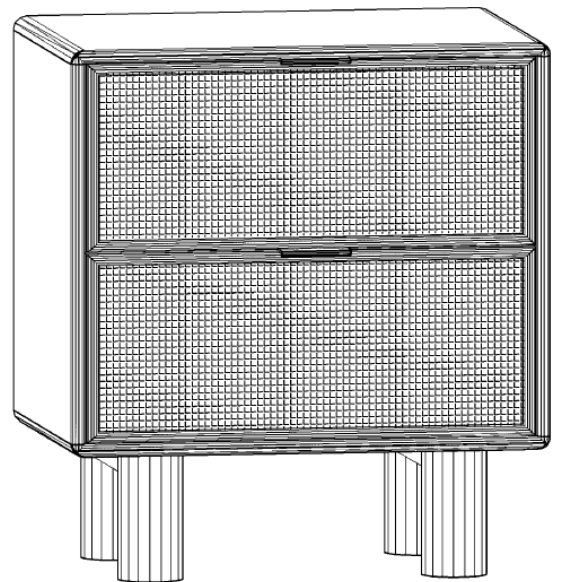
2



3



4



Now product is ready for use