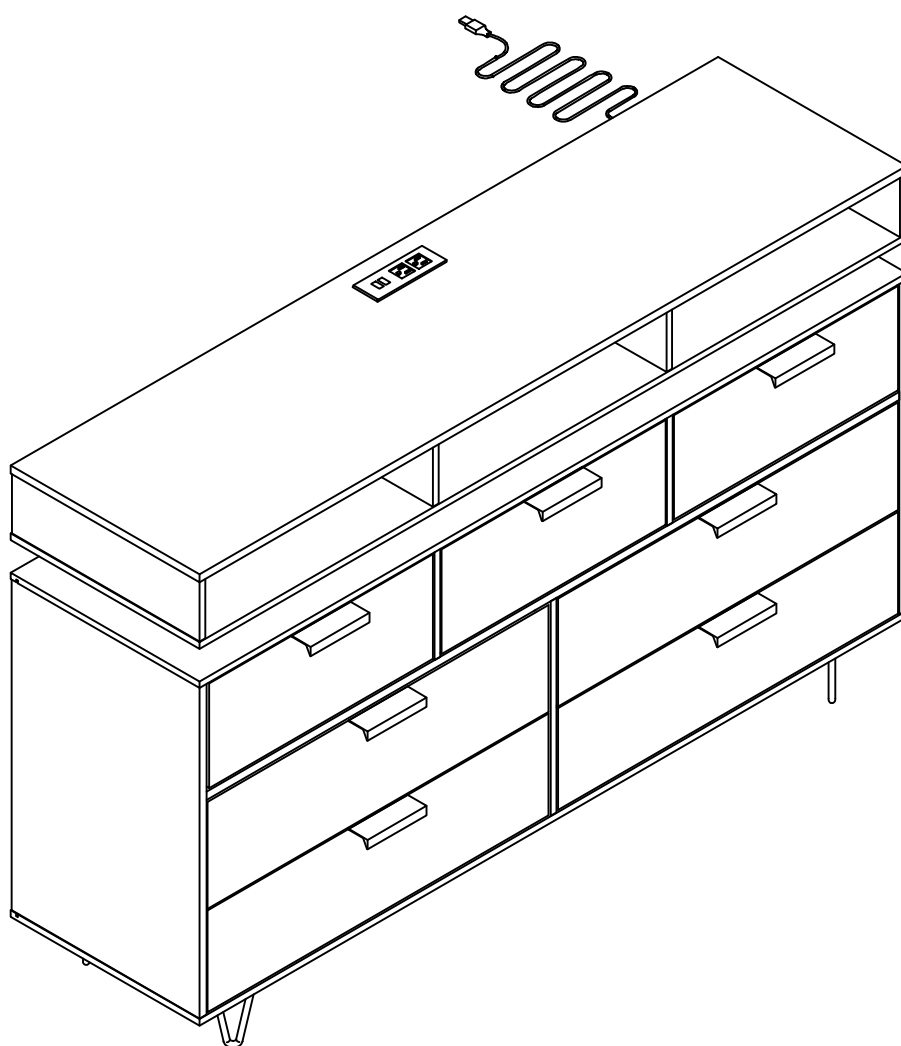
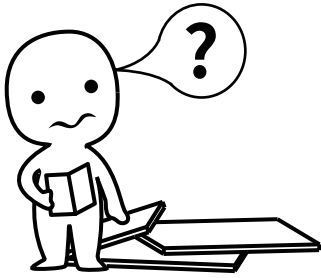


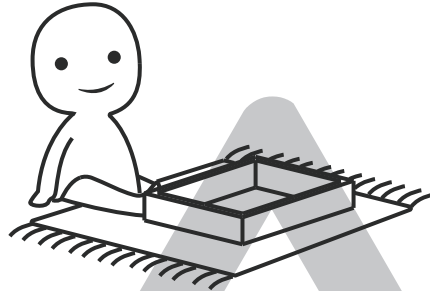
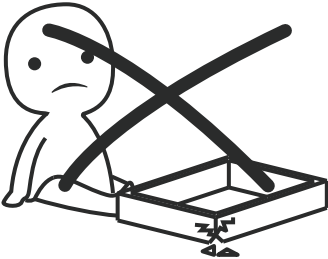
Seven bucket cabinets





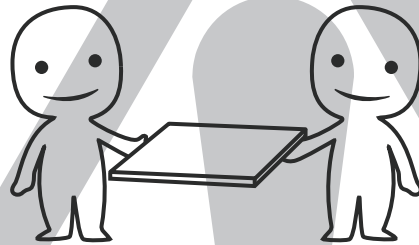
IMPORTANT INFORMATION!

please read the entire manual before starting to assemble and/or using this product. follow the manual thoroughly and keep it for further reference.



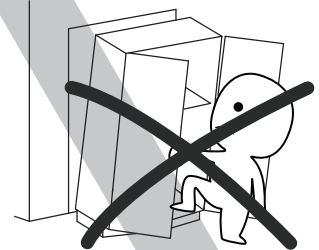
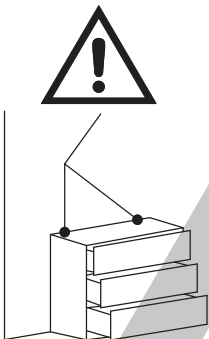
AVOID SCRATCHES!

In order to avoid scratching this furniture should be assembled on a soft layer- could be a rug.



IMPROVE EFFICIENCY !

Try to find a partner to install with you, which can speed up the installation efficiency and shorten the time.



ANTI-TOPPLE WARNING !

Overturned furniture can cause serious or fatal crush injuries. To prevent tipping over, be sure to use the wall attachment, if not included with this product. Please purchase the wall attachment that fit your wall. If unsure, seek professional advice. Please read and follow each step of the instructions carefully.

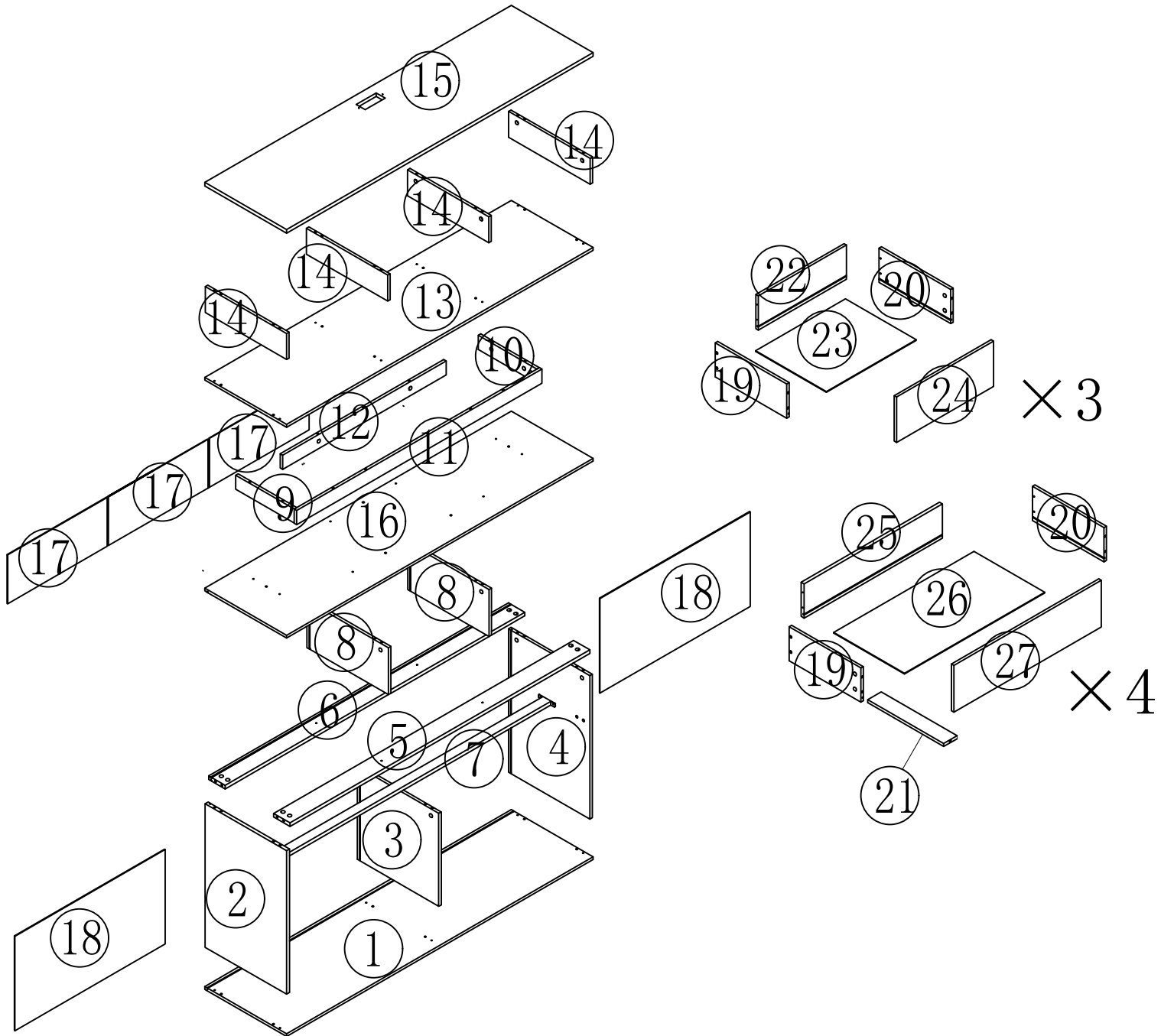
IMPORTANT !

It is important that any product which is assembled using any kind of screw is re-tightened 2 weeks after assembly, and once every 3 months - in order to assure stability through-out the lifespan of the product.

For regular maintenance and cleaning of the product, for the frame, please use a rag dipped in neutral detergent to fully wipe it, and then dry it with a clean rag. For glass materials, wipe with a rag dampened with water glass cleaner, and then dry with a dry rag.

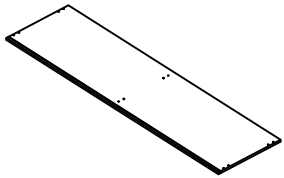
Do not use an electric screwdriver, and do not use too much force when installing, because the board is easy to break.

Board Identification

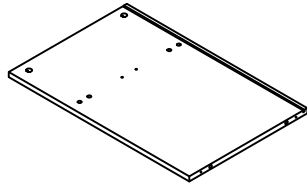


PARTS LIST

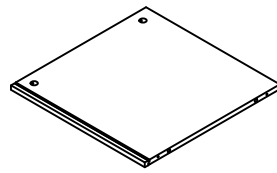
① x1



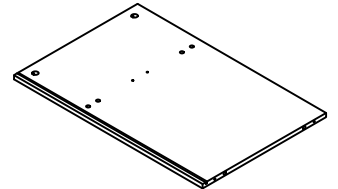
② x1



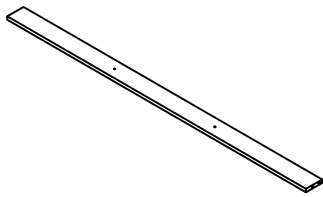
③ x1



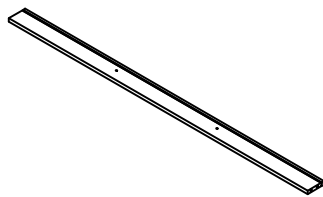
④ x1



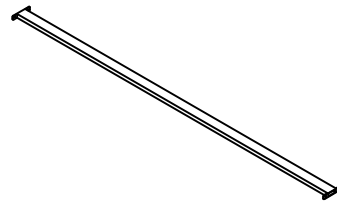
⑤ x1



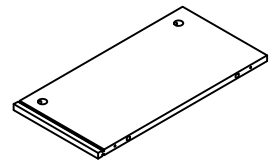
⑥ x1



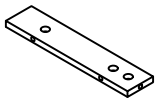
⑦ x1



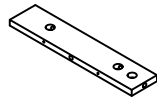
⑧ x2



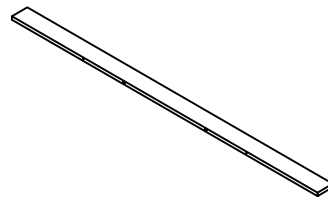
⑨ x1



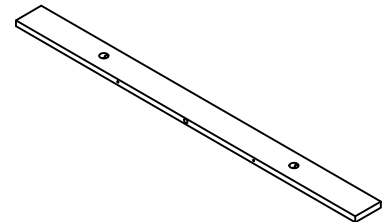
⑩ x1



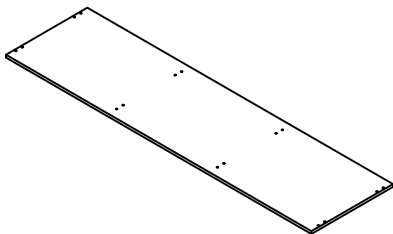
⑪ x1



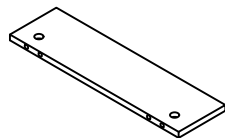
⑫ x1



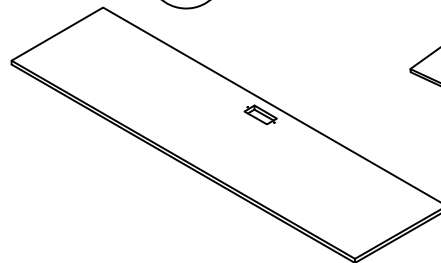
⑬ x1



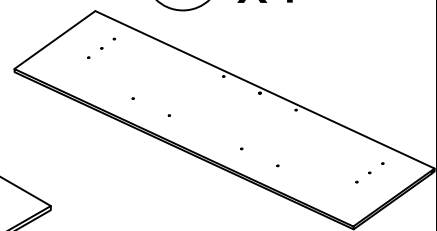
⑭ x4



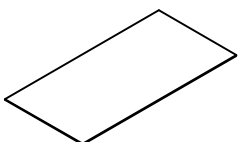
⑮ x1



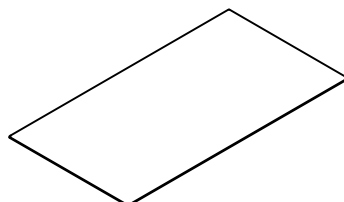
⑯ x1



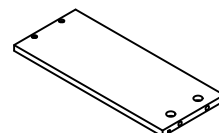
⑰ x3



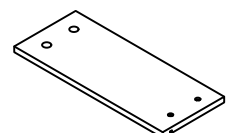
⑱ x2



⑲ x7

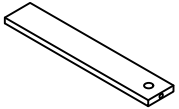


⑳ x7

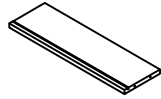


PARTS LIST

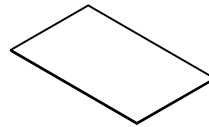
②① x4



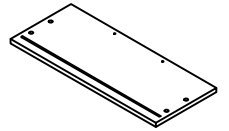
②② x3



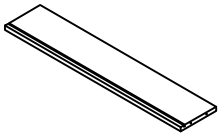
②③ x3



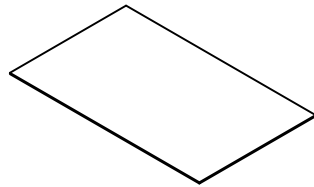
②④ x3



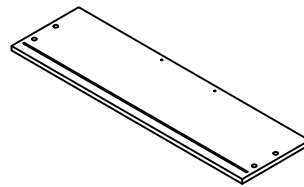
②⑤ x4

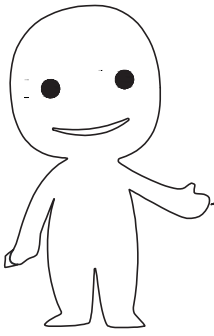


②⑥ x4

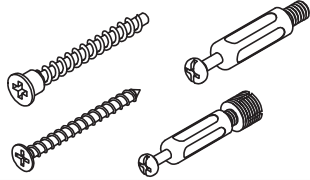
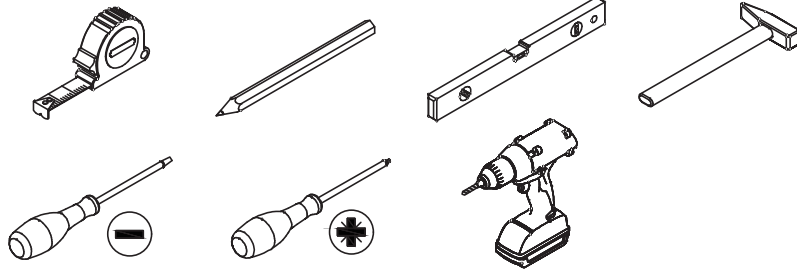


②⑦ x4



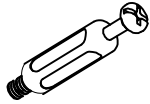


Please prepare the following tools



When installing, please carefully confirm whether each screw corresponds to the manual, accessories with similar shapes can be distinguished by size

Ax68+2



φ5*40mm

Bx68+2



φ15*9mm

Cx42+2



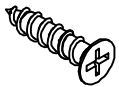
φ6*30mm

Dx4



4*12mm

Ex70+2



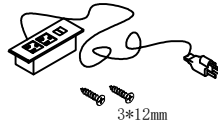
M4*10mm

Fx32+2



4*40mm

Gx1



3*12mm

Hx27+2

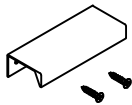


5*38mm

Ix5



Jx7



Kx8

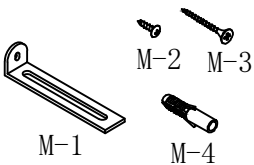


3*12mm

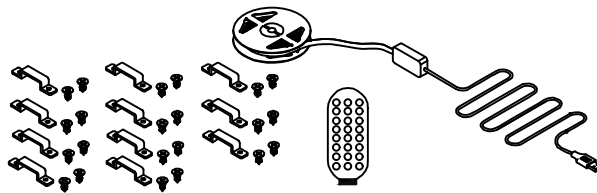
Lx68+2



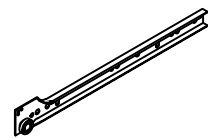
Mx2



Nx1

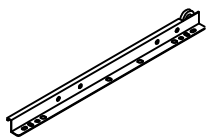


CLx7



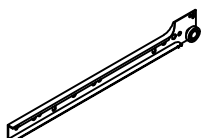
L=350MM

DLx7



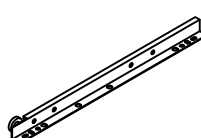
L=350MM

CRx7






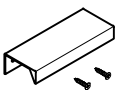
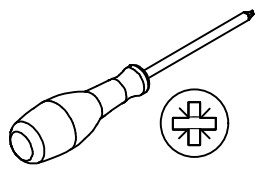
L=350MM

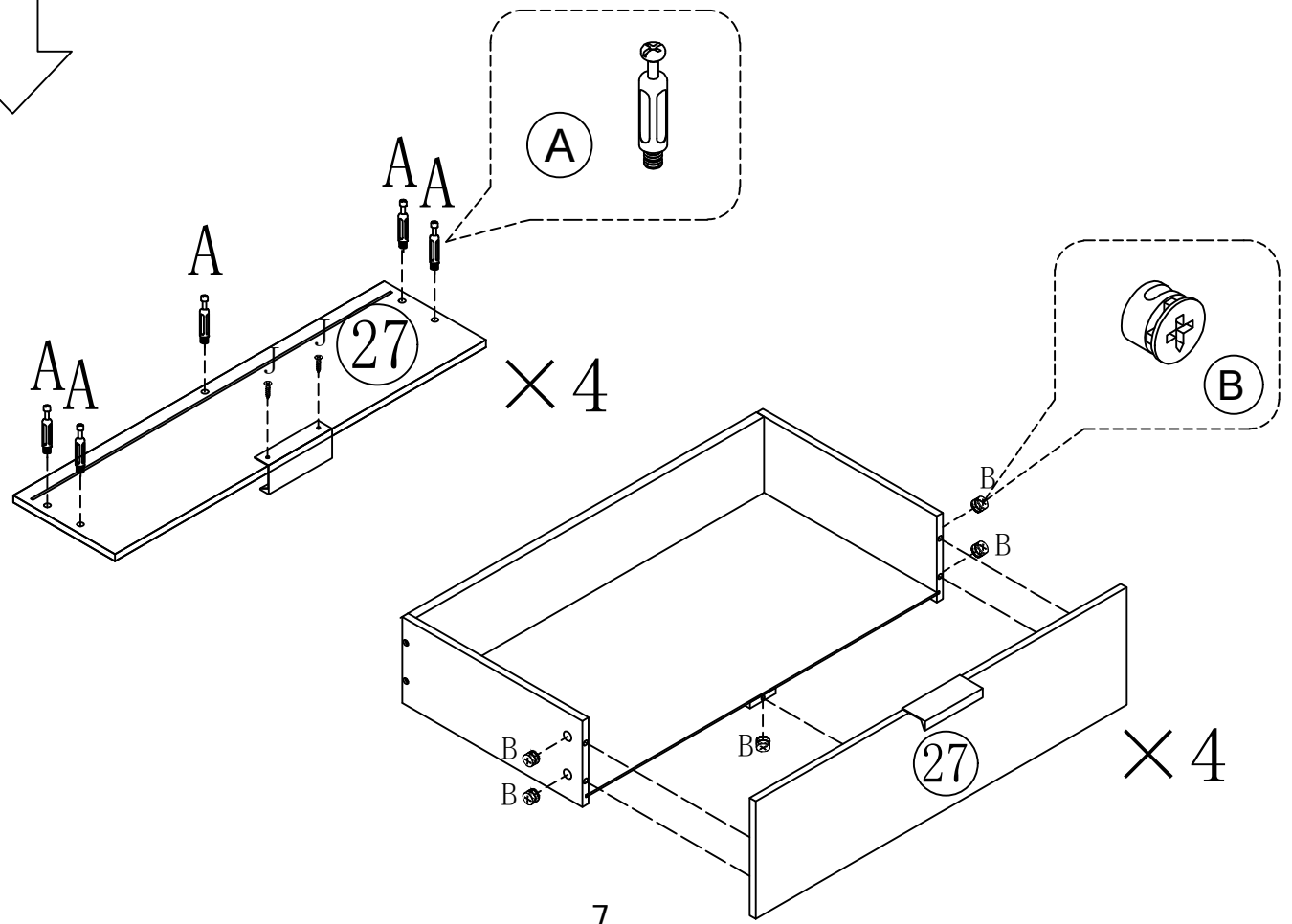
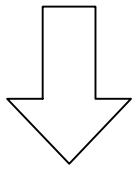
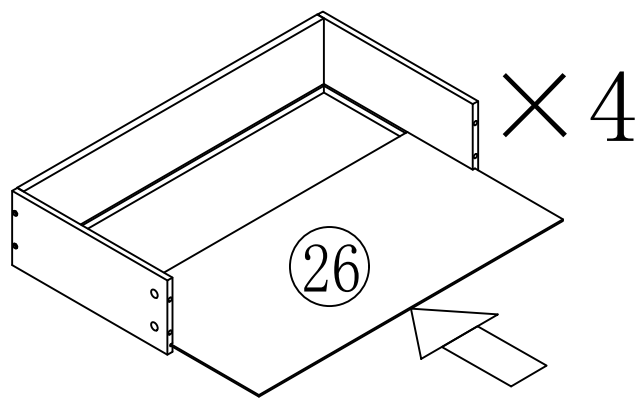
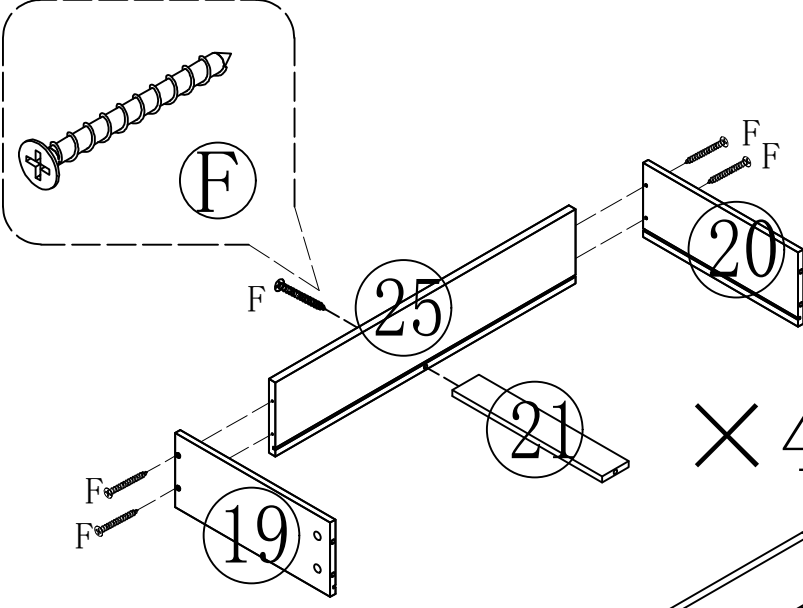
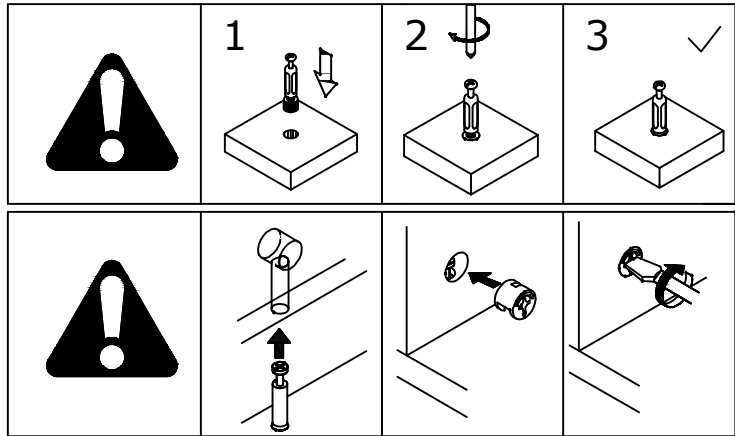
DRx7



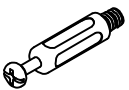


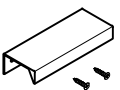
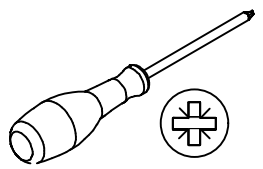
L=350MM

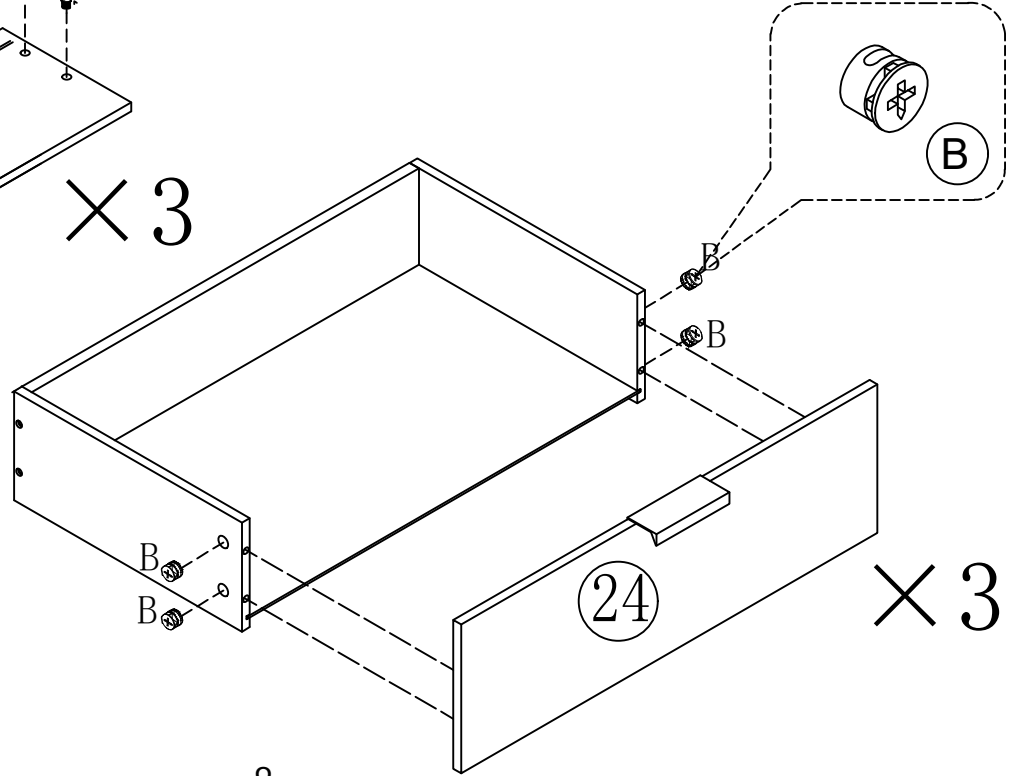
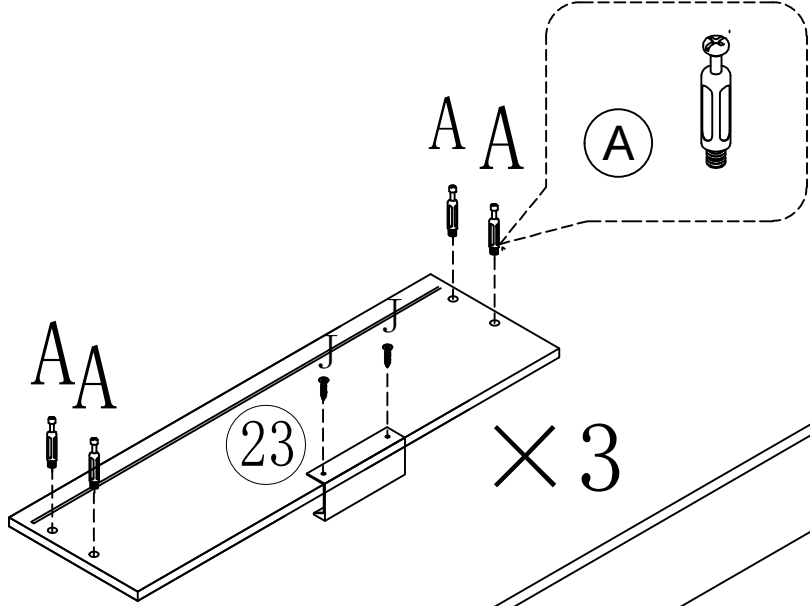
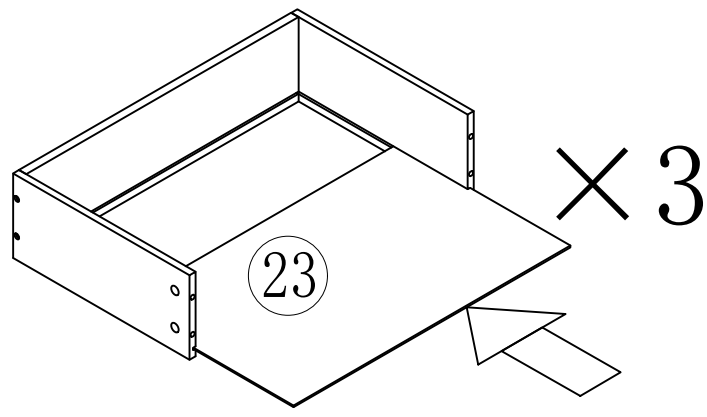
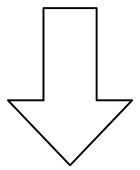
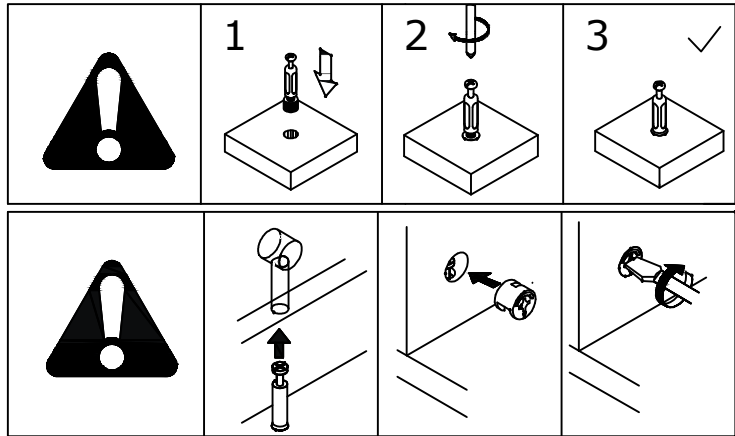
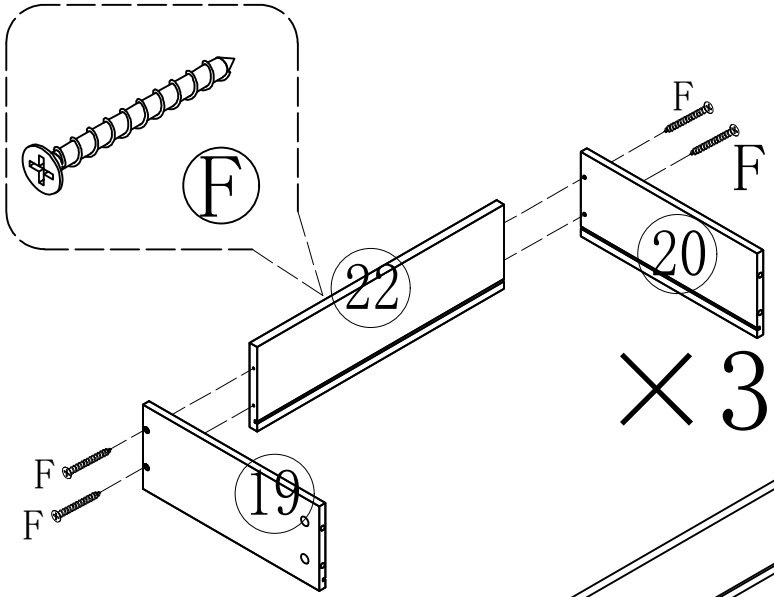
1

<p>AX20</p>  <p>Ø5 x 40 mm</p>	<p>B x 20</p>  <p>Ø15*9 mm</p>	<p>FX20</p>  <p>Ø4*40 mm</p>	<p>J x 4</p> 	
---	---	---	---	--


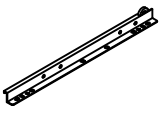
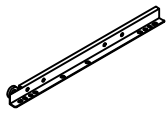
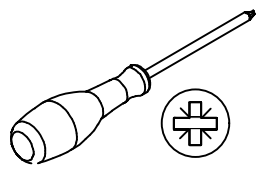


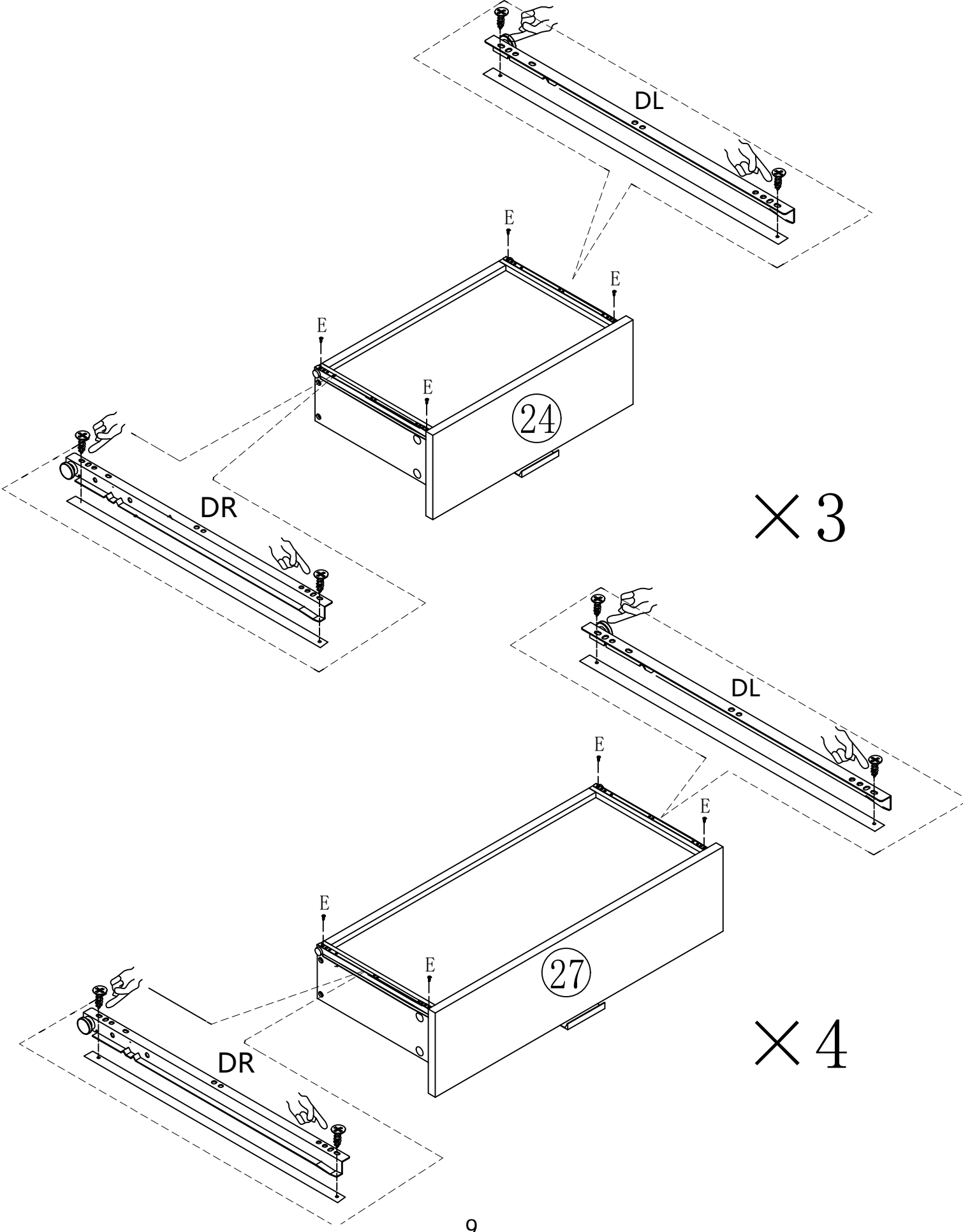
2

<p>AX12</p>  <p>∅5 x 40 mm</p>	<p>B x 12</p>  <p>∅15*9 mm</p>	<p>FX12</p>  <p>∅4*40 mm</p>	<p>J x 3</p> 	
---	---	---	---	--

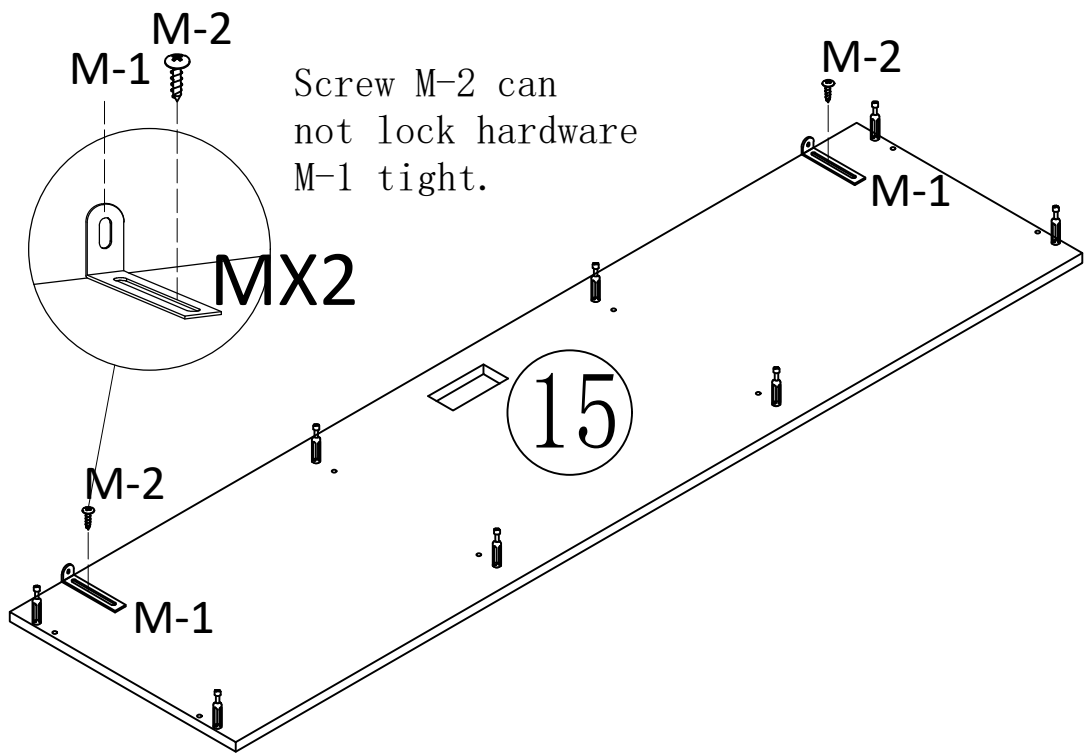
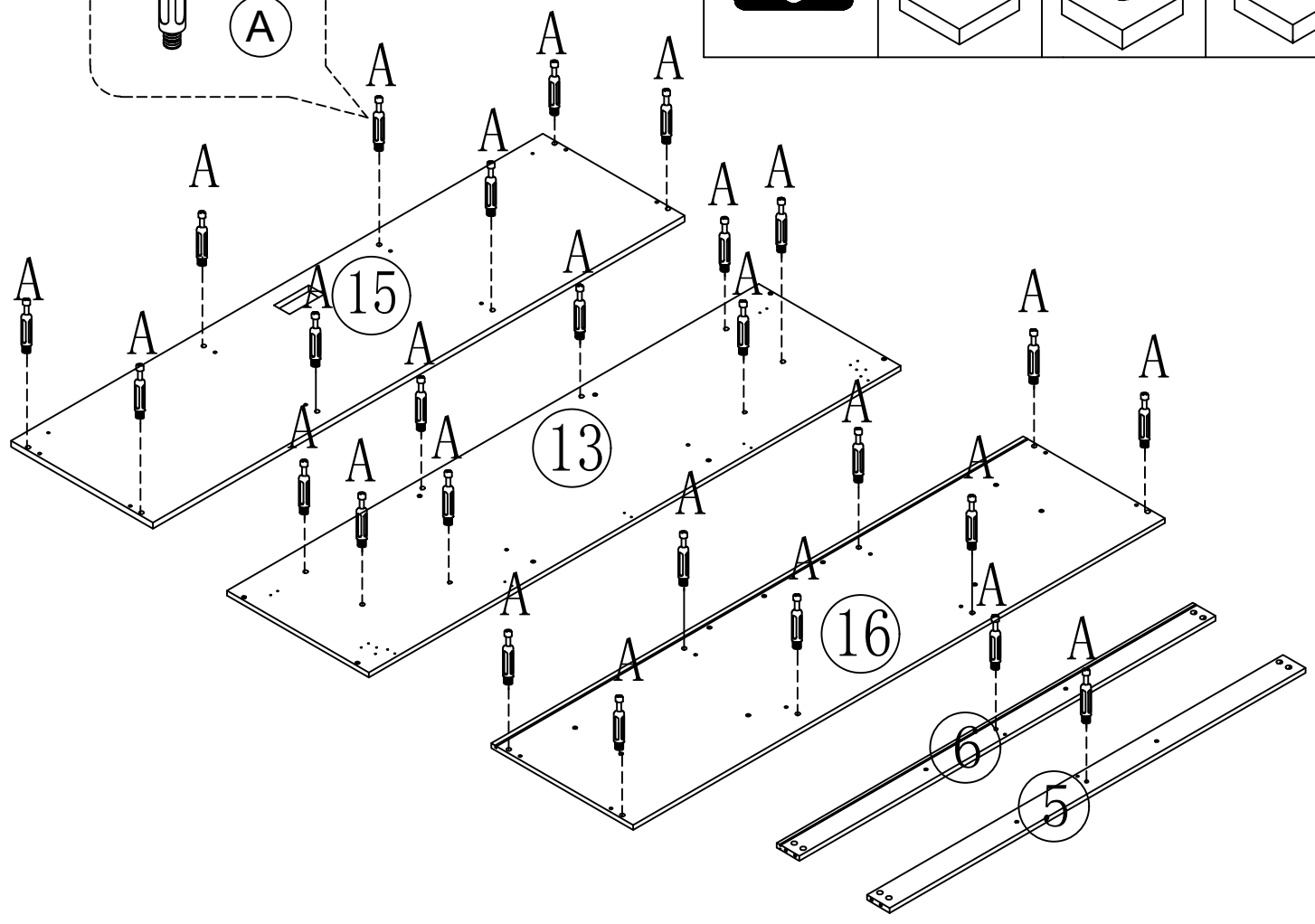
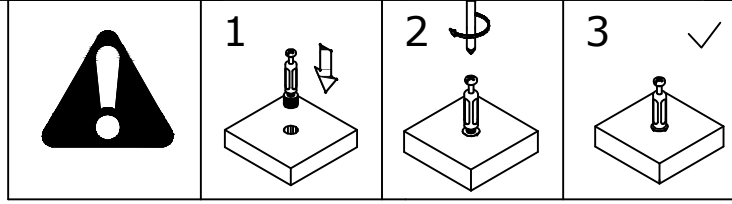
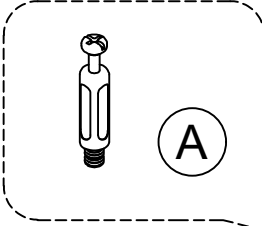
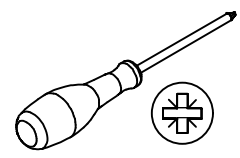
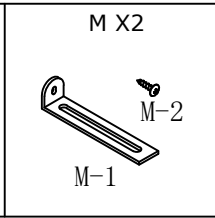
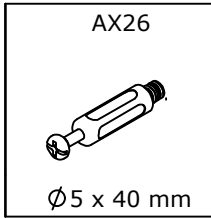


3

<p>EX28</p>  <p>3.5 x 12 mm</p>	<p>DL*7</p> 	<p>DR*7</p> 	
--	---	---	--



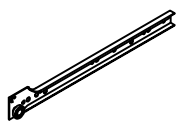
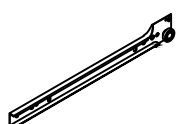
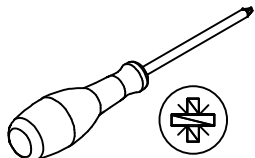


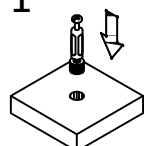
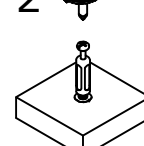
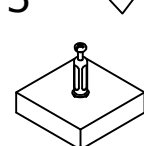


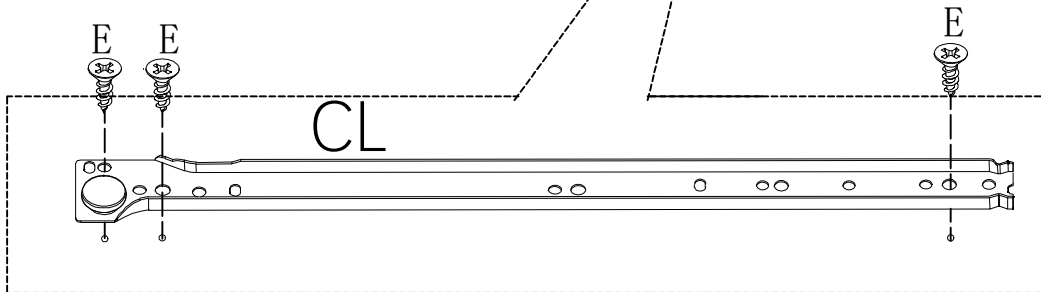
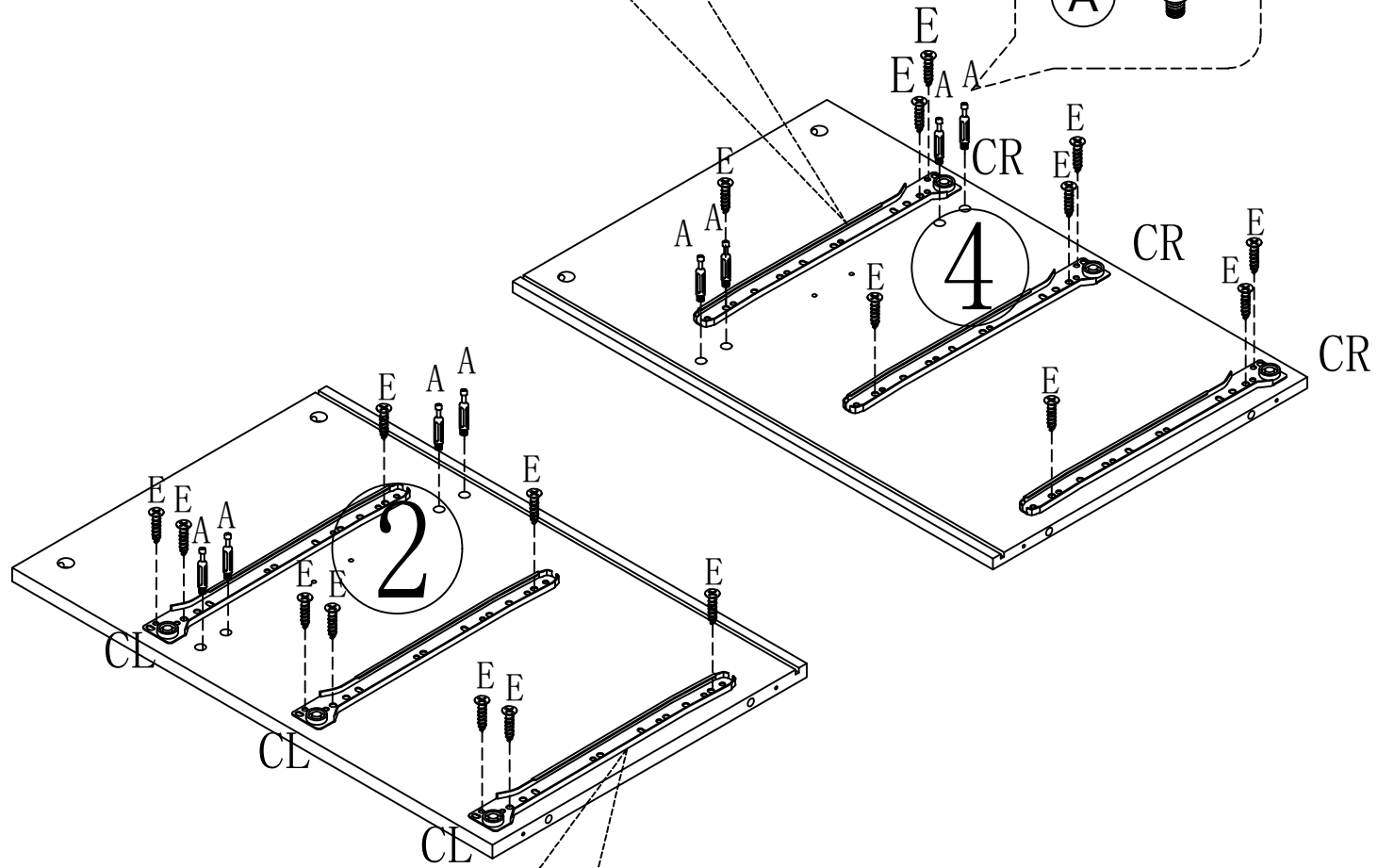
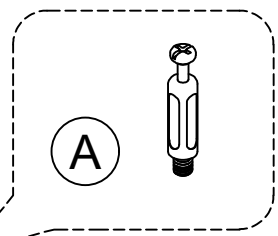
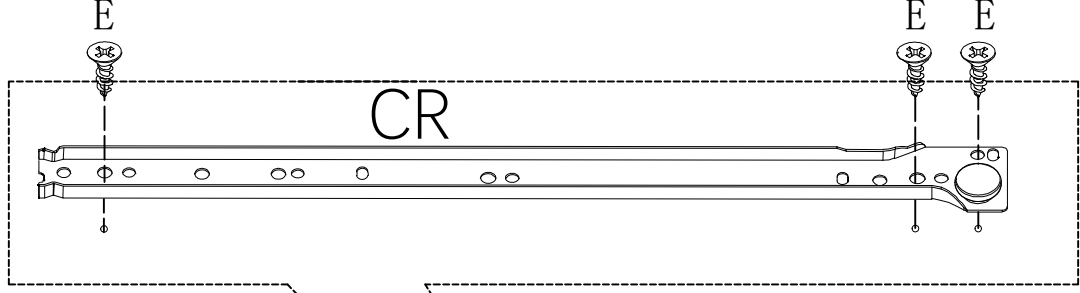
4




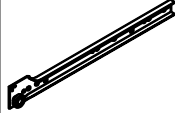
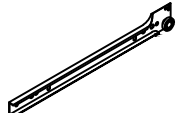
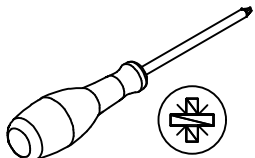

Screw M-2 can not lock hardware M-1 tight.

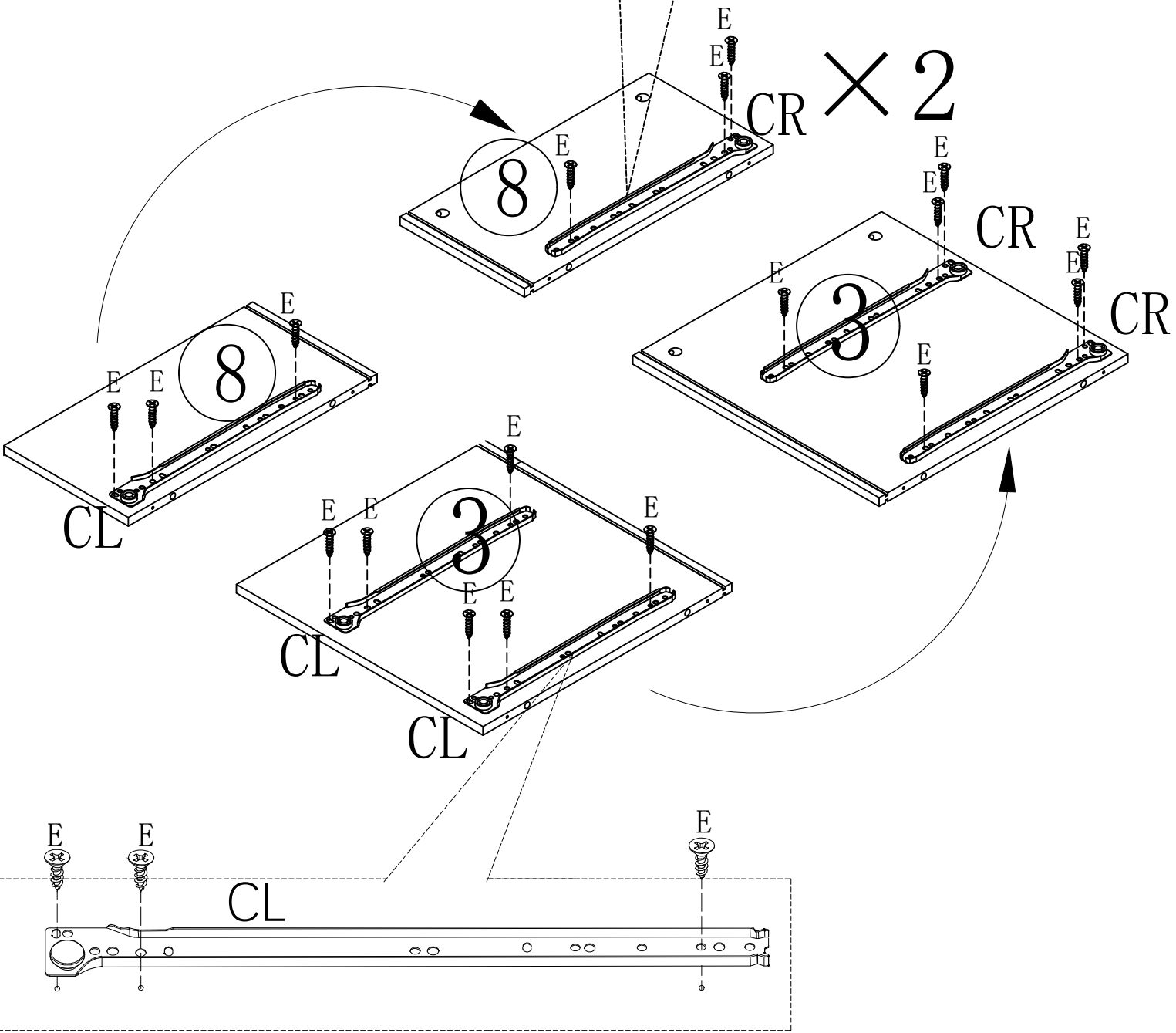
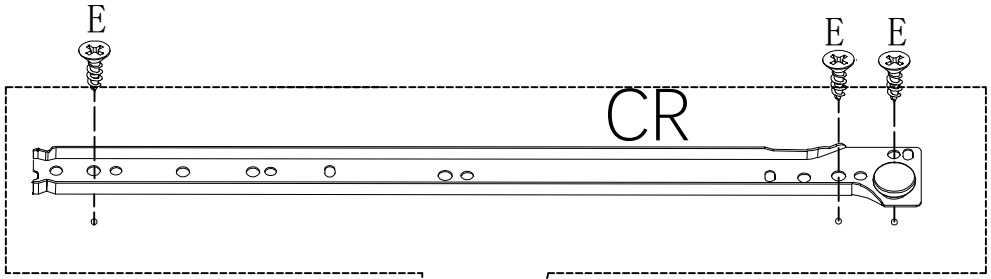
5

A X8  Ø5 x 40 mm	EX18  3.5 x 12 mm	CL X3 	CR X3 	 
	1 	2 	3 	


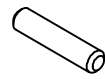
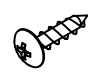

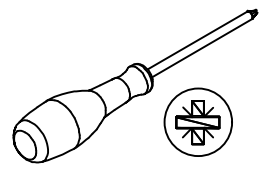



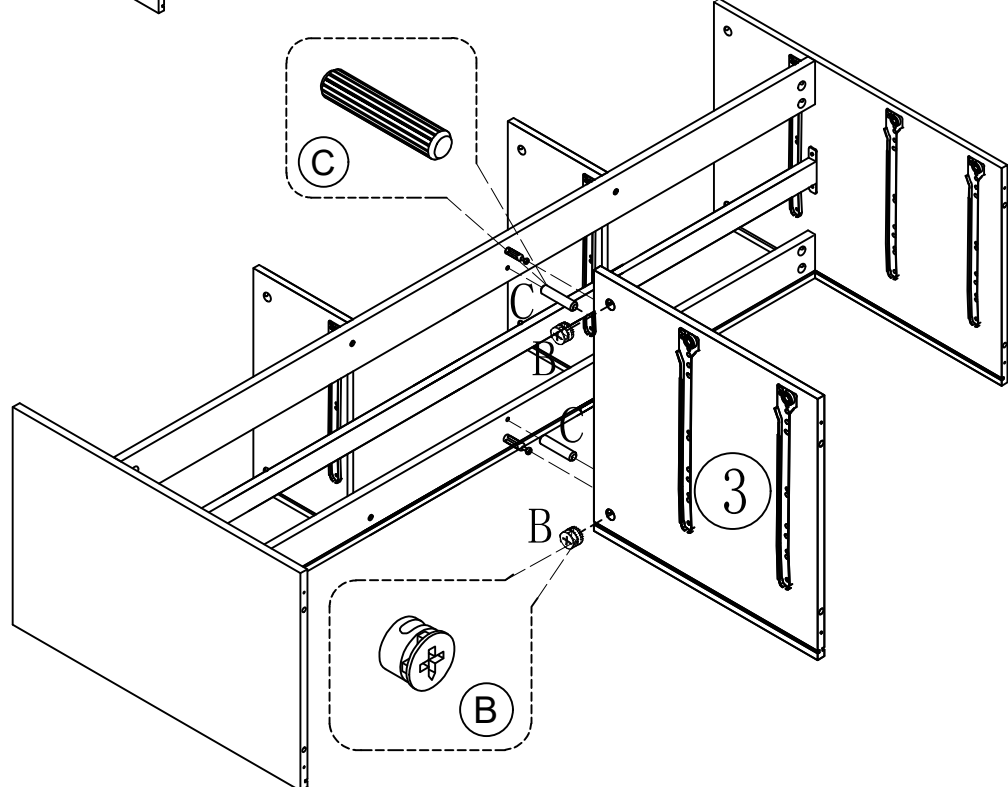
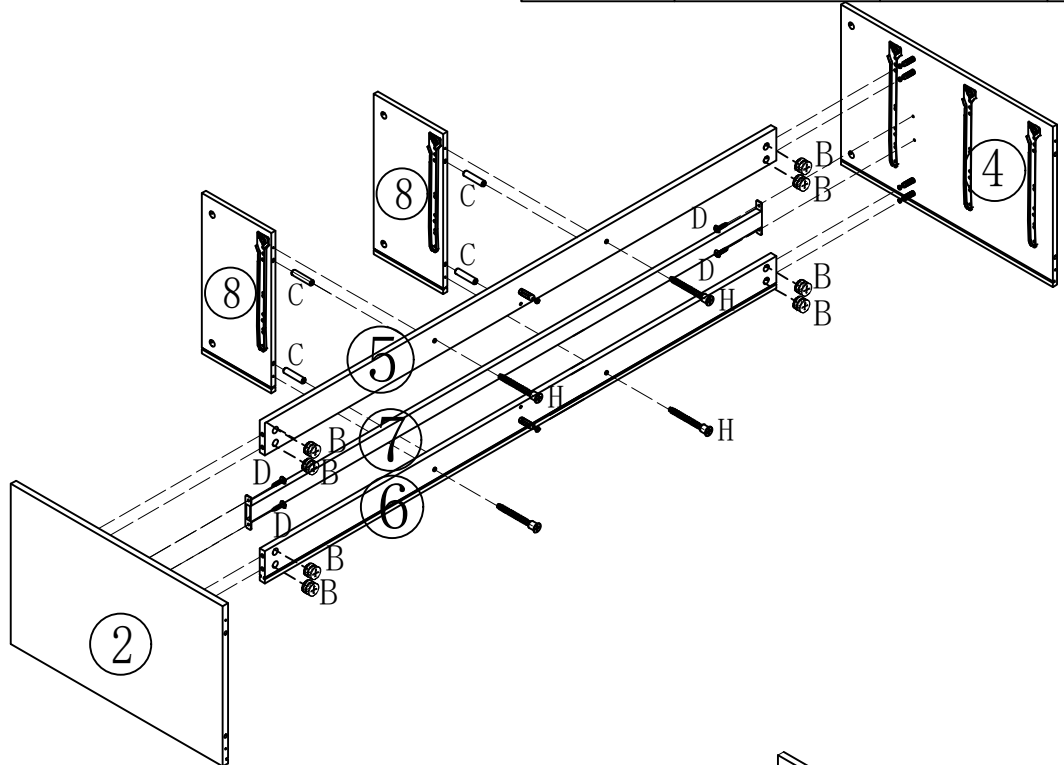
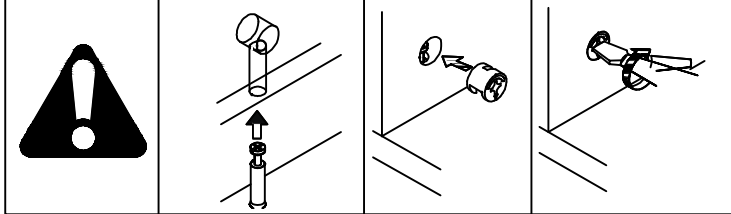
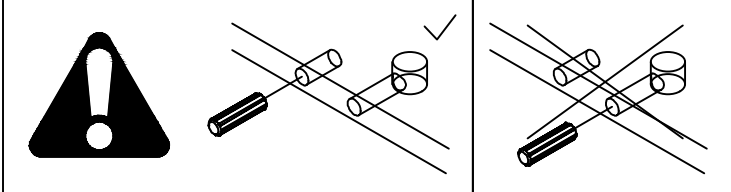
6

EX24  3.5 x 12 mm	CL X4 	CR X4 		 
--	---	---	--	---



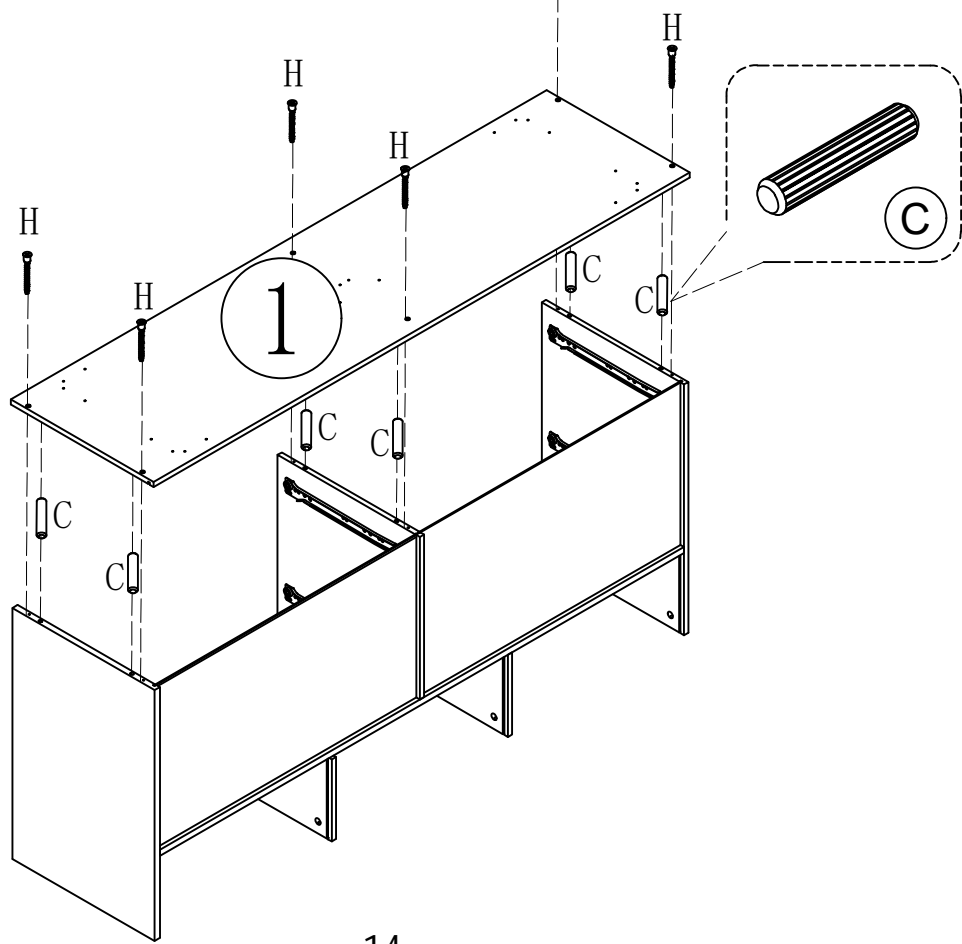
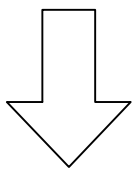
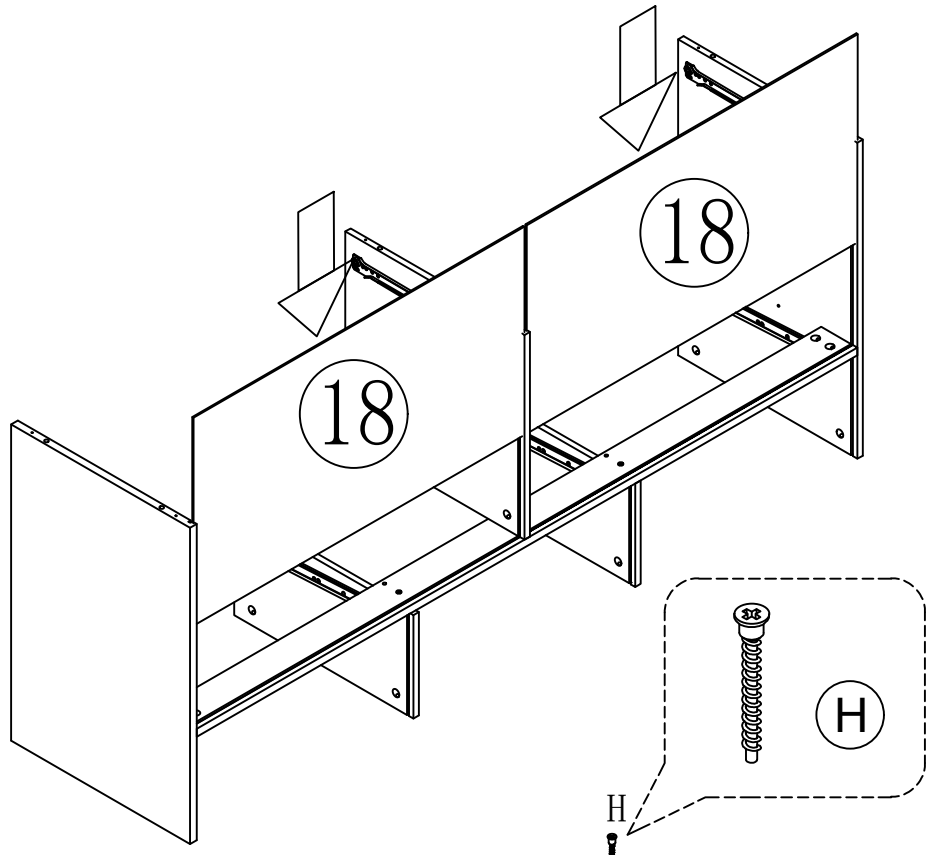
7

<p>B x 10</p>  <p>Ø15*9 mm</p>	<p>CX6</p>  <p>Ø6 x 30 mm</p>	<p>D x 4</p>  <p>Ø4 x 12 mm</p>	<p>HX4</p>  <p>Ø5 x 38 mm</p>	 
--	---	---	---	--



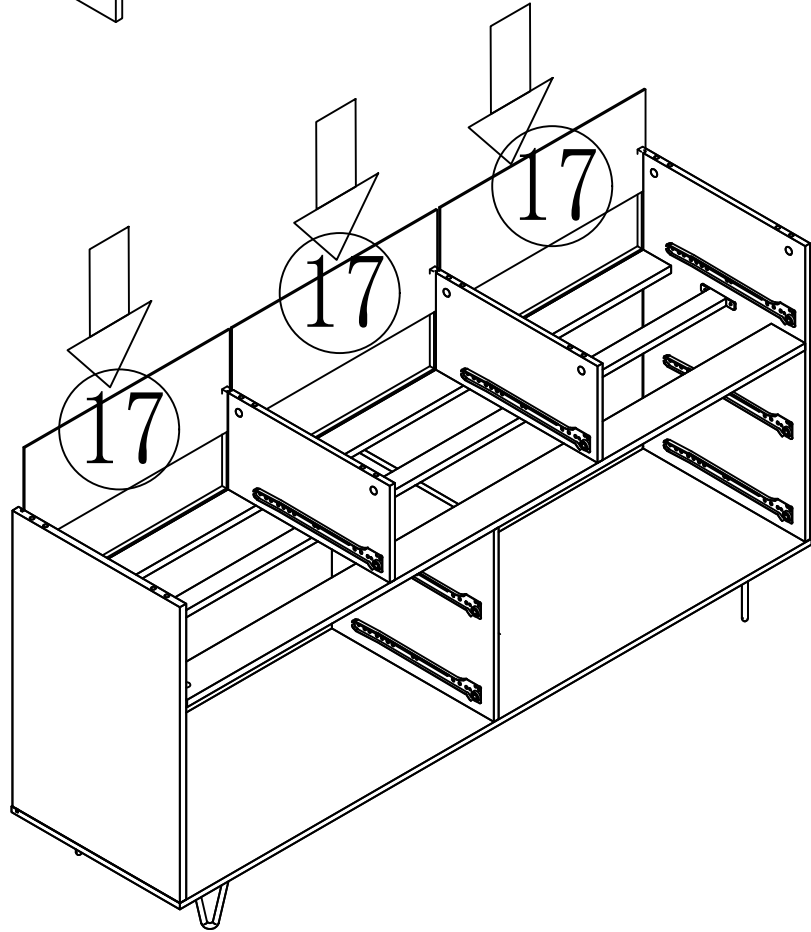
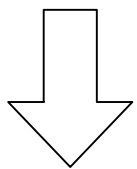
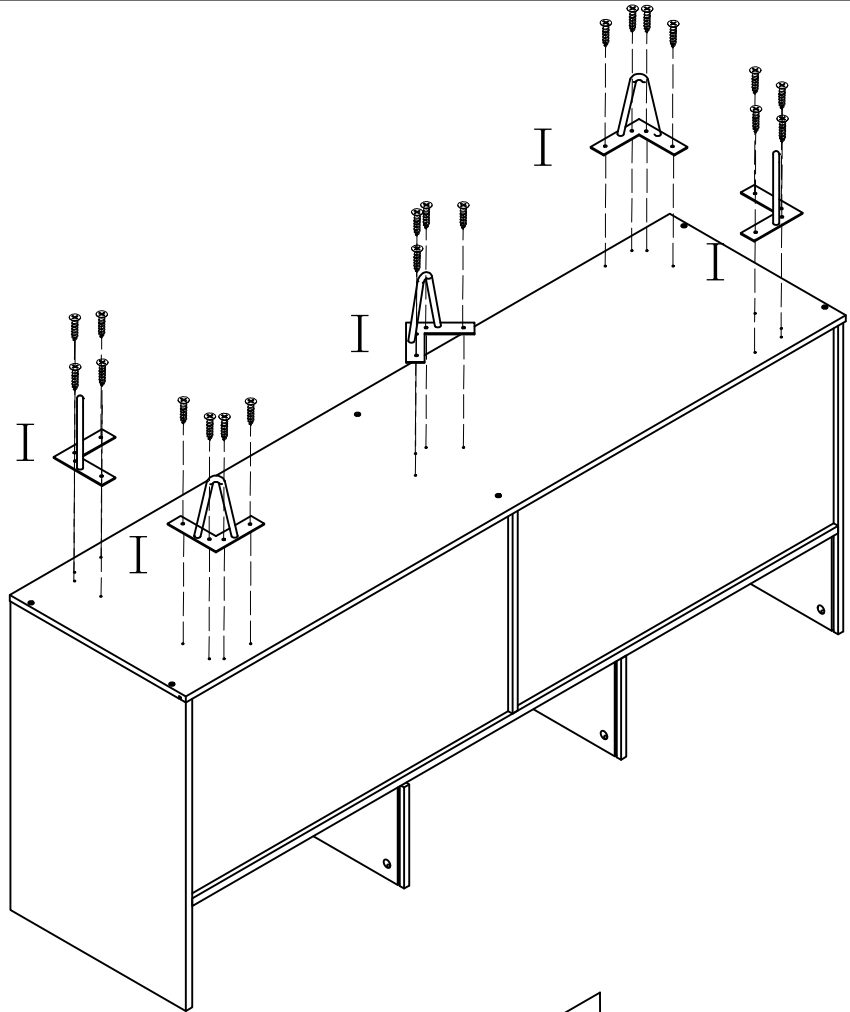
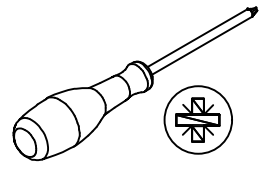
8

C X 6  Ø6 x 30 mm	HX6  Ø5 x 38 mm	 
--	--	---


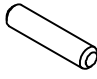
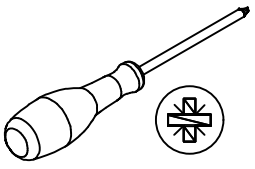



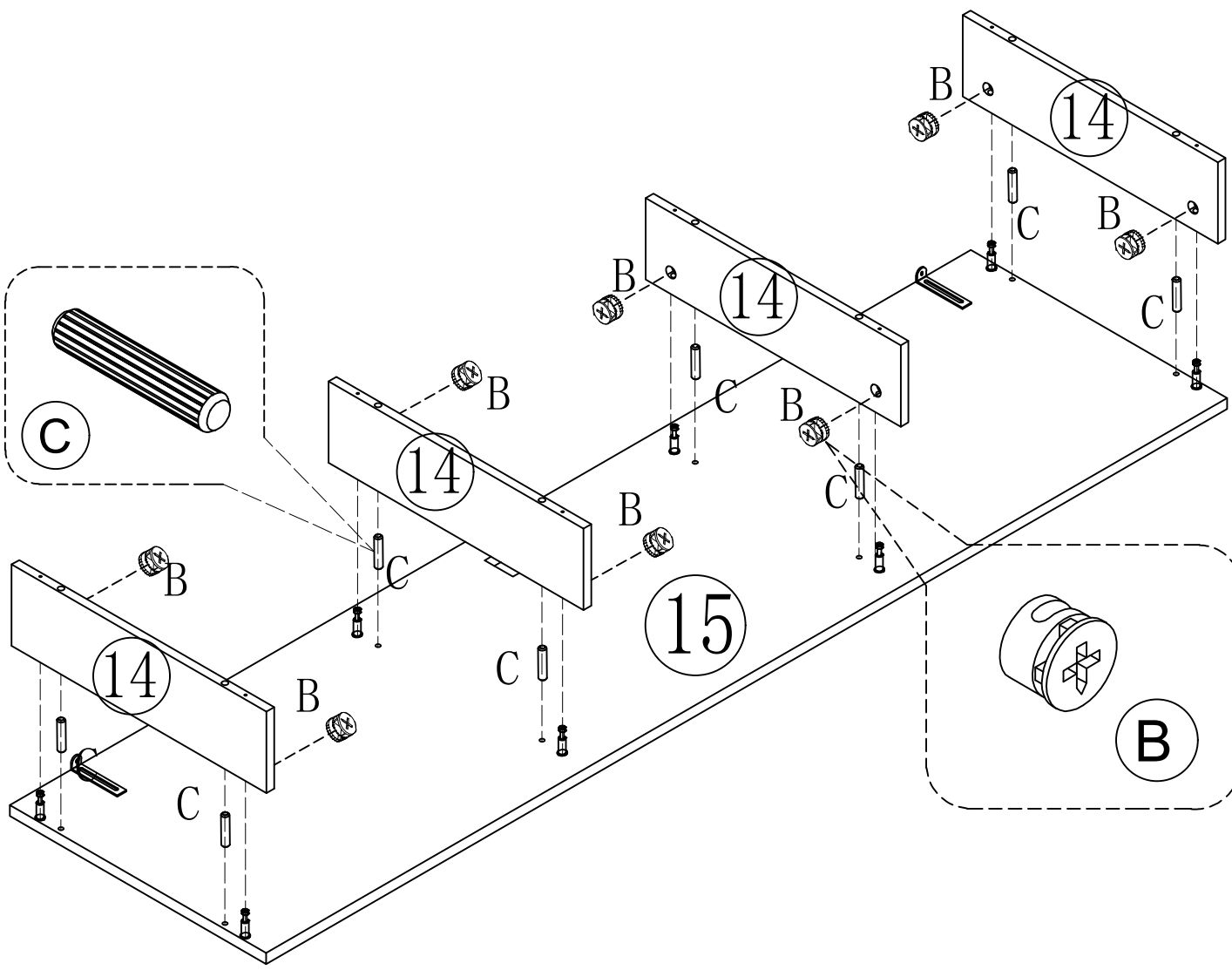
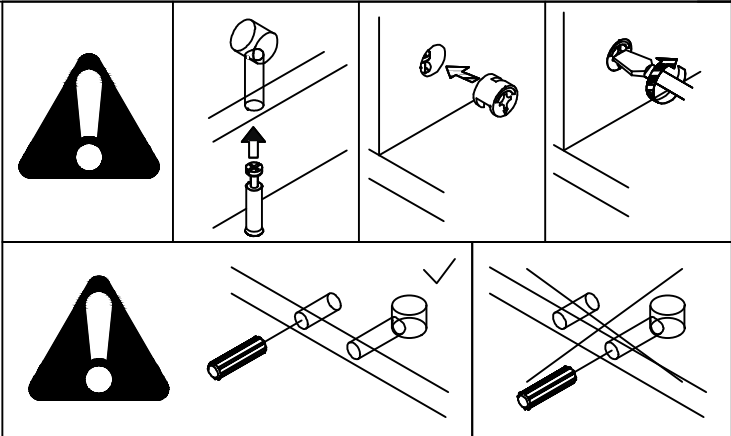
9

I X5

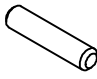



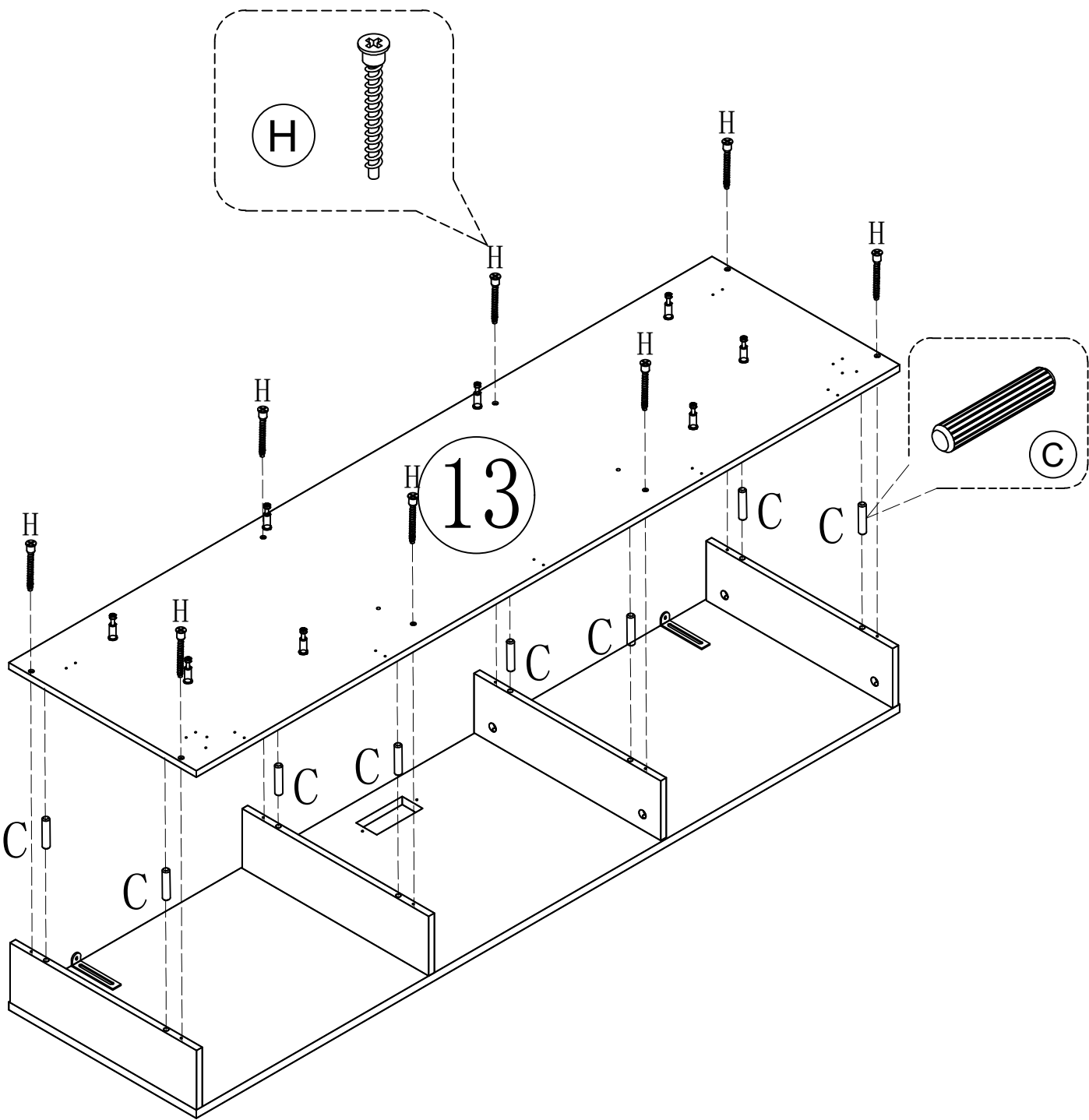
10

<p>B x 8</p>  <p>Ø15*9 mm</p>	<p>C x 8</p>  <p>Ø6 x 30 mm</p>	 
--	--	--



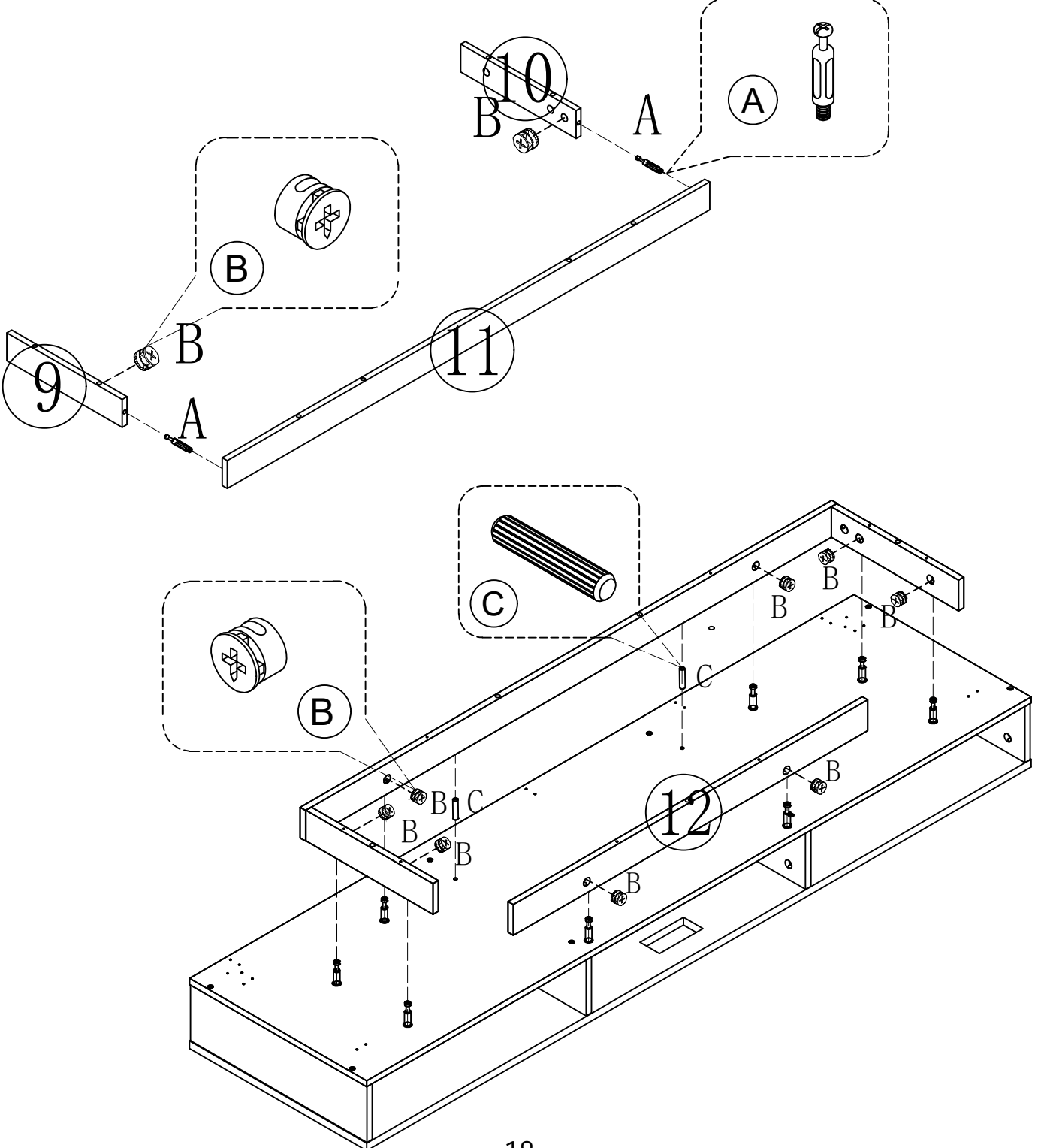
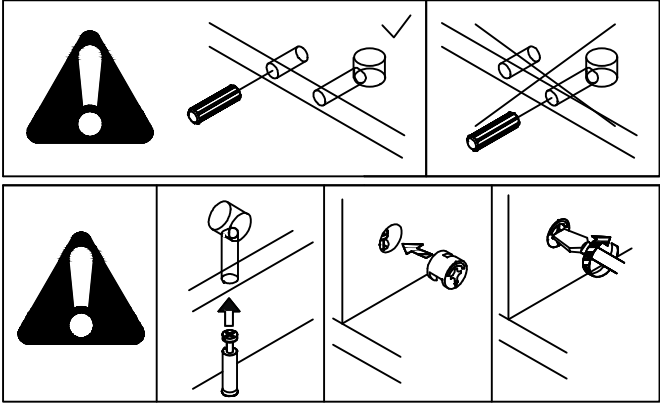
11

<p>C X 8</p>  <p>Ø6 x 30 mm</p>	<p>HX8</p>  <p>Ø5 x 38 mm</p>	 
--	--	--

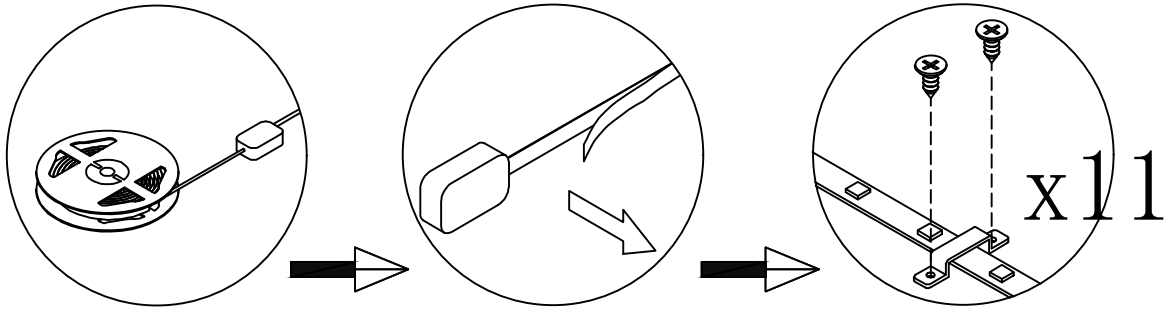
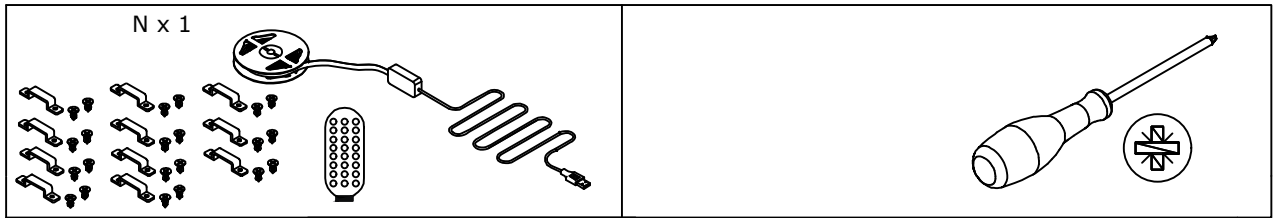


12

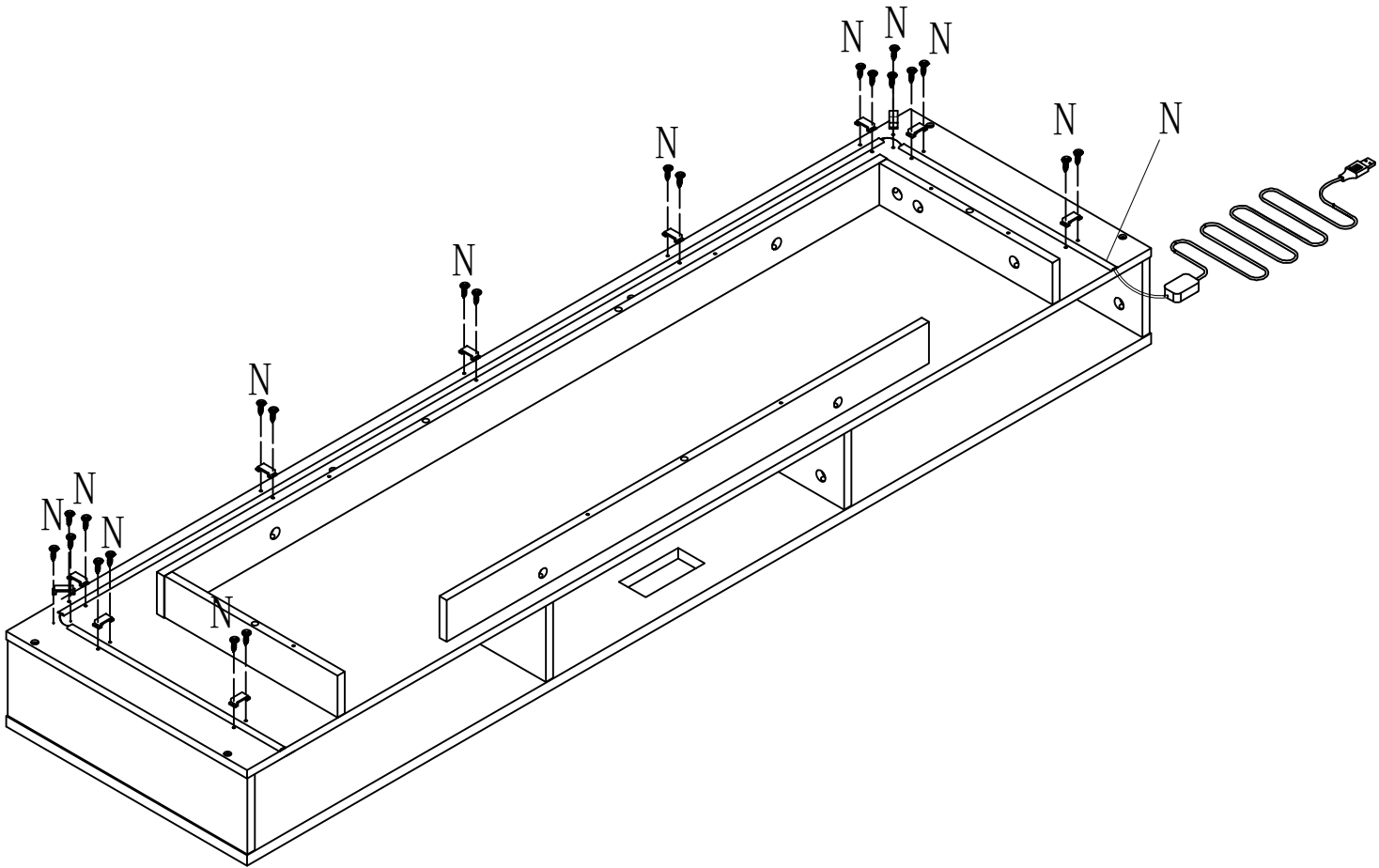
A X2  Ø5 X40 mm	B x 10  Ø15*9 mm	C X2  Ø6 x 30 mm	
--	---	---	--



13

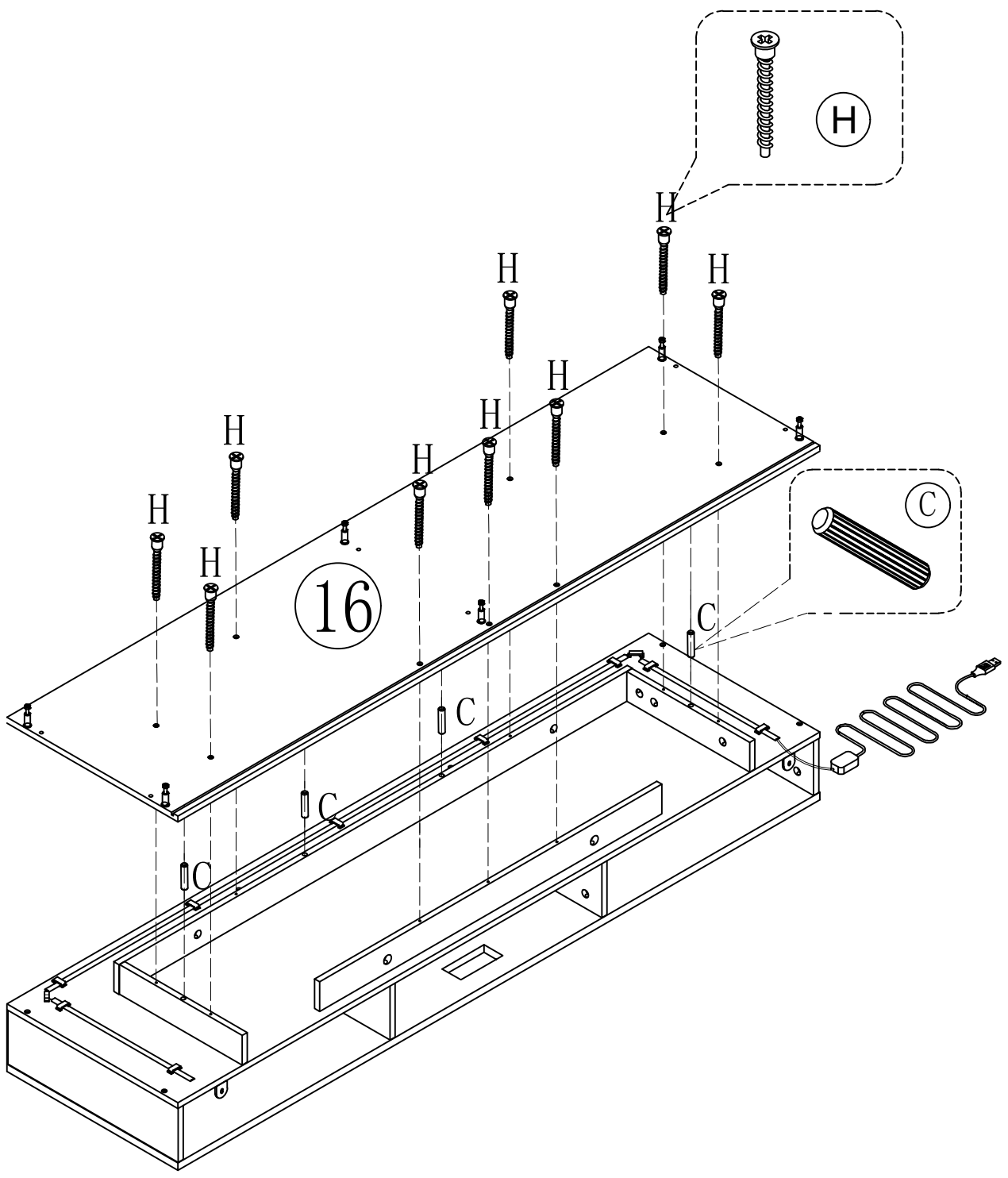


Remove the film before pasting,
but do not remove the double-sided
sticky tape together!



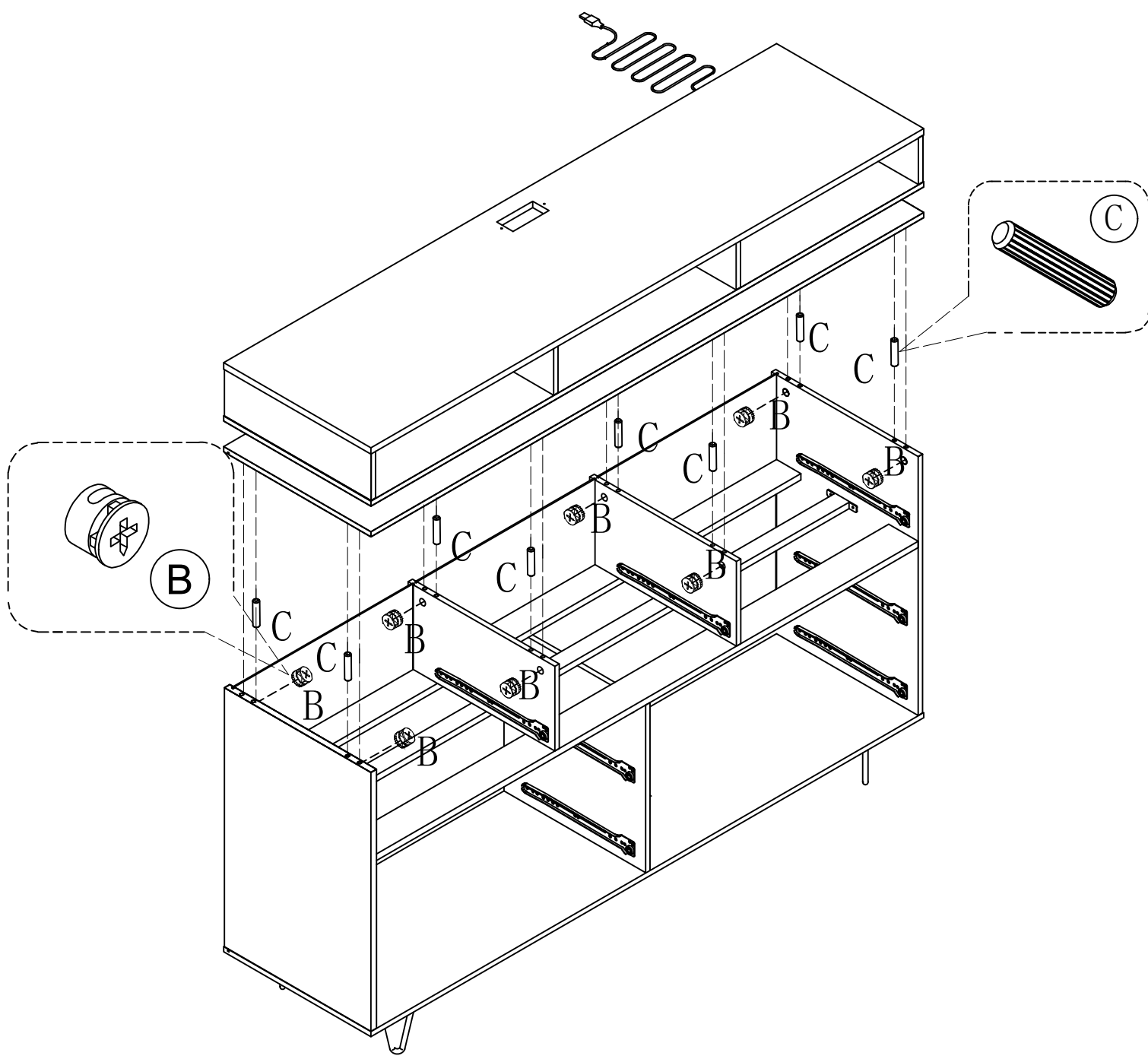
14

<p>CX4</p>  <p>Ø6 x 30 mm</p>	<p>HX9</p>  <p>Ø5 x 38 mm</p>	
--	--	--

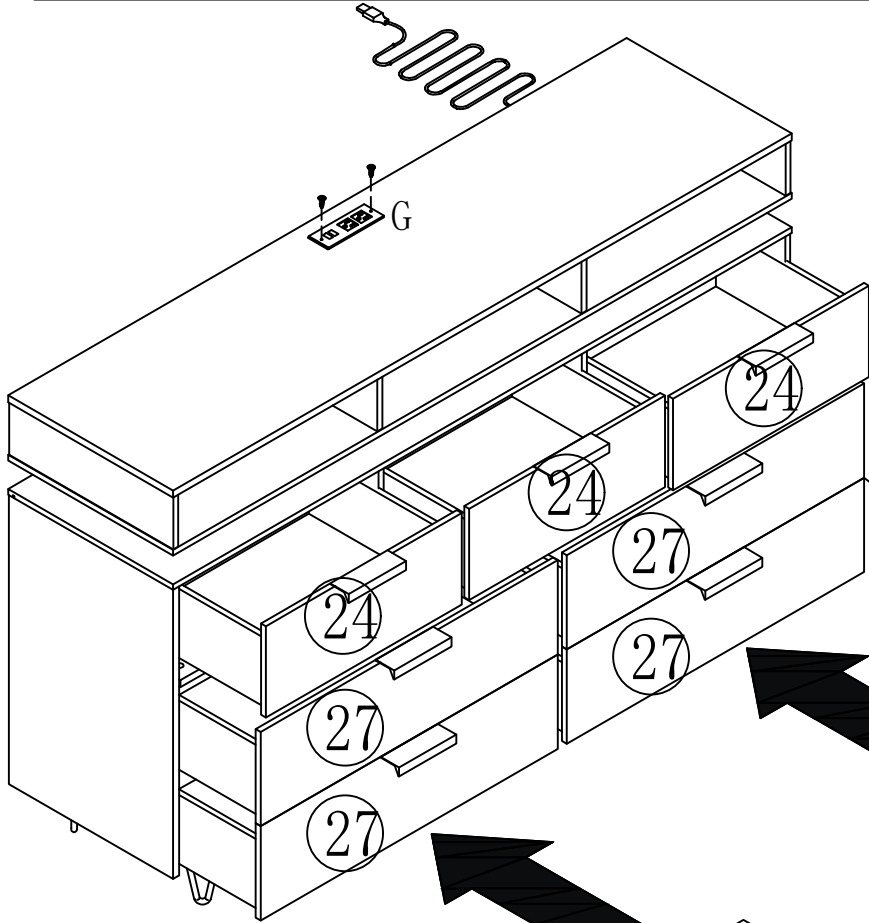


15

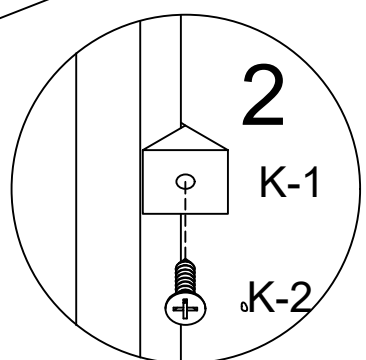
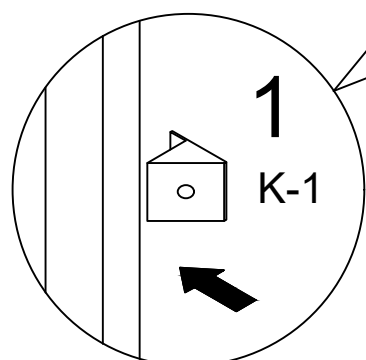
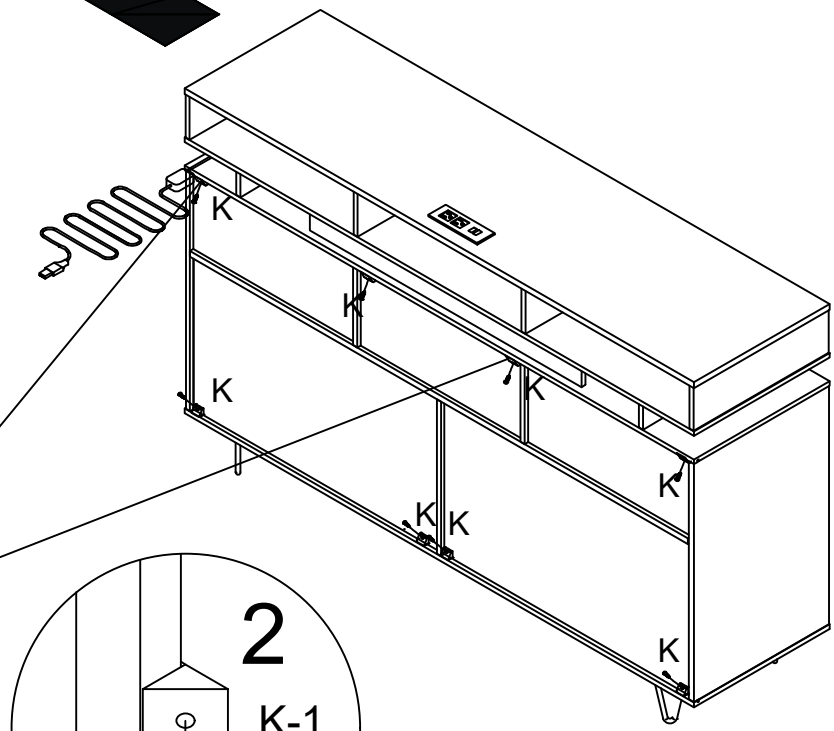
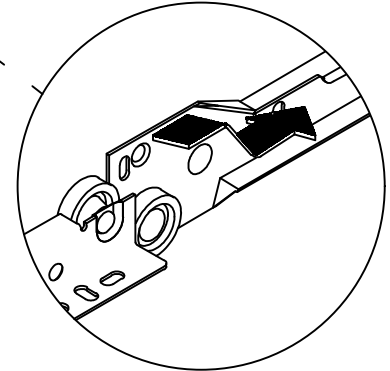
B x 8  Ø15*9 mm	CX8  Ø6 x 30 mm	 
--	--	---



16



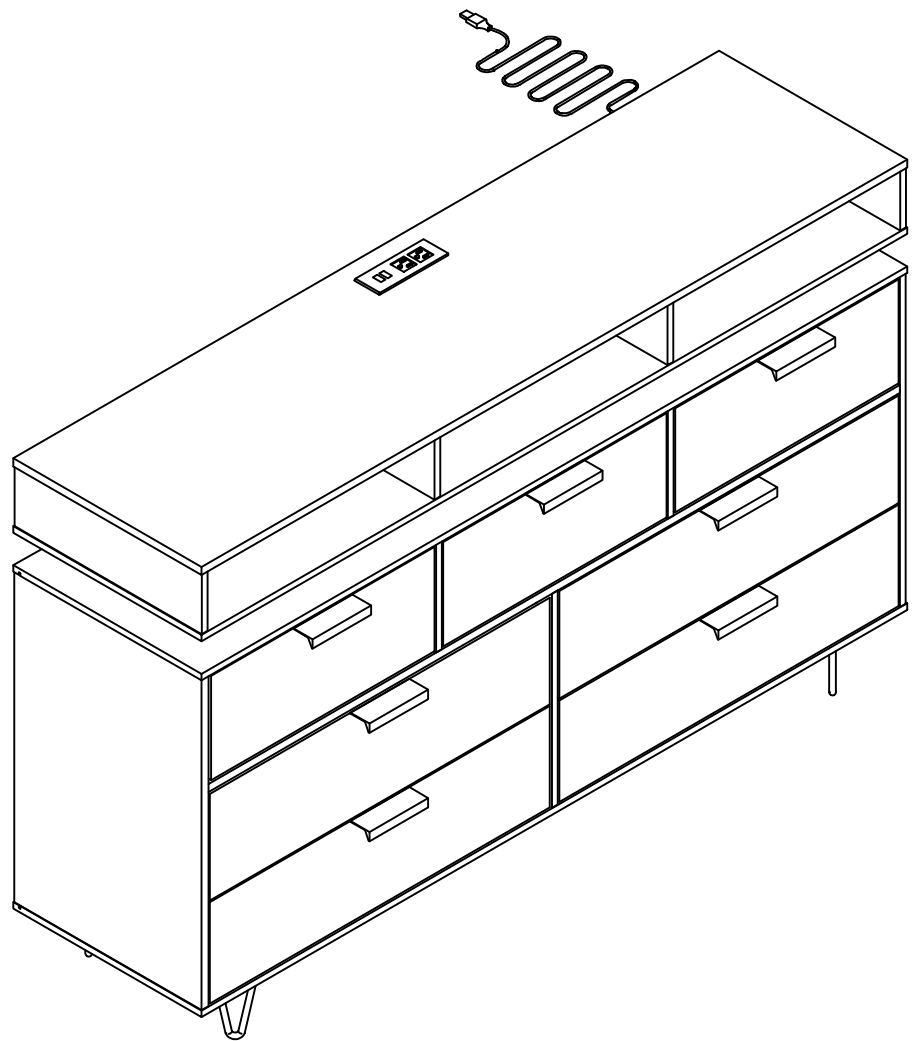
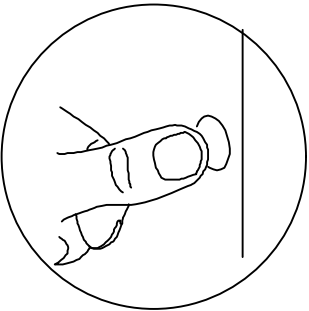
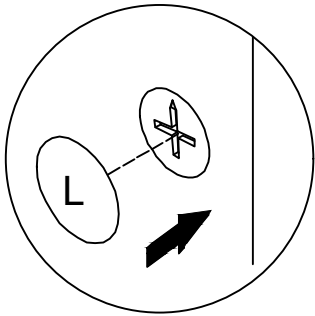
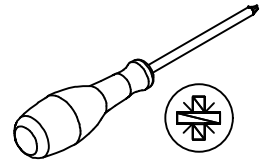
Drawer Slide

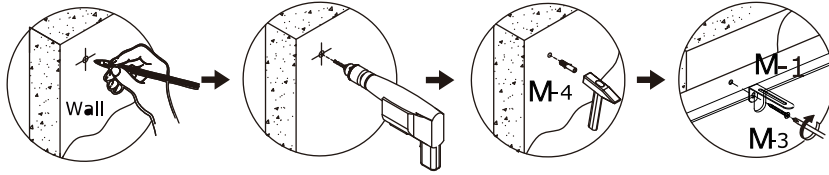
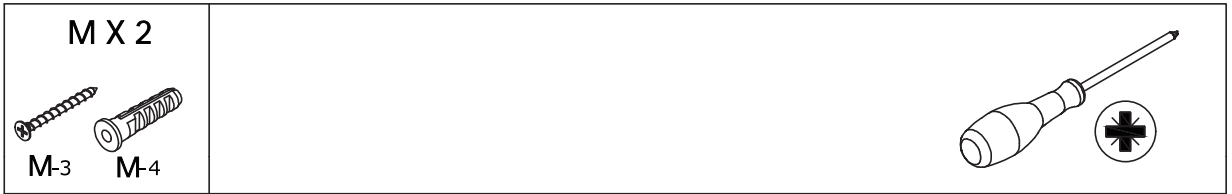


Note: If the hardware I is not installed, it will cause the product shake not firm. Be sure to install back plate buckles as required

17

L x70

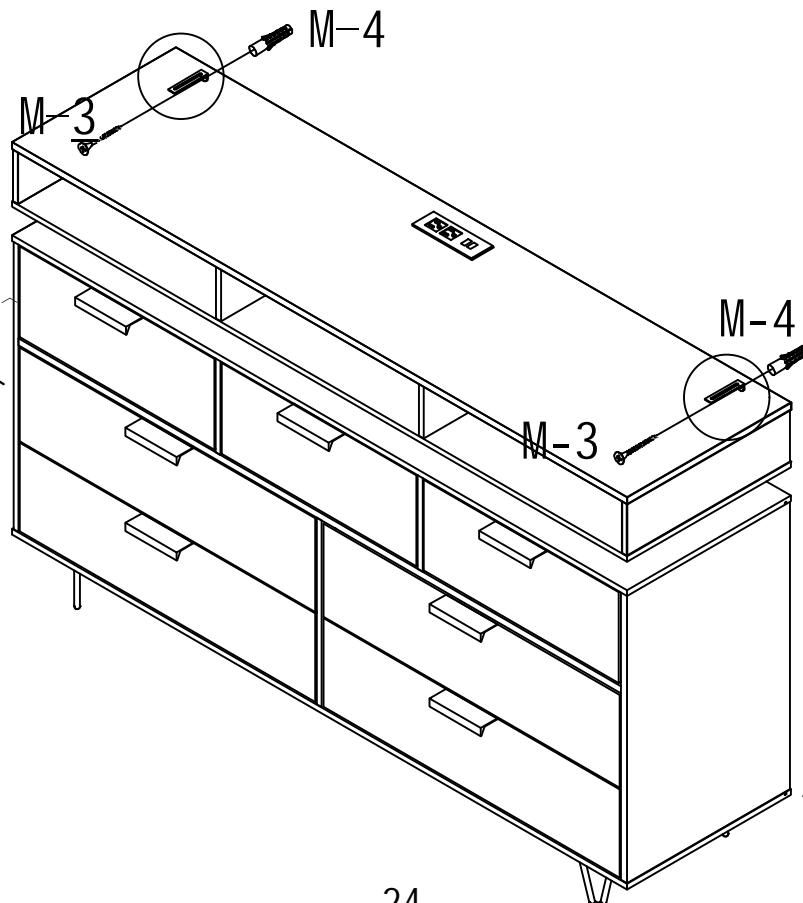




A solid wall	B cavity wall	C solid wood
Φ6mm (1/4)	Φ6mm (1/4)	Φ3mm (1/8)

⚠ Warning: If you overturn the furniture, it may cause serious or fatal crushing injuries. We have a wall connection device attached, please use it to hold the furniture following these instructions.

1. Mark the corresponding hole positions where you want to place the furniture;
2. Use a impact drill to drill holes and pay attention to avoid wires and water pipes;
3. Knock the expansion pipes into the wall holes;
4. Place the furniture in the corresponding position and tighten the wall connection device with screws, and Lock the M-2 screw tightly.

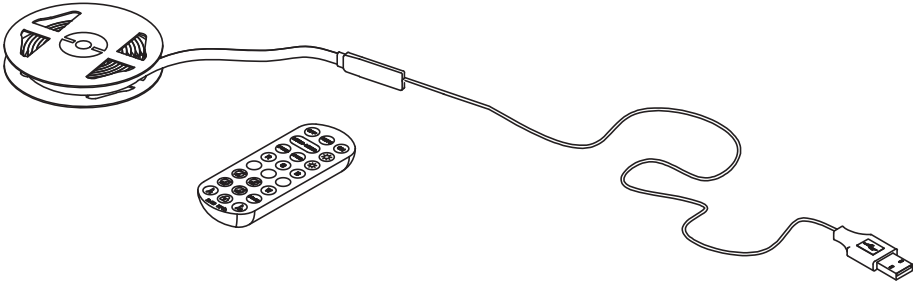




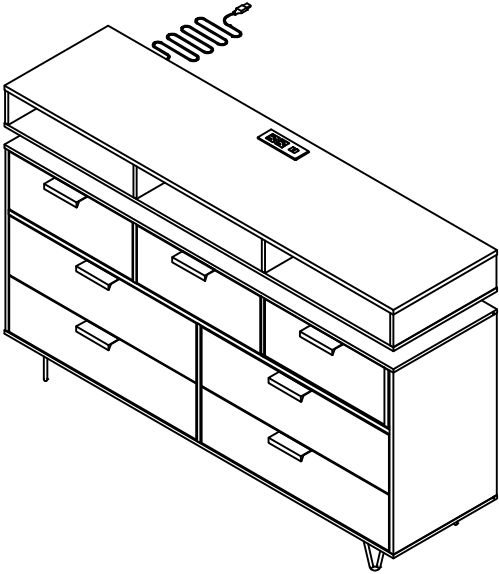
-LED lamp with effective remote control distance of 5 meters



1. Take out the remote control gasket



2. Align remote controller to the RGB Control box to adjust the color mode



- Installat on comp e e.
