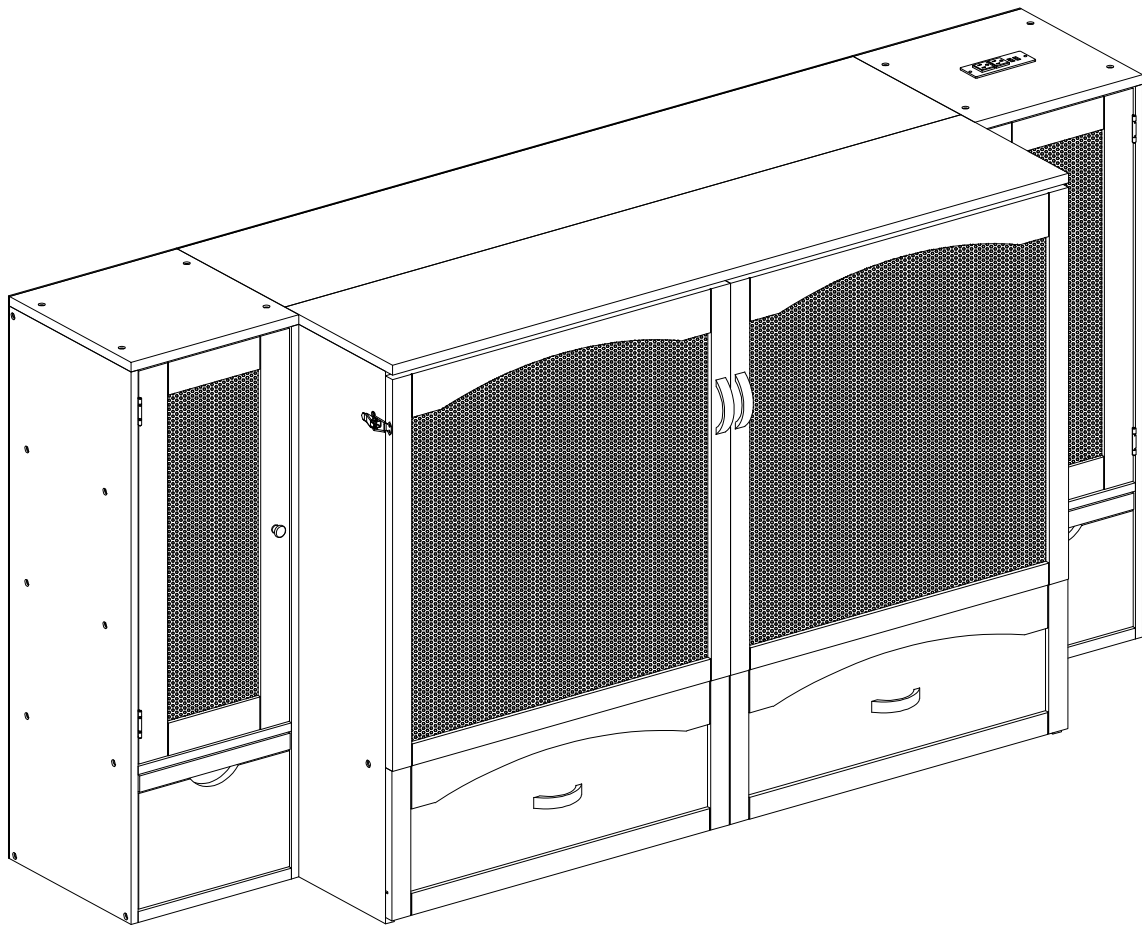


ASSEMBLY INSTRUCTIONS

QUEEN SIZE

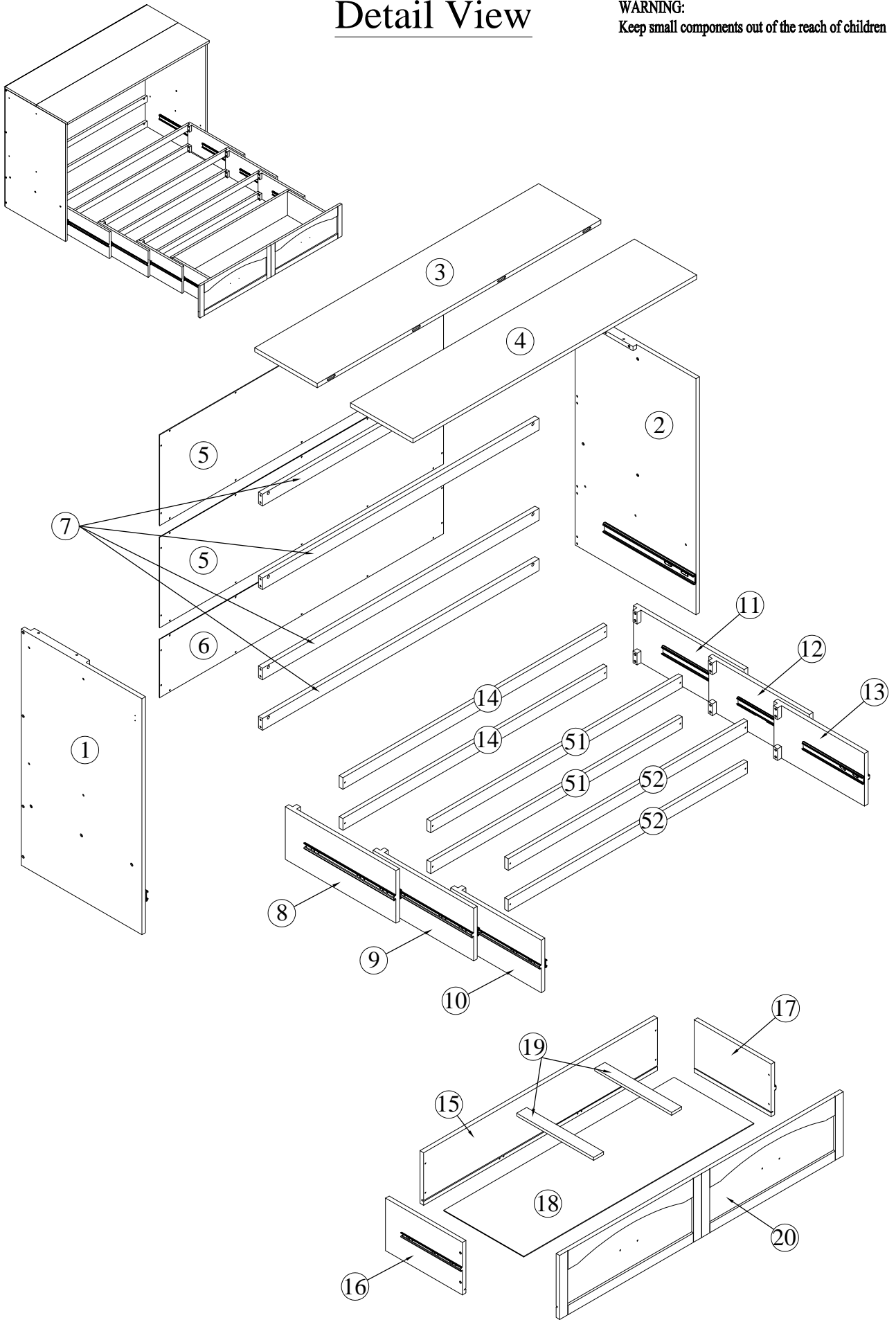


This set is included 3 boxes if don't receive full 3 boxes please contact our customer service team.

WF326316/17/18

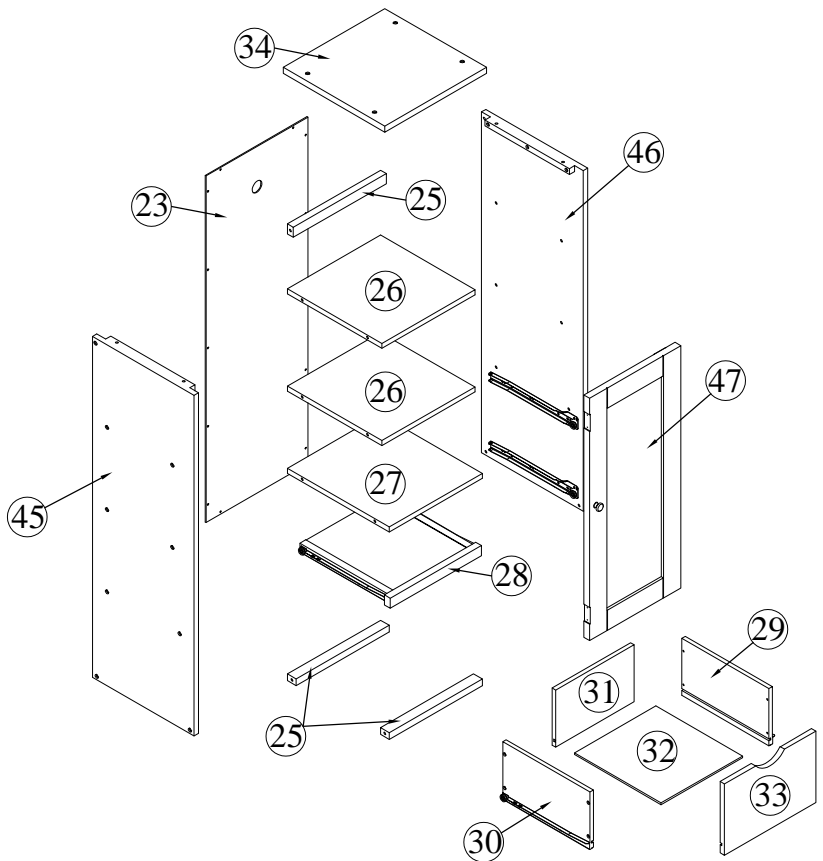
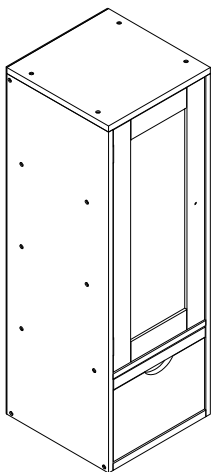
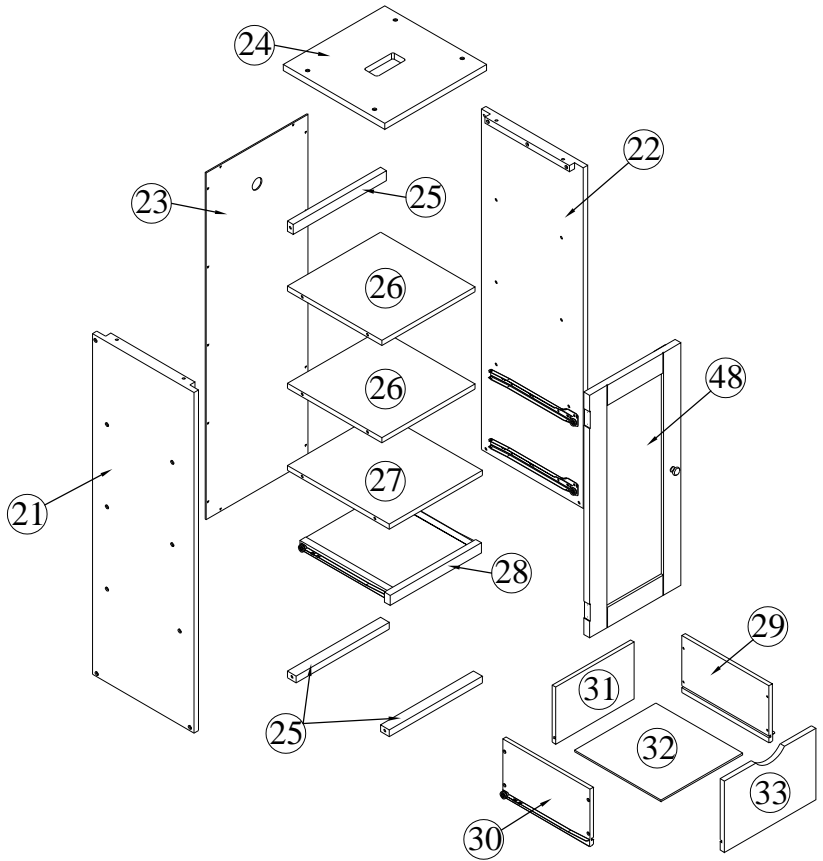
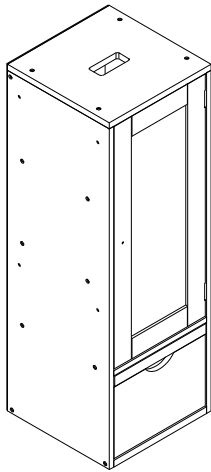
Detail View

WARNING:
Keep small components out of the reach of children



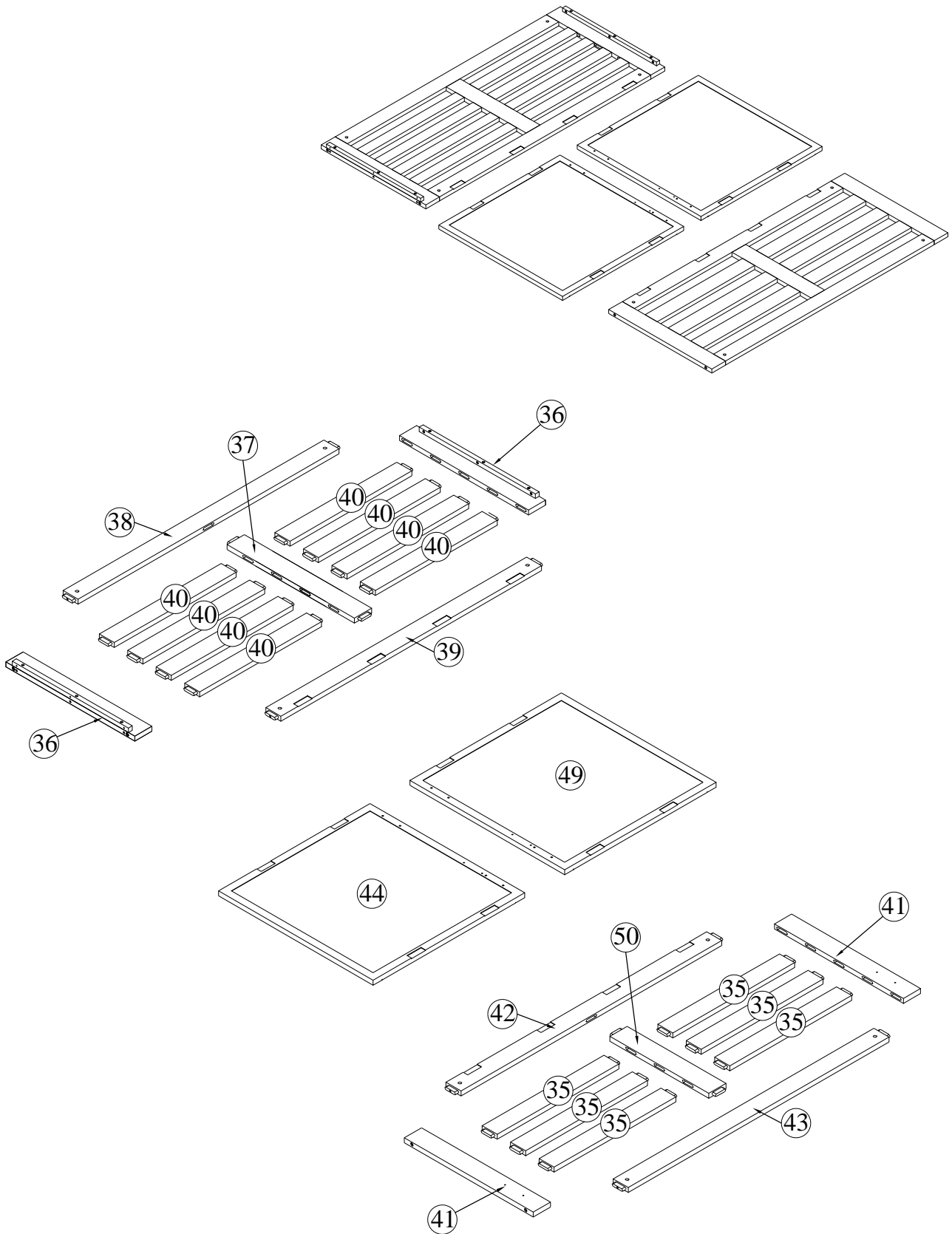
Detail View

WARNING:
Keep small components out of the reach of children

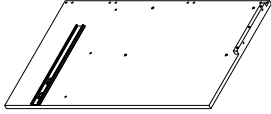
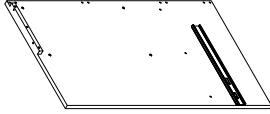
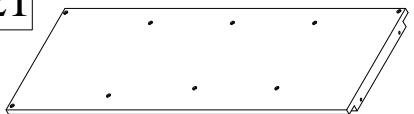
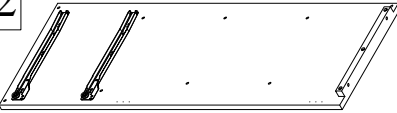
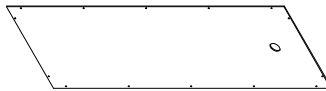
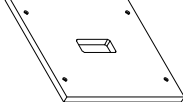
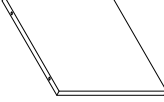
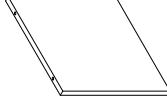
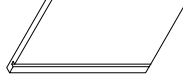
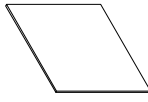
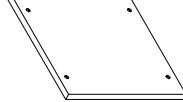
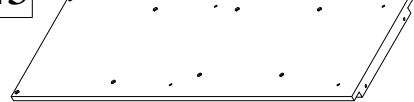
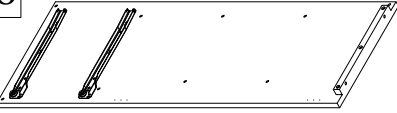


Detail View

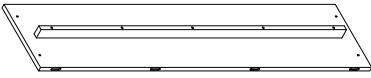
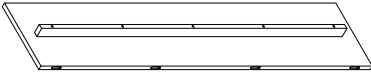

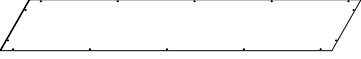
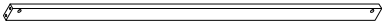

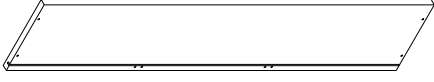
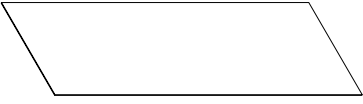
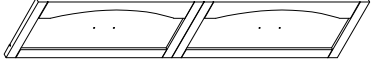



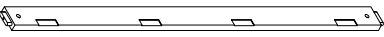

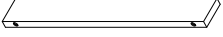
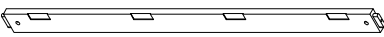
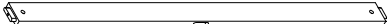

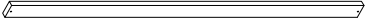

WARNING:
Keep small components out of the reach of children



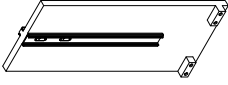
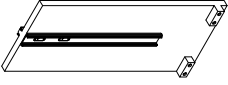
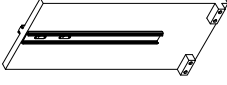





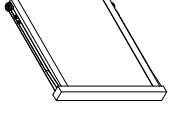
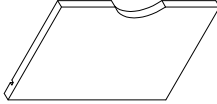

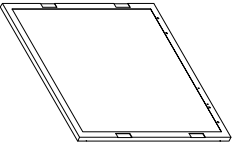
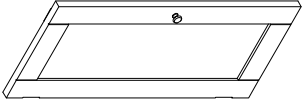
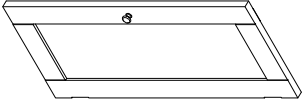
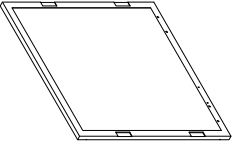


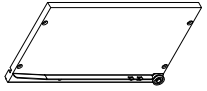

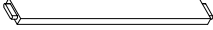
Part List : WF326316

1		2		21	
	Right Hip Plank - 1pc		Left Hip Plank - 1pc		Left Hind Leg - 1pc
22		23		24	
	Left Hip Plank - 1pc		Cabinet backboard - 2pcs		The top of the cabinet - 1pc
26		27		31	
	Shelves - 4pcs		Partition board - 2pcs		Bottom Board - 2pcs
32		34		45	
	Box bottom board - 2pcs		The top of the cabinet - 1pc		Left Hind Leg - 1pc
46					
	Left Hind Leg - 1pc				

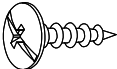
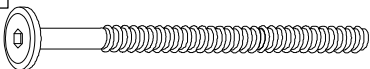

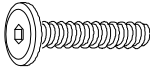

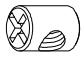
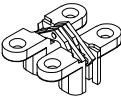

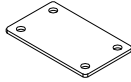
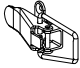


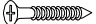

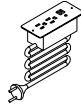
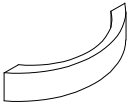
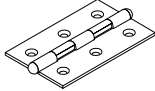
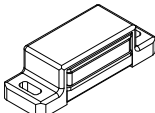



Part List : WF326317

3		4		5	
	Rear Roof Board - 1pc		Front Roof Board - 1pc		Upper Backboard - 2pcs
6		7		14	
	Lower Queen Board - 1pc		Quizzes - 4pcs		Pull frame rear puzzle - 2pcs
15		18		20	
	Backboard - 1pc		Ván đáy hộp kéo - 1pc		Mặt hộp kéo - 1pc
36		37		38	
	Puzzle along the frame - 2pcs		Puzzle along the middle - 1pc		Quiz outside - 1pc
39		40		41	
	Quiz outside - 1pc		Puzzle along the middle - 4pcs		Puzzle along the frame - 2pcs
42		43		51	
	Outer frame puzzle - 1pc		Quiz outside - 1pc		Pull frame rear puzzle - 2pcs
52		35			
	Pull frame rear puzzle - 2pcs		Puzzle along the middle - 4pcs		

Part List : WF326318

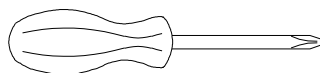
8		9		10	
Side pull plank Left 1 - 1pc		Side plank pulling Left 2 - 1pc		Side plank pulls Left 3 - 1pc	
11		12		13	
Right pull hip board 1 - 1pc		Hip board pulled right 2 - 1pc		Hip board pulled right 3 - 1pc	
16		17		28	
Left hip plank - 1pc		Right hip plank - 1pc		Drawer board - 2pcs	
33		19		44	
Pocket face board - 2pcs		Fix the bottom of the drawer - 2pcs		Frame assembly - 1pc	
47		48		49	
Door - 1pc		Door - 1pc		Frame assembly - 1pc	
50		25		29	
Door - 1pc		Door - 1pc		Frame assembly - 1pc	
30		40			
Drawer side - 2pcs		Puzzle along the middle - 4pcs			

Hardware List : WF326318

A	B	C
		
Screw # 3.5 x 15mm - 78pcs	Hex-head bolt - Ø1/4" x 100mm - 8pcs	Hex-head bolt - Ø1/4" x 25mm - 8pcs
D	E	F
		
Hex-head bolt - Ø1/4" x 50mm - 8pcs	Hex-head bolt - Ø1/4" x 30 mm - 54pcs	Horizontal-hole bolt - 1/4 x 15 mm - 16pcs
G	H	I
		
Negative Margin Table - 4pcs	Wheels - 10pcs	Piece of Iron - 2pcs
J	K	L
		
Lock In - 2pcs	External Key - 2pcs	Screw # 3.5 x 25mm - 78pcs
N	P	Q
		
Screw # 3.5 x 15mm - 68pcs	Screw Handle - 14pcs	USB Power Outlet
R	S	T
		
Iron Grip - 6pcs	Large Margin Table - 8pcs	Department of Sniffing - 2pcs
U	V	W
		
Wooden Handle - 2pcs	K 4 mm - 1pc	Hex-head bolt - Ø1/4" x 15mm - 8pcs

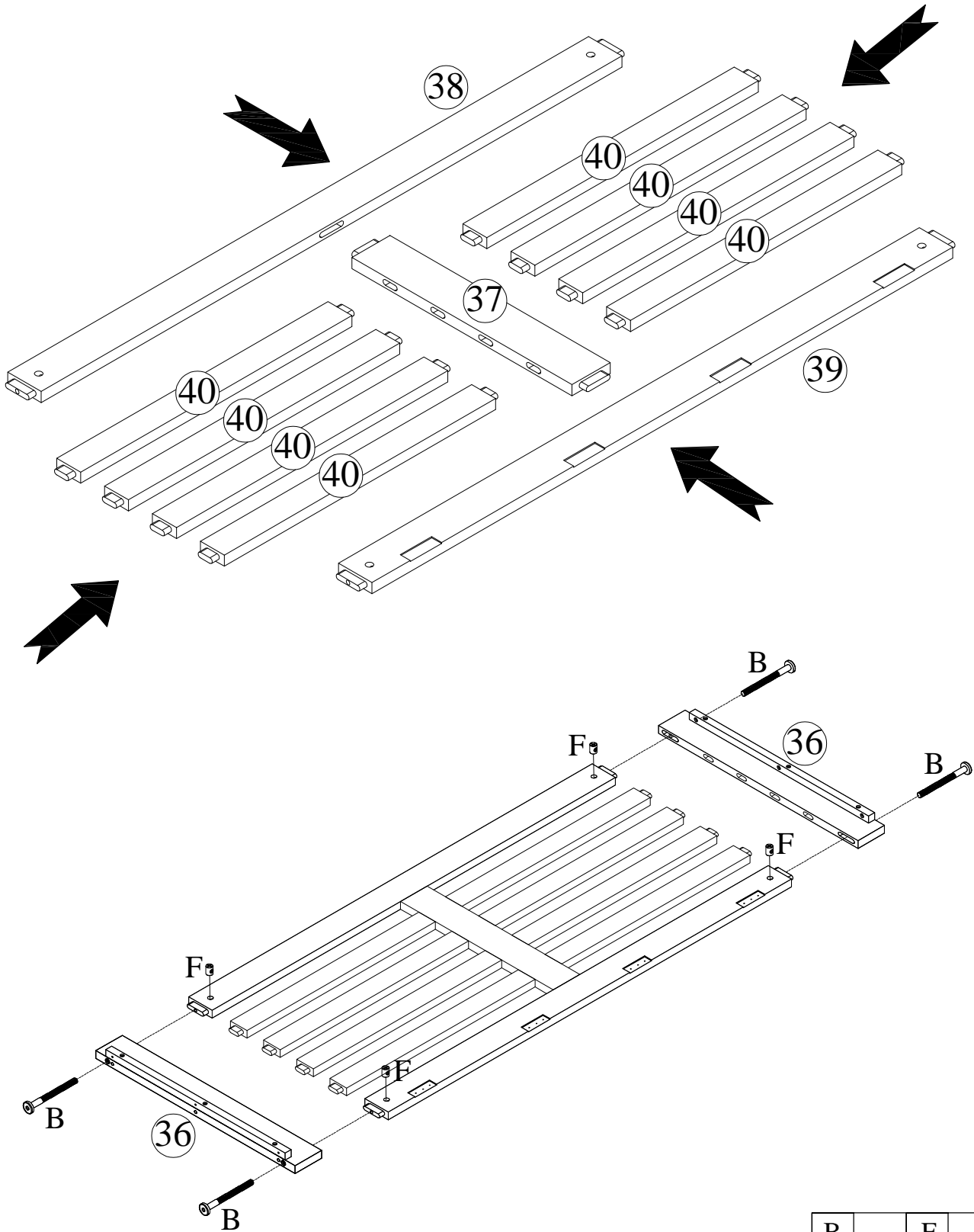
Please sort out all parts before you begin to assembly the item. This is to make sure you always use the correct part.



ASSEMBLY TOOLS REQUIRED (NOT INCLUDED)



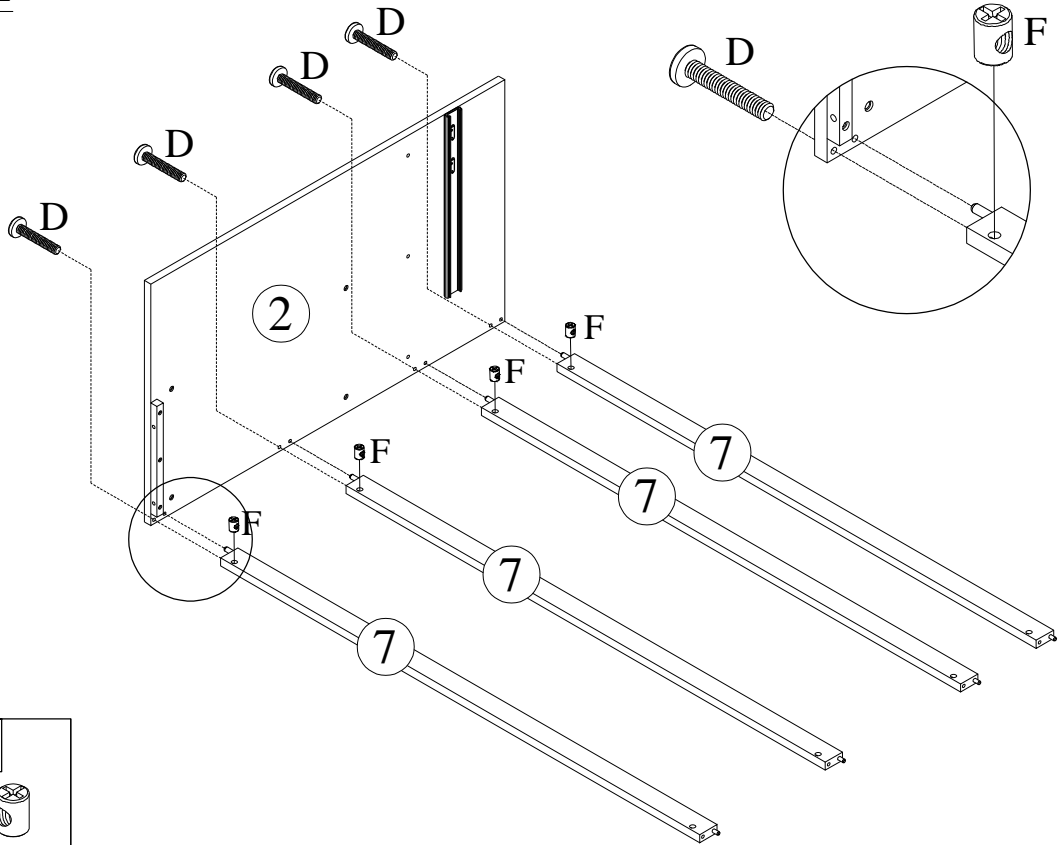
PLEASE BE CAREFUL DO NOT DAMAGE THE HOLE
POSITION WHEN YOU USE POWER TOOLS !



STEP 1



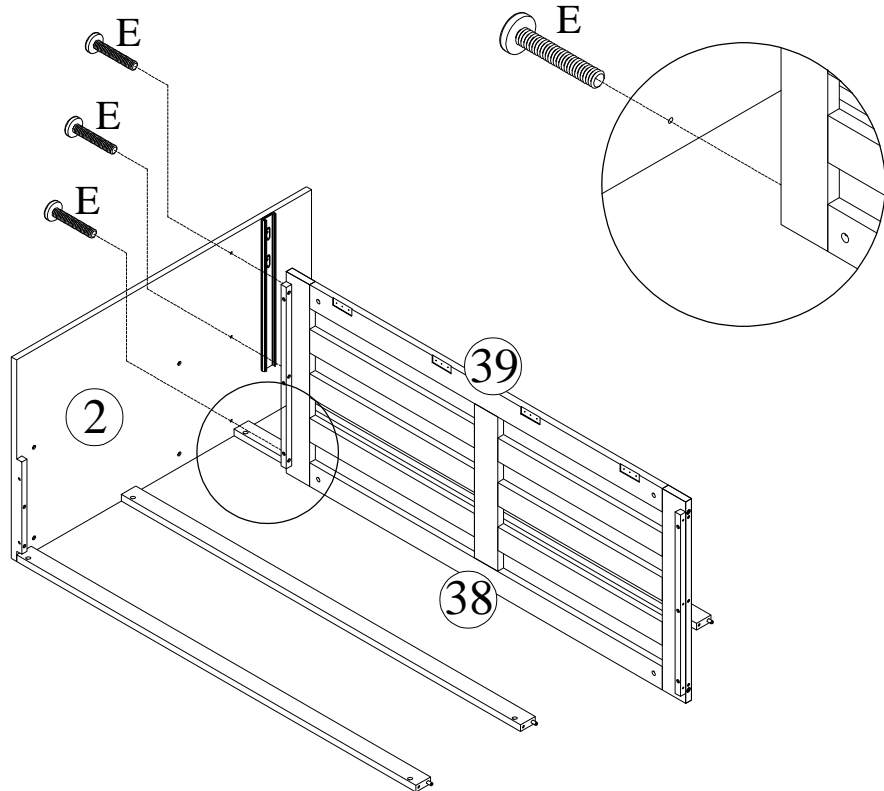
B	F
	
4	4


STEP 2



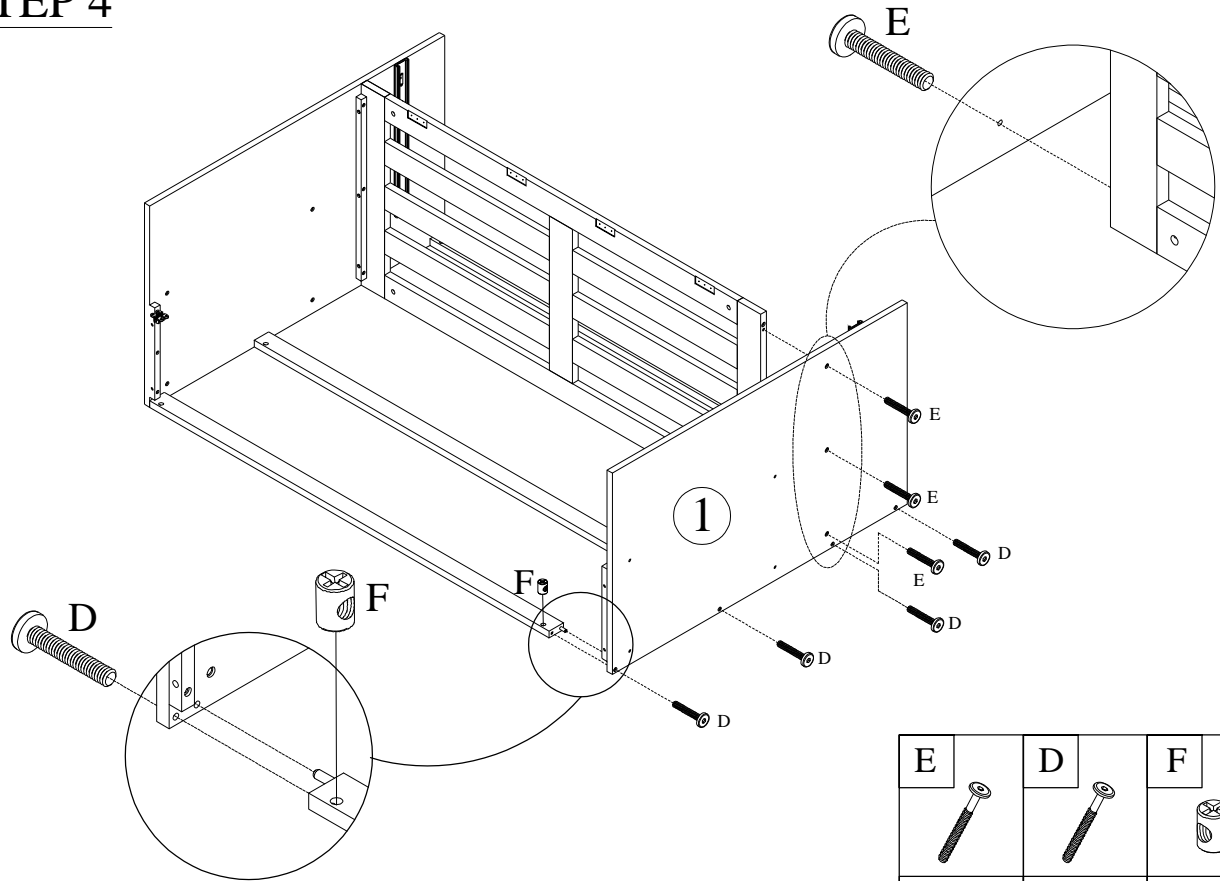
D	F
	
4	4




STEP 3



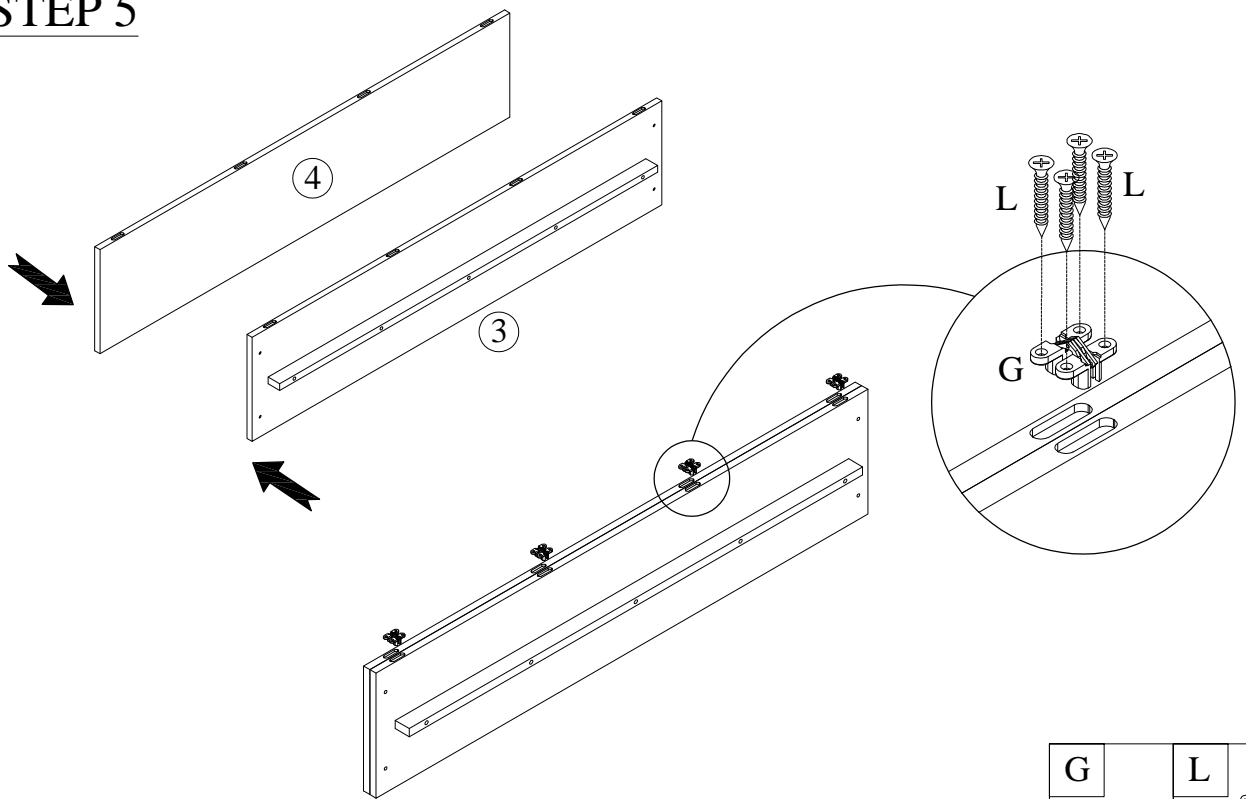
E

3

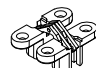

STEP 4



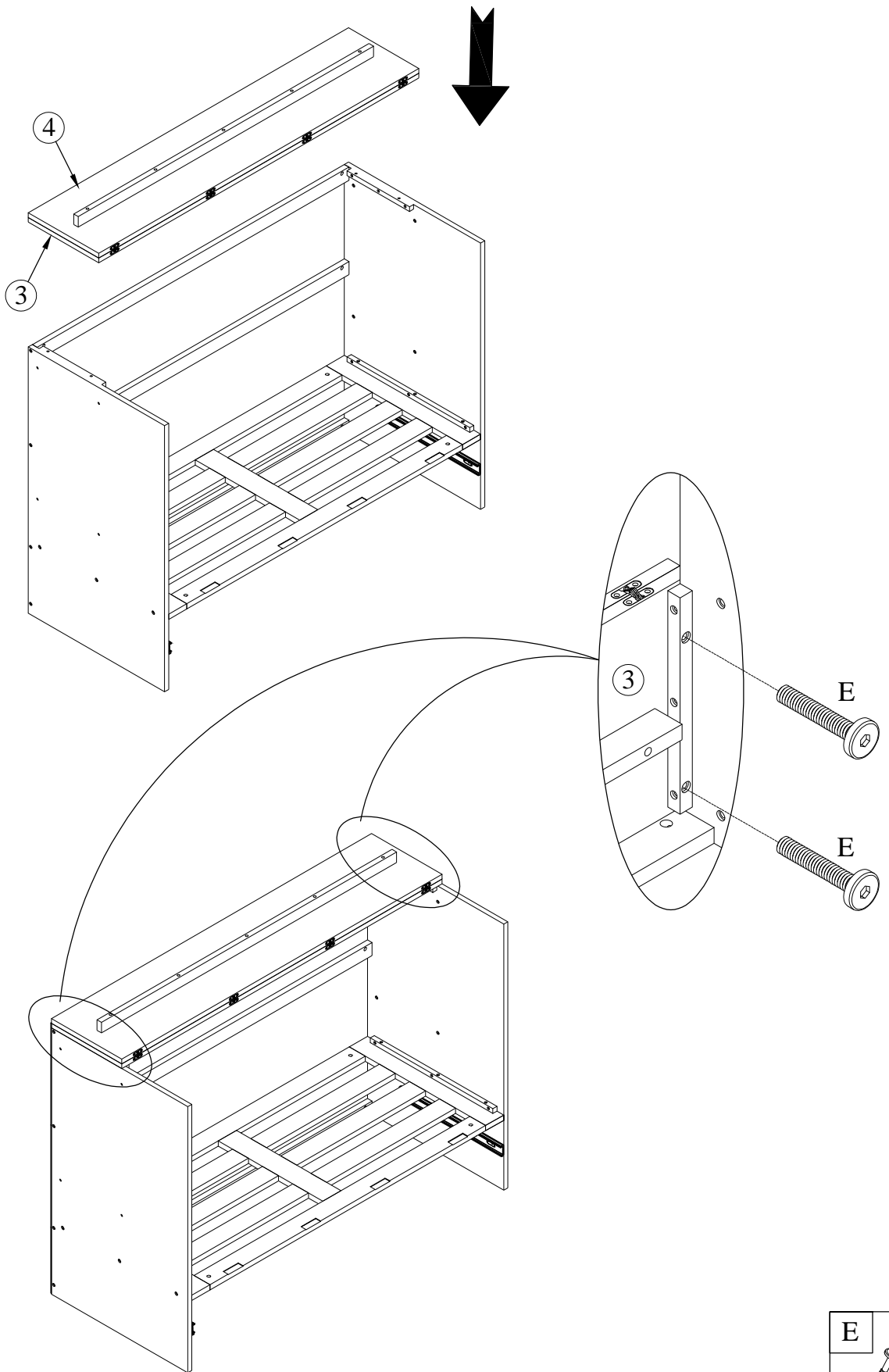
E	D	F
		
3	4	4


STEP 5




G	L
	
4	16

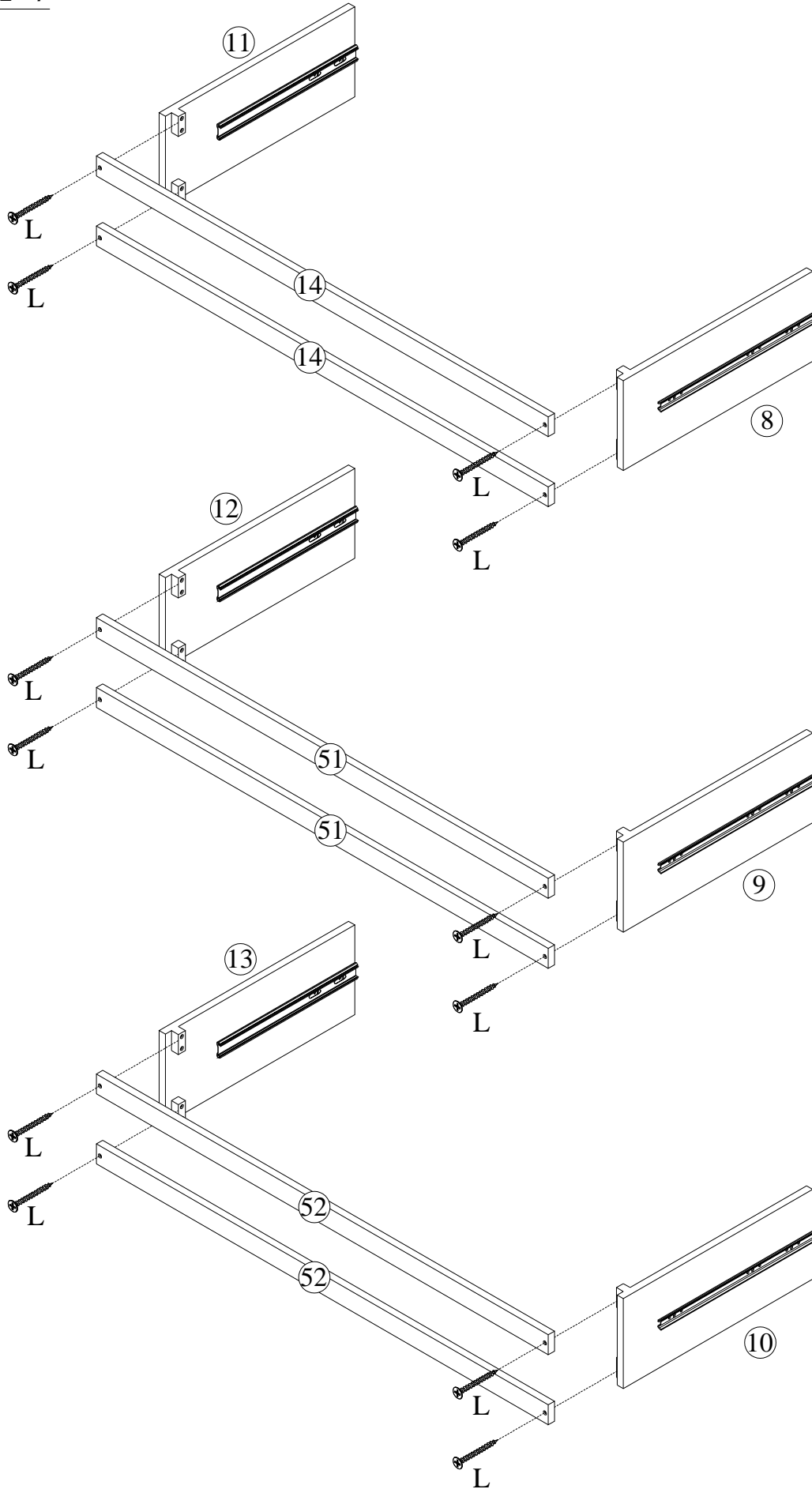
STEP 6



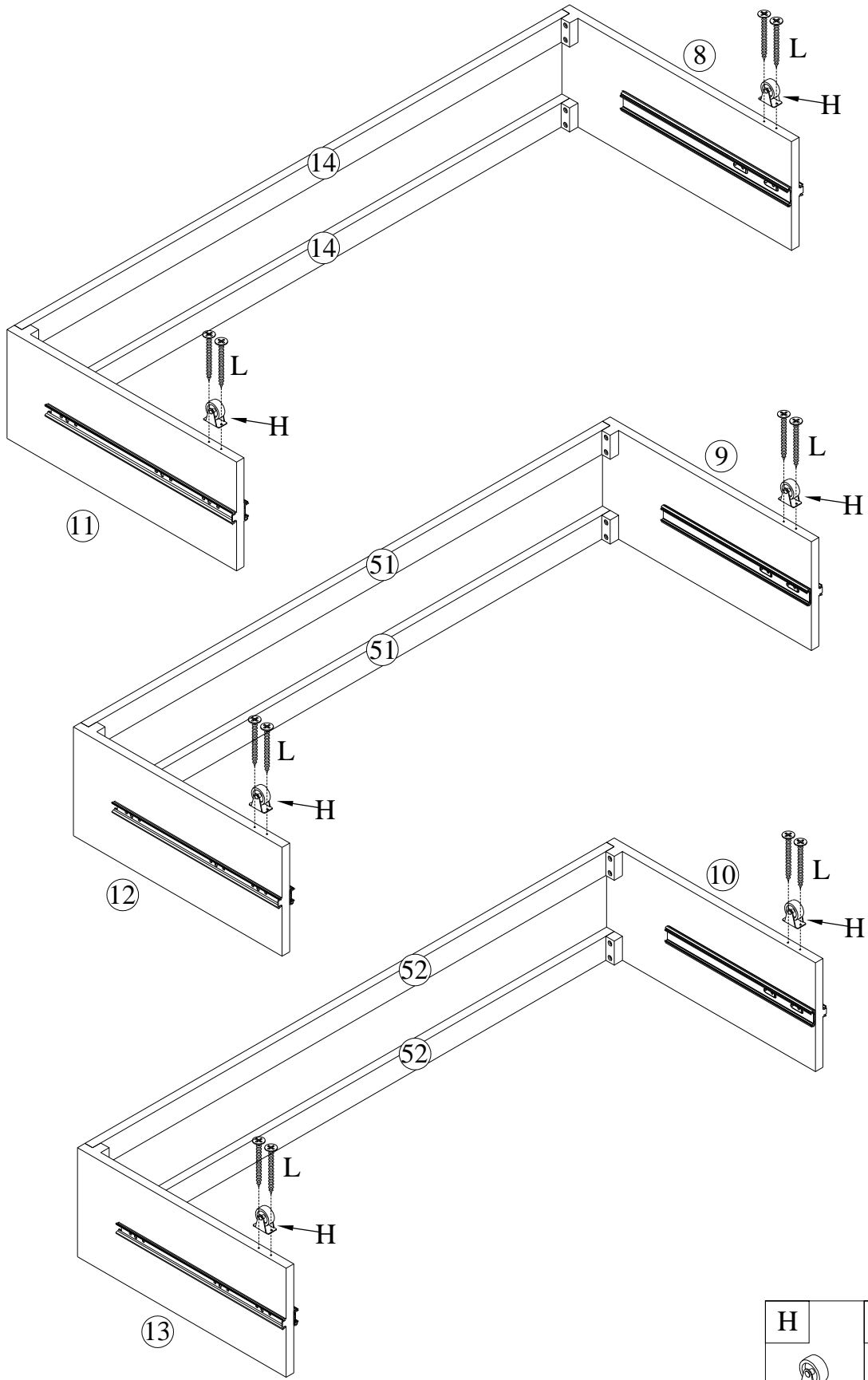
E

4



STEP 7

L

12




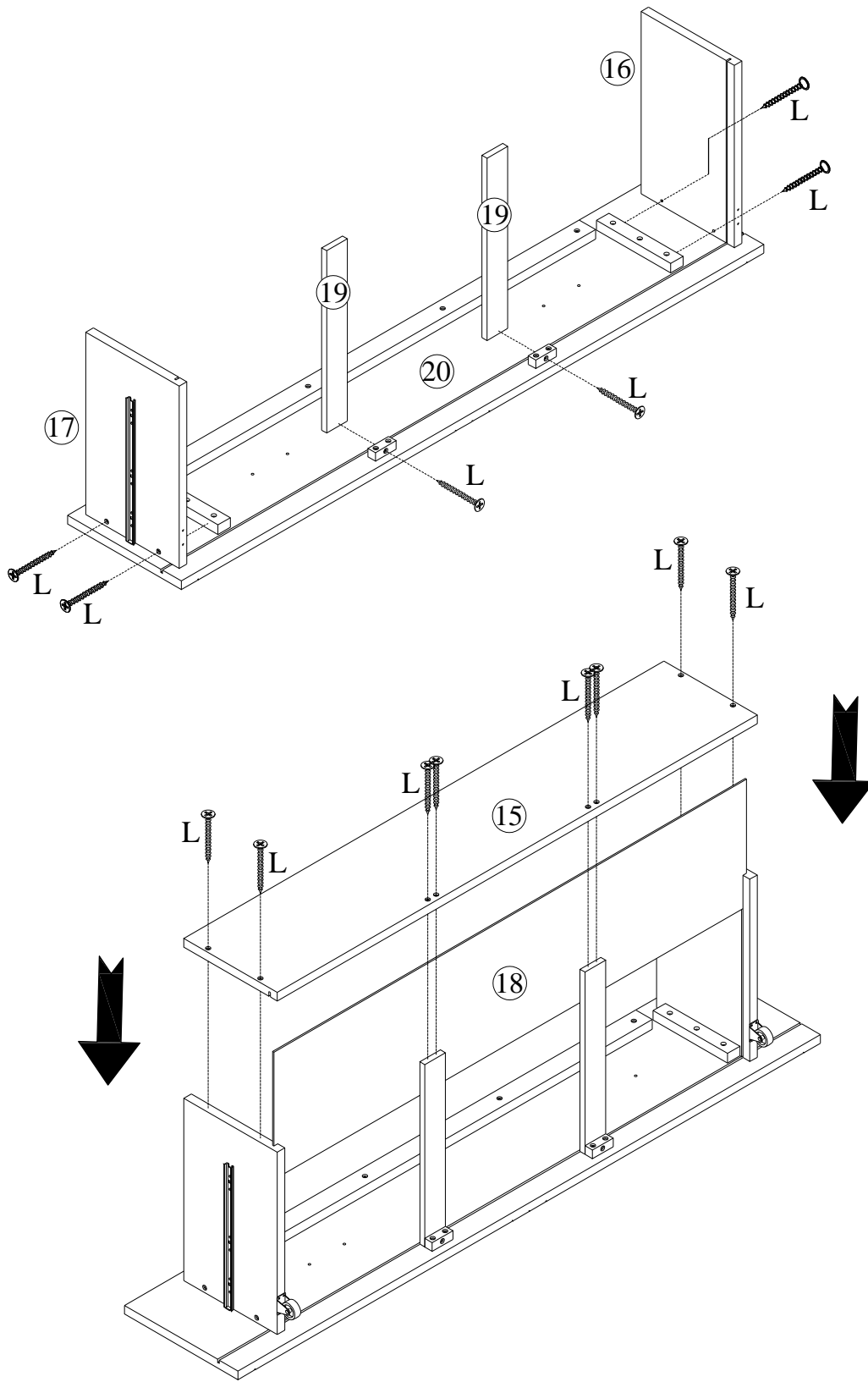
STEP 8



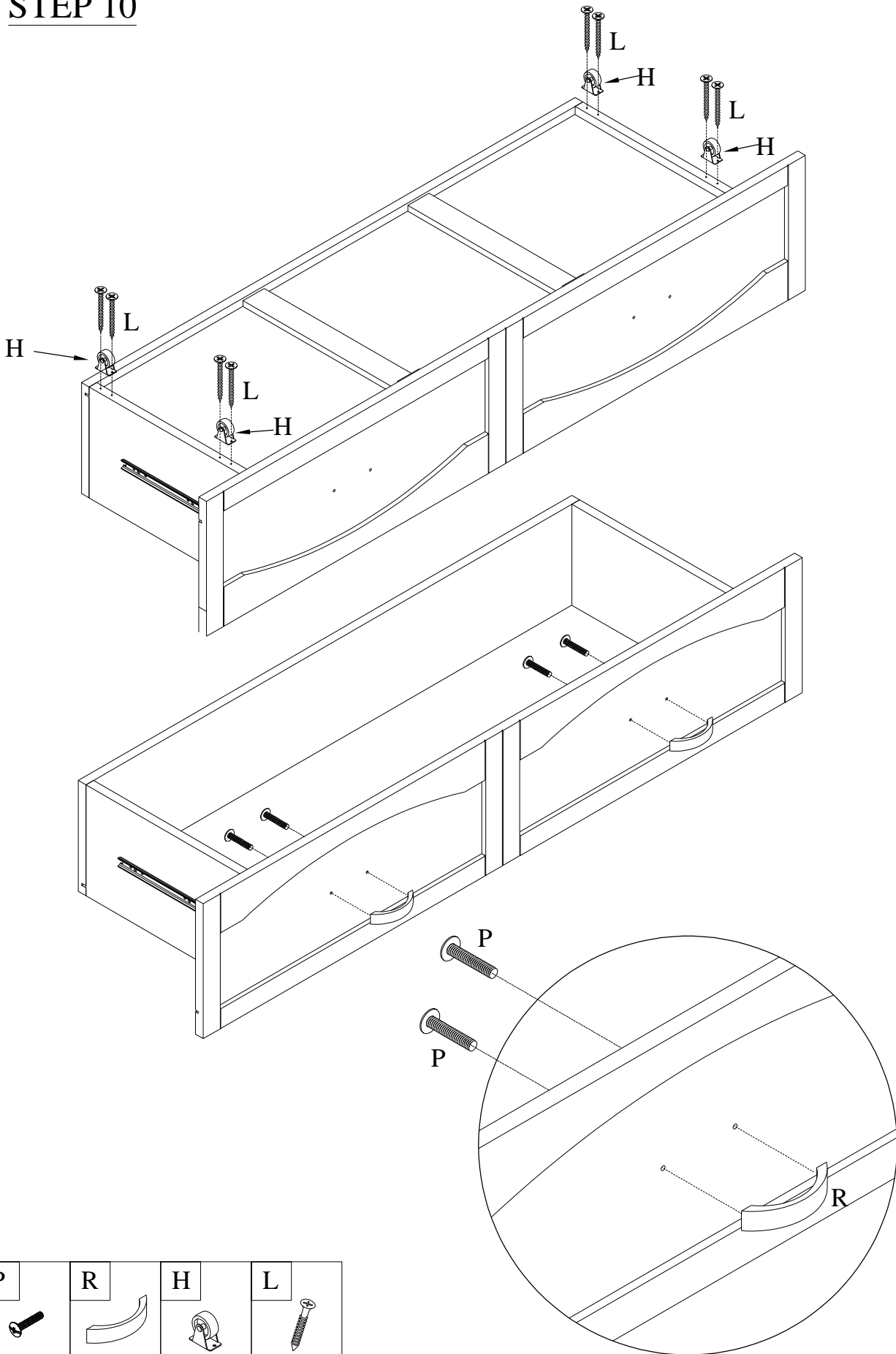
H	L
	
6	12





STEP 9

L

14

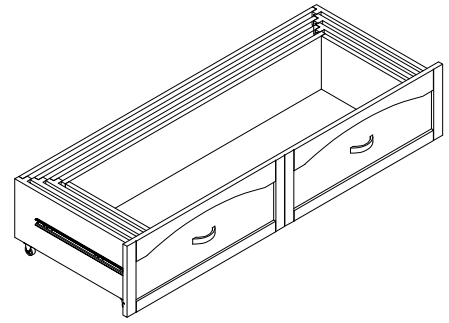


STEP 10

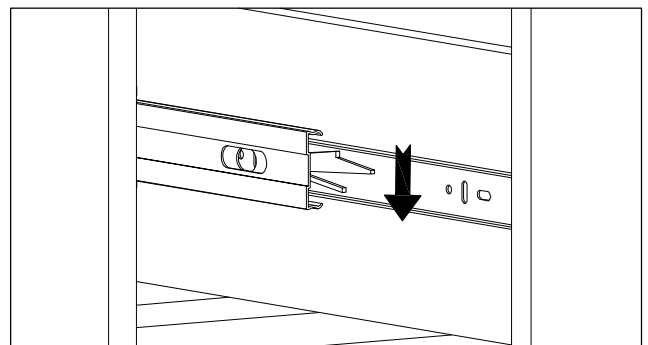
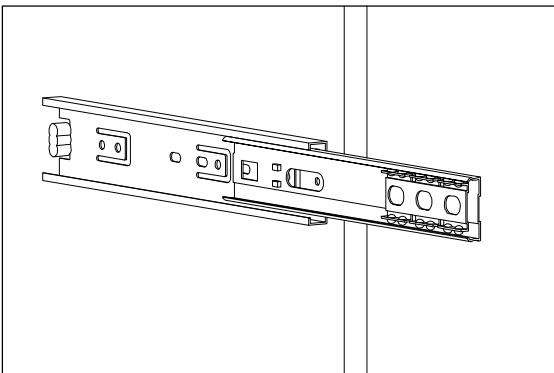
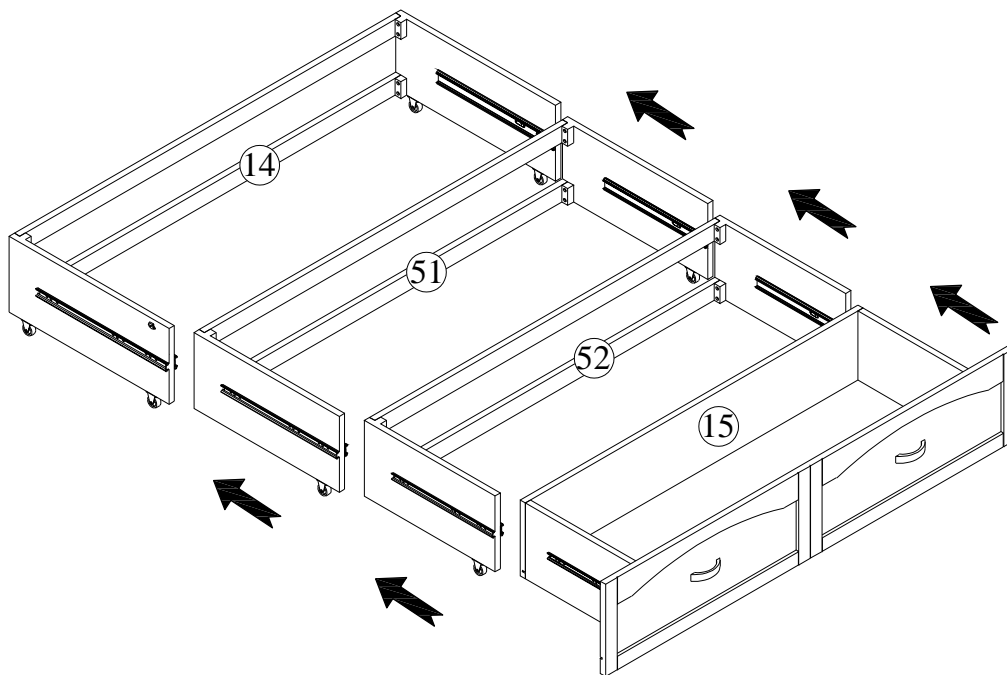


P	R	H	L
			
4	2	4	8

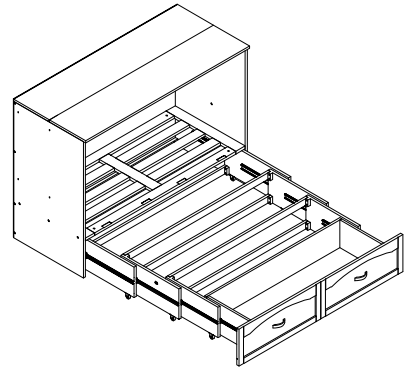
STEP 11



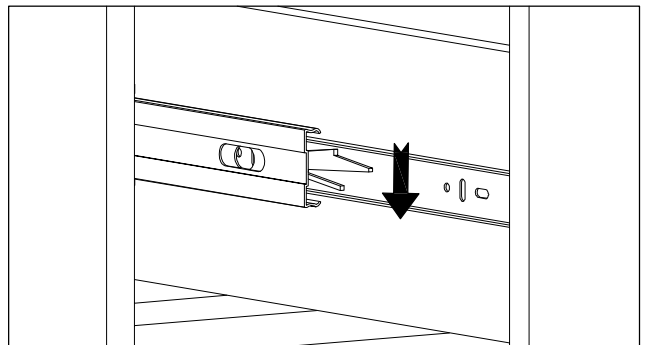
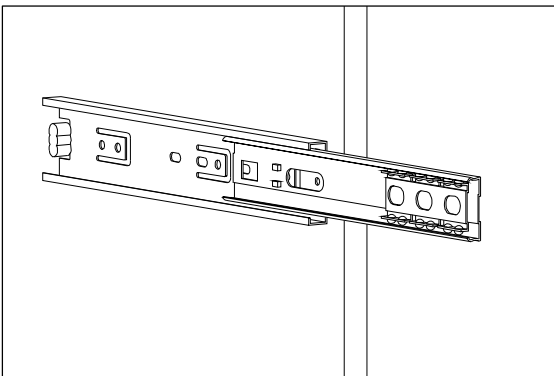
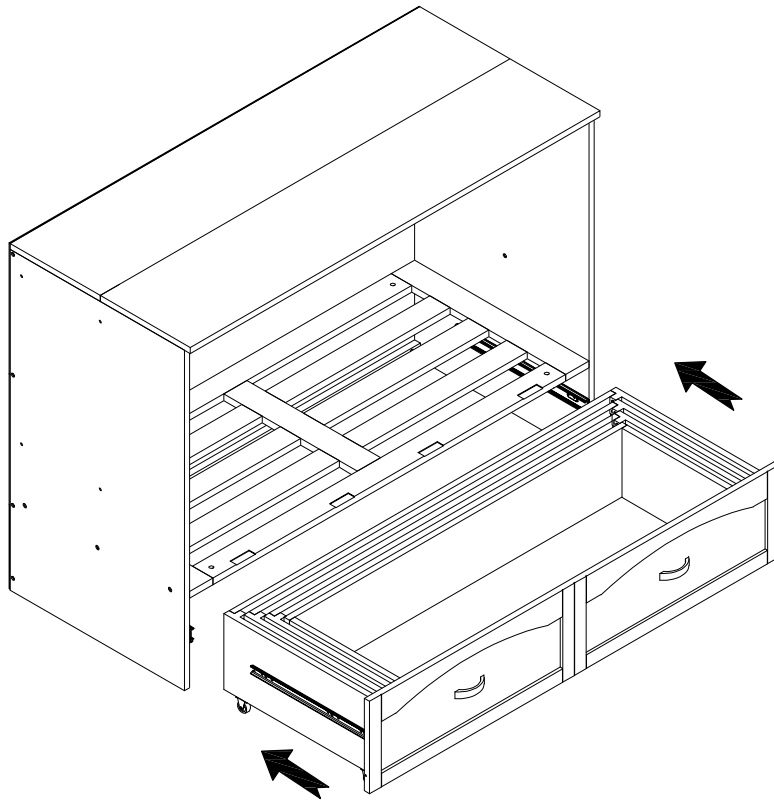
Complete





STEP 12

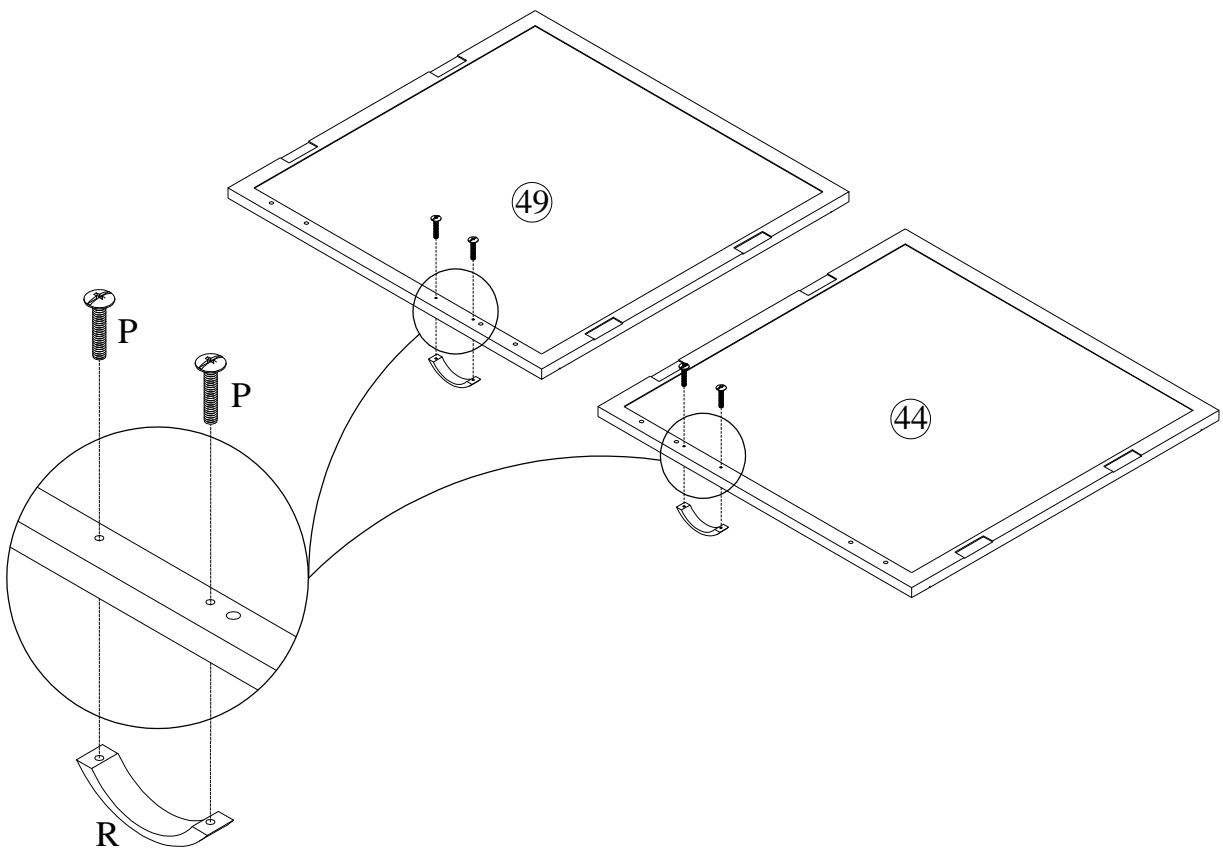


Complete

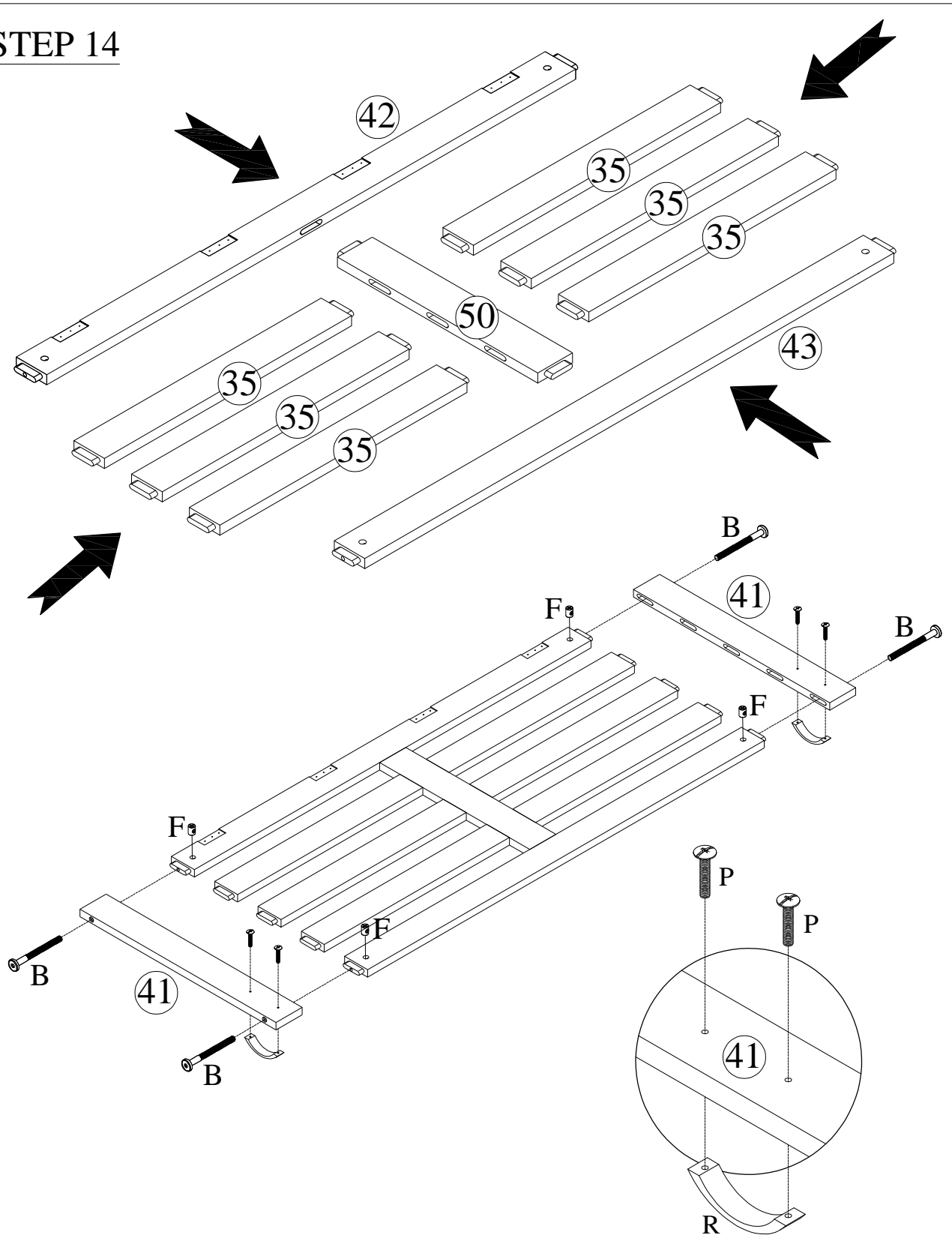






STEP 13

P	R
	
4	2

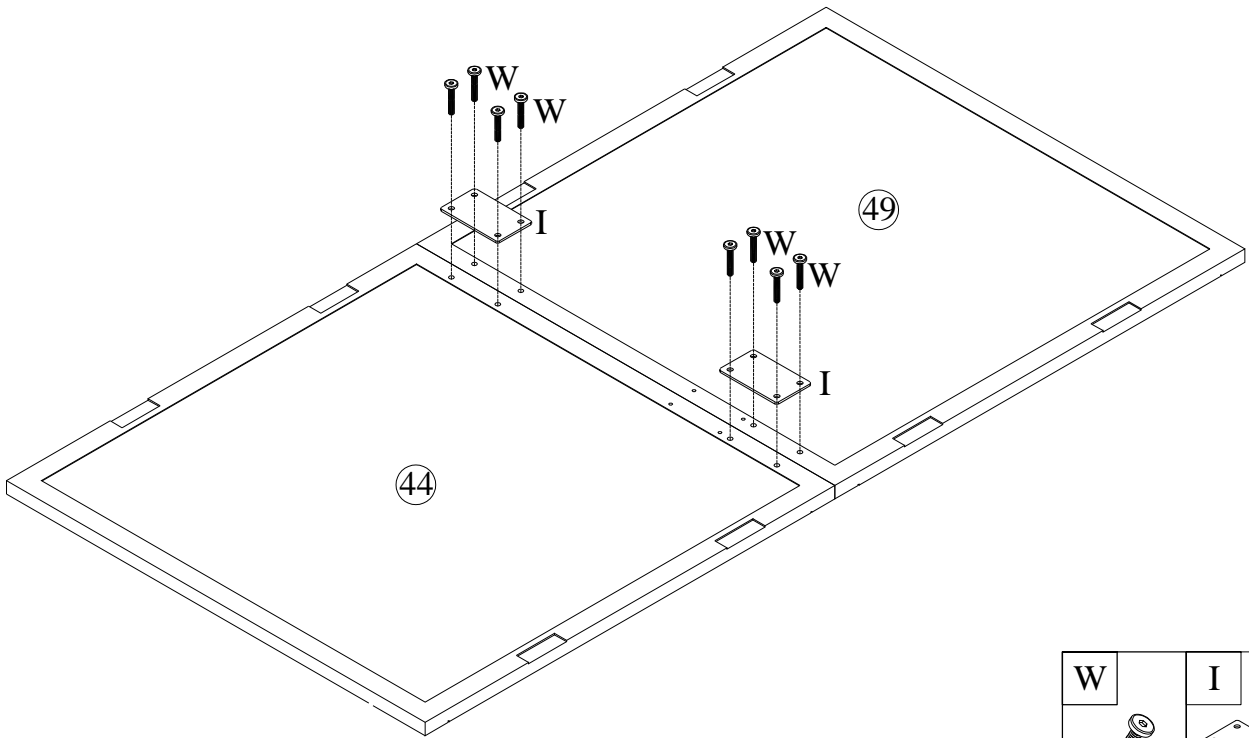



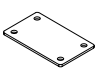
STEP 14



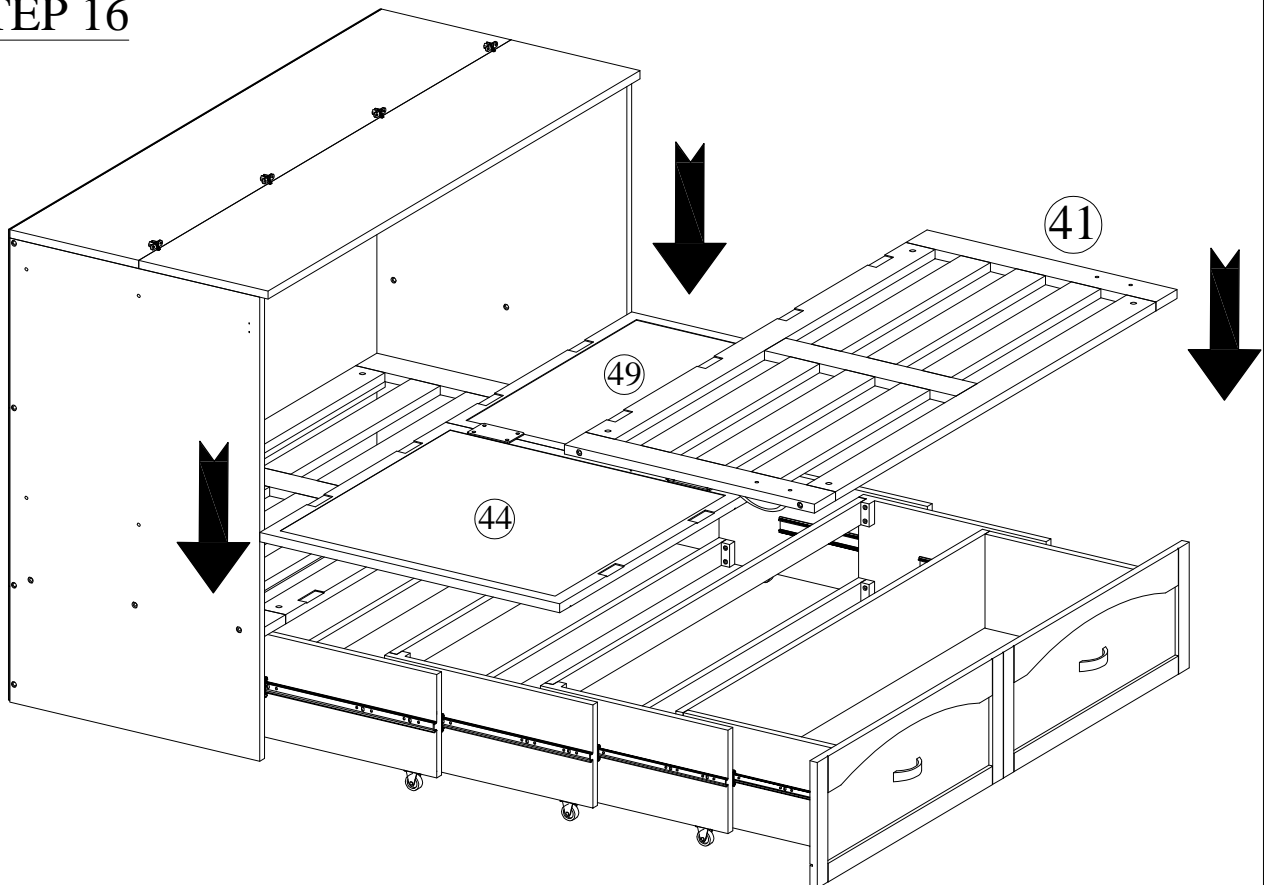
P	R	B	F
			
4	2	4	4

STEP 15

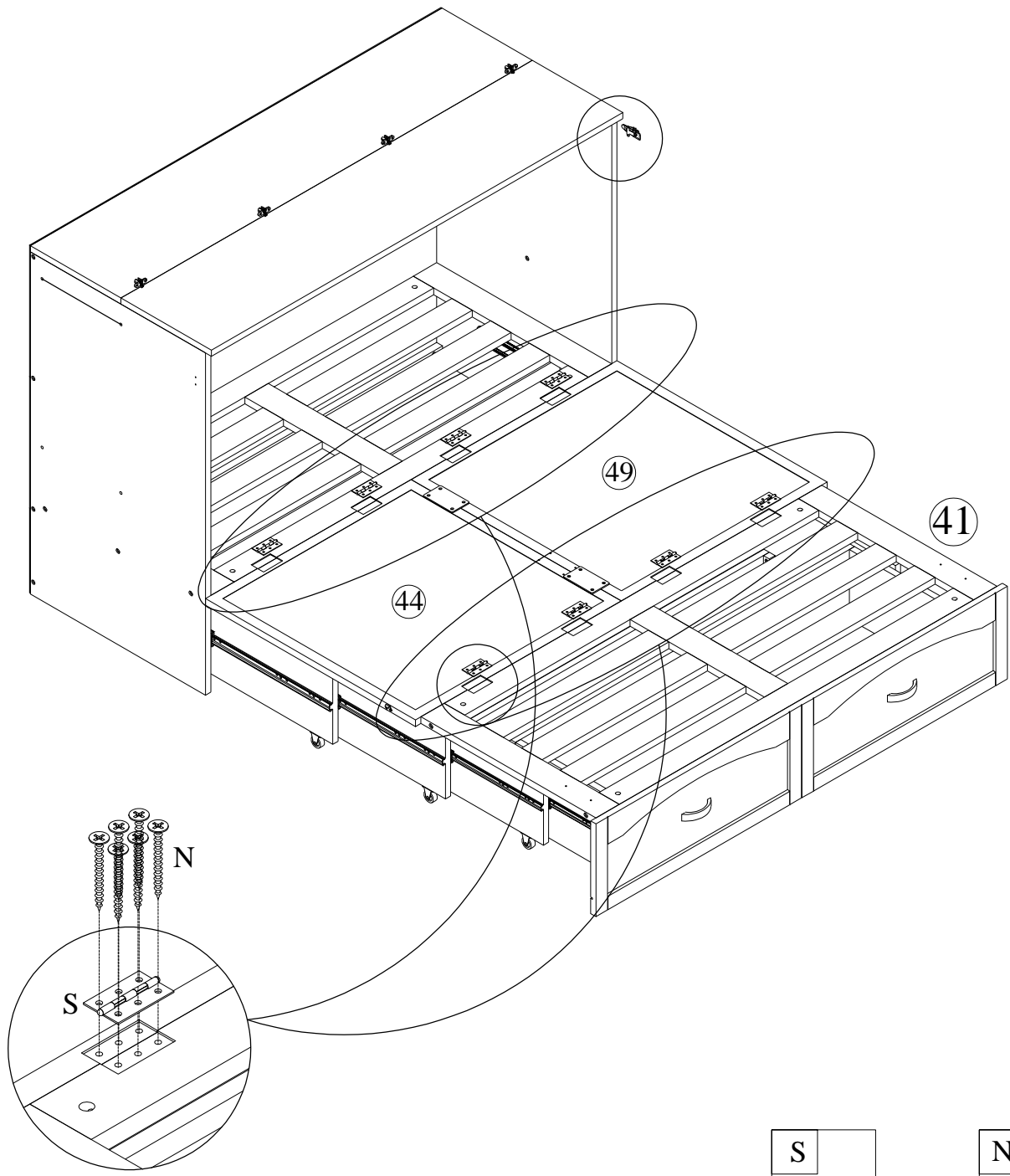


W	I
	
8	2

STEP 16



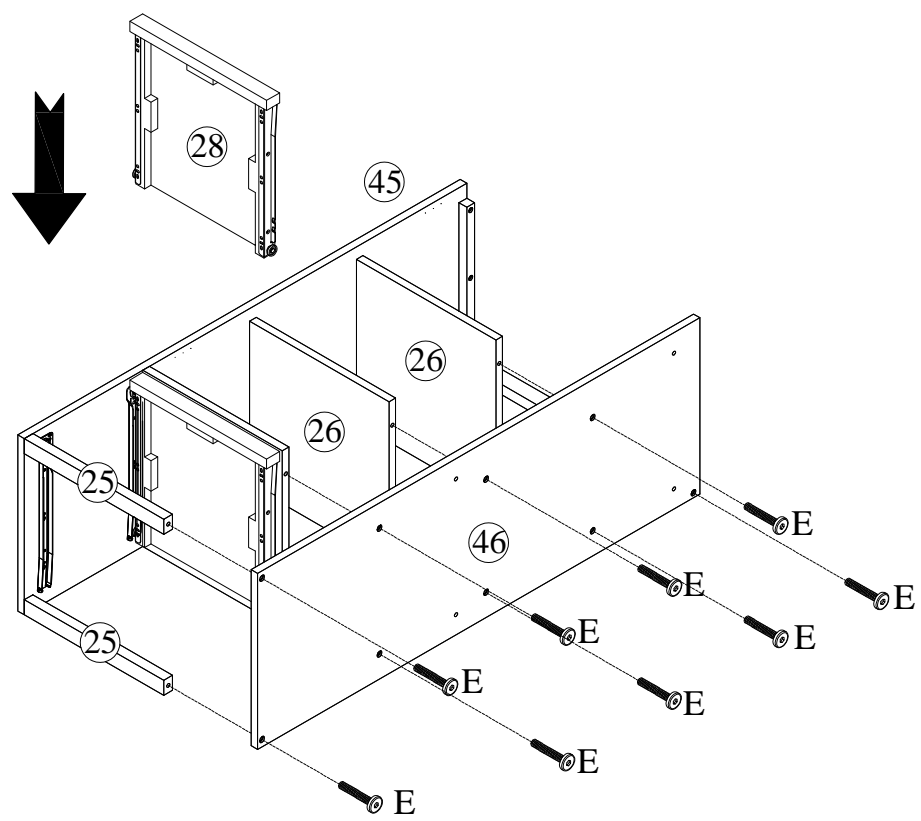
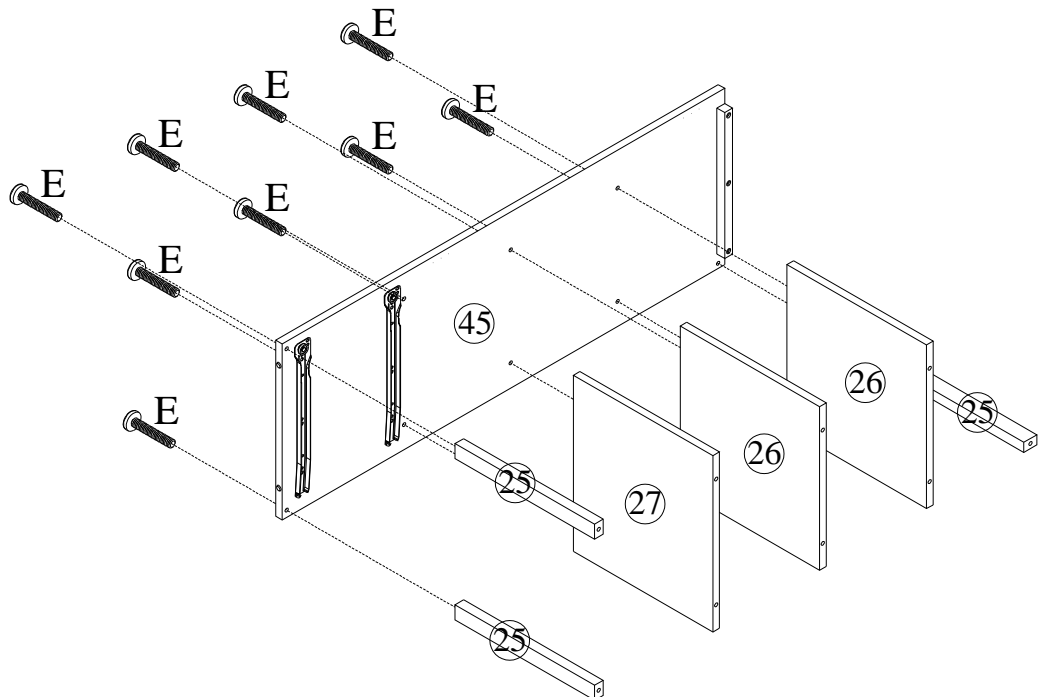
STEP 17




S
8

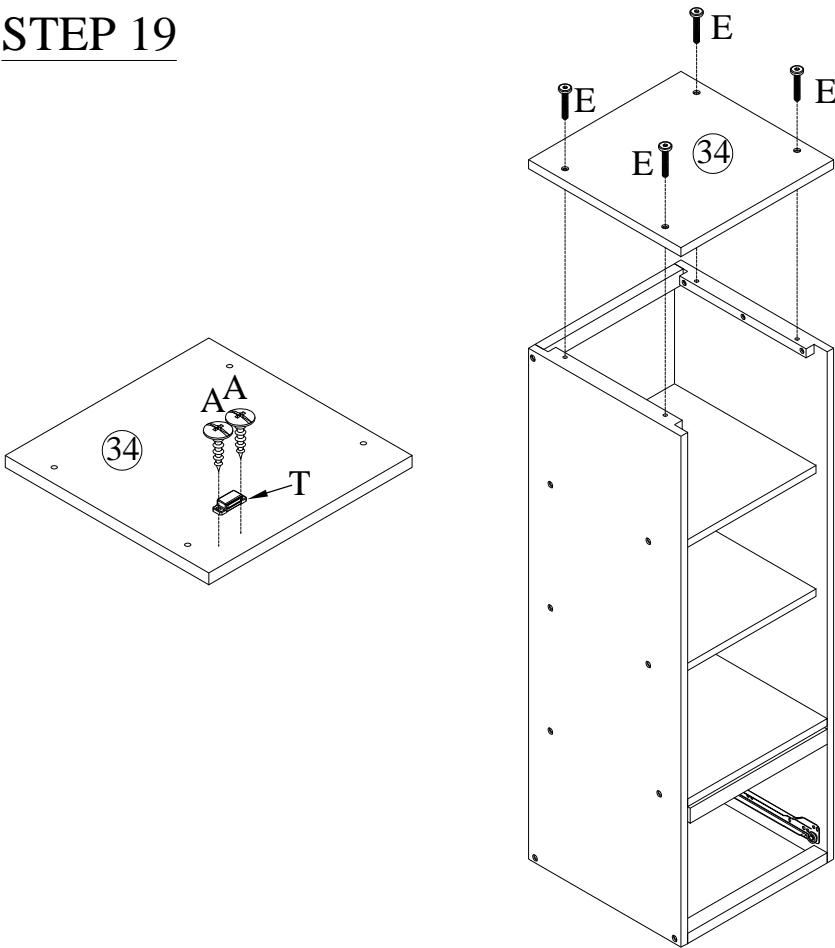
N
52




STEP 18



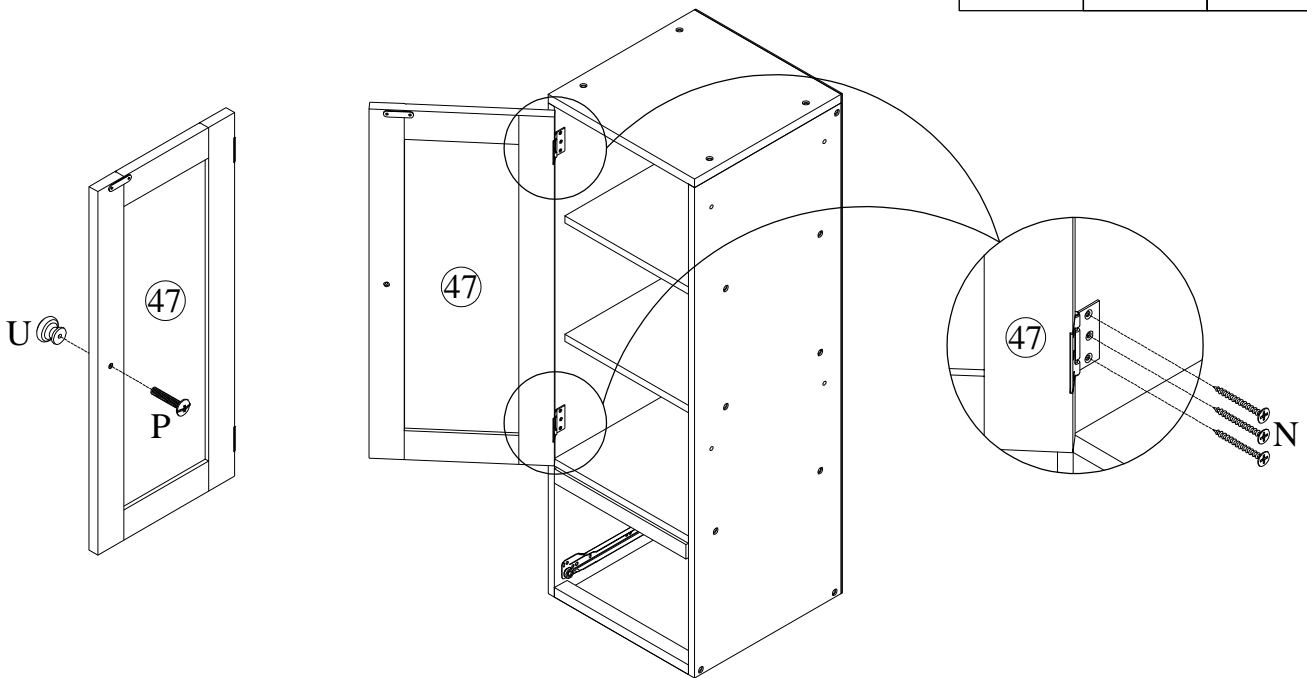
E

18




STEP 19



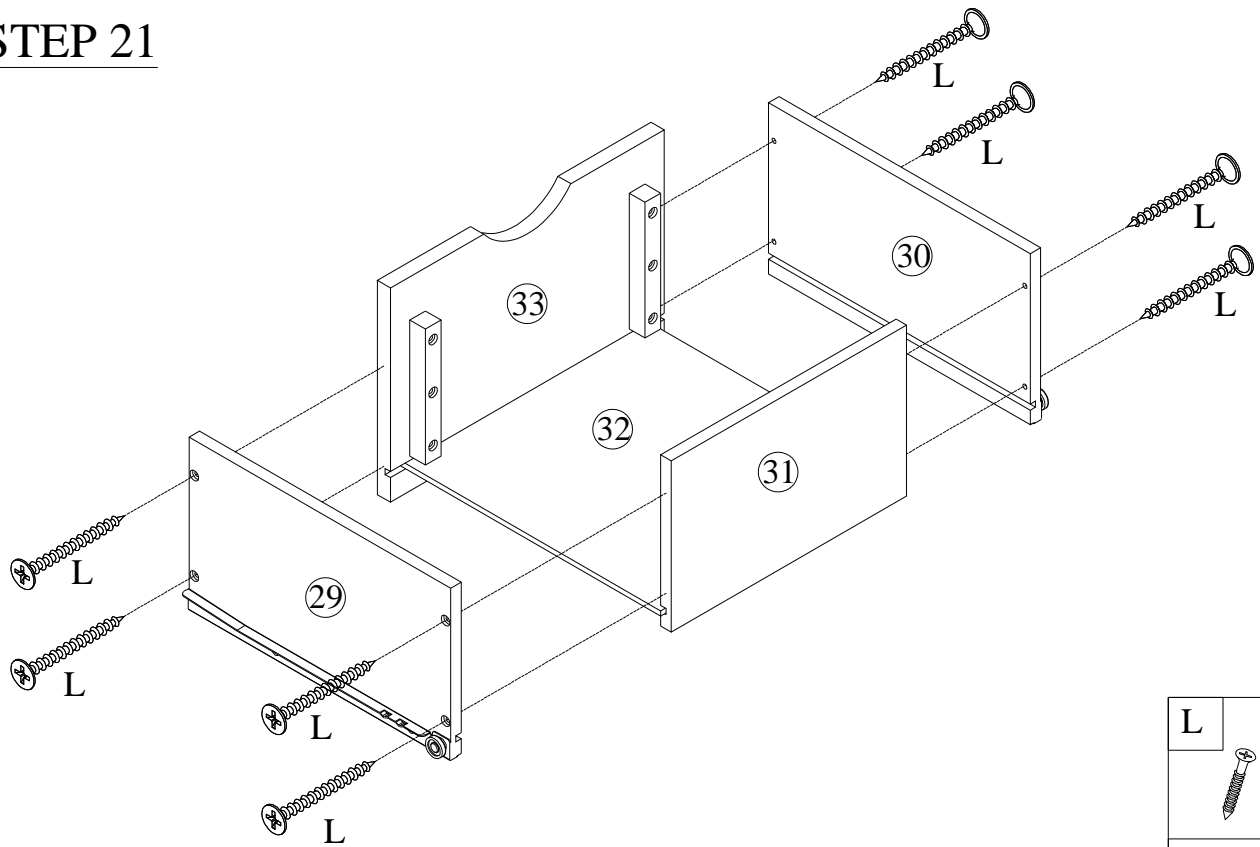
A	T	E
		
2	1	4

STEP 20

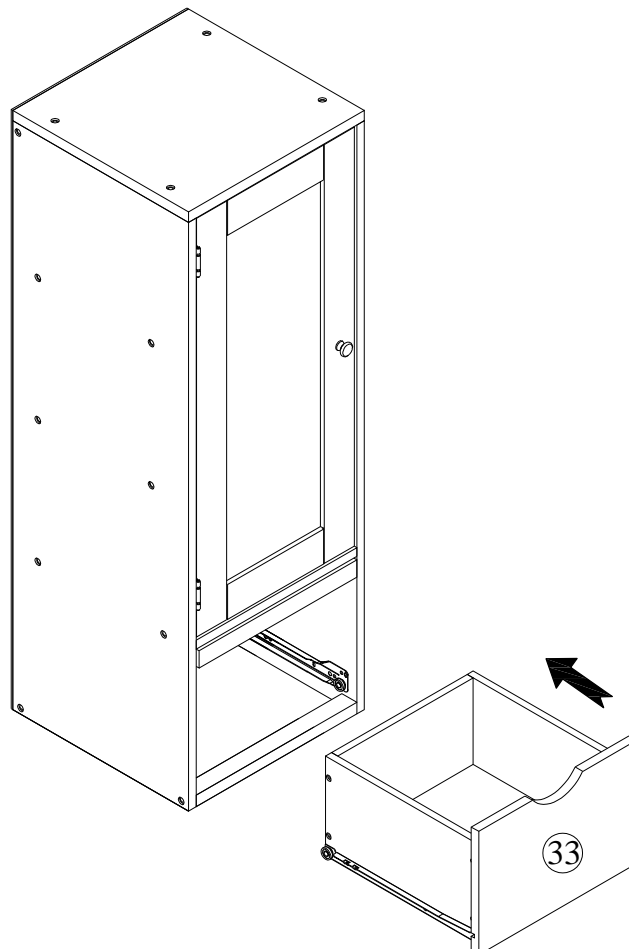


N	U	P
		
6	1	1

STEP 21



STEP 22

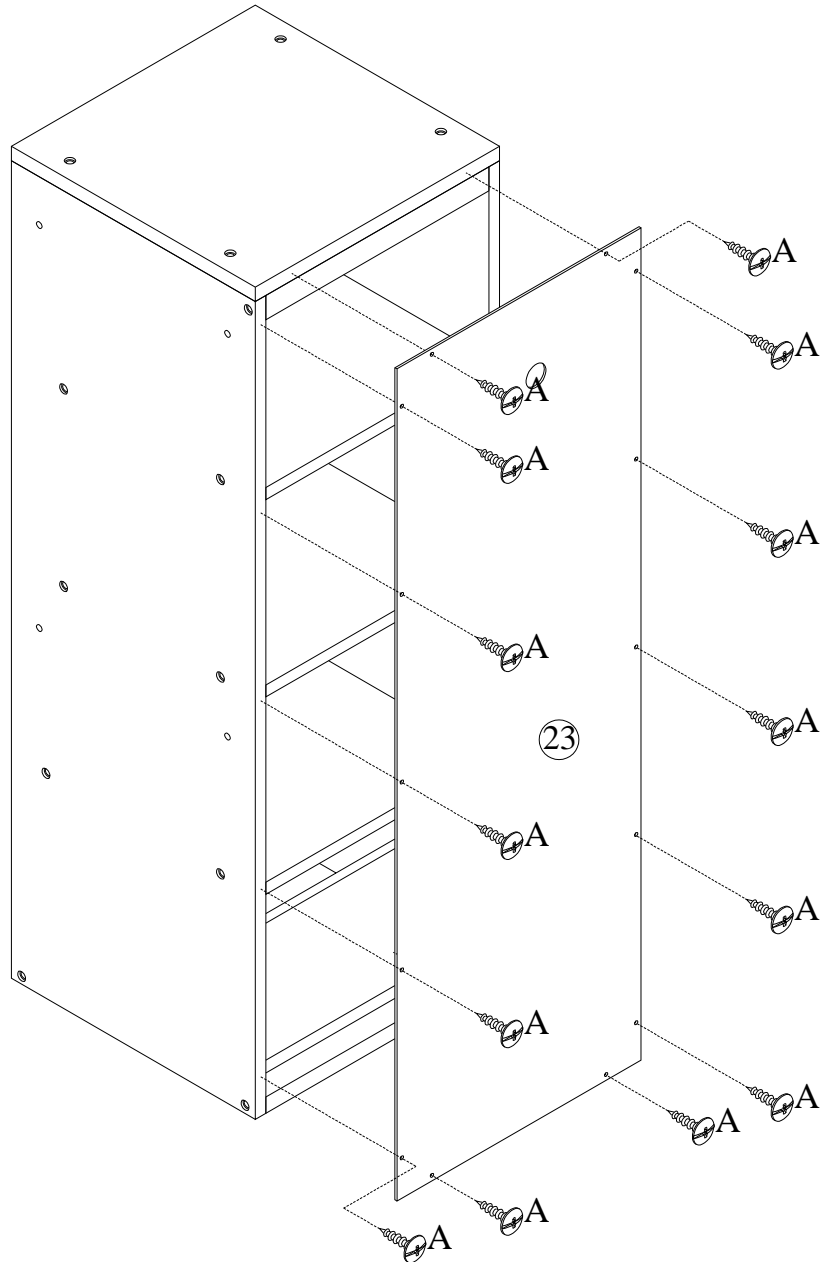


STEP 23

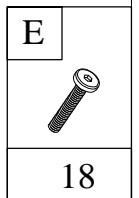
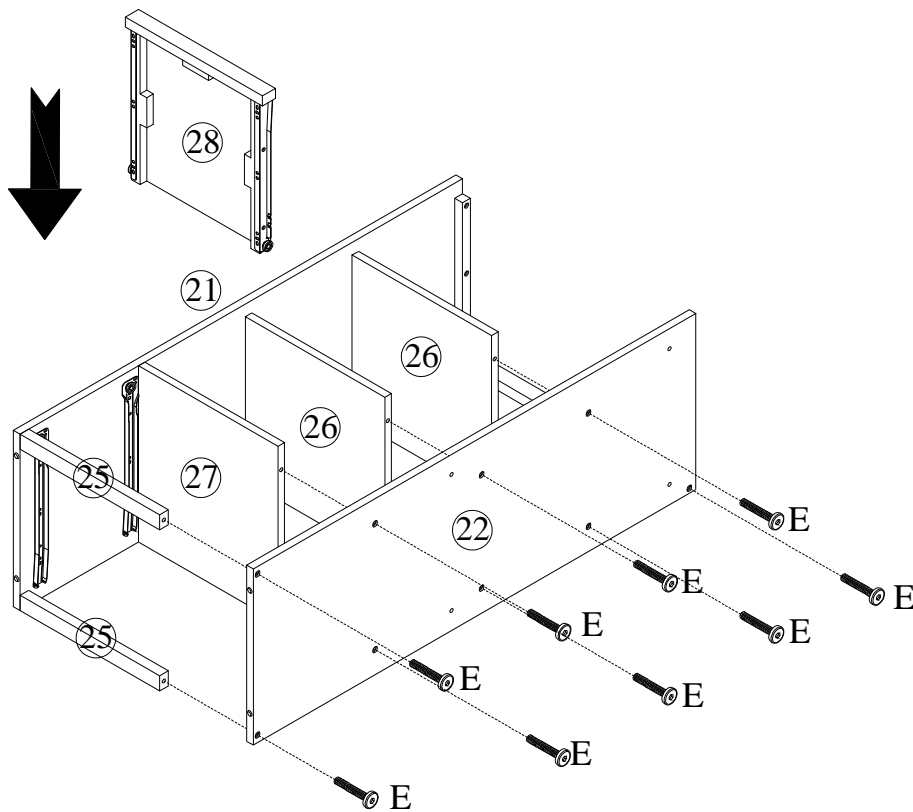
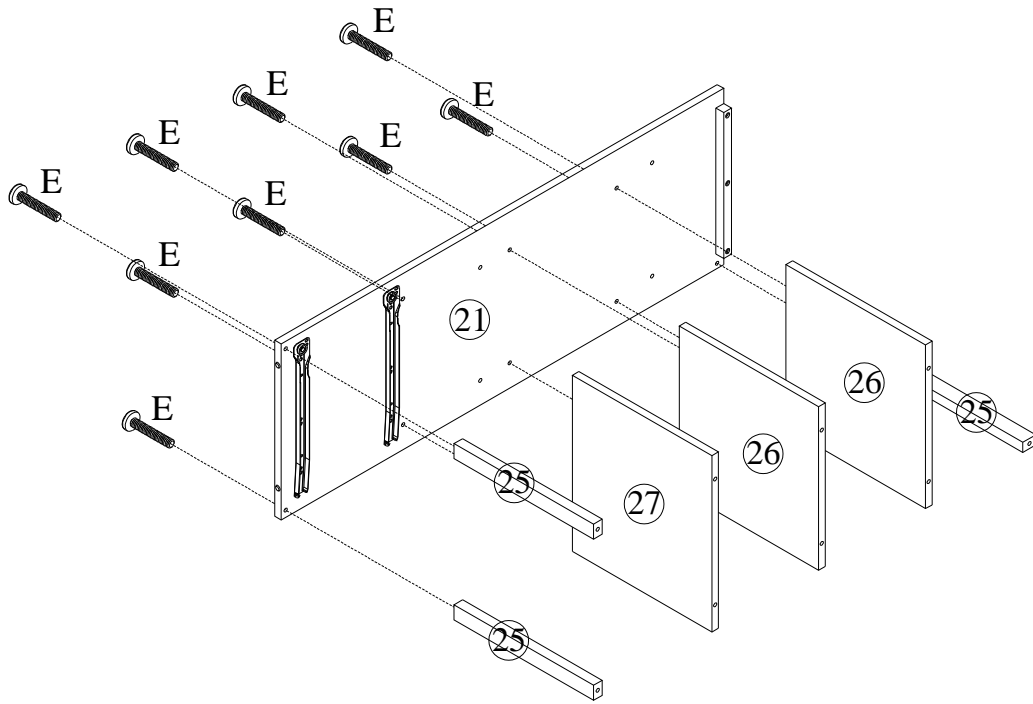
A



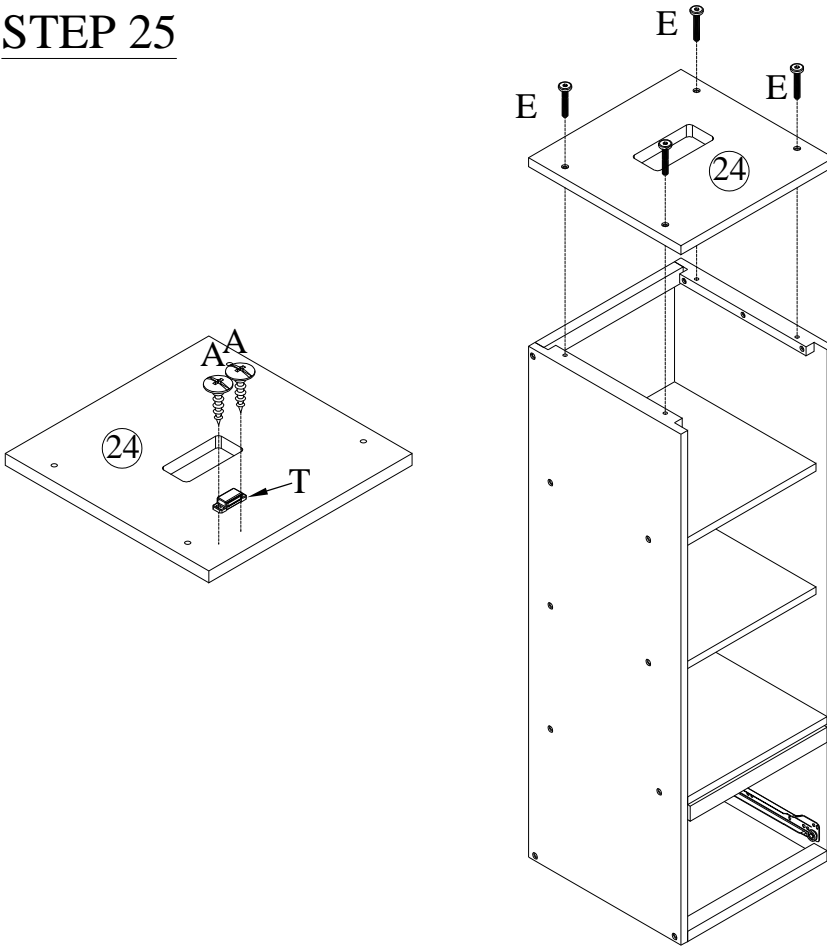
14






STEP 24

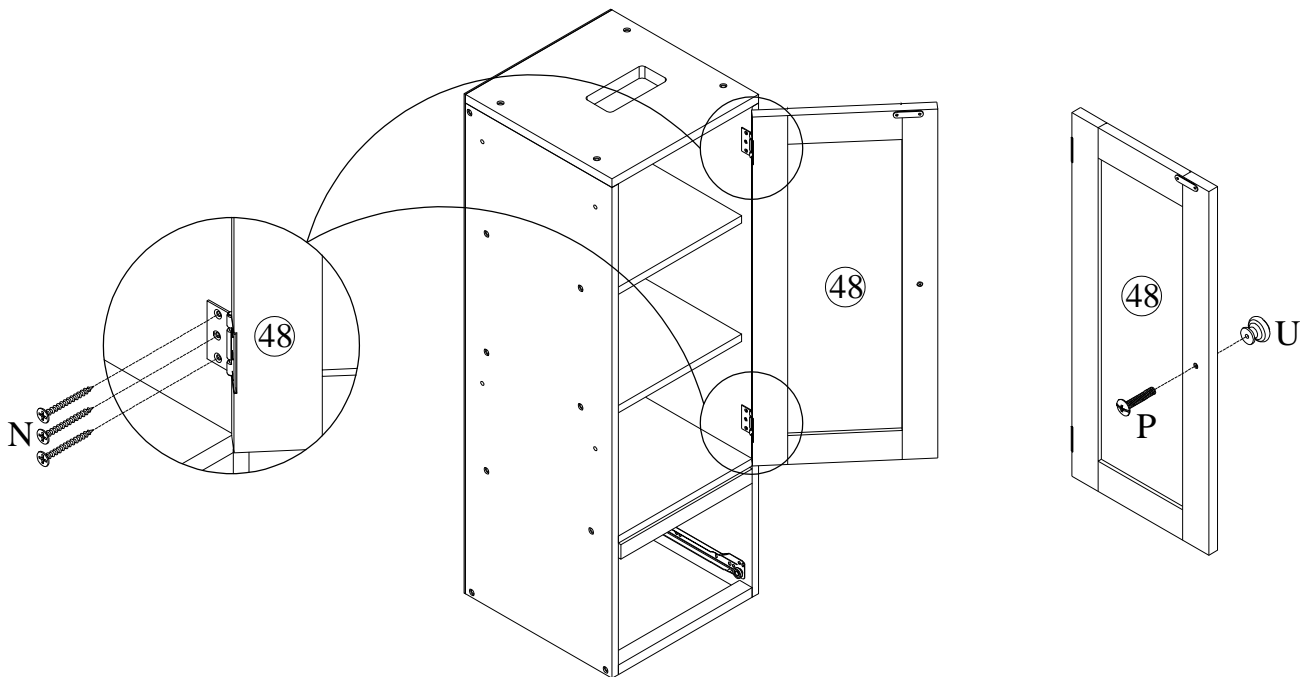





STEP 25



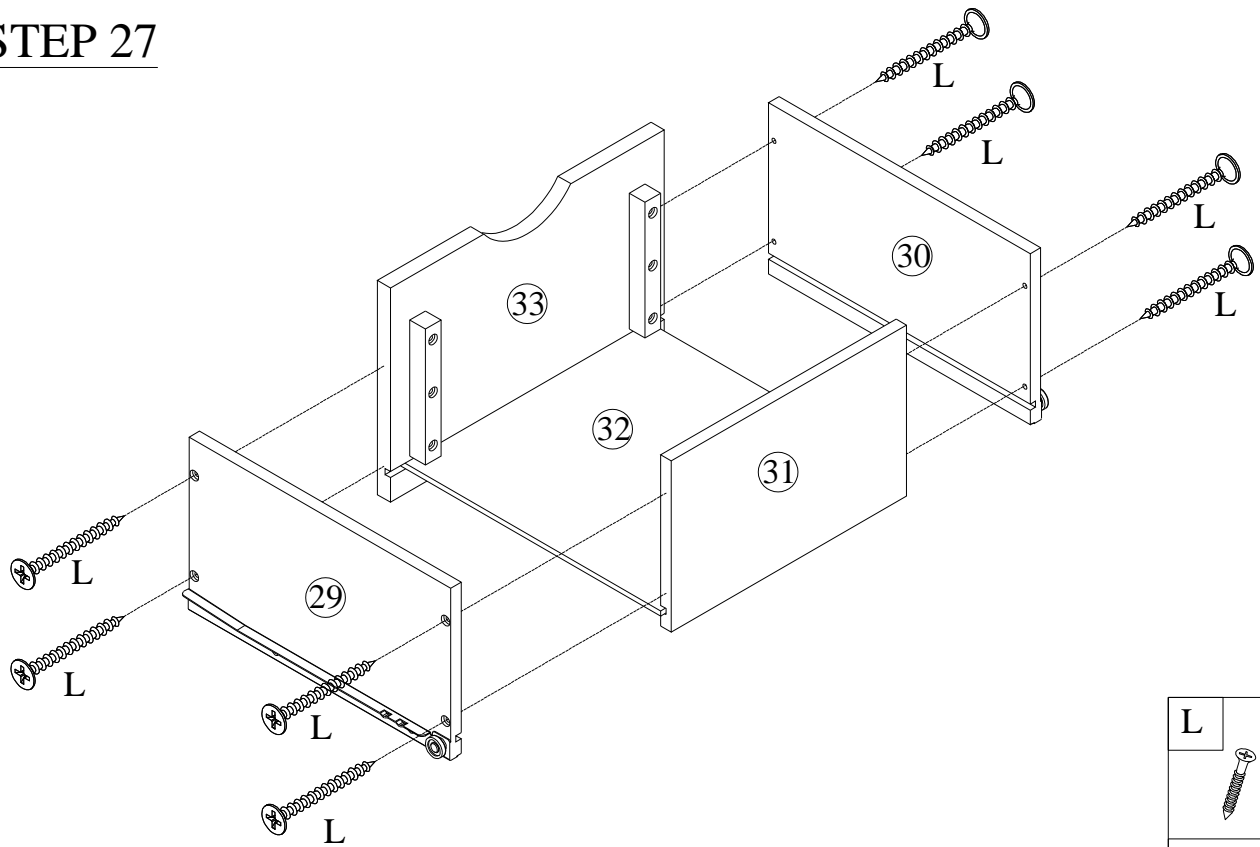
A	T	E
		
2	1	4

STEP 26

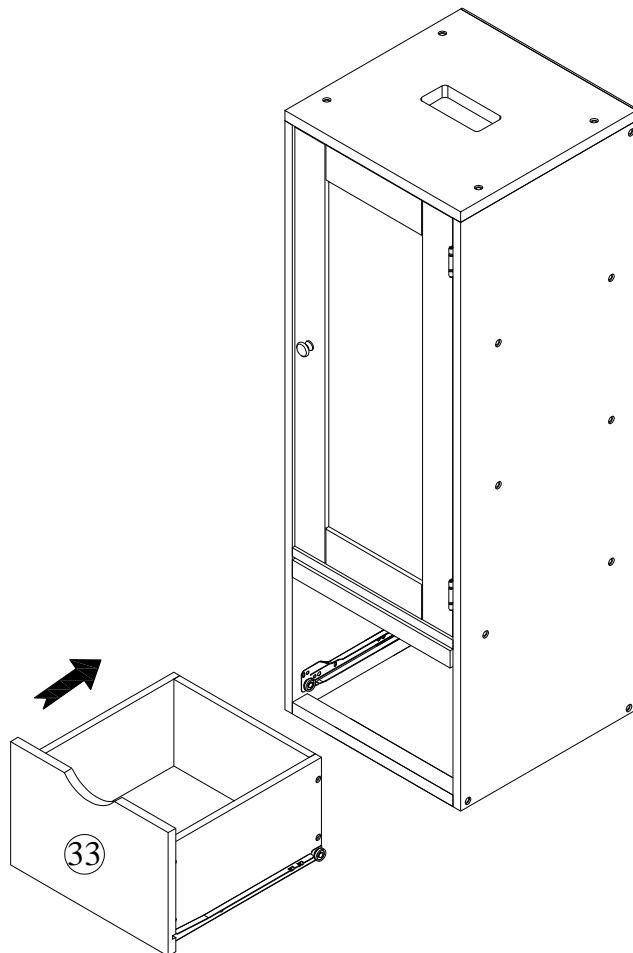


N	U	P
		
6	1	1

STEP 27



STEP 28

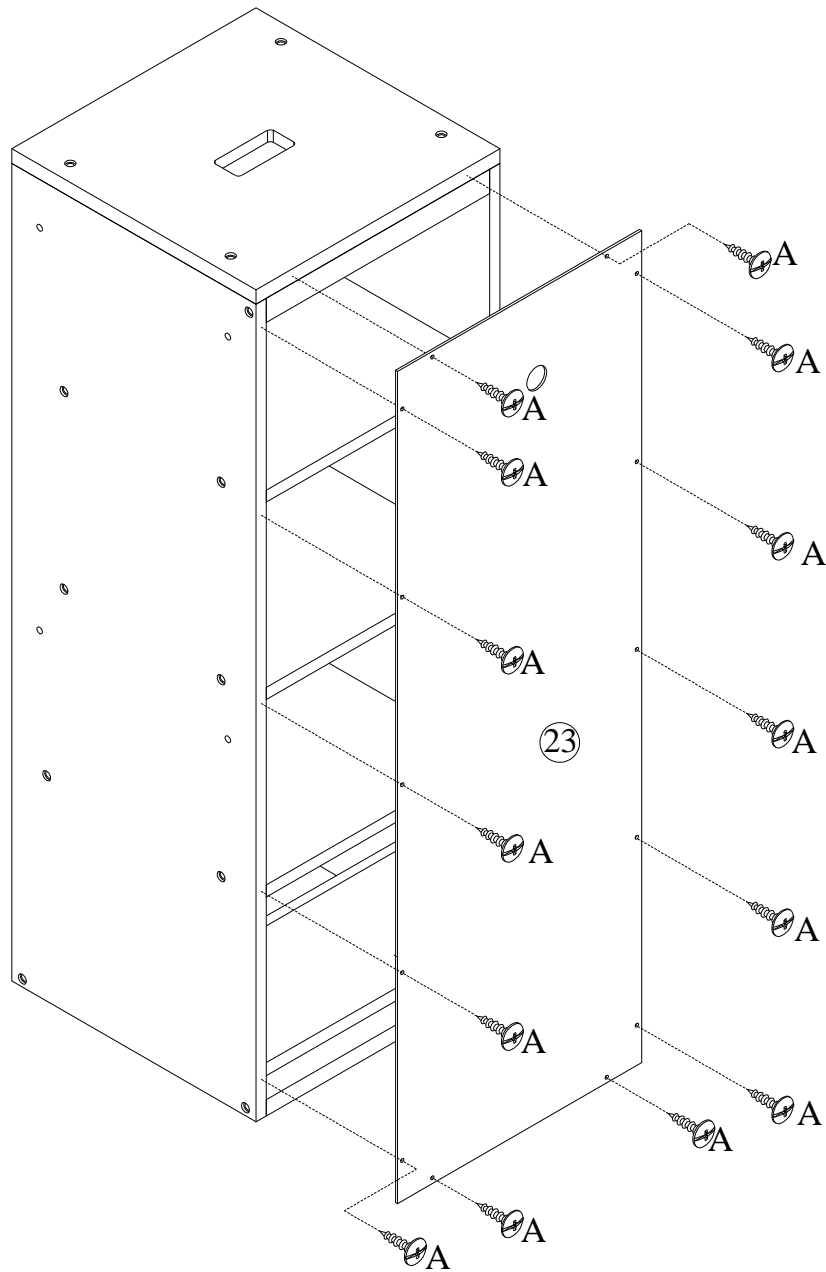


STEP 29



A

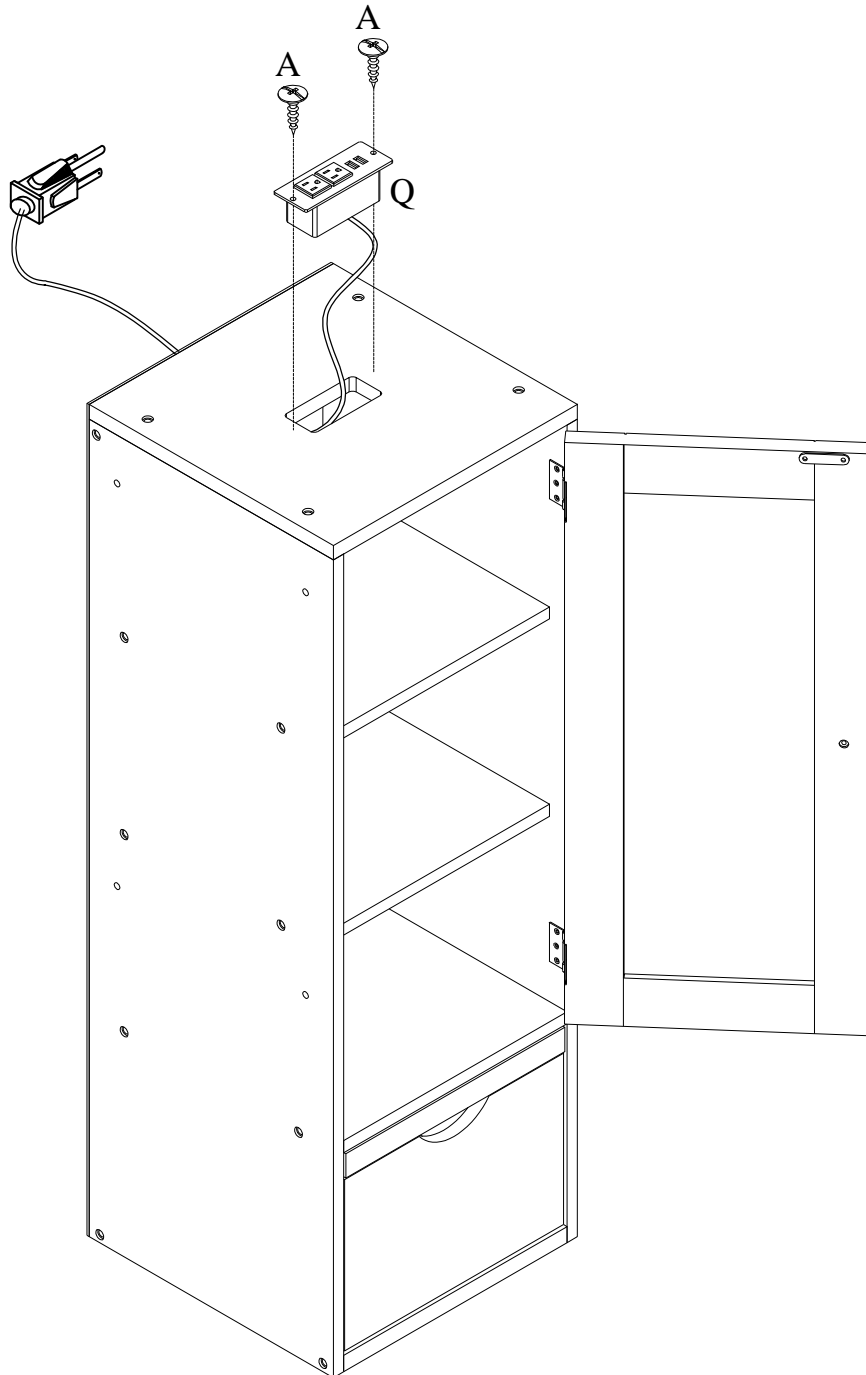


14




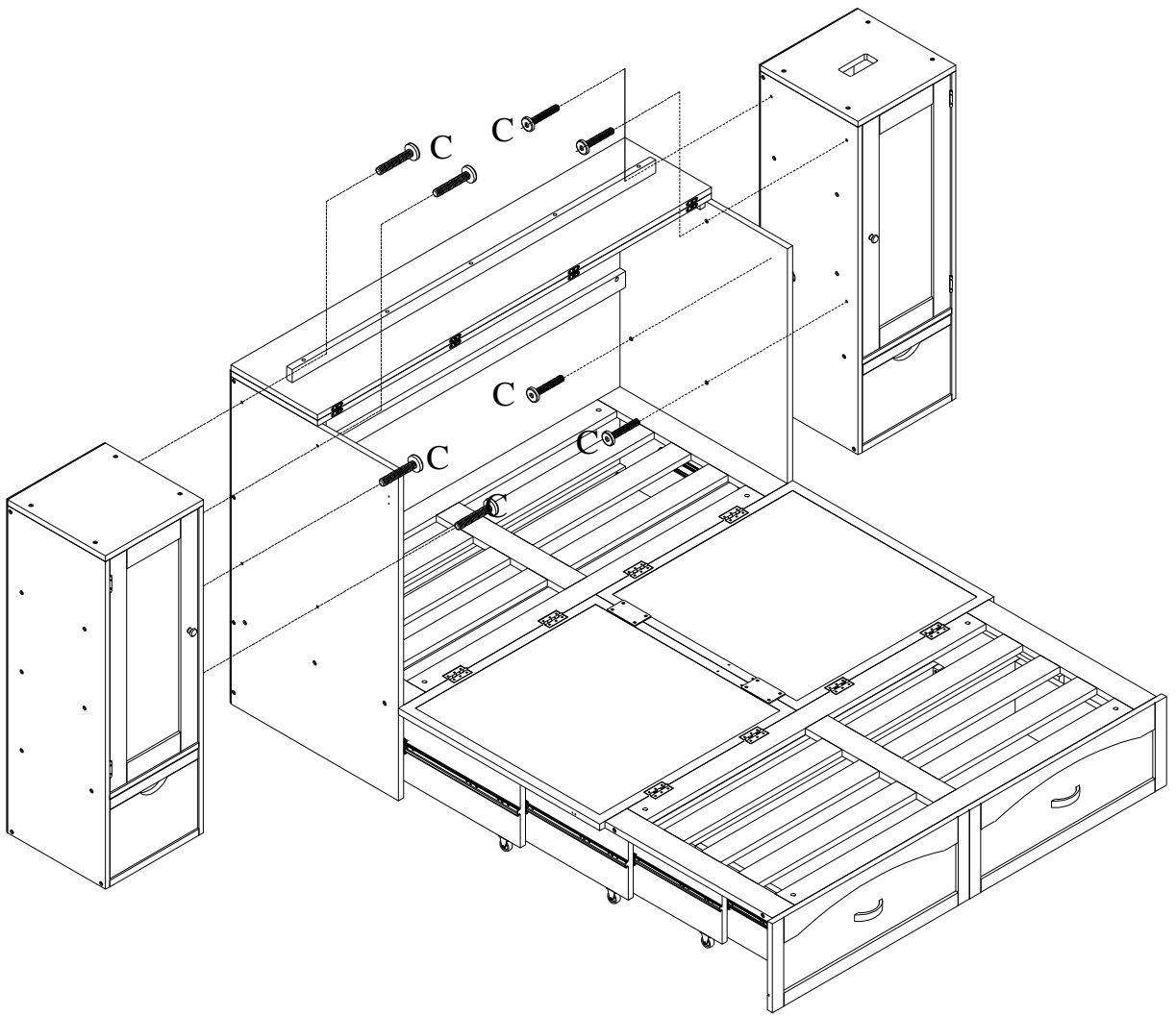
STEP 30

Q	A
	
1	2

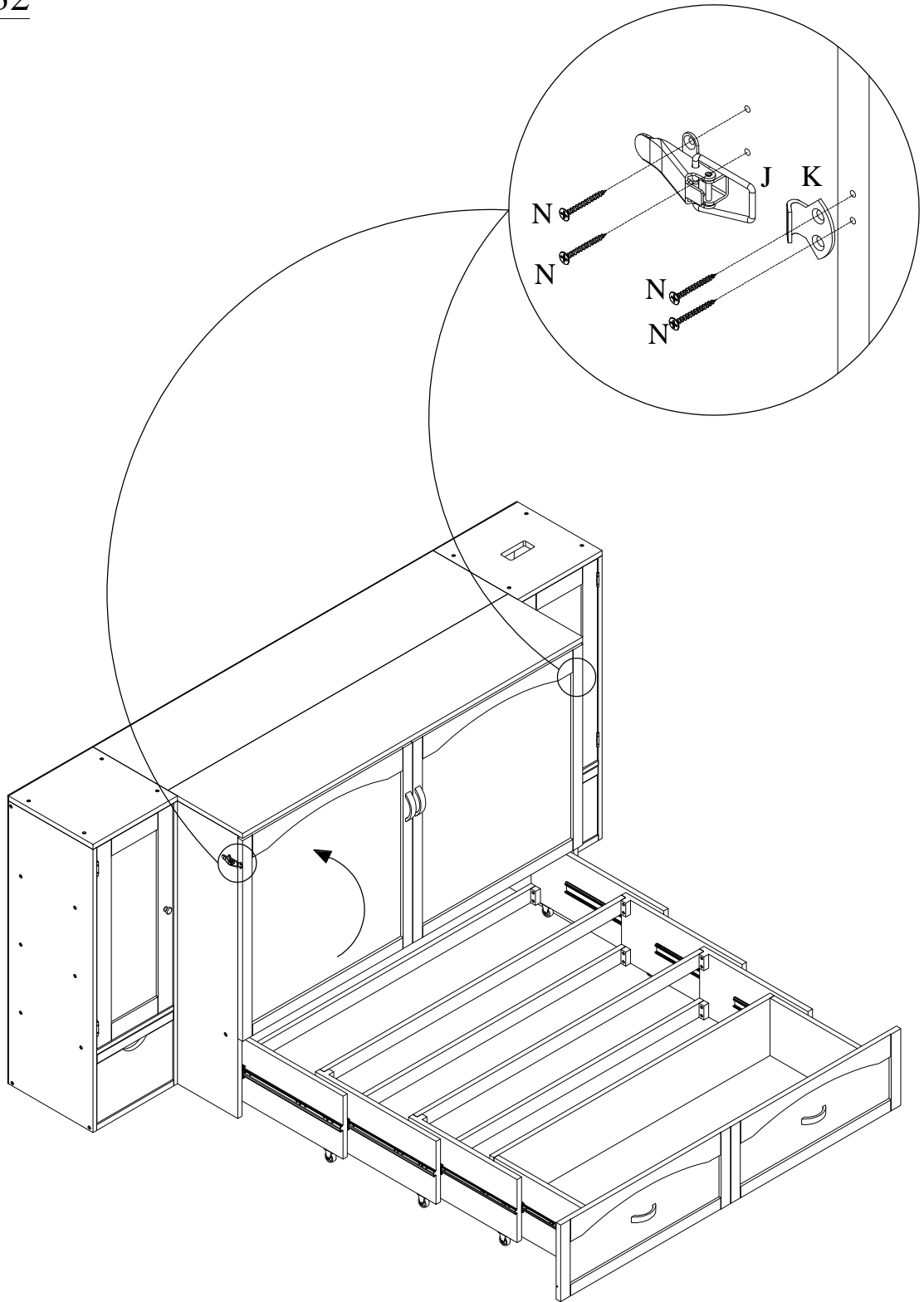


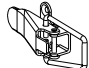


STEP 31

C

8

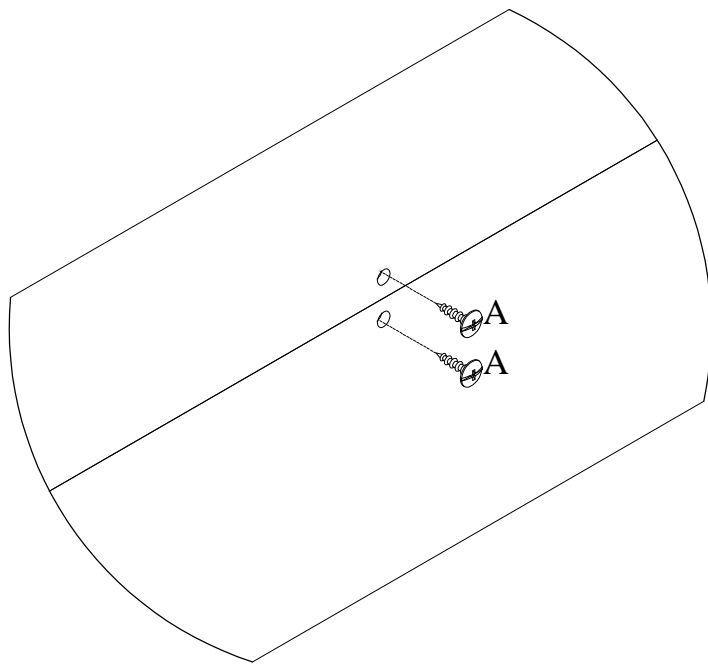
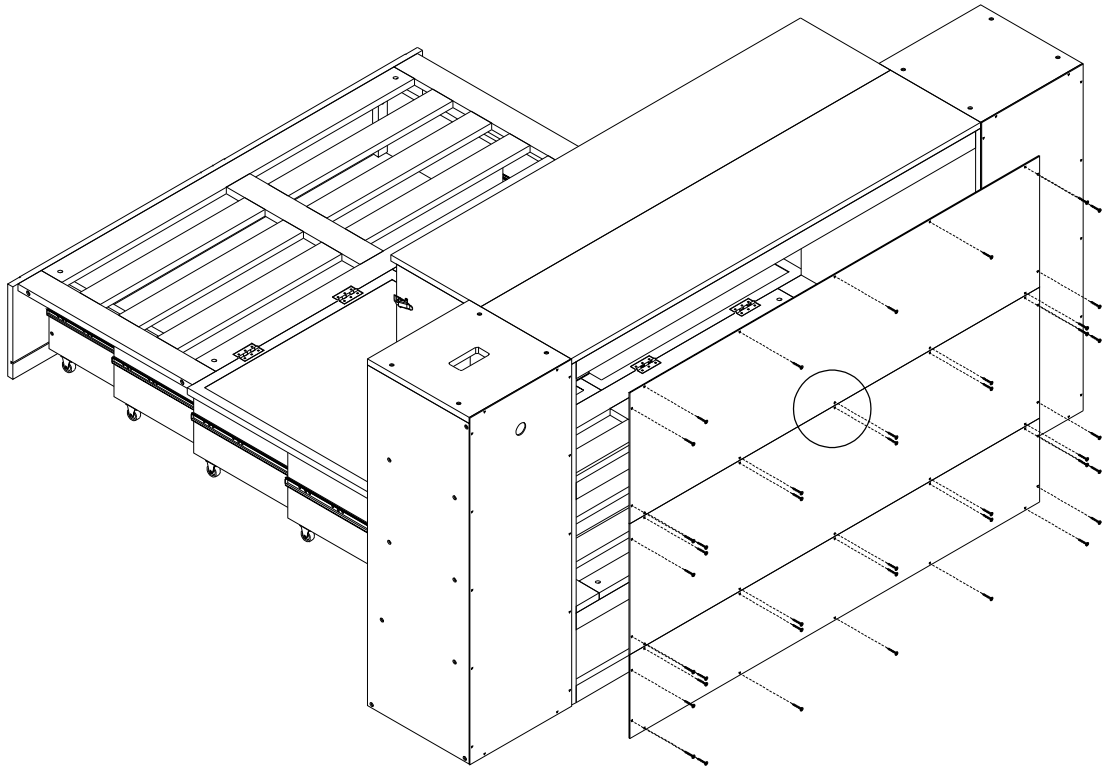



STEP 32



J	K	N
		
2	2	8

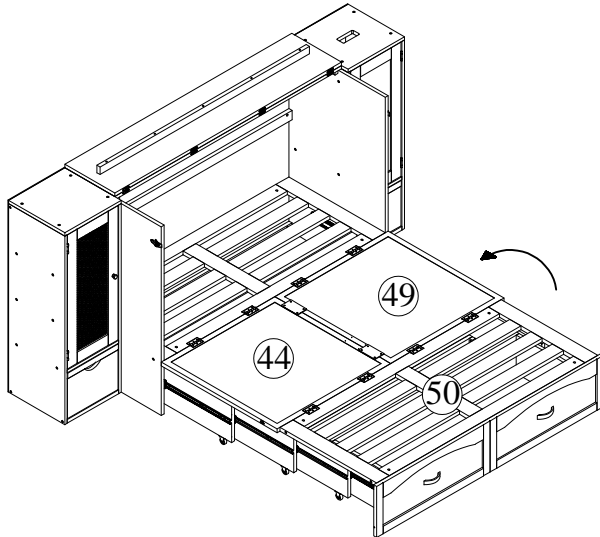
STEP 32



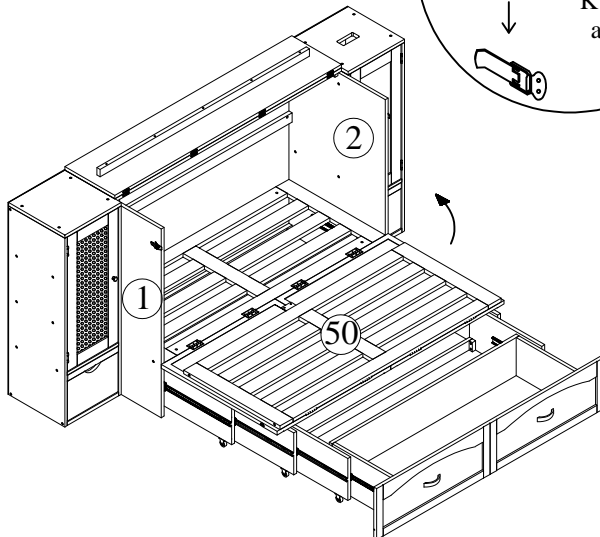
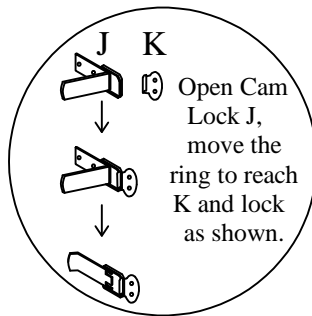
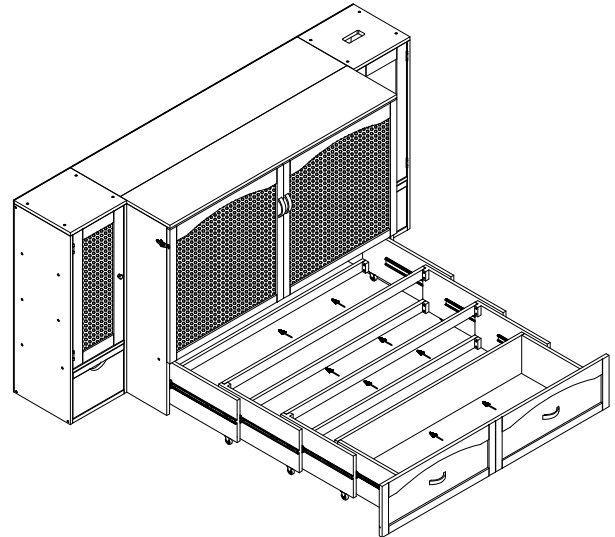
A

44

To keep the Murphy bed at it's minimal size, follow the steps below.

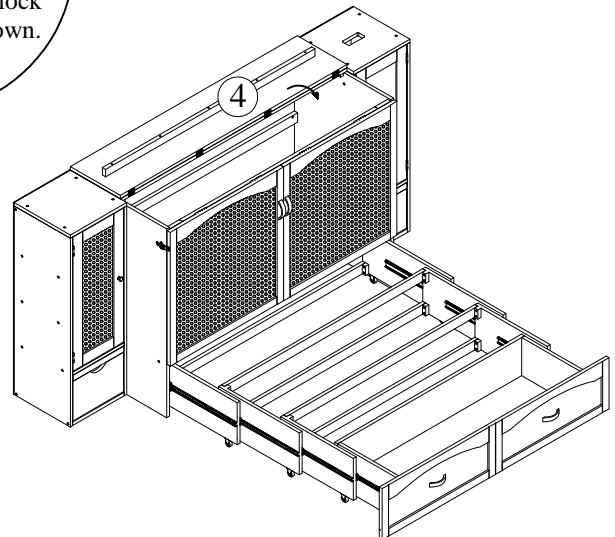
1. Fold up Support Panels (50)



4. Push Drawer and Extension Sides in.



2. Fold up Doors (44,49) and support panels (50) and lock cam lock on Side Panels (1,2).



3. Fold Top Panel(4)

To use the Murphy bed, PULL THE DRAWER OUT BEFORE PUTTING DOORS/PANELS DOWN. Failing to do so will cause damages to the furniture.