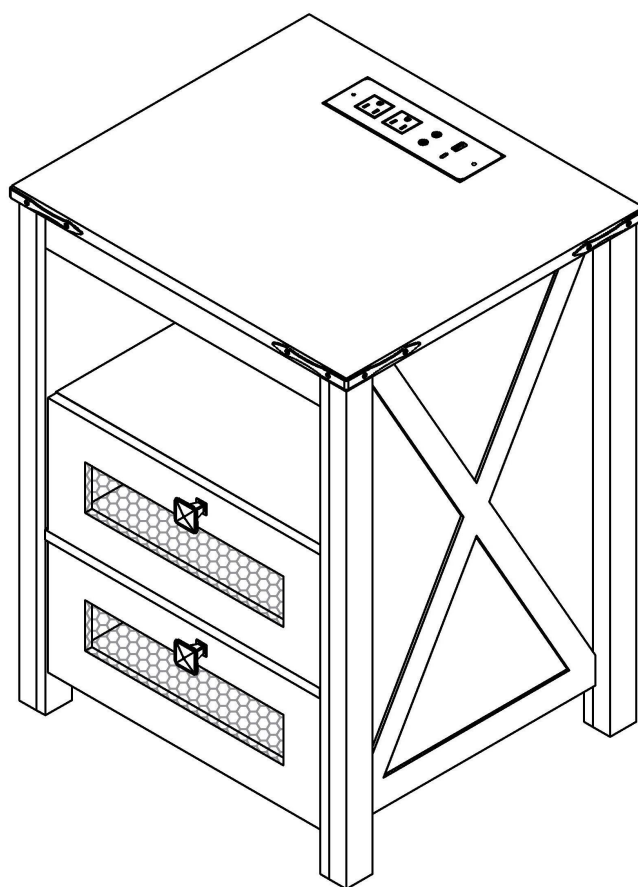
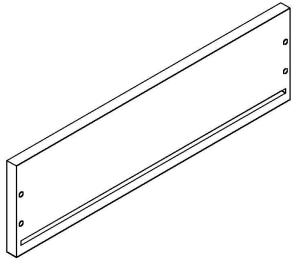
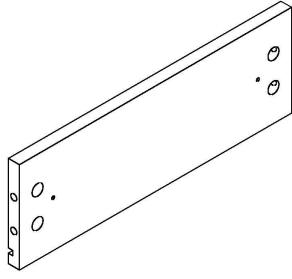


Product Installation Instructions

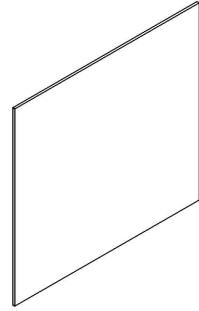




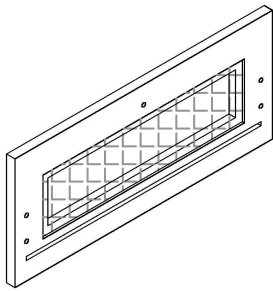
Ax2



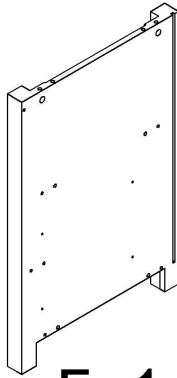
Bx4



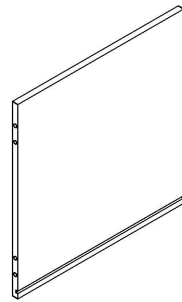
Cx2



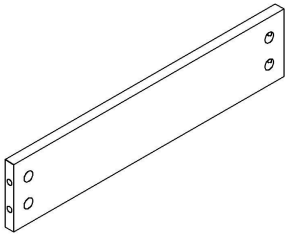
Dx2



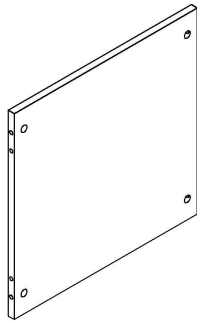
Ex1



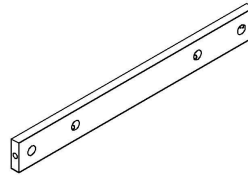
Fx1



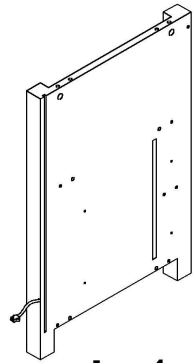
Gx1



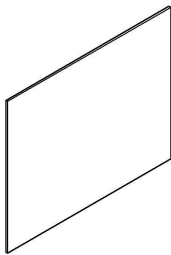
Hx1



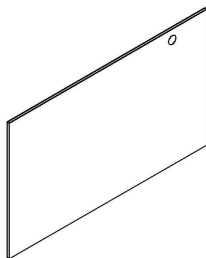
Ix1



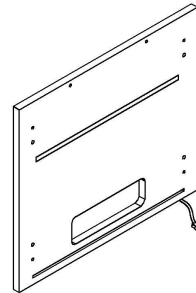
Jx1



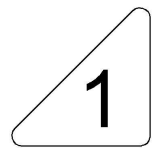
Kx1



Lx1

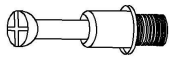


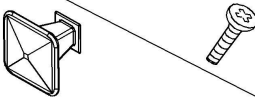
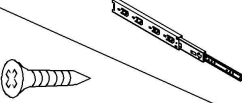

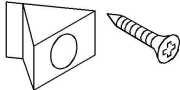
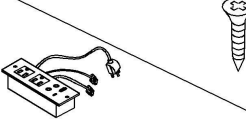


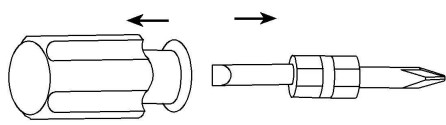
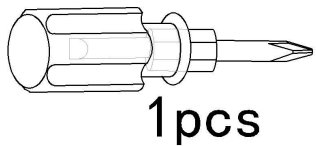
Mx1



1

Accessories list

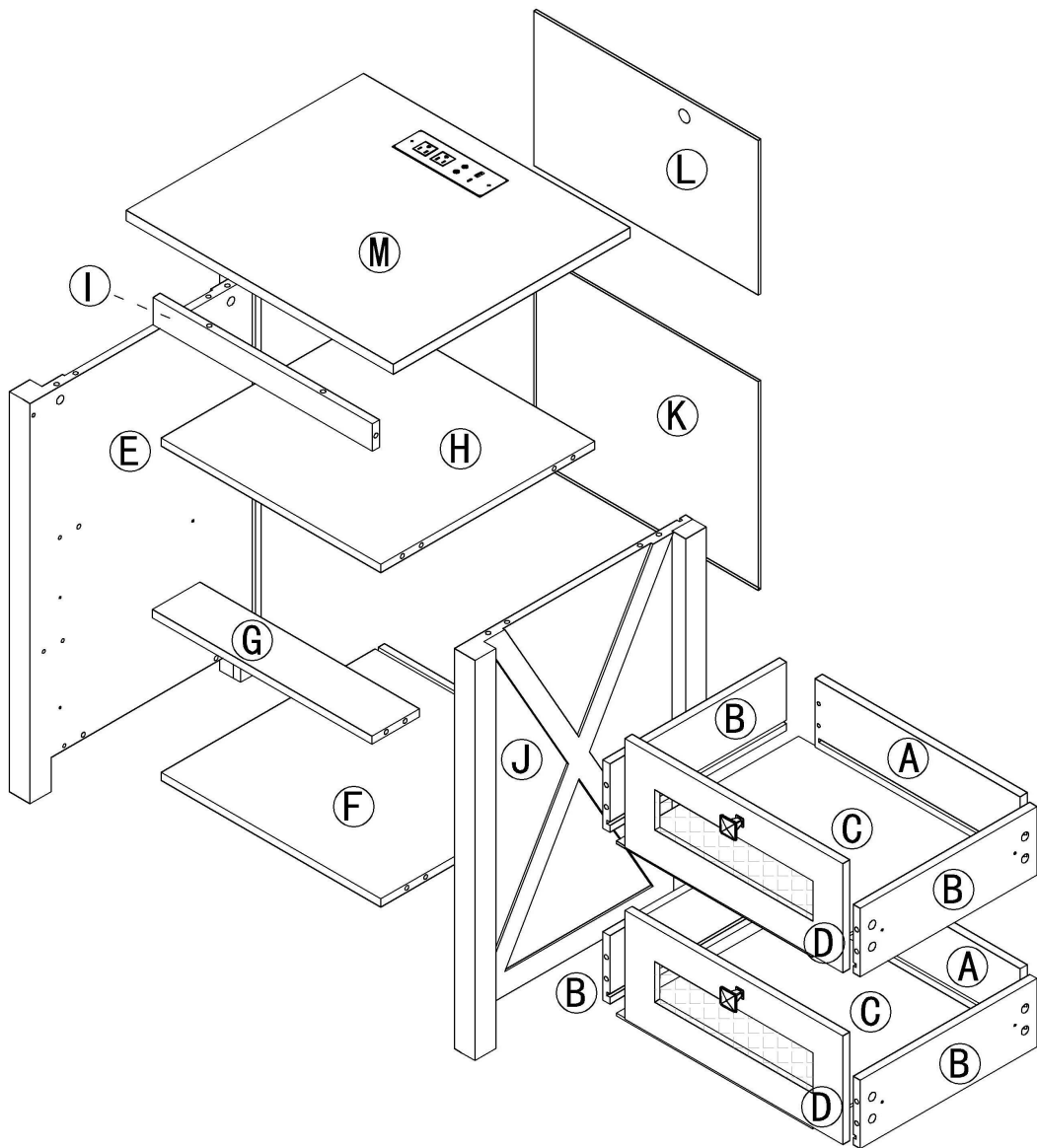
①		Two In One Screw (6x28mm)	36pcs +2pcs
②		Two In One Nut (10x12mm)	36pcs +2pcs
③		Wood Chipping (6x30mm)	12pcs +2pcs
④		Handle & Screw (4x16mm)	2pcs 2pcs +1pcs
⑤		Screw & Guide (3x12mm)	4pcs 20pcs +4pcs
⑥		Non-slip pads	4pcs
⑦		Fixing Clip & Screw (3x16mm)	4pcs +1pcs
⑧		Power Socket & Screw (3x10mm)	2pcs +1pcs 1pcs

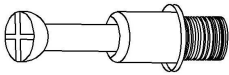




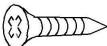


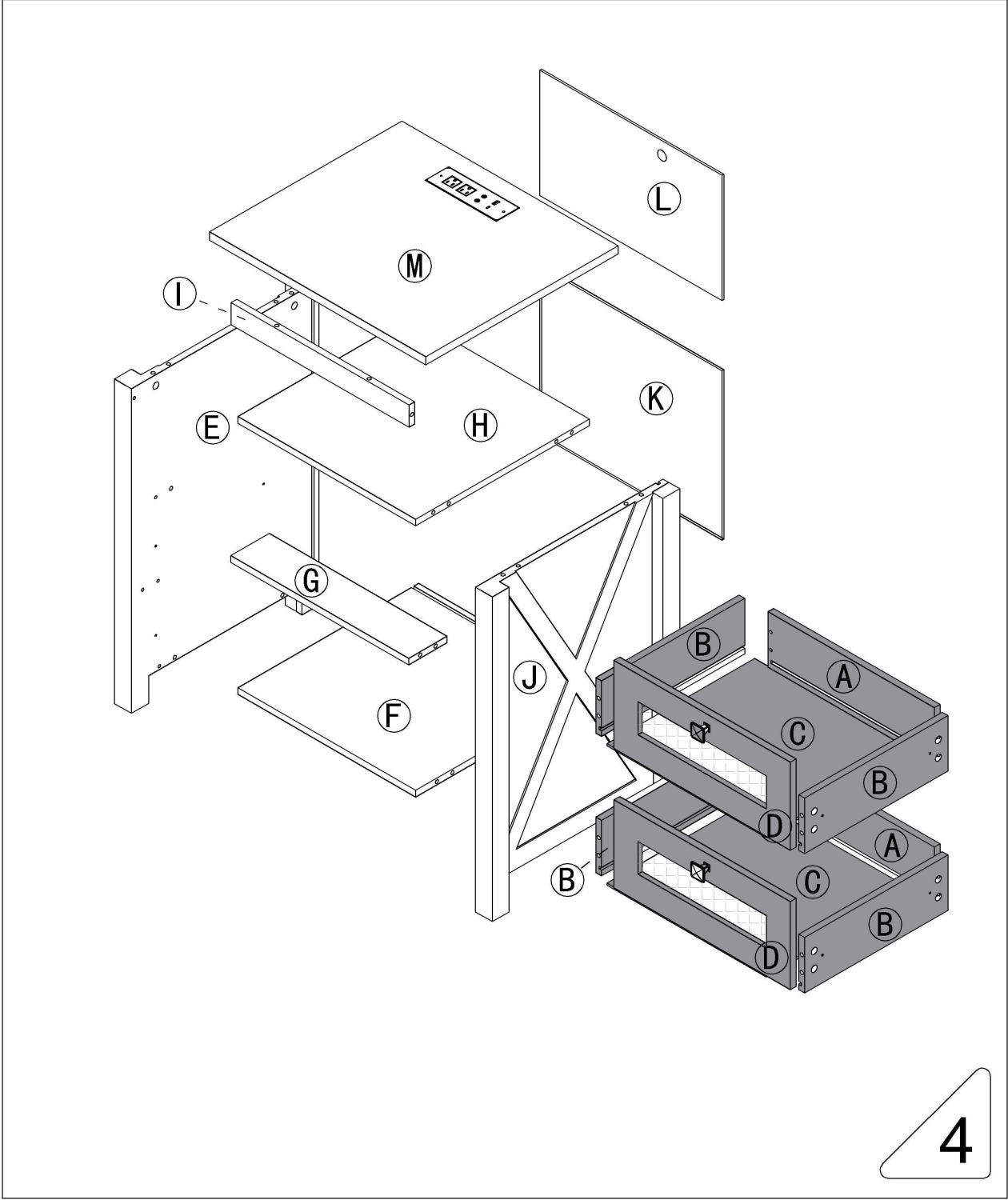
Double-head screwdriver, use as required



Product structure decomposition

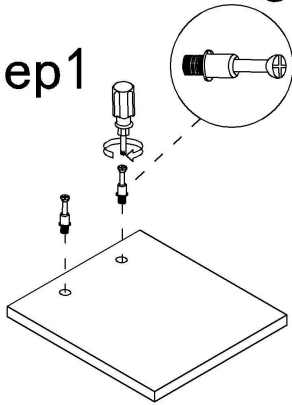


<p>1</p>		<p>16pcs</p>	<p>4</p>	 <p>2pcs</p>	 <p>2pcs</p>
<p>2</p>		<p>16pcs</p>	<p>5</p>	 <p>4pcs</p>	 <p>8pcs</p>

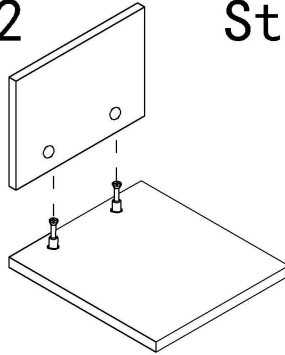


Use parts ① and ②

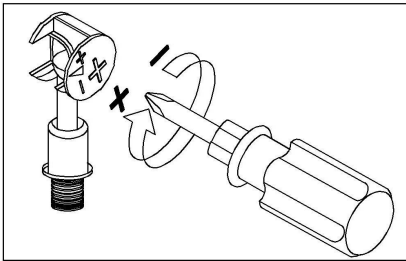
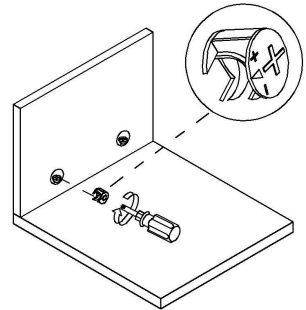
Step1



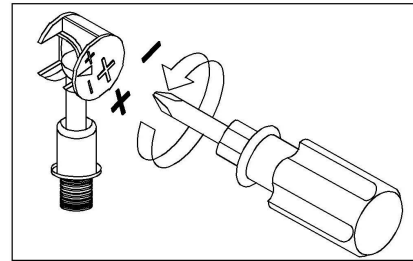
Step2



Step3



Use a screwdriver to lock in the direction of the "+" sign

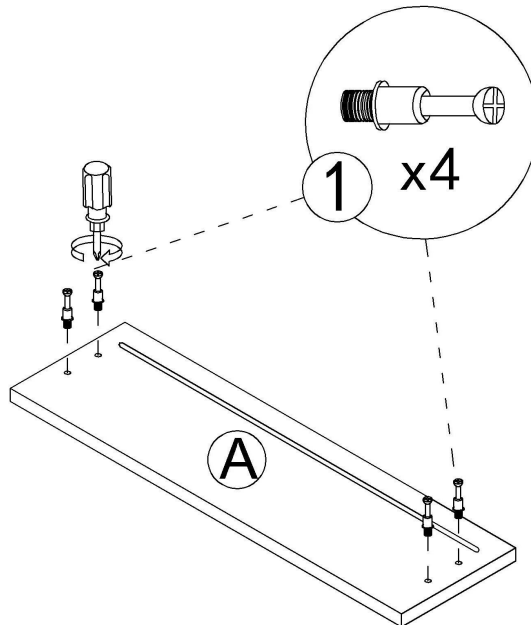


Disassemble along the direction of "-" sign

Step 1

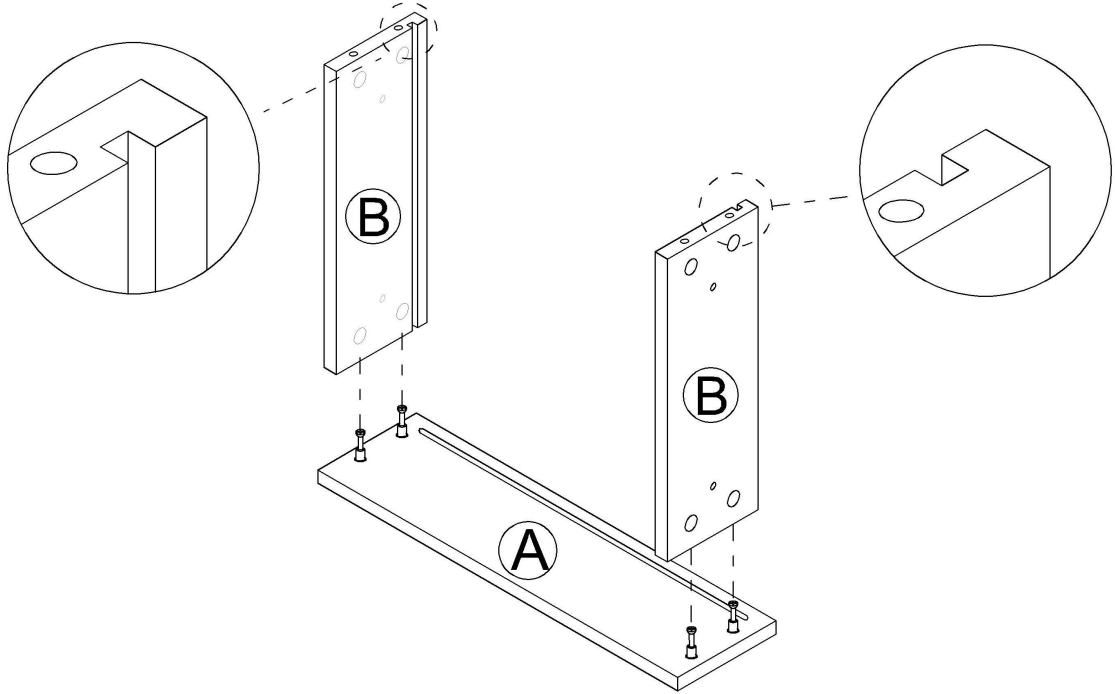
①

x4

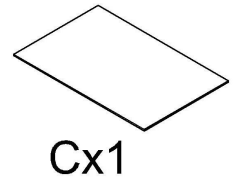
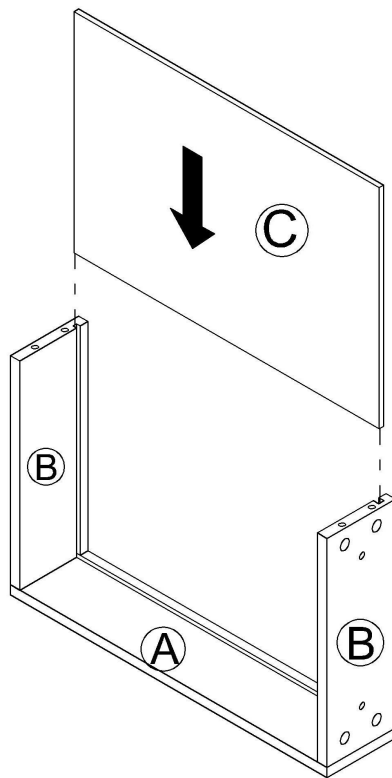


5

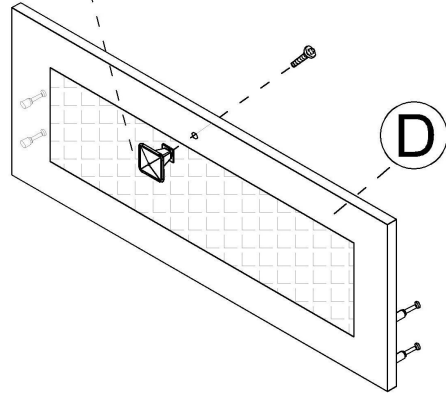
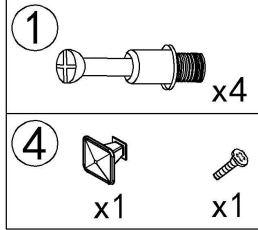
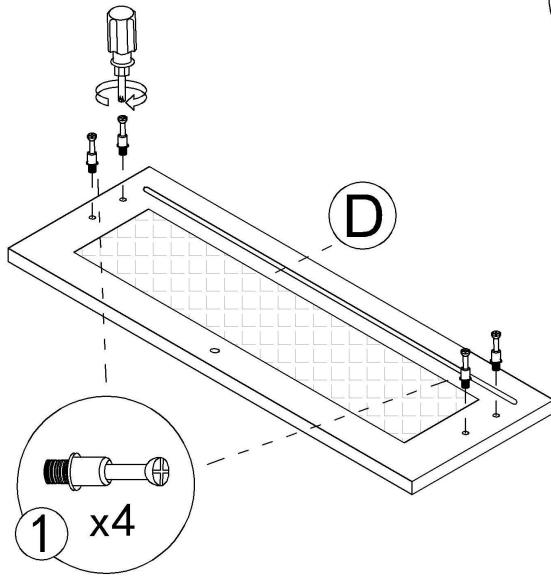
Step 2



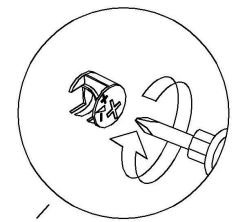
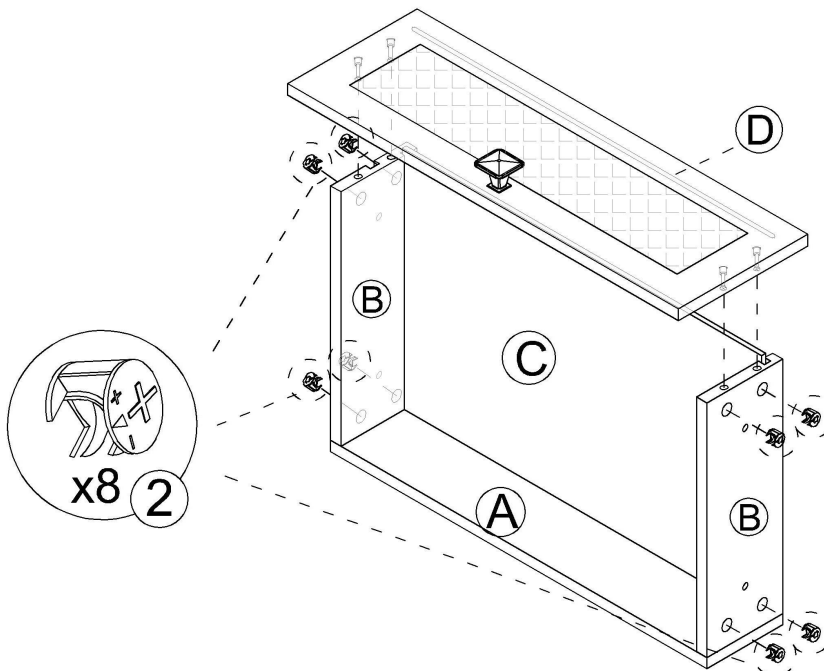
Step 3



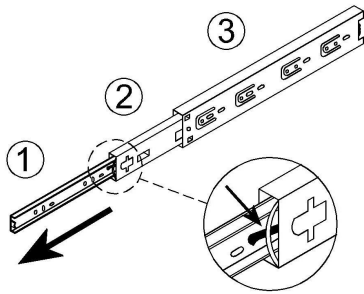
Step 4



Step 5

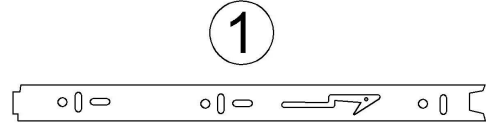


Drawer rail breakdown diagram



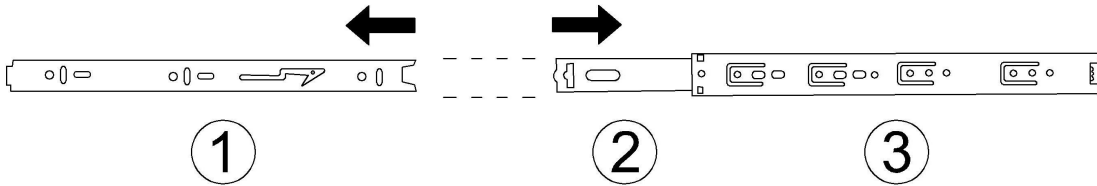
Step 1 : Pull the rails apart

Step 2 : Push the nylon buckle outward ①



②

③

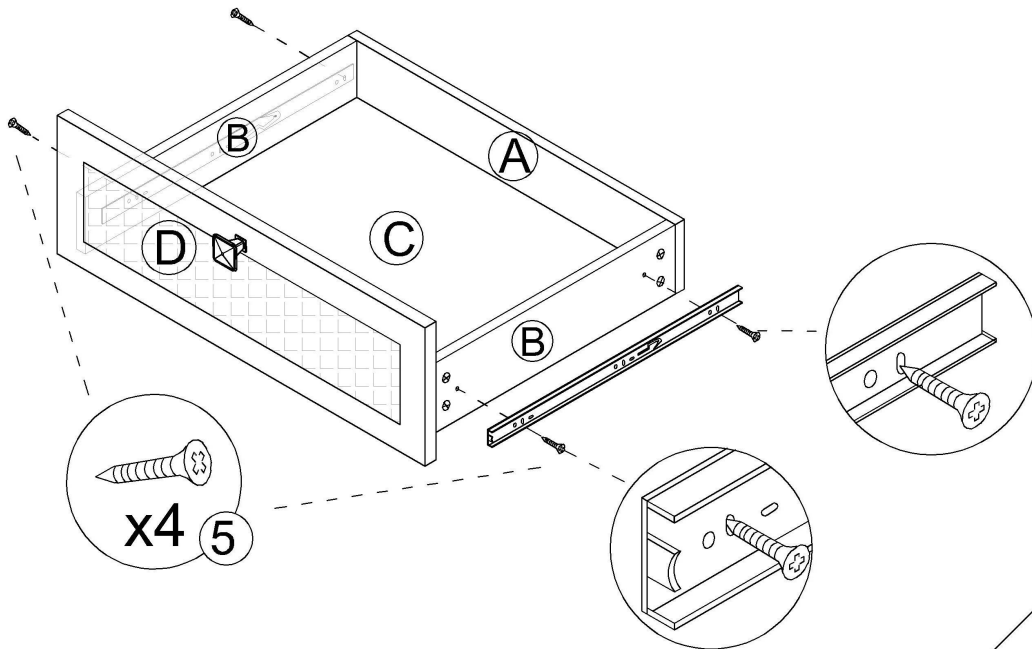
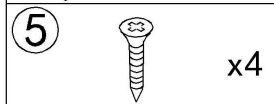
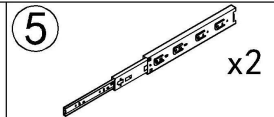
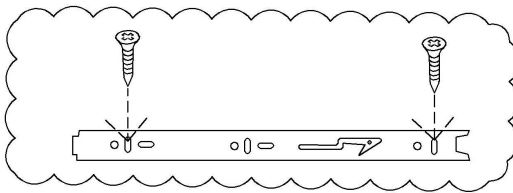


①

②

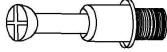




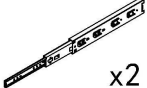
③

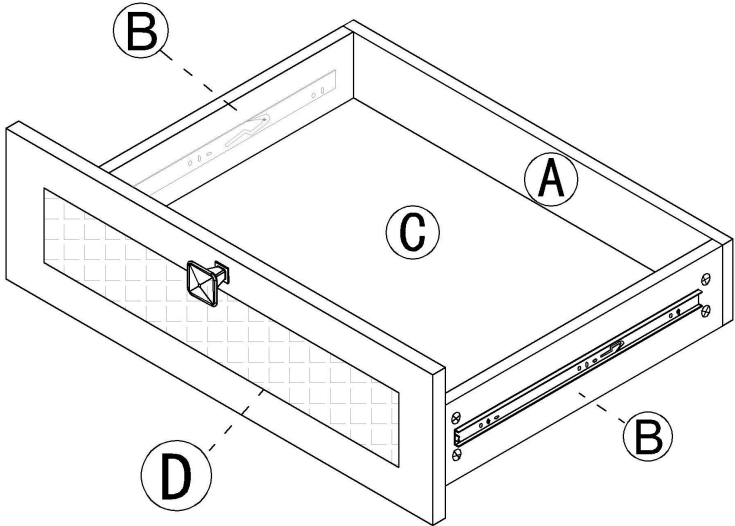
Step 6



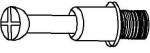



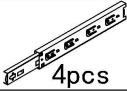

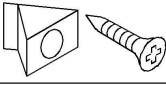


x4 ⑤

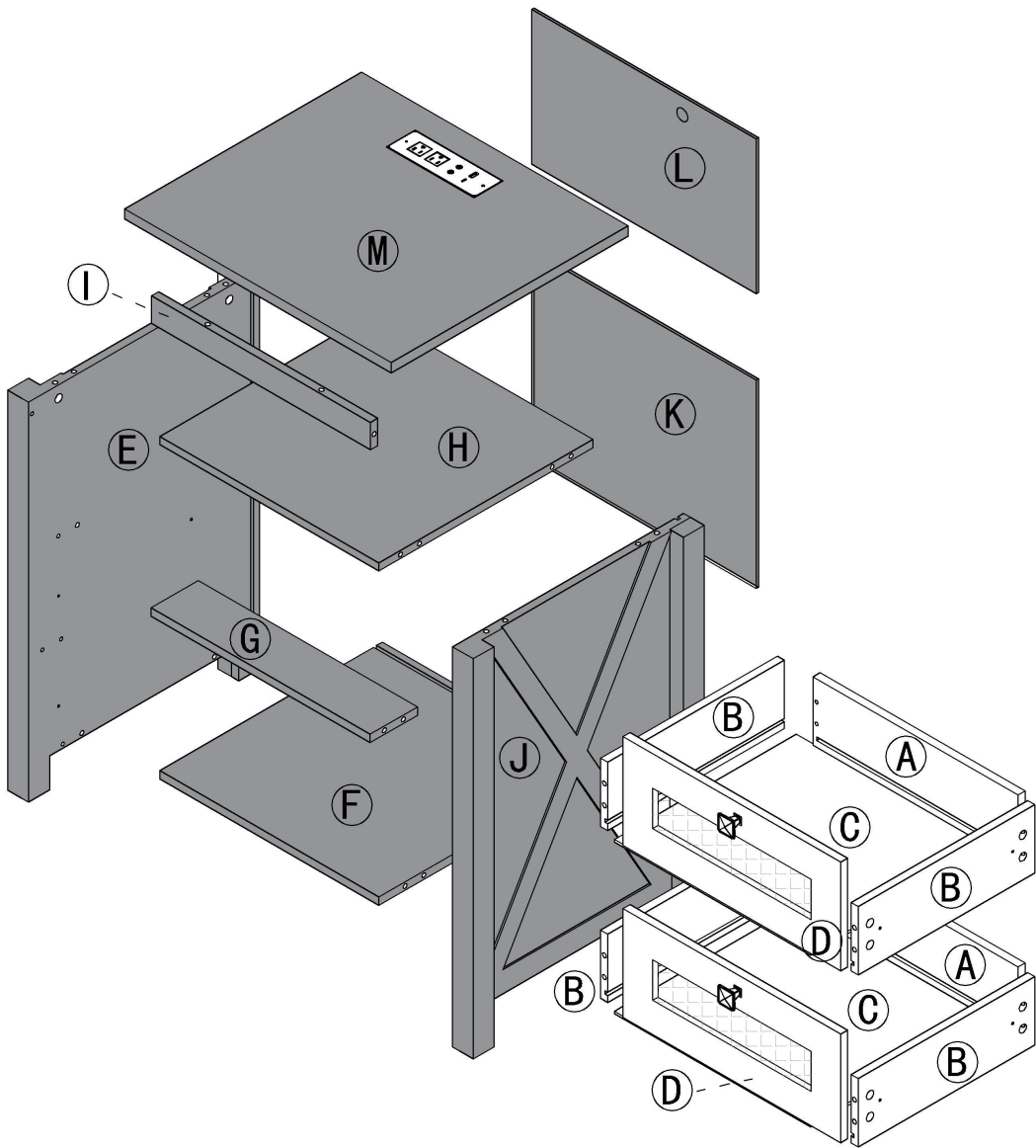
Step 7

- ①  x8
- ②  x8
- ④  x1  x1
- ⑤  x4  x2

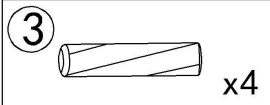
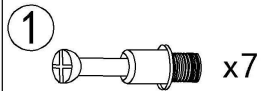
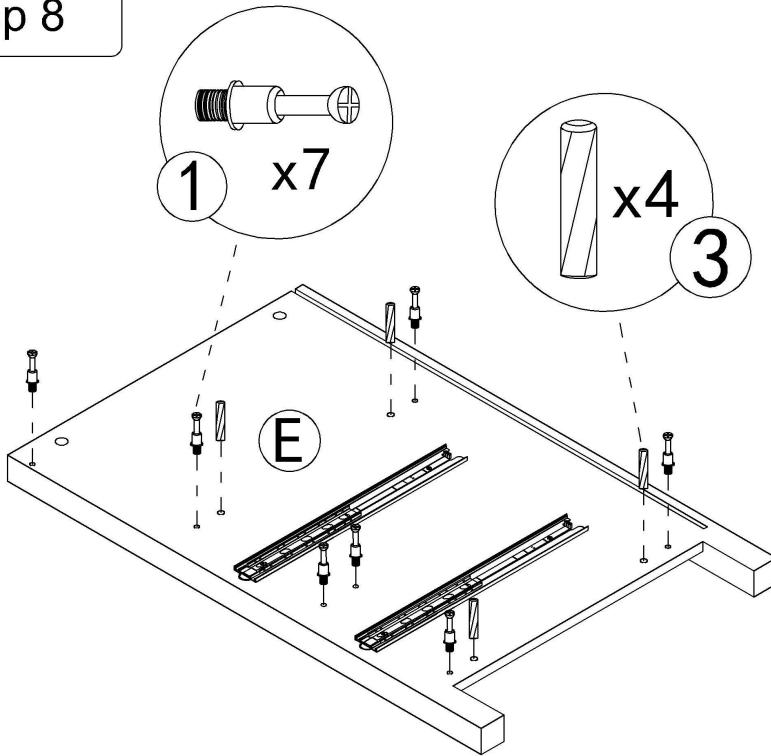


Use the same way to install another drawer

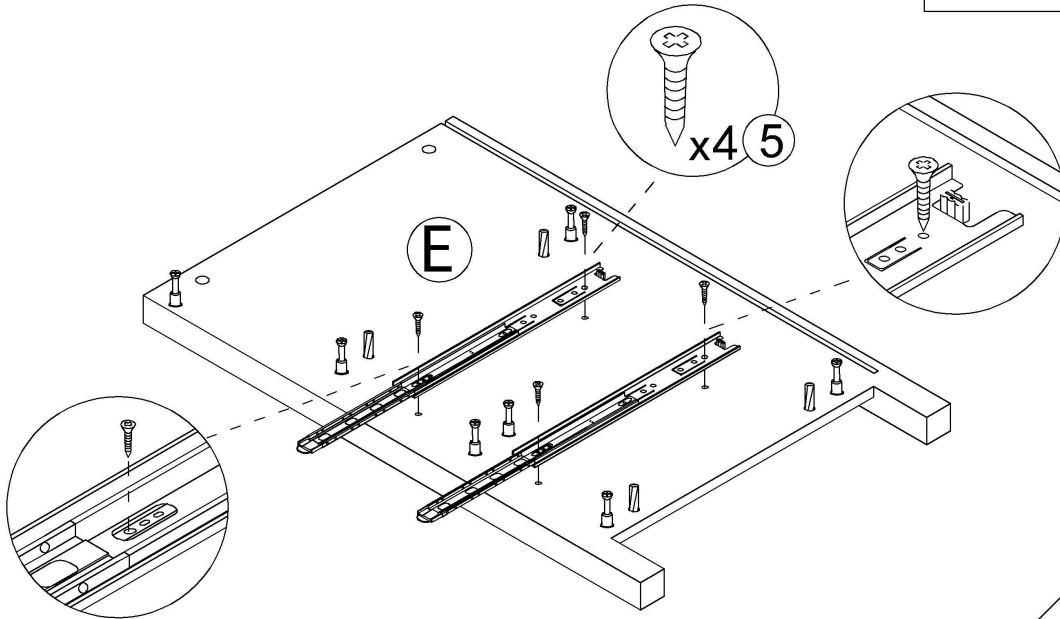
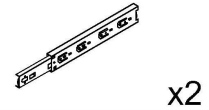
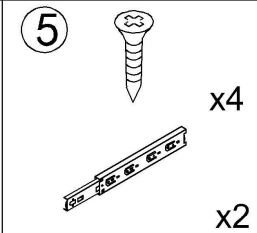
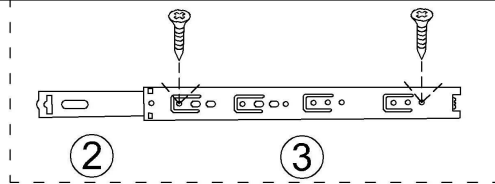
①		20pcs	③		12pcs	⑥		4pcs		
②		20pcs	⑤		4pcs		⑦		4pcs	
						⑧		1pcs		2pcs



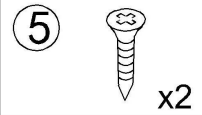
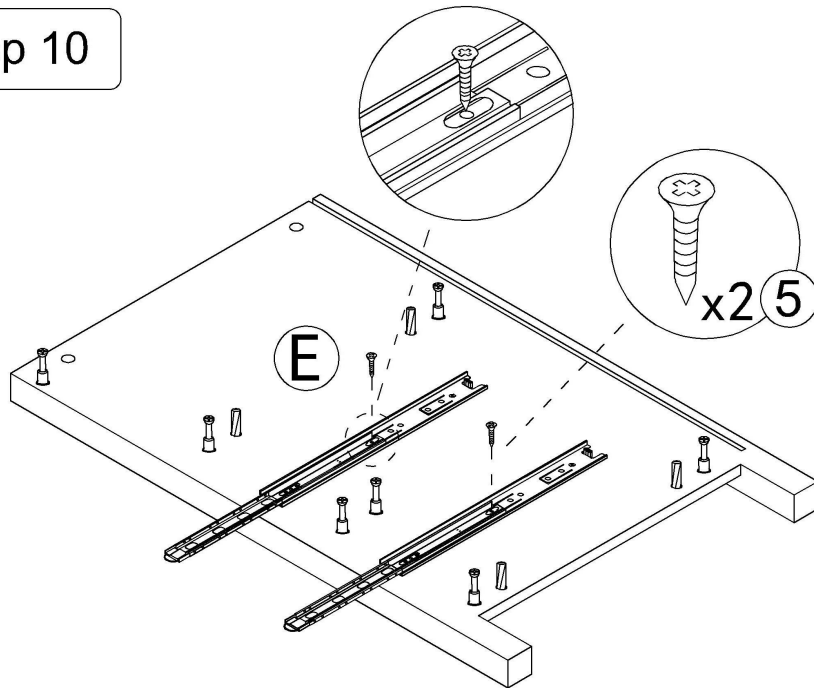
Step 8



Step 9

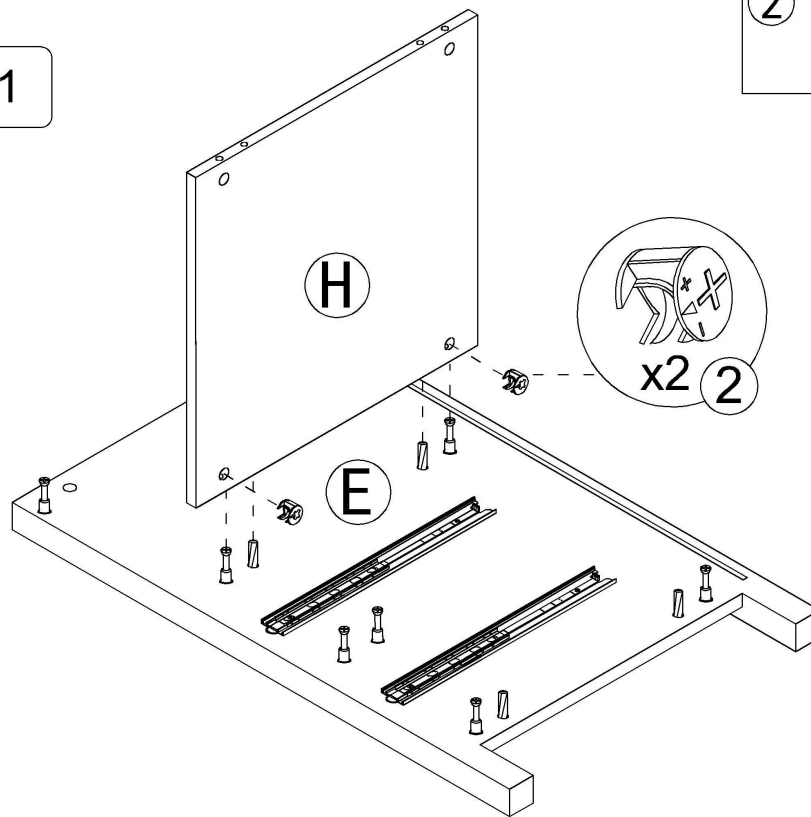


Step 10



This hole is for strengthening fixed hole customers can choose to install according to their needs.

Step 11

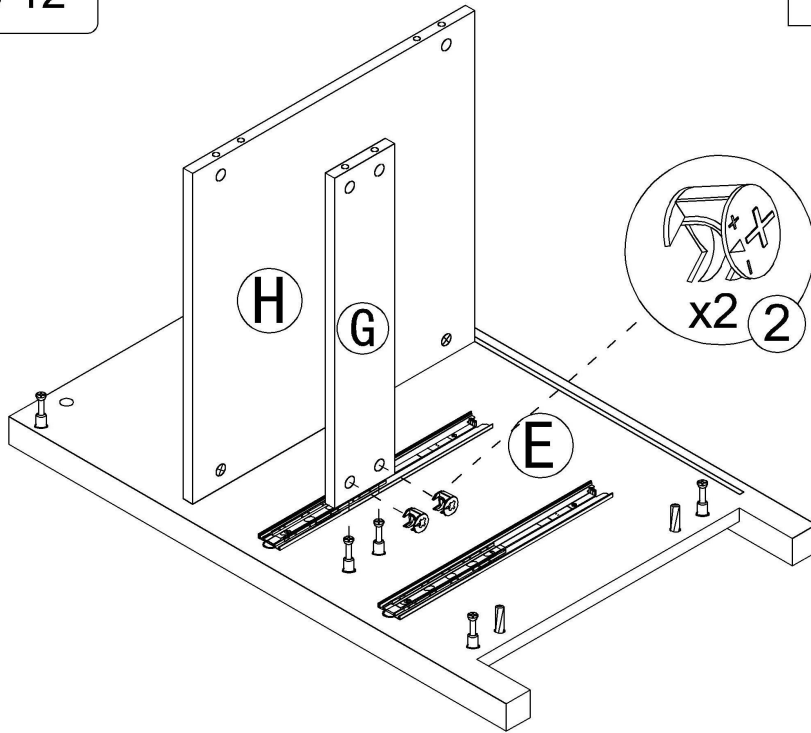


Step 12

2



x2

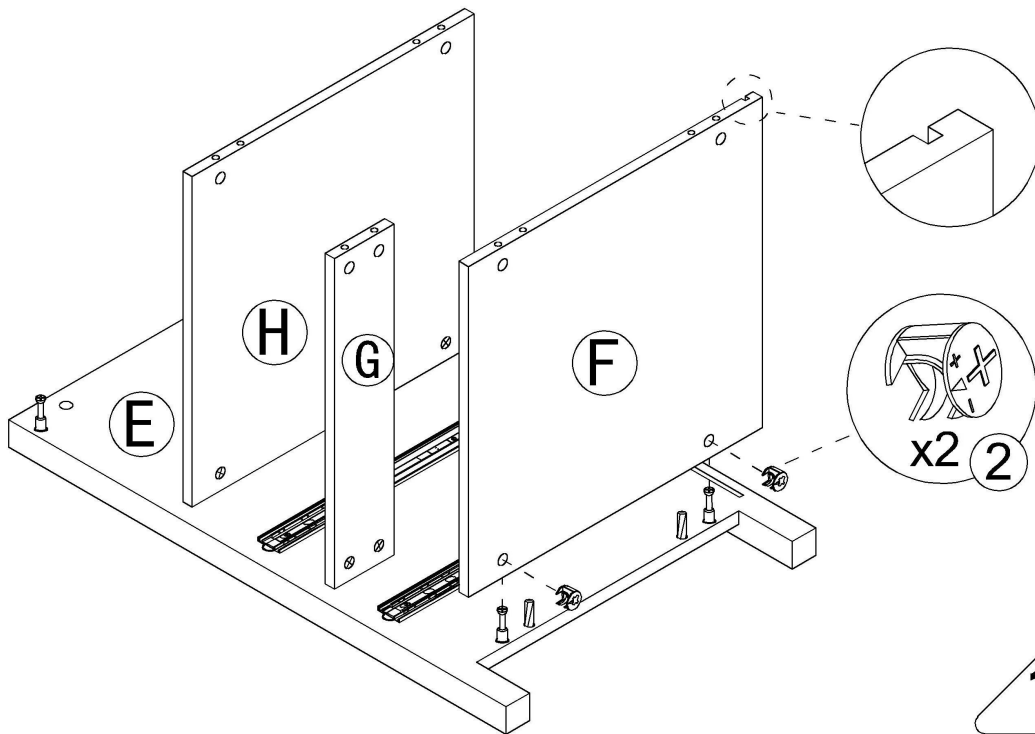


Step 13

2



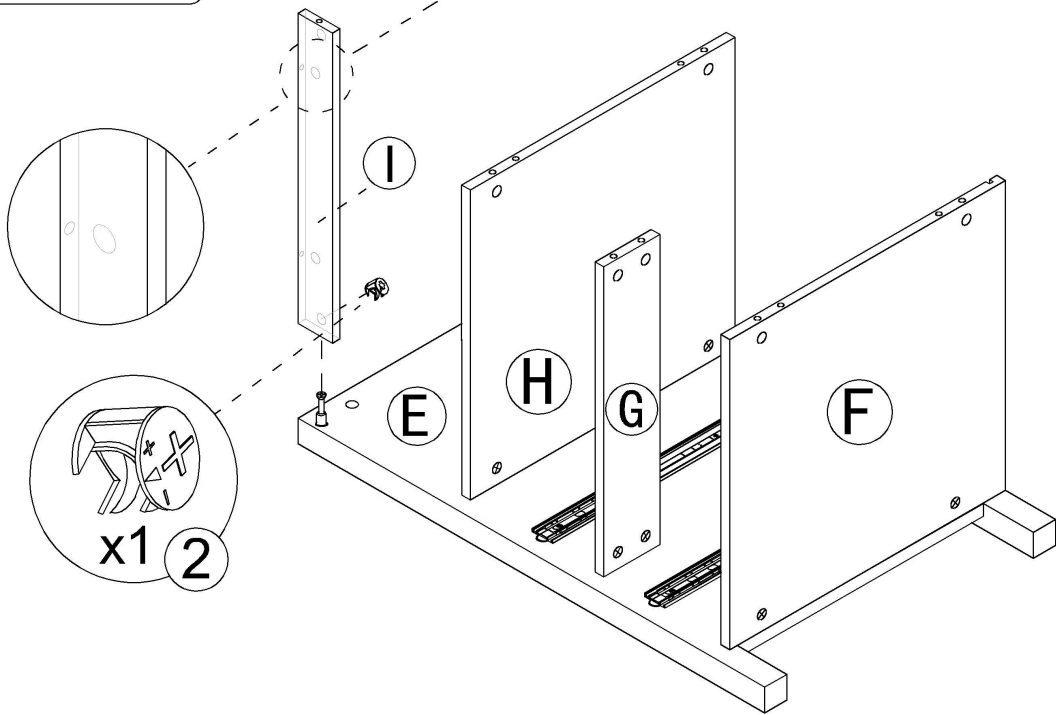
x2



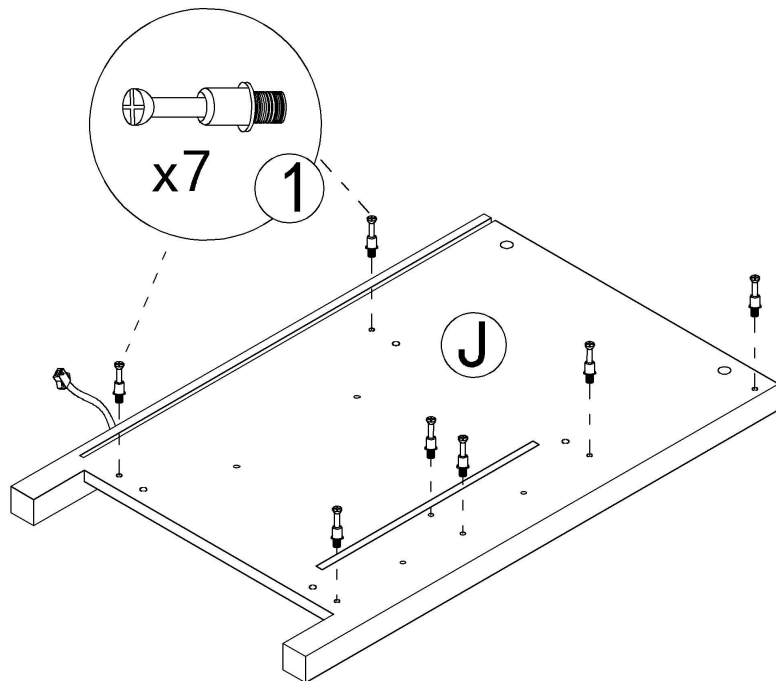
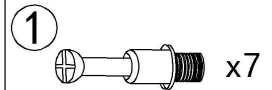
13

Step 14

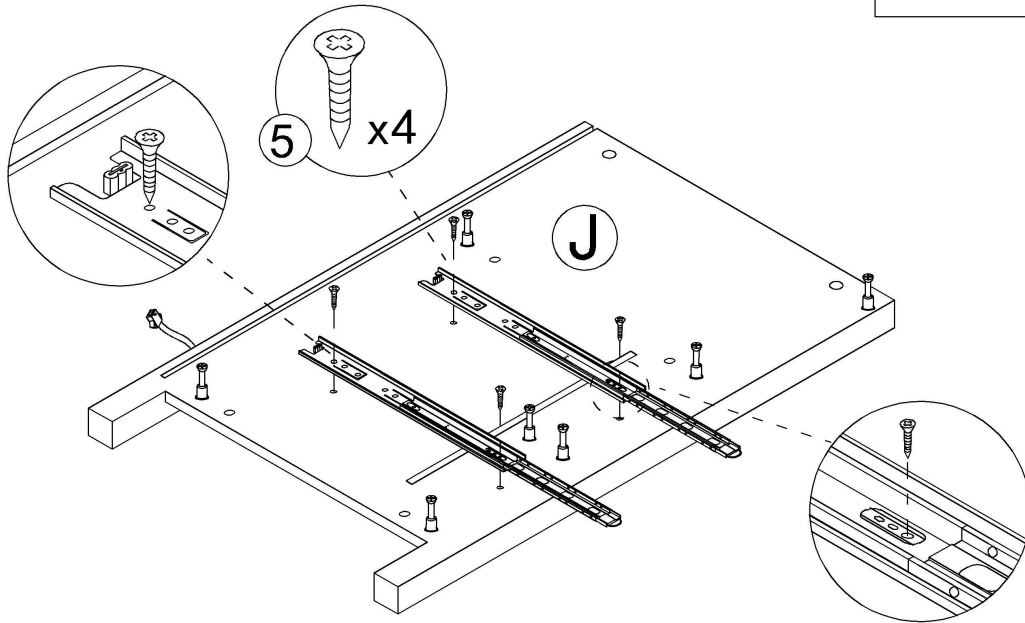
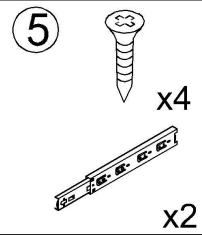
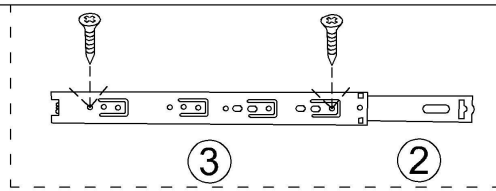
Pay attention to the position of the side holes



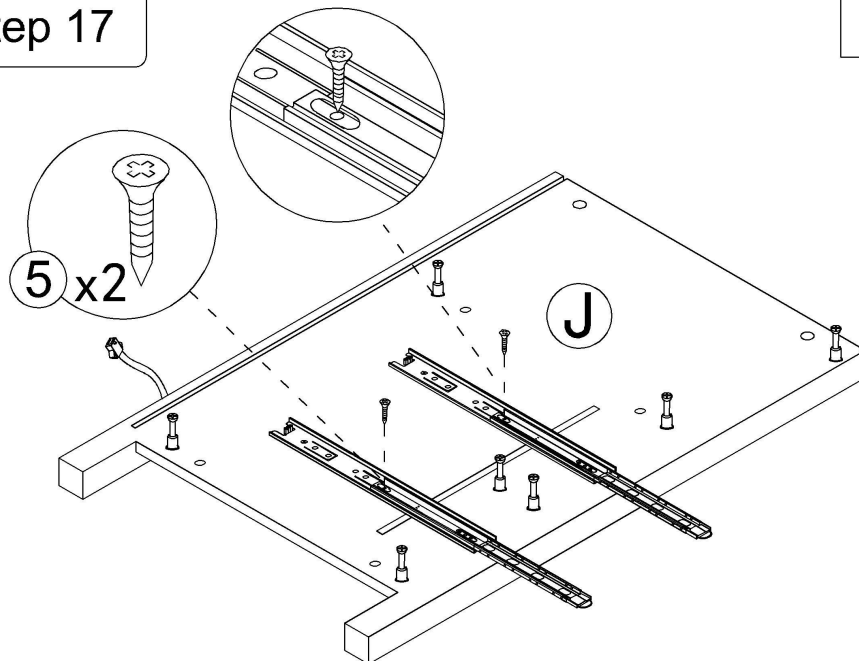
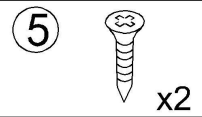
Step 15



Step 16



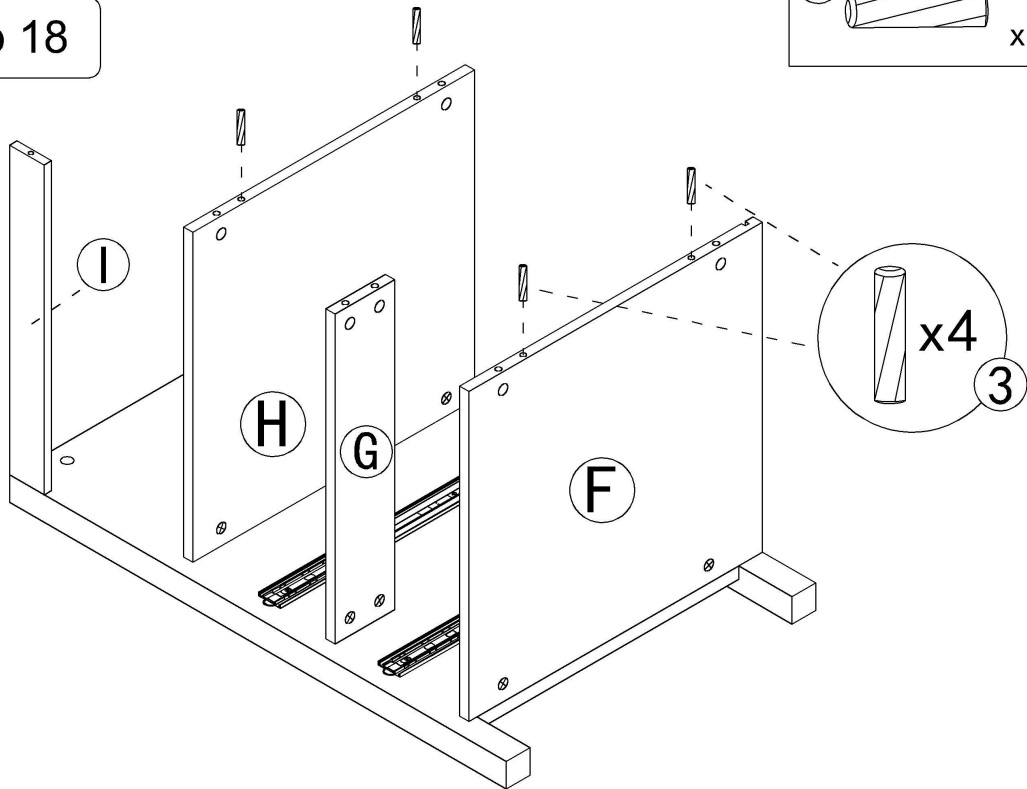
Step 17



This hole is for strengthening fixed hole customers can choose to install according to their needs.

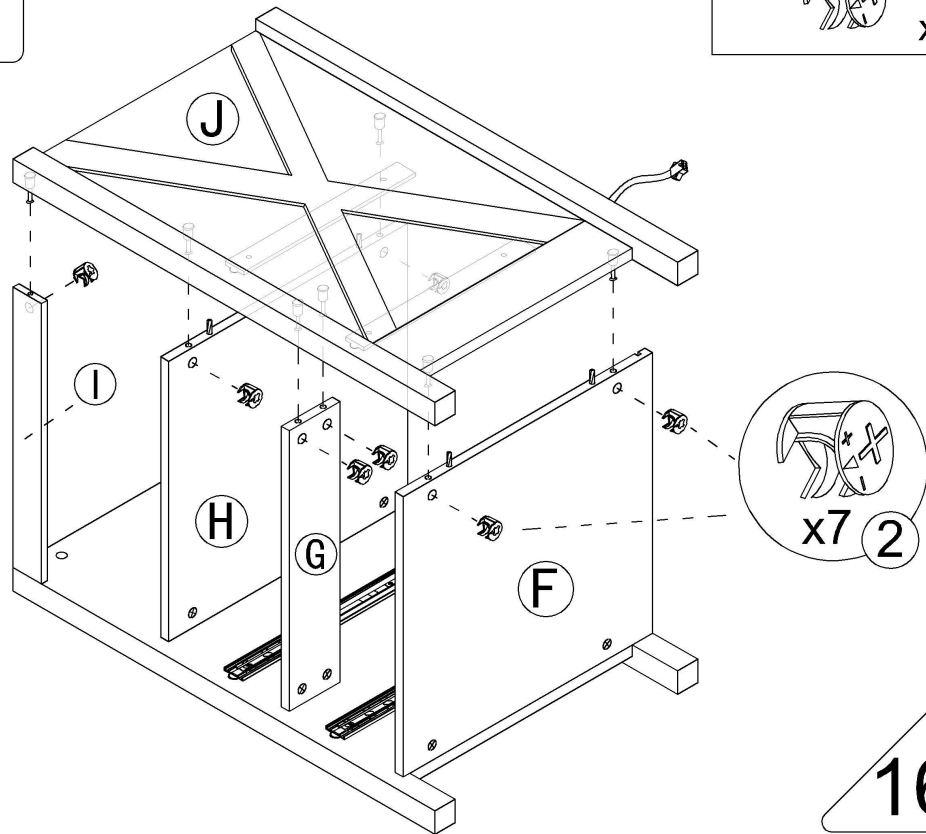
Step 18

3 x4

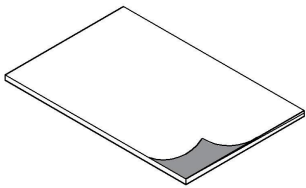


Step 19


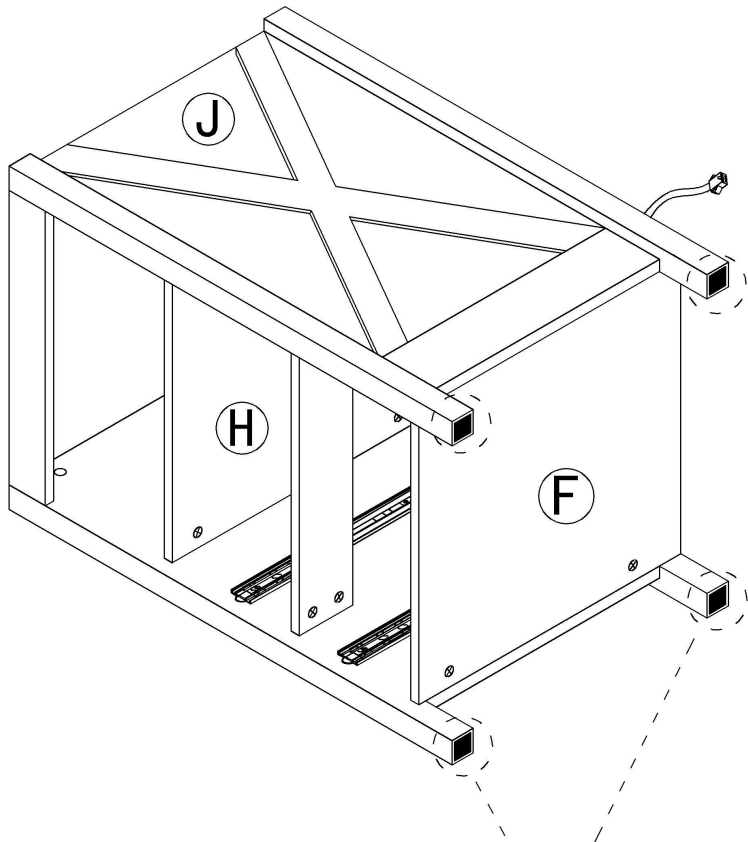
2 x7



Step 20

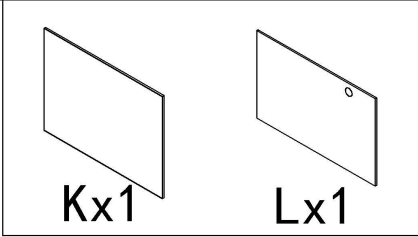
6  x4

Tear off release paper and stick the black foot pad on the board

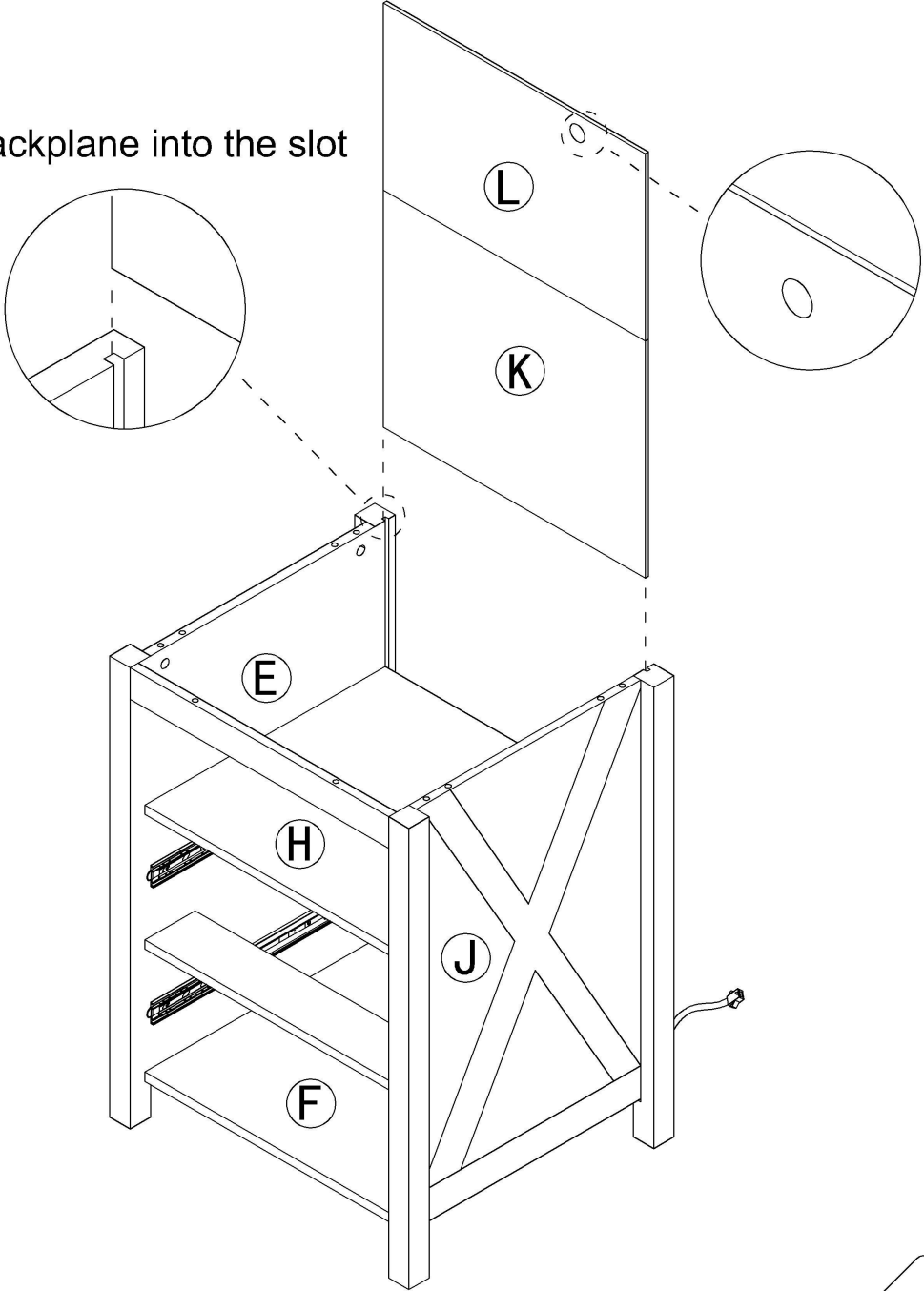


x4 6

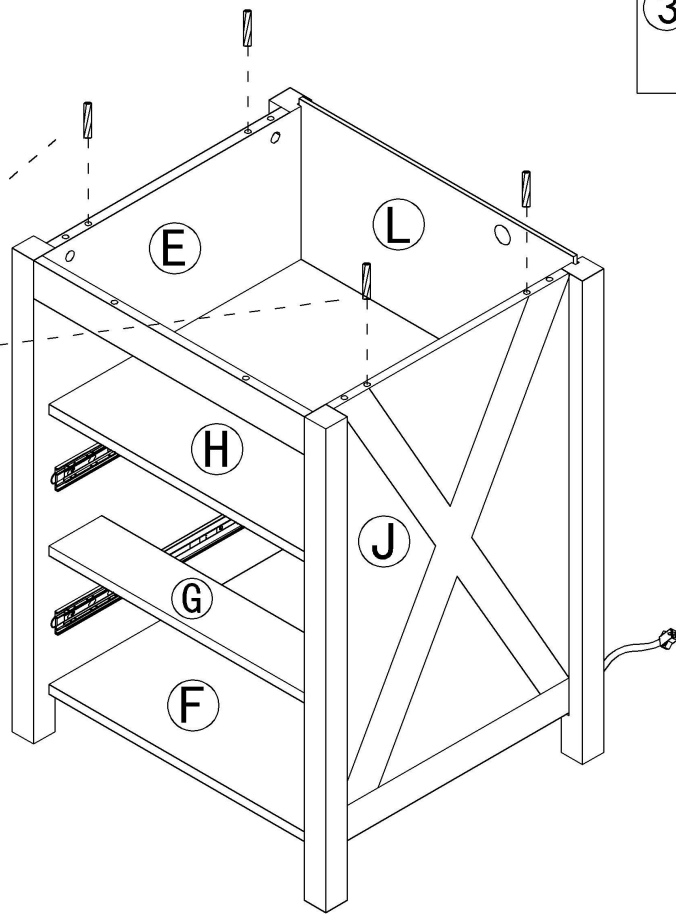
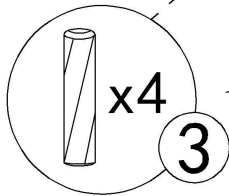
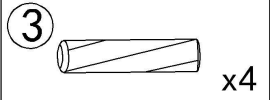
Step 21



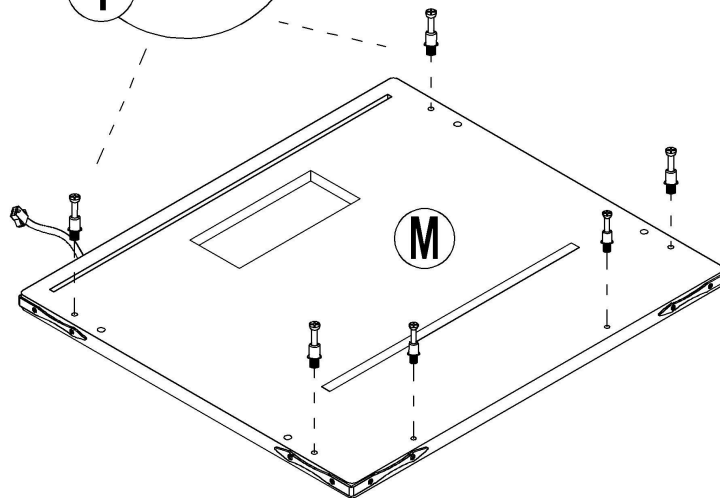
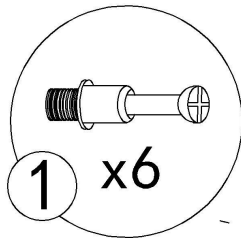
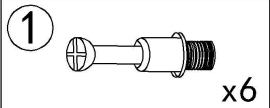
Snap the backplane into the slot



Step 22

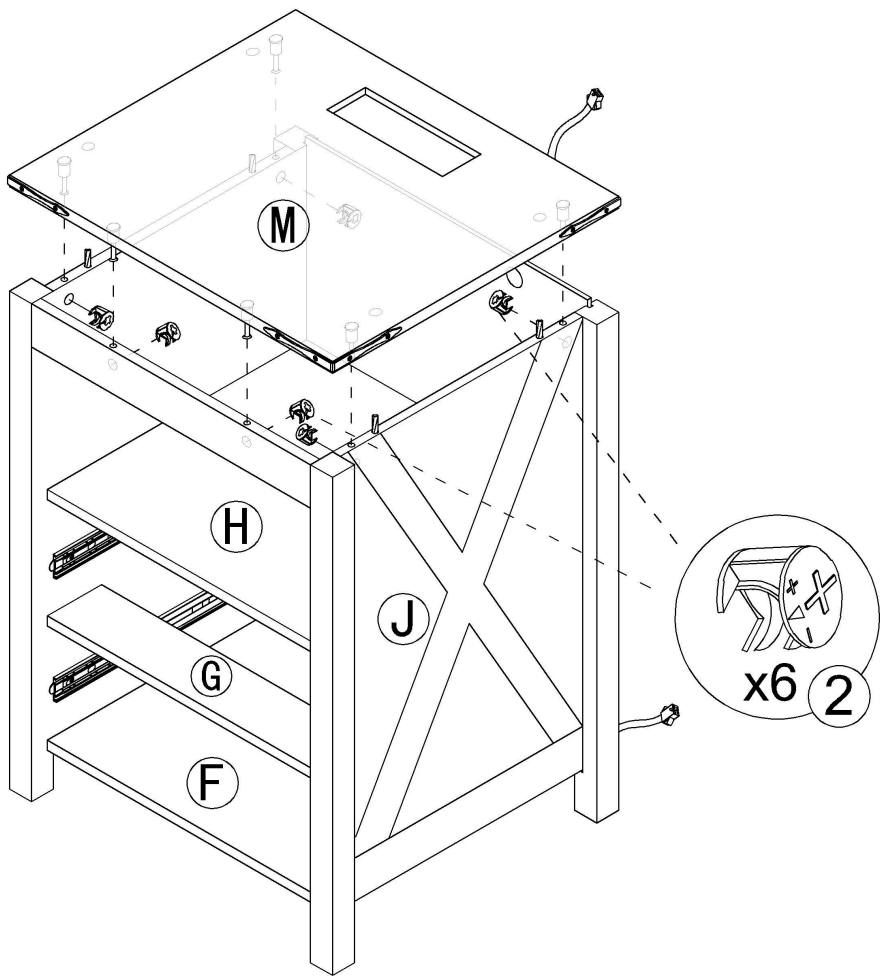


Step 23

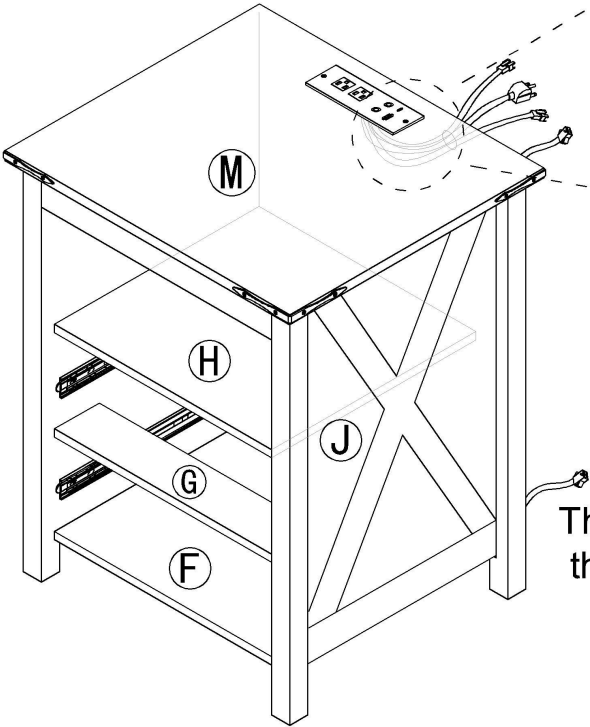
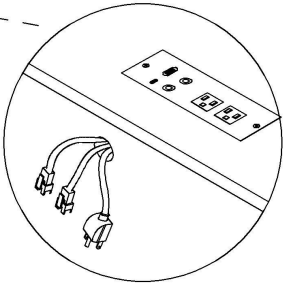
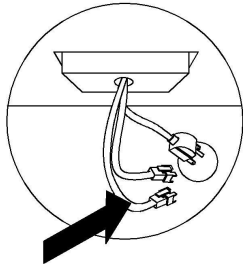
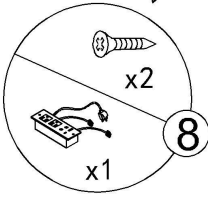
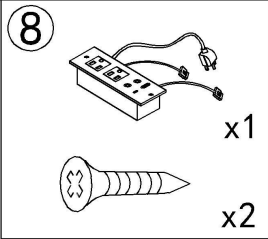
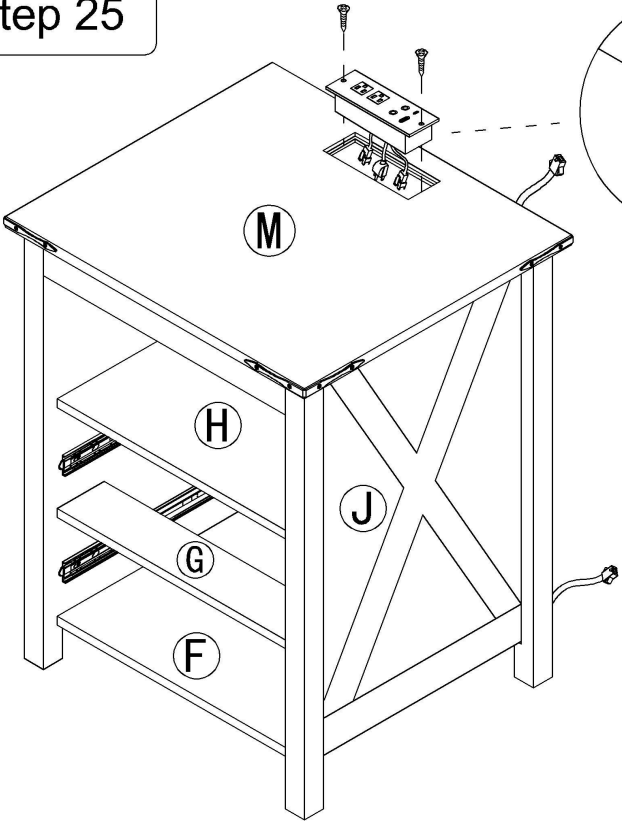


Step 24

2  x6

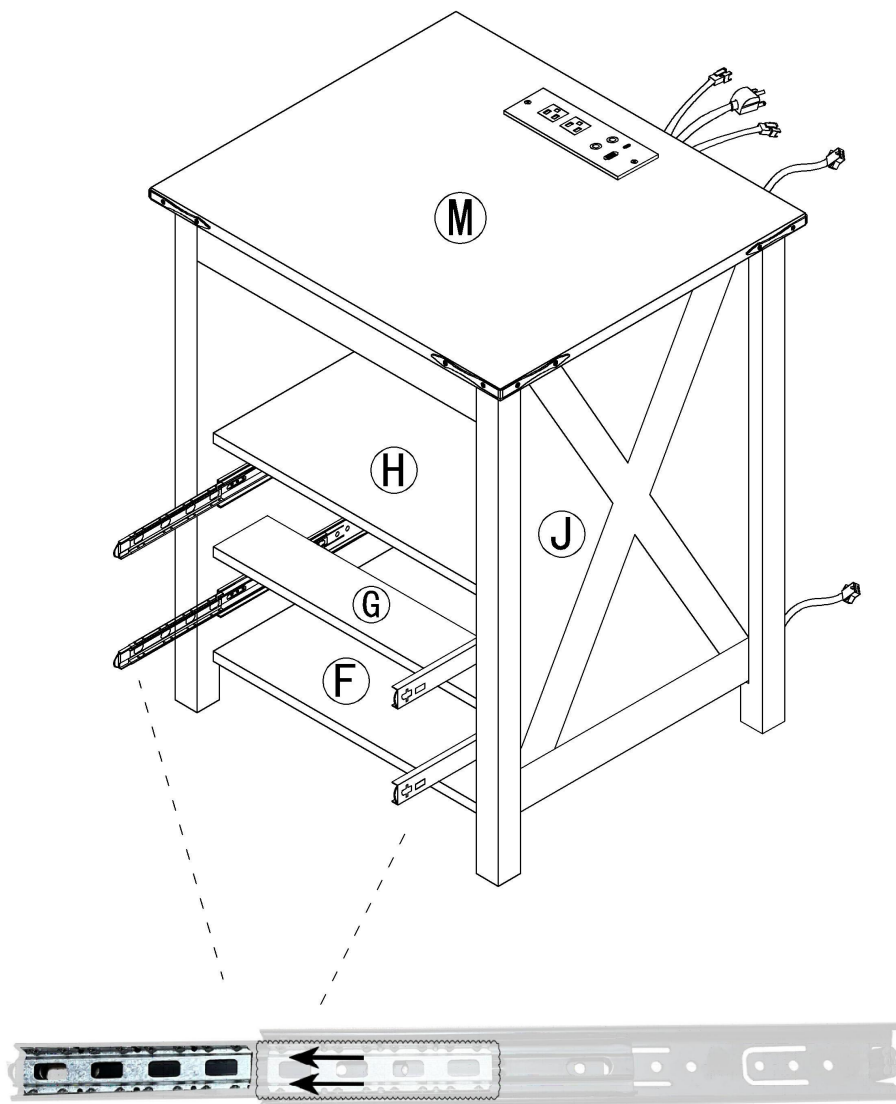


Step 25



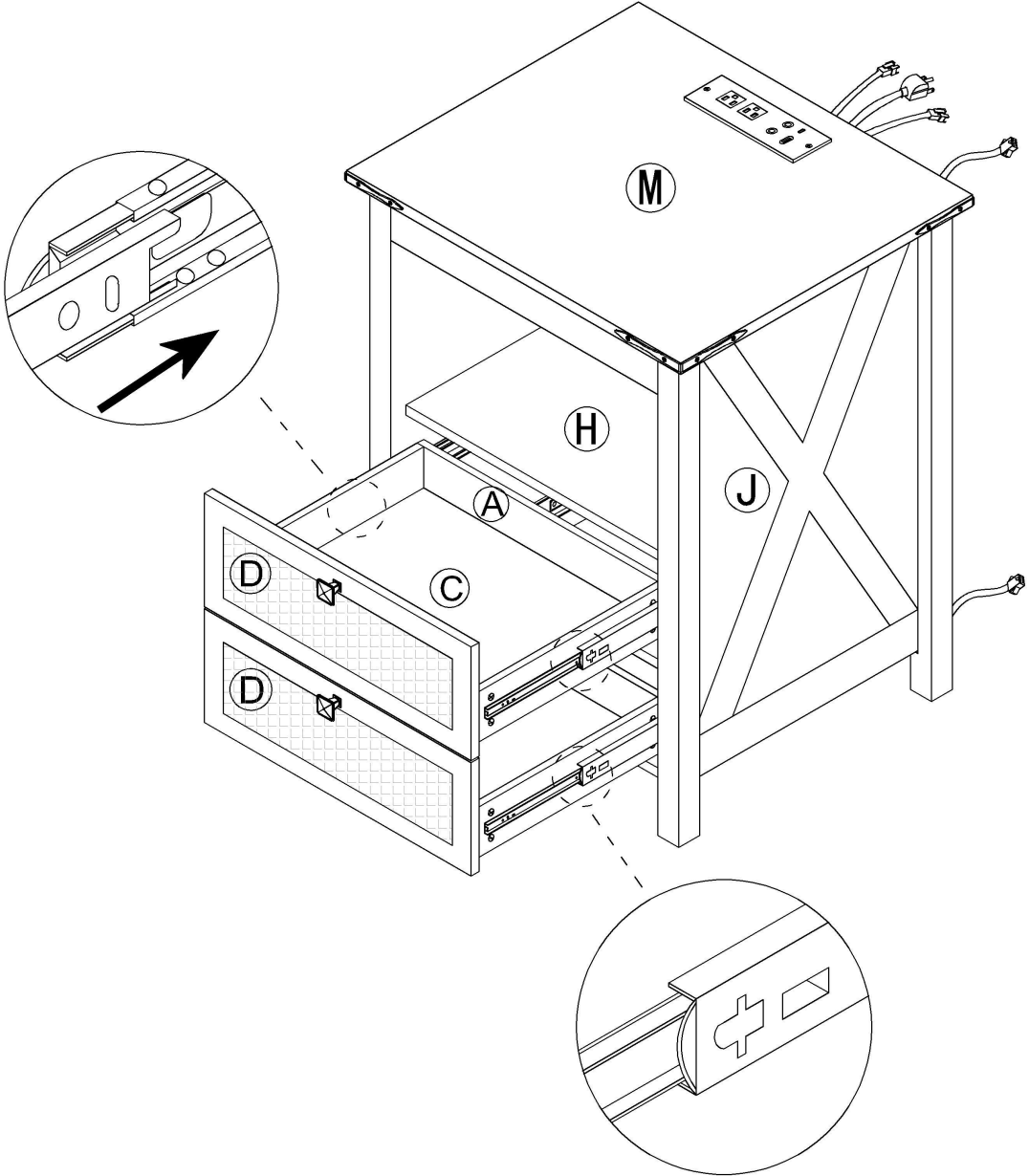
Thread the light wire through the back panel hole

Step 26

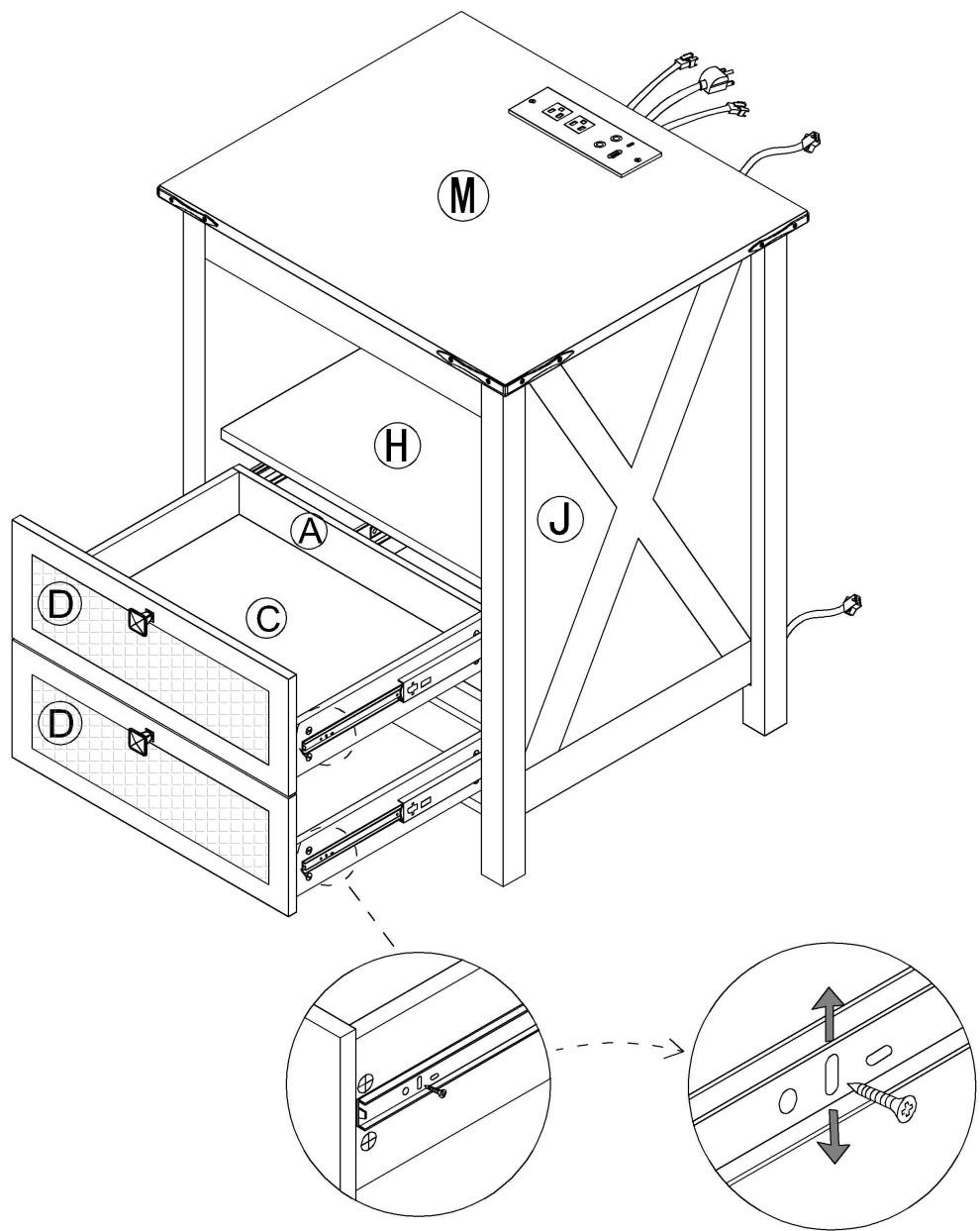


As shown, When installing the drawer,
pull the guide rail out first, Slide beads are also pulled out.

Step 27

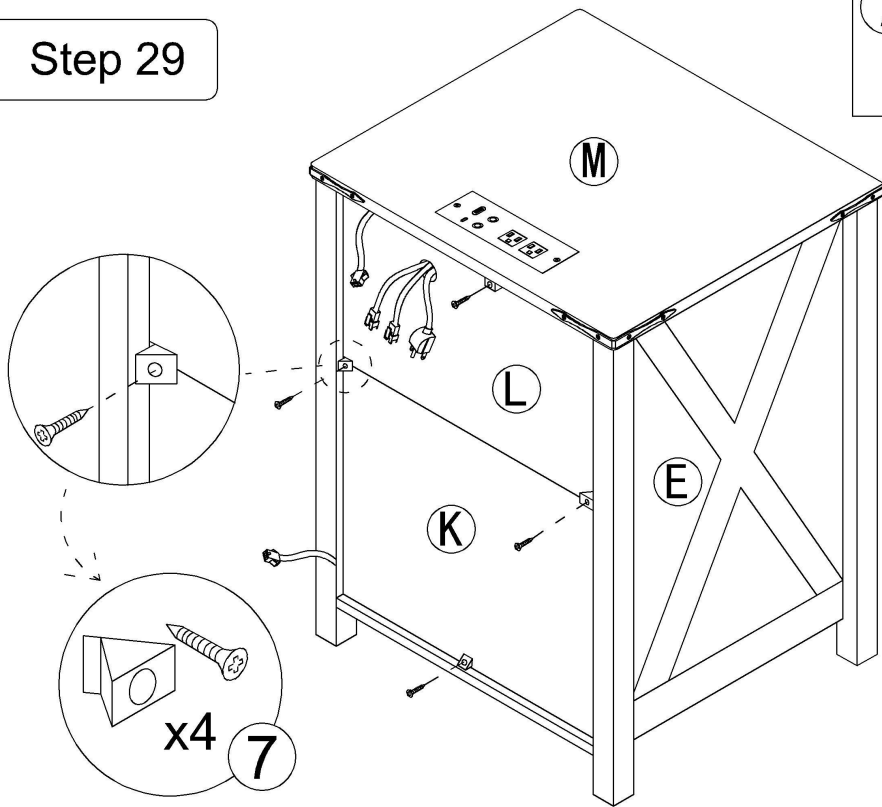
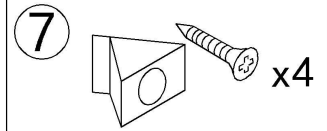


Step 28

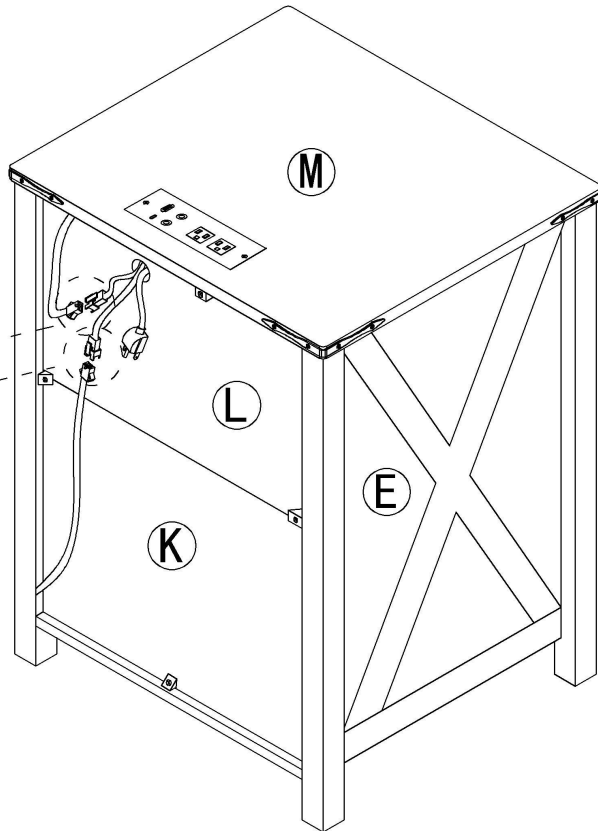
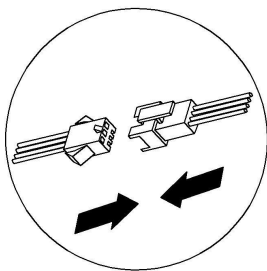


If a large gap is found after installing the drawer the slide rail can be moved up and down to adjust the gap

Step 29

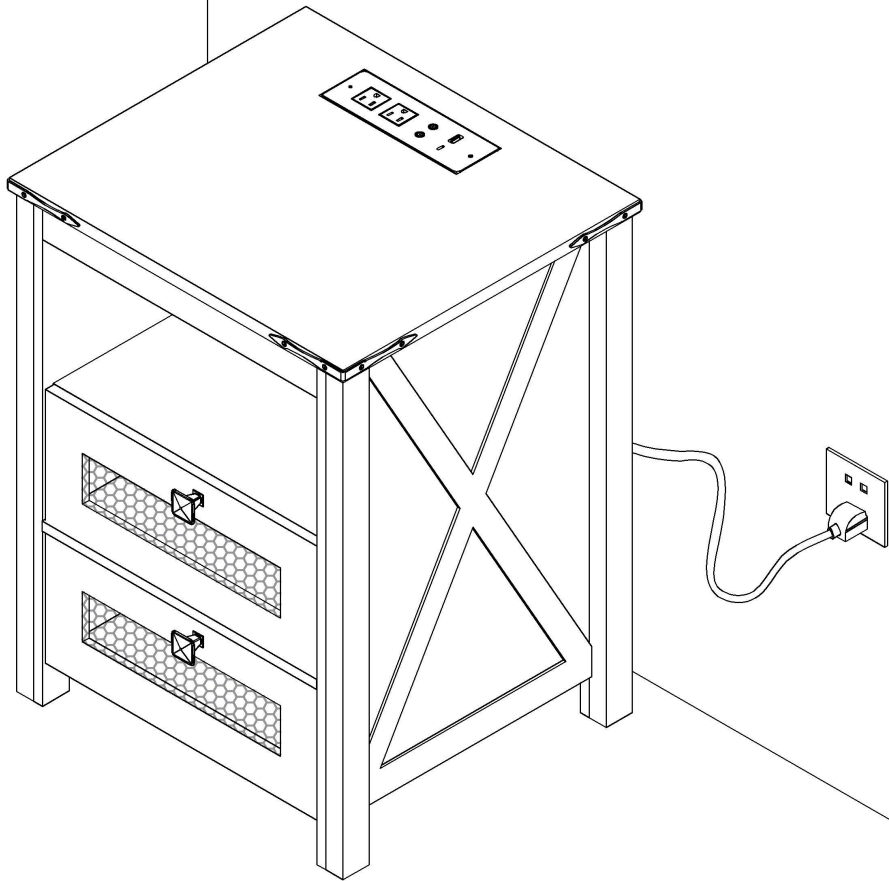


Step 30



Step 31

wall





User's Guide

Thank you for purchasing this product.

To use this product, please plug it into a 12V DC power supply.

Please use if the product works normally after connecting to power.

Introduction

The box is an intelligent controller. It has 1 USB output port 1 Type-c port and can distribute the current output up to 5V DC-1.5A. With 2 touch buttons, it can turn. ON/OFF the light, change light colors, and adjust the light luminance.

Operation



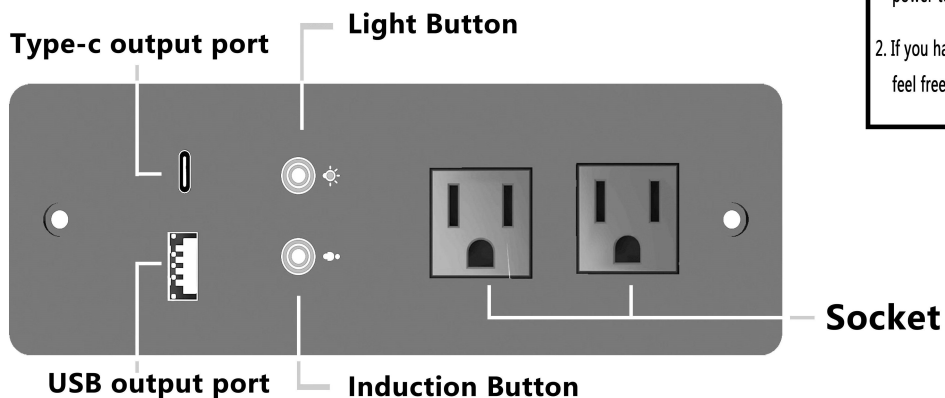
This touch button is used to turn on/off, change colors, and adjust brightness.

- A. Short touch -> lighting on -> short touch -> change light color -> short touch -> change light color -> short touch -> lighting off.
- B. Long touch -> adjust the luminance.



This touch button is used to turn on/off the induction function.

- A. Short touch to turn on the induction function. It can auto-turn on the light when people are close to the controller in 1 meters. It can auto power off the light when the body is far away from the controller after 30 seconds.
- B. Long touch to turn off the induction function.
- C. Note: When you touch the light button to change the light modes, the induction function will automatically turn off. It is best to turn on this function after selecting the light color and adjusting the brightness you want.



ATTENTION PLEASE

1. If there is no touch response suddenly, Re-plug the power to reset the touch static electricity.
2. If you have any questions when installing, please feel free to contact us. Thank you.