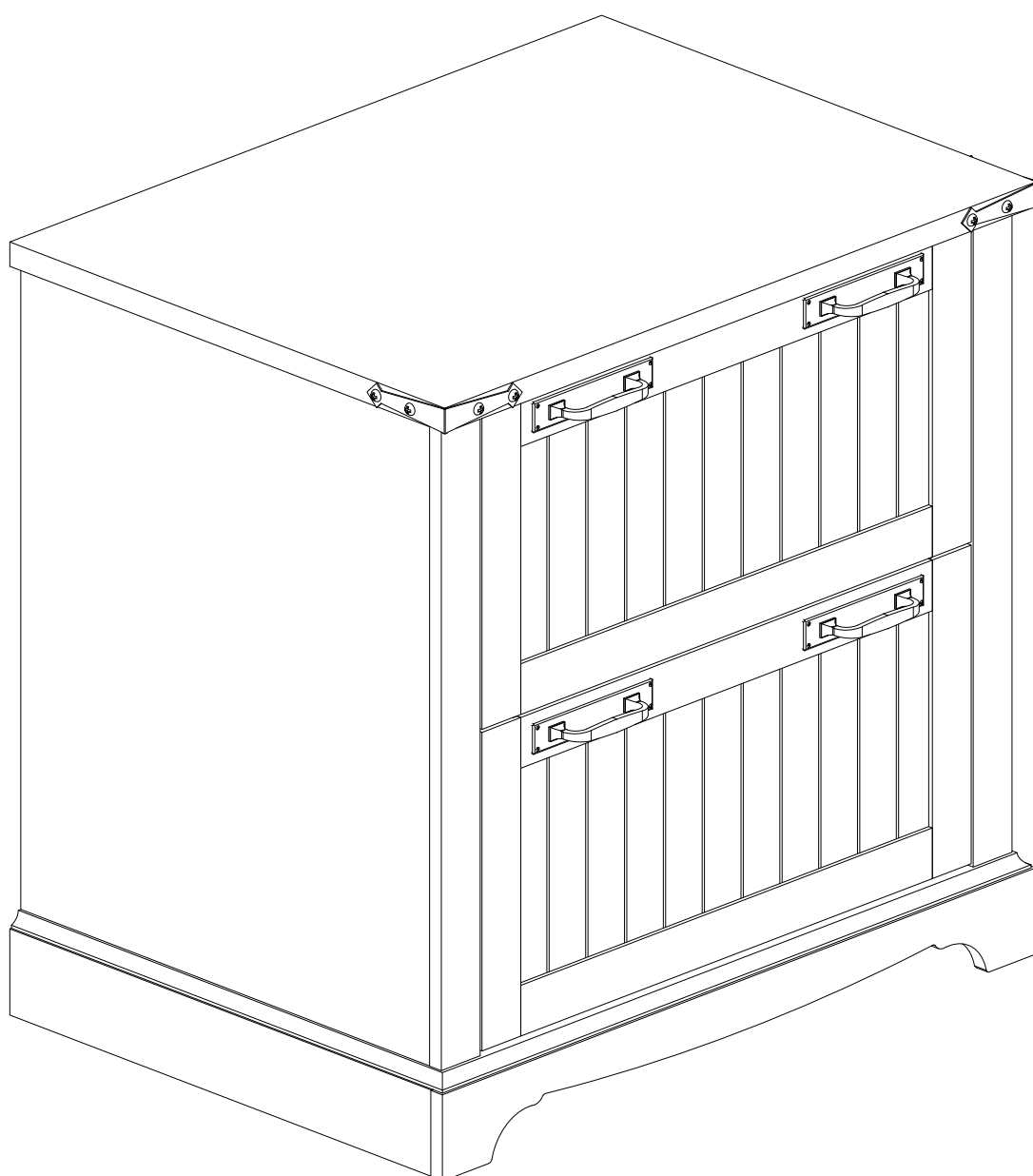
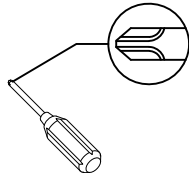


Assembly Instructions

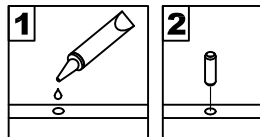


General Assembly Guidelines

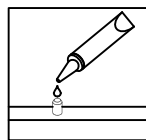
- I. Ensure that all parts and hardware are available before beginning assembly.
- II. Follow each step carefully to ensure the proper assembly of this product.
- III. Two people are recommended for ease in the assembly of this product.
- VI. A Phillips head screwdriver is required for the assembly of this product .



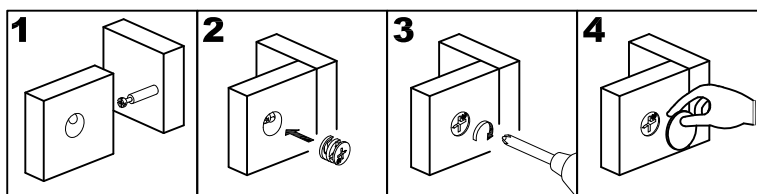
- V. The provided glue is to secure wood dowels in place . When first inserting dowels , locate the appropriate hole for the dowel , place a small amount of glue in the hole and insert the dowel . Wipe away excess glue immediately.



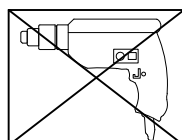
In future assembly steps when dowels are necessary to attach assembly parts together , place a small amount of glue on the end of the dowel before attaching parts together . Wipe away excess glue immediately.



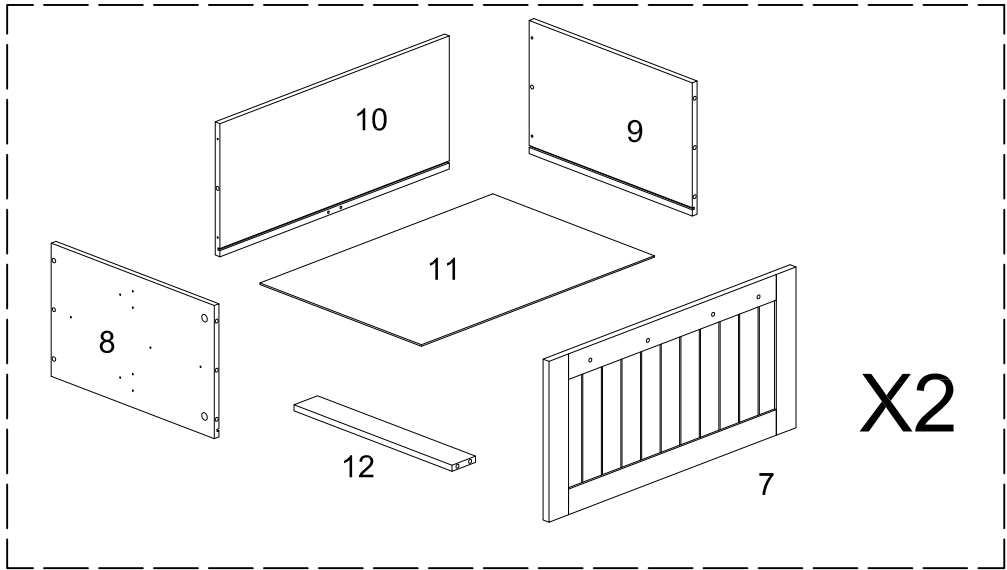
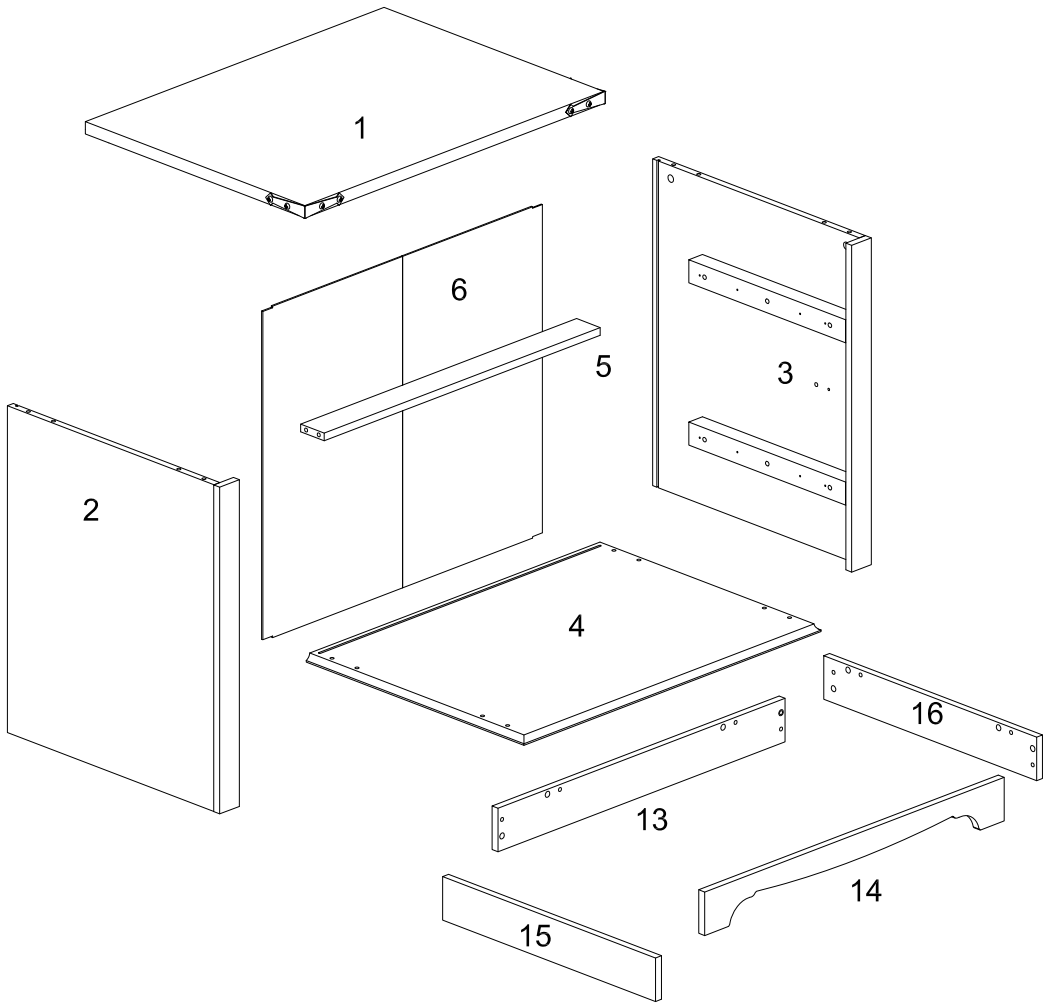
- VI. **HOW THE KNOCK DOWN (KD) ASSEMBLY SYSTEM WORKS**
 - 1.Screw the Cam Bolt into the pre-drilled hole on the panel. Make sure Cam Bolt goes into the pre-drilled hole on the end of panel for Cam Lock.
 - 2.Insert the Cam Lock into the pre-drilled large hole on the panel. Make sure the arrow on the face of Cam Lock points towards Cam Bolt.
 - 3.Take a Phillips screwdriver and rotate the Cam Lock clockwise to lock the Cam Bolt.
 - 4.Use the sticker to conceal the Cam.




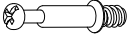



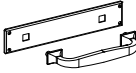

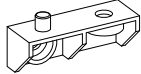







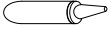
- VII. Power tools should not be used to assemble this product .

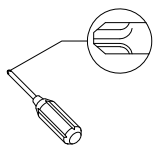


Parts List



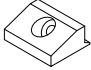
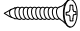

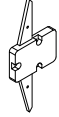



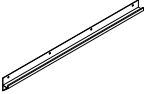


Hardware List

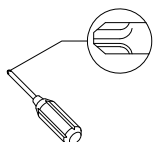
| | | | | |
|---|---|----------|------------------|--------|
| A |  | Ø8x30mm | Dowel | 10 pcs |
| B |  | Ø6x35mm | Cam Bolt | 18 pcs |
| C |  | Ø15x12mm | Cam Lock | 6 pcs |
| D |  | Ø15x10mm | Cam Lock (Small) | 12 pcs |
| E |  | Ø30mm | Cam Cover | 18 pcs |
| F |  | | Handle | 4 pcs |
| G |  | Ø4x9mm | Handle bolt | 8 pcs |
| H |  | | Connector | 12 pcs |
| I |  | 1/4x12mm | Bolt | 24 pcs |
| J |  | Ø6x50mm | Screw | 4 pcs |
| K |  | Ø3x15mm | Screw | 3 pcs |
| L |  | Ø3x12mm | Screw | 42 pcs |
| M |  | Ø4x32mm | Screw | 12 pcs |
| N |  | Ø6x30mm | Dowel (Small) | 8 pcs |
| O |  | M4 | Allen Wrench | 1 pc |
| P |  | | Glue Tube | 1 pc |



Philips head screwdriver required for assembly
(not included)

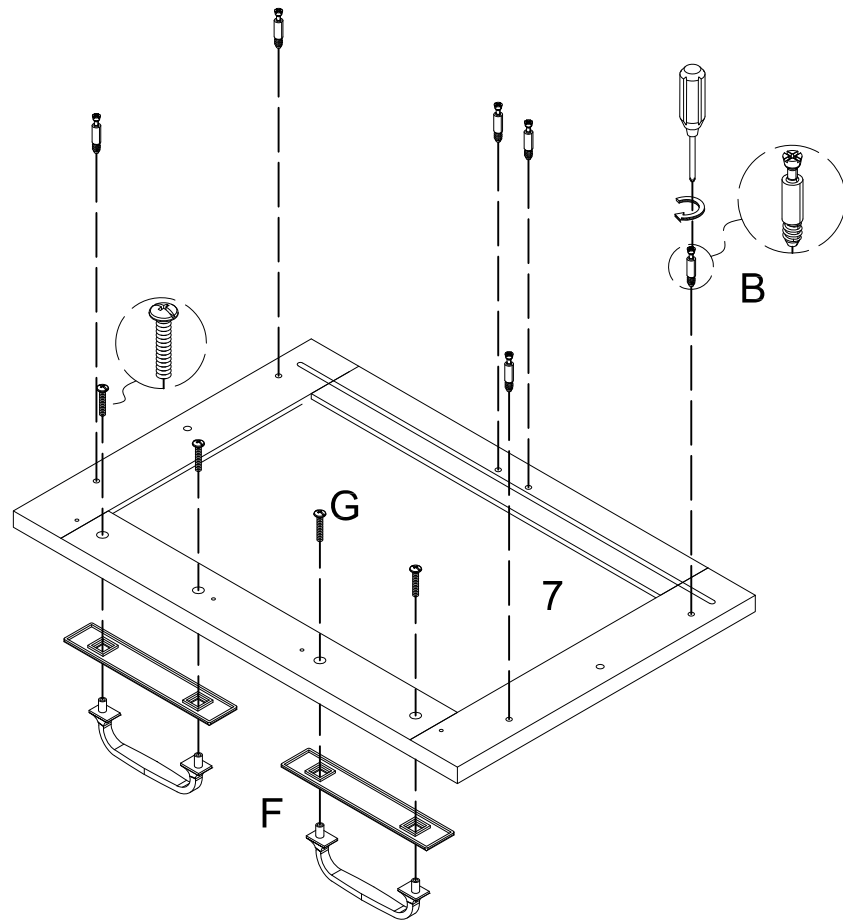
Hardware List

| | | | | |
|---|---|---------|----------------------------|--------|
| Q |  | | Plastic Wedge | 10 pcs |
| R |  | Ø3x17mm | Flat-head Screw | 10 pcs |
| S |  | 16" | Drawer Slider | 2 sets |
| T |  | | Safety Stop | 1 PC |
| U |  | | Drawer Stop | 2 PCS |
| V |  | | Long File Rail | 2 pcs |
| W |  | | Short File Rail | 4 pcs |
| X |  | | Fixed file rail | 2 pcs |
| Y |  | | File hanger | 2 pcs |
| Z |  | | Tipping Restraint Hardware | 1 set |



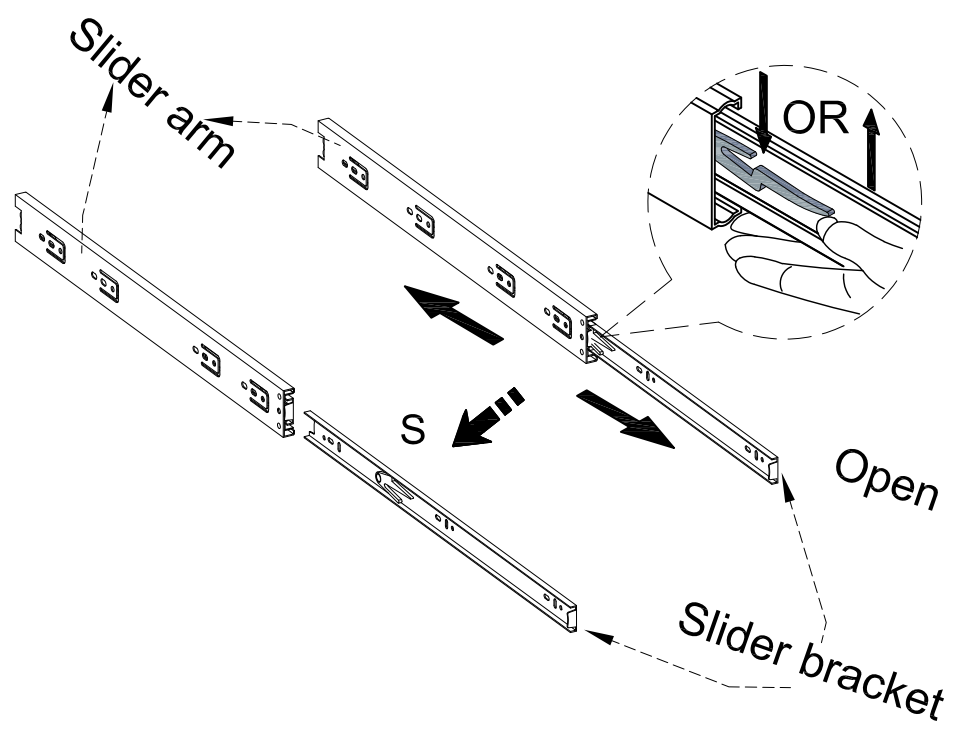
Philips head screwdriver required for assembly
(not included)

Step 1



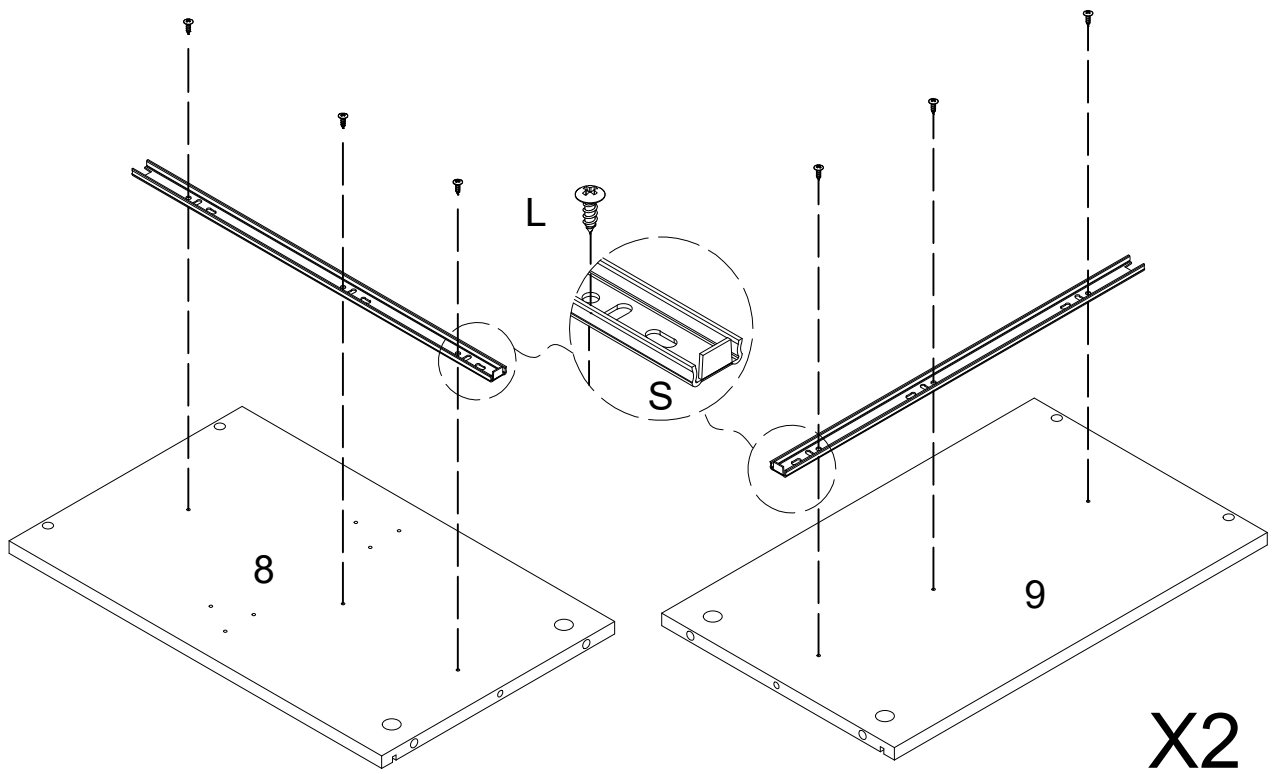
X2

Step 2

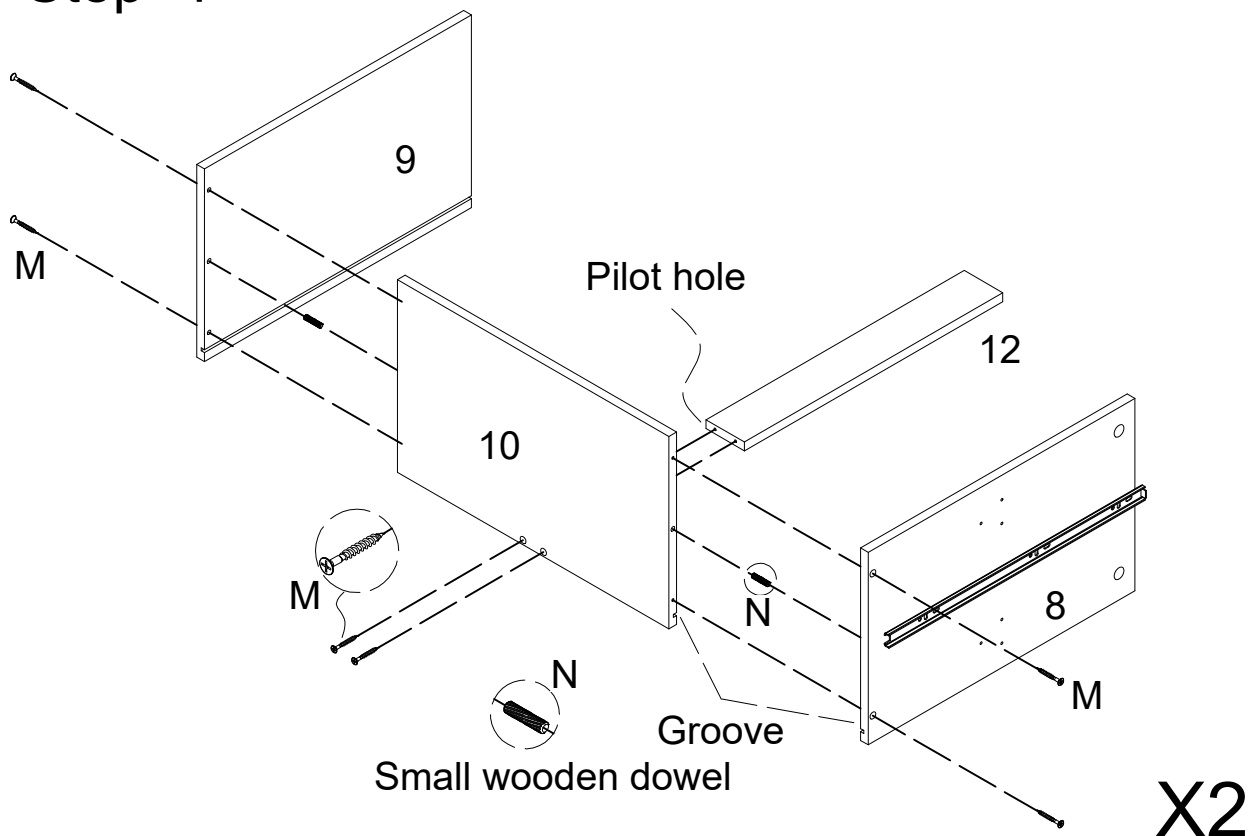


X4

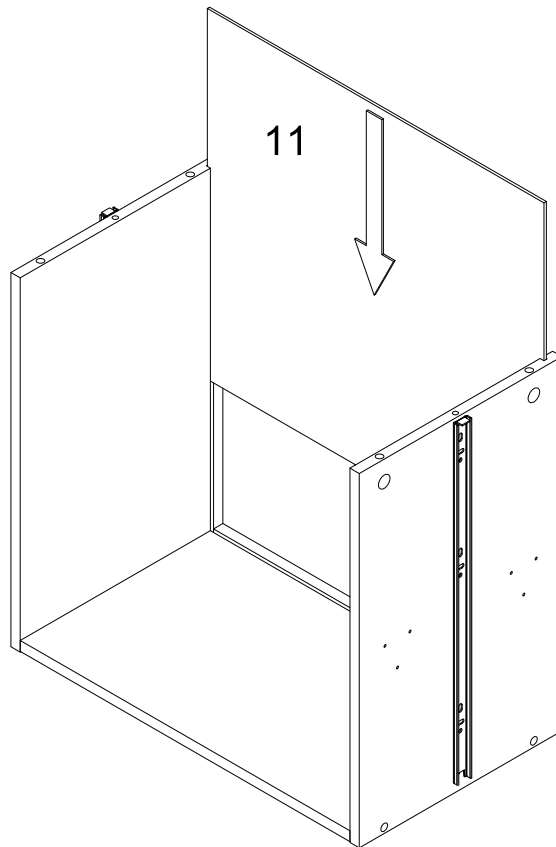
Step 3



Step 4

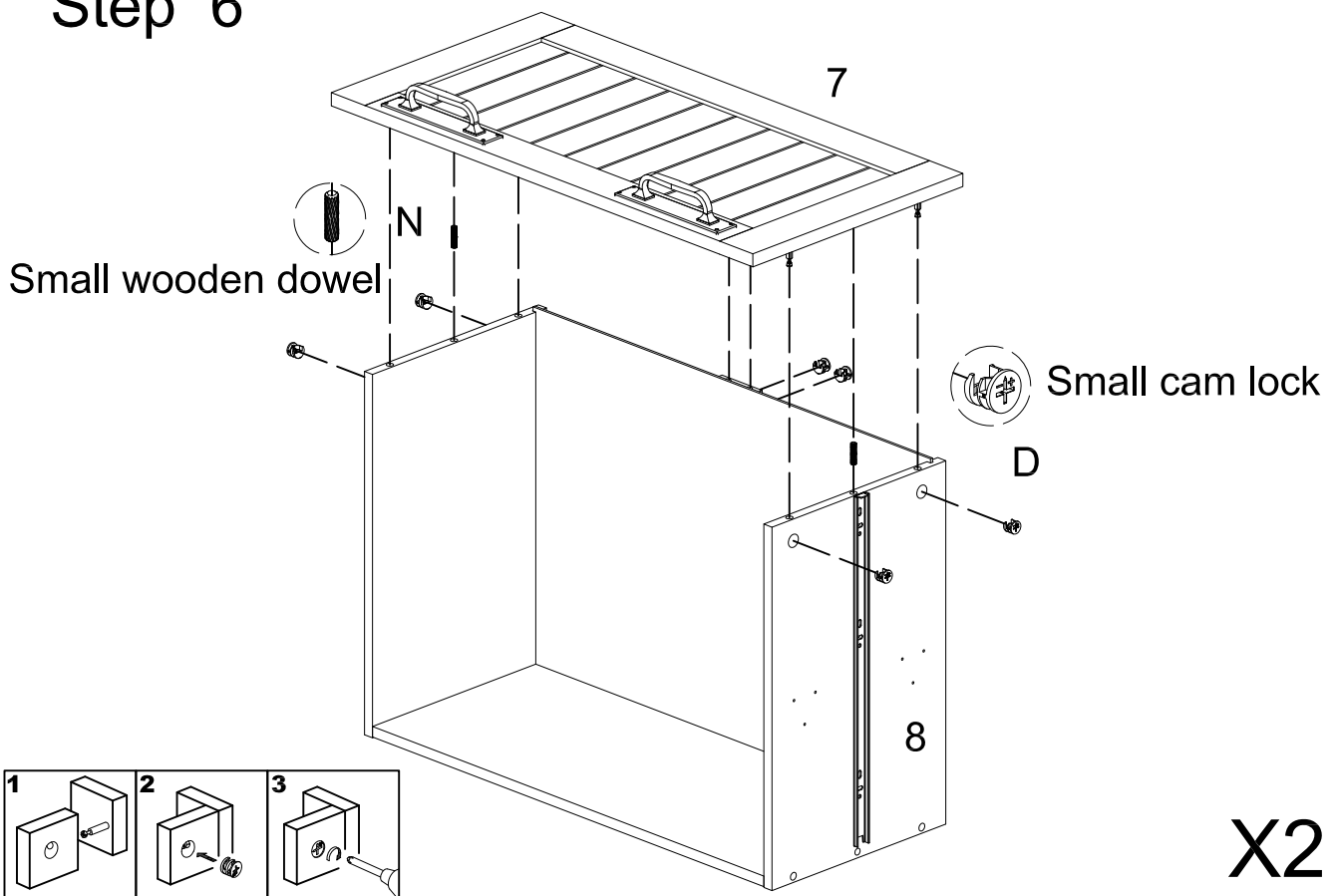


Step 5



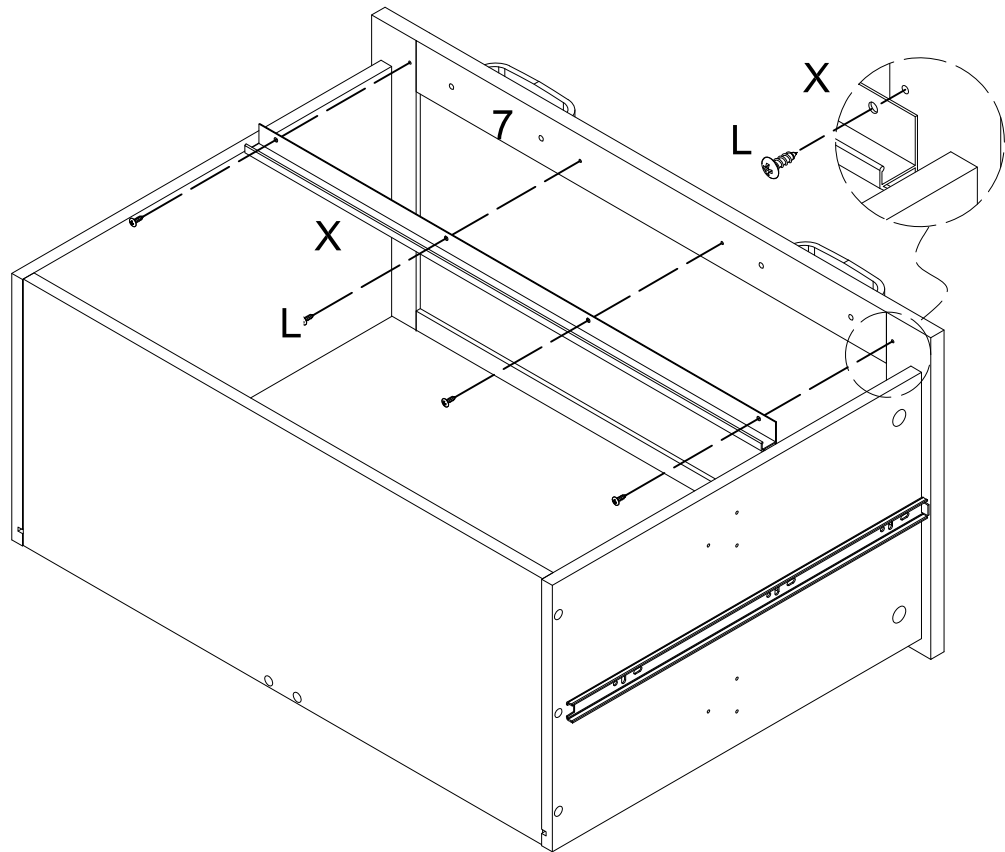
X2

Step 6



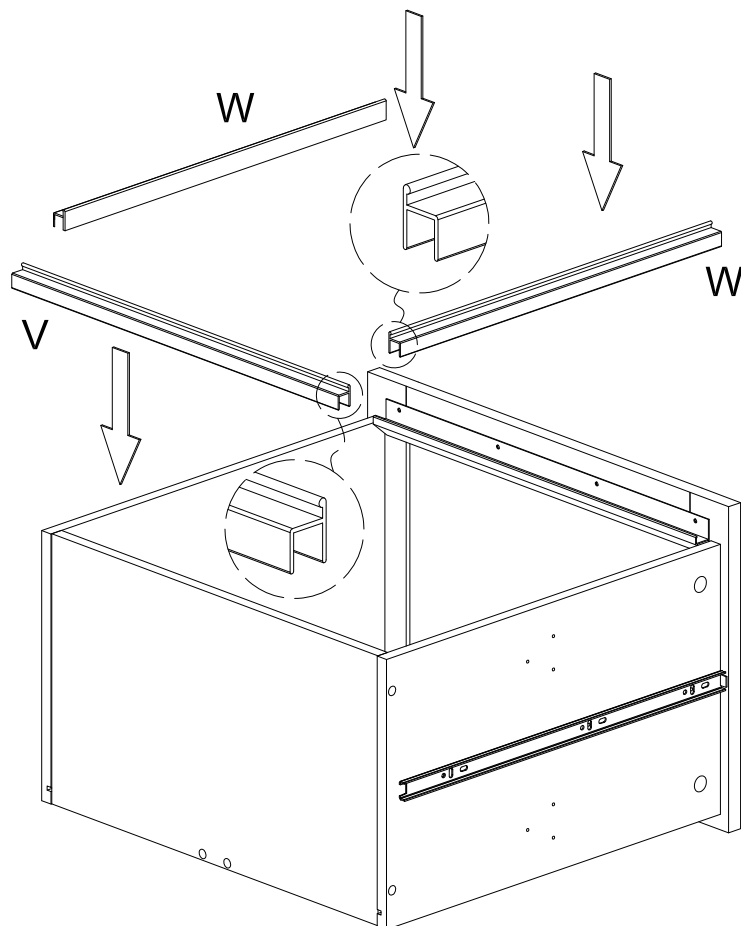
X2

Step 7



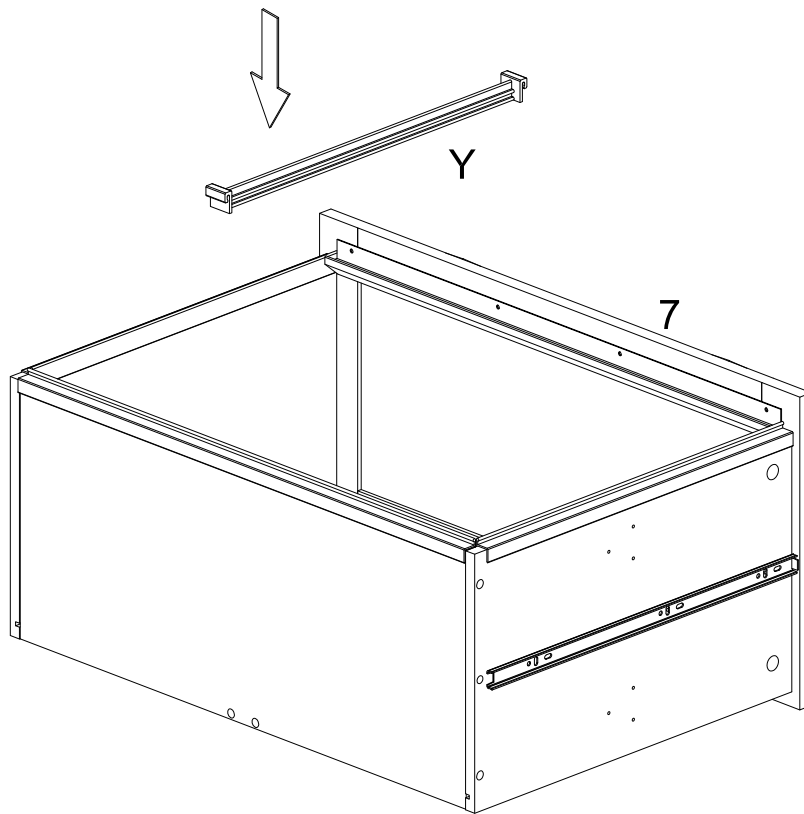
X2

Step 8



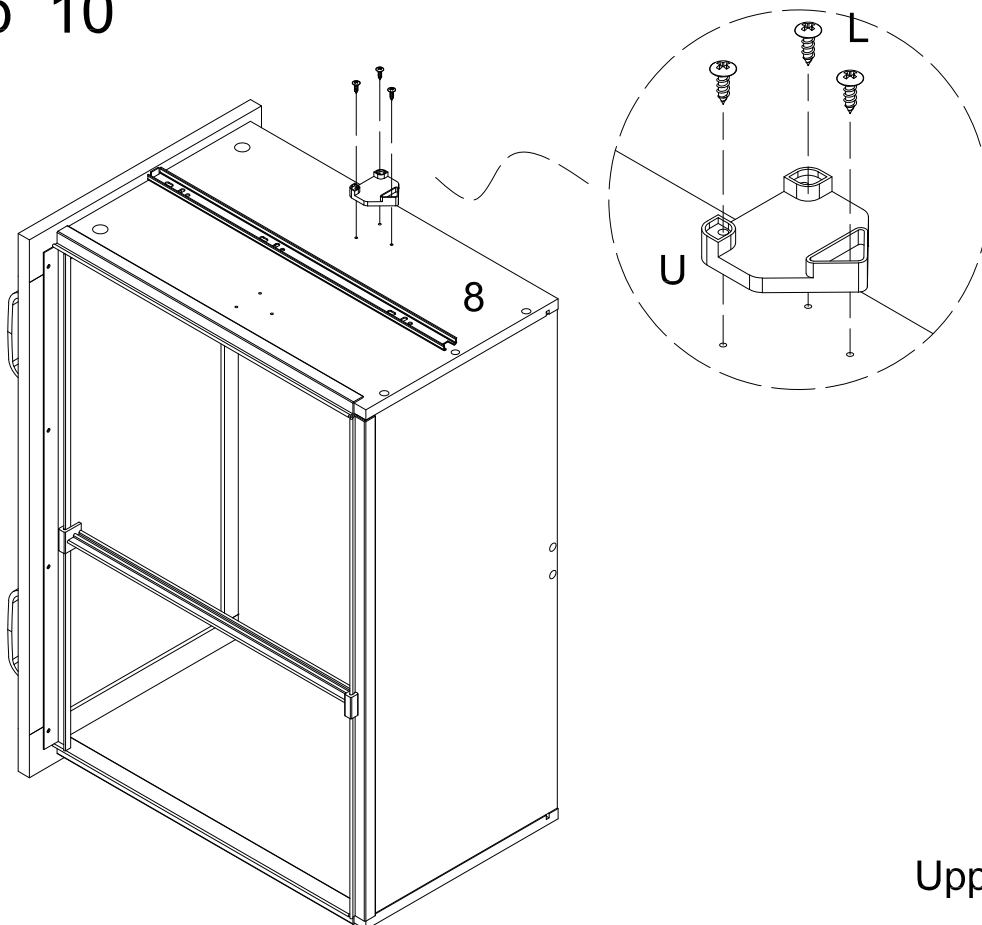
X2

Step 9



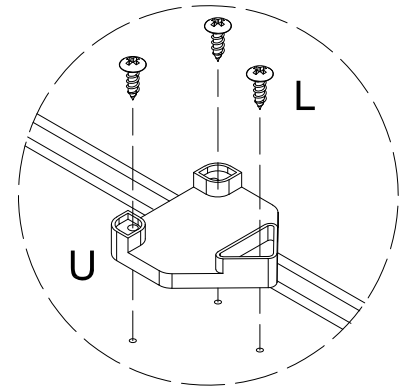
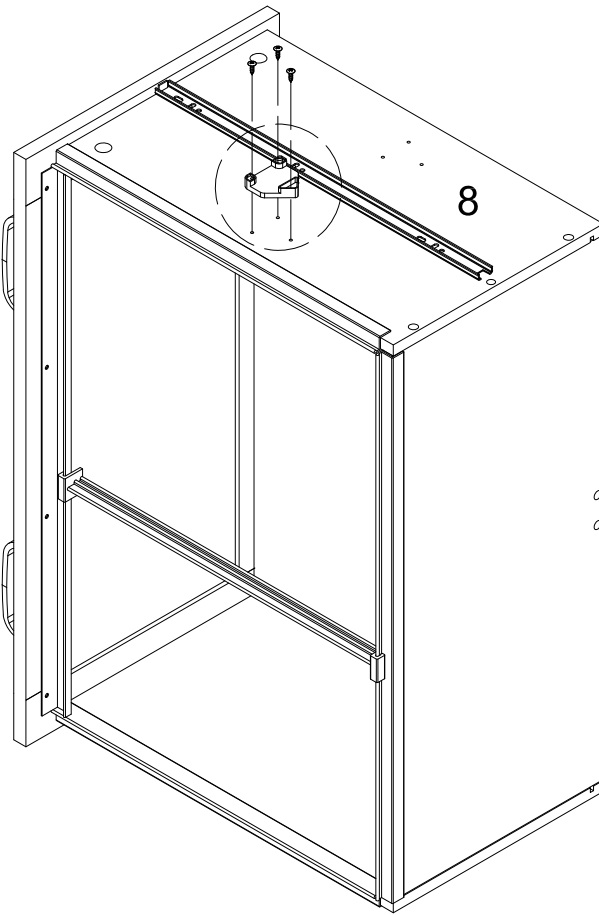
X2

Step 10



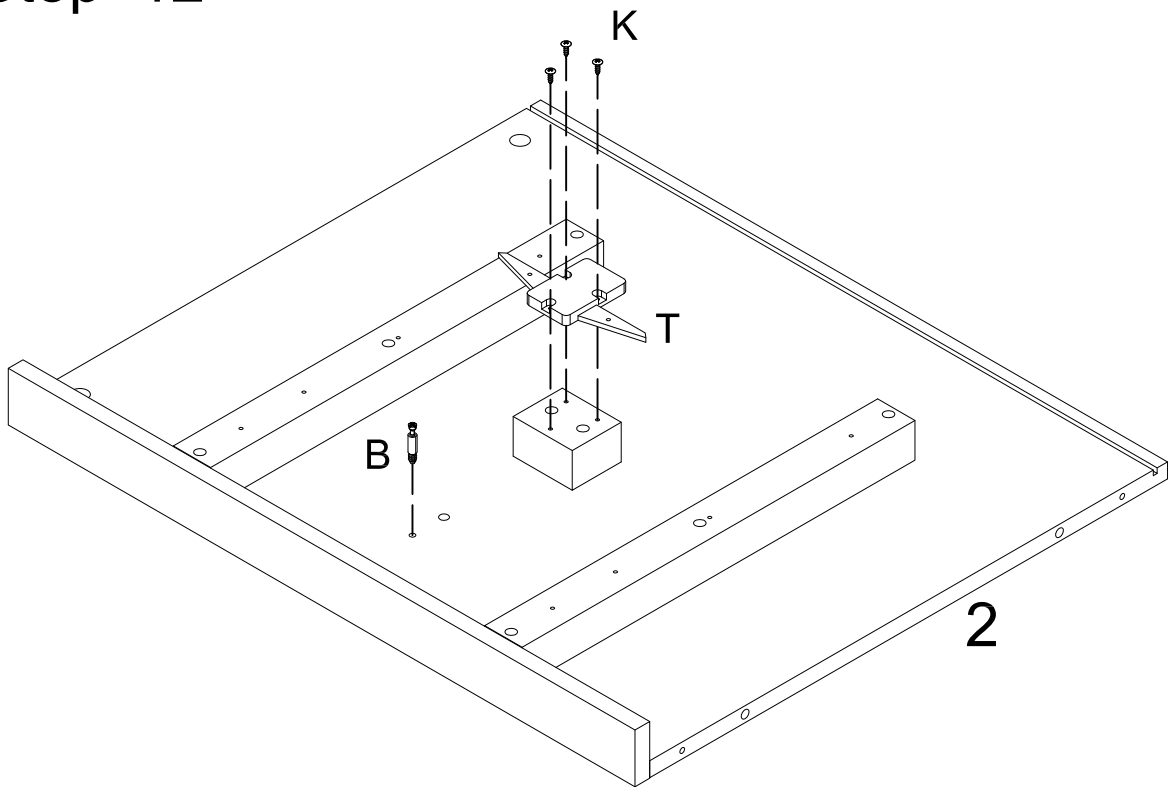
Upper Drawer

Step 11

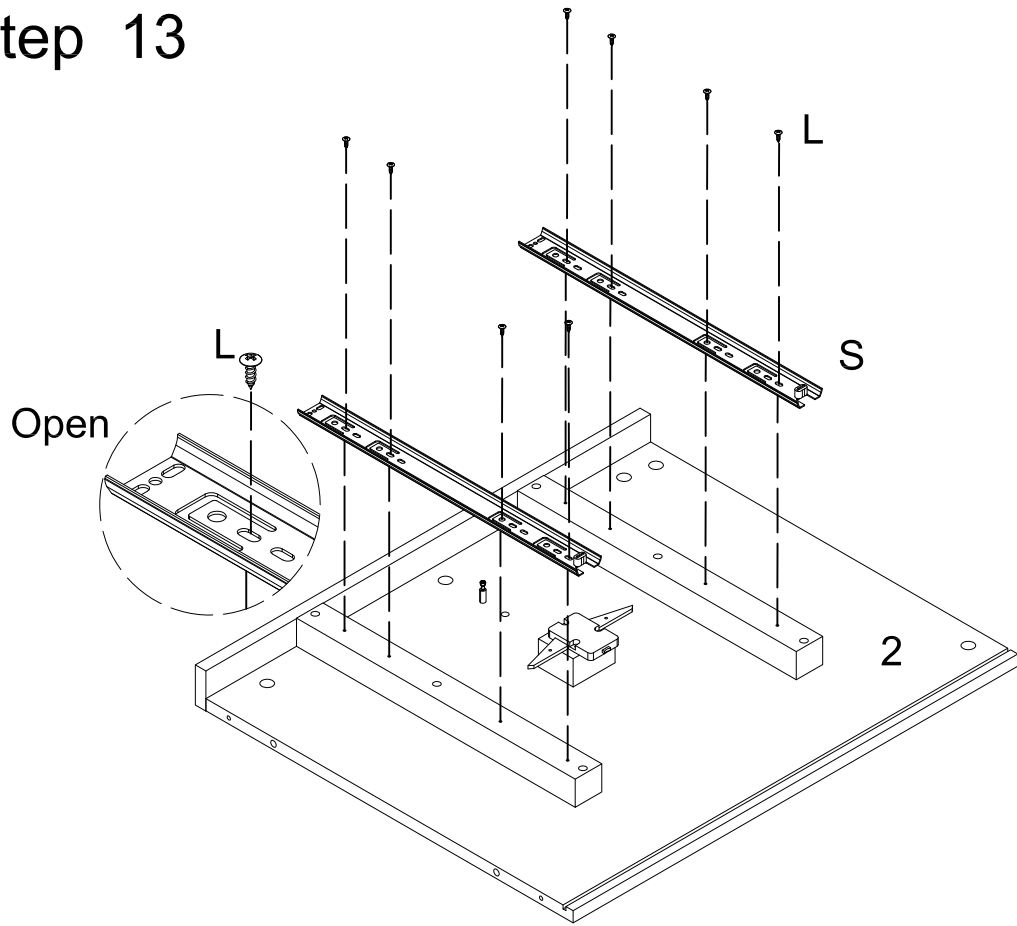


Lower Drawer

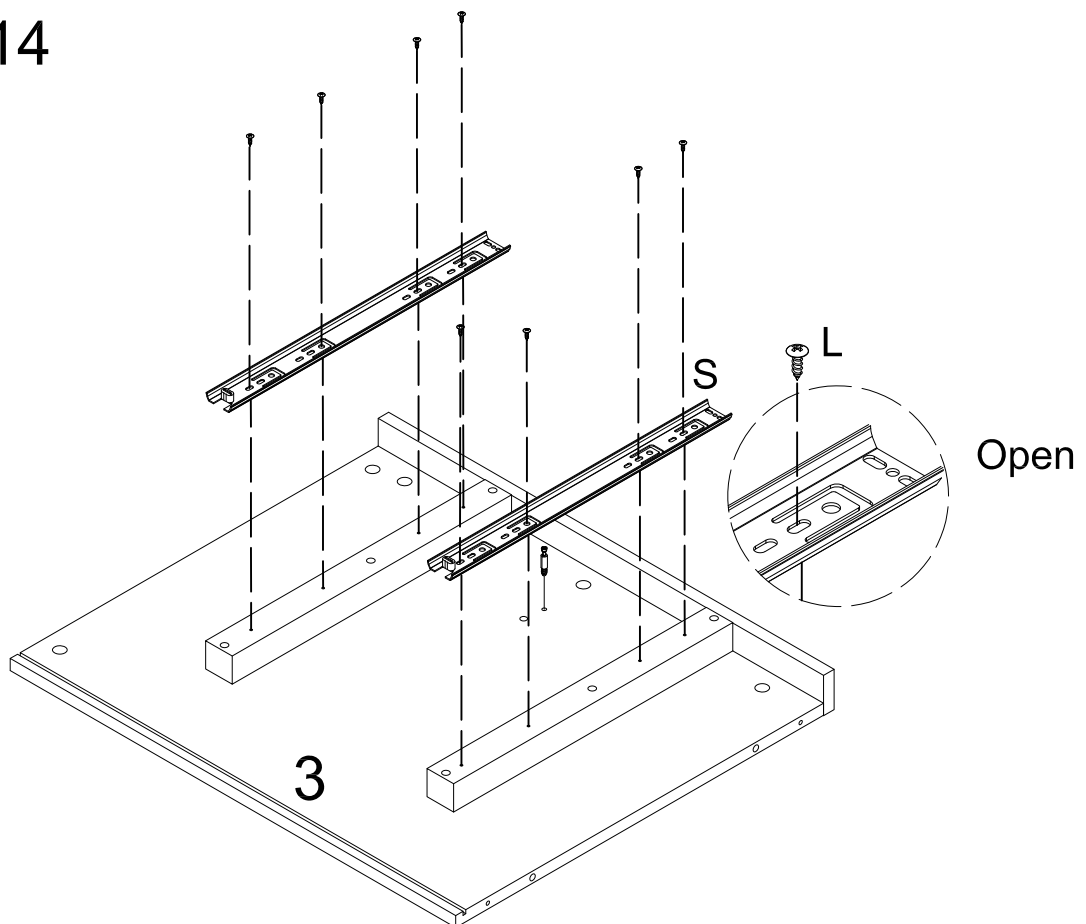
Step 12



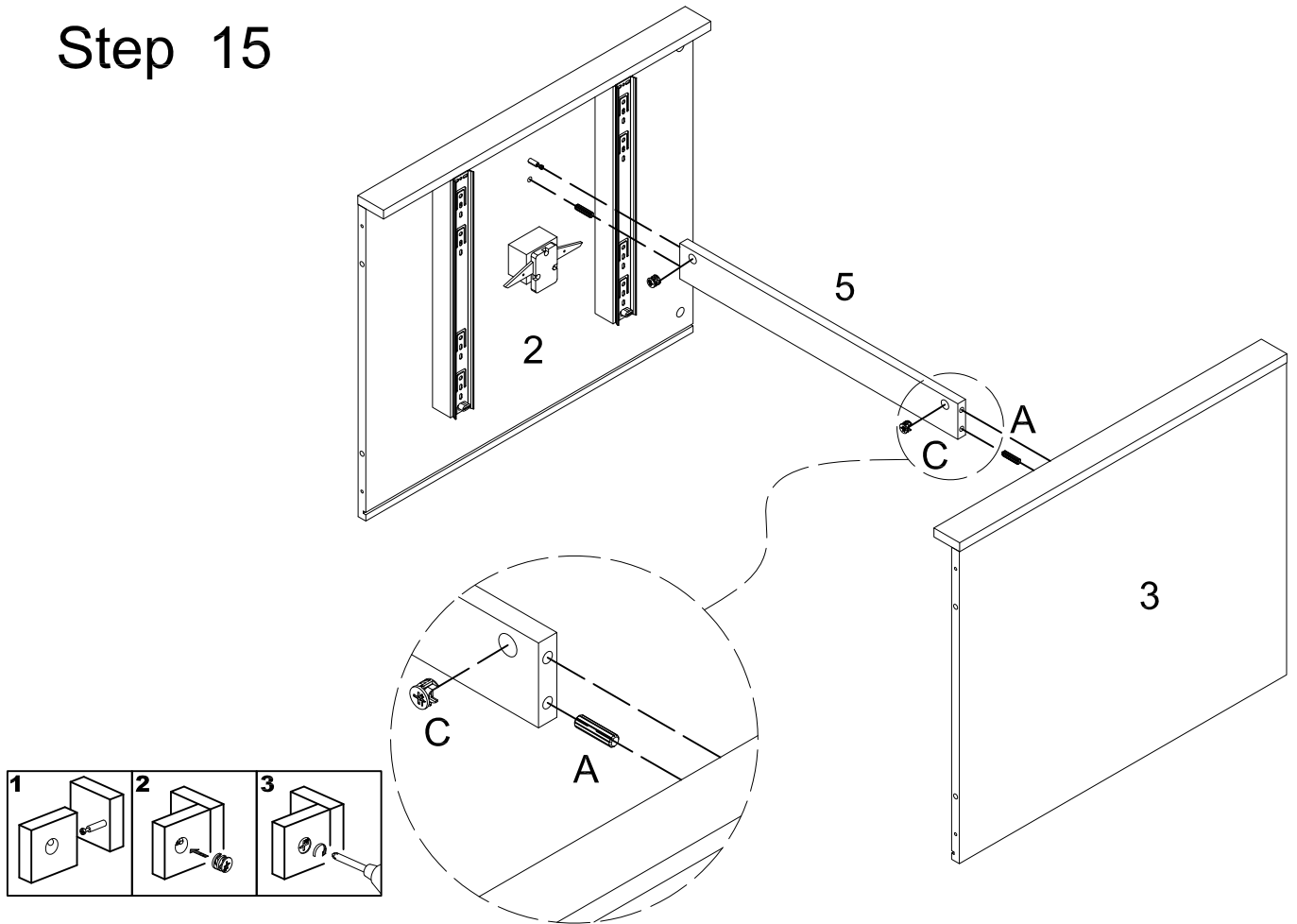
Step 13



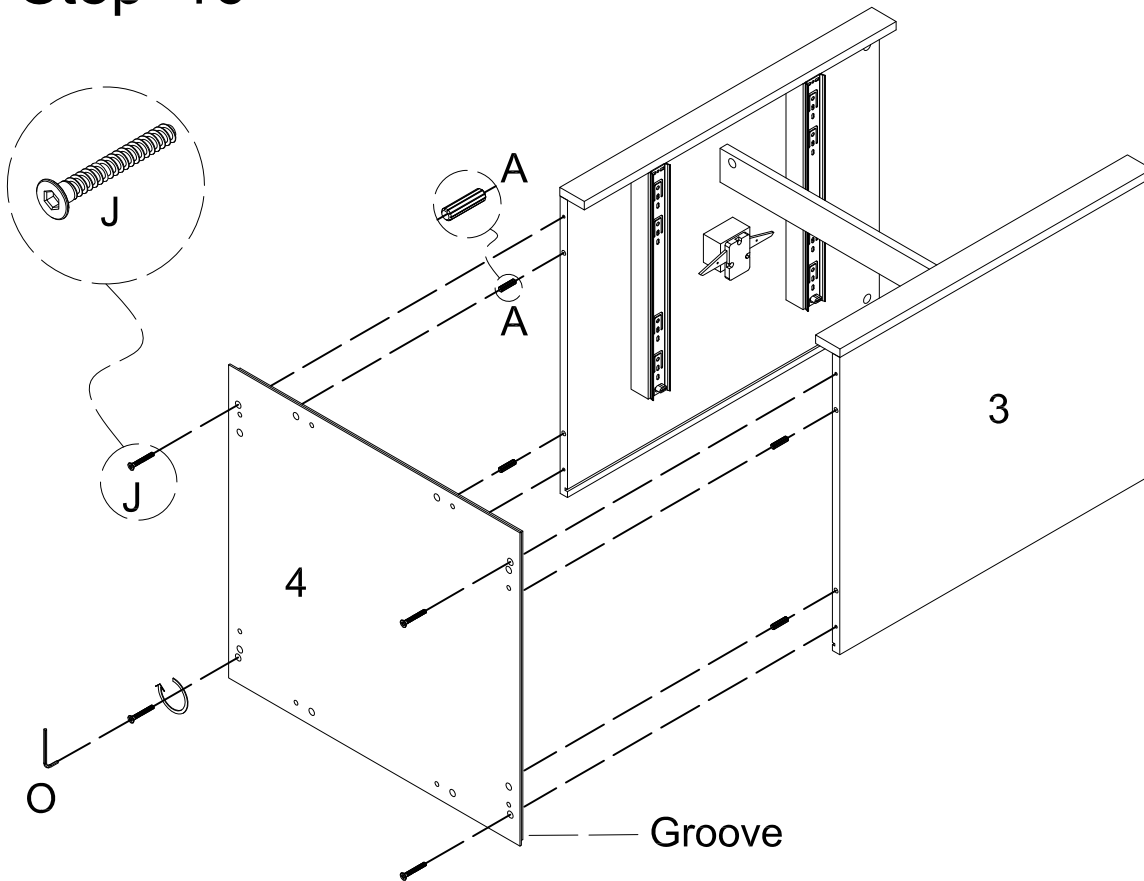
Step 14



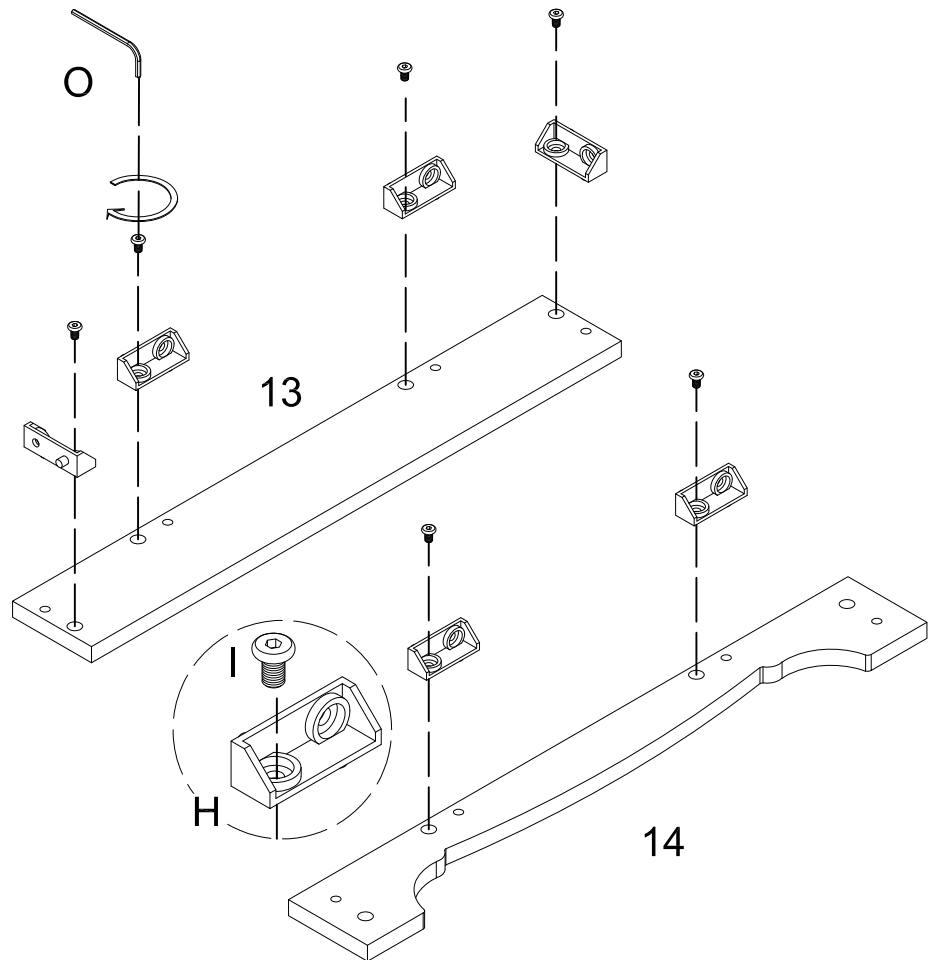
Step 15



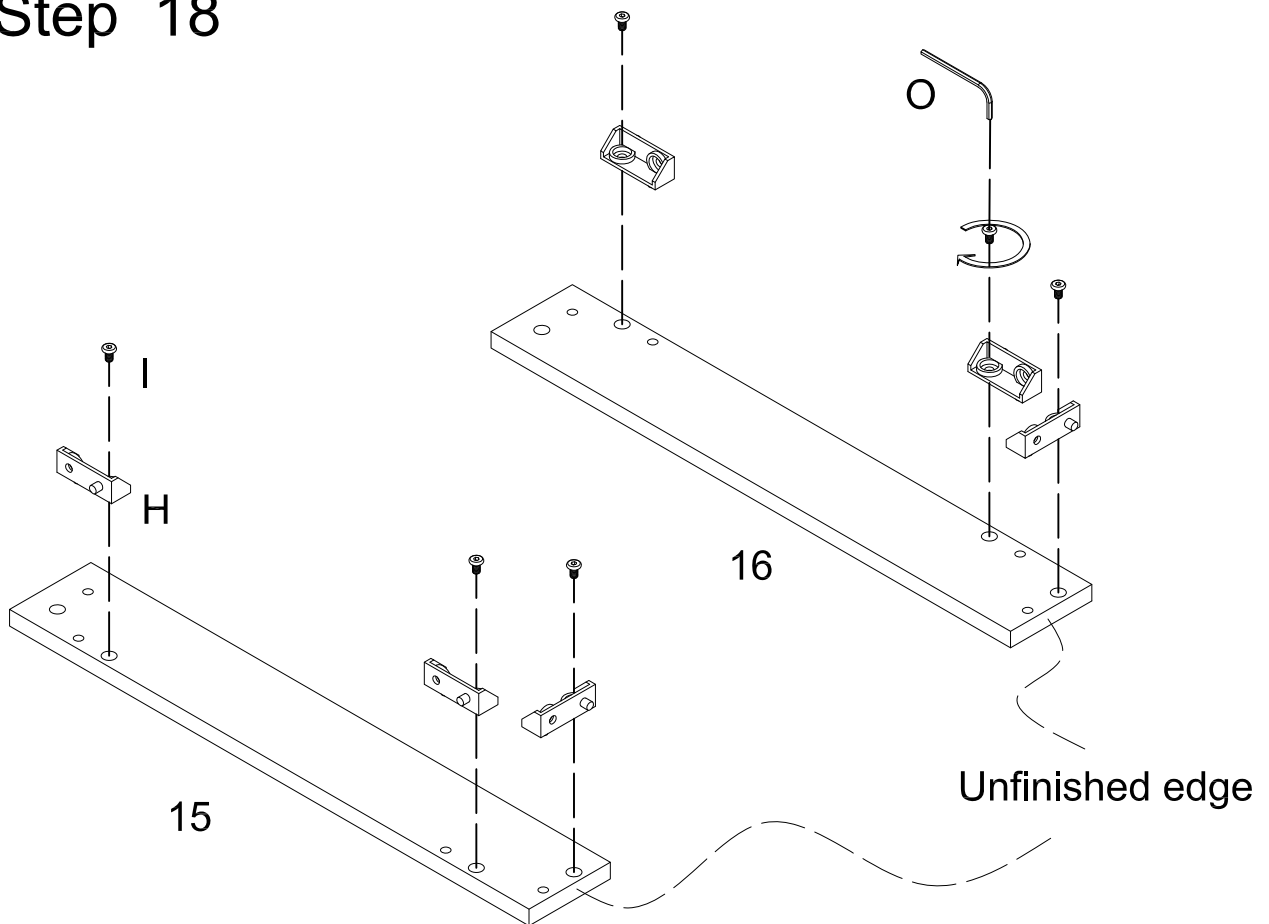
Step 16



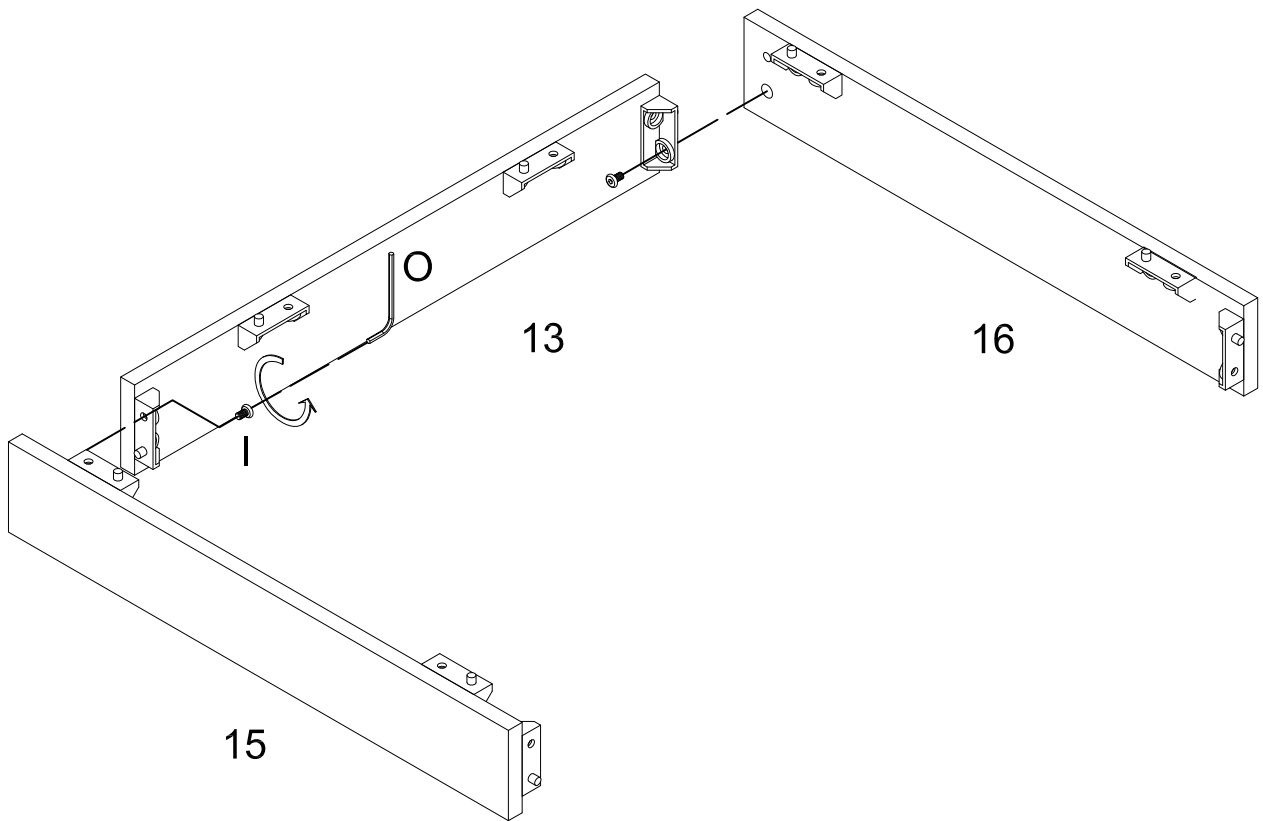
Step 17



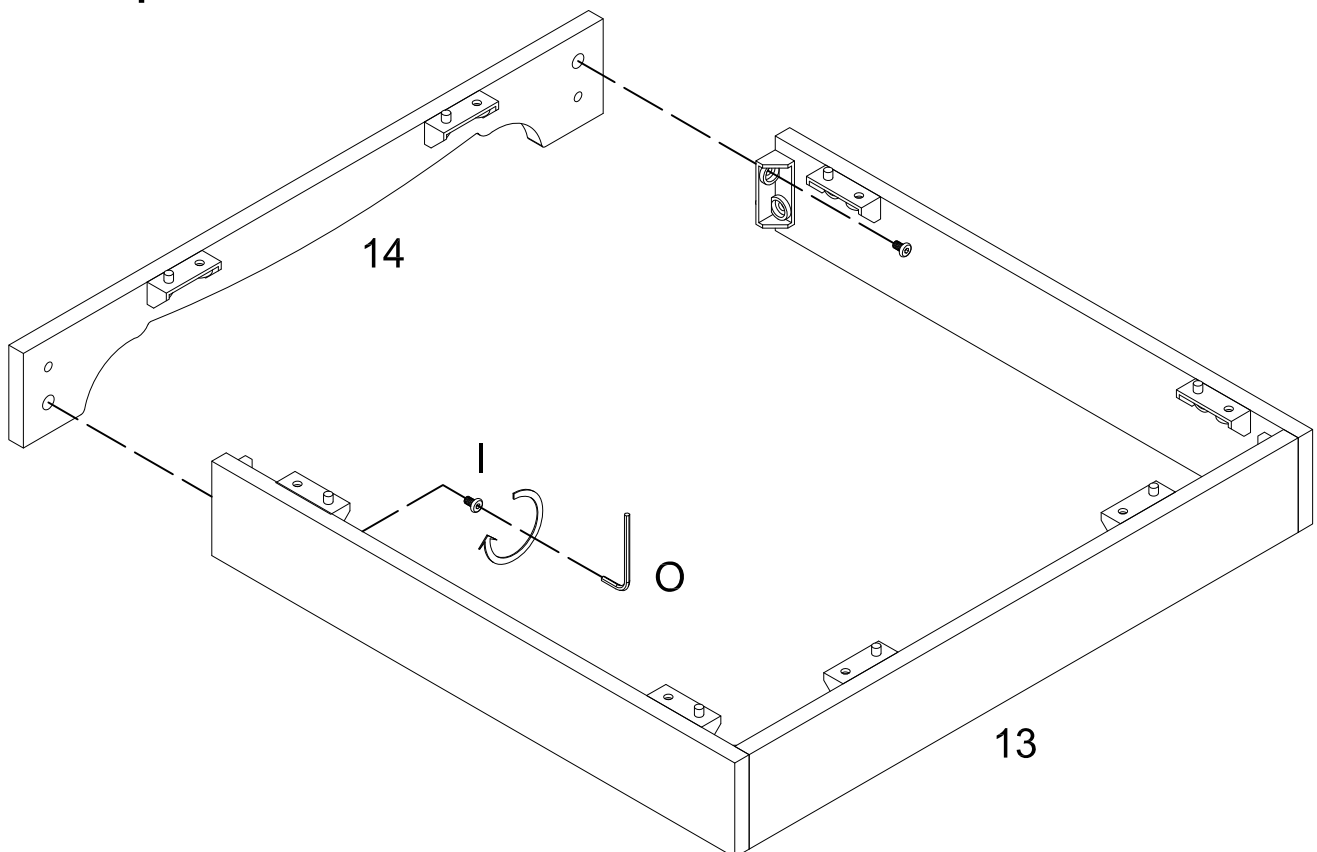
Step 18



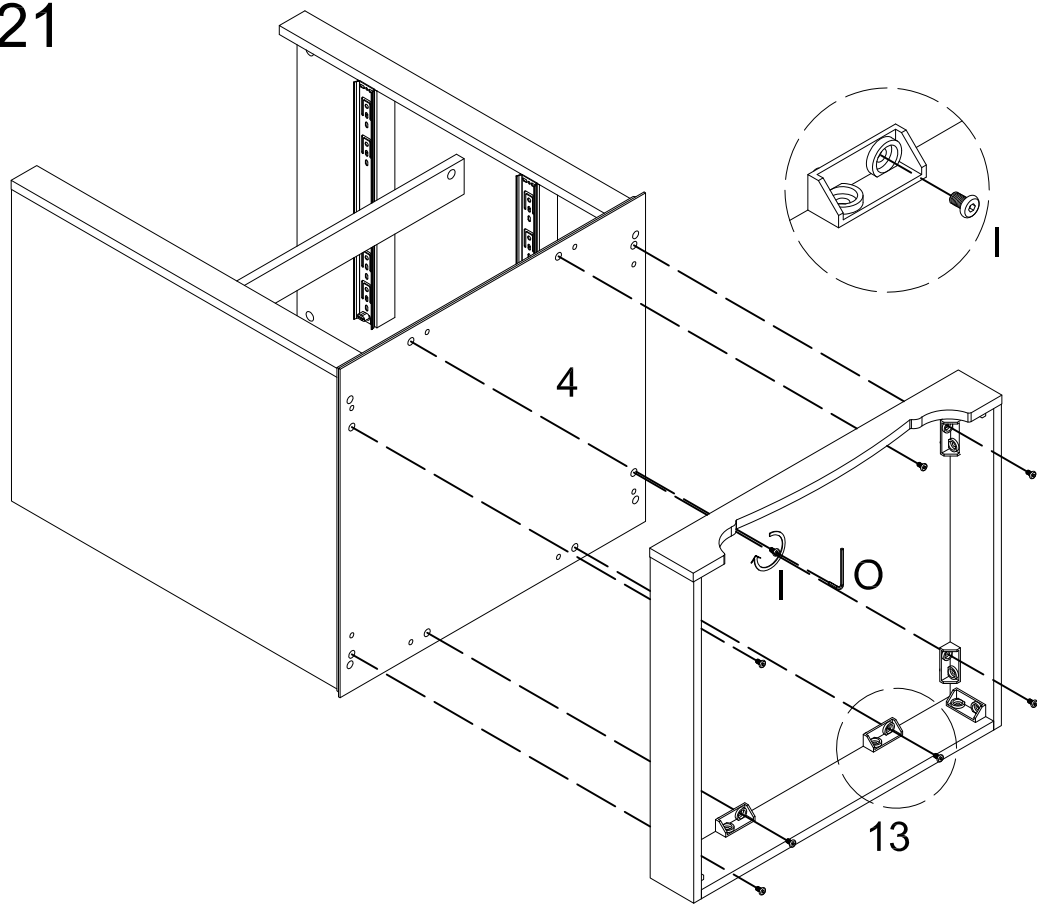
Step 19



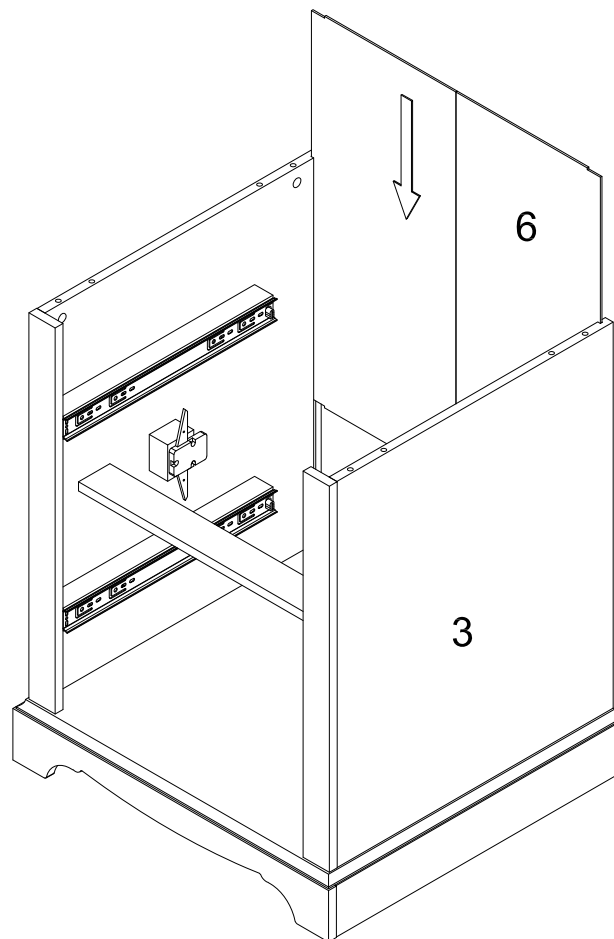
Step 20



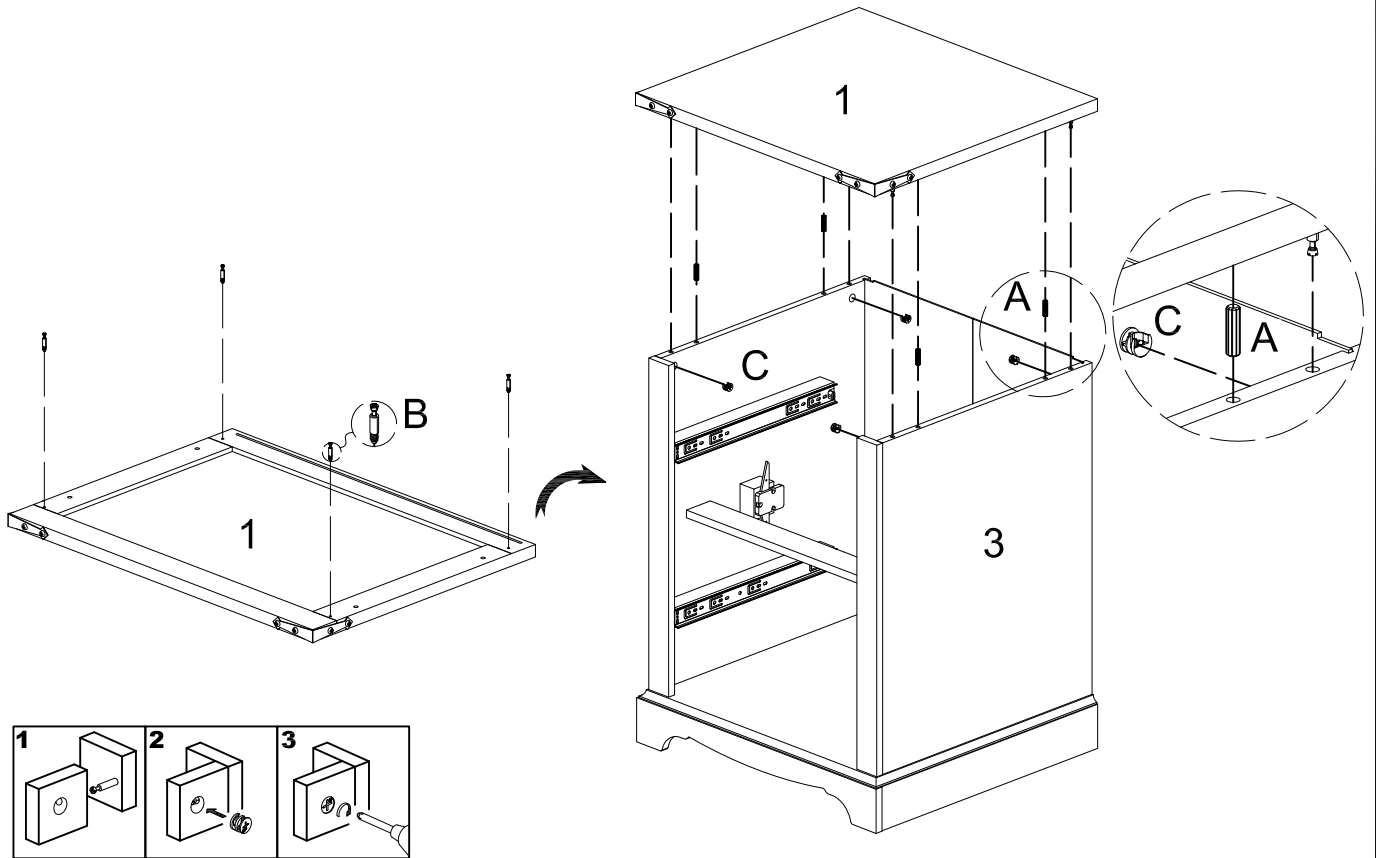
Step 21



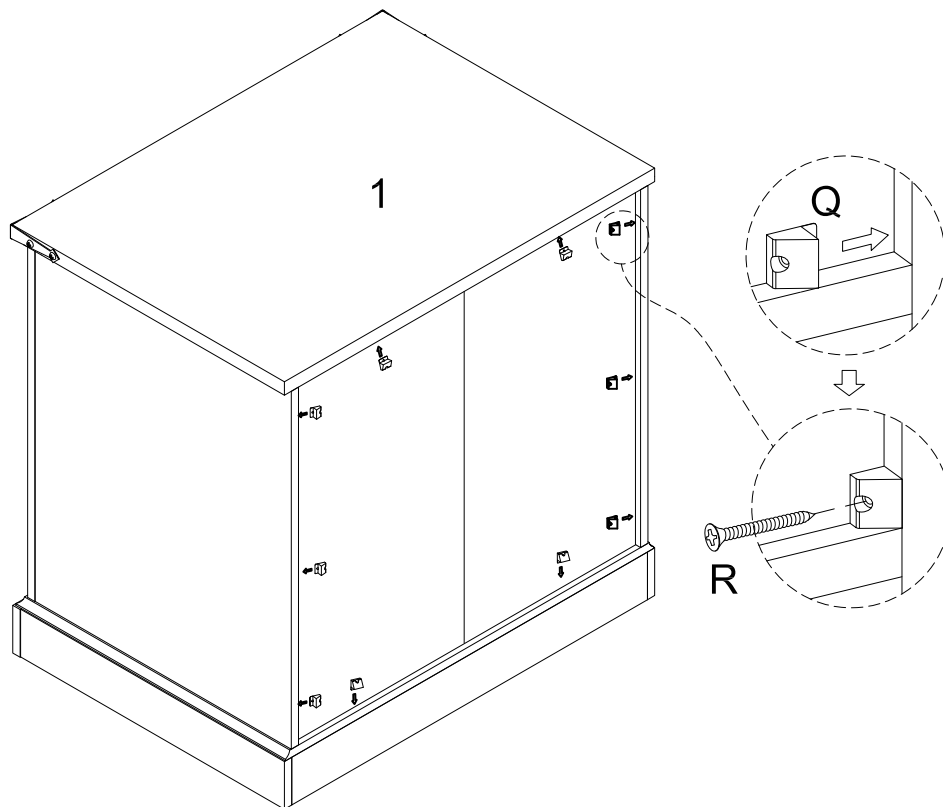
Step 22



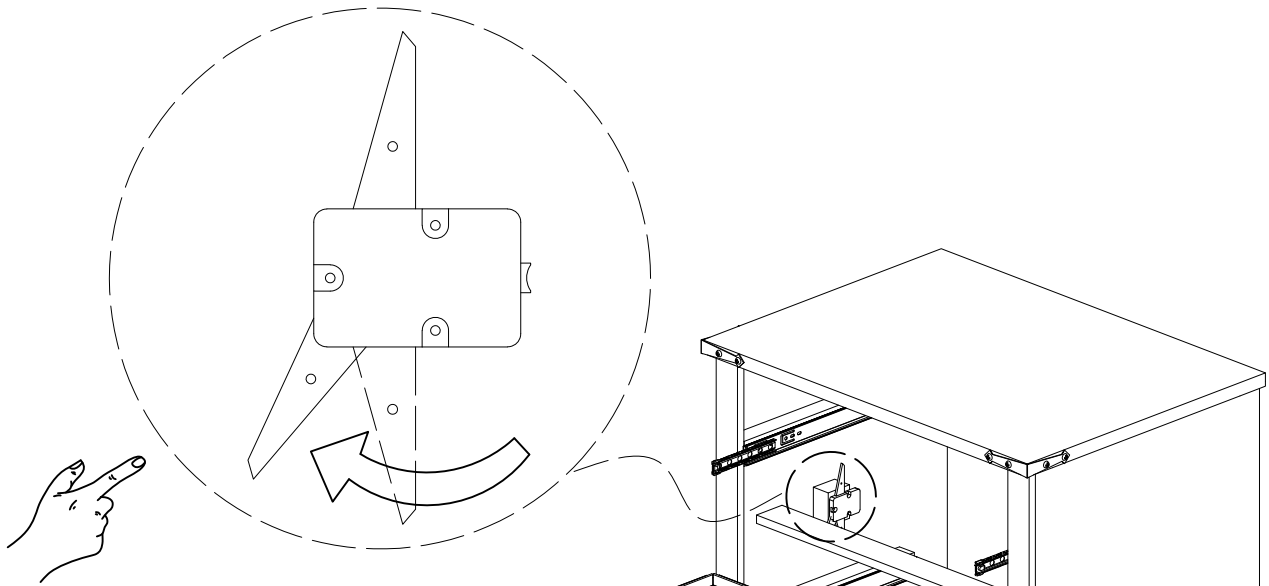
Step 23



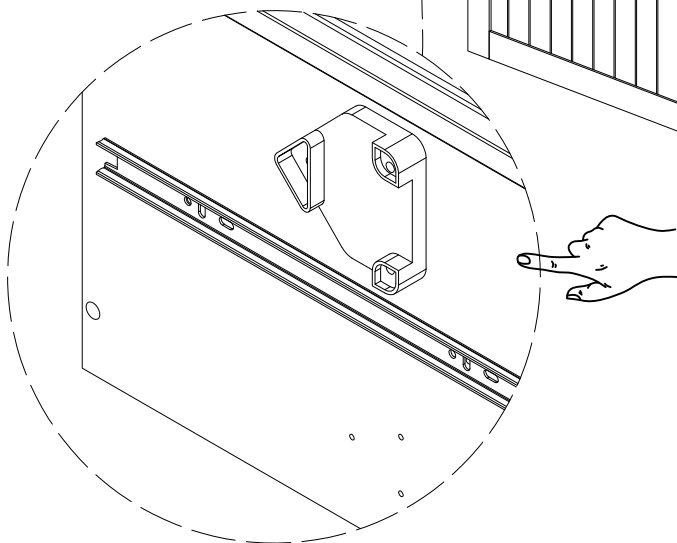
Step 24



Step 25

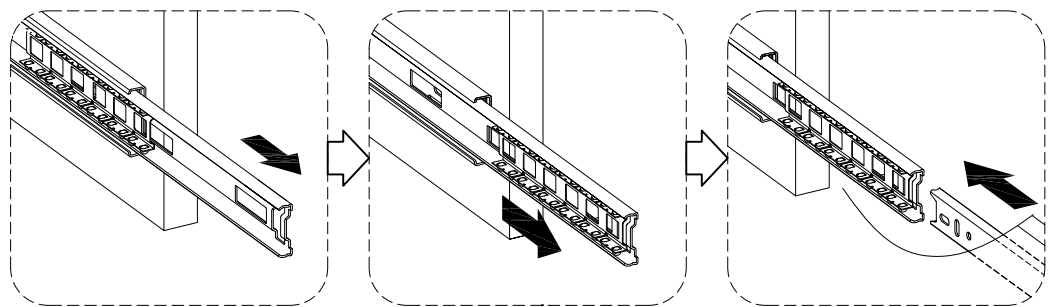


Special attention

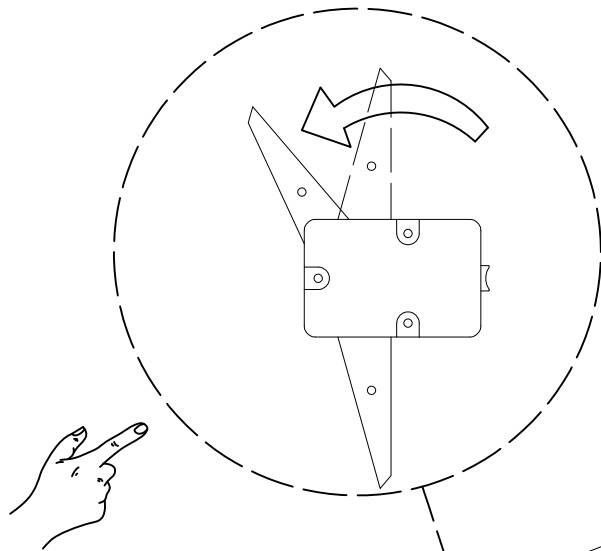


7

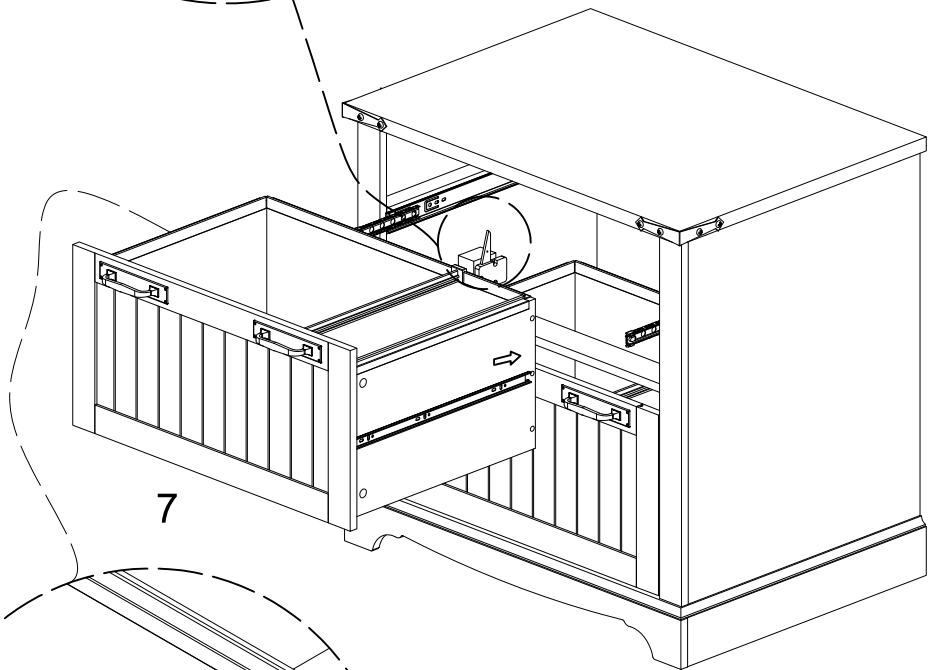
Lower drawer



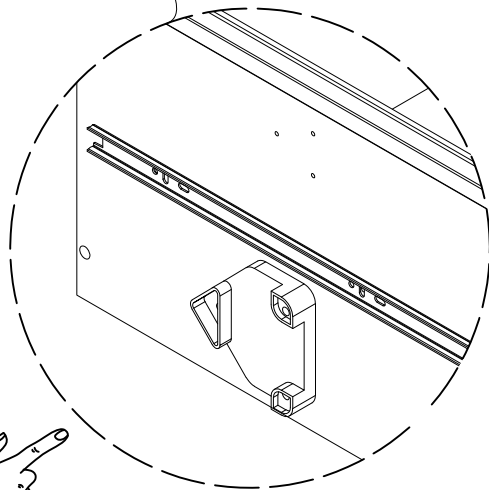
Step 26



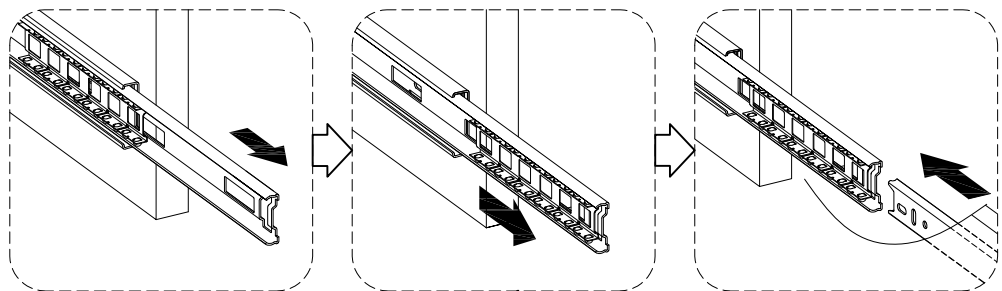
Special attention



7

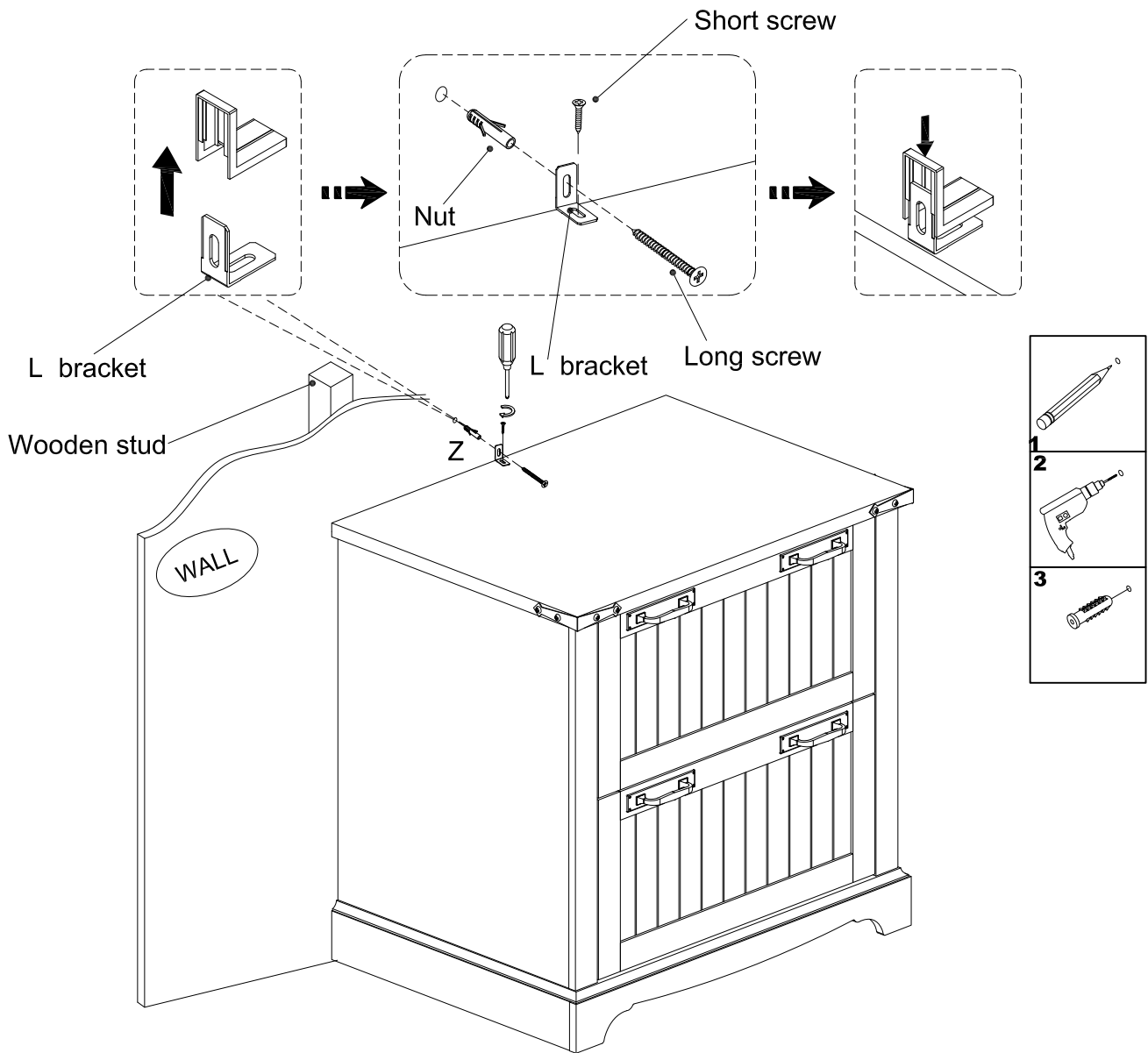


Upper drawer



Step 27

Serious or fatal injuries can occur from furniture tipping over. To prevent the furniture from tipping over we recommend that it is permanently fixed to the wall. Wall anchor and hardware are included with this product. Please make sure hardware is suitable for your walls before installing, as different wall materials may require different types of anchors.



Final Assembly