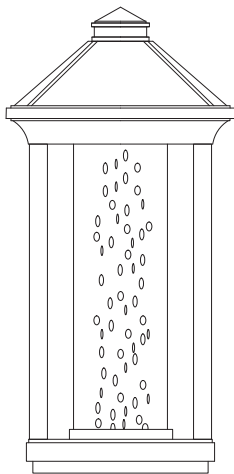


edishinē

Outdoor Wall Light

SKU: HOWL07K
[Instruction Manual]



Please pay attention to the warning signs
Read the instructions with caution before operating
and keep it properly

Warning:

Risk of fire. Min 75°C supply conductors. Consult a qualified electrician to ensure correct installation. Before installation, please turn off the main power of the circuit breaker to prevent possible electric shock.

Packing list

Part	Description	Quantity
1	Wall light	1 pcs
2	Wire connectors	3 pcs
3	Mounting screw	2 pcs
4	Instruction manual	1 pc

Product specifications

- Input Voltage: 120VAC 60HZ
- Max Load Power for Led : 10W
- Material: Aluminum , Iron , Acrylic
- Comply with: ETL

Installation Instructions

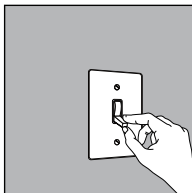


FIG.1 WALL SWITCH

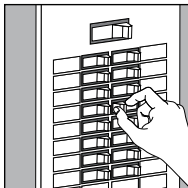


FIG.2 BREAKER PANEL

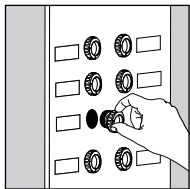


FIG.3 FUSE BOX

NOTE: PLEASE INSTALL THIS WALL LANTERN 1.2 METERS 3.94 FEET ABOVE THE GROUND

STEP 01: POWER OFF

FIG.1. Turn the wall switch to the "OFF" position.

Depending on which type of fuse box in your home;

FIG.2. Either turn the main (Master) switch to the "OFF" position to cut off the power supply of the entire home, or turn off the individual switch that supplies power to the fixture installation location.

OR

FIG.3. Either turn the main (Master) switch to the "OFF" position to cut off the power supply of the entire home, or unscrew the fuse that supplies or turn off the individual switch that supplies power to the fixture installation location.

STEP 02: CLEAN THE LIGHT

Clean the glass and sensor surface of the wall light with a soft and damp cloth. Dust will affect the sensitivity of sensor and brightness of the light.

Carefully unpack your new fixture and lay out all the parts on a clear area. Take care not to lose any small parts necessary for installation.

STEP 03: CONNECT THE WIRE

Fix the cross mounting plate(B) on the wall Outlet box(Not included)with two mounting screws(D).

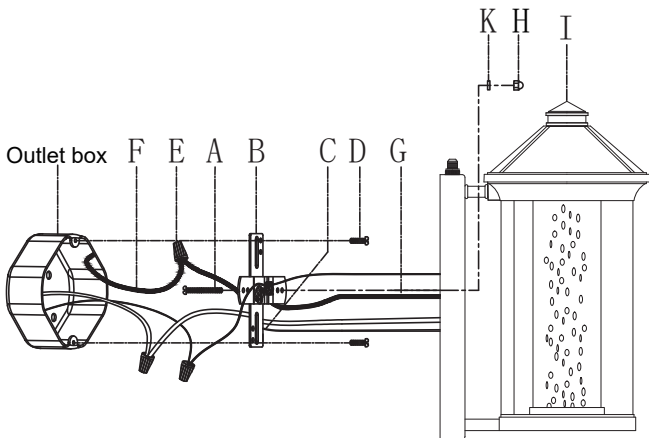
Connect black live wire, white neutral wire and ground wire with wire connectors,be sure that the wires are connected together sturdily.

STEP 04: FIX THE LIGHT

Install Light fixture, locked with two screws(A) and nuts(H) and Do not forget to install the waterproof gaskets(K).

STEP 05: POWER ON

- (1) Turn on the main (Master) switch to get the power back, the light will turn on automatically.
- (2) The Light can automatically turn off at dawn and on at dusk.
- (3) The lamp structure is described as following picture:



One Year Limited Warranty

Supported by our professional R&D team and QC team, we provide One Year Warranty for materials and workmanship from the purchase date. Please note that the warranty does not cover damage caused by personal misuse or improper installation.

Please attach your Order ID and Name so that our dedicated customer service team can help you better.

