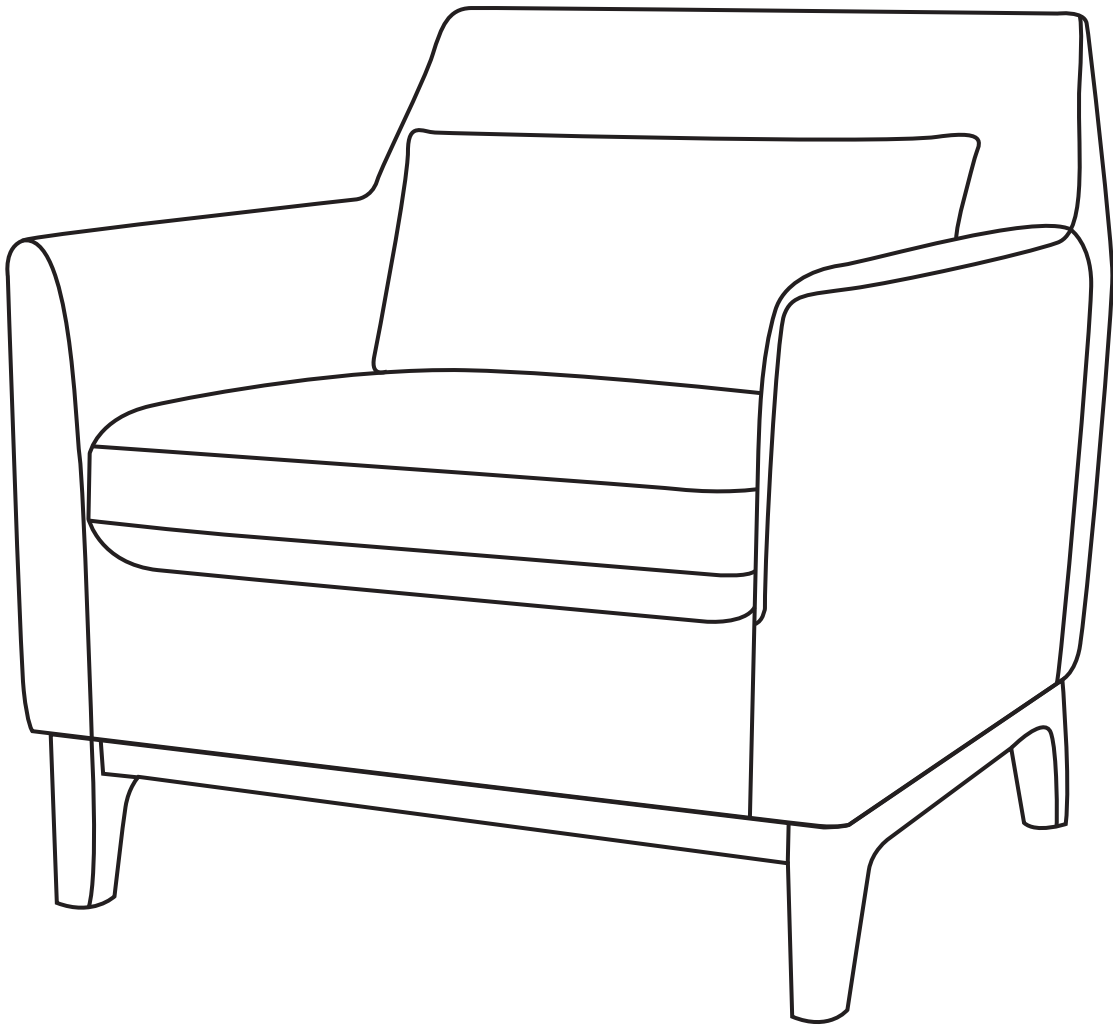
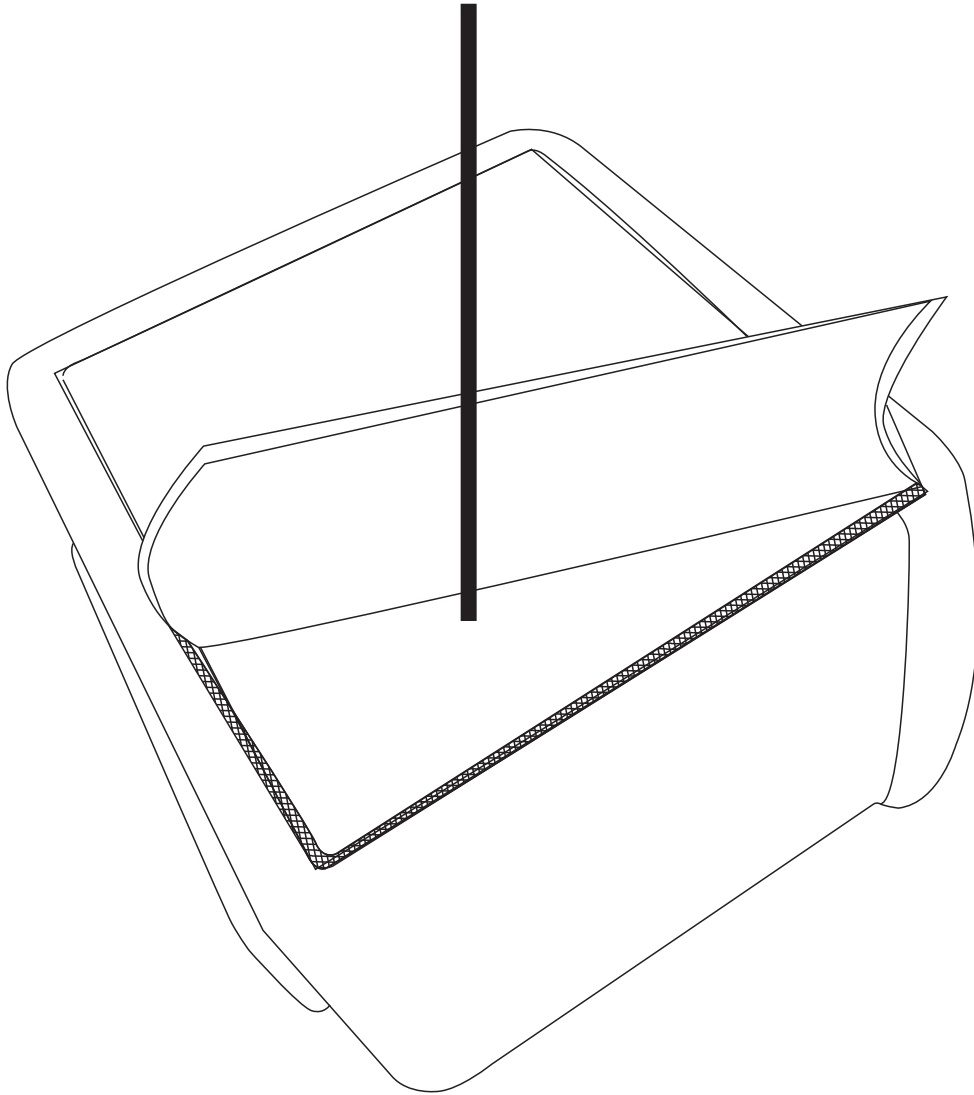


# INSTRUCTIONS



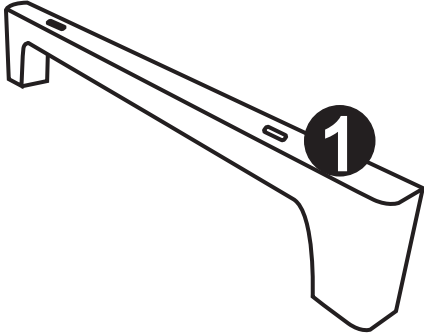
**Notes:** Chair might be a little hard due to being compressed in package and long-time transport, but it will soften over time in use.

# Legs and parts inside

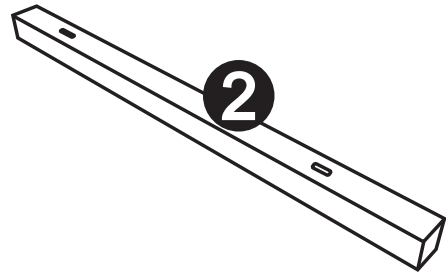


**Notes:** Carefully unpack parts/hardware from storage of seat body and place on a clean flat surface. Avoid using sharp objects such as a knife to open packing as you may accidentally damage the upholstery.

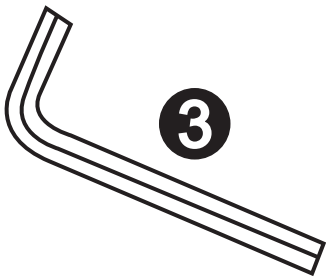
# Part List



Leg\*2



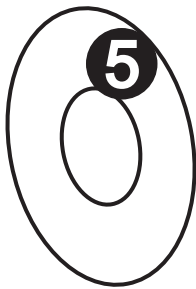
Leg\*2



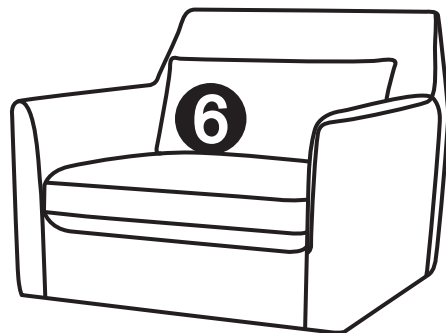
Allen key\*1



Bolt\*8

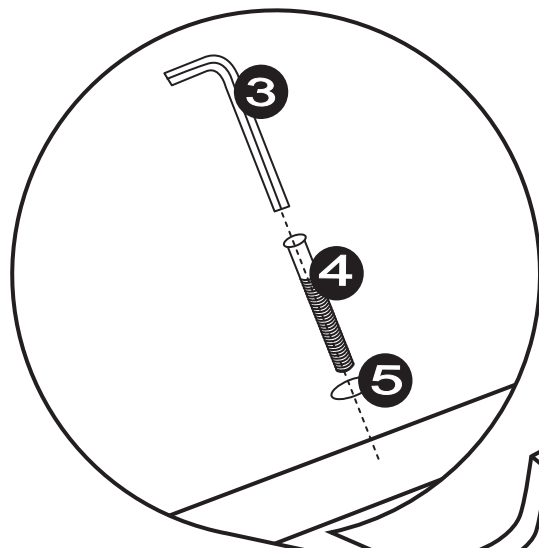


Washer\*8

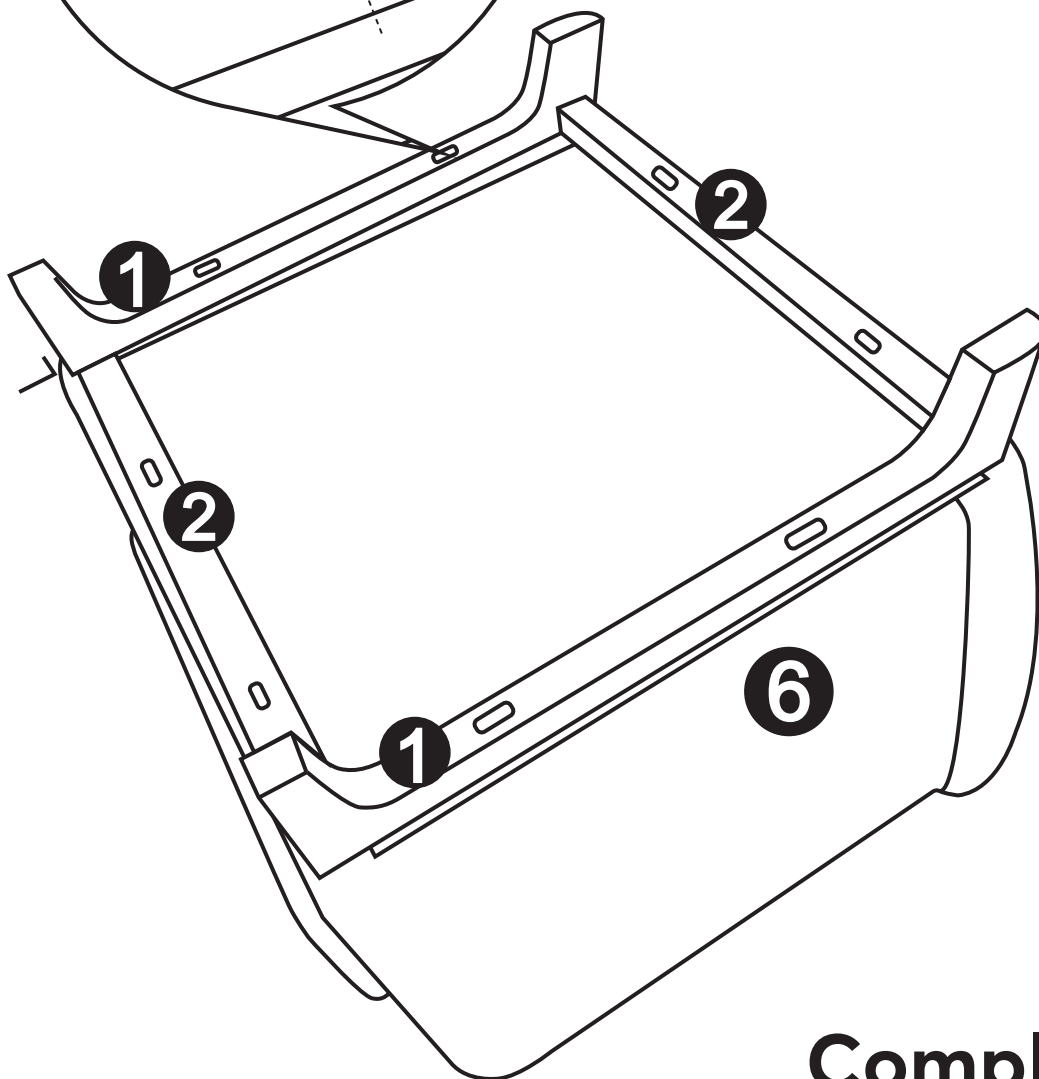


Seat\*1

## Assembly Steps



Please ensure all the everything are in correct position before fully tighten the screws.



## Completed

**Notes:** Do not fully tighten bolts/screws until all pieces are loosely assembled.

# CARE & MAINTENANCE

---



Do not put hot items directly on furniture surface.



Do not clean furniture with harsh cleansers or polish.



Dust and pick up spills using a clean, non-colored, lint-free cloth.



Stains may be removed with mild soap solution and a damp cloth.



Do not place furniture under direct sunlight.



Do not place furniture near heating or cooling vents.



Do not write on furniture without a passed barrier to protect the surface.



Do not place furniture outside, for indoor use only.



PROHIBIT jumping on it.

---