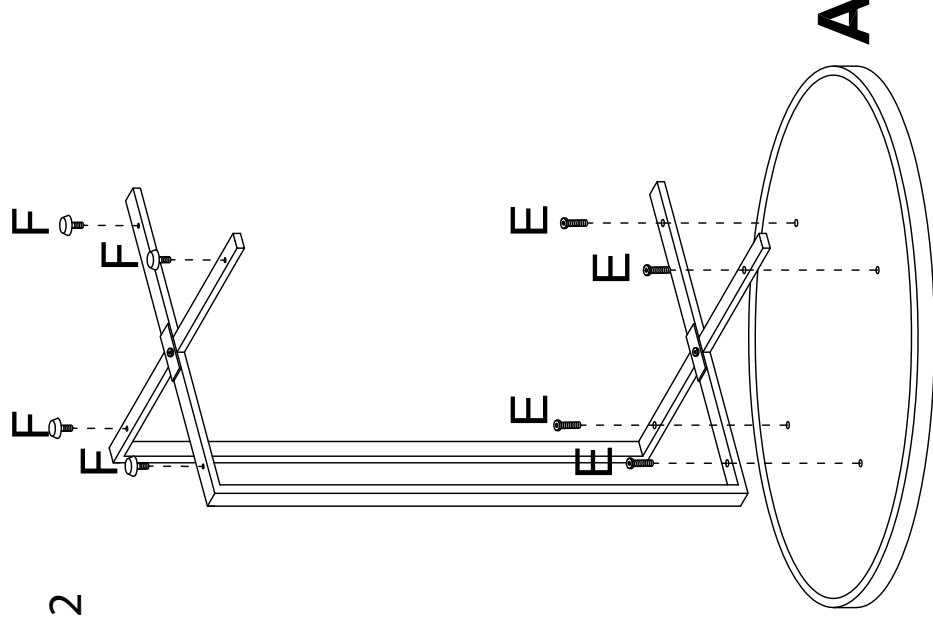
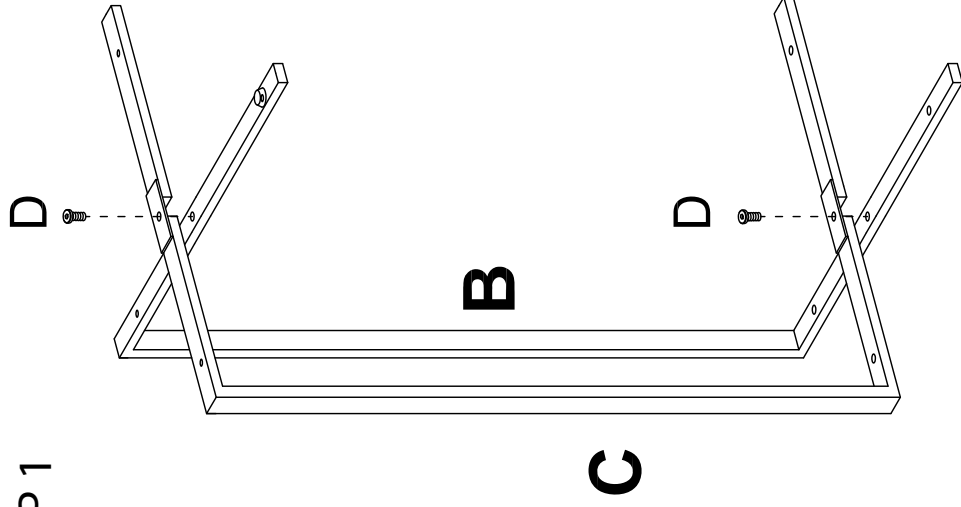


INSTRUCTION D'ASSEMBLAGE | ASSEMBLY INSTRUCTION

ÉTAPE 1 | STEP 1

ÉTAPE 2 | STEP 2



Ax1PC



Bx1PC

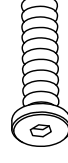


Cx1PC



M6x12mm

Dx2PCS

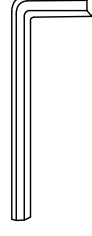


M6x25mm

Ex4PCS



Fx4PCS



Gx1PC