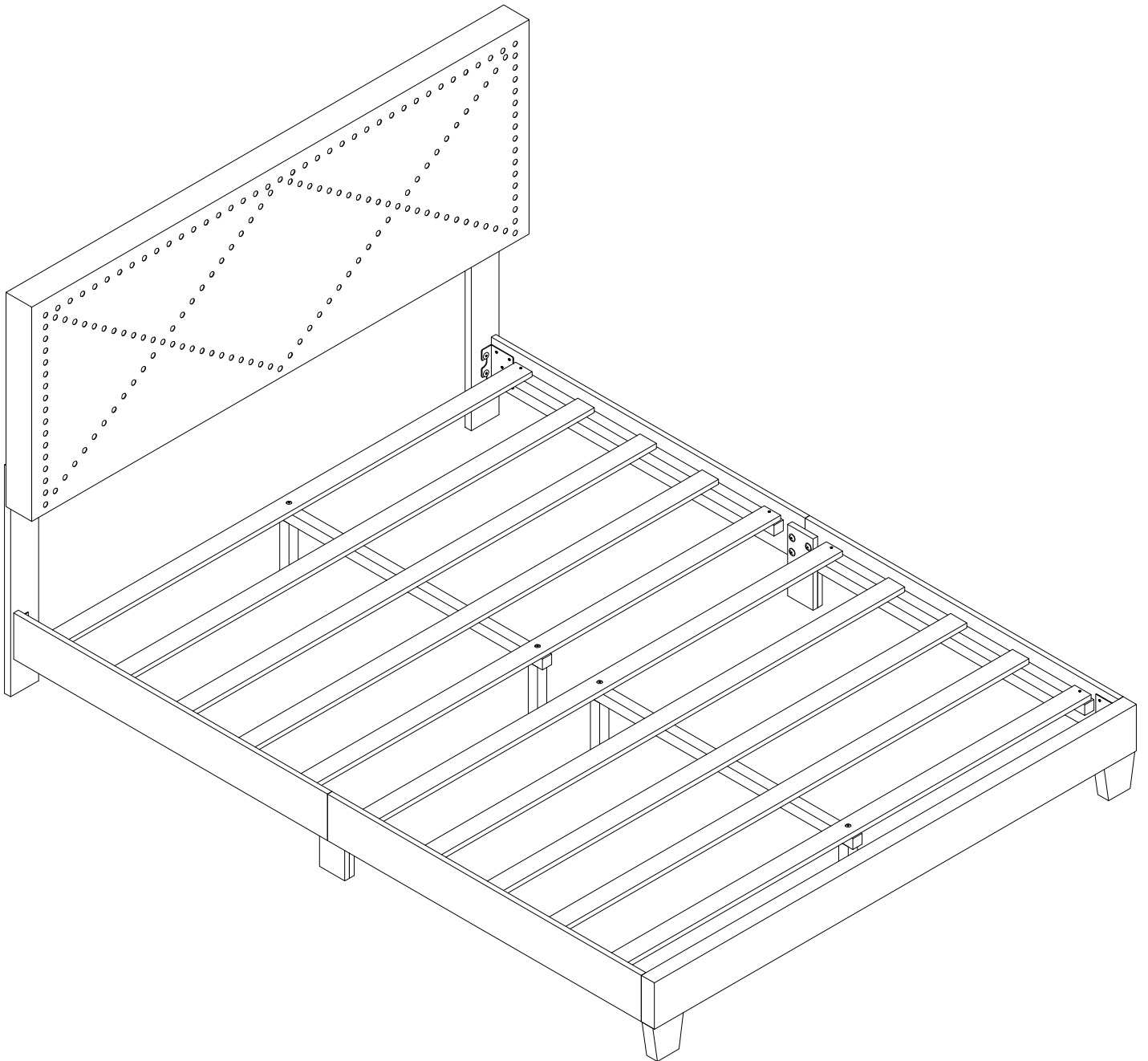
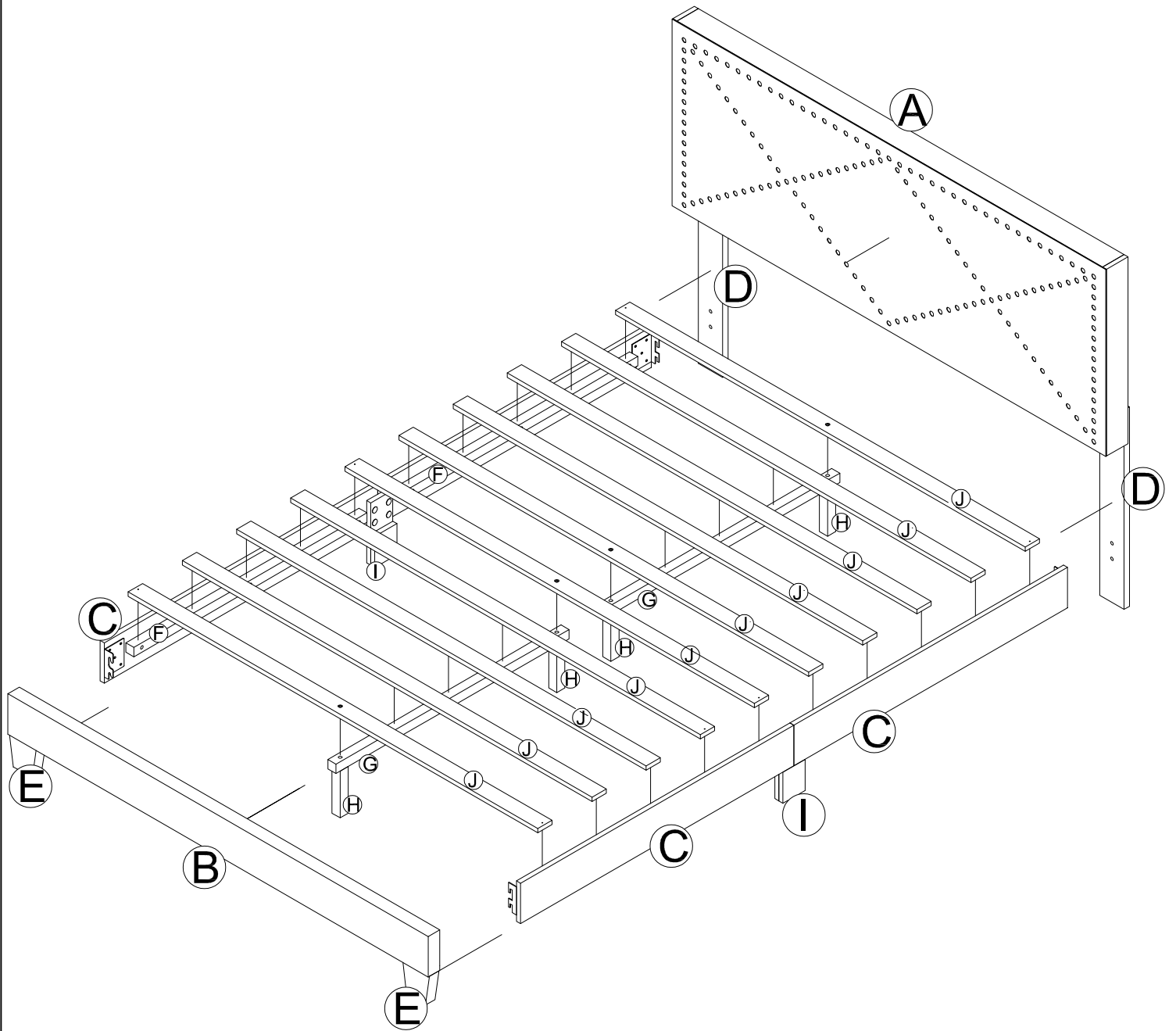


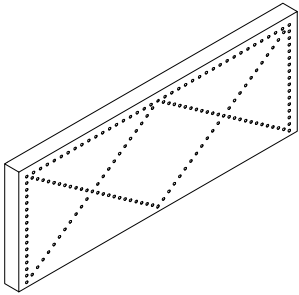
# ASSEMBLY INSTRUCTION





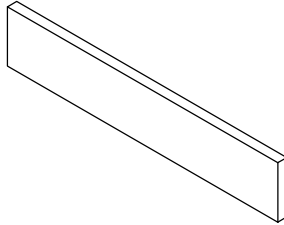
# Part List

**A**



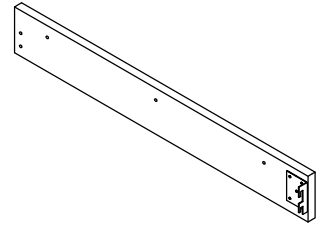
HEADBOARD - 1pcs

**B**



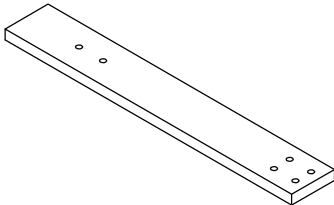
FOOTBOARD - 1pcs

**C**



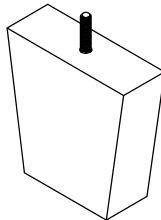
SIDE PANEL - 4pcs

**D**



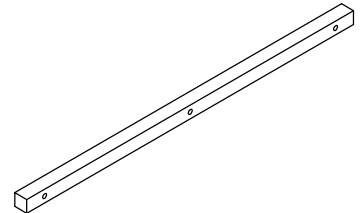
HEADBOARD LEG - 2pcs

**E**



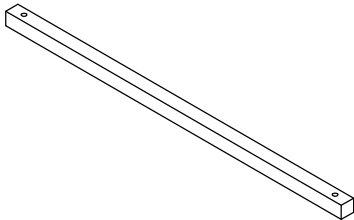
WOODEN LEG - 2pcs

**F**



SIDE WOOD BASE - 4pcs

**G**



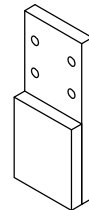
CENTER WOOD BASE - 2PCS

**H**



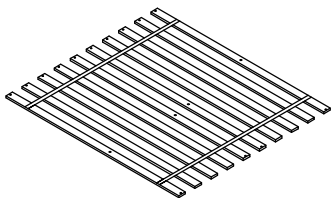
WOODEN SUPPORT LEG - 4pcs

**I**



SIDE PANEL SUPPORT - 2pcs

**J**



SLAT - 1SET/10pcs

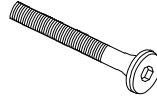
# Hardware List

1



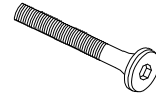
JCBB M8 x 16mm (8 pcs)

2



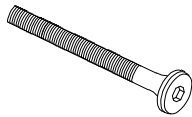
JCBC M6 x 35mm (8 pcs)

3



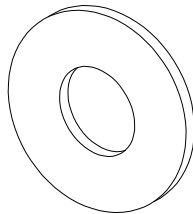
JCBC M6 x 45mm (20 pcs)

4



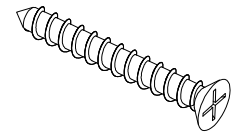
JCBC M6 x 60mm (4 pcs)

5



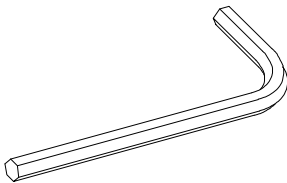
M6 Flat Washer (28 pcs)

6



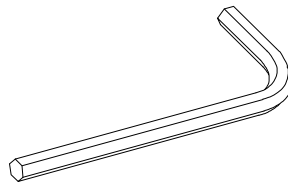
CSK SCREW M4 x 30mm (8pcs)

7



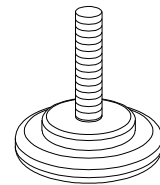
Allen Key M4 (1pcs)

8

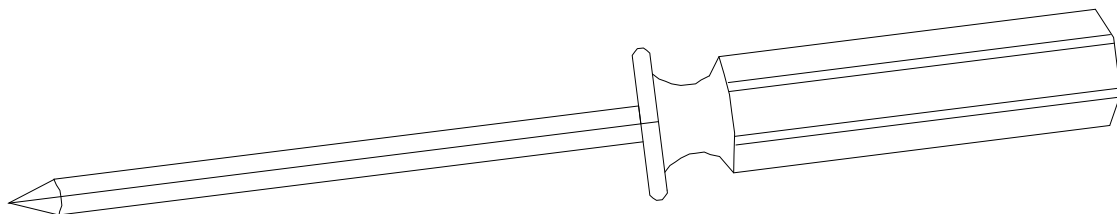


Allen Key M5 (1pcs)

9



BASE GLIDE (4pcs)

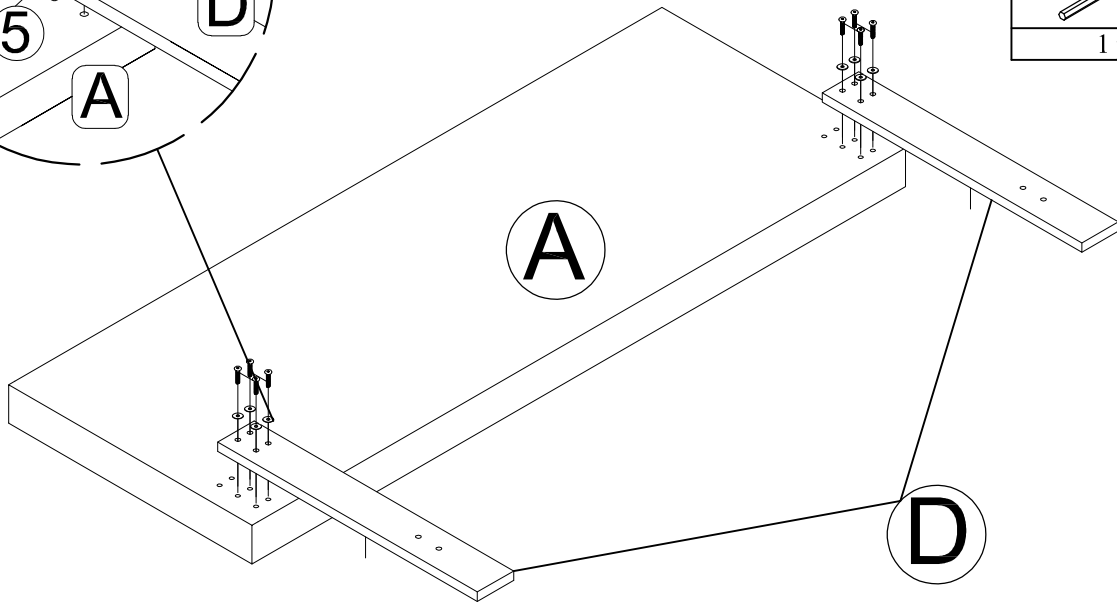
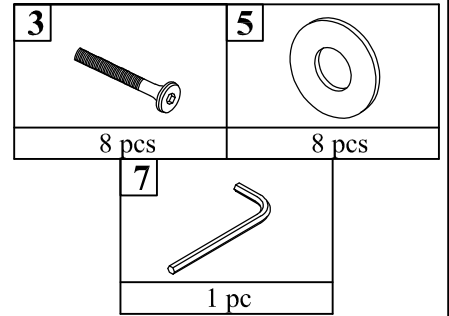
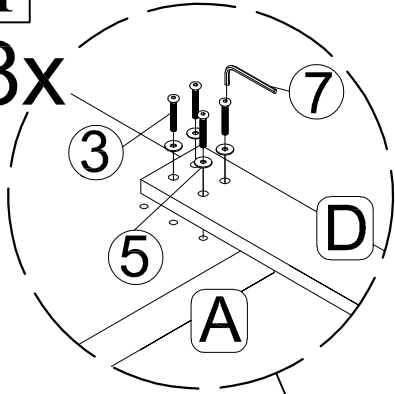


Assembly Tools  
Required (Not Included)

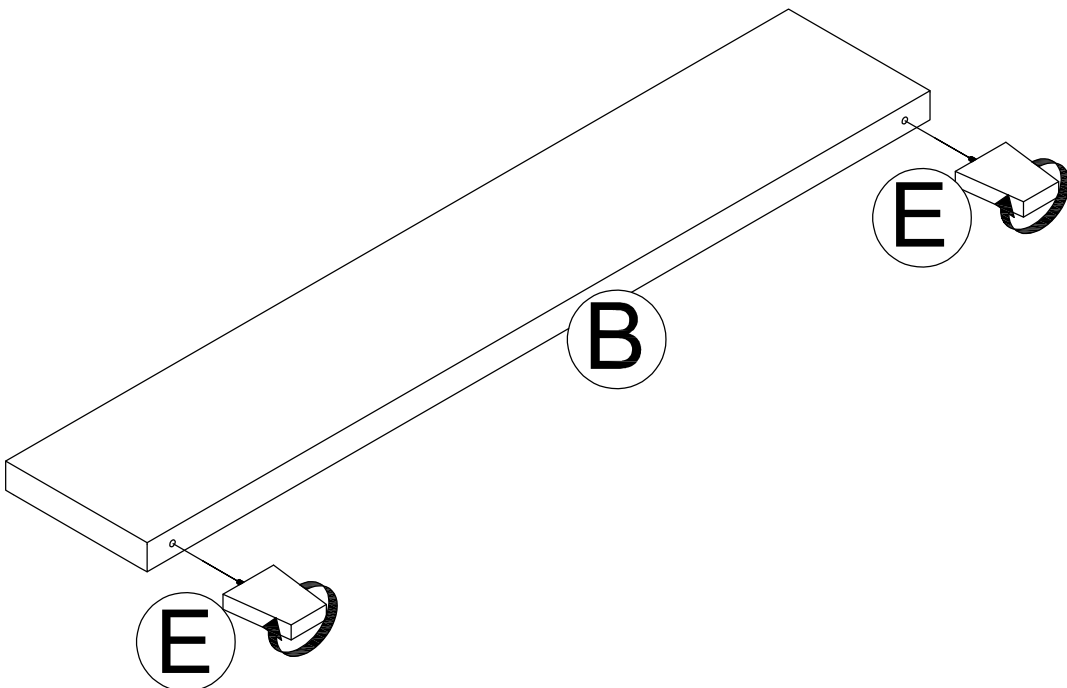
# Assembly Step

1

8x

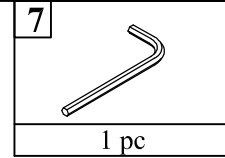
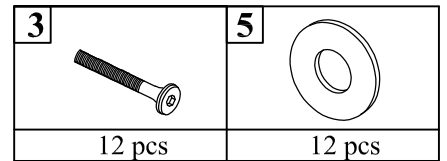
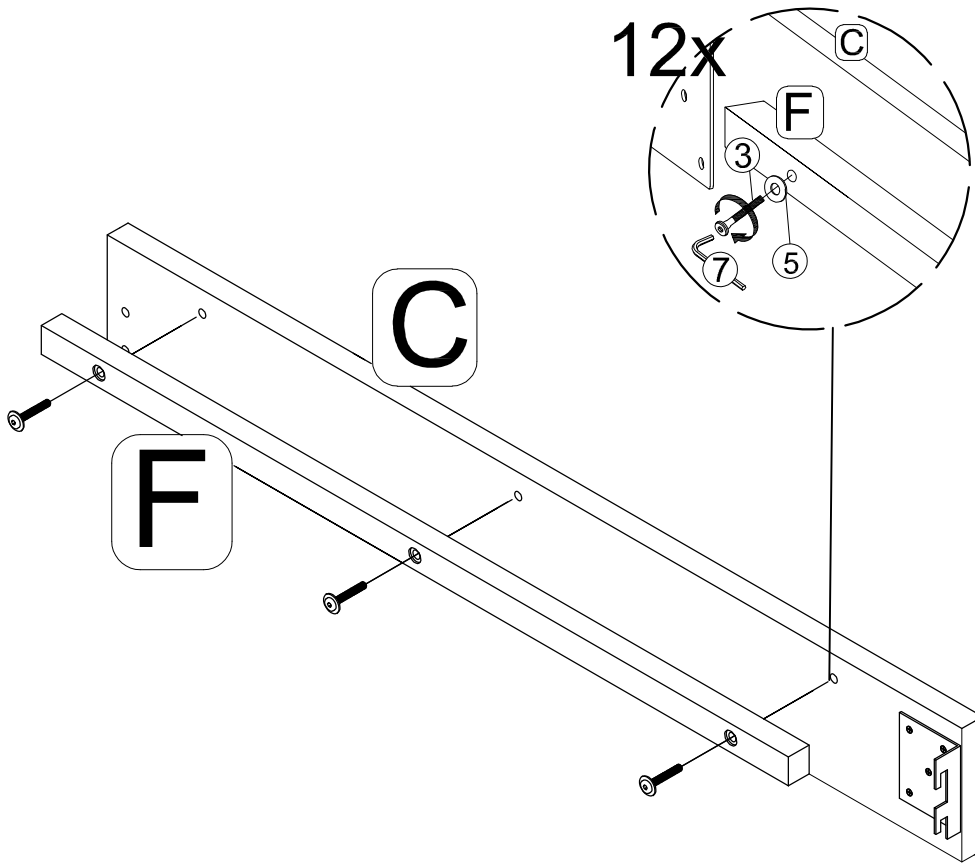


2

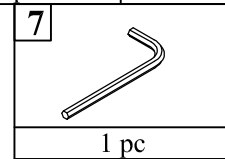
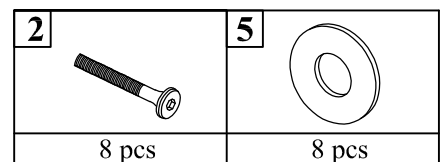
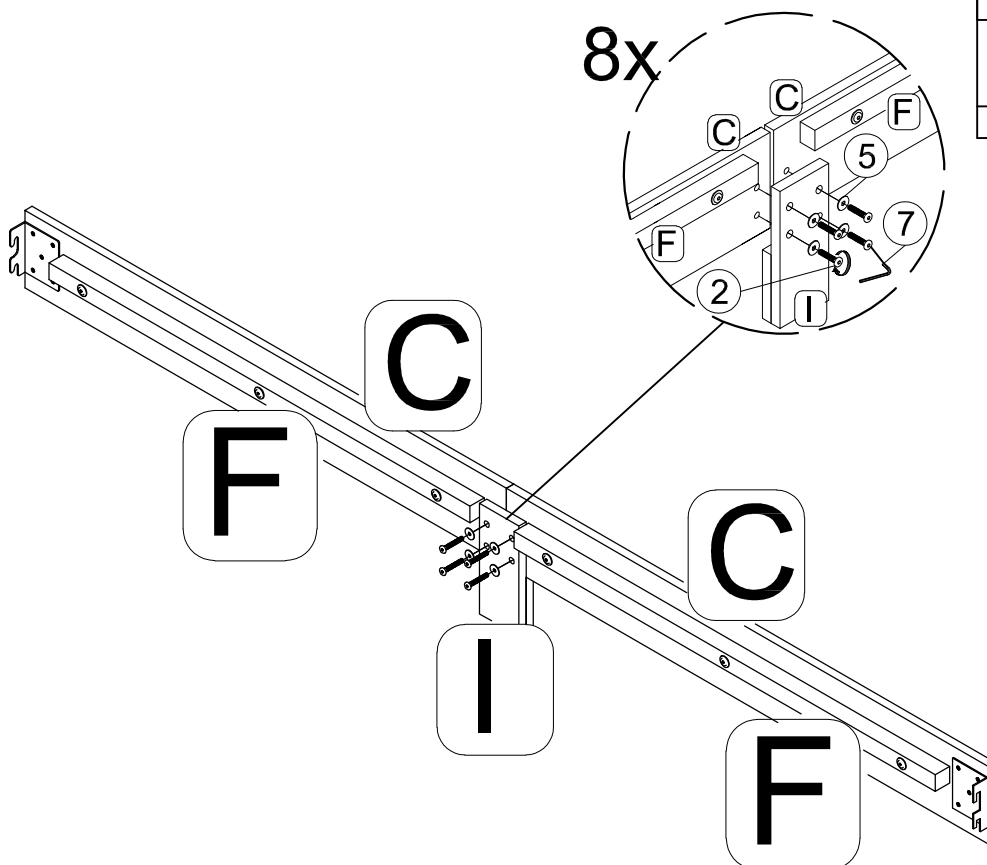


# Assembly Step

3

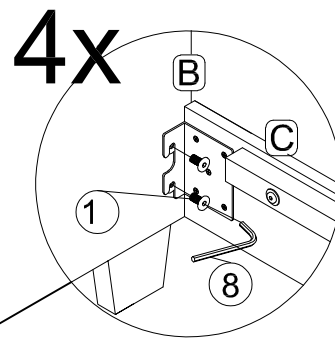
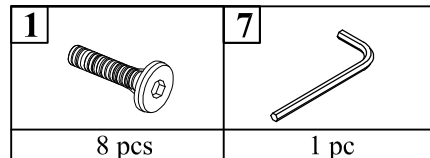
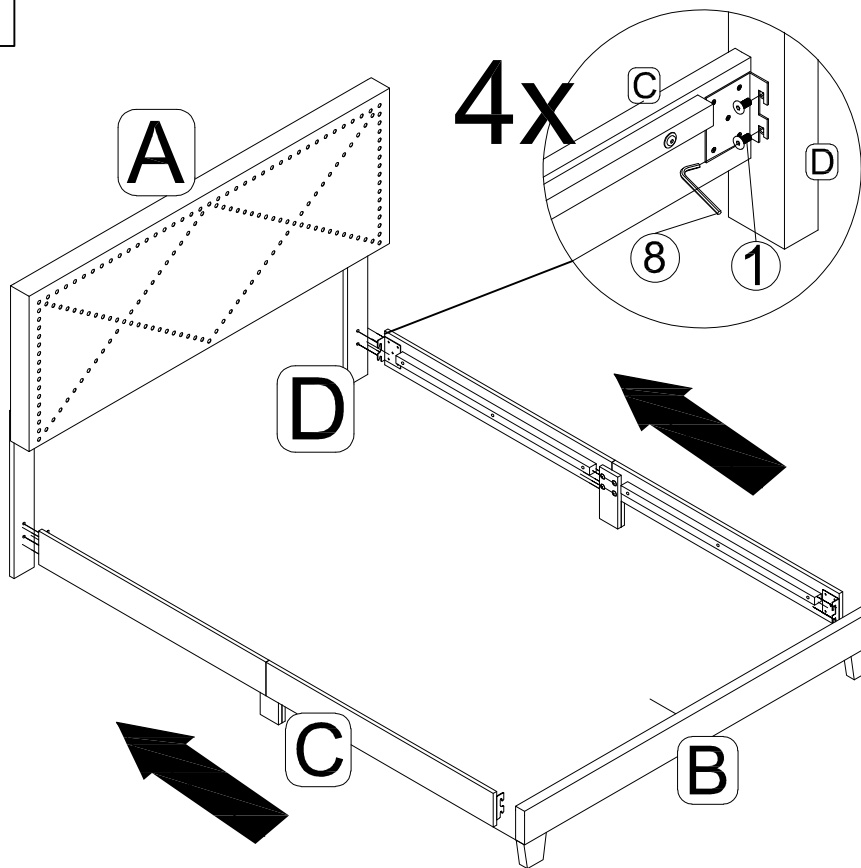


4

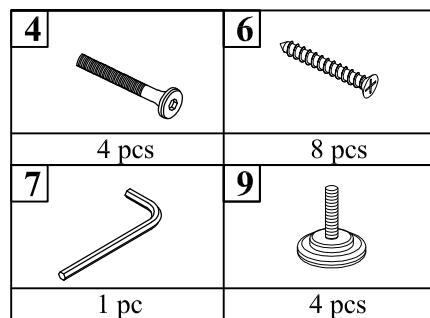
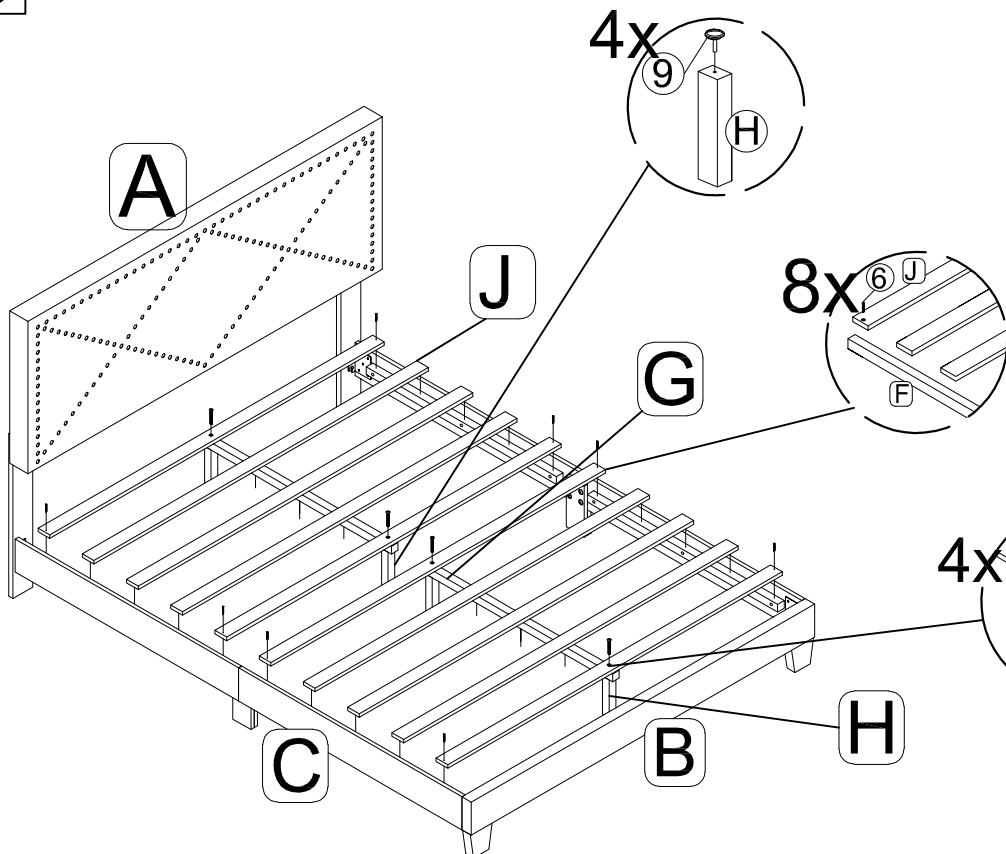


# Assembly Step

5



6



# FULLY COMPLETED ASSEMBLY

