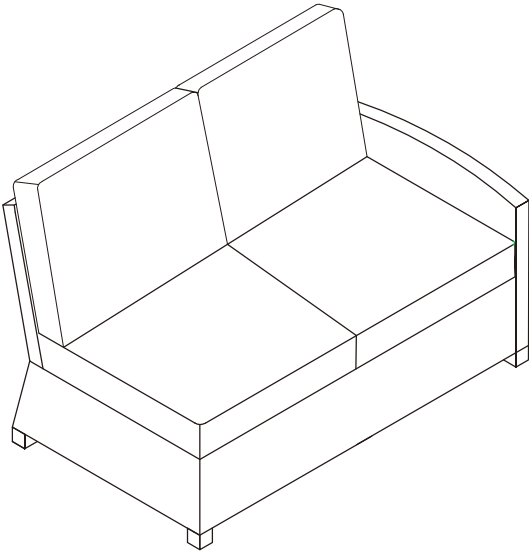
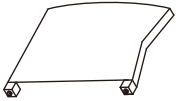

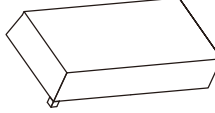


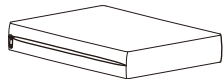



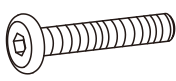
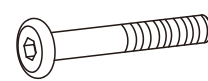



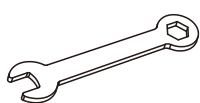
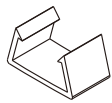
# Outdoor Wicker Sectional Loveseat Right Corner



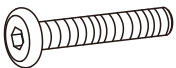
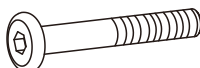


# PART LIST

				
<p>Arm Panel 1 PC</p>	<p>Back Panel 1 PC</p>	<p>Seat Panel 1 PC</p>	<p>Cover Of Seat Cushion * 2 PCS</p>	<p>Core Of Seat Cushion 2 PCS</p>
		<p>*Please note cushion covers will ship separately.</p>		
<p>Cover Of Back Cushion * 2 PCS</p>	<p>Core Of Back Cushion 2 PCS</p>			

# HARDWARE LIST

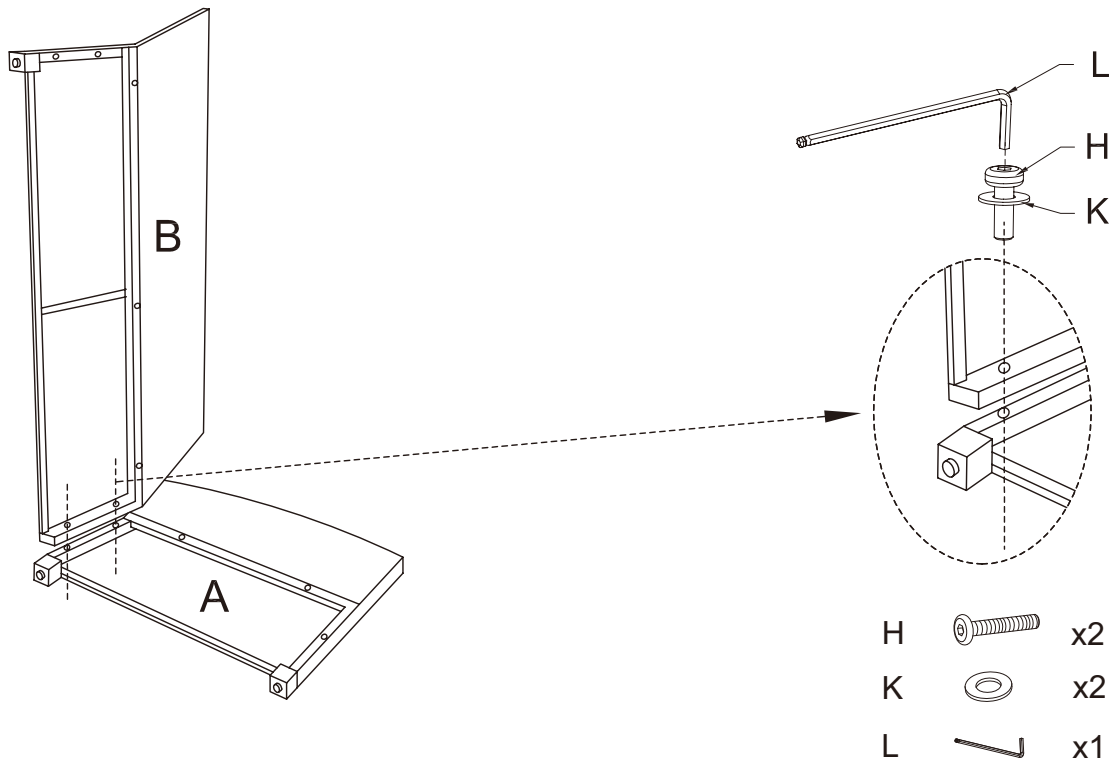
 <p>M6*55mm</p>	 <p>M6*65mm</p>	 <p>M6mm</p>	 <p>M6mm</p>	 <p>M6mm</p>
<p>Medium Bolt 5 PCS</p>	<p>Long Bolt 5 PCS</p>	<p>Nut 5 PCS</p>	<p>Washer 15 PCS</p>	<p>Allen Key 1 PC</p>
 <p>M6mm</p>				
<p>Wrench 1 PC</p>	<p>Plastic Clip 2 PCS</p>			

# EXTRA HARDWARE LIST

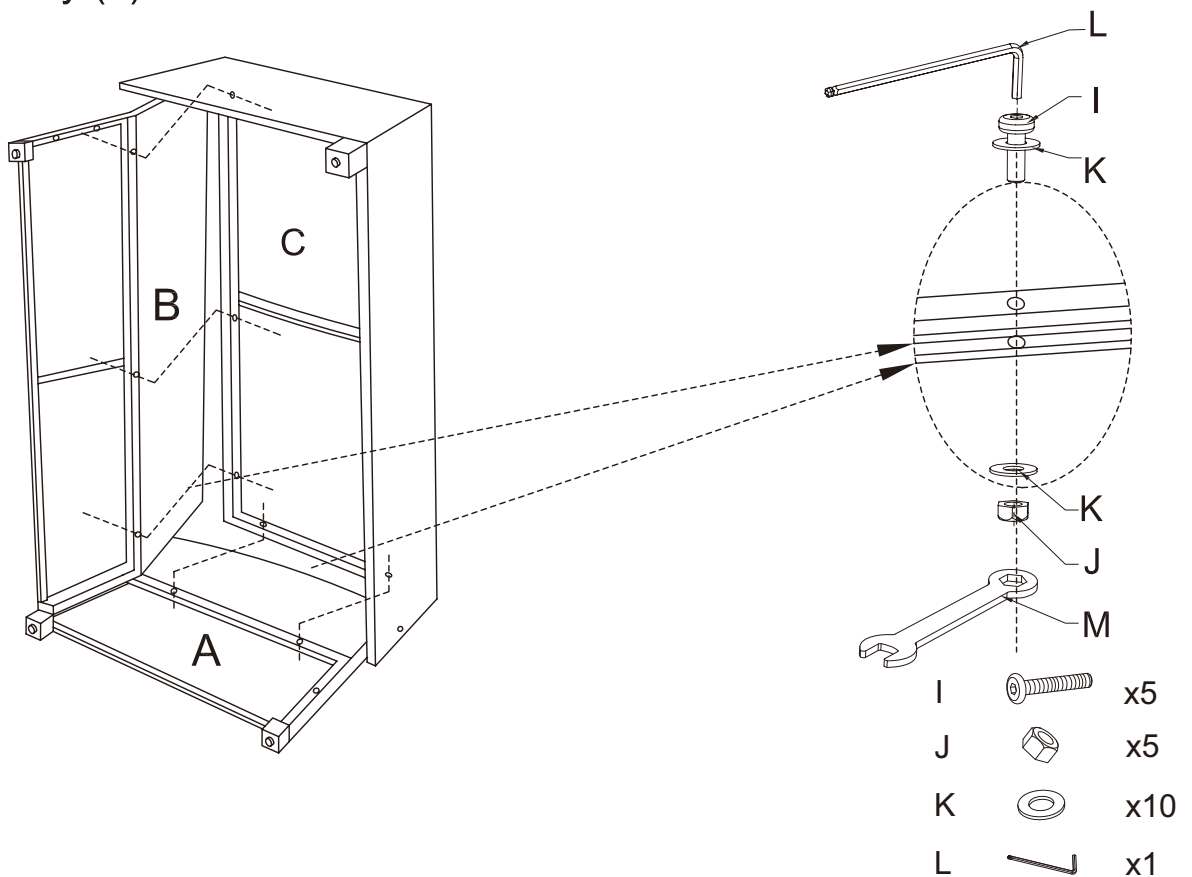
 <p>M6*55mm</p>	 <p>M6*65mm</p>	 <p>M6mm</p>	 <p>M6mm</p>
<p>Medium Bolt 2 PCS</p>	<p>Long Bolt 2 PCS</p>	<p>Nut 2 PCS</p>	<p>Washer 3 PCS</p>

**Step 1.** Lay Arm Panel (A) down on a flat surface. Attach Back Panel(B) to Arm Panel(A) using the Short Bolts(H), Washers(K), & Allen Key (L).

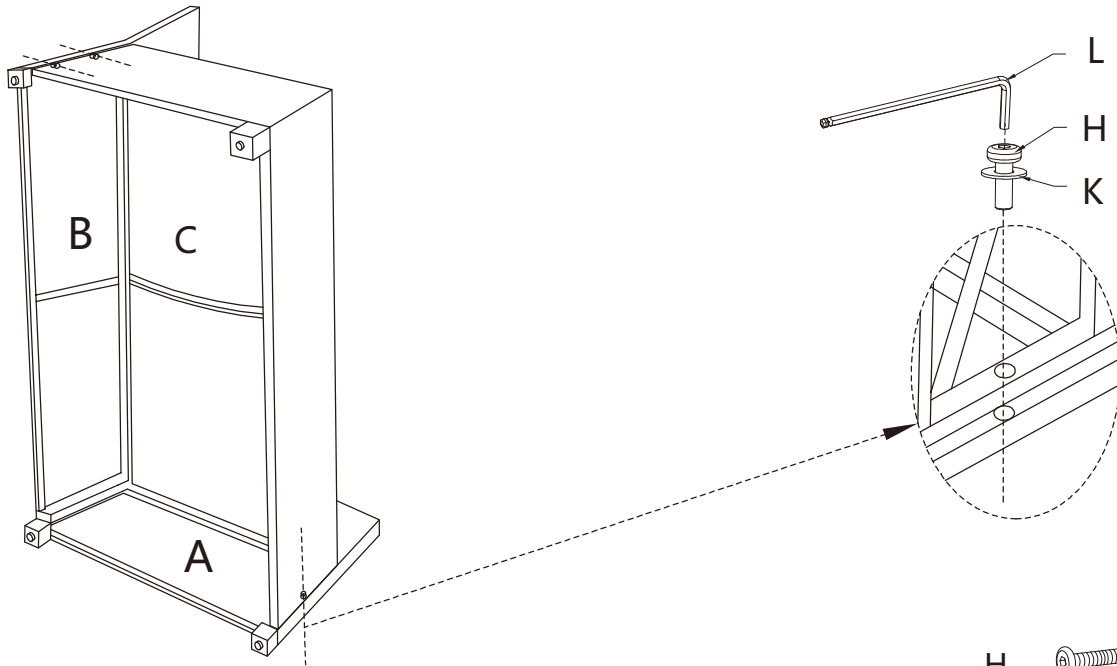
NOTE: Please do not fully tighten bolts until unit is fully assembled.






**Step 2.** Attach Seat Panel(C) to Arm Panel(A) and Back Panel (B) using the Long Bolts( I) Washers(K), Nuts(J), Wrench (M) & Allen Key (L).

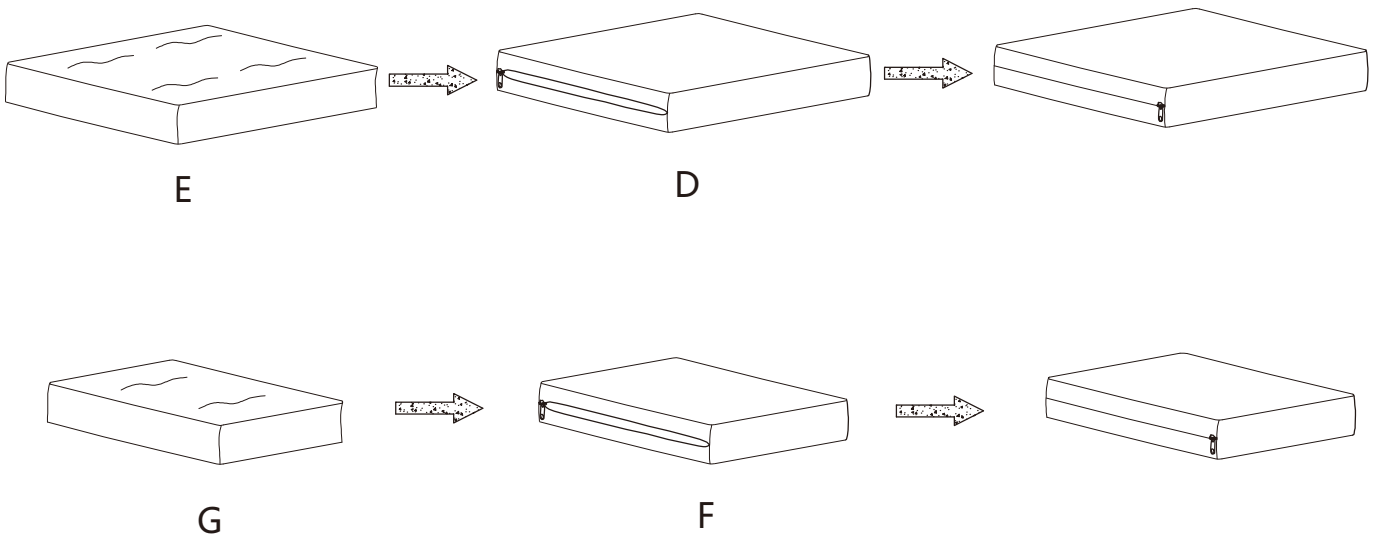


**Step 3** Attach Seat Panel (C) to Arm Panel (A) and Back Panel (B) using the Short Bolts(H), Washers (K) & Allen Key (L).

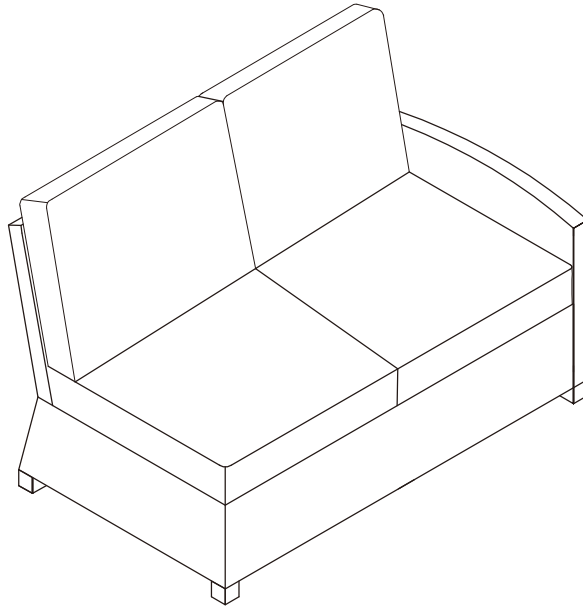


- |   |  |    |
|---|--|----|
| H |   | x3 |
| K |   | x3 |
| L |  | x1 |

**Step 4** Insert Core Of Seat Cushion (E) into Cover Of Seat Cushion (D).  
Insert Core Of Back Cushion (G) into Cover Of Back Cushion (F).



**Step 5.** Place Seat Cushion and Back Cushion on the loveseat.



**Step 6.** Use plastic clips (part N) to secure additional units together as shown.

