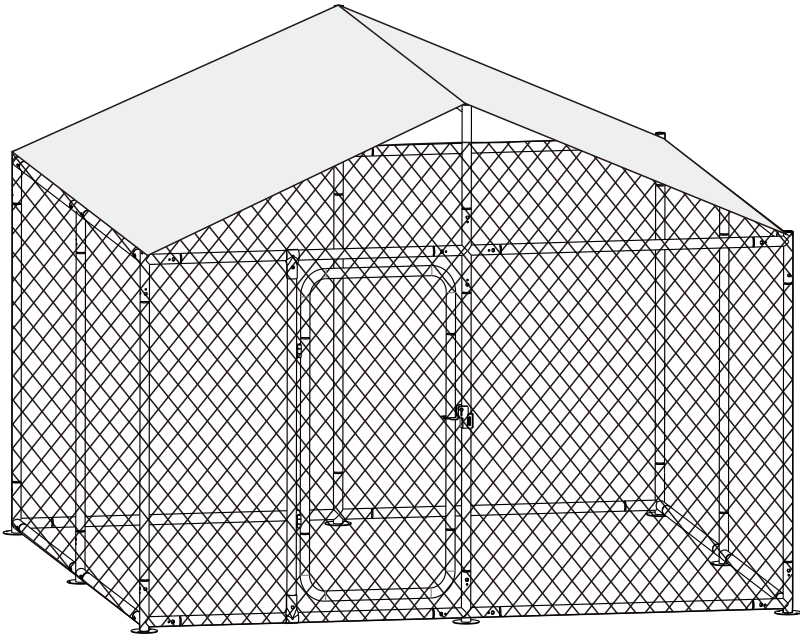


Large Square Pet Run

90" × 90" × 63" Large Square Pet Run Owner's Manual



Assembly Time: About 1 Hour (with 2 people)
The black point is the place to tight the hose clamp (part I)

Large Square Pet Run

90" x 90" x 63"



PART LIST

PART A

PART NO.	STYLE PIC	QUANTITY
①	L72.7cm	1
②	L72.7cm	1
③	L99cm	16
④	L108cm	1

⑥	L108cm	1
⑧	L107cm	1
K	Big Mesh	1
L	Door Mesh	1

PART B

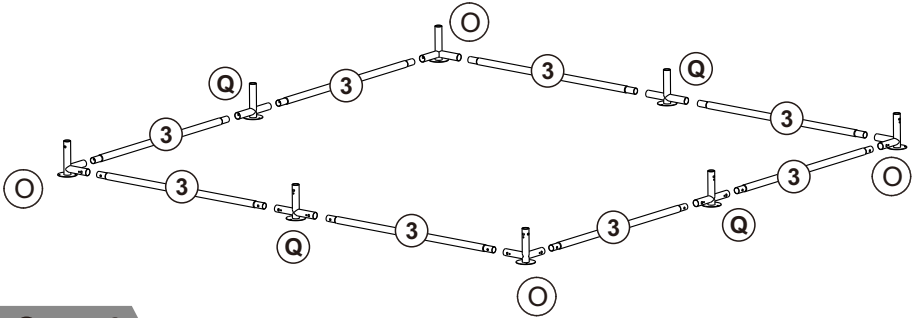
PART NO.	STYLE PIC	QUANTITY
A	T-Clamps	4
B	Door Hinge	2
C	Ground Nail	16
D	Kennel Gate Latch	1
E	M8x50 Screws	2
F	M5x16 Screws	8
G	Self-tapping Screw	56
H	M8x30 Screws	2
I	Wrap Ties	150
J	Stainless Steel Cable Ties	150

M	Rain Cover	1
N	90° three-way	4
O	90° three-way (Footing)	4
P	three-way	2
Q	three-way (Footing)	4
R	four-way	2
S	glove	1
③	L99cm	8
⑤		2
⑦		2

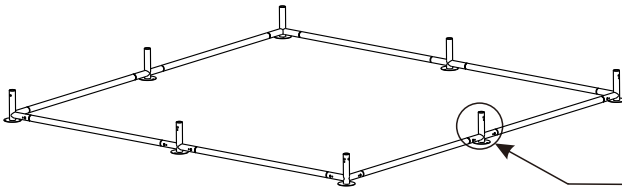
Large Square Pet Run

90" x 90" x 63"

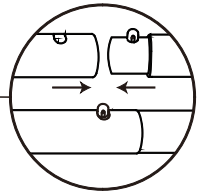
Step 1



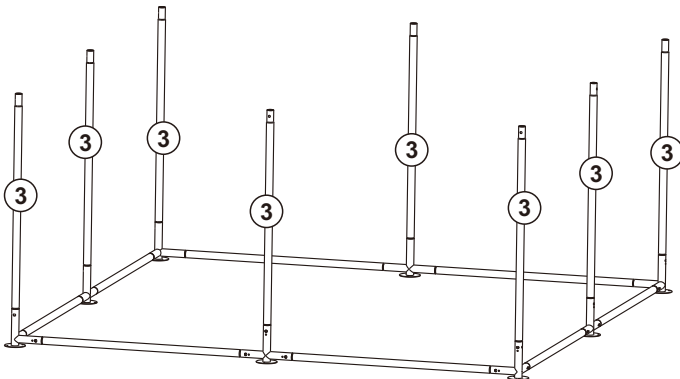
Step 2



- Repeat this step twice for the top and bottom frame



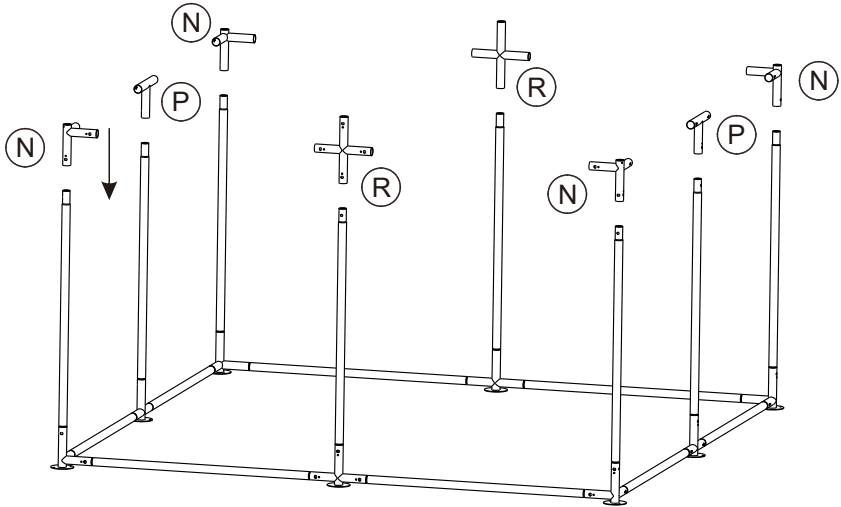
Step 3



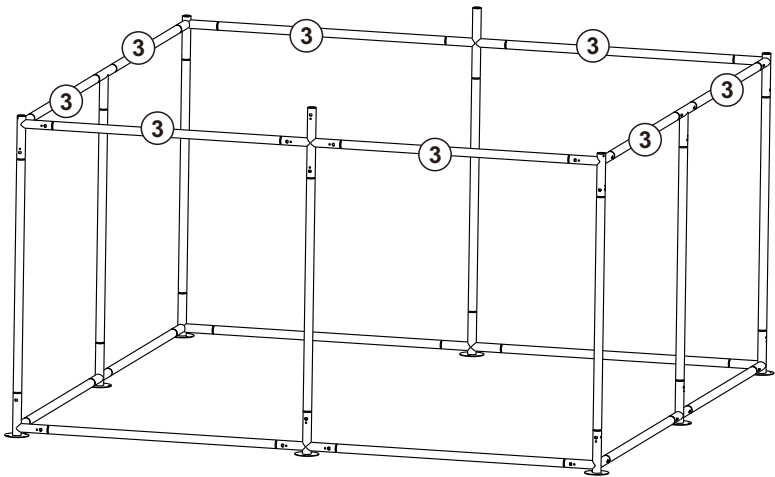
Large Square Pet Run

90" x 90" x 63"

Step 4



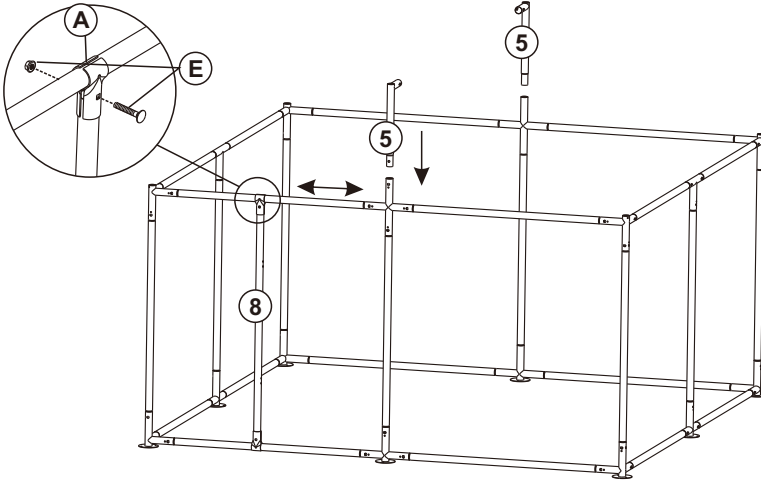
Step 5



Large Square Pet Run

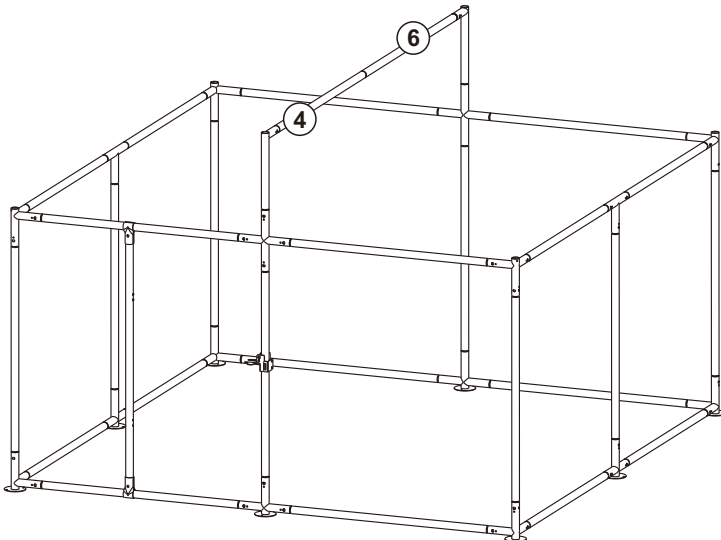
90" x 90" x 63"

Step 6



Step 7

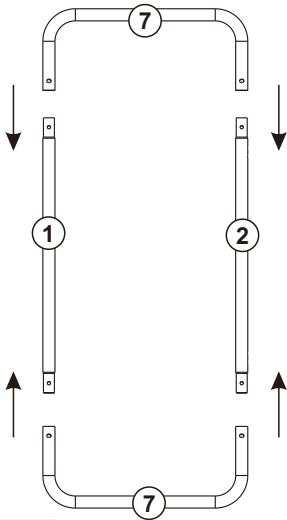
When installing (a) clip, do not lock the screw first. It can be locked only after it is adjusted according to the width of the door.



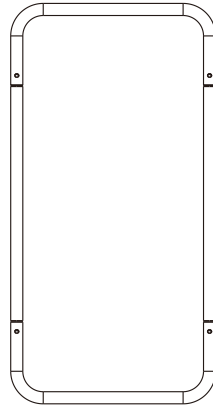
Large Square Pet Run

90" x 90" x 63"

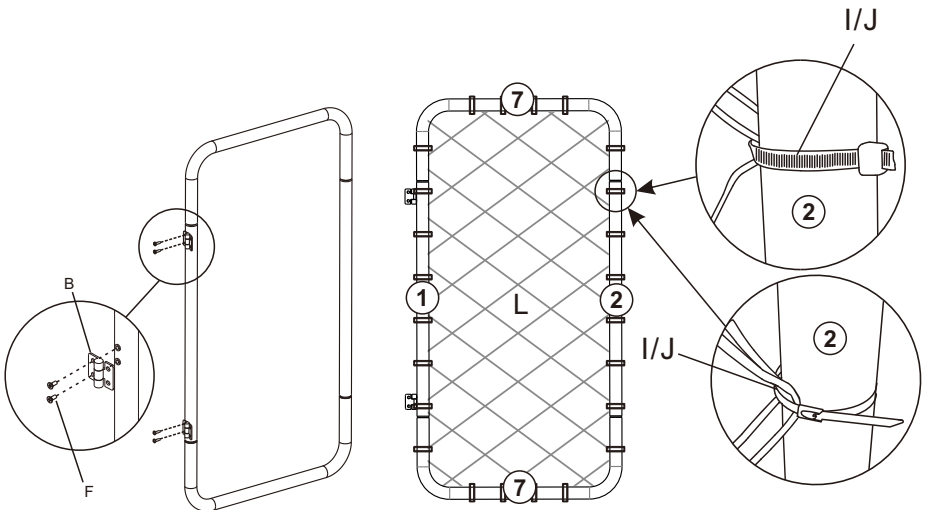
Step 8



Step 9



Step 10

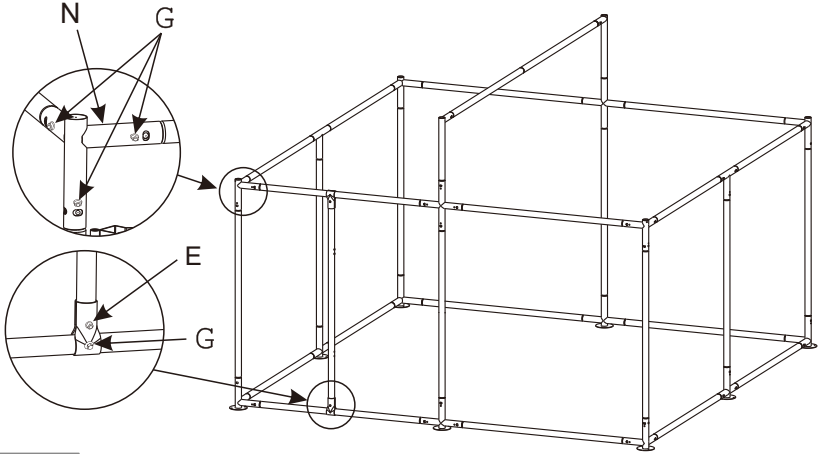


Two Stainless Steel Cable Ties are rolled with plastic ties or iron wire ties in the middle

Large Square Pet Run

90" x 90" x 63"

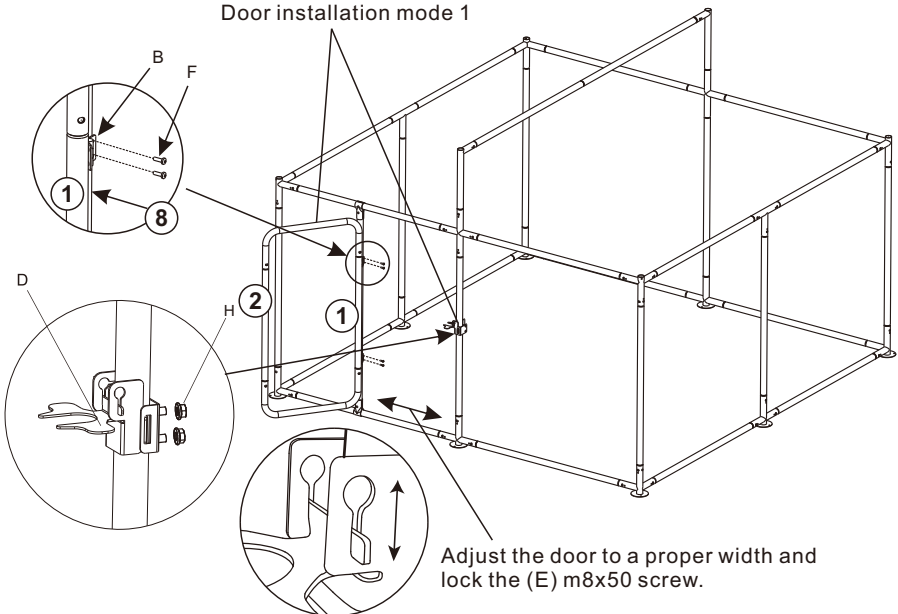
Step 9



Step 10

Lock it with (G) drill tail tapping screw to make it more firm

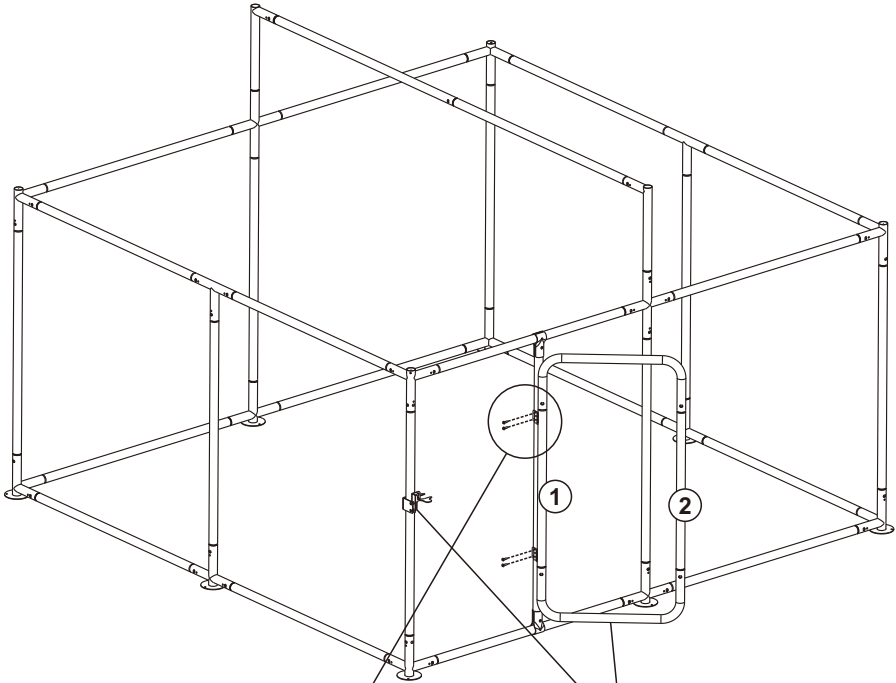
Door installation mode 1



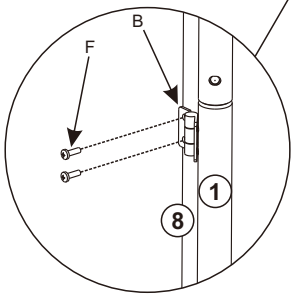
Large Square Pet Run

90" x 90" x 63"

Step 9



Door installation mode 2



Large Square Pet Run

90" x 90" x 63"

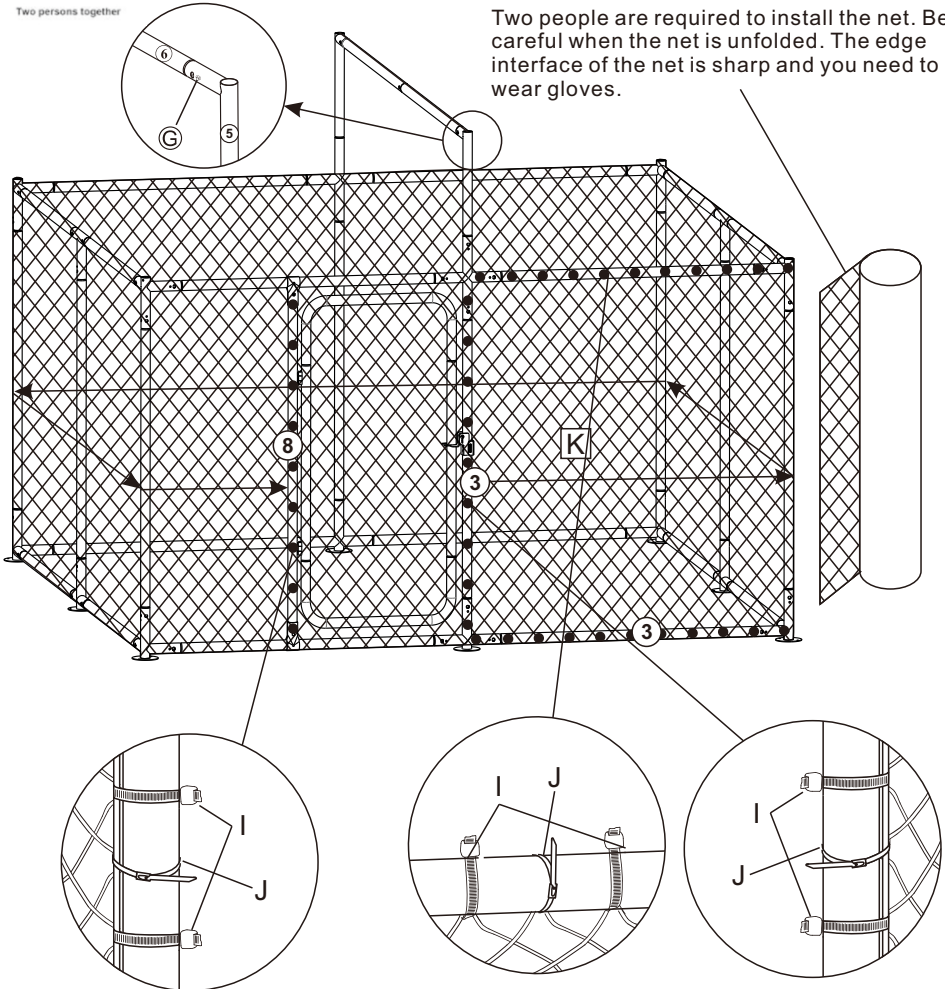
Step 11



Two persons together

Lock it with (G) drill tail tapping screw to make it more firm

Two people are required to install the net. Be careful when the net is unfolded. The edge interface of the net is sharp and you need to wear gloves.



When installing the net, first bind one end of the net to tube 8 with a tie, wrap the net on the frame, and bind tube 3 with a tie until the net is completely unfolded, and bind the other end to tube 3.

A stainless steel strap in the middle of the two plastic straps makes the mesh more secure.

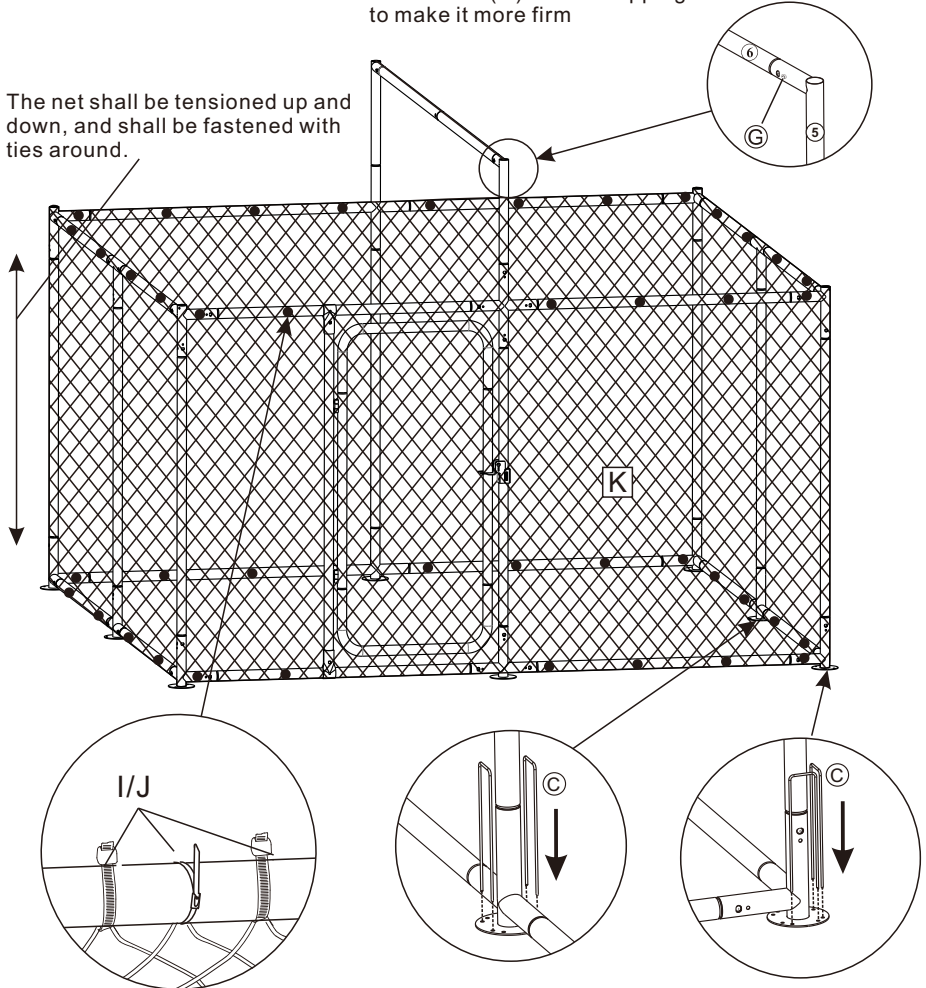
Large Square Pet Run

90" x 90" x 63"

Step 11

Lock it with (G) drill tail tapping screw to make it more firm

The net shall be tensioned up and down, and shall be fastened with ties around.



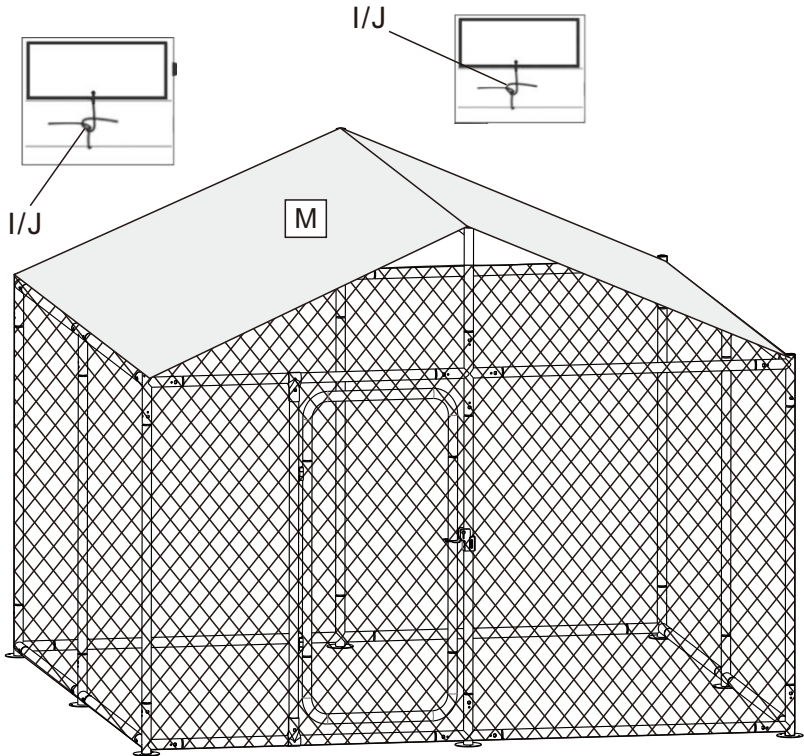
A stainless steel strap in the middle of the two plastic straps makes the mesh more secure.

The 16 floor nails can prevent the dog from moving when hitting the cage.

Large Square Pet Run

90" x 90" x 63"

Step 12



Install the rain cover one the top of the dog run. Then a beautiful dog kennel with cover is finished.