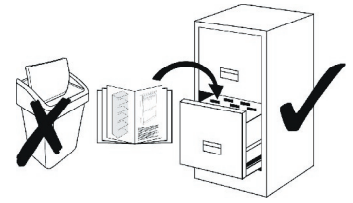
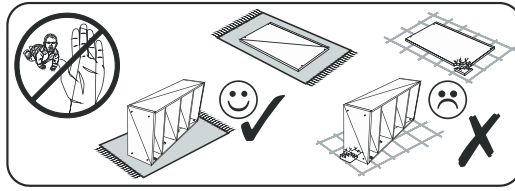
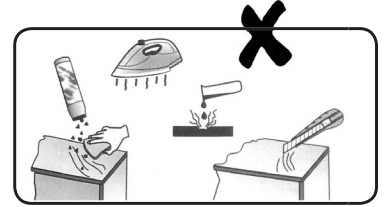
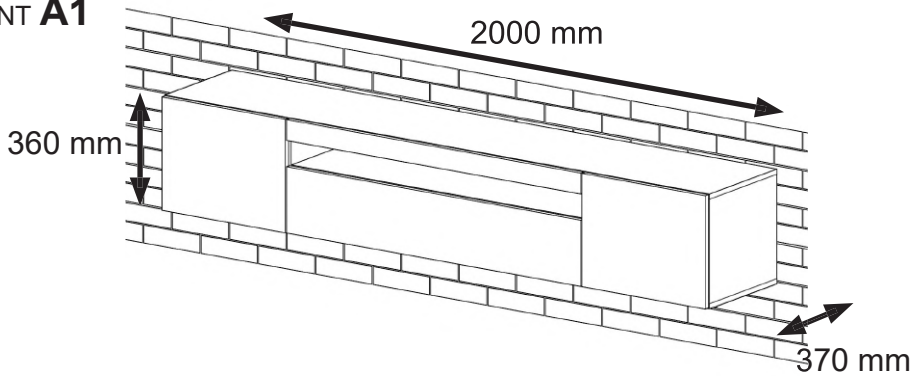




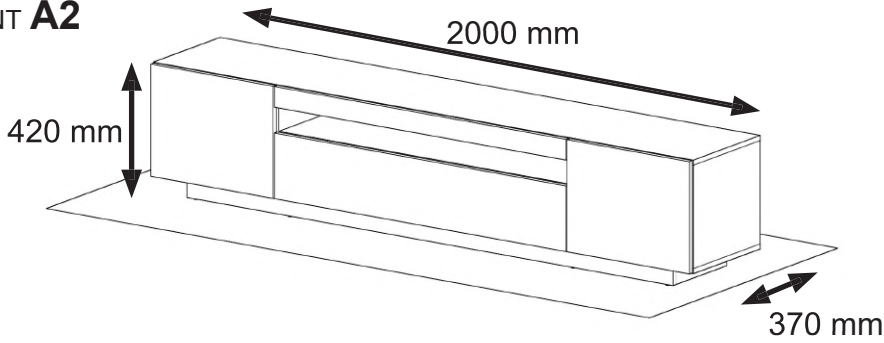
120 min



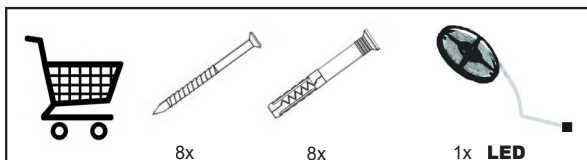
VARIANT A1

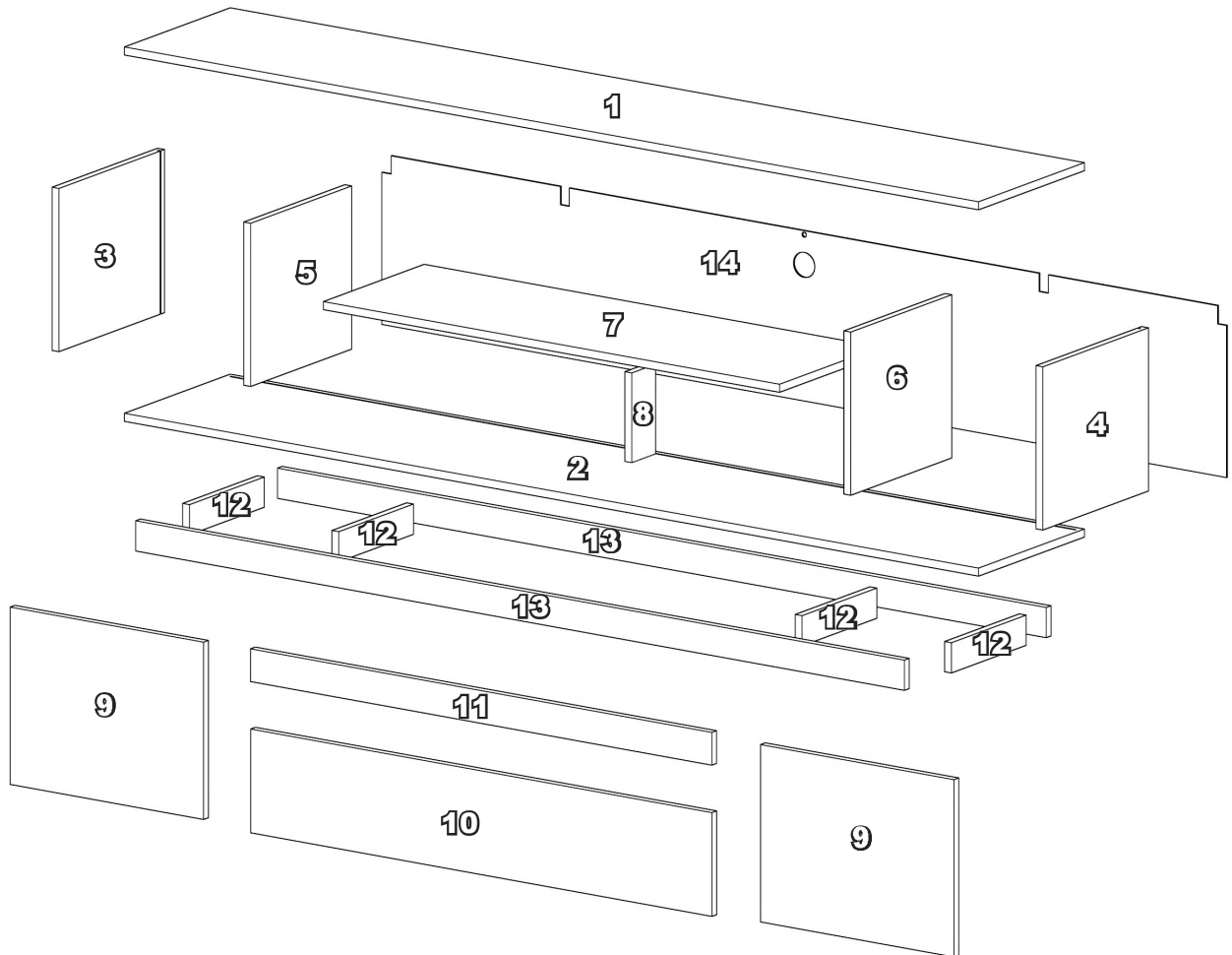
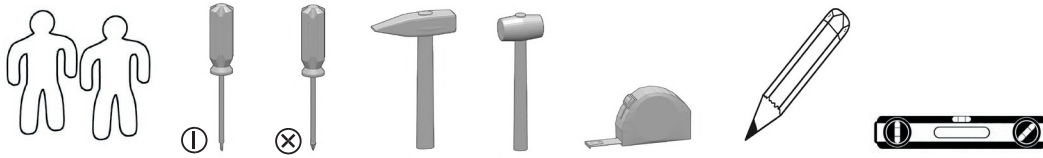


VARIANT A2



B1 30x 8x30	K5 32x 20/ø6x11	K1 32x ø15x12	G22 10x 3x16	G34 36x 3.5x16	G3 8x 4x30
A1 1x 7/50	W2 1x 4mm	C3 6x	D3 6x	12x 6.3x13	G29 8x 6x13
U9R 2x	U9L 2x	L11 4x	P20 8x	P4 8x	I1 22x
I7a 16x ø15	I7b 16x ø15	I7c 16x ø15	I7d 16x ø15	U3S 4x 50	L6 2x

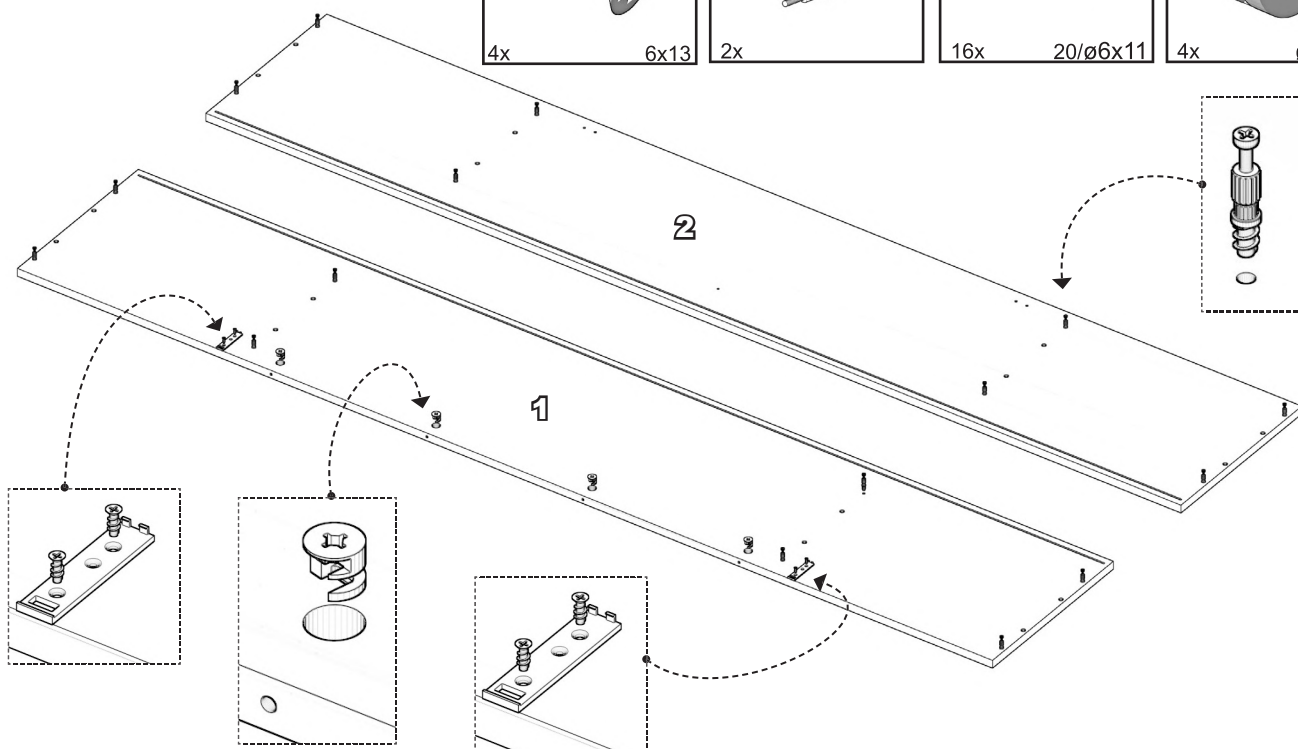
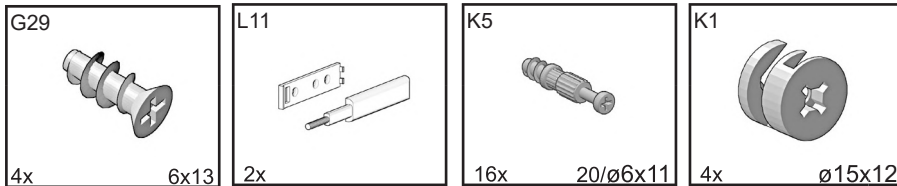




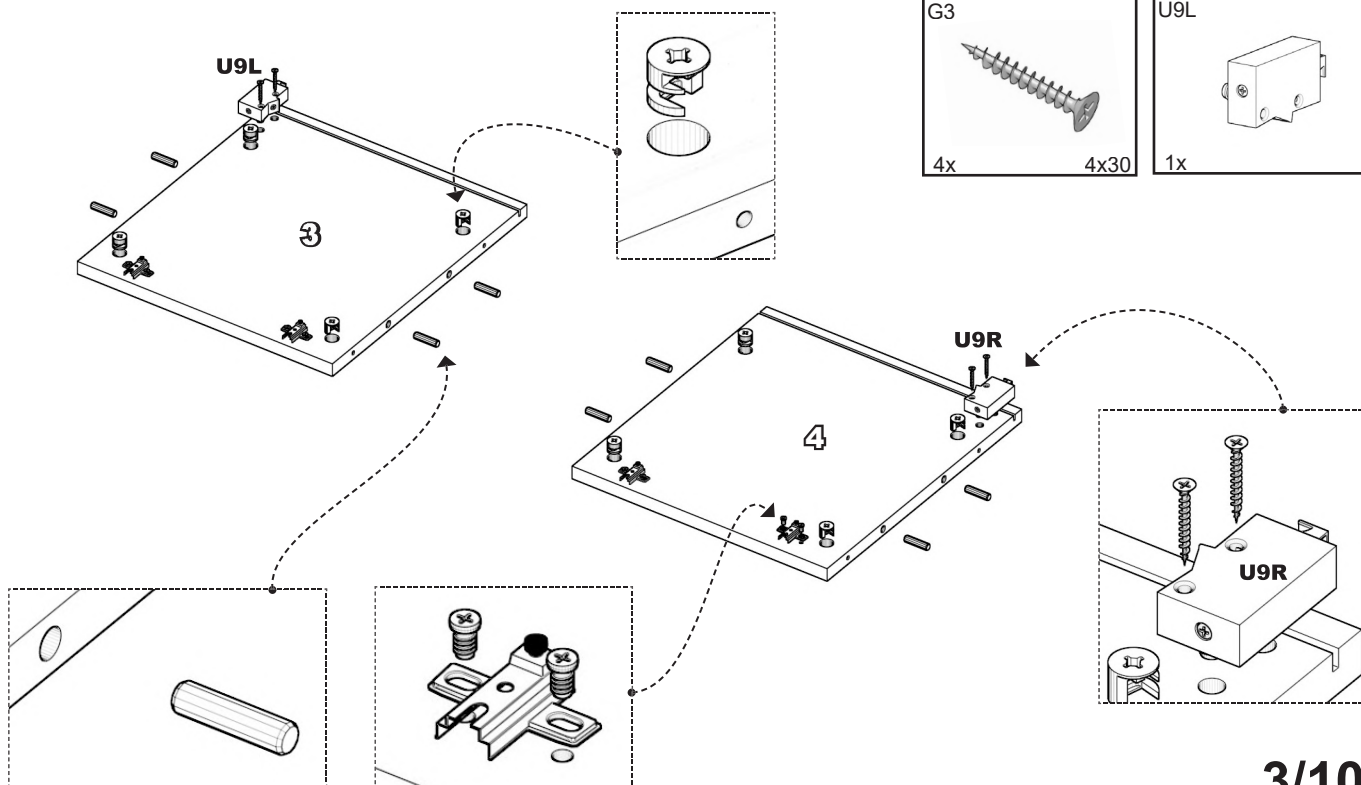
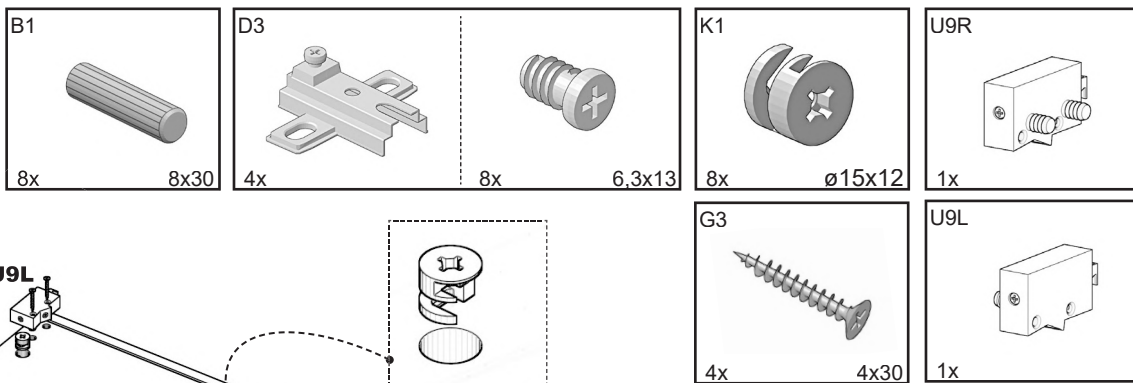
REP	DIM	QTE	package
1	2000 x 354 x 16	1	1/1
2	2000 x 354 x 16	1	1/1
3	324 x 353 x 16	1	1/1
4	324 x 353 x 16	1	1/1
5	324 x 338 x 16	1	1/1
6	324 x 338 x 16	1	1/1
7	1068 x 337 x 16	1	1/1

REP	DIM	QTE	package
8	178 x 80 x 16	1	1/1
9	453 x 352 x 16	2	1/1
10	1080 x 206 x 16	1	1/1
11	1080 x 65 x 16	1	1/1
12	250 x 60 x 16	4	1/1
13	1800 x 60 x 16	2	1/1
14	1978 x 338 x 2,5	1	1/1

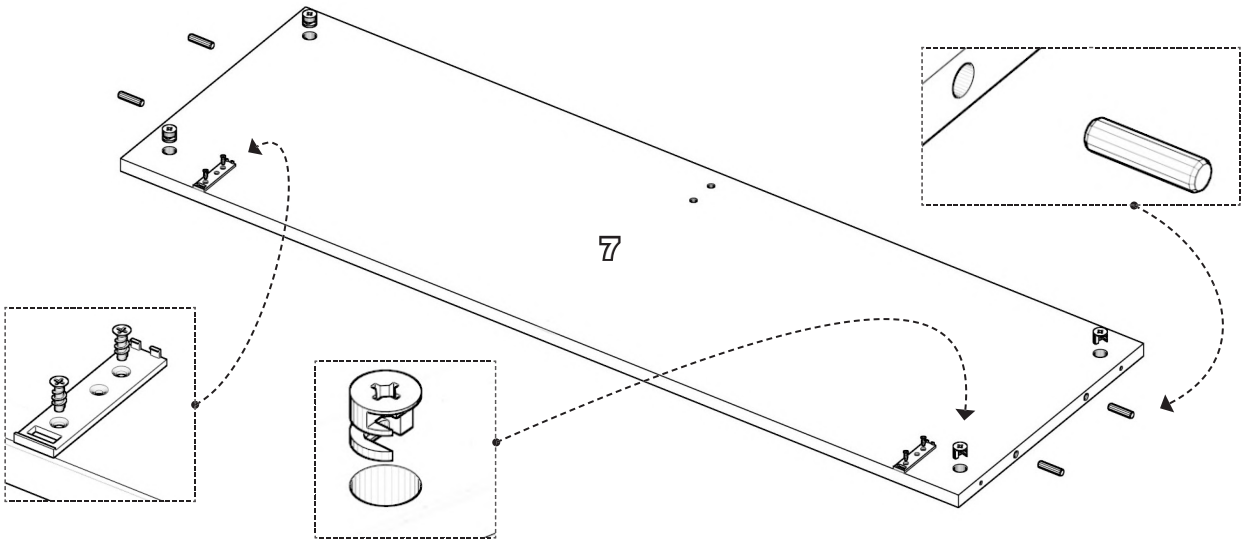
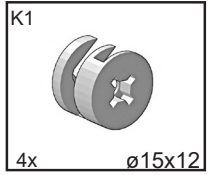
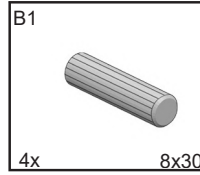
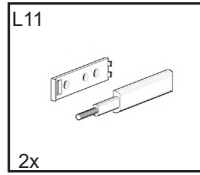
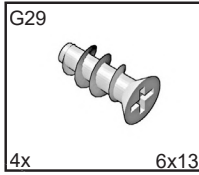
1



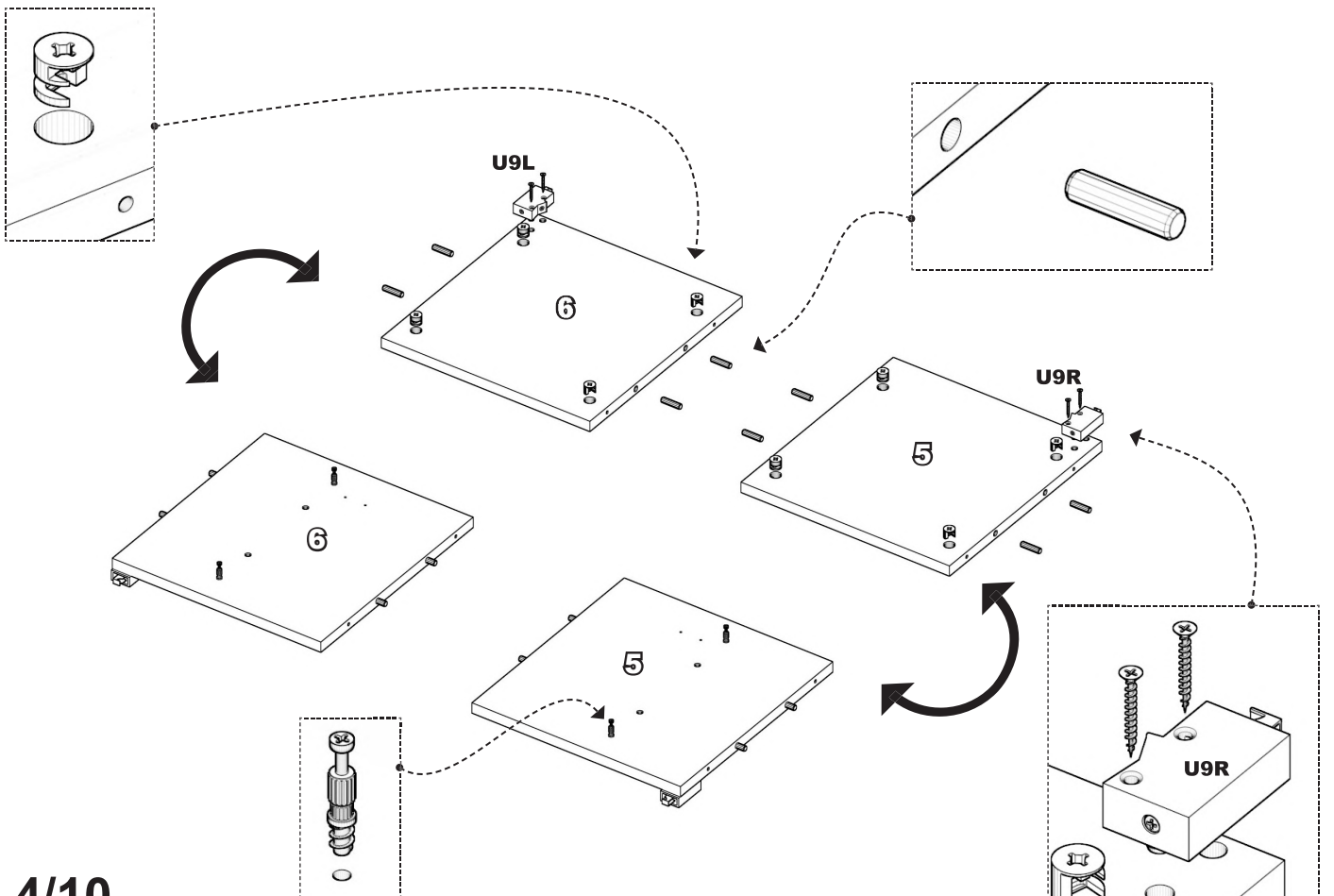
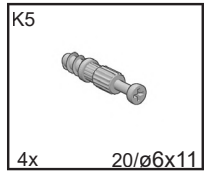
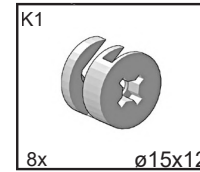
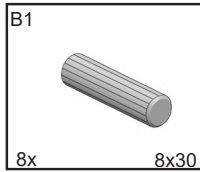
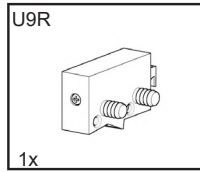
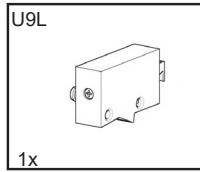
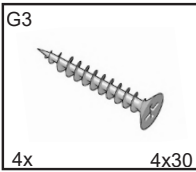
2



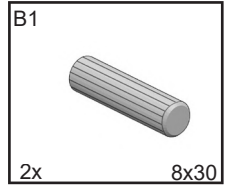
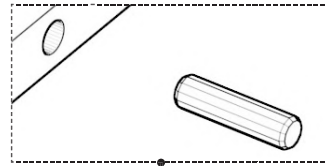
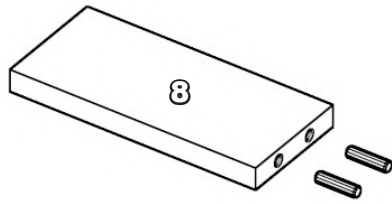
3



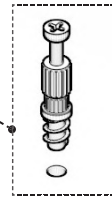
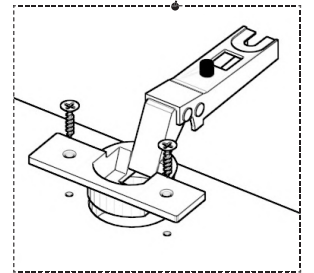
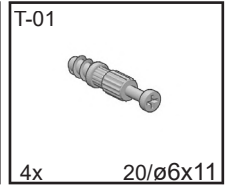
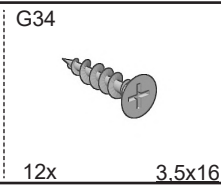
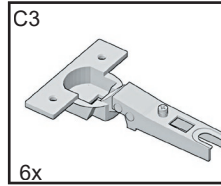
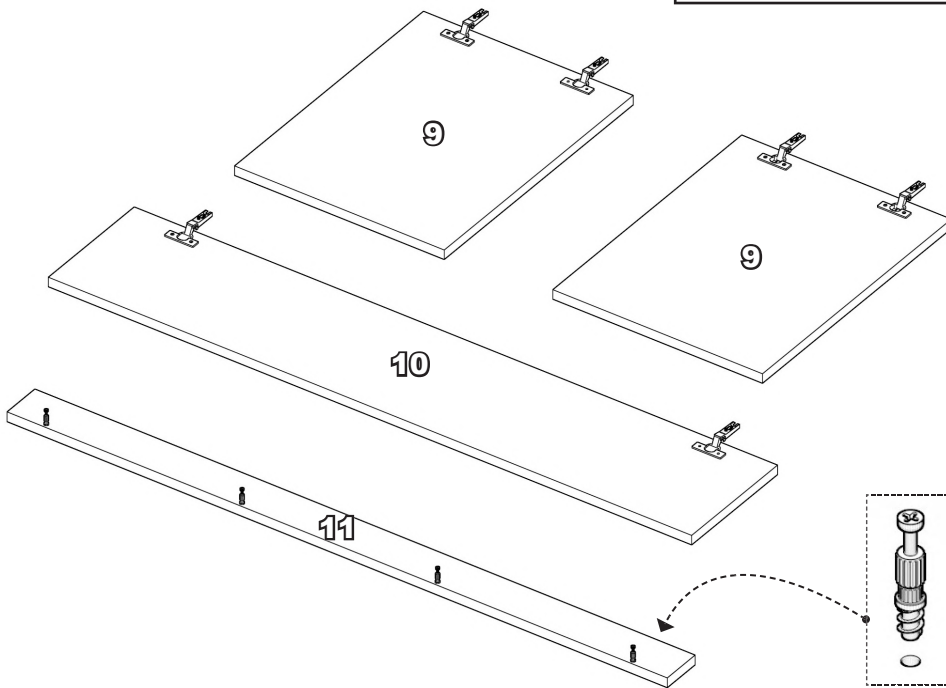
4



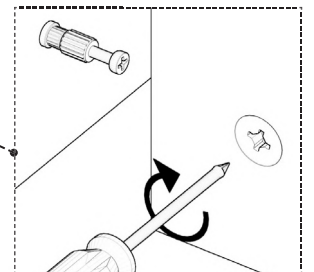
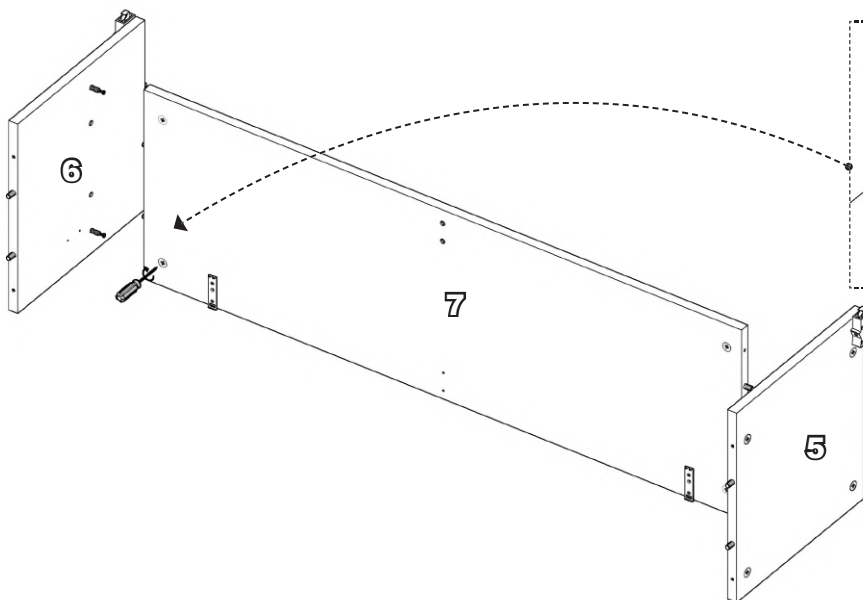
5



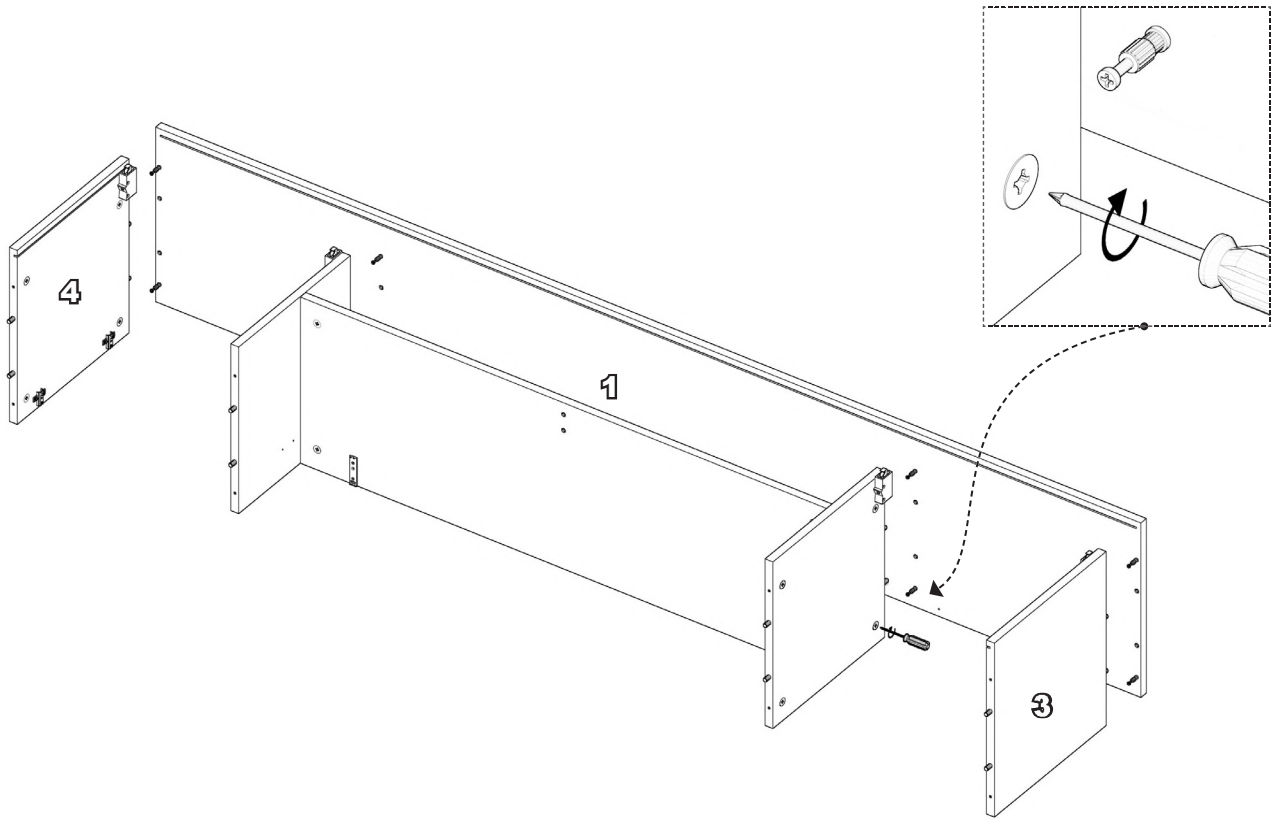
6



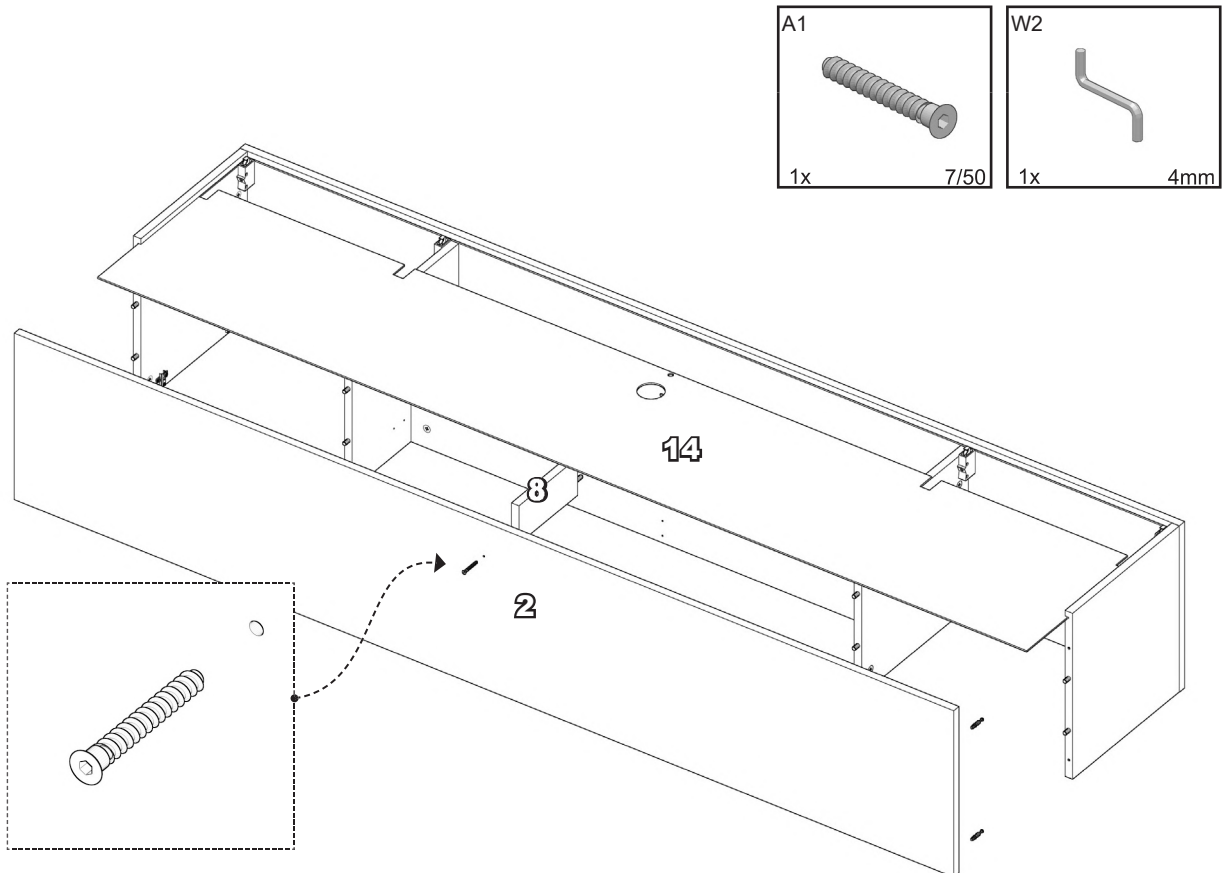
7



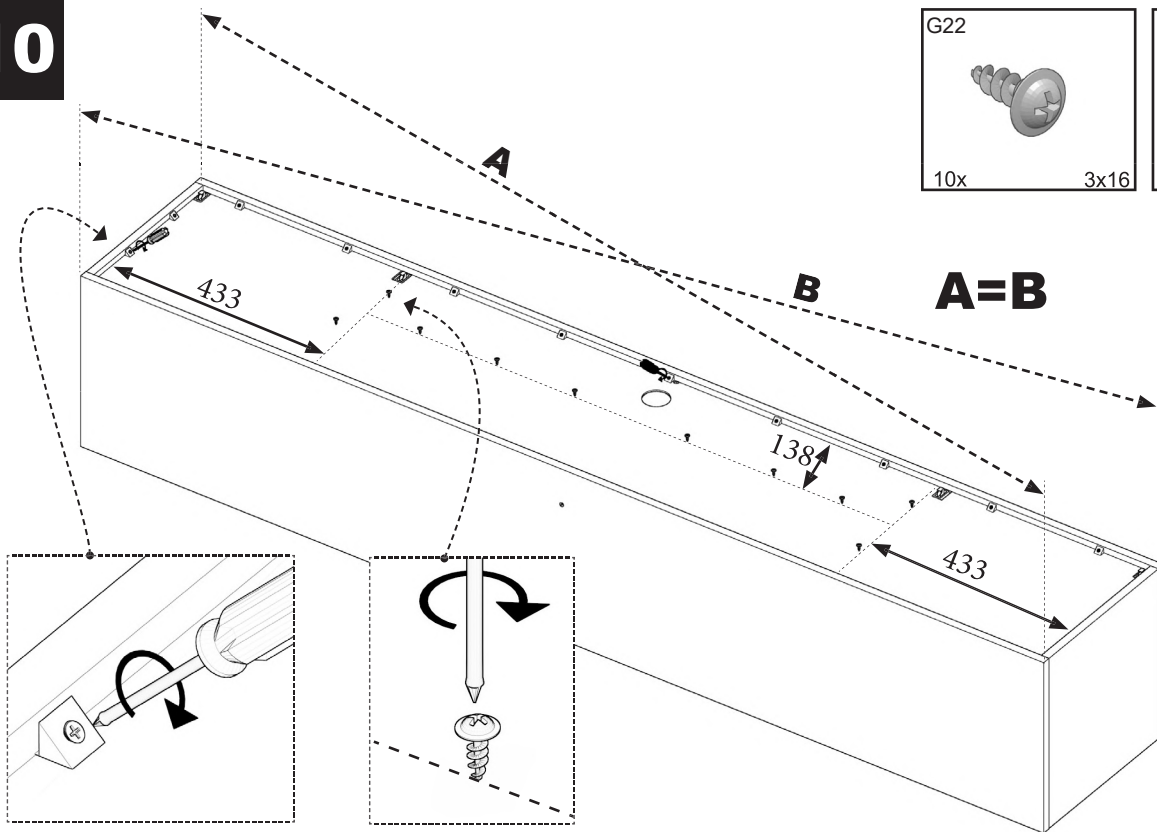
8



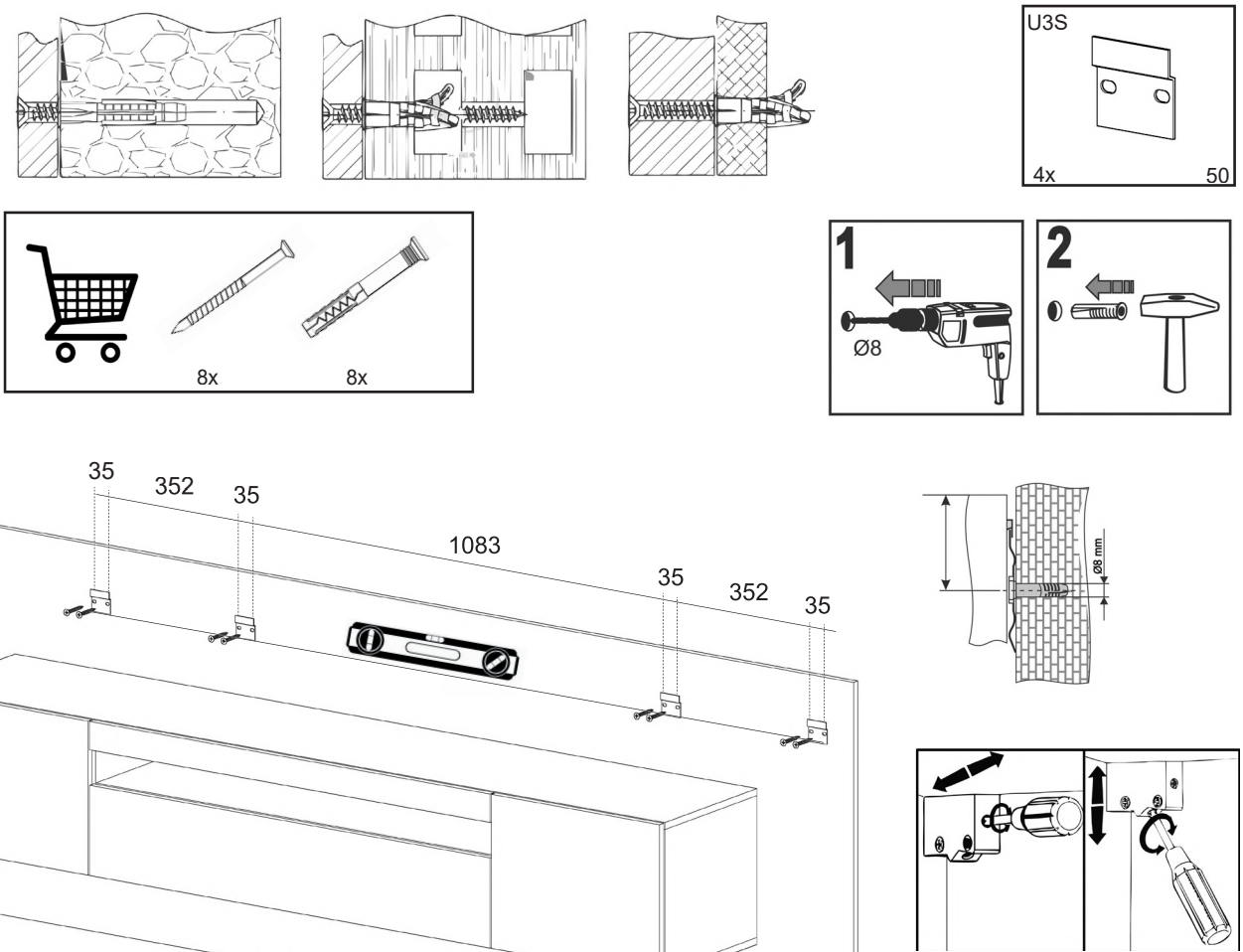
9



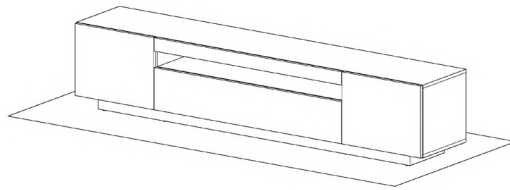
10



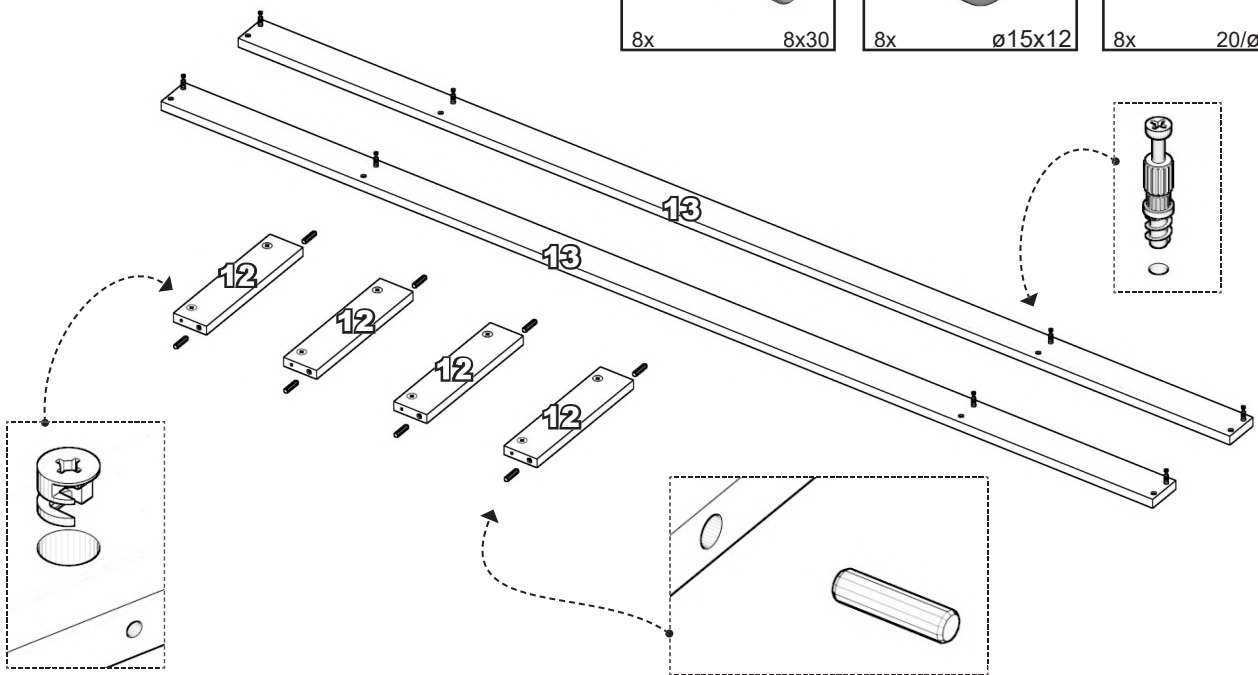
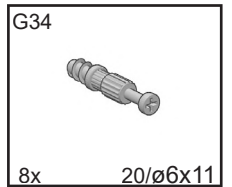
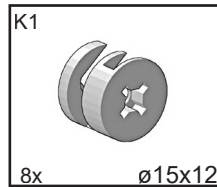
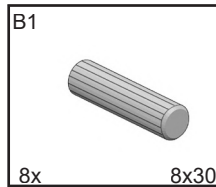
11



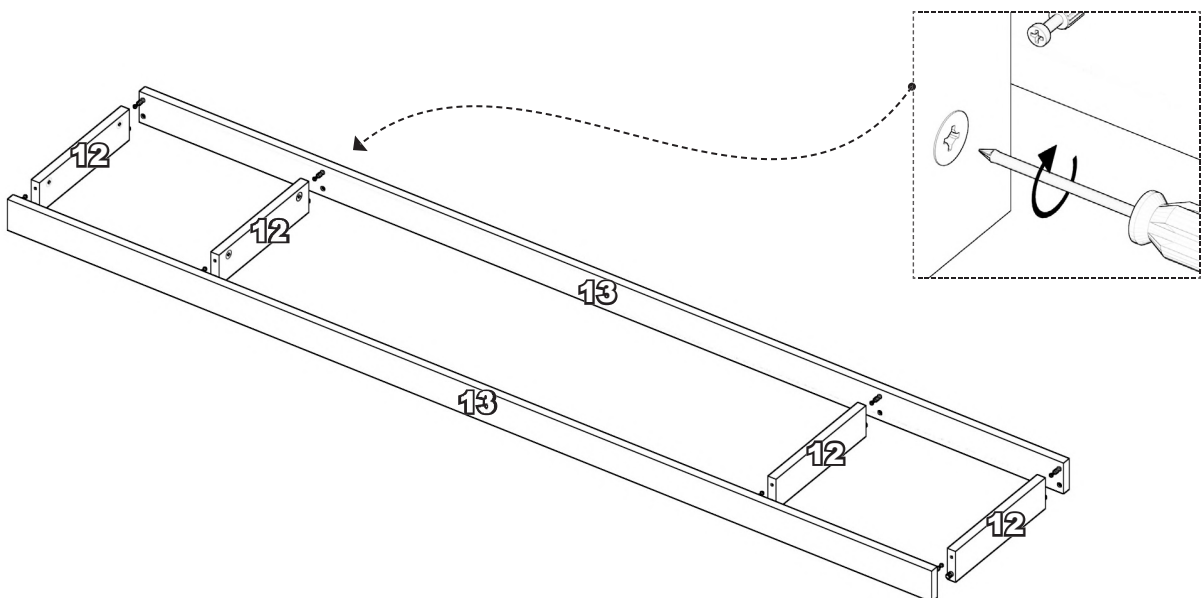
12



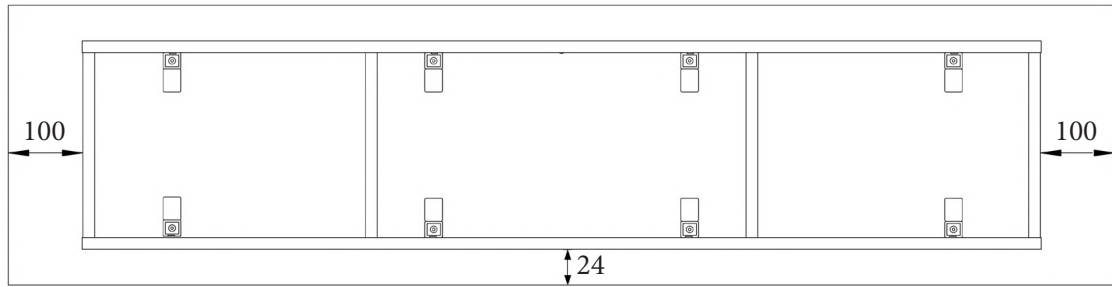
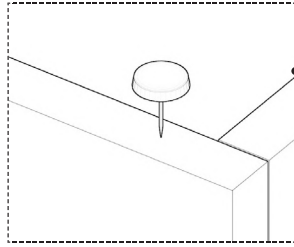
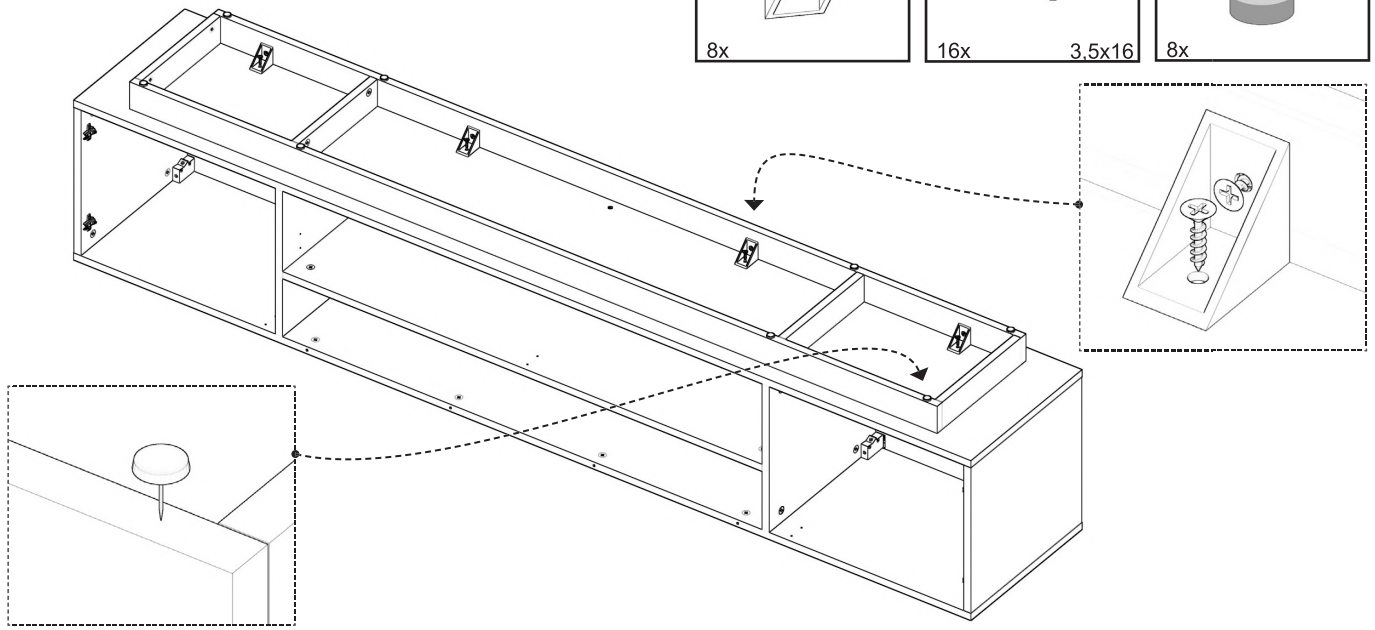
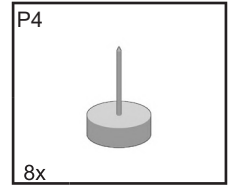
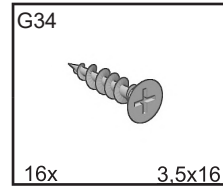
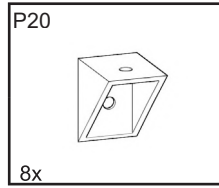
13



14

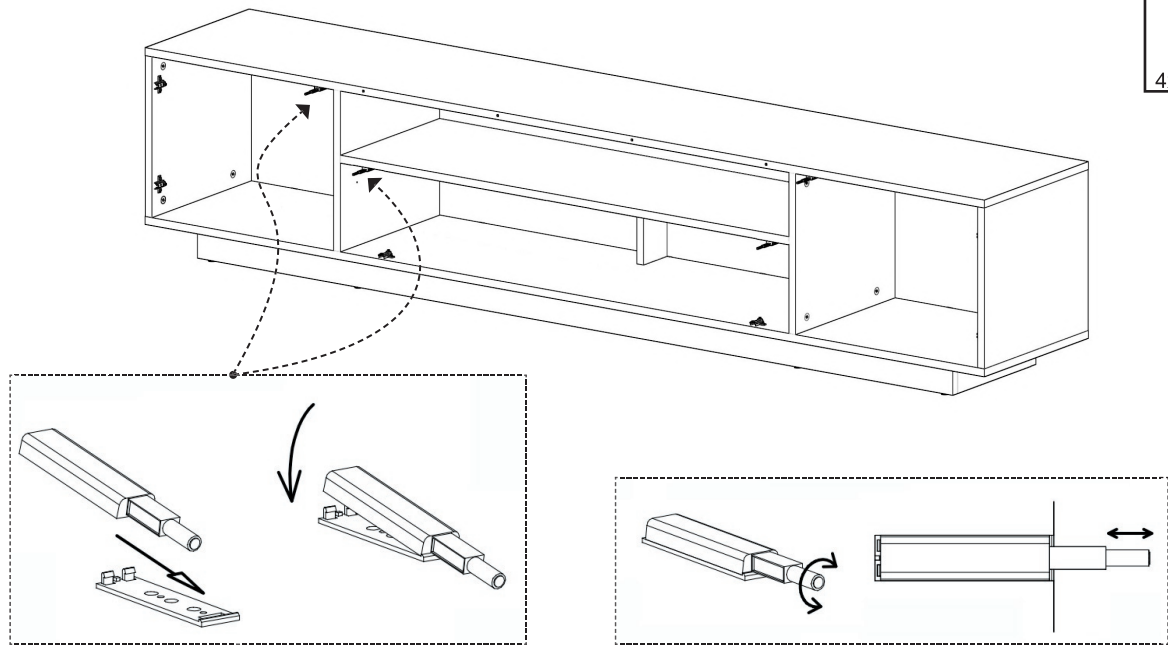
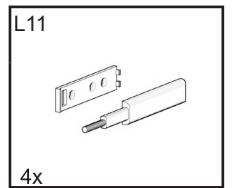


15

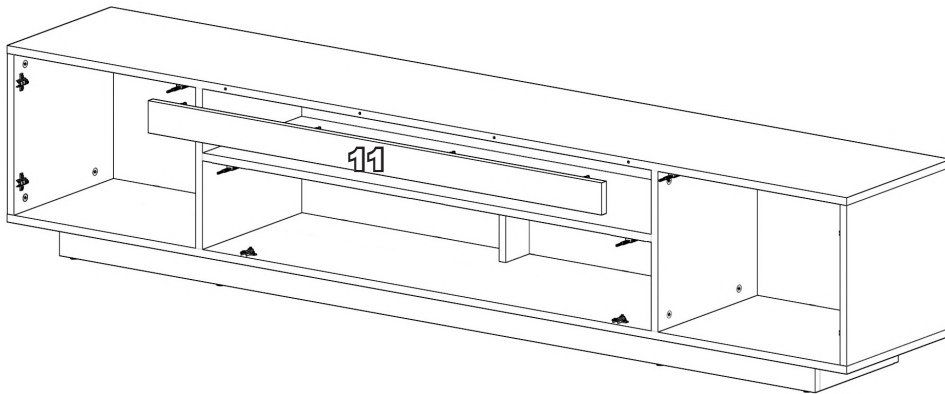


FRONT

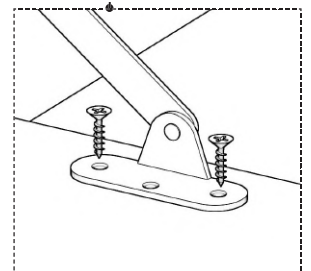
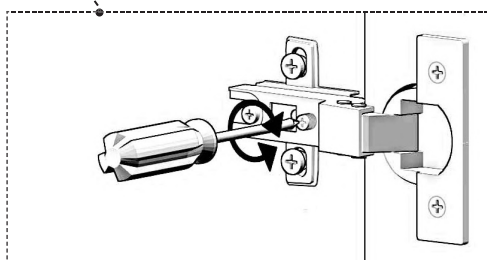
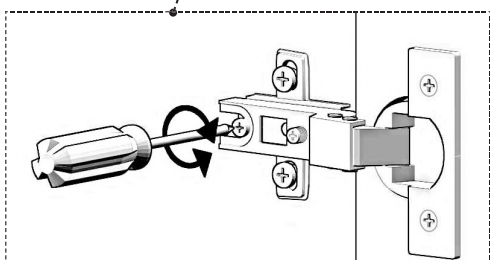
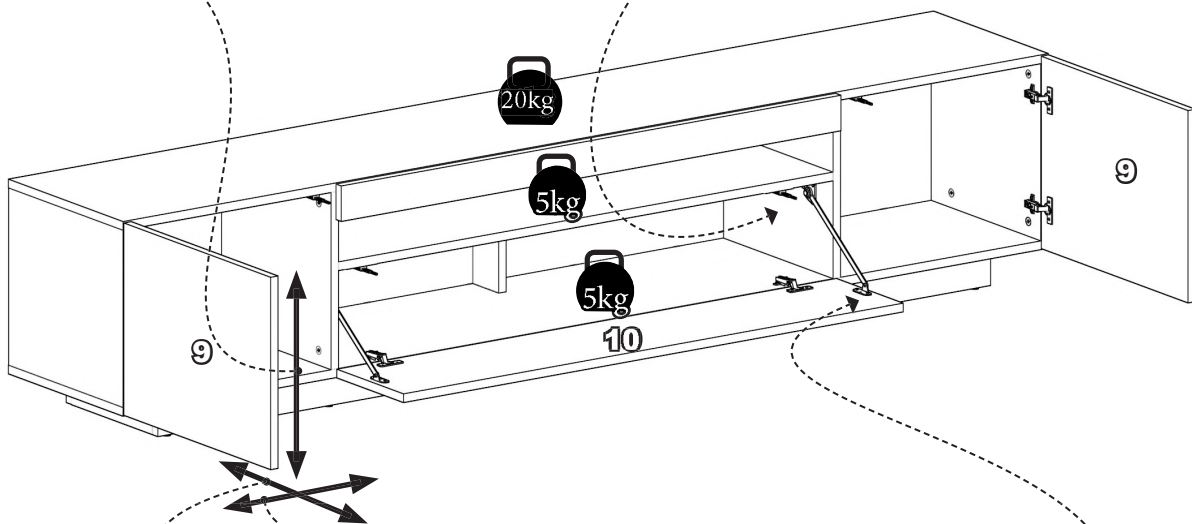
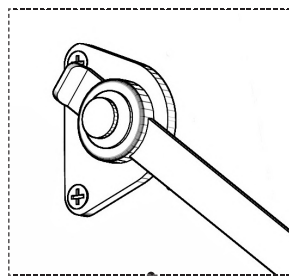
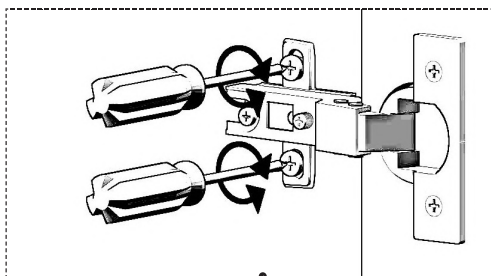
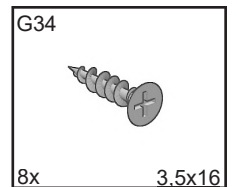
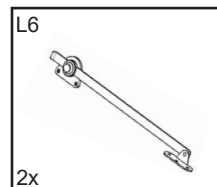
16



17



18



10/10