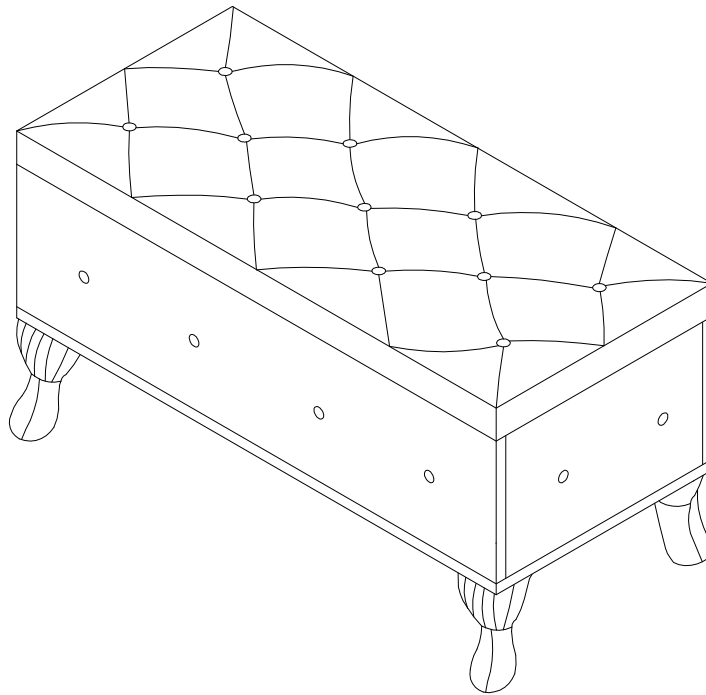


ASSEMBLY INSTRUCTIONS

Bench

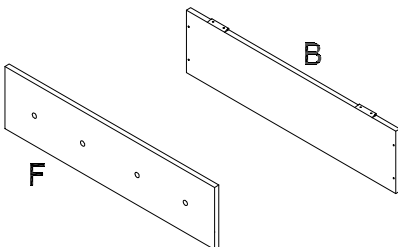
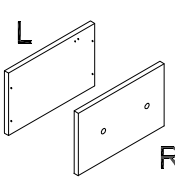
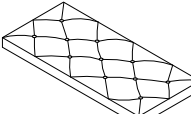
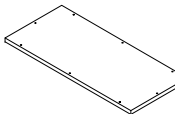


NOTE TO CUSTOMERS:

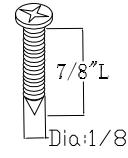
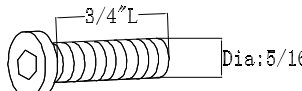
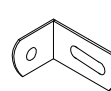
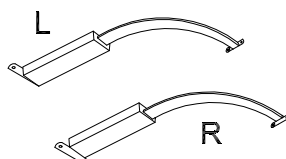
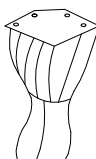

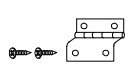
- For ease and speed of assembly we recommend that before you commence each step of the assembly that you identify all the parts required to complete that step.
- We recommend that where possible you allow sufficient space to assemble the item as close as possible to the place where it will be once assembled.
- For the protection of your furniture we recommend that the product is placed on protected surfaces during assembly to prevent any damage.
- During assembly do not over tighten ,as this may damage the product.
- Please ensure you retain all the product packaging until the item completely assembled.
- Please periodically check all fittings and re-tighten as necessary.
- Never allow any liquids to remain on your furniture as absorption can cause the wood to warp or the finish to de-laminate.
- It is recommended that this item should be assembled by two adults.

ASSEMBLY INSTRUCTIONS

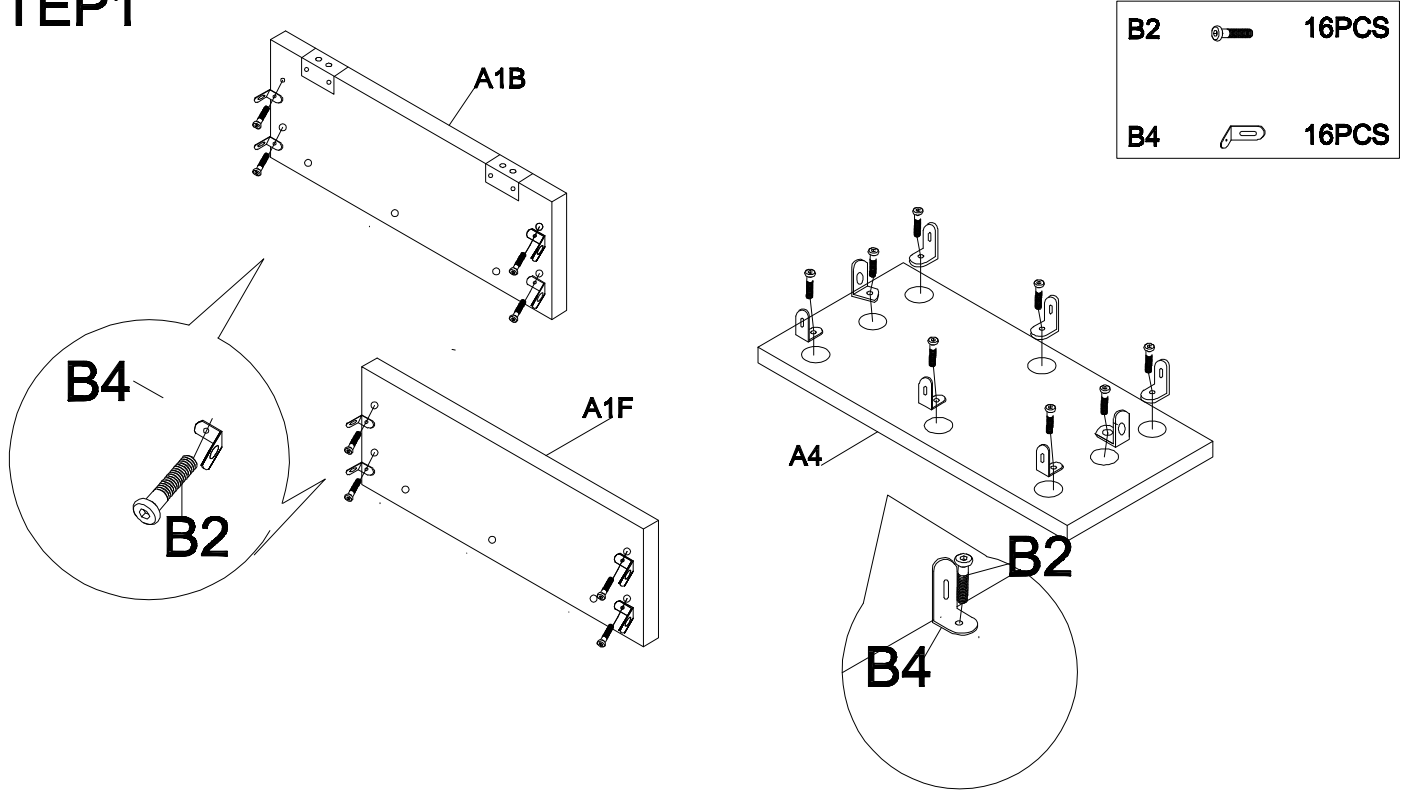
PARTS LIST:

<p>A1F & A1B 2pcs</p> <div style="text-align: center; margin: 10px 0;">  </div> <p style="text-align: center;">Front and Back Panel</p>	<p>A2L & A2R 2pcs</p> <div style="text-align: center; margin: 10px 0;">  </div> <p style="text-align: center;">Right and Left Side Panel</p>
<p>A3 1pc</p> <div style="text-align: center; margin: 10px 0;">  </div> <p style="text-align: center;">Lid</p>	<p>A4 1pc</p> <div style="text-align: center; margin: 10px 0;">  </div> <p style="text-align: center;">Bottom Panel</p>

HARDWARE LIST:

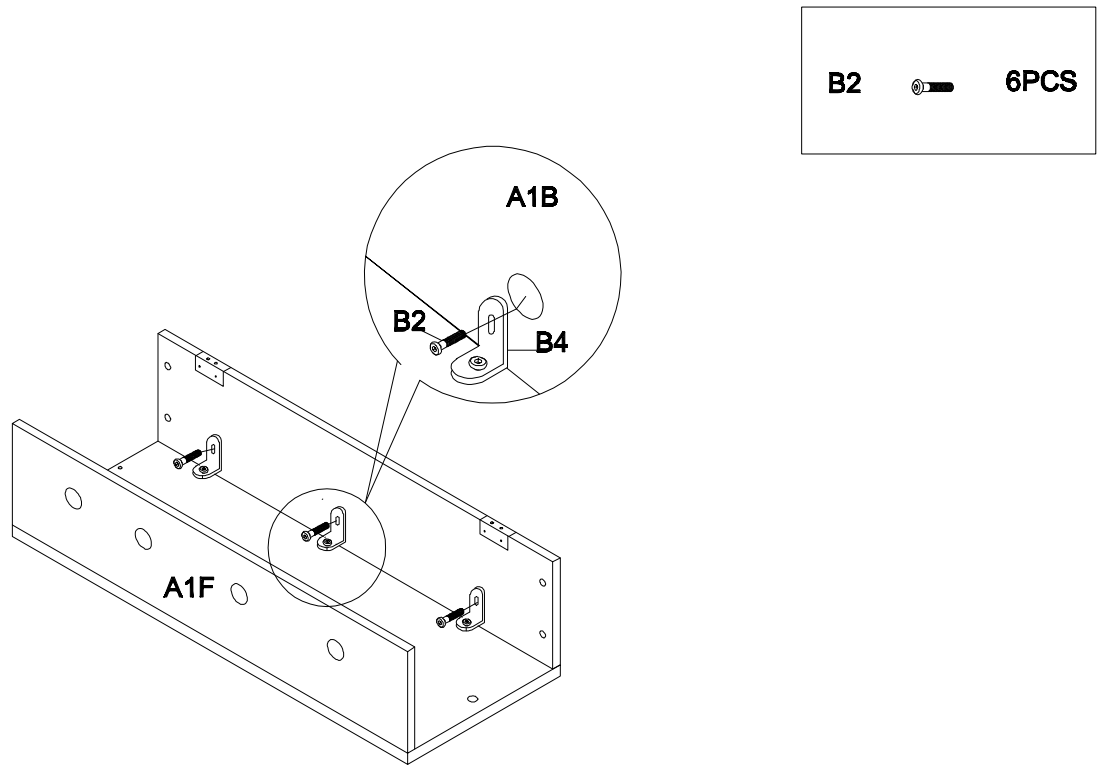
<p>B1 28pcs</p> <div style="text-align: center; margin: 10px 0;">  </div> <p style="text-align: center;">Screw</p>	<p>B2 32pcs</p> <div style="text-align: center; margin: 10px 0;">  </div> <p style="text-align: center;">Bolt</p>	<p>B4 16pcs</p> <div style="text-align: center; margin: 10px 0;">  </div> <p style="text-align: center;">Bracket</p>
<p>B5 2pcs</p> <div style="text-align: center; margin: 10px 0;">  </div> <p style="text-align: center;">Safe Hinge</p>	<p>B6 4pcs</p> <div style="text-align: center; margin: 10px 0;">  </div> <p style="text-align: center;">Leg</p>	<p>1pc</p> <div style="text-align: center; margin: 10px 0;">  </div> <p style="text-align: center;">Allen Key</p>
<p>2sets</p> <div style="text-align: center; margin: 10px 0;">  </div> <p style="text-align: center;">Hinge with screws (already attached to the A1)</p>		

STEP1

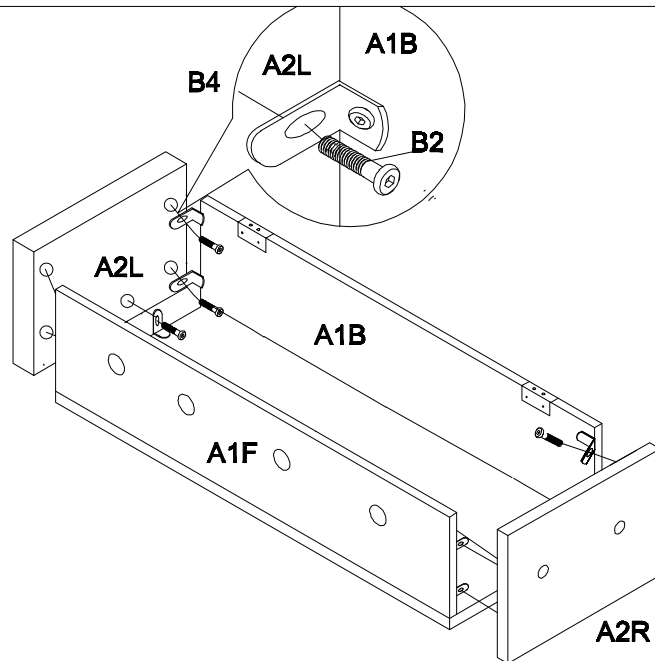


Attach Brackets B4 to Front Panel A1F,Back Panel A1B,Bottom Panel A4 using Bolts B2.(Please do not tighten Bolts B2 until Step 3.)

STEP2

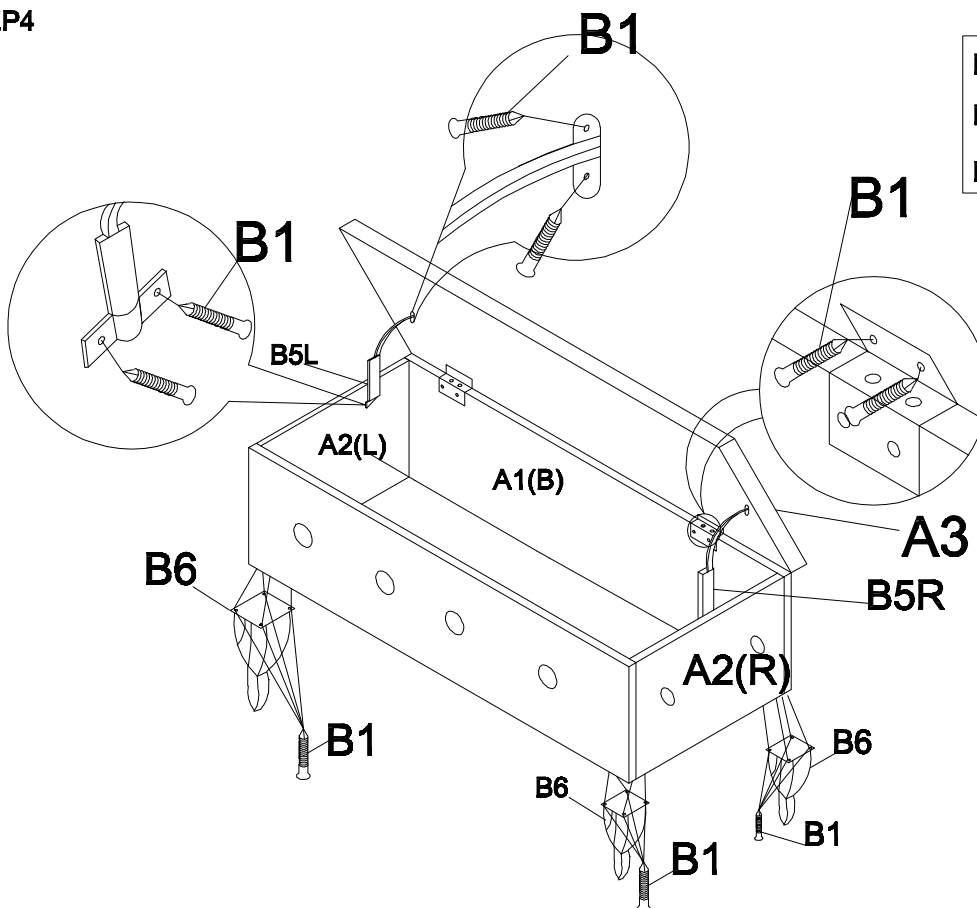





Assemble Front Panel A1F & Back Panel A1B to Bottom Panel A4 using Bolts B2.
Note:Do not tighten Bolts B2 until Step 3.

STEP3

B2		10PCS
-----------	---	--------------

Assemble Side Panels A2L&A2R to Front Panel A1F and Back Panel A1B, Bottom Panel A4 using Bolts B2. Then tighten all bolts at this point.

STEP4

B1		28PCS
B5		2PCS
B4		4PCS

- 1). Attach Lid A3 to Back Panel A1B with hinges by using Screws B1. Then attach Safe Hinges B5(L&R) to Side Panels A2(L&R) and the back of Lid A3 using Screws B1. (when attaching the safe hinges B5, hold the lid A3 in the upright open position).
- 2). Attach Legs B6 to Bottom Panel A4 using Screws B1.