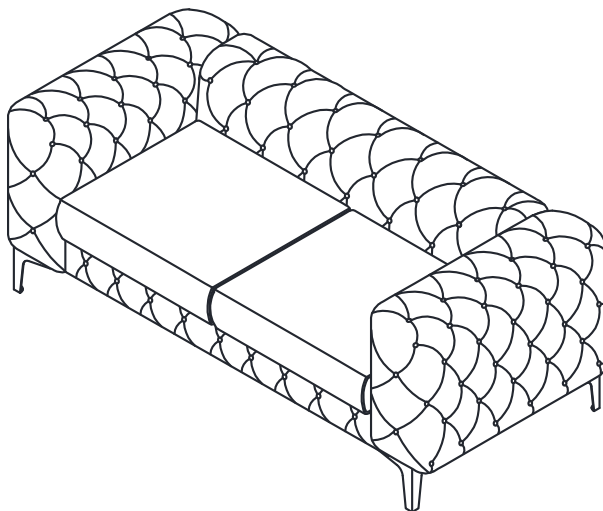
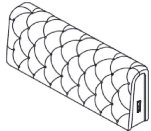
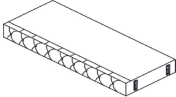

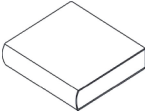
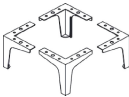
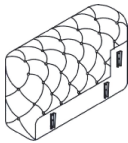
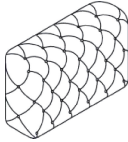


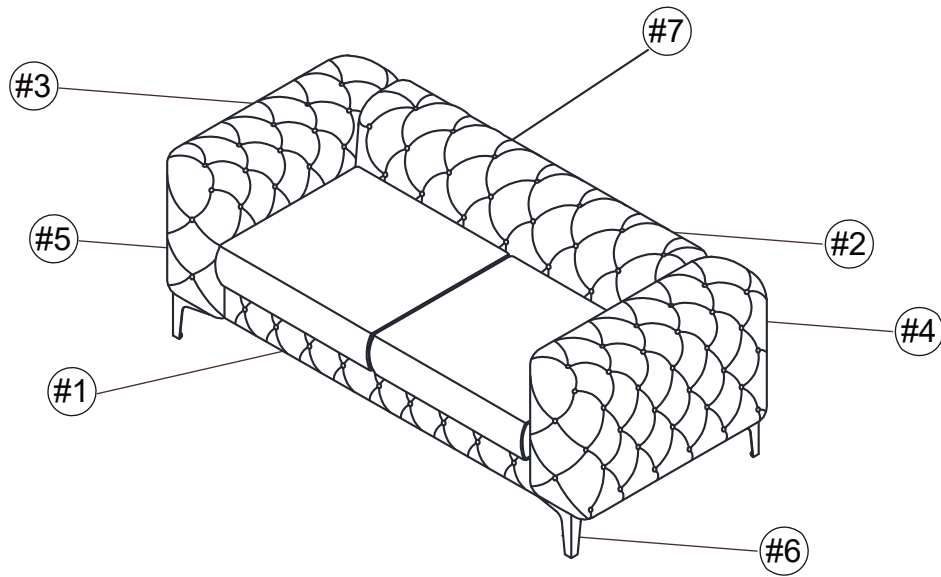
## RN-200-LOVESEAT



LOVESEAT is packed in 3 cases

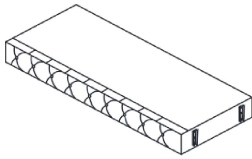
Carton	Disignation	Part	Hardware
L1	Backrest	#2 	
L2	Seat frame	#1 	
	Seat cushion	#5 	
	Leg	#6 	
ARM	Left arm	#3 	
	Right arm	#4 	

# ASSEMBLY INSTRUCTIONS



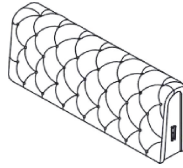
## PARTS

#1 1pc



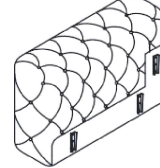
SEAT FRAME

#2 1pc



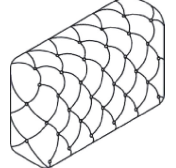
BACKREST

#3 1pc



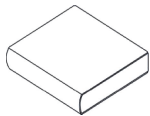
LEFT ARM

#4 1pc



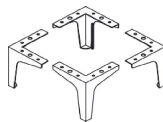
RIGHT ARM

#5 2pcs



SEAT CUSHION

#6 4pcs



LEG

## HARDWARE

#A 8 pcs



BOLT 1-1/4" L

#B 1 pc



ALLEN KEY 4mm L

#C 8 pcs



FLAT WASHER 16mm

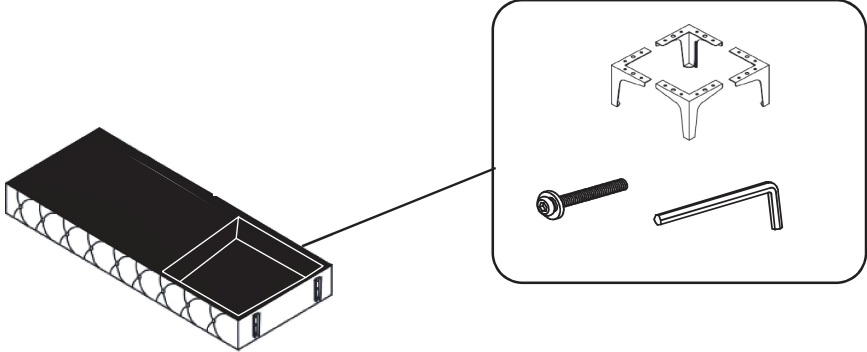
#D 8 pcs



SPRING WASHER

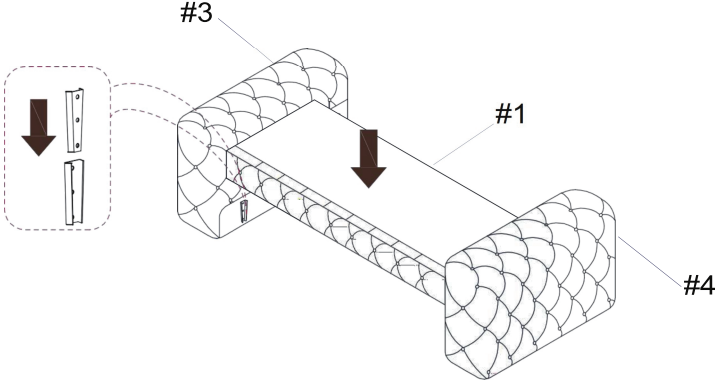
# ASSEMBLY INSTRUCTIONS

1



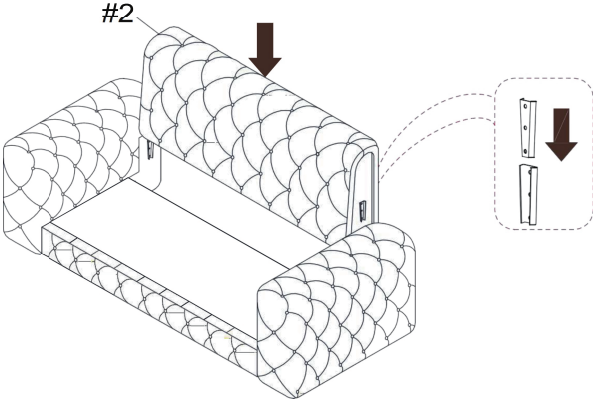
2

- Part #1 x1pc
- Part #3 x1pc
- Part #4 x1pc



3

- Part #2 x1pc



# ASSEMBLY INSTRUCTIONS

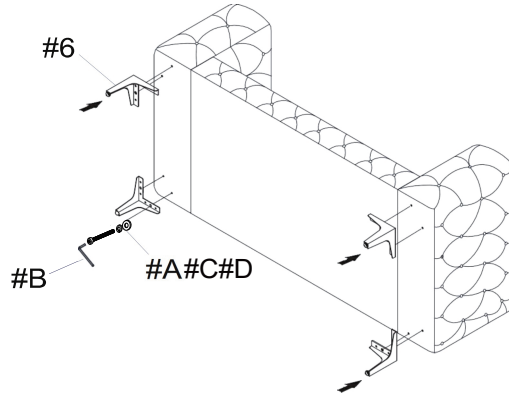
## 4

Part #6 x4pcs

HARDWARE #A 8pcs

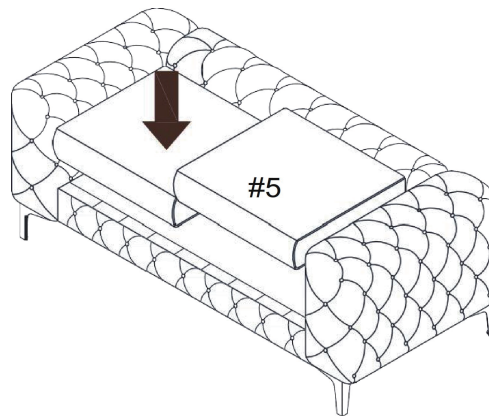
#C 8pcs

#D 8pcs

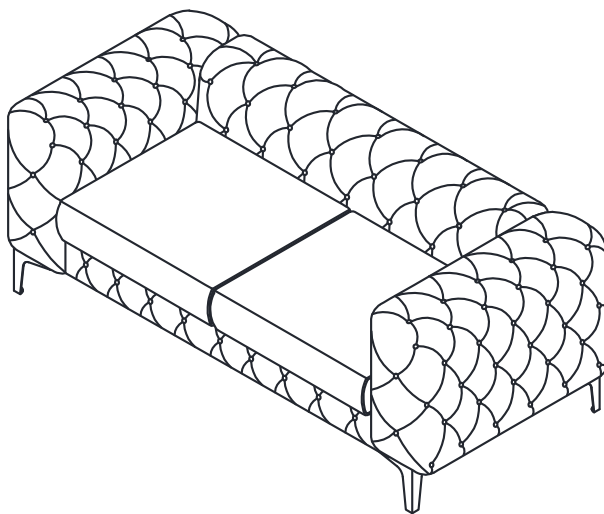


## 5

Part #5 x2pcs



## 6



### ASSEMBLY COMPLETED



Please ensure the furniture rests on an even and flat surface. If the product wobbles or feels loose, double-check all bolts and/or screws are properly tightened and secured.

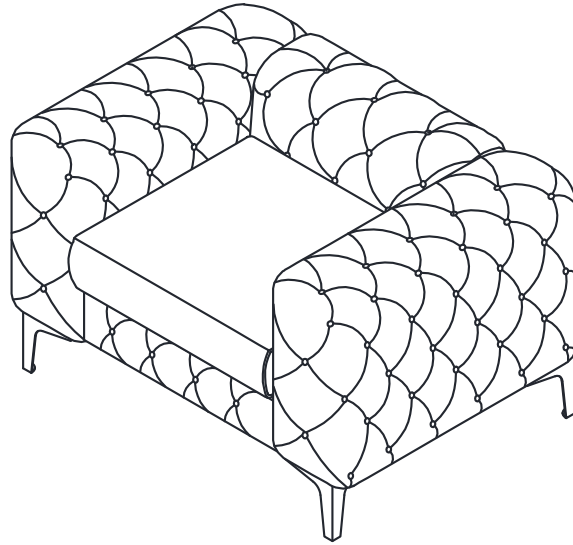
#### ✓ Keep this handy!

Please retain this instruction manual and any order-related information for future reference.


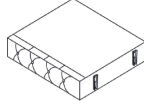
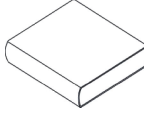
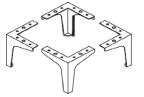
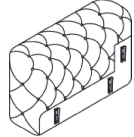
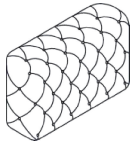
#### ✓ Lift, don't drag!

To avoid damage to product please always LIFT the product when transporting or adjusting the placement.

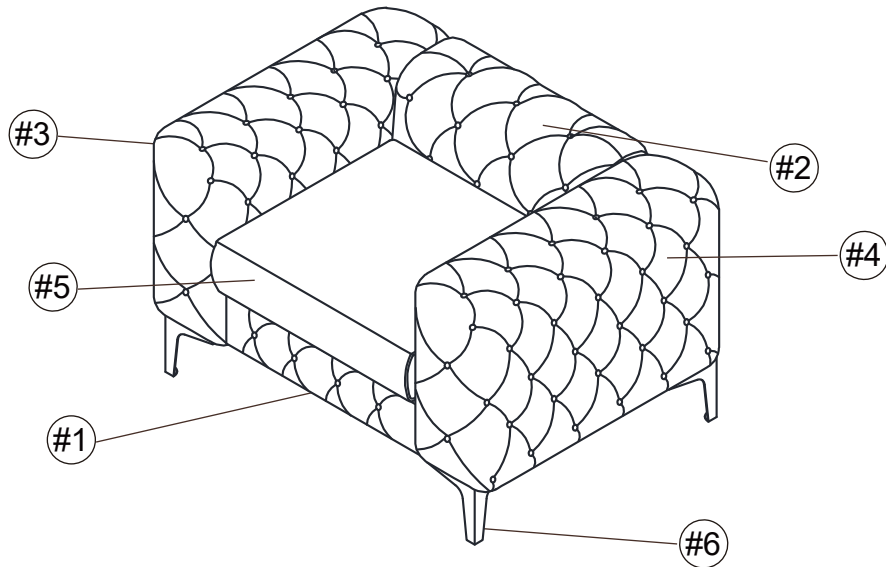
## RN-200-CHAIR



CHAIR is packed in 3 cases

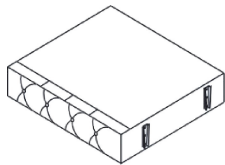
Carton	Disignation	Part	Hardware
C1	Backrest	#2 	
C2	Seat frame	#1 	#A #B #C #D
	Seat cushion	#5 	
	Leg	#6 	
ARM	Left arm	#3 	
	Right arm	#4 	

# ASSEMBLY INSTRUCTIONS



## PARTS

#1 1pc



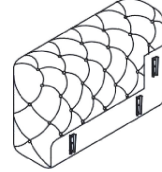
SEAT FRAME

#2 1pc



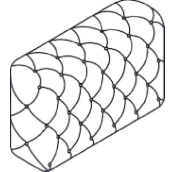
BACKREST

#3 1pc



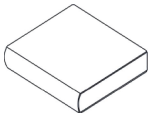
LEFT ARM

#4 1pc



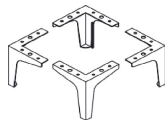
RIGHT ARM

#5 1pc



SEAT CUSHION

#6 4pcs



LEG

## HARDWARE

#A 8 pcs



BOLT 1 -1/4" L

#B 1 pc



ALLEN KEY 4mm L

#C 8 pcs



FLAT WASHER 16mm

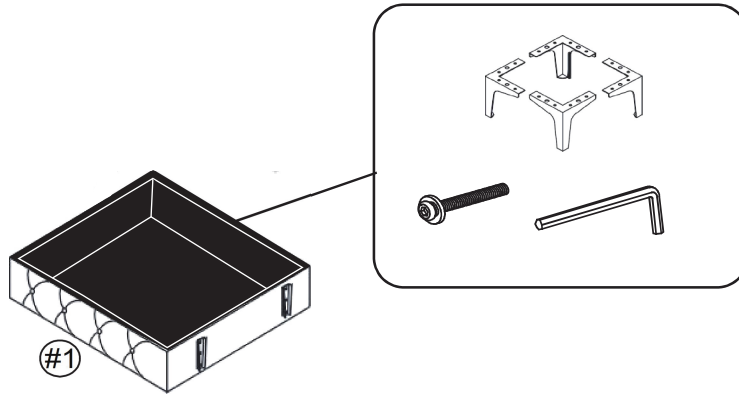
#D 8 pcs



SPRING WASHER

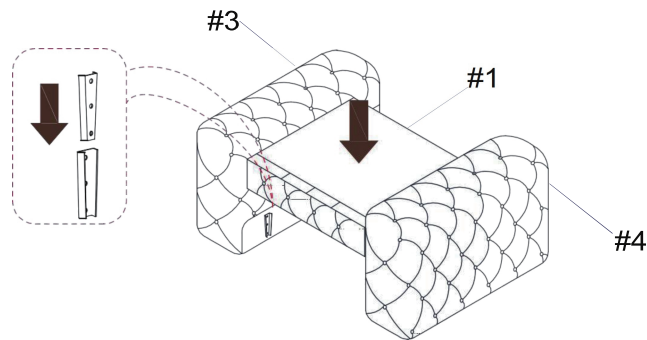
# ASSEMBLY INSTRUCTIONS

1



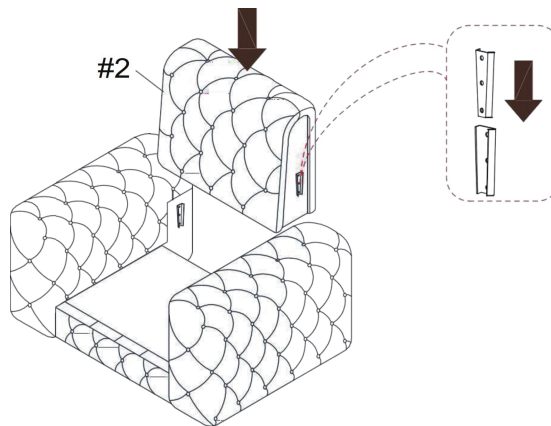
2

- Part #1 x1pc
- Part #3 x1pc
- Part #4 x1pc



3

- Part #2 x1pc



# ASSEMBLY INSTRUCTIONS

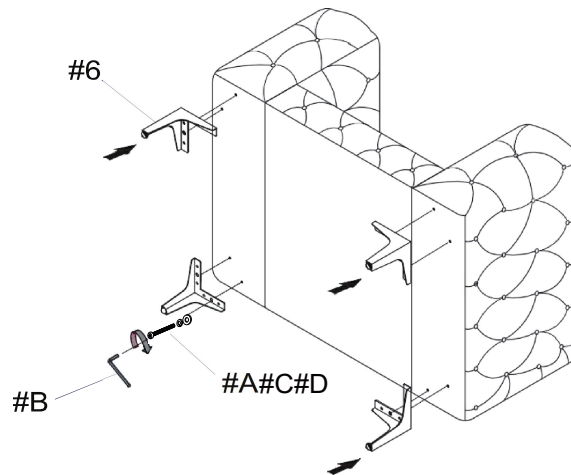
4

Part #6 x 4 pcs

HARDWARE #A 8 pcs

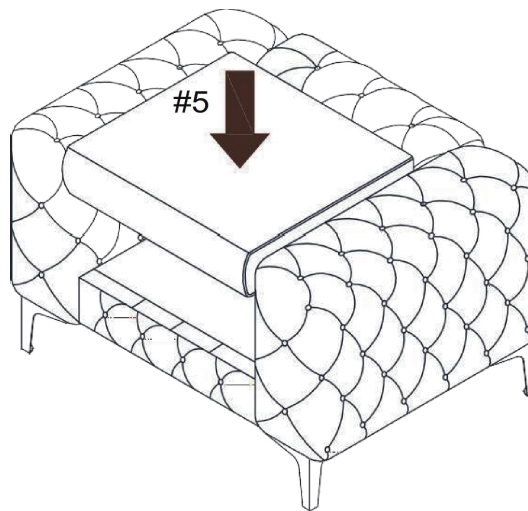
#C 8 pcs

#D 8 pcs



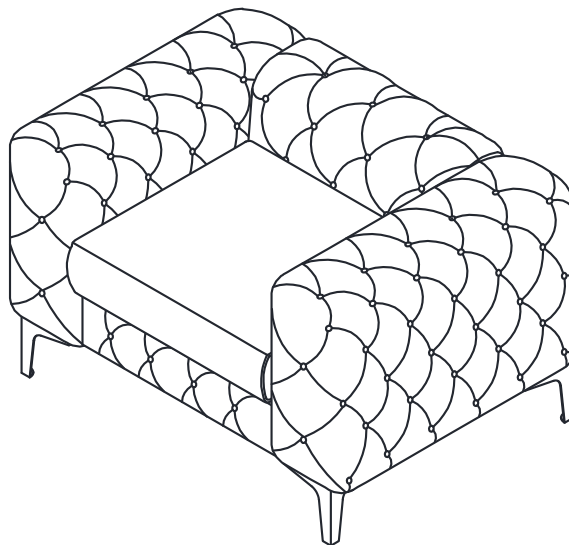
5

Part #5 x 1 pc



6

Part #7 x 1 pc



## ASSEMBLY COMPLETED



Please ensure the furniture rests on an even and flat surface. If the product wobbles or feels loose, double-check all bolts and/or screws are properly tightened and secured.

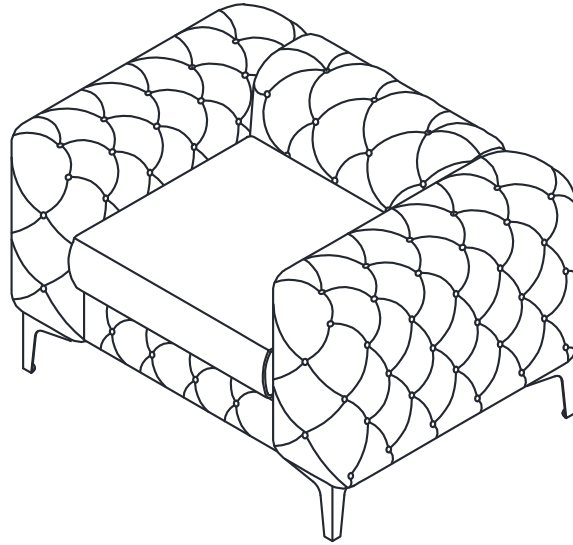
✔ **Keep this handy!**

Please retain this instruction manual and any order-related information for future reference.


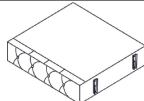
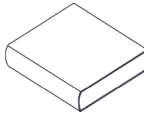
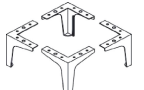
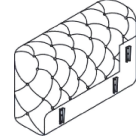

✔ **Lift, don't drag!**

To avoid damage to product please always LIFT the product when transporting or adjusting the placement.

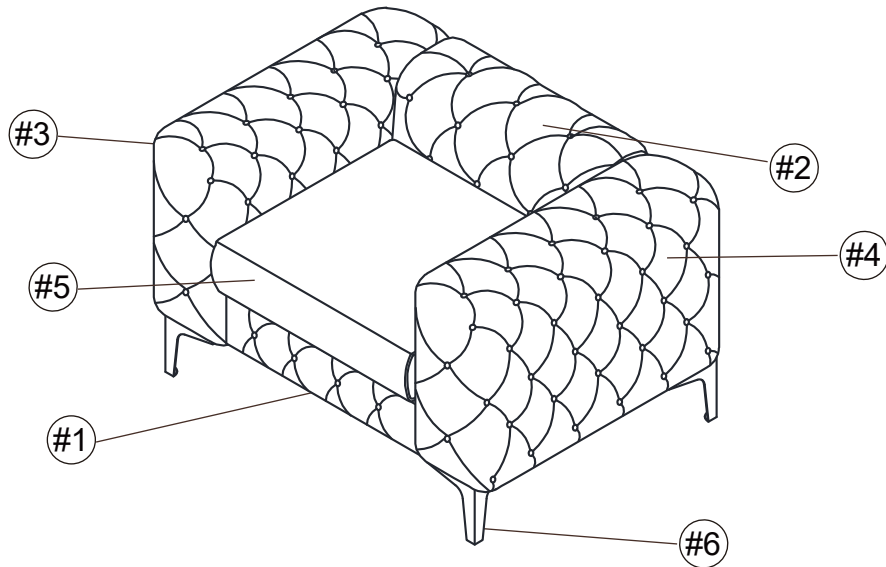
## RN-200-CHAIR



CHAIR is packed in 3 cases

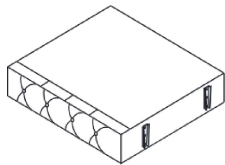
Carton	Disignation	Part	Hardware
C1	Backrest	#2 	
C2	Seat frame	#1 	#A #B #C #D
	Seat cushion	#5 	
	Leg	#6 	
ARM	Left arm	#3 	
	Right arm	#4 	

# ASSEMBLY INSTRUCTIONS



## PARTS

#1 1pc



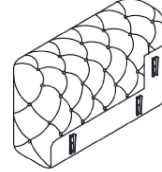
SEAT FRAME

#2 1pc



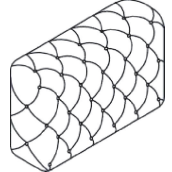
BACKREST

#3 1pc



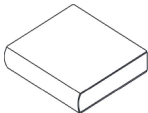
LEFT ARM

#4 1pc



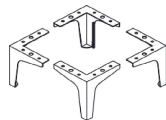
RIGHT ARM

#5 1pc



SEAT CUSHION

#6 4pcs



LEG

## HARDWARE

#A 8 pcs



BOLT 1 -1/4" L

#B 1 pc



ALLEN KEY 4mm L

#C 8 pcs



FLAT WASHER 16mm

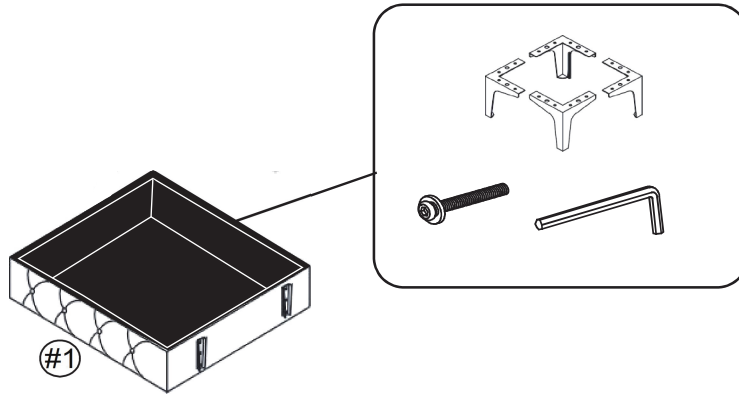
#D 8 pcs



SPRING WASHER

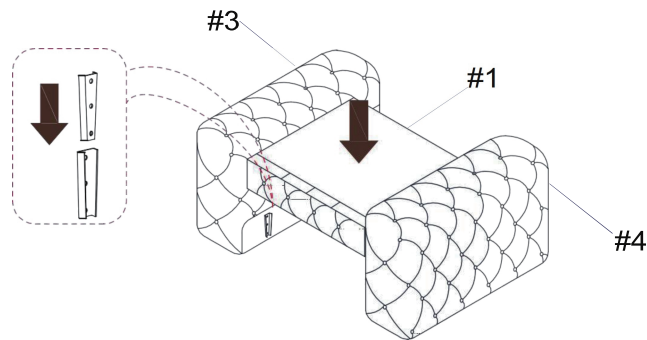
# ASSEMBLY INSTRUCTIONS

1



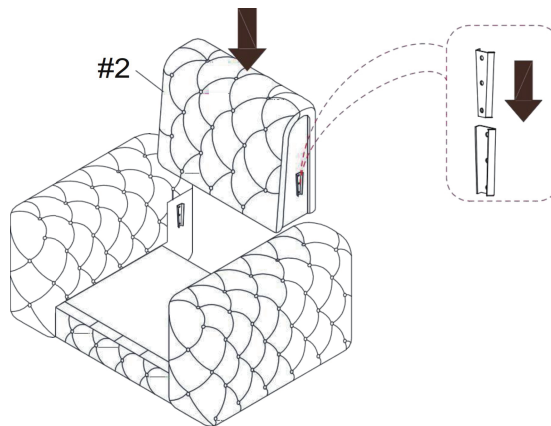
2

- Part #1 x1pc
- Part #3 x1pc
- Part #4 x1pc



3

- Part #2 x1pc



# ASSEMBLY INSTRUCTIONS

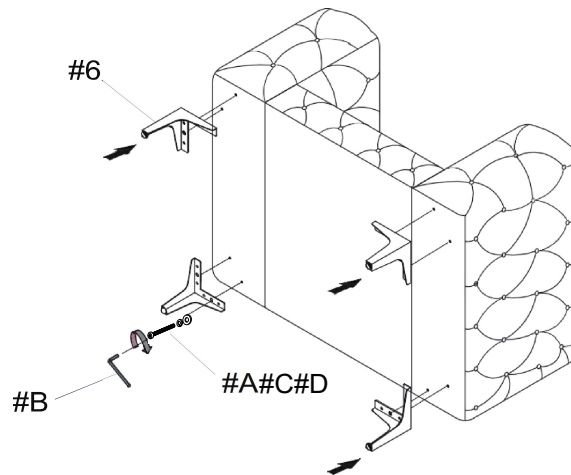
4

Part #6 x 4 pcs

HARDWARE #A 8 pcs

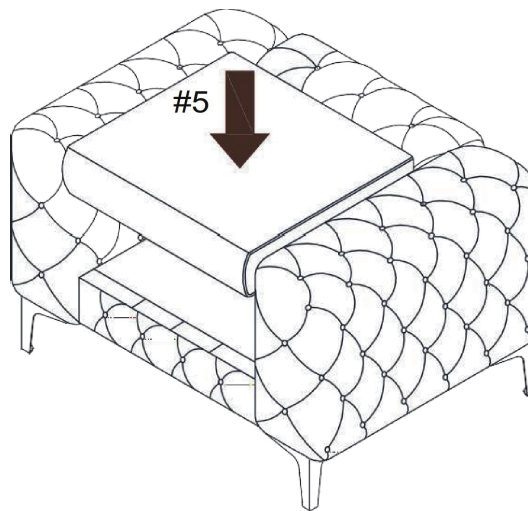
#C 8 pcs

#D 8 pcs



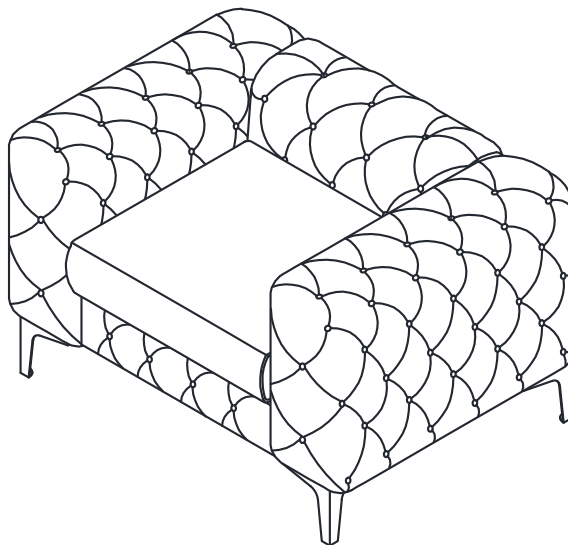
5

Part #5 x 1 pc



6

Part #7 x 1 pc



## ASSEMBLY COMPLETED



Please ensure the furniture rests on an even and flat surface. If the product wobbles or feels loose, double-check all bolts and/or screws are properly tightened and secured.

✔ **Keep this handy!**

Please retain this instruction manual and any order-related information for future reference.

✔ **Lift, don't drag!**

To avoid damage to product please always LIFT the product when transporting or adjusting the placement.