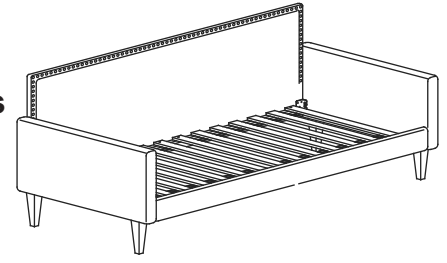


Daybed Assembly Instructions

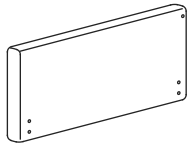
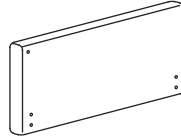
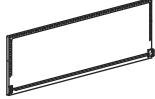
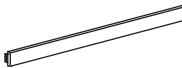
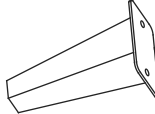
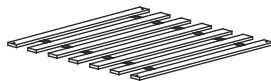
Your daybed comes packaged in one box.

DO NOT use any sharp objects to open plastic wrapped components as damage to product or components may result.

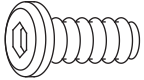
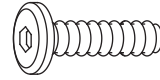
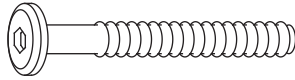


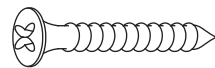

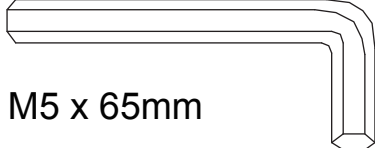

Carefully remove all of the components from the packaging and set aside for assembly. Assemble on a soft surface to prevent scratching the finish.



Part List

- A** 1 x Left Arm  **B** 1 x Right Arm  **C** 1 x Back Panel 
- D** 1 x Front Rail  * **E** 4 x Legs  * **F** 2 x Slats 

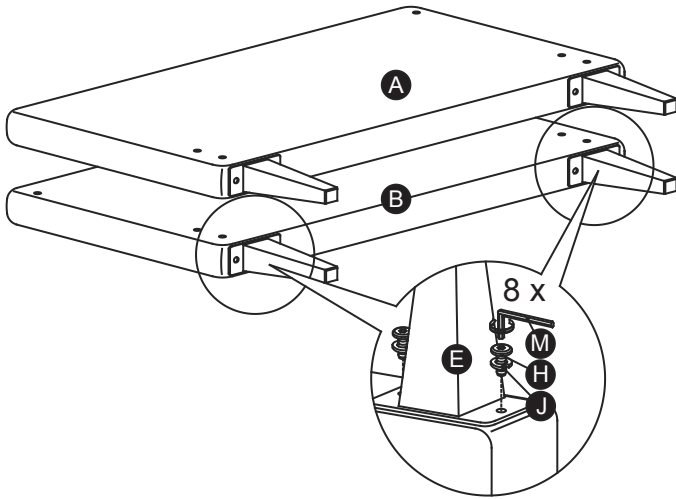
Hardware List

- * **G** 8 x Bolts (S)  M8 x 20mm
- * **H** 8 x Bolts (M)  M6 x 25mm
- * **I** 2 x Bolts (L)  M6 x 50mm
- * **J** 10 x Lock Washers 
- * **K** 2 x Flat Washers 
- * **L** 8 x Screws  M4 x 32mm
- * **M** 1 x Hex Key (S)  M4 x 65mm
- * **N** 1 x Hex Key (L)  M5 x 65mm
- O** 1 x Phillips Screwdriver

(Not Included)

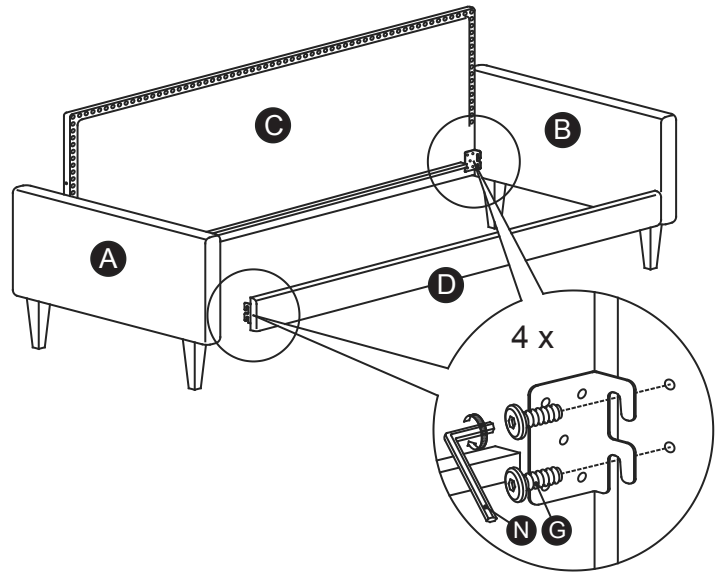
* Replaceable Parts

Assembly

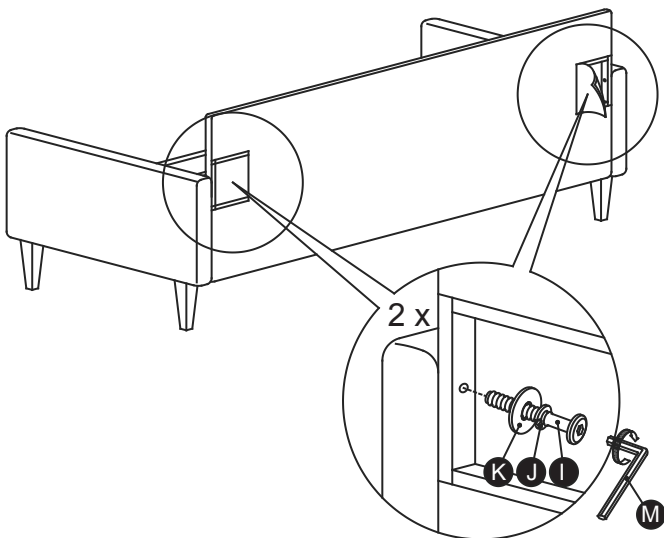
Step 1



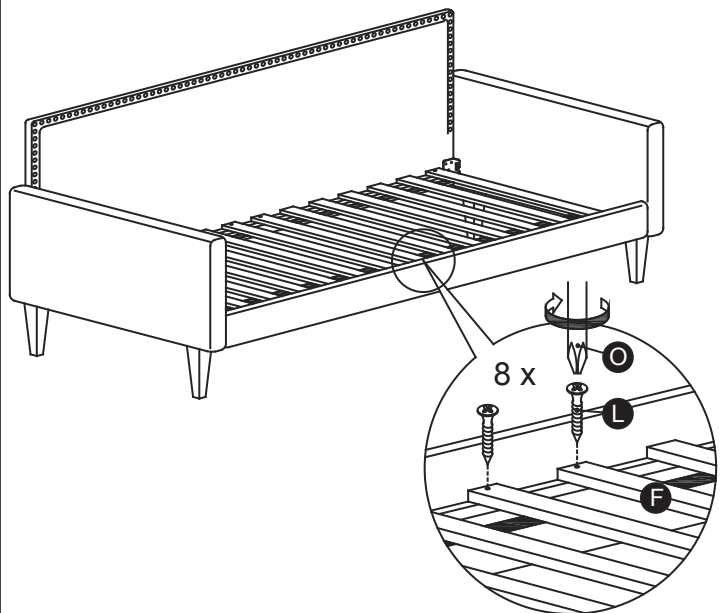
Step 2



Step 3



Step 4



Your daybed may differ from images. Care for your furniture by periodically tightening all legs and periodically tightening all bolts using the included hex key.

About your furniture piece:

- Softening of foam is natural and will happen over time with use.
- Fabric will fade or discolor in direct sunlight. Minimize exposure to direct sunlight to extend the life of your furniture.
- Wood grain, knots, streaks, and color variation occur naturally in wood and are not considered defects.

CAUTION: Tighten all components securely before use. Failure to do so may result in personal injury.