

ASSEMBLY INSTRUCTIONS

- ITEM #: 8000100

Page 01 of 02

HARDWARES



A x 16
M6 x 30mm



B x 16
M6 x 2mm

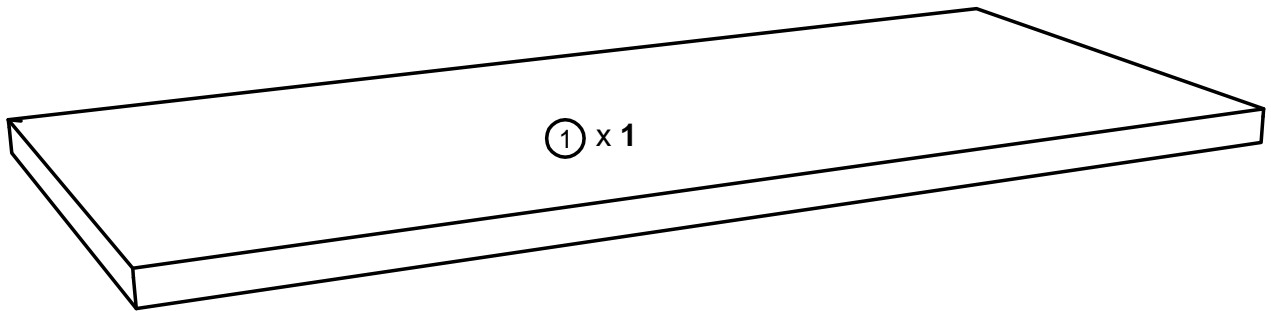


C x 16
Ø8.5 x 20 x 2mm

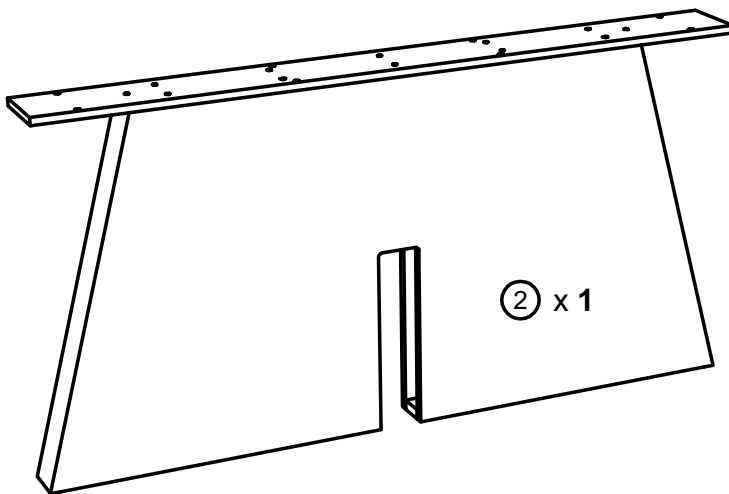


Z x 1
M4 x 30 x 107

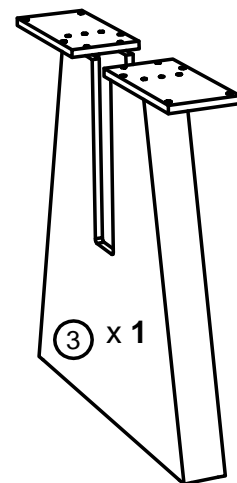
PARTS



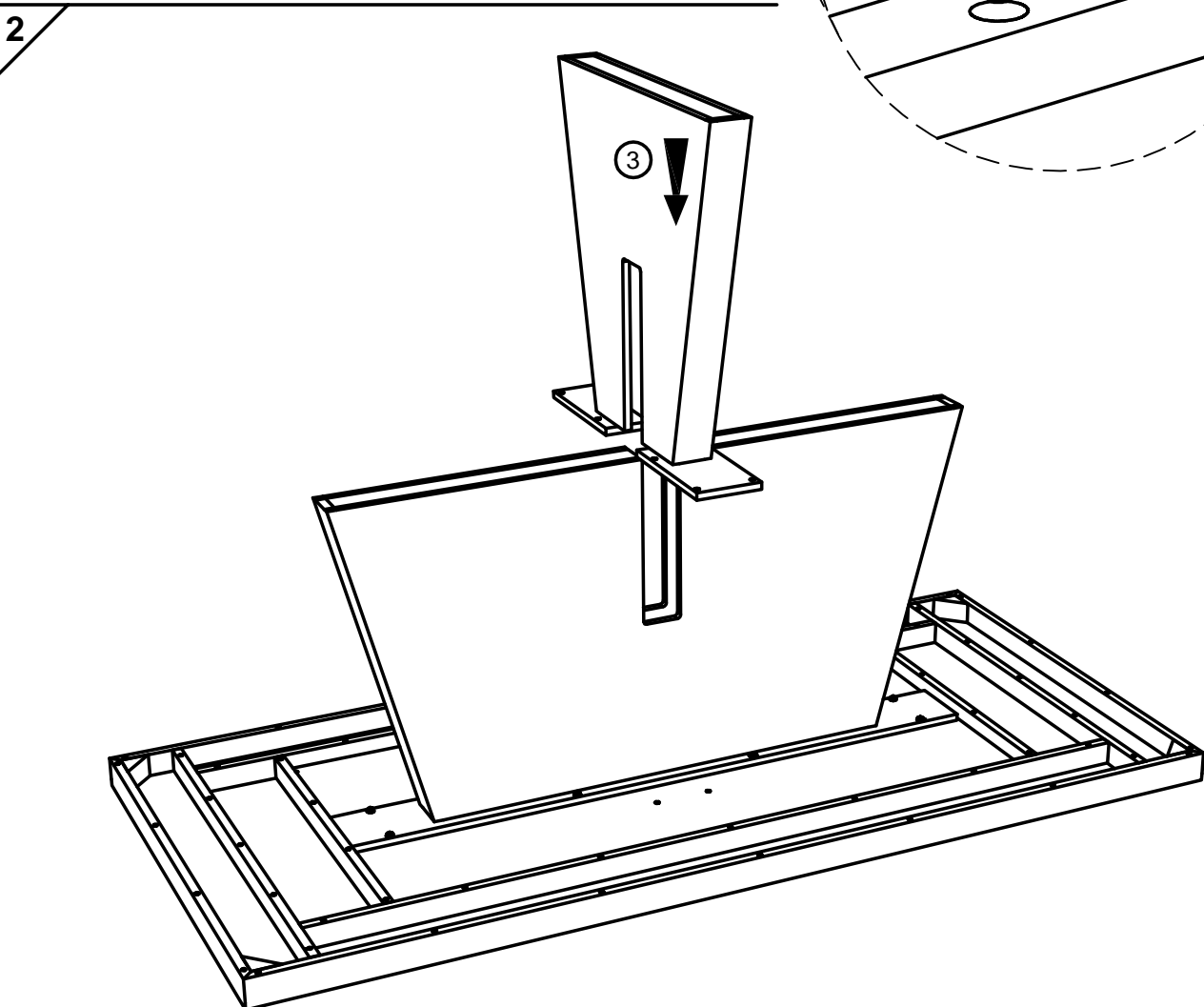
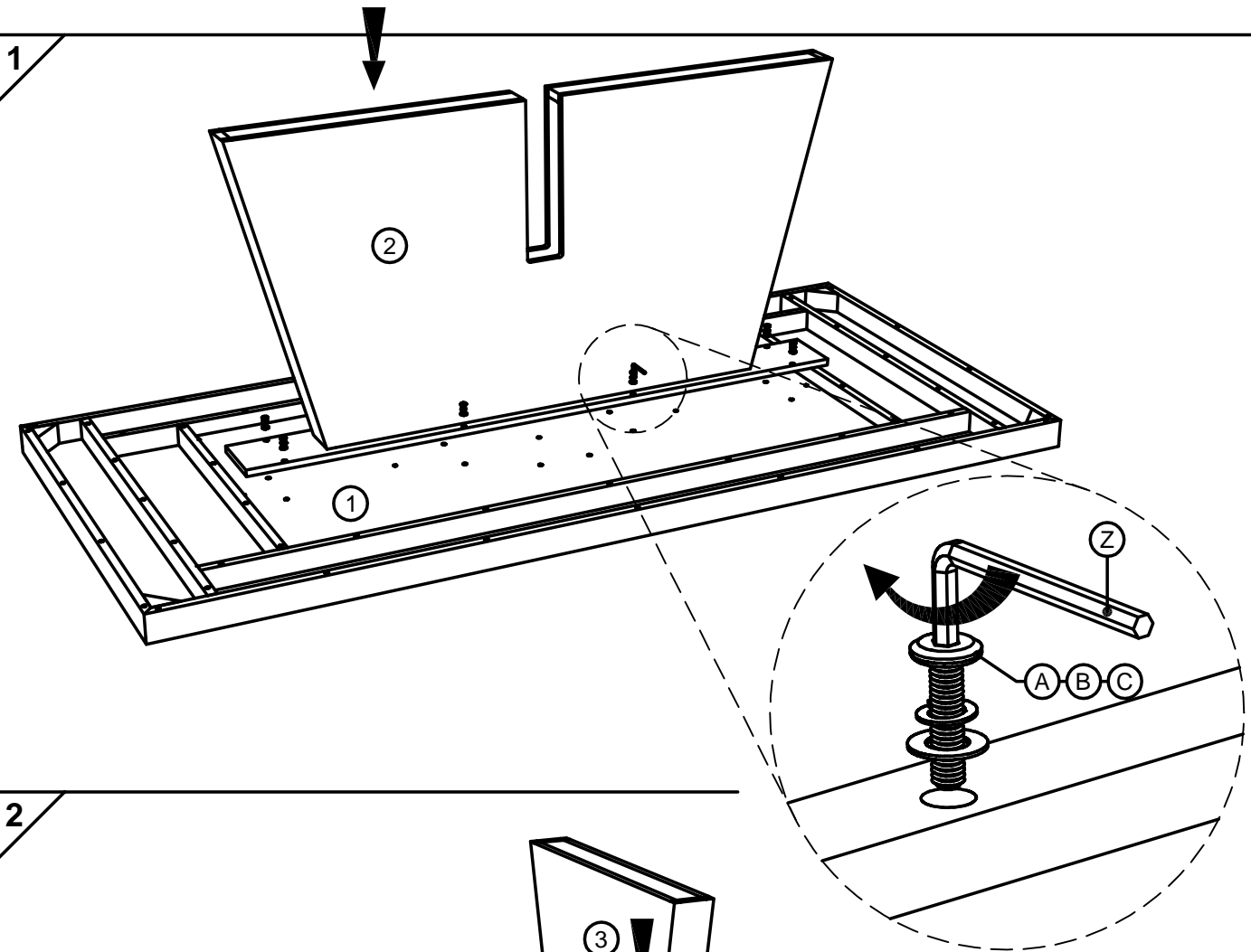
① x 1



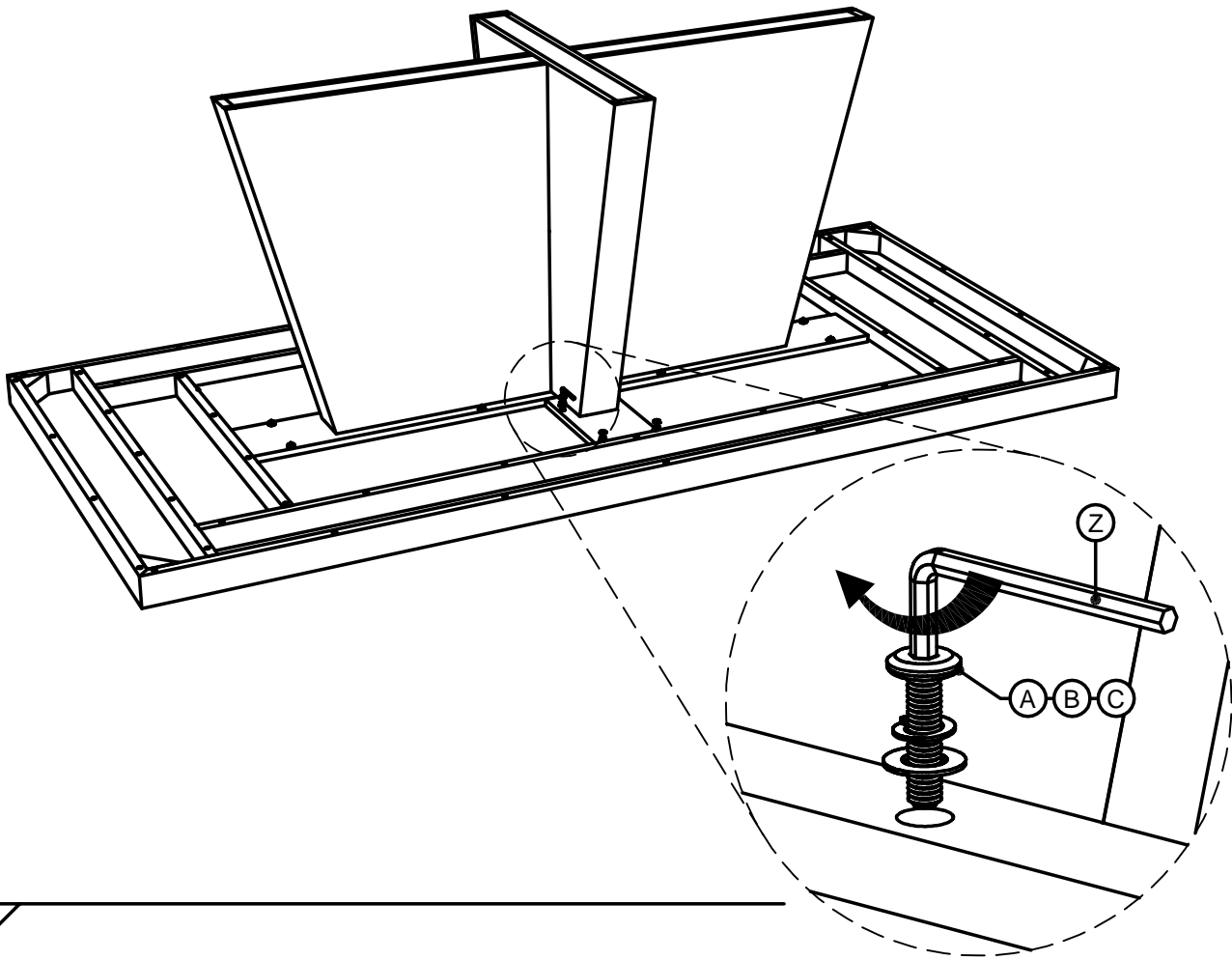
② x 1



③ x 1



3



4

