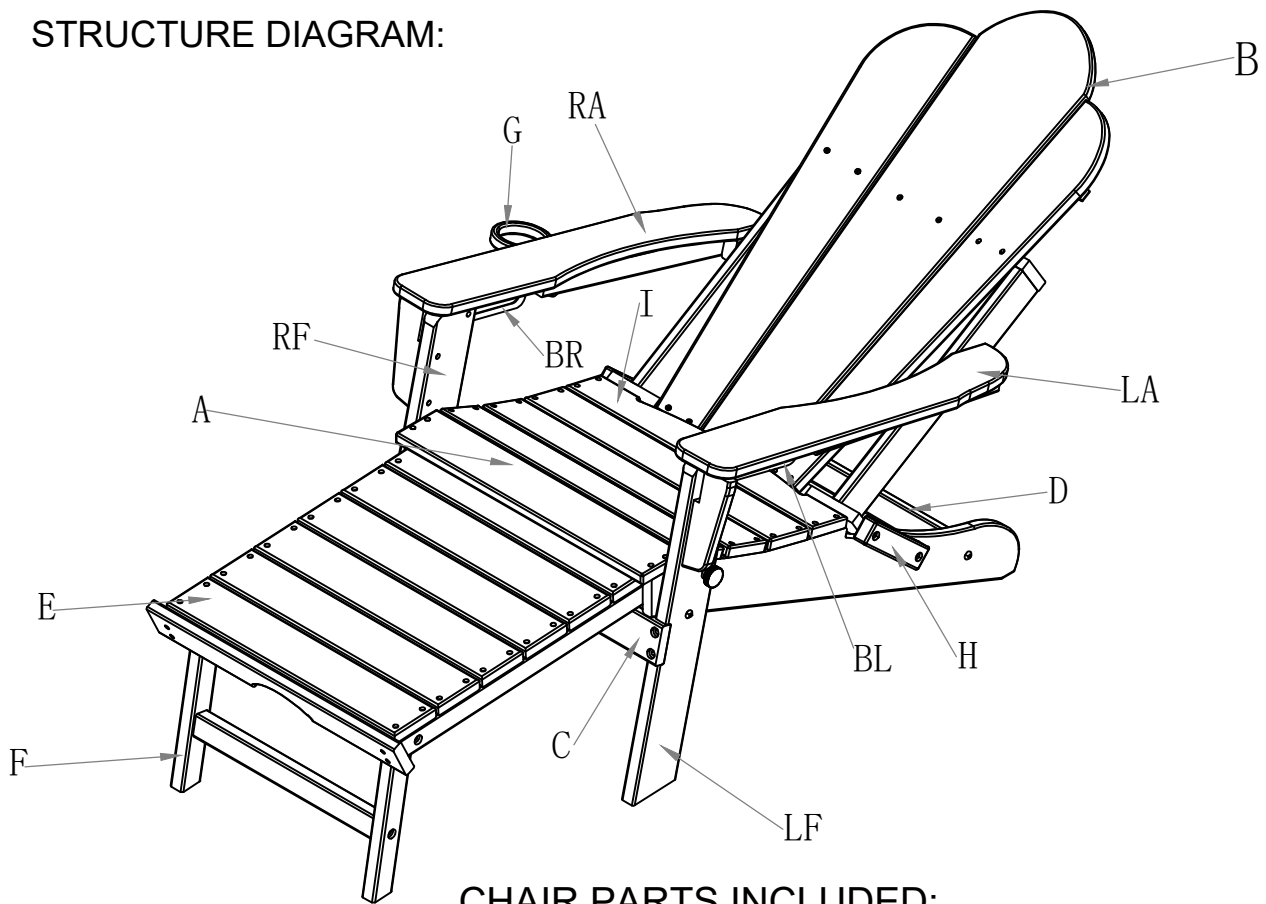


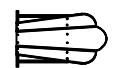




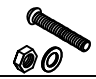










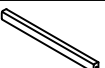









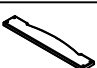


ASSEMBLY INSTRUCTIONS MODEL: PE2501

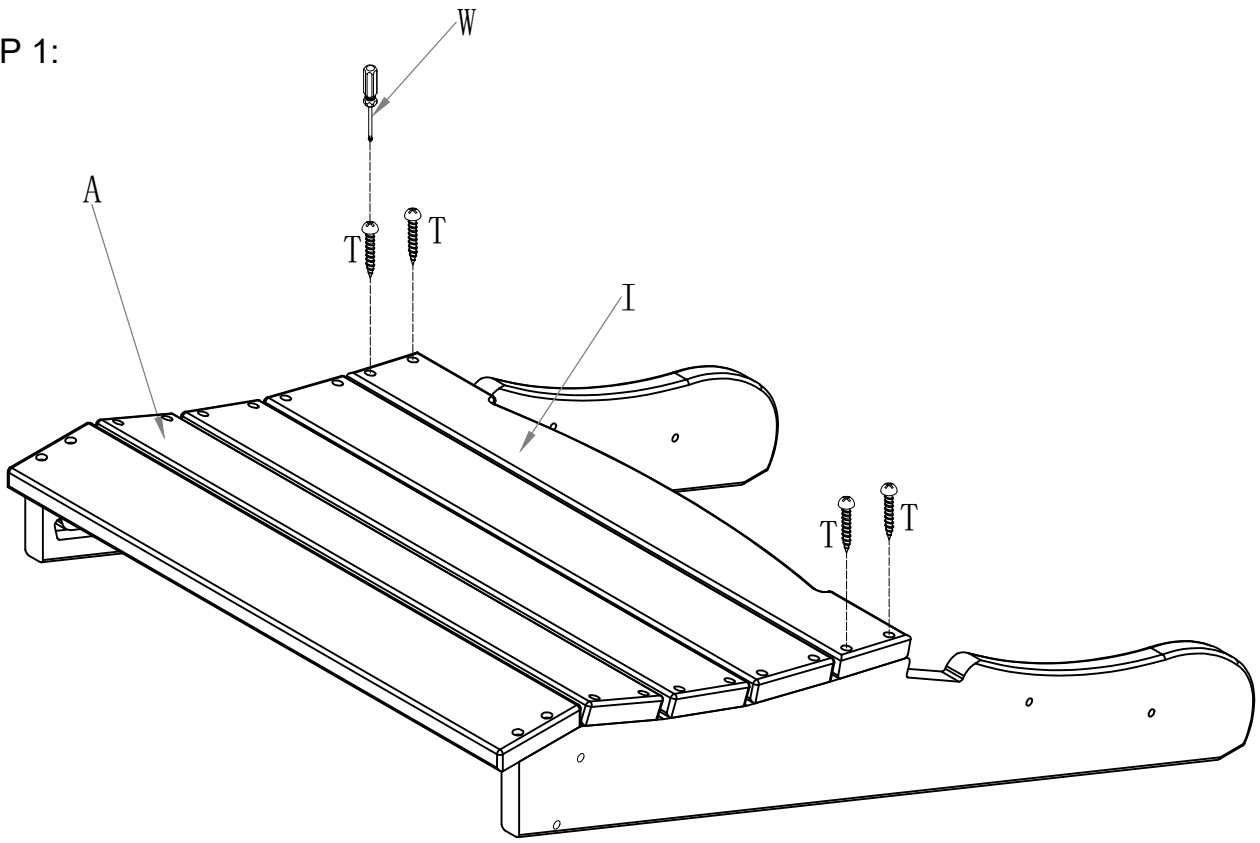
STRUCTURE DIAGRAM:



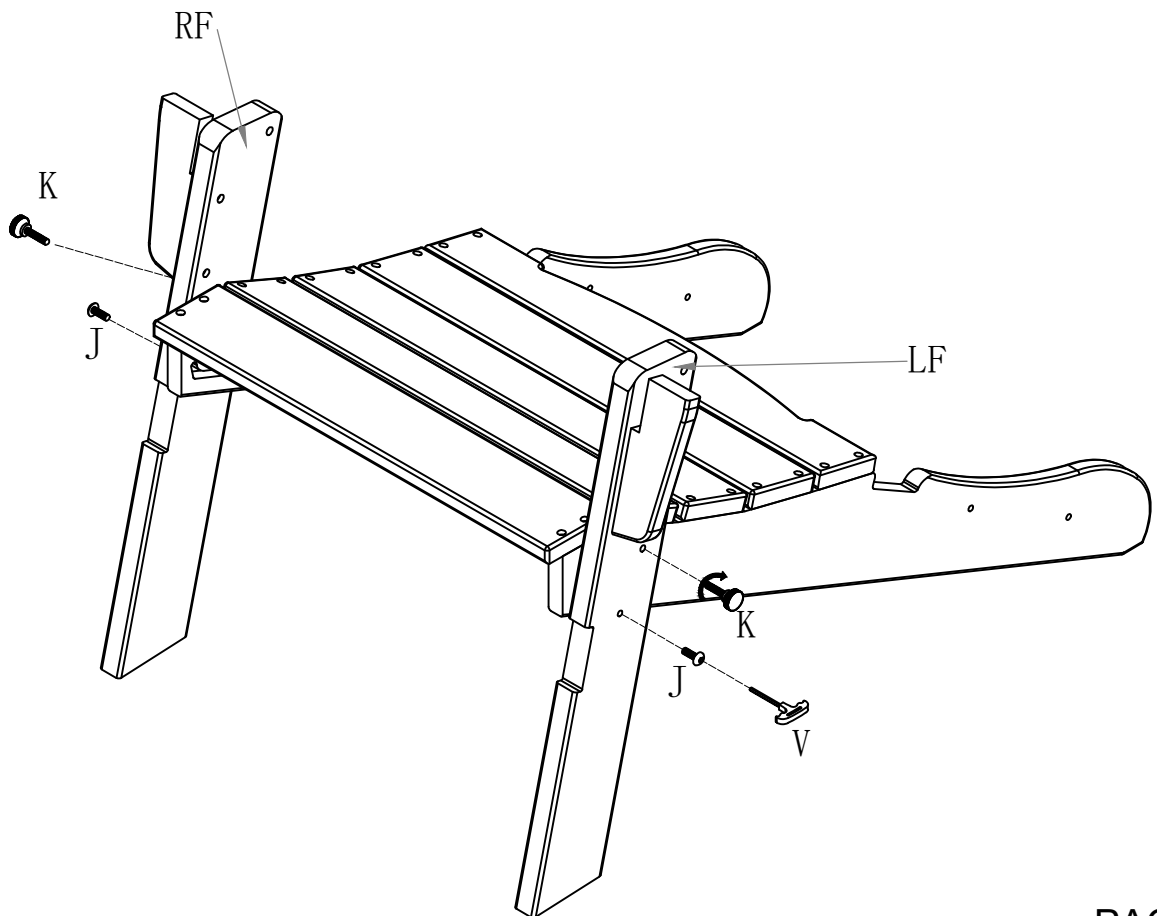
CHAIR PARTS INCLUDED:

	(A) Seat x1 unit		(J) 1.58" Bolt x2 units
	(B) Backrest x1 unit		(K) 1.38" Torx handle x2 units
	(LA) Left armrest x 1 unit		(L) 1.18" Screw x 4 units
	(RA) Right armrest x 1 unit		(M) 1.97" Bolt x4 units
	(BL) Left adjustment buckle x 1 unit		(N) 1.38" Bolt x2 units
	(BR) Right adjustment buckle x 1 unit		(O) 0.59" Bolt x6 units
	(LF) Left foot x 1 unit		(P) 1.18" Bolt x1 unit
	(RF) Front foot x 1 unit		(Q) 0.79" Handle screws x2 units
	(C) Front Leg brace x 1 unit		(R) 1.97" Screw x 4 units
	(D) Rear brace x1 unit		(S) 3.15" Bolt x2 units
	(E) Foot pedal x1 unit		(T) 1.18" Bolt x4 units
	(F) Footstep x1 unit		(U) Nut Wrench x 1 unit
	(G) Drink holder x1 unit		(V) T-Wrench x 1 unit
	(H) Rotating plate x2 units		(W) L-Wrench x 1 unit
	(I) Rotating plate x1 unit		

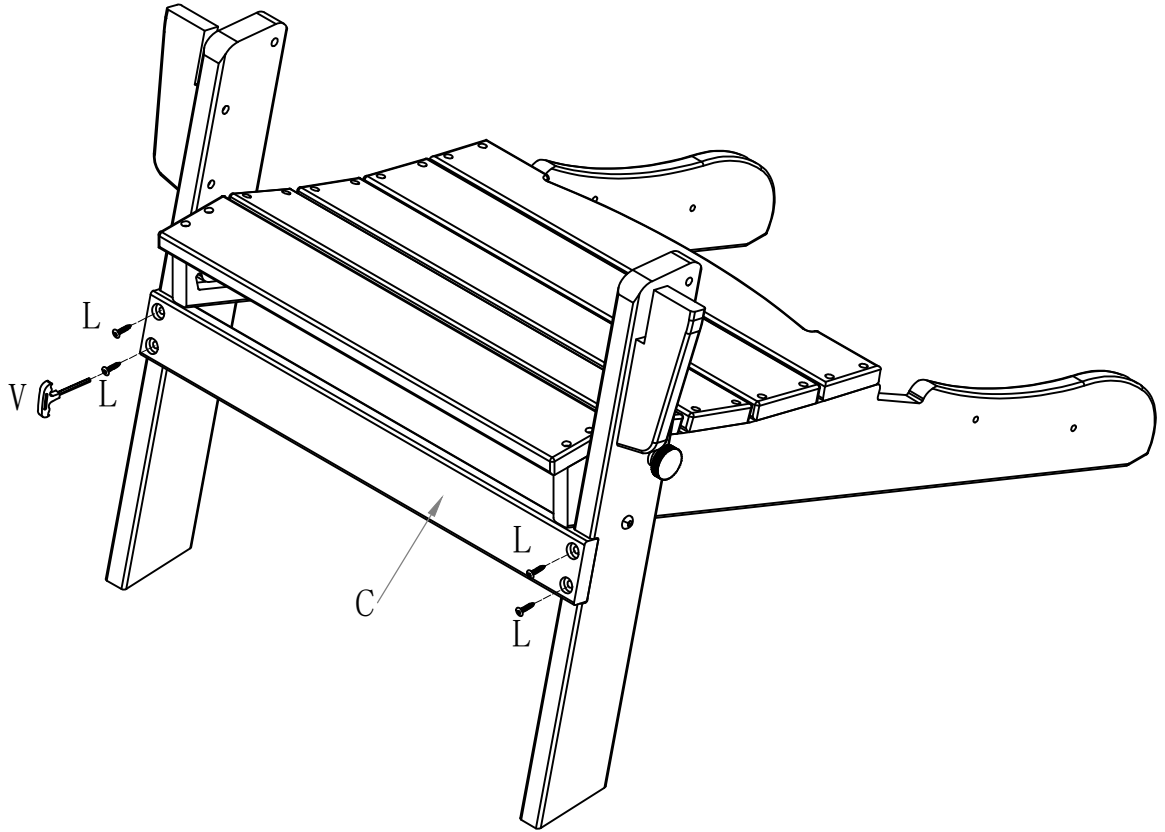
STEP 1:



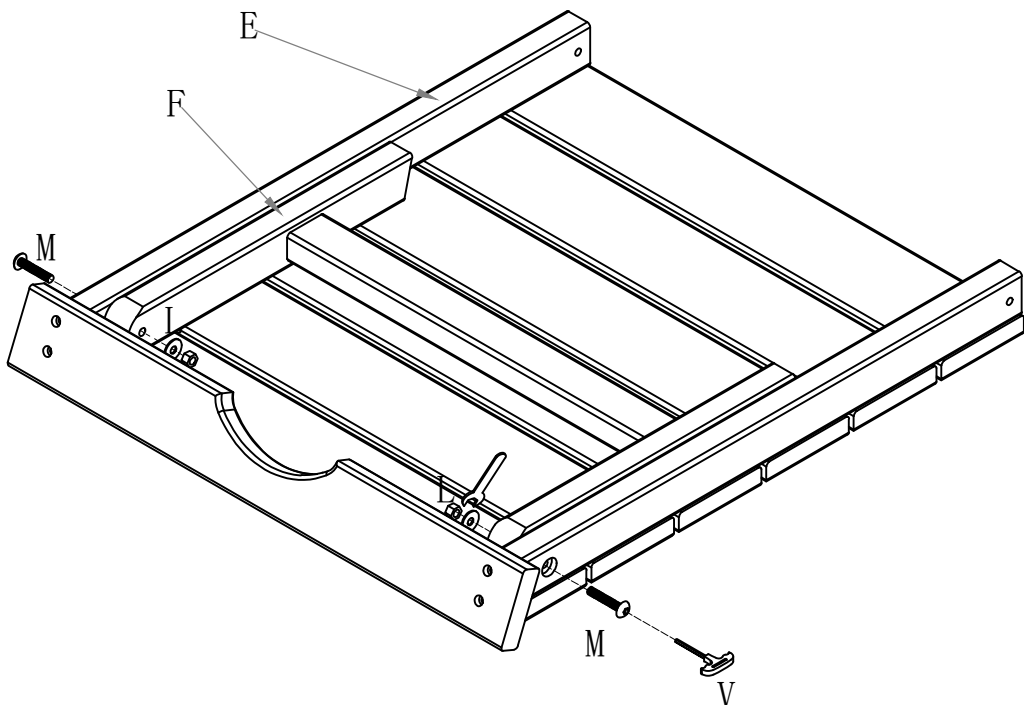
STEP 2:



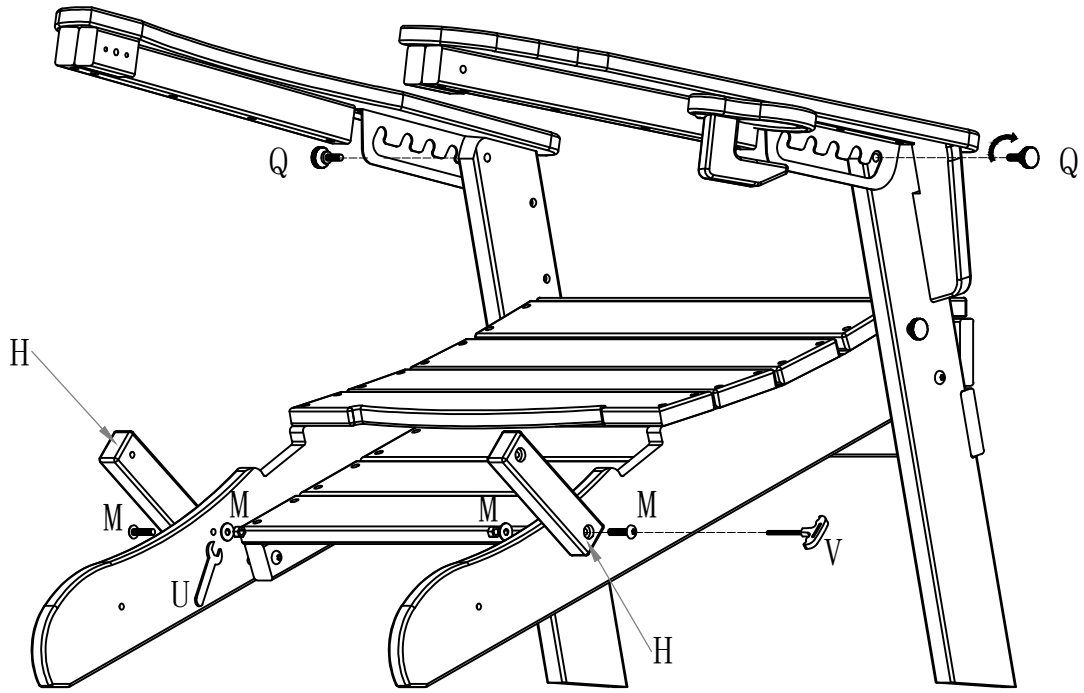
STEP 3:



STEP 4:



STEP 7:



STEP 8:

