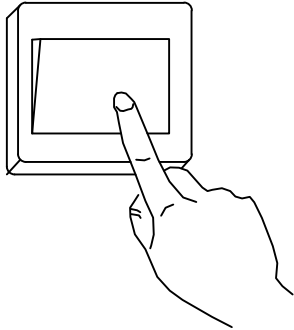


Installation Instruction

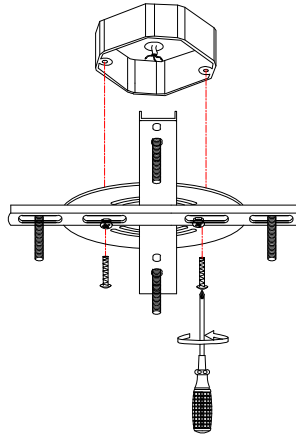
D23.6"H95" LED

1



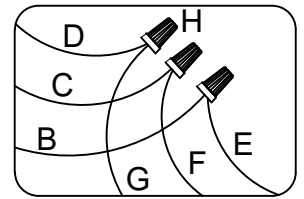
Turn off the power.

2



Install mounting bracket

3

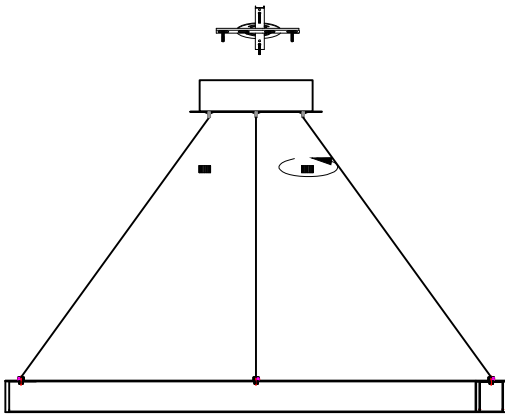


Wire connection

- B.Black wire (L) from junction box
- C.White wire (N) from junction box
- D.Green wire/bare copper (G) from junction box
- E.Black wire (L) from fixture
- F.Black wire (N) from fixture
- G.Green wire/bare copper from fixture
- H. wire connector x3

Connect wires

4

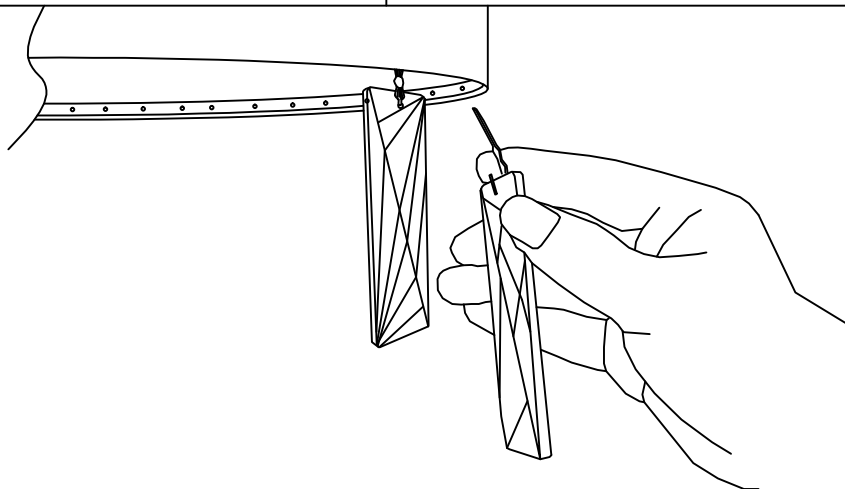


Fixed the canopy on the crossbar with ball nuts.

5



6



Warning:

- 1.Please wear gloves during the installation.
- 2.Do not install on ceiling which is damp or with wet limewater.
- 3.Cut off the electricity before installation in case of being shocked.
- 4.Make sure the connected bolt is tightly locked



before getting through the electricity.

5.Do not cut off the electricity before washing or repairing, and use the scour without causticity.

6.Please cut off the electricity and wait until the bulb gets cooling before replacing the bulb in case of being burned.