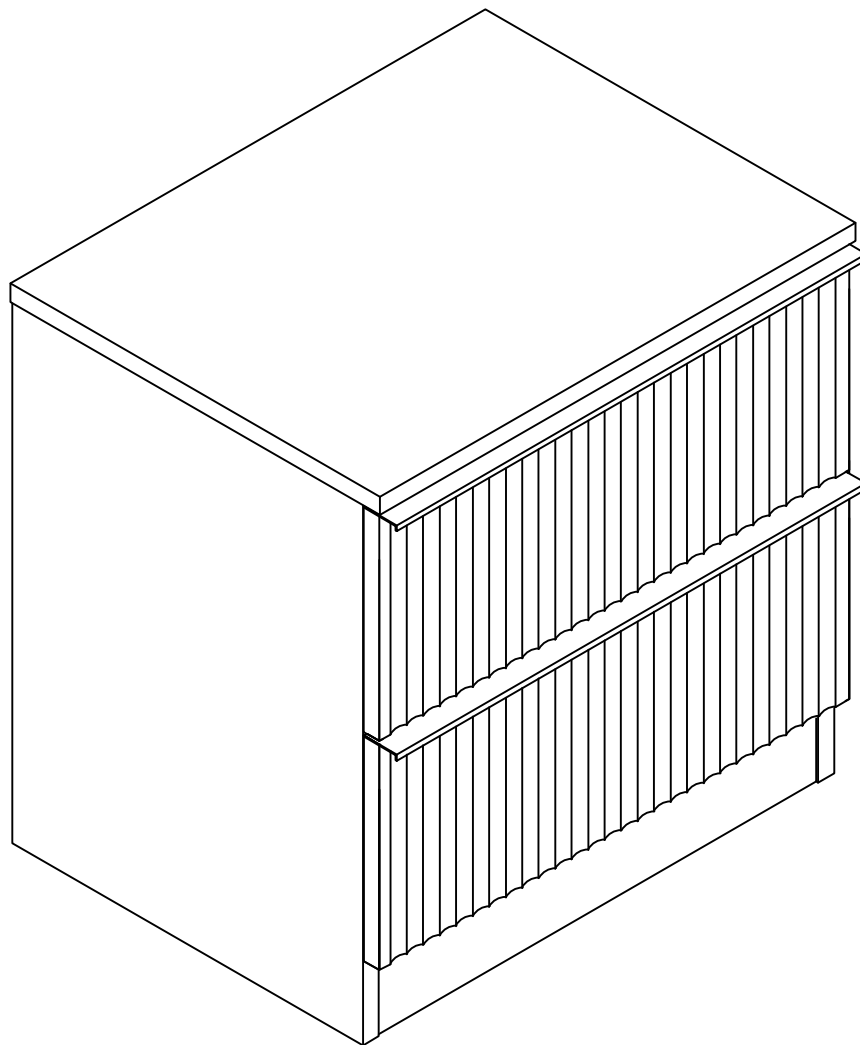


Owner Manual

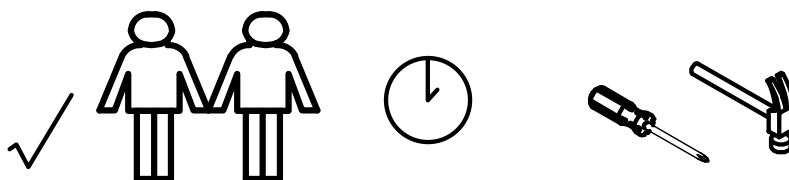
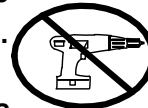
ASSEMBLY INSTRUCTION - Please Keep For Future Reference



Safety and Care Advice

IMPORTANT - Please Read This Instruction Carefully Before Assembly.

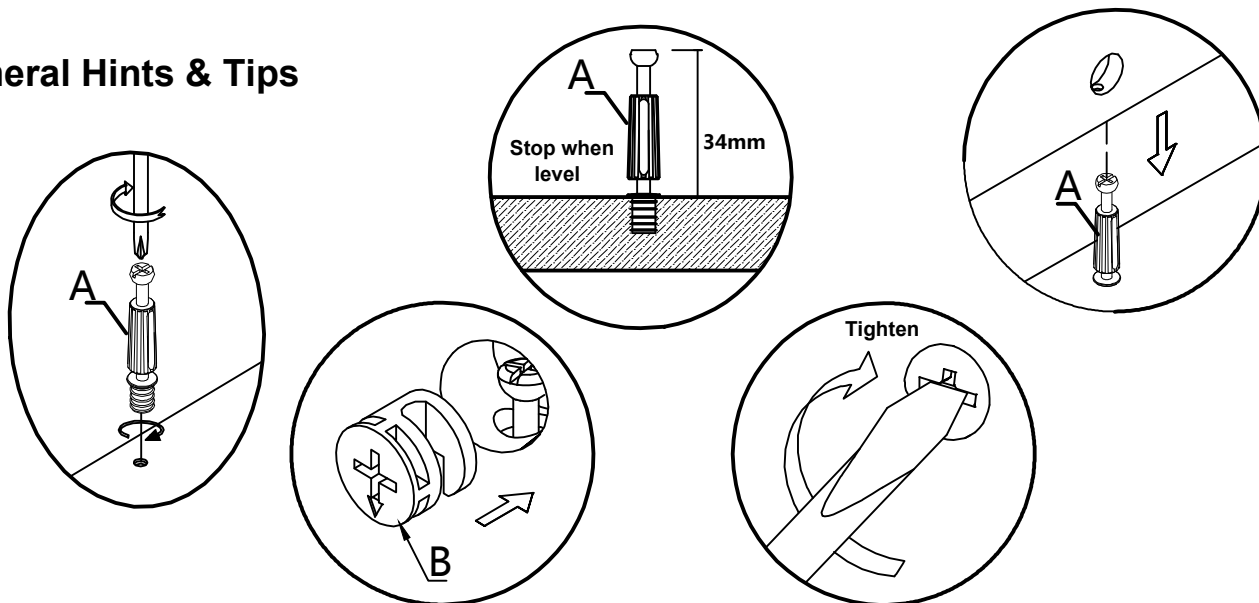
- Check you have all the components and tools listed on page 3.
- Remove all settings from the plastic bags and separate them into their groups.
- Keep children and animals away from the work area, small parts could choke if swallowed.
- Make sure you have enough space to layout the parts before assembly.
- Do not stand or put weight on the product, this could cause damage.
- Assemble the item as close to its intended position (in the same room) as possible.
- Assemble on a soft level surface to avoid damaging the unit.
- Parts of the assembly will be easier with 2 people.
- Do not use power drill/drivers for assembly, or the unit may be damaged.
- Dispose of all packaging carefully and responsibly.



CARE and MAINTENANCE

- Only clean using a damp cloth and mild detergent, do not use bleach or abrasive cleaners.
- From time to time check that there are no loose screws on this unit.
- This product should not be discarded with household waste. Take to your local authority waste disposal center.

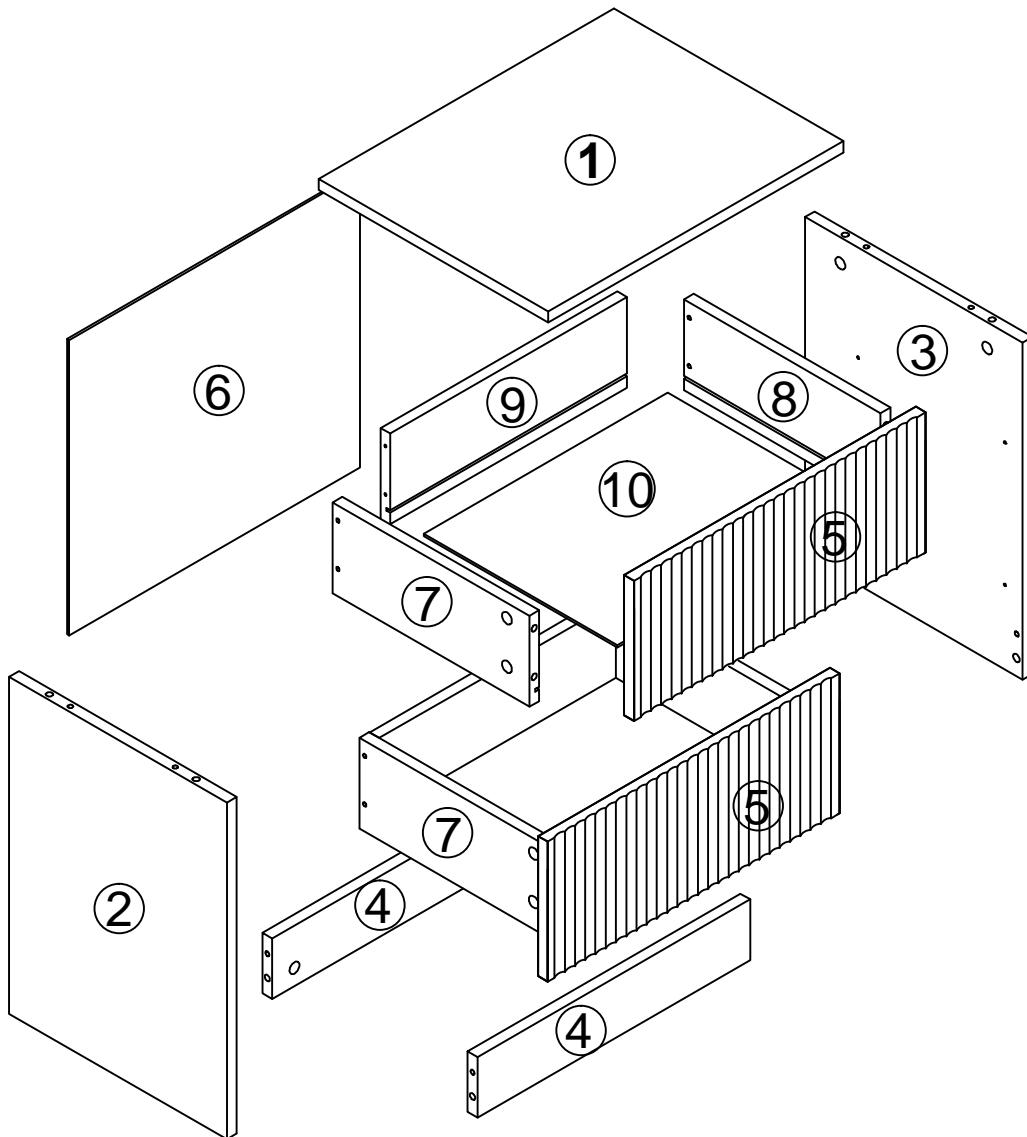
General Hints & Tips

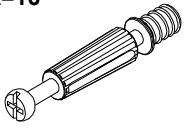
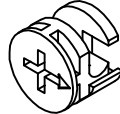
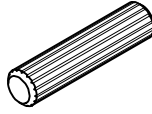

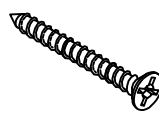
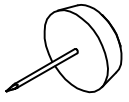

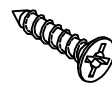

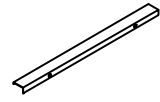


Components and Tools

IMPORTANT - Please Check If You Have All The Components and Tools.

Note: The quantities below are the correct amount to complete the assembly. In some cases more pieces may be supplied than are required.

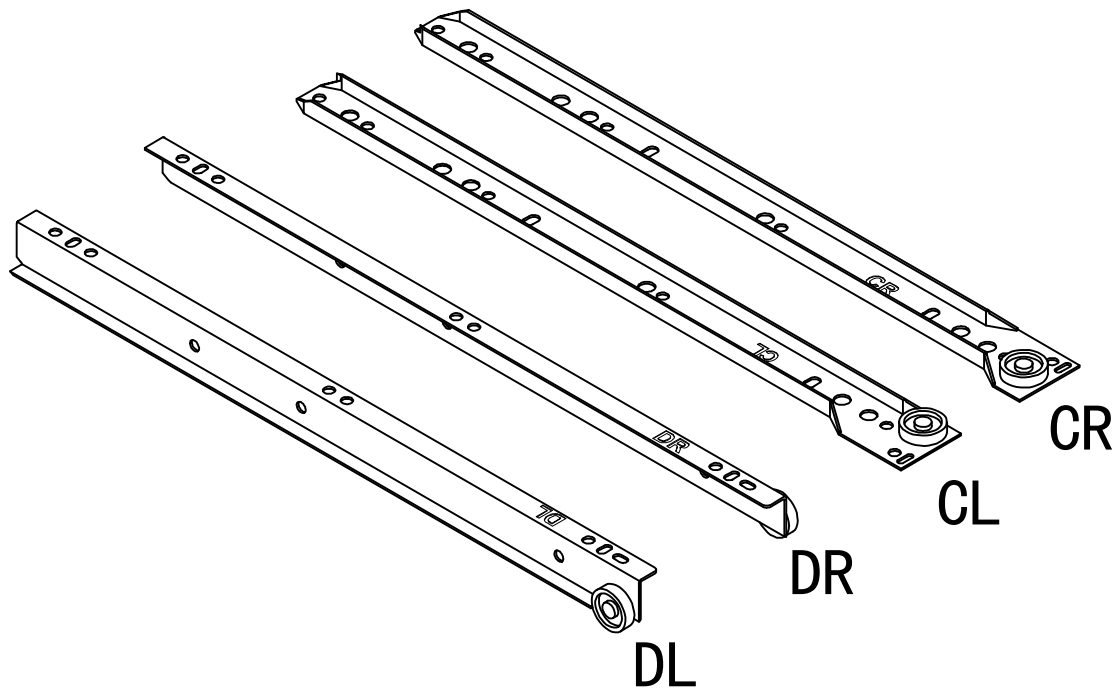


<p>A=16</p>  <p>Peg M6*34mm</p>	<p>B=16</p>  <p>Lock M15*12mm</p>	<p>C=8</p>  <p>Dowel M8*30mm</p>	<p>D=16</p>  <p>Screw M3.5*14mm</p>	<p>E=8</p>  <p>Screw M4*38</p>	<p>F=4</p>  <p>Plastic Feet</p>
<p>G=12</p>  <p>Pin</p>	<p>H=4</p>  <p>Screw M3.5*12mm</p>	<p>CR CL DR DL=2</p>  <p>Drawer Runner</p>	<p>I=2</p>  <p>Handle F256=442mm</p>		

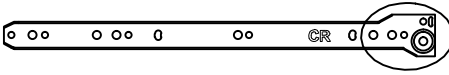
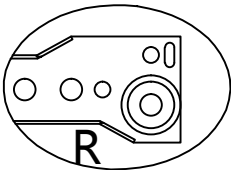
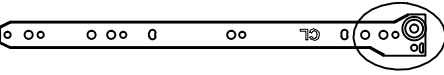
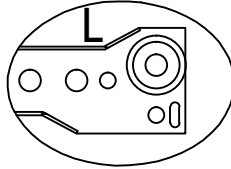

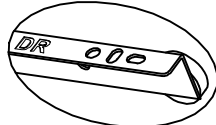
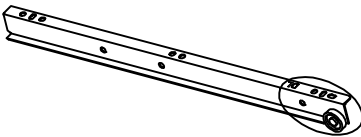
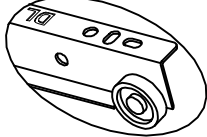
Drawer Runner Instruction

IMPORTANT - Please Read It Carefully.

NOTE:1 PAIR DRAWER RUNNER INCLUDES 4 PIECES.



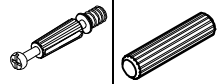
Fittings (not to scale)

NO.	DESCRIPTION	QTY		
CR	Outer Drawer Runner - Right	2PCS		
CL	Outer Drawer Runner - Left	2PCS		
DR	Inner Drawer Runner - Right	2PCS		
DL	Inner Drawer Runner - Left	2PCS		

Assembly Instruction

Step 1

A=2 C=2

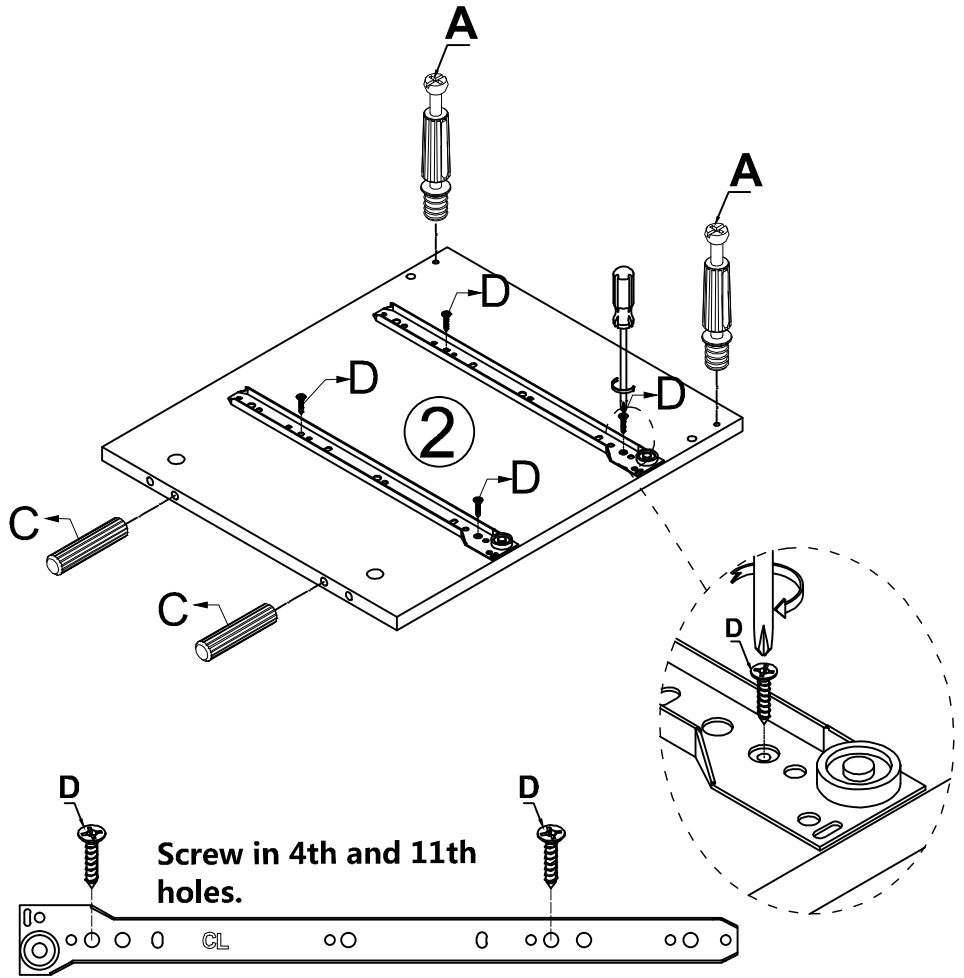
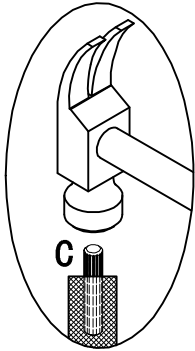


Peg M6*34mm Dowel M6*30mm

D=4 CL=2

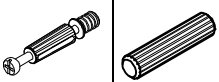


Screw M3.5*14mm Runner



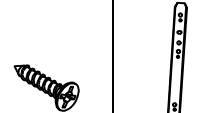
Step 2

A=2 C=2

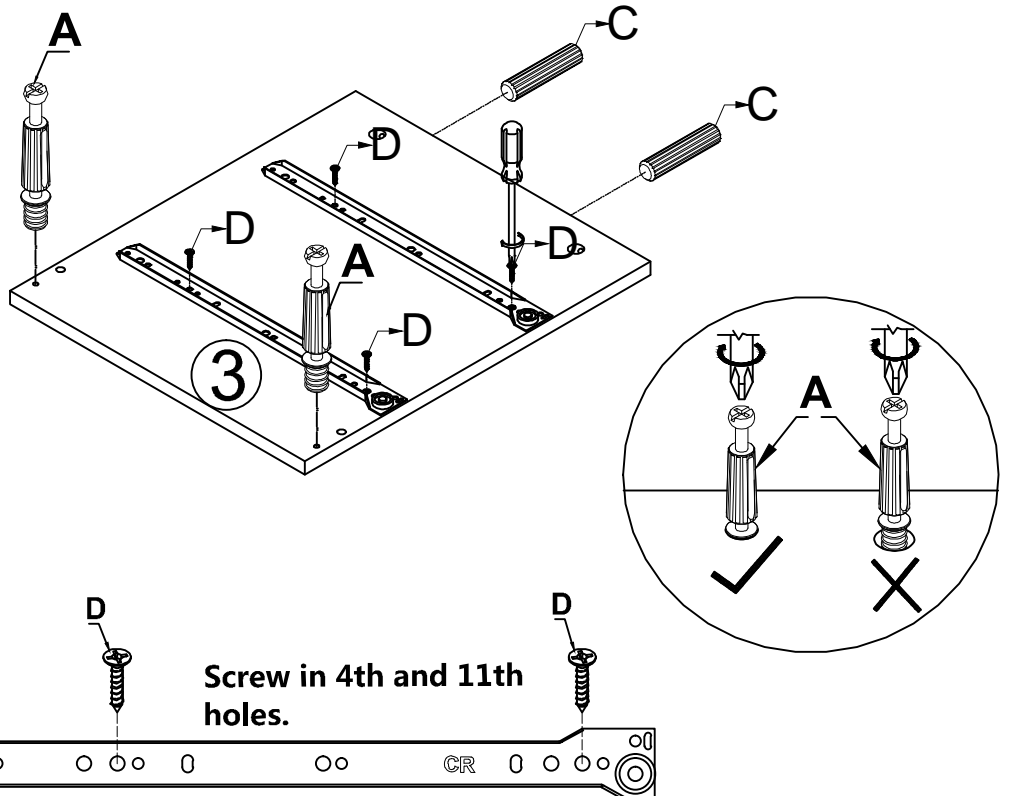


Peg M6*34mm Dowel M6*30mm

D=4 CR=2



Screw M3.5*14mm Runner

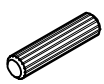
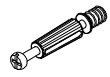


Assembly Instruction

Step 3

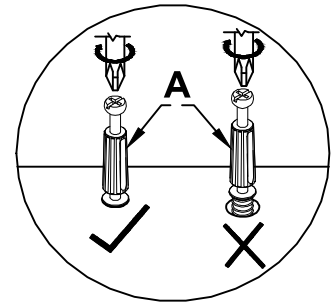
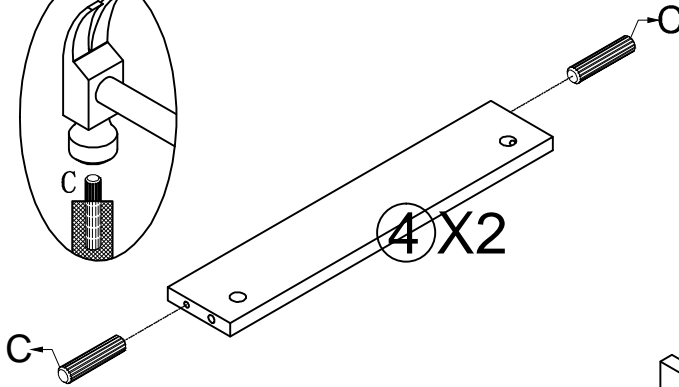
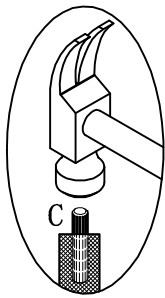
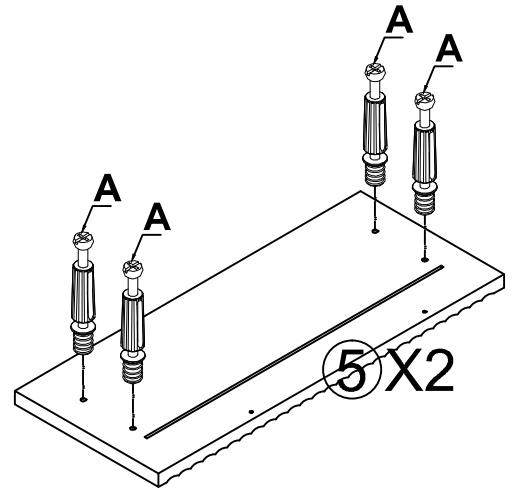
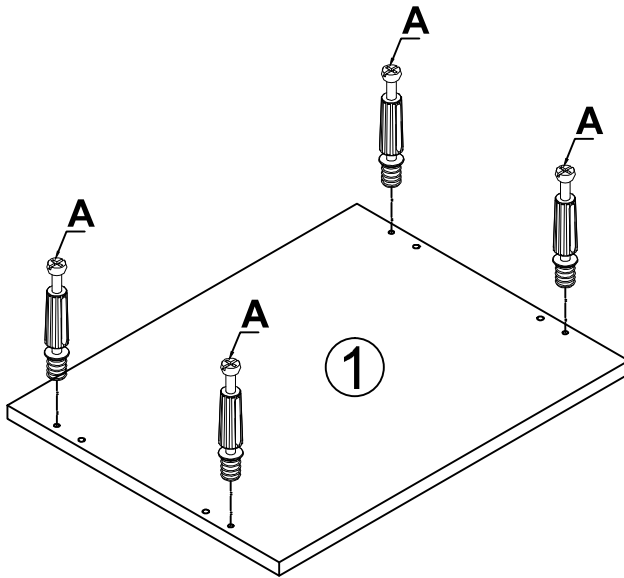
A=12

C=4



Peg
M6*34mm

Dowel
M6*30mm

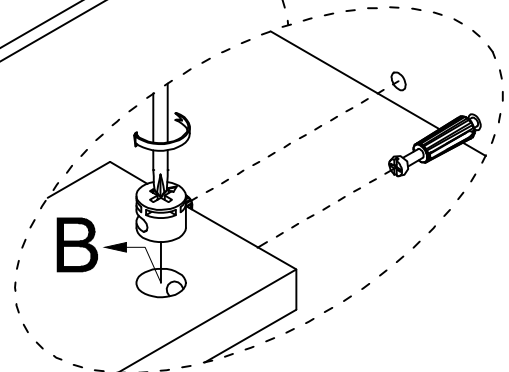
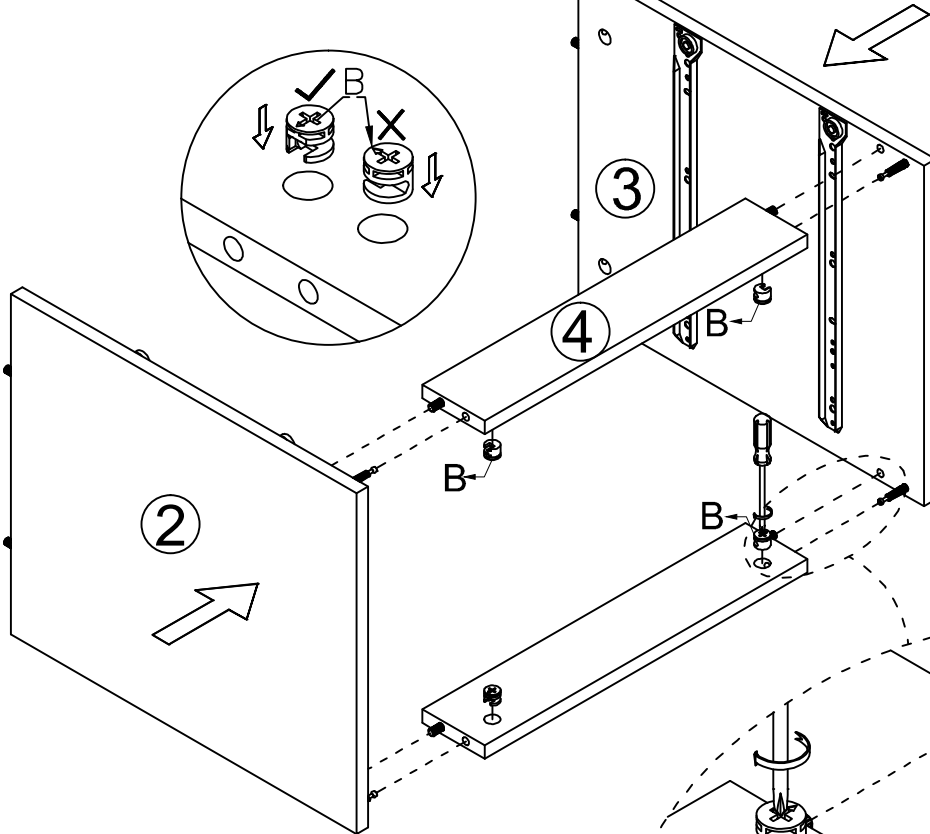
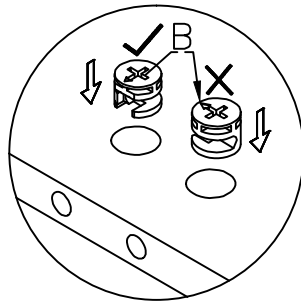


Step 4

B=4



Lock



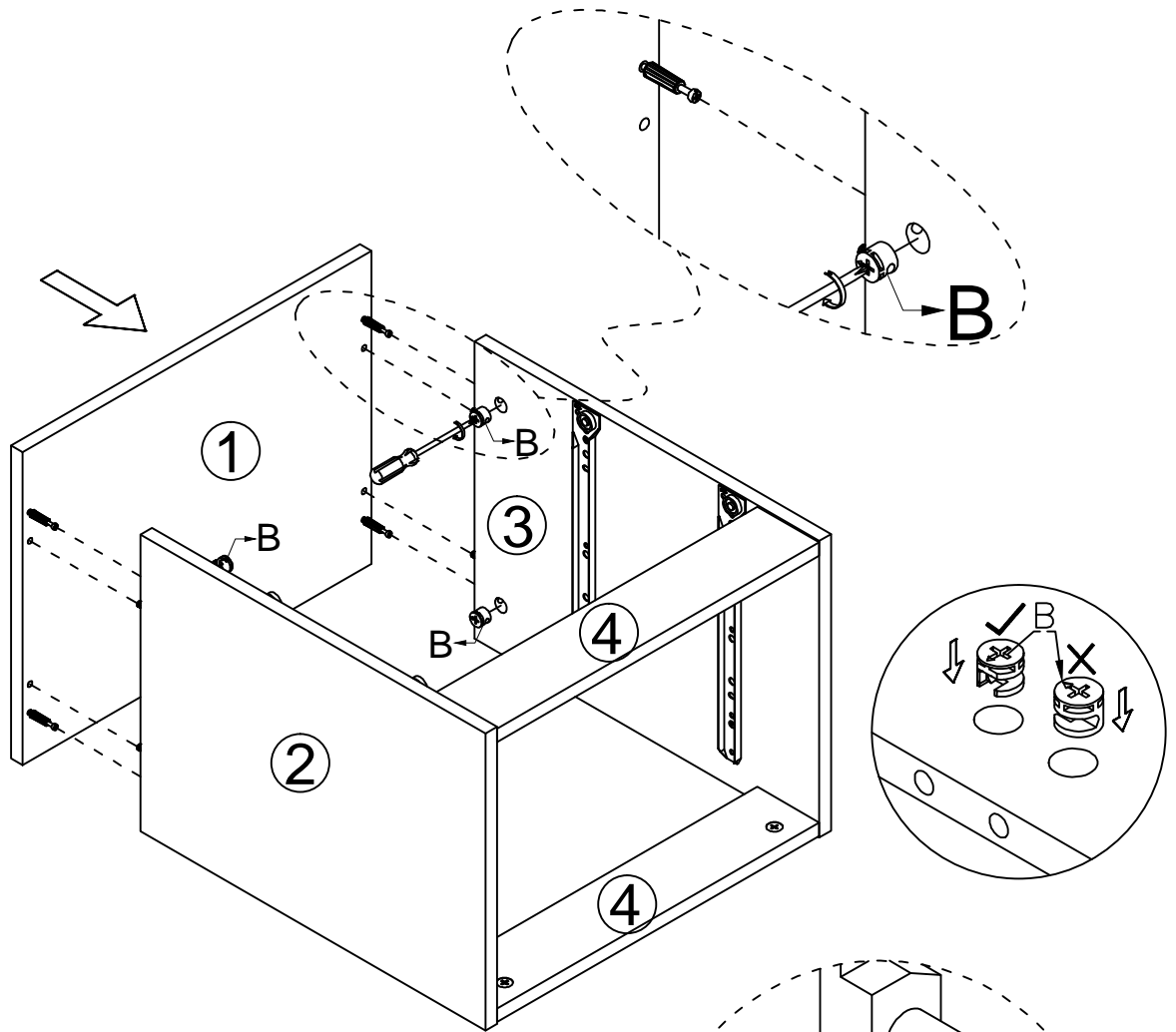
Assembly Instruction

Step 5

B=4



Lock

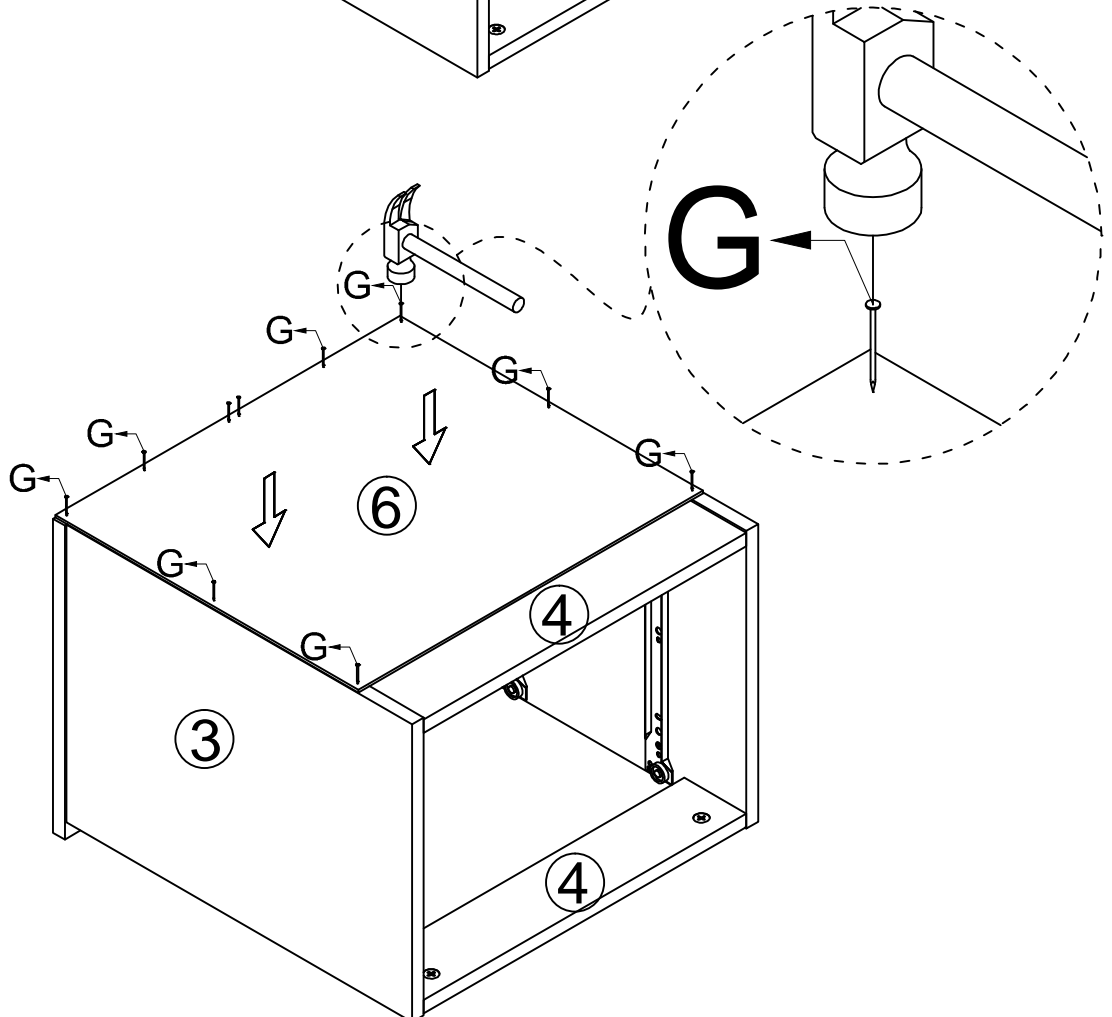


Step 6

G=12



Pin



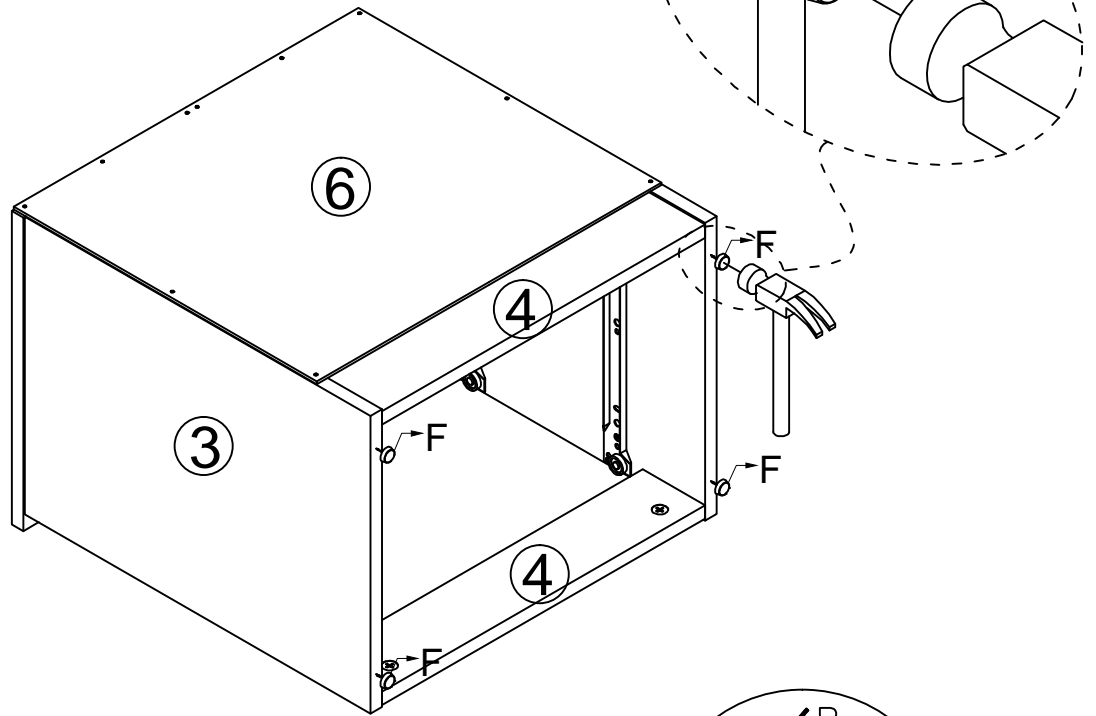
Assembly Instruction

Step 7

F=4



Plastic Foot

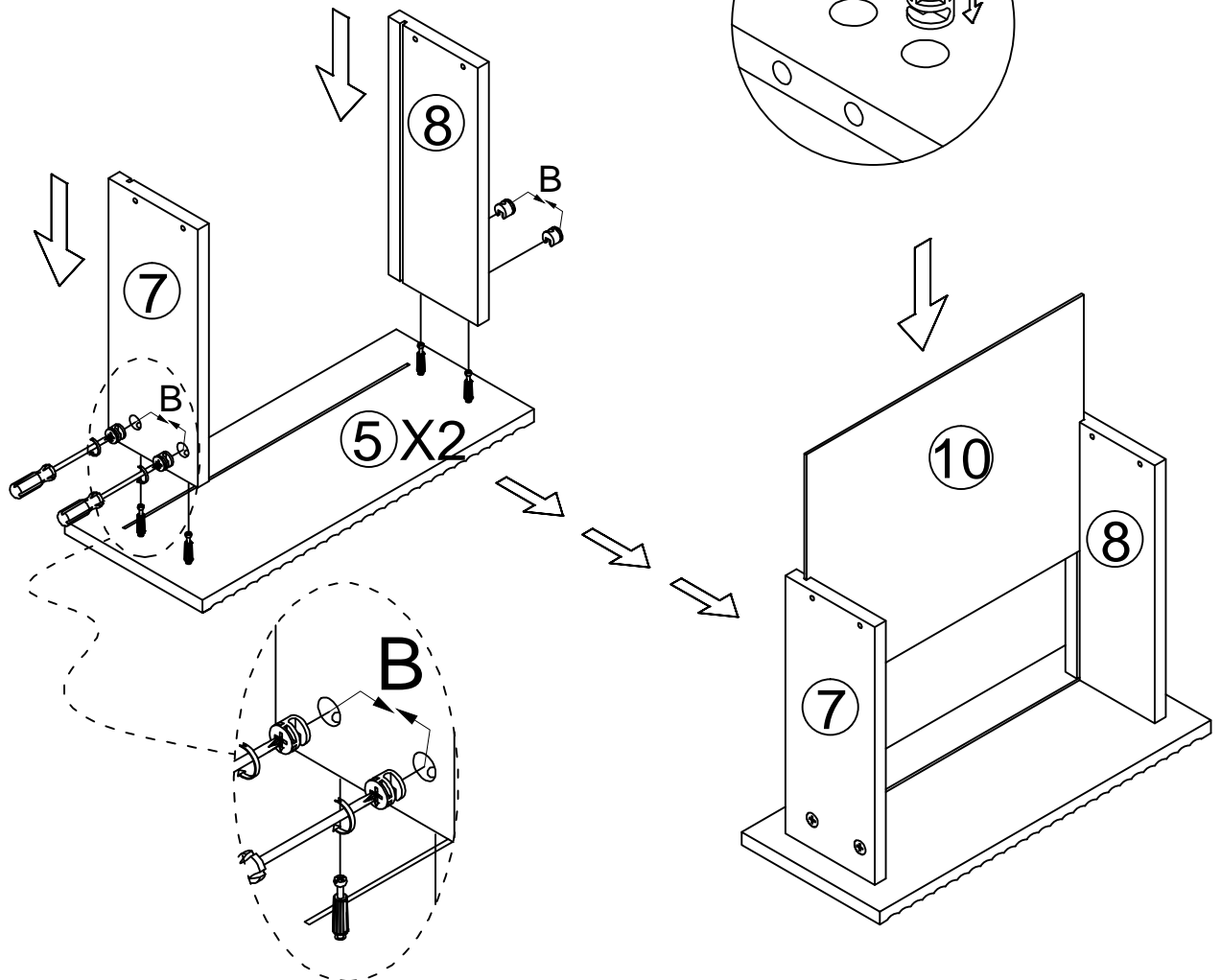


Step 8

B=8



Lock



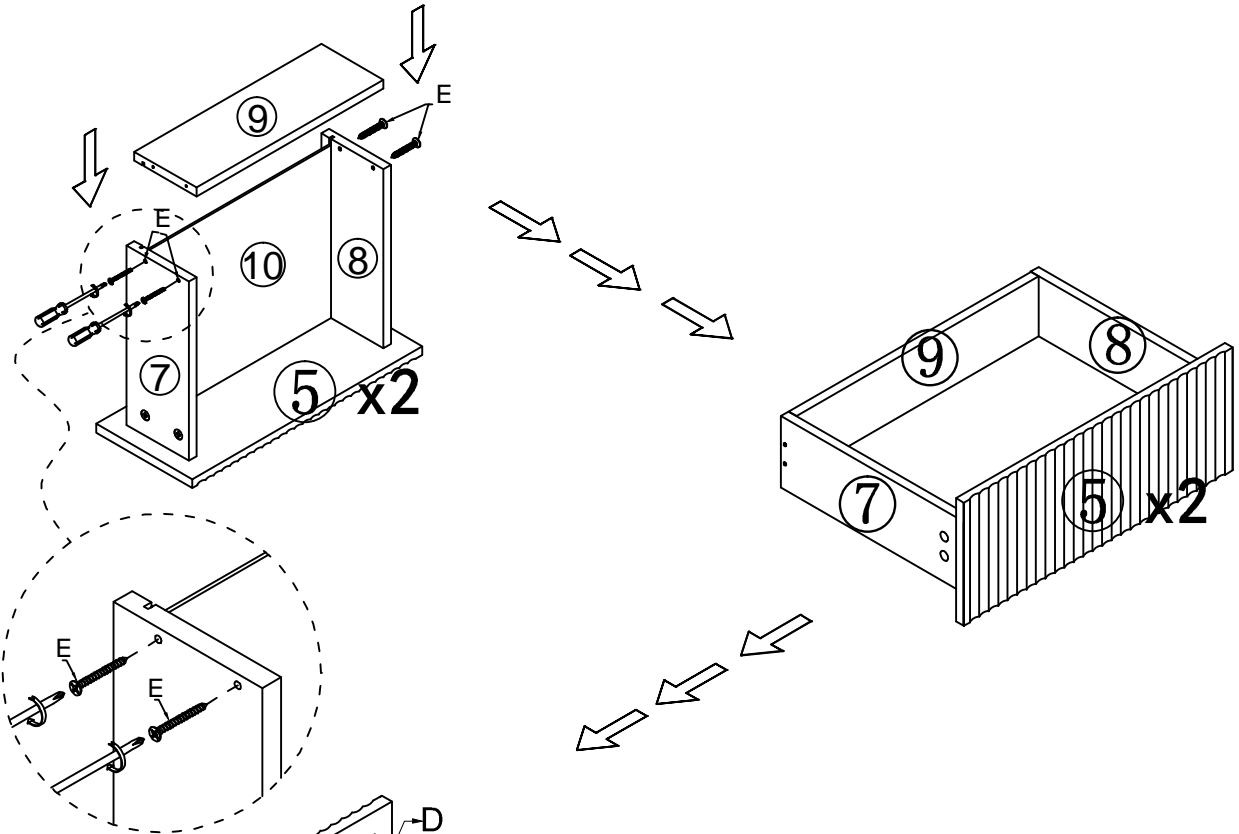
Assembly Instruction

Step 9

E=8



Screw
M4*38



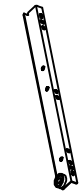
Step 10

D=8



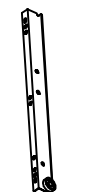
Screw
M3.5*14mm

DR=2



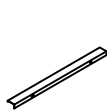
Runner

DL=2



Runner

I=2

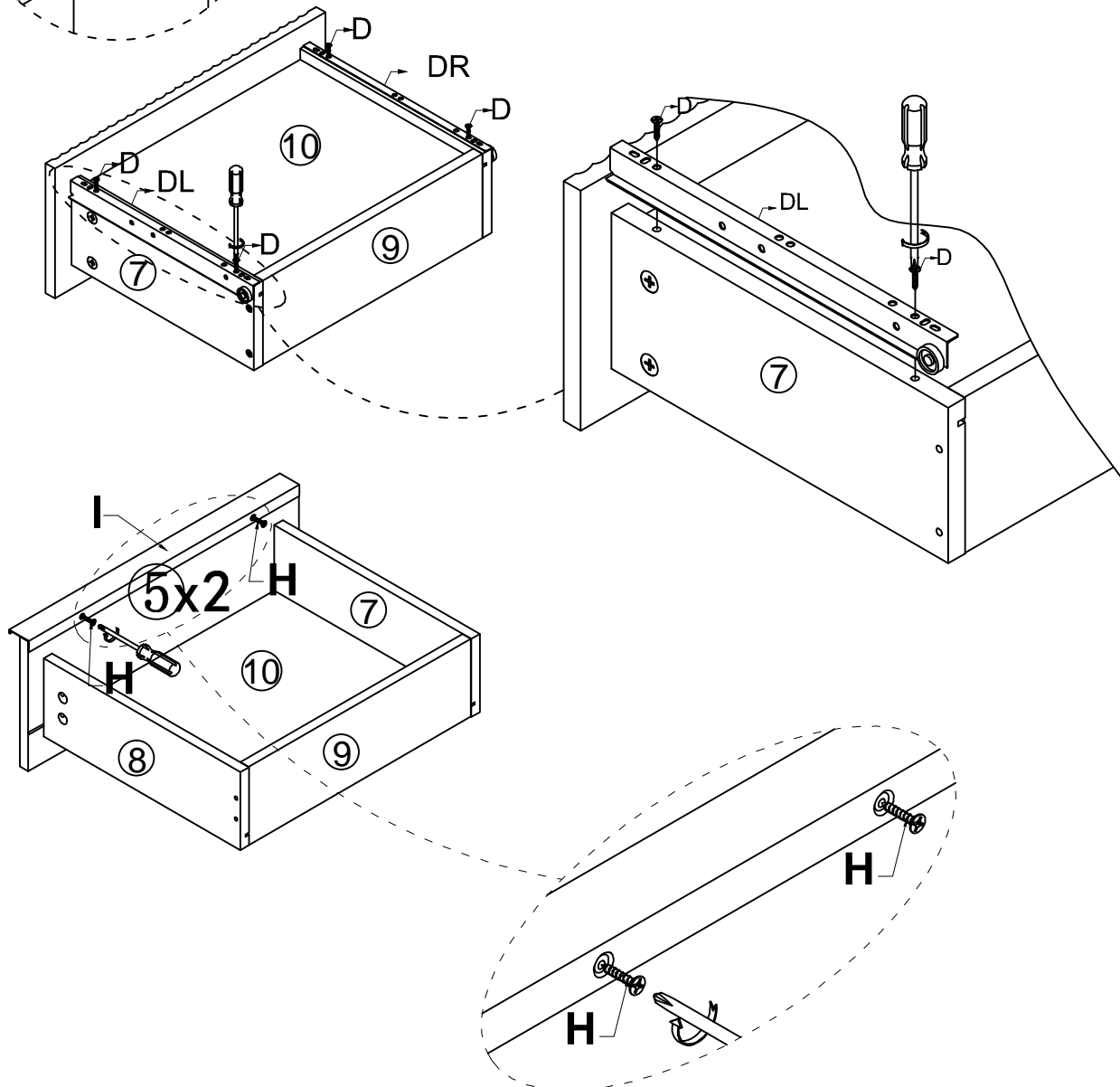


Handle
L=442mm

H=4

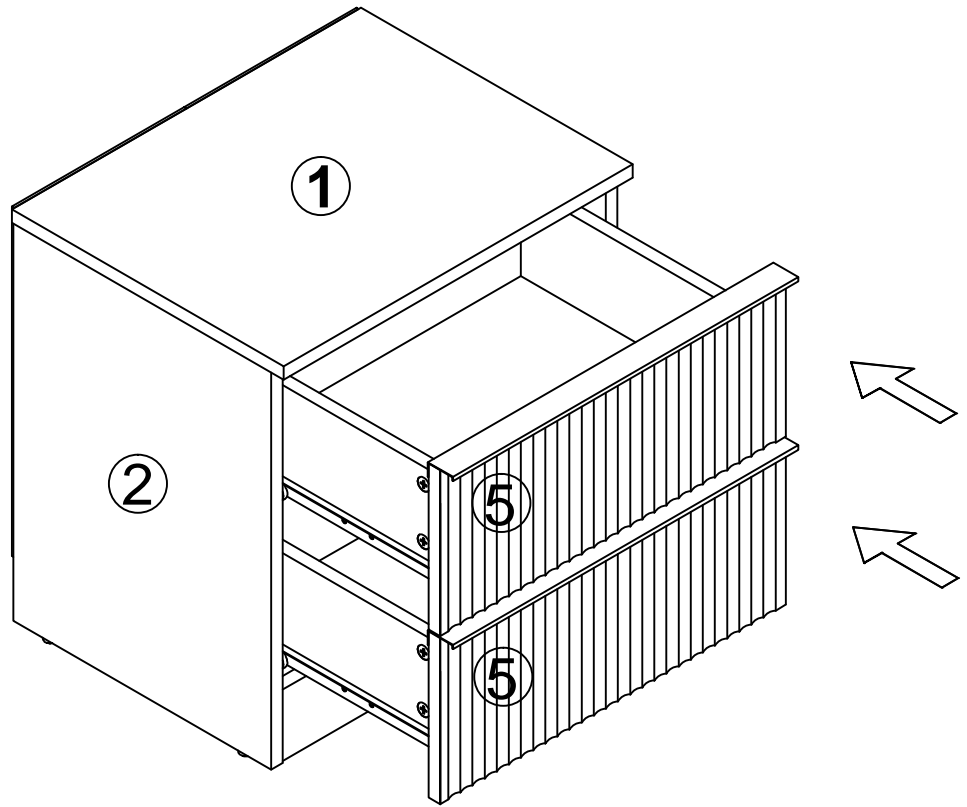


Screw
M3.5*12mm



Assembly Instruction

Step 11



Step 12

