

# ASSEMBLY GUIDE

---

## SWIVEL CHAIR ASSEMBLY GUIDE



**We have updated a more detailed manual and installation videos to enhance our service. The manual you received is the improved version. If other packages in your order lack this version or you need assistance, please contact us via email : [aftersales@sugoldhome.com](mailto:aftersales@sugoldhome.com)**

**We also offer a free two-year warranty. Just send us your order number, email, and city to register, and we'll handle it for you.**

# NOTICE



## Please Read Carefully Before Installation

After-Sales Service Guidelines

Dear customer, thank you very much for your support!



### PLEASE DO NOT RETURN TO THE STORE!

If a part is lost or damaged, we will ship a replacement part free of charge, please leave your order number or order information.

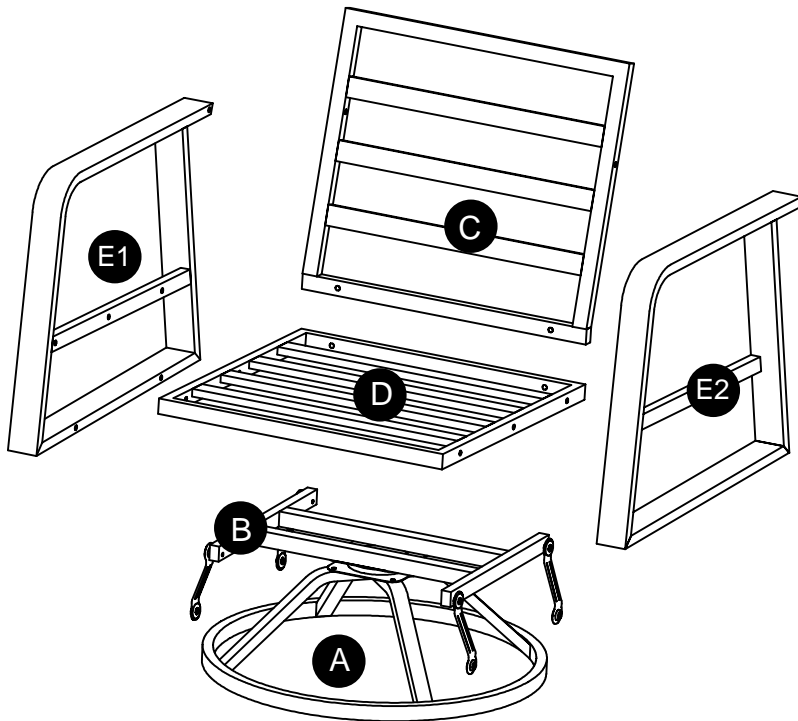
If you have purchased a patio conversation set, the packages may arrive at different times. For detailed tracking information, please contact us.



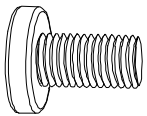
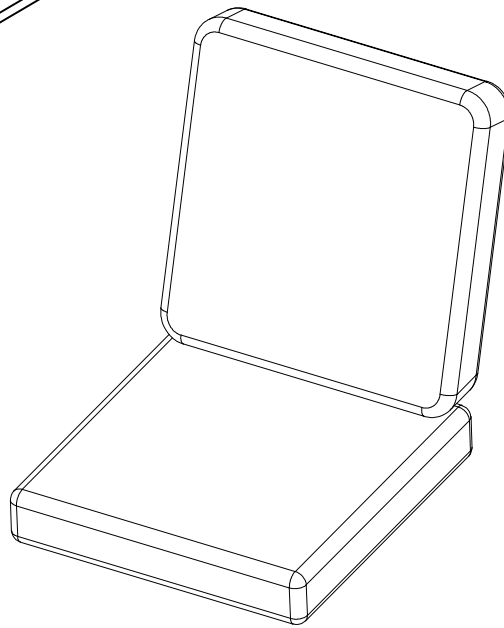
Assembly Video

# PARTS LIST

(Swivel Chair)

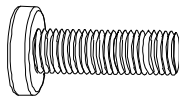


- (A) Chair Base x1**
- (B) U-shaped Fitting x1**
- (C) Chair Back x1**
- (D) Seat Panel x1**
- (E1) Right Arm x1**  
(when seated)
- (E2) Left Arm x1**  
(when seated)



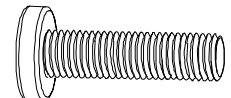
**F**

Screw (M6x15mm)



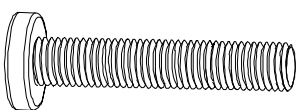
**G**

Screw (M6x28mm)



**H**

Screw (M6x35mm)



**I**

Screw (M6x45mm)



**J**

Matel Washers



**K**

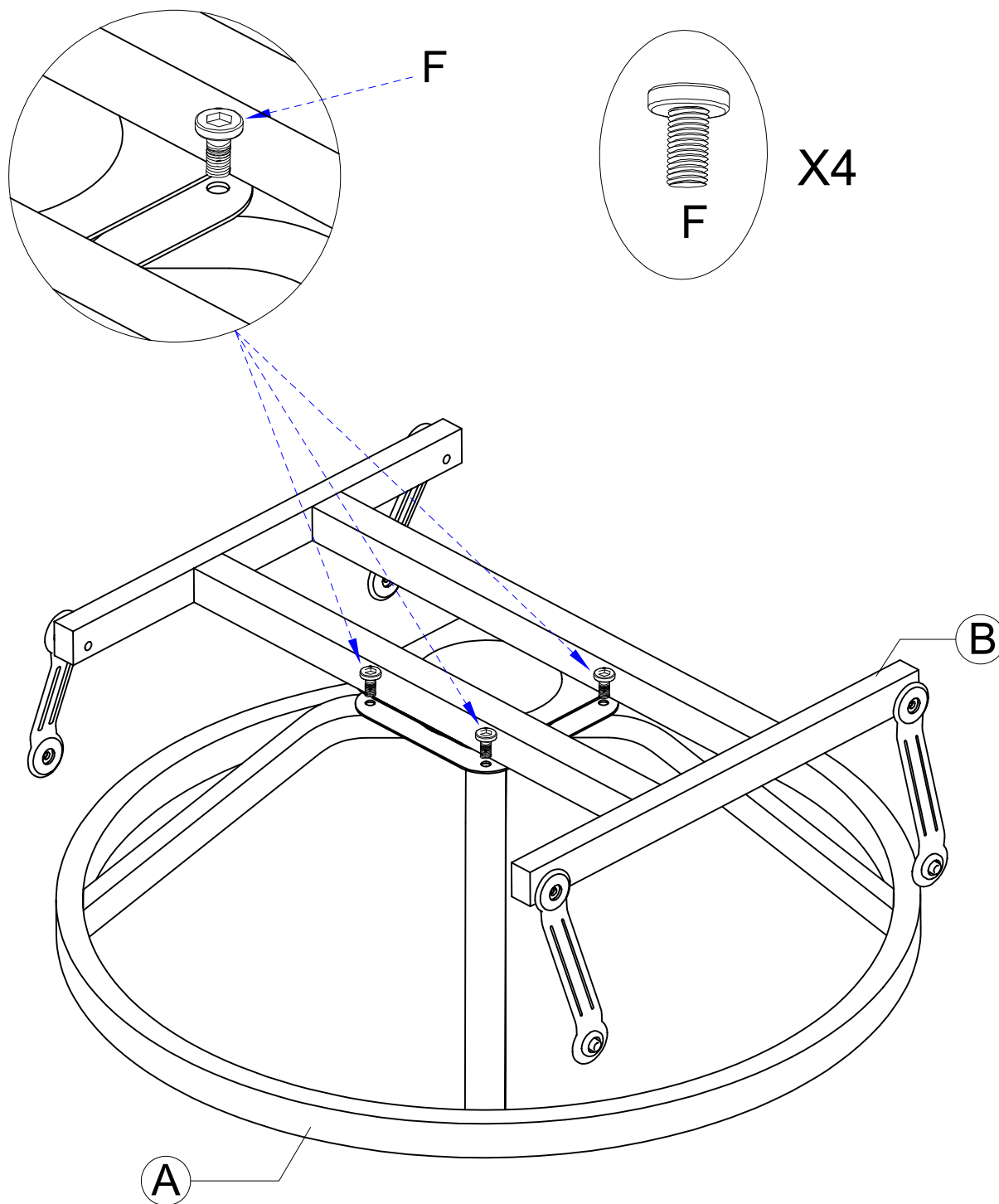
Allan Wrench x1

# Swivel Chair Assembly Instruction



Do not fully tighten the screws during initial assembly.  
Fully tighten screws only once all pieces which are correctly assembled.

## STEP 1

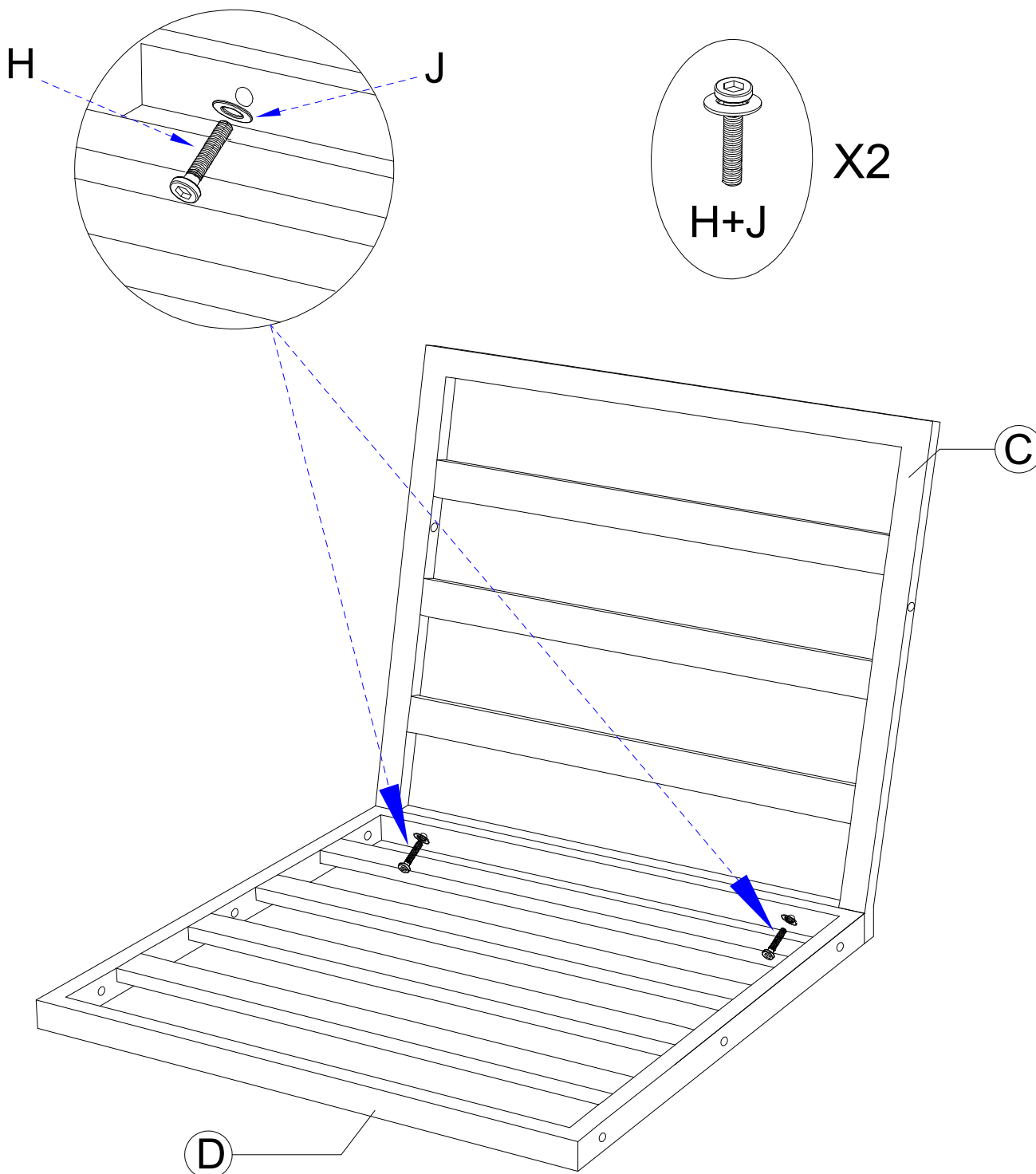


# Swivel Chair Assembly Instruction



Do not fully tighten the screws during initial assembly.  
Fully tighten screws only once all pieces which are correctly assembled.

## STEP 2

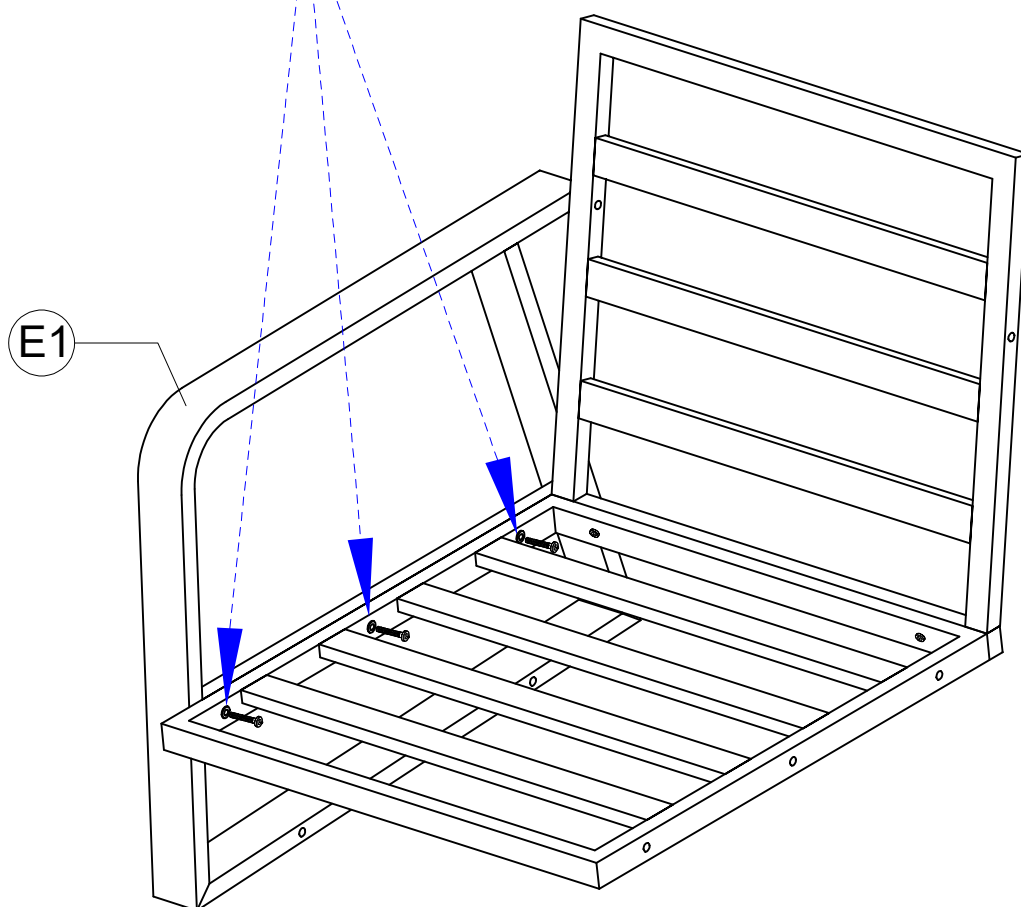
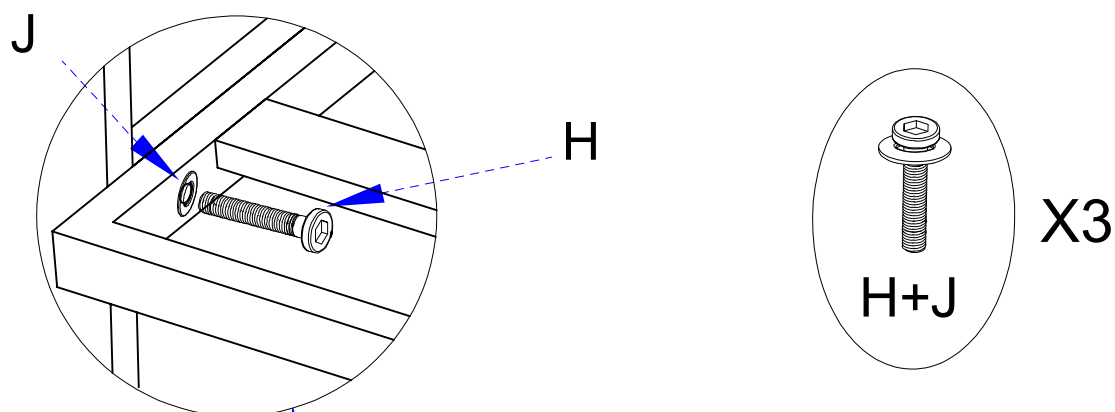


# Swivel Chair Assembly Instruction



Do not fully tighten the screws during initial assembly.  
Fully tighten screws only once all pieces which are correctly assembled.

## STEP 3

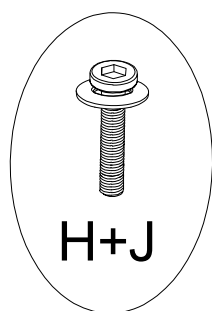


# Swivel Chair Assembly Instruction



Do not fully tighten the screws during initial assembly.  
Fully tighten screws only once all pieces which are correctly assembled.

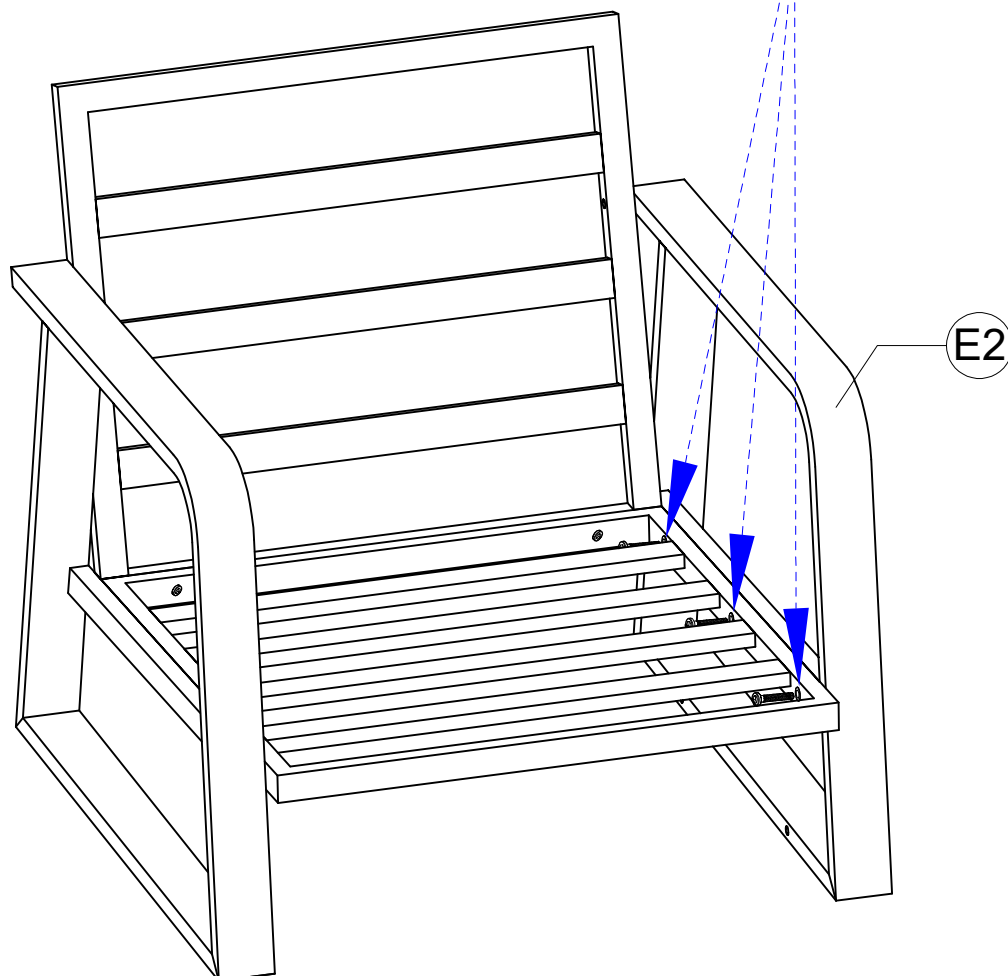
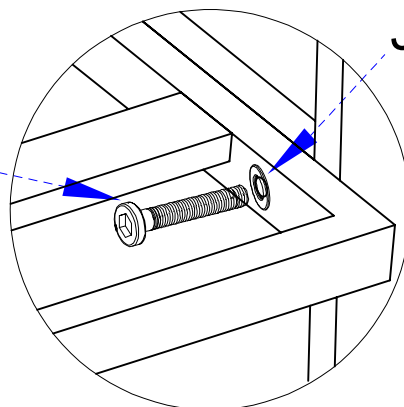
## STEP 4



X3

H

J

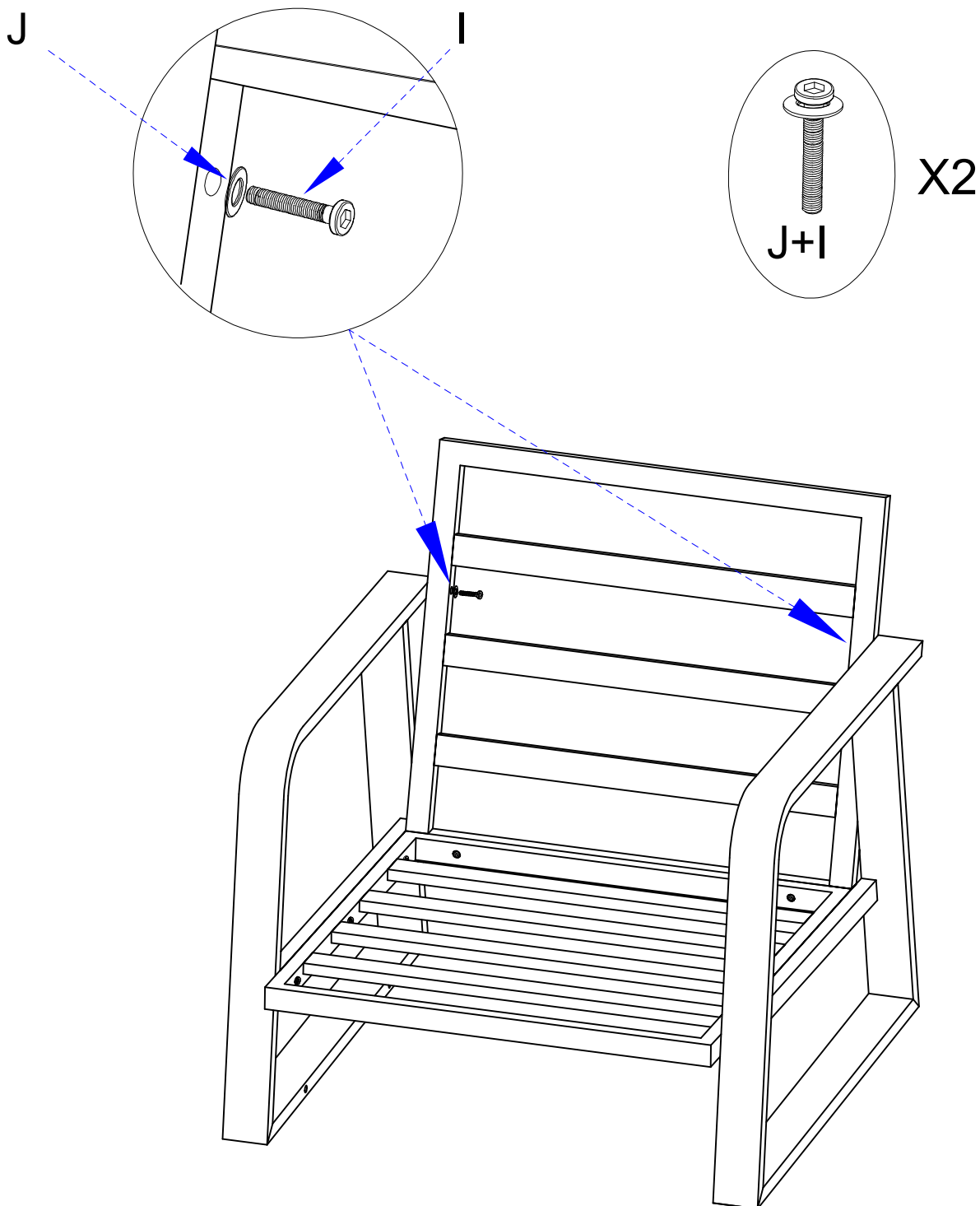


# Swivel Chair Assembly Instruction



Do not fully tighten the screws during initial assembly.  
Fully tighten screws only once all pieces which are correctly assembled.

## STEP 5

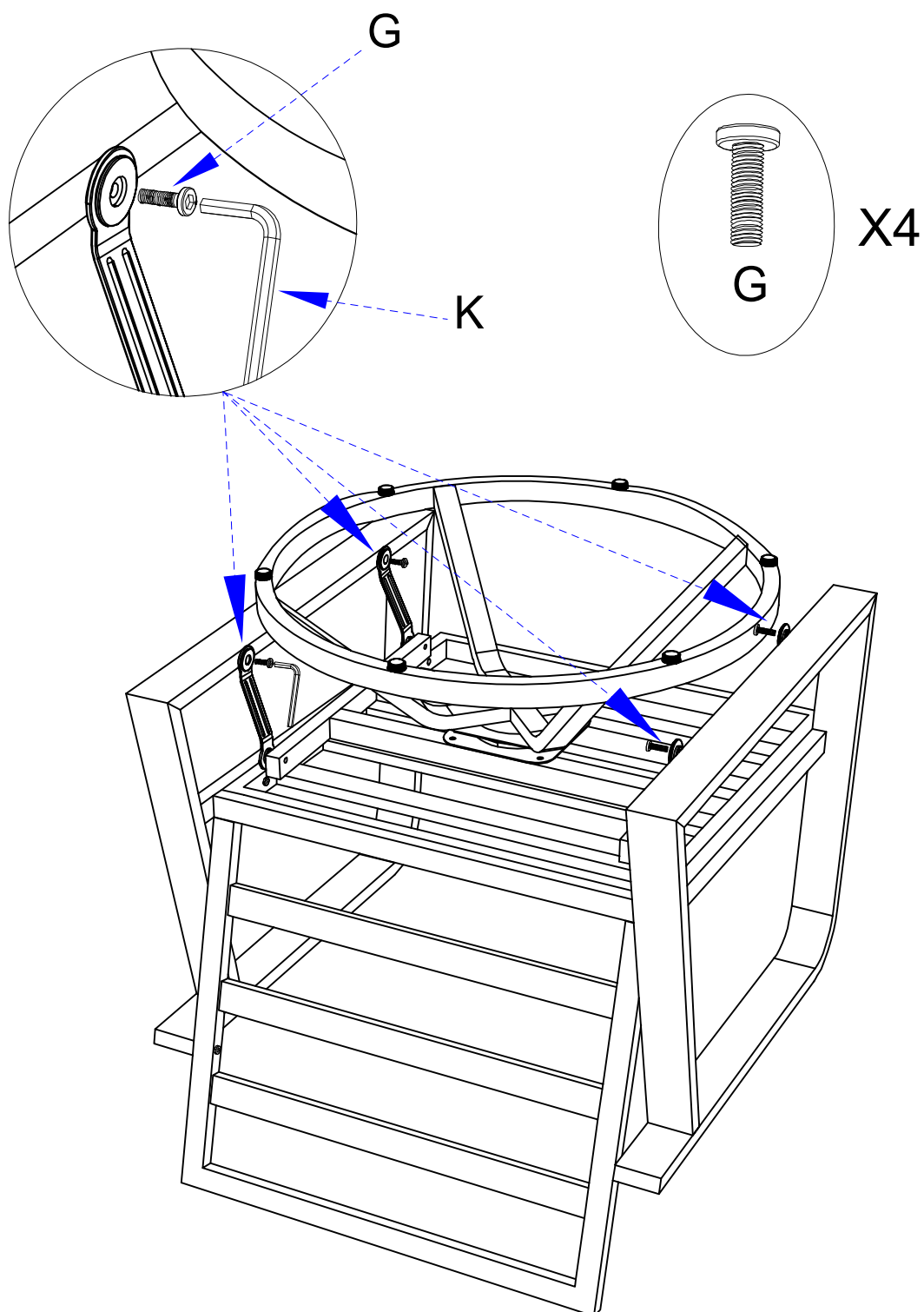


# Swivel Chair Assembly Instruction



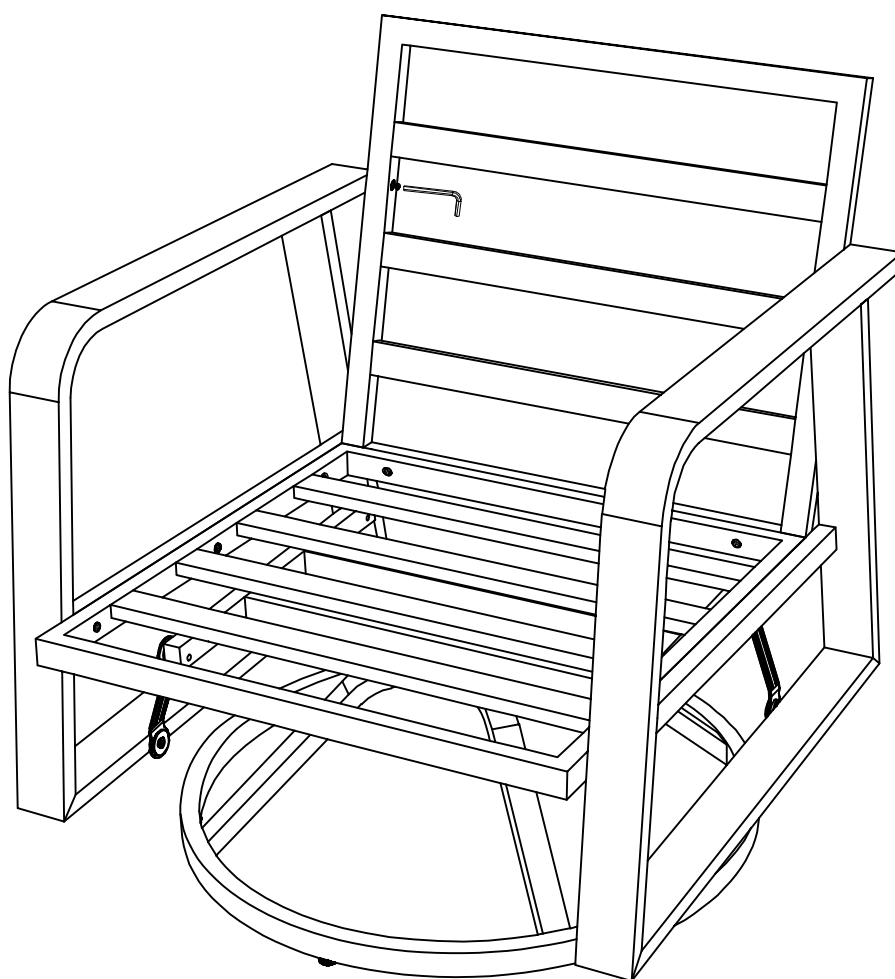
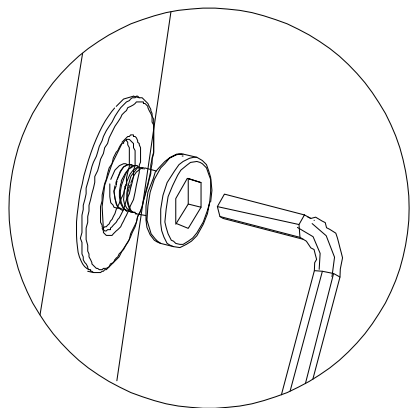
Do not fully tighten the screws during initial assembly.  
Fully tighten screws only once all pieces which are correctly assembled.

## STEP 6

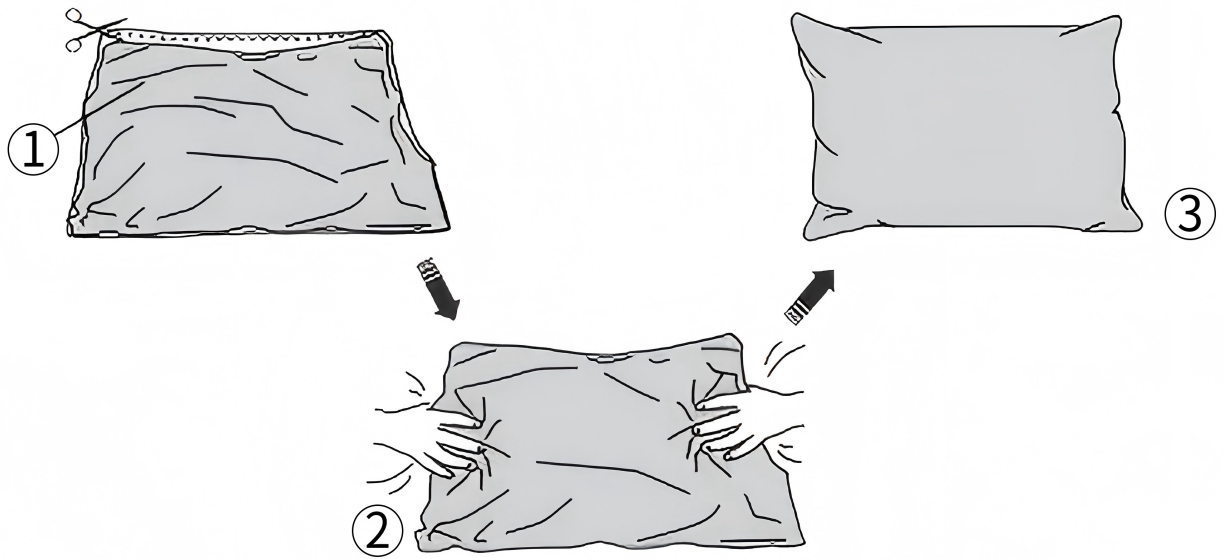


# Swivel Chair Assembly Instruction

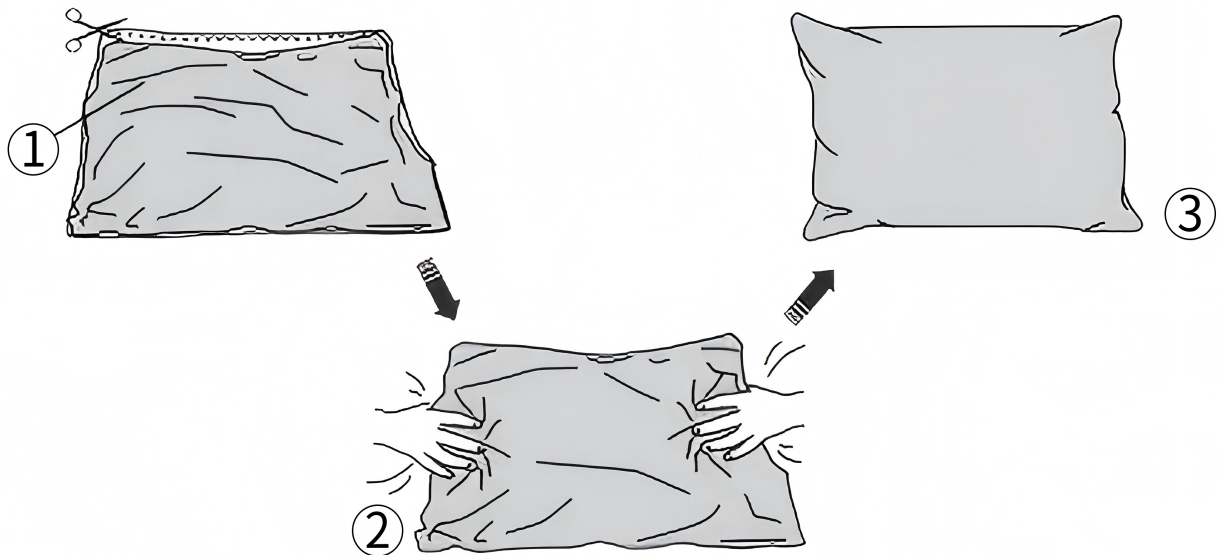
**FINISH**



**Fully tighten all the screws !**



**Unbox and fluff your cushion, then wait 48 hours for full rebound.**



**Unbox and fluff your cushion, then wait 48 hours for full rebound.**